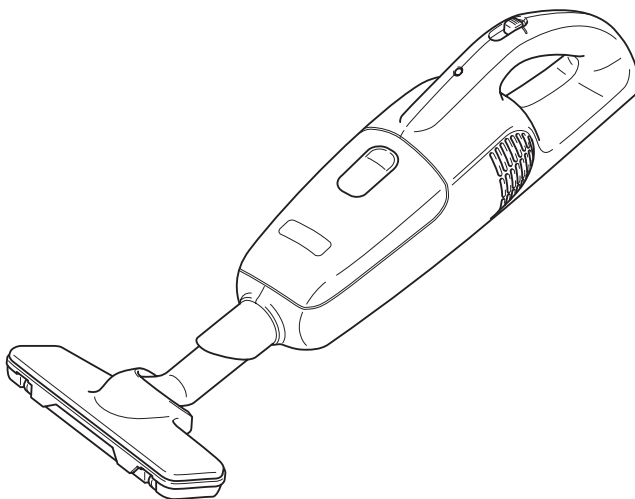
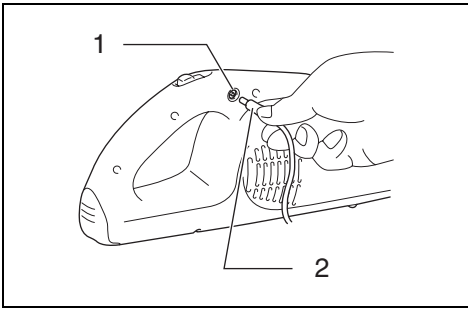




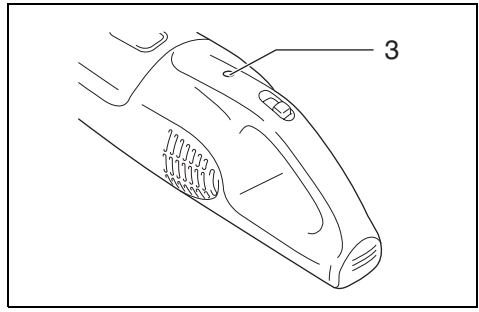
<b>GB</b>	<b>Cordless Cleaner</b>	<b>Instruction Manual</b>
<b>F</b>	<b>Aspirateur sans fil</b>	<b>Manuel d'instructions</b>
<b>D</b>	<b>Akku-Staubsauger</b>	<b>Betriebsanleitung</b>
<b>I</b>	<b>Aspiratore a batteria</b>	<b>Istruzioni per l'uso</b>
<b>NL</b>	<b>Accustofzuiger</b>	<b>Gebruiksaanwijzing</b>
<b>E</b>	<b>Aspirador a batería</b>	<b>Manual de instrucciones</b>
<b>P</b>	<b>Aspirador de Pó a Bateria</b>	<b>Manual de instruções</b>
<b>DK</b>	<b>Akku-støvsuger</b>	<b>Brugsanvisning</b>
<b>GR</b>	<b>Ηλεκτρικό σκουπάκι χωρίς καλώδιο</b>	<b>Οδηγίες χρήσεως</b>

**4076D**

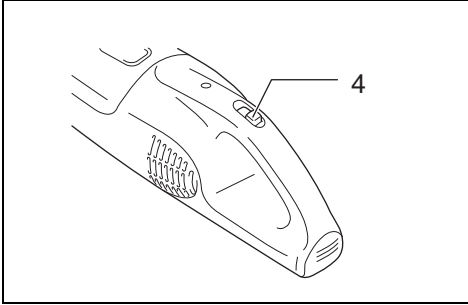




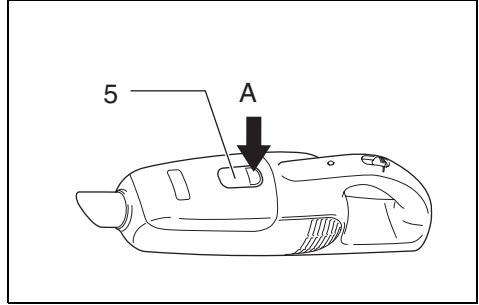
1



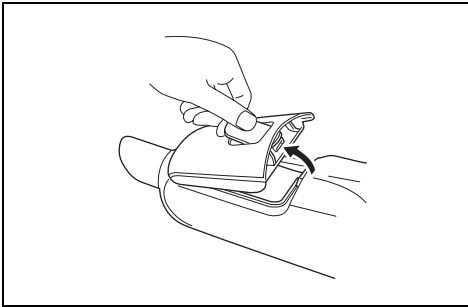
2



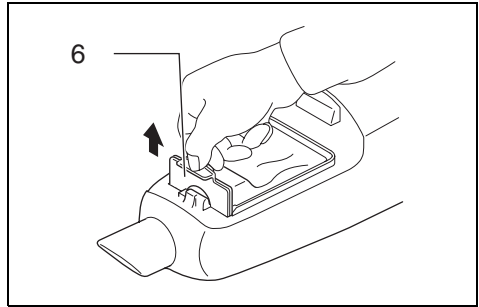
3



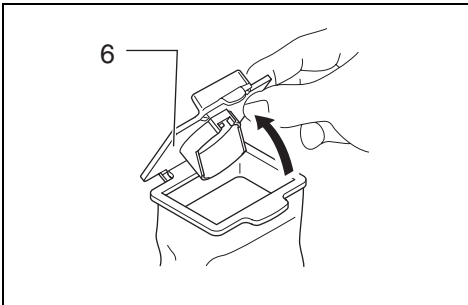
4



5



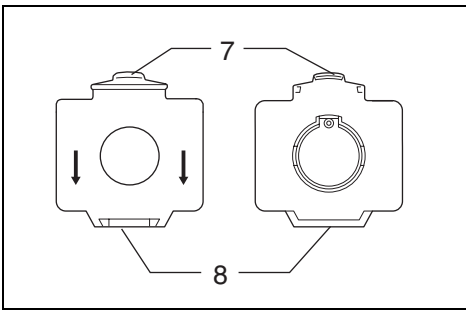
6



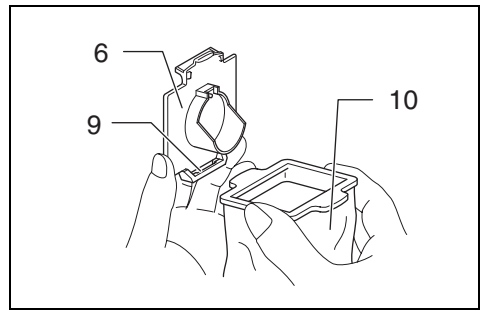
7



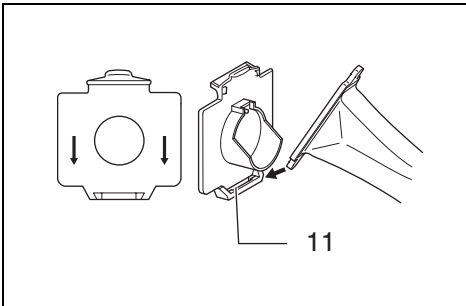
8



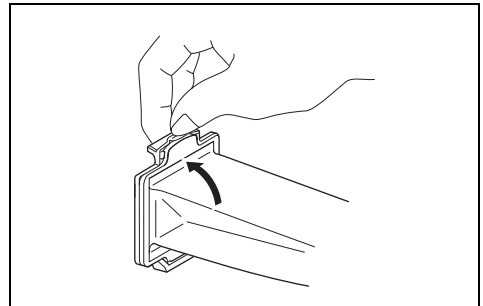
9



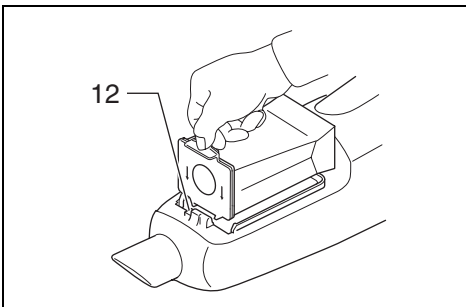
10



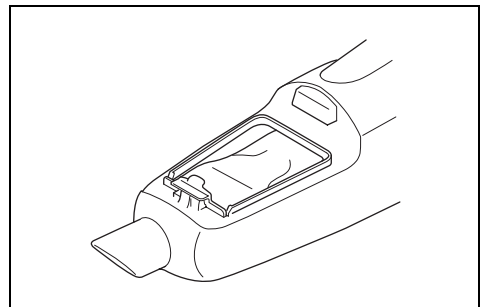
11



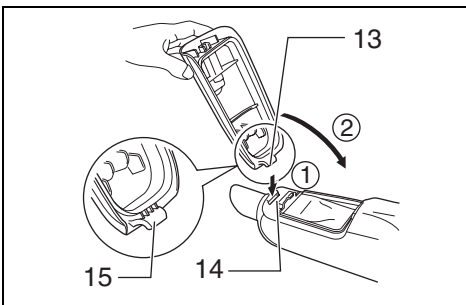
12



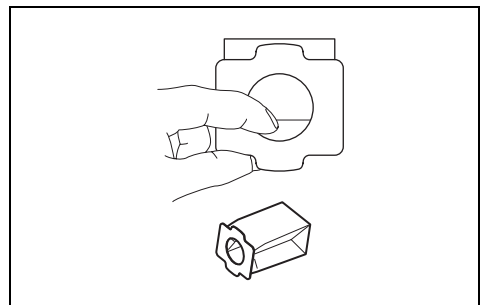
13



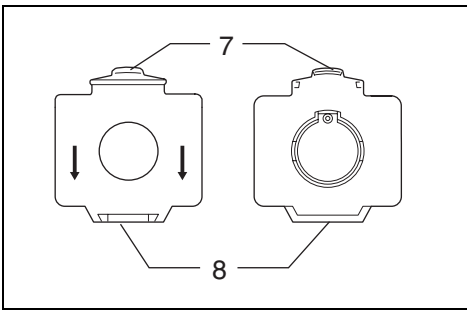
14



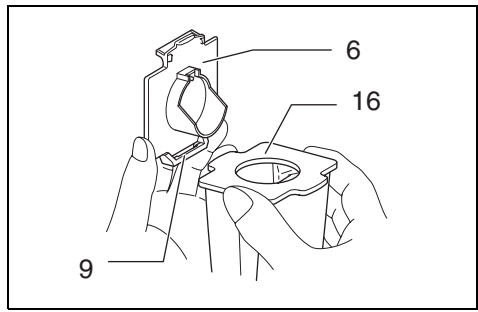
15



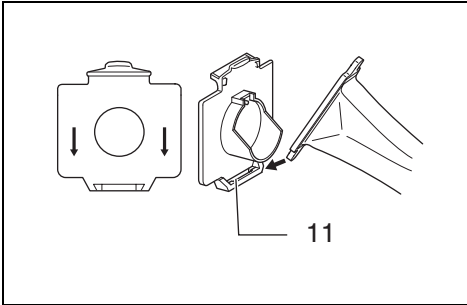
16



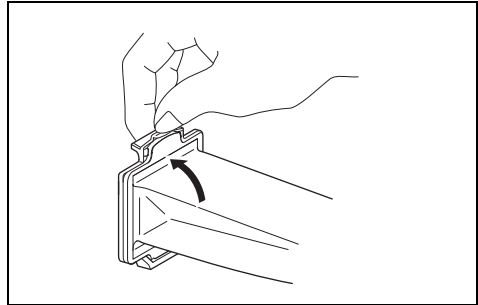
**17**



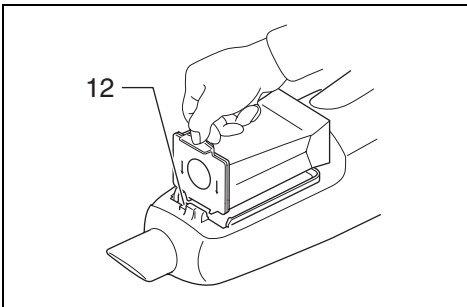
**18**



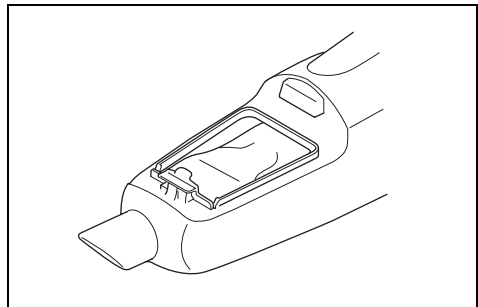
**19**



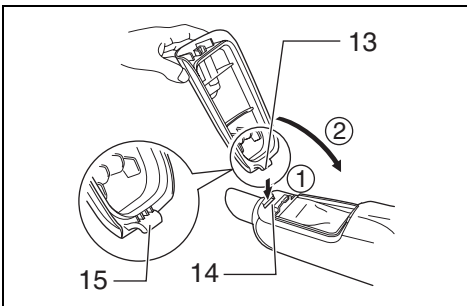
**20**



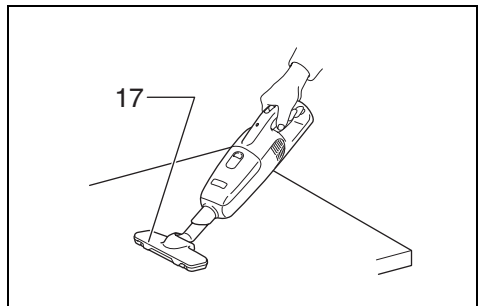
**21**



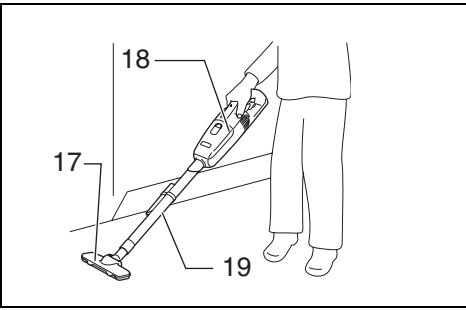
**22**



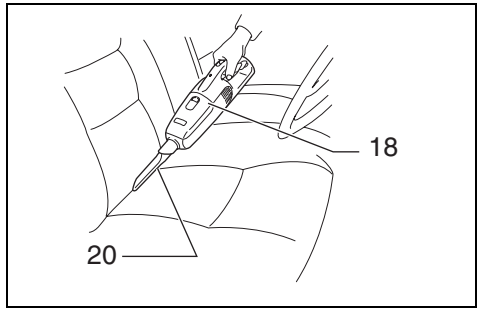
**23**



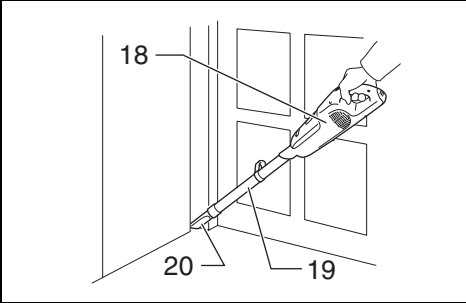
**24**



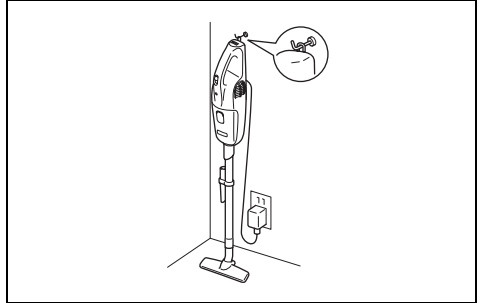
25



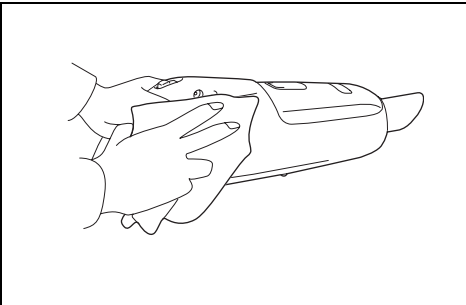
26



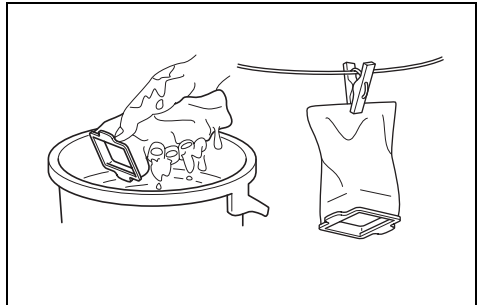
27



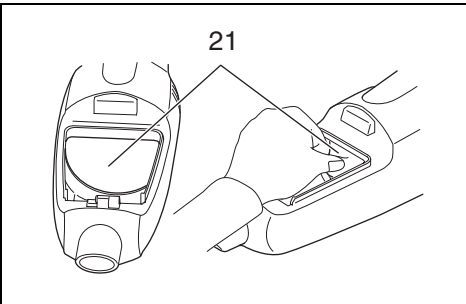
28



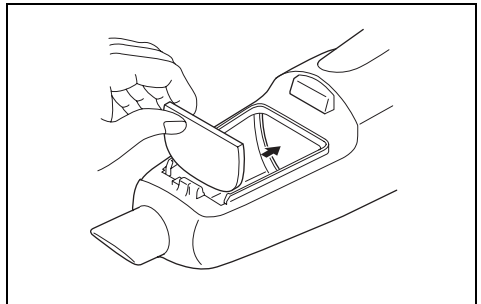
29



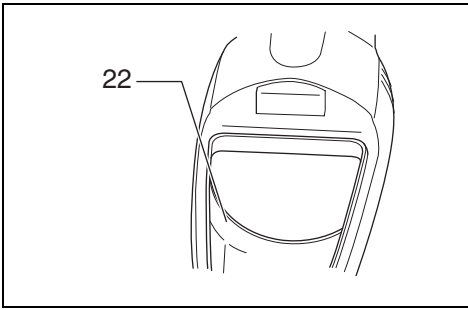
30



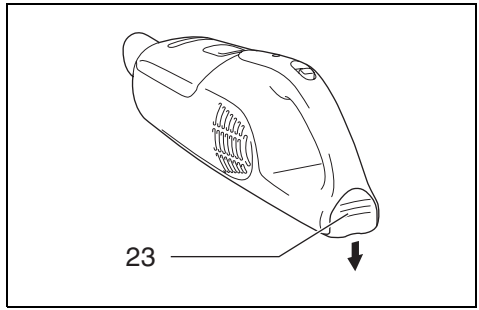
31



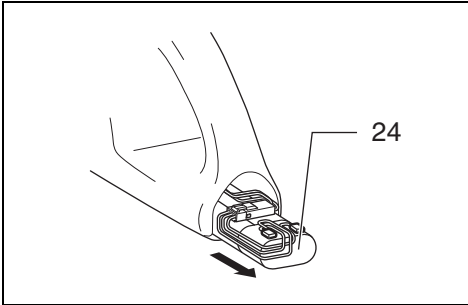
32



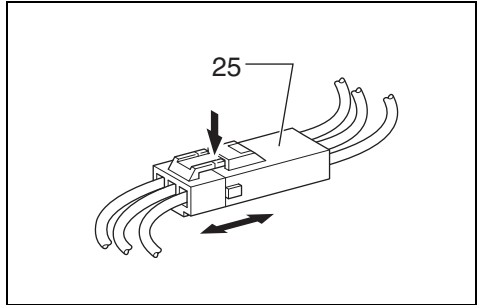
**33**



**34**



**35**



**36**

# ENGLISH

## Explanation of general view

1 Charging connector	9 Groove	18 Cleaner
2 Charging plug	10 Dust bag	19 Extension wand
3 Lamp	11 Lower groove	20 Corner nozzle
4 Switch	12 Cleaner cavity	21 Sponge filter
5 Lever	13 Hook of front cover	22 Wall
6 Dust stopper	14 Front lip	23 Rear cover
7 Upper side of dust stopper	15 Hook	24 Battery unit
8 Lower side of dust stopper	16 Paper pack	25 Connector
	17 Nozzle	

## SPECIFICATIONS

Model		4076D
Capacity		500 ml (for dust bag)
		330 ml (for paper pack)
Continuous use	High	Approx. 10 min.
	Low	Approx. 20 min.
Overall length		446 mm (without nozzle) / 983 mm (with nozzle)
Net weight	without nozzle	1.1 kg
	with nozzle	1.4 kg
Rated voltage		D.C. 7.2 V

- Due to our continuing programme of research and development, the specifications herein are subject to change without notice.
- Note: Specifications may differ from country to country.

### Intended use

The tool is intended for collecting dry dust.

## IMPORTANT SAFETY INSTRUCTIONS

ENA005-1

When using an electrical appliance, basic precautions should always be followed, including the following:

### READ ALL INSTRUCTIONS BEFORE USING THIS APPLIANCE.

**WARNING** - To reduce the risk of fire, electric shock or injury:

1. Do not expose to rain. Store indoors.
2. Do not allow to be used as a toy. Close attention is necessary when used by or near children.
3. Use only as described in this manual. Use only manufacturer's recommended attachments.
4. Do not use with damaged battery. If appliance is not working as it should, has been dropped, damaged, left outdoors, or dropped into water, return it to a service center.
5. Do not handle appliance with wet hands.
6. Do not put any object into openings. Do not use with any opening blocked; keep free of dust, lint, hair, and anything that may reduce air flow.
7. Keep hair, loose clothing, fingers, and all parts of body away from openings and moving parts.
8. Turn off all controls before removing the battery.

9. Use extra care when cleaning on stairs.

10. Do not use to pick up flammable or combustible liquids, such as gasoline, or use in areas where they may be present.

11. Use only the charger supplied by the manufacturer to recharge.

12. Do not pick up anything that is burning or smoking, such as cigarettes, matches, or hot ashes.

13. Do not use without filters in place.

14. Do not charge the battery outdoors.

### SAVE THESE INSTRUCTIONS.

This appliance is intended for household use.

### ADDITIONAL SAFETY RULES

ENB106-1

1. Read this instruction manual and the charger instruction manual carefully before use.
2. Do not pick up wet materials, lit cigarettes or the like.
3. Stop operation immediately if you notice anything abnormal.
4. If you drop or strike the cleaner, check it carefully for cracks or damage before operation.
5. Do not charge the cleaner close to dangerous flammable materials such as gasoline, gas, paint or adhesives.
6. Do not charge the cleaner on papers, cloth, carpet, vinyl, etc. This may cause a fire.
7. Do not charge the cleaner in a dusty place.
8. Be sure no one is below when using the cleaner in high locations.
9. Do not bring close to stoves or other heat sources.

10. Do not block the intake hole or vent holes.

## SAVE THESE INSTRUCTIONS.

### IMPORTANT SAFETY INSTRUCTIONS FOR BUILT-IN BATTERY

ENC008-1

1. Before using built-in battery, read all instructions and cautionary markings on (1) battery charger, (2) battery, and (3) product using battery.
2. Do not disassemble built-in battery.
3. If operating time has become excessively shorter, stop operating immediately. It may result in a risk of overheating, possible burns and even an explosion.
4. If electrolyte gets into your eyes, rinse them out with clear water and seek medical attention right away. It may result in loss of your eyesight.
5. Do not short the built-in battery:
  - (1) Do not touch the terminals with any conductive material.
  - (2) Avoid storing built-in battery in a container with other metal objects such as nails, coins, etc.
  - (3) Do not expose built-in battery to water or rain.

A battery short can cause a large current flow, overheating, possible burns and even a breakdown.
6. Do not store the tool and built-in battery in locations where the temperature may reach or exceed 50 °C (122 °F).
7. Do not incinerate the built-in battery even if it is severely damaged or is completely worn out. The built-in battery can explode in a fire.
8. Be careful not to drop or strike battery.

## SAVE THESE INSTRUCTIONS.

### Tips for maintaining maximum battery life

1. Charge the built-in battery before completely discharged.

Always stop tool operation and charge the built-in battery when you notice less tool power.
2. Never recharge a fully charged built-in battery. Overcharging shortens the battery service life.
3. Charge the built-in battery with room temperature at 10 °C – 40 °C (50 °F – 104 °F). Let a hot built-in battery cool down before charging it.

## FUNCTIONAL DESCRIPTION

### CAUTION:

- Always be sure that the tool is switched off before adjusting or checking function on the tool.

### Charging the built-in battery (Fig. 1 & 2)

Use only the Makita charger DC7021 to charge this cleaner. Use of other type chargers may cause the battery to burst, resulting in personal injury and damage. Charge the cleaner when it is to be used for the first time or it has been left uncharged for a long time. Connect the charging plug to the charging connector, then plug in the charger to the power receptacle. The light in front of the cleaner switch will come on and charging will begin. Charging takes approximately 3 - 5 hours. The light goes out after the charging is complete. Refer to the instruction manual for the charger for more details.

### CAUTION:

- Do not operate the cleaner during charging. It may be damaged.
- Always disconnect the charging plug from the cleaner after charging.
- When you charge a new cleaner or a cleaner which has been left uncharged for a long time, it may not accept a full charge. This is a normal condition and does not indicate a problem. You can recharge the cleaner fully after discharging it completely a couple of times.
- Maximum charging time may be 9 hours depending on room temperature.

### Switch action (Fig. 3)

### CAUTION:

- Always be sure that the dust bag or paper pack is installed properly in the cleaner before use. Improper installation may allow dust to enter the motor, resulting in malfunction of the cleaner.
- Always switch off the cleaner after each use to prevent damage to the cleaner and to lengthen the service life of the batteries.

This cleaner can be operated in "standard" and "strong" suction. For standard suction, slide the switch forward to the LOW position. For strong suction, slide the switch further to the HIGH position.

To stop the cleaner, slide the switch back to the OFF position.

## ASSEMBLY

### Dust disposal

### CAUTION:

- Empty the cleaner before it becomes too full, or the suction force weakens.
- Be sure to empty out the dust inside the cleaner itself. Failure to do so may cause the sponge filter to be clogged or the motor to be damaged.
- Never throw away the dust stopper because it should be used whenever either the dust bag or the paper pack is used.

Push the A part of the lever and grab it. Open it while grabbing it. (Fig. 4 & 5)

Pull out both the dust stopper and dust bag together at the same time. (Fig. 6)

Remove the dust stopper and empty the cleaner. (Fig. 7 & 8)



## Dust bag and paper pack

Install either dust bag or paper pack before using cleaner.

Use the dust stopper when installing either dust bag or paper pack.

Dust bag is usable many times repeatedly by cleaning it out.

Paper pack is a throw-away type. Throw away the entire paper pack without emptying when it has become full.

### Installing dust bag

Use the dust stopper when installing dust bag. Be careful not to take the upper side for the lower side by mistake because they are different each other. (Fig. 9)

1. Insert the protrusion of the dust bag into the groove in the dust stopper as shown in the figure. (Fig. 10)
2. There is no distinction between the upper and lower sides of the dust bag. You may insert its protrusion of any side into the lower groove of the dust stopper. (Fig. 11)
3. Overlap the frame of dust stopper with that of the dust bag. (Fig. 12)
4. Place the dust stopper and the dust bag together into the cleaner cavity in the same direction of arrow on the dust stopper. Insert them all the way into the slots in the cleaner cavity. (Fig. 13)
5. Place the entire cloth part of the dust bag inside the tool itself. (Fig. 14)
6. Hook the front cover onto the front lip of the cleaner. Then close the front cover. (Fig. 15)

### Installing the paper pack

1. Unfold the entrance of the paper pack before setting it on the dust stopper. (Fig. 16)  
Use the dust stopper also when installing paper pack. Be careful not to take the upper side for the lower side by mistake because they are different each other. (Fig. 17)
2. Insert the protrusion of the paper pack into the groove in the dust stopper as shown in the figure. (Fig. 18)
3. There is no distinction between the upper and lower sides of the paper pack. You may insert its protrusion of any side into the lower groove of the dust stopper. (Fig. 19)
4. Overlap the frame of dust stopper with that of the paper pack. (Fig. 20)
5. Place the dust stopper and the paper pack together into the cleaner cavity in the same direction of arrow on the dust stopper. Insert them all the way into the slots in the cleaner cavity. (Fig. 21)
6. Place the entire container part of the paper pack inside the tool itself. (Fig. 22)

#### NOTE:

- The paper pack is a throw-away type. When it has become full, throw away the entire paper pack without emptying.
7. Hook the front cover onto the front lip of the cleaner. Then close the front cover. (Fig. 23)

#### CAUTION:

- Forgetting to install the dust bag or the paper pack, failure to insert the dust stopper together with the dust bag or the paper pack all the way into the slots or using a broken or ripped bag, may allow dust to get into the motor. This may result in motor failure.

- Do not fold the cardboard at its opening when installing the paper pack.
- Never throw away the dust stopper because it need to be used repeatedly whenever either the dust bag or the paper pack is used.

## OPERATION

### Cleaning (Suction)

#### Nozzle (Fig. 24)

Attach the nozzle to clean off tables, desks, furniture, etc. Nozzle slips on easily.

#### Nozzle + Extension wand (Straight pipe) (Fig. 25)

The extension wand fits in between the nozzle and the cleaner itself. This arrangement is convenient for cleaning a floor while standing erect.

#### Corner nozzle (Fig. 26)

Fit on the corner nozzle for cleaning corners and crevices of a car or furniture.

#### Corner nozzle + Extension wand (Straight pipe) (Fig. 27)

In tight quarters where the cleaner itself cannot squeeze in, or in high places hard to reach, use this arrangement.

## MAINTENANCE

#### CAUTION:

- Always be sure that the tool is switched off before attempting to perform inspection or maintenance.

#### After use (Fig. 28)

When charging or storing the cleaner, hang it from a nail using the convenient hanger in back by raising it.

#### Cleaning (Fig. 29 & 30)

From time to time wipe off the outside (cleaner body) of the cleaner using a cloth dampened in soapy water. Clean out also the suction opening, dust bag/paper pack mounting area and the dust stopper.

#### CAUTION:

- Never use gasoline, thinner or the like. Discoloration or cracks may result.

Wash the dust bag in soapy water when it is clogged with dust and the cleaner power becomes small. Dry it out thoroughly before use. An insufficiently dried bag may cause poor suction and shorten the service life of the motor.

#### NOTE:

- Paper pack is a throw-away type.

When the sponge filter is clogged with dust, remove it from the cleaner and then wipe it off or wash in water.

#### Removing and installing the sponge filter (Fig. 31, 32 & 33)

To remove the sponge filter, remove the dust bag or paper pack and then pinch and take it out.

Press in the whole edge of the sponge filter against the recessed wall inside the dust bag/paper pack mounting area.

#### CAUTION:

- After cleaning sponge filter, be sure to install it on the cleaner. If washed in water, dry it up before installing. An insufficiently dried sponge filter may shorten the service life of the motor.

### Disposing cleaner

A Ni-Cd battery is built into this cleaner. Always remove it before disposing of the cleaner.

### Removing built-in battery

#### CAUTION:

- Never remove the built-in battery from the cleaner except when disposing of the cleaner. The battery will be damaged or a battery short-circuit could result.
- Do not touch the terminals with any conductive material.
- Avoid storing battery unit in a container with other metal objects such as nails, coins, etc.
- Do not expose battery unit to water or rain.
- Do not disassemble or alter battery unit.

1. To remove the rear cover, push it in the direction of the arrow. **(Fig. 34)**
2. Withdraw the built-in battery halfway. **(Fig. 35)**
3. Disconnect the three lead wires from the battery by pressing the connector on the part 25 in the direction of arrow shown in the figure and pulling them. Then withdraw the battery unit completely.
4. Put the removed battery unit in a plastic bag so that it is not circuit-shortened. **(Fig. 36)**

To maintain product SAFETY and RELIABILITY, repairs, any other maintenance or adjustment should be performed by Makita Authorized or Factory Service Centers, always using Makita replacement parts.

### ACCESSORIES

#### CAUTION:

- These accessories or attachments are recommended for use with your Makita tool specified in this manual. The use of any other accessories or attachments might present a risk of injury to persons. Only use accessory or attachment for its stated purpose.

If you need any assistance for more details regarding these accessories, ask your local Makita Service Center.

- Extension wand (Straight pipe)
- Nozzle
- Corner nozzle
- Dust bag
- Paper pack
- Dust stopper
- Charger DC7021

## Descriptif

1	Connecteur de charge	9	Rainure	19	Tube prolongateur
2	Fiche de charge	10	Sac à poussières	20	Raccord pour coin
3	Lampe	11	Rainure inférieure	21	Filtre-éponge
4	Interrupteur	12	Cavité de l'aspirateur	22	Mur
5	Levier	13	Crochet du couvercle avant	23	Couvercle arrière
6	Écran antipoussières	14	Lèvre avant	24	Batterie
7	Face supérieure de l'écran antipoussières	15	Crochet	25	Connecteur
8	Face inférieure de l'écran antipoussières	16	Ensemble papier		
		17	Raccord		
		18	Aspirateur		

## SPÉCIFICATIONS

Modèle		4076D
Capacité		500 ml (pour sac à poussières)
		330 ml (pour l'ensemble papier)
Utilisation continue	Puissance élevée	Environ 10 min.
	Puissance basse	Environ 20 min.
Longueur totale		446 mm (sans raccord) / 983 mm (avec raccord)
Poids net	sans raccord	1,1 kg
	avec raccord	1,4 kg
Tension nominale		C.c. 7,2 V

- En raison de notre programme continu de recherche et de développement, les présentes spécifications sont sujettes à modification sans préavis.
- Note : les spécifications peuvent varier d'un pays à l'autre.

### Usage

L'outil est conçu pour la collecte des poussières sèches.

## IMPORTANTES CONSIGNES DE SÉCURITÉ

ENA005-1

Lors de l'utilisation d'un appareil électrique, certaines précautions élémentaires s'imposent en tout temps, dont les suivantes.

### LIRE TOUTES LES INSTRUCTIONS AVANT D'UTILISER CET APPAREIL.

**AVERTISSEMENT** - Pour réduire les risques d'incendie, de choc électrique et de blessure :

1. Ne pas exposer à la pluie. Ranger à l'intérieur.
2. Ne pas laisser utiliser comme jouet. Une surveillance étroite est requise lors de l'utilisation par un enfant ou près d'un enfant.
3. Utiliser uniquement de la façon décrite dans ce manuel. Utiliser uniquement les accessoires recommandés par le fabricant.
4. Ne pas utiliser avec une batterie endommagée. Si l'appareil ne fonctionne pas comme il devrait, s'il a été échappé, endommagé, laissé à l'extérieur ou échappé dans l'eau, le renvoyer à un centre de service après-vente.
5. Ne pas manipuler l'appareil avec les mains mouillées.

6. N'insérer aucun objet dans les ouvertures. Ne pas utiliser si l'une des ouvertures est bloquée ; toujours enlever les poussières, charpies, cheveux et autres corps étrangers pouvant affecter la circulation de l'air.
7. Garder les cheveux, vêtements amples, doigts et toute autre partie du corps à l'écart des ouvertures et des pièces en mouvement.
8. Désactiver toutes les commandes avant de retirer la batterie.
9. Être tout particulièrement prudent lorsque l'on passe l'aspirateur dans un escalier.
10. Ne pas utiliser pour collecter des liquides inflammables ou combustibles tels que l'essence, ou dans des zones où de tels liquides peuvent être présents.
11. Pour charger la batterie, utiliser uniquement le chargeur fourni par le fabricant.
12. Ne collecter aucune substance enflammée ou qui dégage de la fumée, telles que cigarettes, allumettes ou cendres chaudes.
13. Ne pas utiliser sans avoir posé les filtres.
14. Ne pas charger la batterie à l'extérieur.

### CONSERVER CES INSTRUCTIONS.

Cet appareil est conçu pour l'utilisation à l'intérieur.

## CONSIGNES DE SÉCURITÉ ADDITIONNELLES

ENB106-1

1. Lire attentivement ce manuel d'instructions et celui du chargeur avant l'utilisation.
2. Ne pas collecter les matériaux mouillés, les cigarettes allumées et objets similaires.
3. Cesser immédiatement l'utilisation en cas d'anomalie.
4. Si l'aspirateur est échappé ou heurté, vérifier attentivement l'absence de fissures ou de dommages avant l'utilisation.
5. Ne pas charger l'aspirateur près de matériaux inflammables dangereux, tels que de l'essence, un gaz, de la peinture ou des adhésifs.
6. Ne pas charger l'aspirateur sur du papier, des vêtements, un tapis, du vinyle, etc. Il y a risque d'incendie.
7. Ne pas charger l'aspirateur dans un emplacement poussiéreux.
8. S'assurer qu'il n'y a personne dessous lorsque l'on utilise l'aspirateur en un point élevé.
9. Ne pas approcher des fourneaux ou autres sources de chaleur.
10. Ne pas bloquer les orifices d'entrée ou de sortie d'air.

## CONSERVER CES INSTRUCTIONS.

## IMPORTANTES CONSIGNES DE SÉCURITÉ POUR LA BATTERIE INTÉGRÉE

ENC008-1

1. Avant d'utiliser la batterie intégrée, lire toutes les instructions et mises en garde sur (1) le chargeur, (2) la batterie et (3) l'appareil alimenté par la batterie.
2. Ne pas démonter la batterie intégrée.
3. Si la durée de fonctionnement devient excessivement courte, cesser immédiatement l'utilisation. Autrement il y a risque de surchauffe, de brûlure, voire d'explosion.
4. Si de l'électrolyte pénètre dans les yeux, les rincer à l'eau claire et consulter immédiatement un médecin. Il y a risque de perte de la vue.
5. Ne pas court-circuiter la batterie intégrée :
  - (1) Ne pas toucher les bornes avec un matériau conducteur.
  - (2) Éviter de ranger la batterie intégrée dans un contenant avec d'autres objets métalliques tels que clous, pièces de monnaie, etc.
  - (3) Ne pas exposer la batterie intégrée à l'eau ou à la pluie.

Un court-circuit de la batterie peut causer une surtension, une surchauffe, des brûlures, voire une panne.
6. Ne pas ranger l'outil et la batterie intégrée dans un emplacement où la température peut atteindre ou dépasser 50 °C (122 °F).
7. Ne pas brûler la batterie intégrée même si elle est sévèrement endommagée ou complètement épuisée. La batterie intégrée risque d'éclater au contact du feu.
8. Prendre garde d'échapper ou de heurter la batterie.

## CONSERVER CES INSTRUCTIONS.

## Conseils pour assurer la durée de service maximale de la batterie

1. **Charger la batterie intégrée avant qu'elle ne soit complètement déchargée.**  
Toujours arrêter l'outil et charger la batterie intégrée lorsque l'outil faiblit.
2. **Ne jamais essayer de charger une batterie déjà complètement chargée.** La surcharge réduit la durée de service de la batterie.
3. **Charger la batterie intégrée à une température ambiante de 10 °C à 40 °C (50 °F à 104 °F).** Laisser la batterie intégrée refroidir avant de la charger si elle est chaude.

## DESCRIPTION DU FONCTIONNEMENT

### ATTENTION :

- Toujours s'assurer que l'outil est éteint avant de le régler ou de vérifier son fonctionnement.

### Charge de la batterie intégrée (Fig. 1 et 2)

Utiliser uniquement le chargeur DC7021 Makita pour charger cet aspirateur. L'utilisation d'un autre type de chargeur peut faire éclater la batterie et causer des blessures et des dommages. Charger l'aspirateur avant la première utilisation et lorsqu'il est resté inutilisé pour une période prolongée. Raccorder la fiche de charge au connecteur de charge, puis brancher le chargeur sur la prise de courant. La lumière à l'avant de l'interrupteur de l'aspirateur s'allume et la charge commence. La charge prend environ de 3 à 5 heures. La lumière s'éteint une fois la charge terminée. Se reporter au manuel d'instructions du chargeur pour plus de détails.

### ATTENTION :

- Ne pas utiliser l'aspirateur pendant la charge. Cela risquerait de l'endommager.
- Toujours débrancher la fiche de charge de l'aspirateur après la charge.
- Lorsque l'on charge un aspirateur neuf ou un aspirateur inutilisé pour une période prolongée, il se peut qu'il ne se charge pas complètement. Cela est normal et n'indique aucun dysfonctionnement. Il sera possible de charger complètement l'aspirateur après l'avoir complètement déchargé à quelques reprises.
- Le temps de charge maximum peut être de 9 heures suivant la température ambiante.

### Fonctionnement de l'interrupteur (Fig. 3)

### ATTENTION :

- Lors de l'utilisation, toujours s'assurer que le sac à poussières ou l'ensemble papier est installé correctement dans l'aspirateur. En cas d'installation incorrecte les poussières risquent de pénétrer dans le moteur, causant un mauvais fonctionnement de l'aspirateur.
- Toujours éteindre l'aspirateur après chaque utilisation pour éviter de l'endommager et pour prolonger la durée de service de la batterie.

Cet aspirateur peut être utilisé en mode d'aspiration "normale" ou "puissante". Pour l'aspiration normale, glisser l'interrupteur sur la position LOW. Pour l'aspiration puissante, le glisser sur la position HIGH. Pour arrêter l'aspirateur, glisser l'interrupteur sur la position OFF.

## ASSEMBLAGE

### Mise au rebut des poussières

#### ATTENTION :

- Vider l'aspirateur avant qu'il ne soit trop plein, autrement sa puissance d'aspiration sera moindre.
- S'assurer qu'il n'y a plus de poussières à l'intérieur de l'aspirateur lui-même. Autrement le filtre-éponge risque de se boucher ou le moteur de subir des dommages.
- Ne jamais jeter l'écran antipoussières, car il doit être utilisé aussi bien avec le sac à poussières qu'avec l'ensemble papier.

Pousser la partie A du levier et le saisir. L'ouvrir sans le lâcher. (Fig. 4 et 5)

Retirer l'écran antipoussières et le sac à poussières en même temps. (Fig. 6)

Retirer l'écran antipoussières et vider l'aspirateur. (Fig. 7 et 8)

### Sac à poussières et ensemble papier

Installer le sac à poussières ou l'ensemble papier avant d'utiliser l'aspirateur.

Utiliser l'écran antipoussières lors de l'installation du sac à poussières ou de l'ensemble papier.

Il est possible de réutiliser plusieurs fois de suite le sac à poussières en le vidant.

L'ensemble papier est de type jetable. Lorsqu'il est plein, le jeter tel quel, sans le vider.

### Installation du sac à poussières

Utiliser l'écran antipoussières lors de l'installation du sac à poussières. Éviter d'inverser les faces supérieure et inférieure de l'écran antipoussières, car elles sont différentes. (Fig. 9)

1. Insérer la partie saillante du sac à poussières dans la rainure de l'écran antipoussières, tel qu'illustré. (Fig. 10)
2. Les faces supérieure et inférieure du sac à poussières sont identiques. Il est possible d'insérer la partie saillante d'une face comme de l'autre dans la rainure inférieure de l'écran antipoussières. (Fig. 11)
3. Superposer le cadre de l'écran antipoussières et celui du sac à poussières. (Fig. 12)
4. Placer l'écran antipoussières et le sac à poussières ensemble dans la cavité de l'aspirateur, dans le même sens que la flèche qui se trouve sur l'écran antipoussières. Les insérer à fond dans les fentes de la cavité de l'aspirateur. (Fig. 13)
5. Placer tout le sac à poussières à l'intérieur de l'outil. (Fig. 14)
6. Accrocher le couvercle avant à la lèvres avant de l'aspirateur. Fermer ensuite le couvercle avant. (Fig. 15)

### Installation de l'ensemble papier

1. Déplier l'ouverture de l'ensemble papier avant de le poser sur l'écran antipoussières. (Fig. 16)  
Utiliser l'écran antipoussières également lors de l'installation de l'ensemble papier. Éviter d'inverser les faces supérieure et inférieure de l'écran antipoussières, car elles sont différentes. (Fig. 17)
2. Insérer la partie saillante de l'ensemble papier dans la rainure de l'écran antipoussières, tel qu'illustré. (Fig. 18)

3. Les faces supérieure et inférieure de l'ensemble papier sont identiques. Il est possible d'insérer la partie saillante d'une face comme de l'autre dans la rainure inférieure de l'écran antipoussières. (Fig. 19)
4. Superposer le cadre de l'écran antipoussières et celui de l'ensemble papier. (Fig. 20)
5. Placer l'écran antipoussières et l'ensemble papier dans la cavité de l'aspirateur, dans le même sens que la flèche qui se trouve sur l'écran antipoussières. Les insérer à fond dans les fentes de la cavité de l'aspirateur. (Fig. 21)
6. Placer tout le contenant de l'ensemble papier à l'intérieur de l'outil. (Fig. 22)

#### NOTE :

- L'ensemble papier est de type jetable. Lorsqu'il est plein, le jeter tel quel, sans le vider.
- 7. Accrocher le couvercle avant à la lèvres avant de l'aspirateur. Fermer ensuite le couvercle avant. (Fig. 23)

#### ATTENTION :

- Les poussières risquent de pénétrer dans le moteur si l'on n'insère pas le sac à poussières ou l'ensemble papier, si l'on n'insère pas à fond dans les fentes de l'écran antipoussières avec le sac à poussières ou l'ensemble papier, ou si l'on utilise un sac endommagé ou déchiré. Cela peut provoquer une panne du moteur.
- Ne pas plier l'ouverture du carton lors de l'installation de l'ensemble papier.
- Ne jamais jeter l'écran antipoussières, car il doit être utilisé à maintes reprises aussi bien avec le sac à poussières qu'avec l'ensemble papier.

## OPERATION

### Nettoyage (aspiration)

#### Raccord (Fig. 24)

Fixer le raccord pour nettoyer les tables, bureaux, meubles, etc. Le raccord se glisse facilement en place.

#### Raccord + tube prolongateur (tuyau rectiligne) (Fig. 25)

Le tube prolongateur s'installe entre le raccord et l'aspirateur. Il permet de passer l'aspirateur sur le plancher tout en restant debout.

#### Raccord pour coin (Fig. 26)

Installer le raccord pour coin lorsque l'on passe l'aspirateur dans les coins ou dans les interstices d'un véhicule ou d'un meuble.

#### Raccord pour coin + tube prolongateur (tuyau rectiligne) (Fig. 27)

Utiliser cette combinaison pour passer l'aspirateur dans les endroits étroits ou dans les endroits élevés difficiles à atteindre.

## ENTRETIEN

### ATTENTION :

- Toujours s'assurer que l'outil est éteint avant d'effectuer son inspection ou son entretien.

### Après l'utilisation (Fig. 28)

Pour charger ou ranger l'aspirateur, le placer à la verticale et l'accrocher à un clou par son crochet pratique.

### Nettoyage (Fig. 29 et 30)

Essuyer de temps à autre la surface extérieure (le boîtier) de l'aspirateur à l'aide d'un chiffon humecté dans de l'eau savonneuse. Nettoyer également les ouvertures d'aspiration, les zones de montage du sac à poussières ou de l'ensemble papier et l'écran antipoussières.

### ATTENTION :

- Ne jamais utiliser d'essence, de diluant ou de produits similaires. Ils risqueraient de décolorer ou de fissurer l'aspirateur.

Lorsque le sac à poussières est bouché et que la puissance de l'aspirateur s'en trouve affaiblie, laver le sac à poussières dans de l'eau savonneuse. Le faire sécher parfaitement avant l'utilisation. Si le sac n'est pas assez sec la capacité d'aspiration sera considérablement affectée et cela réduira la durée de service du moteur.

### NOTE :

- L'ensemble papier est de type jetable.

Lorsque le filtre-éponge est bouché par les poussières, le retirer de l'aspirateur et l'essuyer ou le laver dans l'eau.

### Retrait et pose du filtre-éponge (Fig. 31, 32 et 33)

Pour retirer le filtre-éponge, retirer d'abord le sac à poussières ou l'ensemble papier, puis pincer le filtre-éponge pour l'enlever.

Presser tout le bord du filtre-éponge contre la paroi encastrée à l'intérieur de la zone de montage du sac à poussières ou de l'ensemble papier.

### ATTENTION :

- Après avoir nettoyé le filtre-éponge, ne pas oublier de l'installer sur l'aspirateur. Si on l'a lavé à l'eau, le faire sécher avant de l'installer. La durée de service du moteur risque d'être réduite si le filtre-éponge n'est pas assez sec.

### Mise au rebut de l'aspirateur

Une batterie Ni-Cd est intégrée à cet aspirateur. Il faut la retirer avant de mettre l'aspirateur au rebut.

### Retrait de la batterie intégrée

#### ATTENTION :

- Ne jamais retirer la batterie intégrée de l'aspirateur, sauf lors de la mise au rebut de ce dernier. La batterie risquerait d'être endommagée ou court-circuitée.
- Ne pas toucher les bornes avec un matériau conducteur.
- Éviter de ranger la batterie dans un contenant avec d'autres objets métalliques tels que clous, pièces de monnaie, etc.
- Ne pas exposer la batterie à l'eau ou à la pluie.
- Ne pas démonter ou modifier la batterie.

1. Pour retirer le couvercle arrière, le pousser dans le sens de la flèche. **(Fig. 34)**
2. Retirer à moitié la batterie intégrée. **(Fig. 35)**

3. Déconnecter les trois fils de la batterie en appuyant sur la partie 25 du connecteur dans le sens de la flèche, tel qu'illustré, et en tirant sur les fils. Enlever ensuite la batterie complètement.
4. Mettre la batterie retirée dans un sac de plastique, pour éviter de la court-circuiter. **(Fig. 36)**

Pour assurer la SÉCURITÉ et la FIABILITÉ du produit, les réparations et autres travaux d'entretien ou de réglage doivent être effectués dans une usine ou un centre de service Makita agréé, à l'aide de pièces de rechange Makita.

## ACCESSOIRES

### ATTENTION :

- Ces accessoires ou pièces sont recommandés pour l'utilisation avec l'outil Makita spécifié dans ce manuel. L'utilisation de tout autre accessoire ou pièce peut comporter un risque de blessure. Utiliser uniquement l'accessoire ou la pièce pour le travail pour lequel il a été conçu.

Pour plus d'informations concernant ces accessoires, s'informer auprès du centre de service Makita le plus près.

- Tube prolongateur (tuyau rectiligne)
- Raccord
- Raccord pour coin
- Sac à poussières
- Ensemble papier
- Écran antipoussières
- Chargeur DC7021

**Übersicht**

1 Ladebuchse	9 Führungsnut	19 Verlängerungsrohr
2 Ladestecker	10 Staubsack	20 Spitzdüse
3 Lampe	11 Untere Nut	21 Schwammfilter
4 Schalter	12 Staubsackkammer	22 Wand
5 Hebel	13 Haken der Frontabdeckung	23 Rückdeckel
6 Staubsackanschlag	14 Frontlippe	24 Akku
7 Oberseite des Staubsackanschlags	15 Haken	25 Klemme
8 Unterseite des Staubsackanschlags	16 Papierbeutel	
	17 Bürste	
	18 Staubsauger	

**TECHNISCHE DATEN**

Modell		4076D
Kapazität		500 ml (für Staubsack)
		330 ml (für Papierbeutel)
Dauerbetrieb	Hoch	ca. 10 Min.
	Niedrig	ca. 20 Min.
Gesamtlänge		446 mm (ohne Bürste) / 983 mm (mit Bürste)
Nettogewicht	ohne Bürste	1,1 kg
	mit Bürste	1,4 kg
Nennspannung		7,2 V Gleichstrom

- Aufgrund unseres Dauerprogramms der Forschung und Entwicklung unterliegen die hier angegebenen technischen Daten Änderung ohne Vorankündigung.
- Hinweis: Die technischen Daten können von Land zu Land unterschiedlich sein.

**Vorgesehene Verwendung**

Dieses Gerät ist für das Absaugen von Trockenstaub vorgesehen.

**WICHTIGE SICHERHEITSVORSCHRIFTEN**

ENA005-1

Bei der Verwendung eines Elektrogerätes sind grundsätzliche Vorsichtsmaßnahmen, einschließlich der folgenden, stets zu beachten:

**LESEN SIE ALLE ANWEISUNGEN VOR DER BENUTZUNG DIESES GERÄTES.**

**WARNUNG - Zur Reduzierung von Brand-, Stromschlag- oder Verletzungsgefahr:**

1. Das Gerät keinem Regen aussetzen. In Innenräumen aufbewahren.
2. Das Gerät darf nicht als Spielzeug benutzt werden. Wenn das Gerät von Kindern oder in deren Nähe benutzt wird, ist besondere Vorsicht geboten.
3. Nur gemäß der Beschreibung in dieser Anleitung benutzen. Nur vom Hersteller empfohlene Zusatzvorrichtungen verwenden.
4. Nicht mit beschädigtem Akku benutzen. Falls das Gerät nicht ordnungsgemäß funktioniert, fallen gelassen, beschädigt, im Freien liegen gelassen wurde oder ins Wasser gefallen ist, bringen Sie es zu einer Kundendienststelle.

5. Fassen Sie das Gerät nicht mit nassen Händen an.
6. Stecken Sie keine Gegenstände in die Öffnungen. Benutzen Sie das Gerät nicht mit einer blockierten Öffnung; halten Sie es frei von Staub, Fusseln, Haaren und Fremdkörpern, die den Luftstrom behindern können.
7. Halten Sie Haare, lose Kleidung, Finger und alle Körperteile von den Öffnungen und beweglichen Teilen fern.
8. Schalten Sie sämtliche Bedienelemente aus, bevor Sie den Akku abnehmen.
9. Lassen Sie bei der Reinigung von Treppen besondere Vorsicht walten.
10. Verwenden Sie das Gerät nicht zum Aufsaugen von brennbaren oder feuergefährlichen Flüssigkeiten, wie z. B. Benzin, und benutzen Sie es auch nicht in der Nähe solcher Flüssigkeiten.
11. Verwenden Sie nur das vom Hersteller gelieferte Ladegerät zum Aufladen.
12. Saugen Sie keine brennenden oder rauchenden Gegenstände auf, wie z. B. Zigaretten, Streichhölzer oder heiße Asche.
13. Benutzen Sie das Gerät nicht ohne Filter.
14. Laden Sie den Akku nicht im Freien.

**DIESE ANWEISUNGEN AUFBEWAHREN.**

Dieses Gerät ist für Haushaltsgebrauch vorgesehen.

## ZUSÄTZLICHE SICHERHEITSREGELN

ENB106-1

1. Lesen Sie diese Gebrauchsanleitung und die Gebrauchsanleitung des Ladegerätes vor der Benutzung durch.
2. Saugen Sie keine nassen Materialien, brennende Zigaretten und dergleichen auf.
3. Brechen Sie den Betrieb sofort ab, wenn Sie irgendetwas Ungewöhnliches bemerken.
4. Falls Sie den Staubsauger fallen lassen oder anstoßen, überprüfen Sie ihn vor der Benutzung sorgfältig auf Risse oder Beschädigung.
5. Unterlassen Sie das Aufladen des Staubsaugers in der Nähe gefährlicher, brennbarer Materialien, wie z. B. Benzin, Gas, Lack oder Klebstoffen.
6. Unterlassen Sie das Aufladen des Staubsaugers auf Papier, Stoff, Teppich, Vinyl usw. Dies kann einen Brand verursachen.
7. Laden Sie den Staubsauger nicht an einem staubigen Ort.
8. Vergewissern Sie sich bei Benutzung an hochgelegenen Arbeitsplätzen, dass sich keine Personen darunter aufhalten.
9. Bringen Sie das Gerät nicht in die Nähe von Öfen oder anderen Wärmequellen.
10. Blockieren Sie nicht die Einlassöffnung oder die Belüftungsöffnungen.

### DIESE ANWEISUNGEN AUFBEWAHREN.

## WICHTIGE SICHERHEITSVORSCHRIFTEN FÜR DEN EINGEBAUTEN AKKU

ENC008-1

1. Lesen Sie vor der Benutzung des eingebauten Akkus alle Anweisungen und Warnhinweise, die an (1) Ladegerät, (2) Akku und (3) Produkt angebracht sind.
2. Der eingebaute Akku darf nicht zerlegt werden.
3. Falls die Betriebszeit beträchtlich kürzer geworden ist, stellen Sie den Betrieb sofort ein. Anderenfalls besteht die Gefahr von Überhitzung, möglichen Verbrennungen und sogar einer Explosion.
4. Falls Elektrolyt in Ihre Augen gelangt, waschen Sie sie mit sauberem Wasser aus, und begeben Sie sich unverzüglich in ärztliche Behandlung. Anderenfalls können Sie Ihre Sehkraft verlieren.
5. Der eingebaute Akku darf nicht kurzgeschlossen werden.
  - (1) Die Kontakte dürfen nicht mit leitfähigem Material berührt werden.
  - (2) Lagern Sie den Akku nicht in einem Behälter zusammen mit anderen Metallgegenständen, wie z. B. Nägeln, Münzen usw.
  - (3) Setzen Sie den eingebauten Akku weder Wasser noch Regen aus. Ein Kurzschluss des Akkus verursacht starken Stromfluss, der Überhitzung, Verbrennungen und einen Defekt zur Folge haben kann.
6. Lagern Sie das Gerät und den eingebauten Akku nicht an Orten, an denen die Temperatur 50 °C erreichen oder überschreiten kann.

7. Versuchen Sie niemals, den eingebauten Akku zu verbrennen, selbst wenn er stark beschädigt oder vollkommen verbraucht ist. Der eingebaute Akku kann im Feuer explodieren.
8. Achten Sie darauf, dass der Akku nicht fallen gelassen oder Stößen ausgesetzt wird.

### DIESE ANWEISUNGEN AUFBEWAHREN.

Hinweise zur Aufrechterhaltung der maximalen Akku-Nutzungsdauer

1. Laden Sie den eingebauten Akku, bevor er vollkommen erschöpft ist. Schalten Sie das Gerät stets aus, und laden Sie den eingebauten Akku, wenn Sie ein Nachlassen der Geräteleistung feststellen.
2. Unterlassen Sie das erneute Laden des voll aufgeladenen eingebauten Akkus. Überladen führt zu einer Verkürzung der Nutzungsdauer des Akkus.
3. Laden Sie den eingebauten Akku bei einer Raumtemperatur von 10 – 40 °C. Lassen Sie den eingebauten Akku vor dem Laden abkühlen, falls er heiß ist.

## FUNKTIONSBESCHREIBUNG

VORSICHT:

- Vergewissern Sie sich vor jeder Einstellung oder Funktionsprüfung des Gerätes stets, dass es ausgeschaltet ist.

### Laden des eingebauten Akkus (Abb. 1 u. 2)

Verwenden Sie nur das Makita-Ladegerät DC7021 zum Laden dieses Staubsaugers. Bei Verwendung anderer Ladegeräte kann der Akku platzen, was zu Verletzungen und Beschädigung führen kann. Laden Sie den Staubsauger vor der ersten Benutzung oder nach längerer Nichtbenutzung. Stecken Sie den Ladestecker in die Ladebuchse, und schließen Sie dann das Ladegerät an die Netzsteckdose an. Die Lampe vor dem Staubsaugerschalter leuchtet auf, und der Ladevorgang beginnt. Der Ladevorgang dauert ungefähr 3 - 5 Stunden. Die Lampe erlischt nach Abschluss des Ladevorgangs. Weitere Einzelheiten finden Sie in der Gebrauchsanleitung des Ladegerätes.

VORSICHT:

- Benutzen Sie den Staubsauger nicht während des Ladens. Er könnte sonst beschädigt werden.
- Ziehen Sie nach dem Laden stets den Ladestecker vom Staubsauger ab.
- Wenn ein neuer oder längere Zeit unbenutzter Staubsauger geladen wird, akzeptiert er möglicherweise keine volle Ladung. Dies ist normal und stellt kein Anzeichen für eine Störung dar. Der Akku lässt sich vollkommen aufladen, nachdem er ein paar Mal vollständig entladen und wieder aufgeladen worden ist.
- Die maximale Ladezeit kann je nach der Raumtemperatur 9 Stunden betragen.



## Schalterfunktion (Abb. 3)

### VORSICHT:

- Vergewissern Sie sich vor der Benutzung stets, dass der Staubsack oder der Papierbeutel korrekt in den Staubsauger eingesetzt ist. Falscher Einbau kann zu Eindringen von Staub in den Motor führen, wodurch eine Funktionsstörung des Staubsaugers verursacht werden kann.
- Schalten Sie den Staubsauger nach jeder Benutzung stets aus, um Beschädigung des Staubsaugers zu verhüten und die Lebensdauer der Akkus zu verlängern.

Dieser Staubsauger kann mit "normaler" und "starker" Saugleistung betrieben werden. Für normale Saugleistung schieben Sie den Schalter nach vorn auf die Position "LOW". Für starke Saugleistung schieben Sie den Schalter weiter auf die Position "HIGH" vor. Um den Staubsauger auszuschalten, schieben Sie den Schalter auf die Position "OFF" zurück.

## MONTAGE

### Staubentleerung

#### VORSICHT:

- Leeren Sie den Staubsauger, bevor er voll wird oder die Saugleistung nachlässt.
- Entleeren Sie auch unbedingt den Staub im Staubsauger selbst. Anderenfalls kann sich der Schwammfilter zusetzen, oder der Motor kann beschädigt werden.
- Werfen Sie auf keinen Fall den Staubsackanschlag weg, weil er bei jedem Einsetzen des Staubsacks oder Papierbeutels benötigt wird.

Drücken Sie auf den Teil A des Hebels, und fassen Sie ihn. Öffnen Sie den Deckel durch Ziehen am Hebel. **(Abb. 4 u. 5)**

Ziehen Sie den Staubsackanschlag und den Staubsack gleichzeitig heraus. **(Abb. 6)**

Entfernen Sie den Staubsackanschlag, und leeren Sie den Staubsauger. **(Abb. 7 u. 8)**

### Staubsack und Papierbeutel

Setzen Sie vor der Benutzung des Staubsaugers entweder den Staubsack oder einen Papierbeutel ein. Verwenden Sie den Staubsackanschlag sowohl für den Staubsack als auch für den Papierbeutel.

Der Staubsack kann durch Entleeren viele Male wieder verwendet werden.

Der Papierbeutel ist ein Wegwerfartikel. Werfen Sie den ganzen Papierbeutel weg, ohne ihn zu entleeren, wenn er voll geworden ist.

### Einsetzen des Staubsacks

Verwenden Sie den Staubsackanschlag zum Einsetzen des Staubsacks. Achten Sie darauf, dass Sie nicht versehentlich die Oberseite mit der Unterseite verwechseln, weil sie unterschiedlich sind. **(Abb. 9)**

1. Führen Sie den Vorsprung des Staubsacks in die Führungsnut des Staubsackanschlags ein, wie in der Abbildung gezeigt. **(Abb. 10)**
2. Es gibt keinen Unterschied zwischen der Ober- und Unterseite des Staubsacks. Der Vorsprung beider Seiten kann in die untere Nut des Staubsackanschlags eingeführt werden. **(Abb. 11)**
3. Der Rahmen des Staubsackanschlags muss sich mit dem des Staubsacks decken. **(Abb. 12)**

4. Setzen Sie den Staubsack zusammen mit dem Staubsackanschlag in der Richtung des Pfeils auf dem Staubsackanschlag in die Staubsackkammer ein. Führen Sie die Teile vollständig in die Schlitzle der Staubsackkammer ein. **(Abb. 13)**
5. Bringen Sie den gesamten Stoffteil des Staubsacks im Gerät selbst unter. **(Abb. 14)**
6. Hängen Sie die Frontabdeckung in die Frontlippe des Staubsaugers ein. Schließen Sie dann die Frontabdeckung. **(Abb. 15)**

### Einsetzen des Papierbeutels

1. Falten Sie den Einlass des Papierbeutels auf, bevor Sie ihn am Staubsackanschlag anbringen. **(Abb. 16)** Verwenden Sie den Staubsackanschlag auch zum Einsetzen des Papierbeutels. Achten Sie darauf, dass Sie nicht versehentlich die Oberseite mit der Unterseite verwechseln, weil sie unterschiedlich sind. **(Abb. 17)**
2. Führen Sie den Vorsprung des Papierbeutels in die Führungsnut des Staubsackanschlags ein, wie in der Abbildung gezeigt. **(Abb. 18)**
3. Es gibt keinen Unterschied zwischen der Ober- und Unterseite des Papierbeutels. Der Vorsprung beider Seiten kann in die untere Nut des Staubsackanschlags eingeführt werden. **(Abb. 19)**
4. Der Rahmen des Staubsackanschlags muss sich mit dem des Papierbeutels decken. **(Abb. 20)**
5. Setzen Sie den Papierbeutel zusammen mit dem Staubsackanschlag in der Richtung des Pfeils auf dem Staubsackanschlag in die Staubsackkammer ein. Führen Sie die Teile vollständig in die Schlitzle der Staubsackkammer ein. **(Abb. 21)**
6. Bringen Sie den gesamten Beutelteil des Papierbeutels im Gerät selbst unter. **(Abb. 22)**

#### HINWEIS:

- Der Papierbeutel ist ein Wegwerfartikel. Werfen Sie den ganzen Papierbeutel weg, ohne ihn zu entleeren, wenn er voll geworden ist.
- 7. Hängen Sie die Frontabdeckung in die Frontlippe des Staubsaugers ein. Schließen Sie dann die Frontabdeckung. **(Abb. 23)**

#### VORSICHT:

- Falls Sie keinen Staubsack oder Papierbeutel einsetzen, oder den Staubsackanschlag nicht zusammen mit dem Staubsack oder Papierbeutel vollständig in die Schlitzle einführen, oder einen beschädigten oder zerrissenen Sack oder Beutel benutzen, kann Staub in den Motor eindringen. Dies kann zu einem Ausfall des Motors führen.
- Unterlassen Sie Falten des Kartons an der Öffnung des Papierbeutels, wenn Sie diesen einsetzen.
- Werfen Sie auf keinen Fall den Staubsackanschlag weg, weil er zum Einsetzen des Staubsacks oder Papierbeutels wiederholt benutzt werden muss.

## BETRIEB

### Reinigen (Saugen)

#### Bürste (Abb. 24)

Bringen Sie die Bürste an, um Tische, Pulte, Möbelstücke usw. abzusaugen. Die Bürste lässt sich leicht aufstecken.

#### Bürste + Verlängerungsrohr (Gerades Rohr) (Abb. 25)

Das Verlängerungsrohr wird zwischen Bürste und Staubsauger angebracht. Diese Anordnung ist praktisch, um den Fußboden im Stehen zu saugen.

#### Spitzdüse (Abb. 26)

Bringen Sie die Spitzdüse an, um die Ecken und Ritzen eines Autos oder Möbelstücks zu reinigen.

#### Spitzdüse + Verlängerungsrohr (Gerades Rohr) (Abb. 27)

Benutzen Sie diese Anordnung in engen Zwischenräumen, in die der Staubsauger selbst nicht hineinpasst, oder an schwer erreichbaren hohen Orten.

## WARTUNG

### VORSICHT:

- Denken Sie vor der Durchführung von Überprüfungen oder Wartungsarbeiten stets daran, das Gerät auszuschalten.

### Nach der Benutzung (Abb. 28)

Hängen Sie den Staubsauger zum Laden oder Lagern durch Hochklappen des praktischen Aufhängers an der Rückseite an einen Nagel.

### Reinigen (Abb. 29 u. 30)

Wischen Sie die Außenseite (Gehäuse) des Staubsaugers von Zeit zu Zeit mit einem mit Seifenwasser getränkten Tuch ab. Reinigen Sie auch die Saugöffnung, den Staubsack/Papierbeutel-Montagebereich und den Staubsackanschlag.

### VORSICHT:

- Verwenden Sie auf keinen Fall Benzin, Verdüner oder dergleichen. Solche Mittel können eine Verfärbung verursachen.

Waschen Sie den Staubsack in Seifenwasser aus, wenn er mit Staub zugesetzt ist und die Saugleistung nachlässt. Lassen Sie ihn vor der Benutzung gründlich trocknen. Ein noch feuchter Staubsack kann schlechte Saugleistung verursachen und die Lebensdauer des Motors verkürzen.

### HINWEIS:

- Der Papierbeutel ist ein Wegwerfartikel.

Wenn der Schwammfilter mit Staub zugesetzt ist, nehmen Sie ihn aus dem Staubsauger heraus, und wischen Sie ihn ab, oder waschen Sie ihn in Wasser aus.

### Herausnehmen und Einsetzen des Schwammfilters (Abb. 31, 32 u. 33)

Entfernen Sie den Schwammfilter durch Zusammendrücken und Herausnehmen, nachdem Sie den Staubsack bzw. den Papierbeutel herausgenommen haben.

Drücken Sie die ganze Kante des Schwammfilters gegen die vertiefte Wand im Staubsack/Papierbeutel-Montagebereich.

### VORSICHT:

- Denken Sie daran, den Schwammfilter nach dem Reinigen wieder in den Staubsauger einzusetzen. Wenn er in Wasser ausgewaschen wurde, lassen Sie ihn vor dem Einsetzen trocknen. Ein noch feuchter Schwammfilter kann die Lebensdauer des Motors verkürzen.

### Entsorgen des Staubsaugers

Ein Ni-Cd-Akku ist in diesen Staubsauger eingebaut. Nehmen Sie diesen stets heraus, bevor Sie den Staubsauger entsorgen.

### Ausbauen des eingebauten Akkus

### VORSICHT:

- Der eingebaute Akku darf auf keinen Fall aus dem Staubsauger ausgebaut werden, außer wenn dieser entsorgt werden soll. Andernfalls besteht die Gefahr, dass der Akku beschädigt oder kurzgeschlossen wird.
- Die Kontakte dürfen nicht mit leitfähigem Material berührt werden.
- Lagern Sie den Akku nicht in einem Behälter zusammen mit anderen Metallgegenständen, wie z. B. Nägeln, Münzen usw.
- Setzen Sie den Akku weder Wasser noch Regen aus.
- Der Akku darf nicht zerlegt oder abgeändert werden.

1. Um den Rückdeckel zu entfernen, verschieben Sie ihn in Pfeilrichtung. (Abb. 34)
2. Ziehen Sie den eingebauten Akku halb heraus. (Abb. 35)
3. Trennen Sie die drei Verbindungskabel vom Akku, indem Sie die Klemme an Teil 25 in Pfeilrichtung schieben, wie in der Abbildung gezeigt, und dann die Kabel abziehen. Nehmen Sie dann den Akku vollständig heraus.
4. Legen Sie den ausgebauten Akku in eine Plastiktüte, damit er nicht kurzgeschlossen wird. (Abb. 36)

Um die SICHERHEIT und ZUVERLÄSSIGKEIT dieses Produkts zu gewährleisten, sollten Reparaturen und andere Wartungs- oder Einstellarbeiten nur von Makita-Vertragswerkstätten oder Makita-Kundendienstzentren unter ausschließlicher Verwendung von Makita-Originalersatzteilen ausgeführt werden.

## ZUBEHÖR

### VORSICHT:

- Die folgenden Zubehörteile oder Vorrichtungen werden für den Einsatz mit dem in dieser Anleitung beschriebenen Makita-Gerät empfohlen. Die Verwendung anderer Zubehörteile oder Vorrichtungen kann eine Verletzungsgefahr darstellen. Verwenden Sie Zubehörteile oder Vorrichtungen nur für ihren vorgesehenen Zweck.

Wenn Sie weitere Einzelheiten bezüglich dieser Zubehörteile benötigen, wenden Sie sich bitte an Ihre Makita-Kundendienststelle.

- Verlängerungsrohr (Gerades Rohr)
- Bürste
- Spitzdüse
- Staubsack
- Papierbeutel
- Staubsackanschlag
- Ladegerät DC7021

Visione generale

1 Connettore di carica	9 Scanalatura	18 Aspiratore
2 Spina di carica	10 Sacchetto polvere	19 Prolunga
3 Spia	11 Scanalatura inferiore	20 Accessorio per fessure
4 Interruttore	12 Cavità aspiratore	21 Filtro spugna
5 Leva	13 Gancio coperchio anteriore	22 Parete
6 Fermo polvere	14 Labbro frontale	23 Coperchio posteriore
7 Lato superiore fermo polvere	15 Gancio	24 Batteria
8 Lato inferiore fermo polvere	16 Pacco carta	25 Connettore
	17 Bocchetta	

**DATI TECNICI**

Modello		4076D
Capacità		500 ml (sacchetto polvere)
		330 ml (pacco carta)
Utilizzo continuo	Alto	10 min. circa
	Basso	20 min. circa
Lunghezza totale		446 mm (senza bocchetta) / 983 mm (con bocchetta)
Peso netto	senza bocchetta	1,1 kg
	con bocchetta	1,4 kg
Tensione nominale		C.c. 7,2 V

- Per il nostro continuo programma di ricerca e sviluppo, queste specifiche sono soggette a modifiche senza avviso.
- Nota: Le specifiche potrebbero essere diverse da Paese a Paese.

**Utilizzo prefissato**

Questo utensile è progettato per la raccolta della polvere.

**ISTRUZIONI IMPORTANTI PER LA SICUREZZA**

Utilizzando un elettrodomestico <sup>ENA005-1</sup> bisogna sempre seguire le precauzioni di base, comprese quelle seguenti:

**LEGGERE TUTTE LE ISTRUZIONI PRIMA DI USARE QUESTO ELETTRODOMESTICO.**

**ATTENZIONE** - Per ridurre il rischio d'incendio, scosse elettriche o incidenti:

1. Non esporre questo elettrodomestico alla pioggia. Conservarlo in interni.
2. Non permettere che venga usato come giocattolo. È necessaria una stretta sorveglianza se viene usato da o vicino a bambini.
3. Usarlo soltanto come descritto in questo manuale. Usare soltanto gli accessori consigliati dal produttore.
4. Non usarlo con una batteria danneggiata. Se questo elettrodomestico non funziona come dovrebbe, se è caduto, è danneggiato, è rimasto all'aperto o è caduto in acqua, portarlo a un centro di assistenza ai clienti.
5. Non maneggiare questo elettrodomestico con le mani bagnate.

6. **Non inserire alcun oggetto nelle aperture. Non usarlo con una qualsiasi apertura bloccata. Mantenerlo esente da polvere, filacce, capelli e tutto ciò che potrebbe ridurre il flusso dell'aria.**
7. **Tenere i capelli, gli abiti ampi e tutte le parti del corpo lontani dalle aperture e dalle parti mobili.**
8. **Disattivare tutti i comandi prima di rimuovere la batteria.**
9. **Fare particolarmente attenzione durante la pulizia delle scale.**
10. **Questo elettrodomestico non deve essere usato per aspirare sostanze infiammabili o combustibili, come la benzina, o dove esse potrebbero essere presenti.**
11. **Per la ricarica, usare soltanto il caricatore fornito dal produttore.**
12. **Questo elettrodomestico non deve essere usato per aspirare oggetti che bruciano o fumanti, come le sigarette, i fiammiferi o le ceneri calde.**
13. **Non usarlo senza i filtri in posizione.**
14. **Non caricare la batteria all'aperto.**

**CONSERVARE QUESTE ISTRUZIONI.**

Questo elettrodomestico è progettato per l'utilizzo domestico.

## REGOLE ADDIZIONALI PER LA SICUREZZA

ENB106-1

1. Leggere attentamente questo manuale di istruzioni e il manuale di istruzioni del caricatore prima dell'uso.
2. Non aspirare oggetti bagnati, sigarette accese o simili.
3. Smettere immediatamente l'uso se si nota qualcosa di anormale.
4. Se si fa cadere o si sbatte l'aspiratore, controllare attentamente se ci sono crepe o danni prima di usarlo.
5. Non caricare l'aspiratore vicino a pericolosi materiali infiammabili, come benzina, gas, vernici o adesivi.
6. Non caricare l'aspiratore su carta, panni, tappeti, vinile, ecc. Ciò potrebbe causare un incendio.
7. Non caricare l'aspiratore in un luogo polveroso.
8. Accertarsi che non ci sia nessuno sotto quando si usa l'aspiratore in un posto alto.
9. Non avvicinarlo a stufe o altre sorgenti di calore.
10. Non bloccare il foro di aspirazione o i fori di ventilazione.

## CONSERVARE QUESTE ISTRUZIONI.

## ISTRUZIONI IMPORTANTI PER LA SICUREZZA DELLA BATTERIA INCORPORATA

ENC008-1

1. Prima di usare la batteria incorporata, leggere tutte le istruzioni e gli avvisi cautelari (1) sul caricatore della batteria, (2) sulla batteria e (3) sul prodotto che usa la batteria.
2. La batteria incorporata non deve essere smontata.
3. Se il tempo d'utilizzo diventa eccessivamente breve, smettere immediatamente di usare l'aspiratore. C'è altrimenti pericolo di surriscaldamento, di possibili bruciature e anche di una esplosione.
4. Se l'elettrolito dovesse finire negli occhi, sciacquarli con acqua pulita e rivolgersi immediatamente a un medico. C'è pericolo di perdere la vista.
5. Non cortocircuitare la batteria incorporata:
  - (1) Non toccare i terminali con materiali conduttivi.
  - (2) Evitare di conservare la batteria incorporata in un contenitore insieme con altri oggetti metallici, come chiodi, monete, ecc.
  - (3) Non esporre la batteria incorporata all'acqua o alla pioggia.  
Il cortocircuito della batteria può causare un grande flusso di corrente, surriscaldamento, possibili bruciature e anche un guasto.
6. Non conservare l'utensile e la batteria incorporata in luoghi dove la temperatura potrebbe raggiungere o superare i 50 °C.
7. La batteria incorporata non deve essere bruciata, anche se è molto danneggiata o completamente usurata. La batteria incorporata può esplodere nel fuoco.
8. Fare attenzione che la batteria non cada o subisca colpi.

## CONSERVARE QUESTE ISTRUZIONI.

## Suggerimenti per ottenere la massima durata della vita della batteria

1. Caricare la batteria incorporata prima che si scarichi completamente.  
Arrestare sempre il funzionamento dell'utensile e caricare la batteria incorporata quando si nota una diminuzione di potenza.
2. Non si deve mai ricaricare una batteria completamente carica. La sovraccarica riduce la vita di servizio della batteria.
3. Caricare la batteria incorporata a una temperatura ambiente di 10 °C – 40 °C. Lasciare raffreddare una batteria calda prima di ricaricarla.

## DESCRIZIONE DEL FUNZIONAMENTO

### ATTENZIONE:

- Accertarsi sempre che l'utensile sia spento prima di regolare o di controllare il funzionamento dell'utensile.

### Carica della batteria incorporata (Fig. 1 e 2)

Per caricare questo aspiratore, usare soltanto il caricatore DC7021 Makita. L'impiego di altri tipi di caricatori potrebbe causare lo scoppio della batteria, con conseguenti incidenti e danni. Caricare l'aspiratore quando lo si usa per la prima volta, o se non è stato caricato per un lungo periodo di tempo. Collegare la spina di carica al connettore di carica, e collegare poi l'aspiratore a una presa di corrente. La spia davanti all'interruttore dell'aspiratore si accende e la carica comincia. La carica richiede circa 3 - 5 ore. La spia di carica si spegne al completamento della carica. Per maggiori dettagli sul caricatore, vedere il manuale di istruzioni.

### ATTENZIONE:

- Non far funzionare l'aspiratore durante la carica. Lo si potrebbe danneggiare.
- Staccare sempre la spina di carica dall'aspiratore dopo la carica.
- Quando si carica un nuovo aspiratore o un aspiratore che è stato lasciato scarico per un lungo periodo di tempo, esso potrebbe non accettare una carica completa. Questa è una condizione normale e non indica un problema. L'aspiratore può essere caricato completamente dopo che è stato scaricato completamente un paio di volte.
- Il tempo massimo di carica potrebbe essere di 9 ore, secondo la temperatura ambiente.

### Funzionamento dell'interruttore (Fig. 3)

### ATTENZIONE:

- Prima dell'uso, accertarsi sempre che il sacchetto polvere o il pacco carta sia installato correttamente nell'aspiratore. L'installazione sbagliata potrebbe far entrare la polvere nel motore causando un malfunzionamento dell'aspiratore.
- Spegnerne sempre l'aspiratore dopo l'uso, per evitare di danneggiarlo e per prolungare la vita di servizio della batteria.

Questo aspiratore può essere usato nelle funzioni di aspirazione "standard" e "forte". Per l'aspirazione standard, spingere l'interruttore in avanti sulla posizione LOW. Per l'aspirazione forte, spingere l'interruttore più in avanti sulla posizione HIGH.

Per fermare l'aspiratore, spingere indietro l'interruttore sulla posizione OFF.

## MONTAGGIO

### Smaltimento della polvere

#### ATTENZIONE:

- Svuotare l'aspiratore prima che diventi troppo pieno, perché altrimenti la forza di aspirazione si riduce.
- Svuotare l'aspiratore della polvere all'interno. In caso contrario, il filtro spugna potrebbe diventare intasato o si potrebbe danneggiare il motore.
- Non si deve mai gettar via il fermo polvere, perché deve essere usato ogni volta che si usa il sacchetto polvere o il pacco carta.

Spingere la parte A della leva e afferrarla. Aprirla tenendola afferrata. (Fig. 4 e 5)

Tirar fuori insieme allo stesso tempo entrambi il fermo polvere e il sacchetto polvere. (Fig. 6)

Rimuovere il fermo polvere e svuotare l'aspiratore. (Fig. 7 e 8)

### Sacchetto polvere e pacco carta

Installare il sacchetto polvere o il pacco carta prima di usare l'aspiratore.

Usare il fermo polvere quando si installa il sacchetto polvere o il pacco carta.

Il sacchetto polvere può essere usato molte volte ripetutamente pulendolo.

Il pacco carta è del tipo a perdere. Gettar via l'intero pacco carta senza svuotarlo quando diventa pieno.

### Installazione del sacchetto polvere

Usare il fermo polvere quando si installa il sacchetto polvere. Fare attenzione a non scambiare per sbaglio il lato superiore con quello inferiore del fermo polvere, perché sono diversi l'uno dall'altro. (Fig. 9)

1. Inserire la sporgenza del sacchetto polvere nella scanalatura del fermo polvere, come mostrato nella illustrazione. (Fig. 10)
2. Non c'è alcuna differenza tra il lato superiore e quello inferiore del sacchetto polvere. Si può inserire la sua sporgenza di qualsiasi lato nella scanalatura inferiore del fermo polvere. (Fig. 11)
3. Sovrapporre il telaio del fermo polvere a quello del sacchetto polvere. (Fig. 12)
4. Sistemare insieme il fermo polvere e il sacchetto polvere nella cavità aspiratore, nella stessa direzione della freccia sul fermo polvere. Inserirli completamente nelle fessure della cavità aspiratore. (Fig. 13)
5. Sistemare l'intera parte del panno del sacchetto polvere all'interno dell'utensile stesso. (Fig. 14)
6. Agganciare il coperchio anteriore al labbro frontale dell'aspiratore. Chiudere poi il coperchio anteriore. (Fig. 15)

### Installazione del pacco carta

1. Aprire l'ingresso del pacco carta prima di sistemarlo sul fermo polvere. (Fig. 16)  
Il fermo polvere va usato anche quando si installa il pacco carta. Fare attenzione a non scambiare per sbaglio il lato superiore con quello inferiore del fermo polvere, perché sono diversi l'uno dall'altro. (Fig. 17)
2. Inserire la sporgenza del pacco carta nella scanalatura del fermo polvere, come mostrato nella illustrazione. (Fig. 18)

3. Non c'è alcuna differenza tra il lato superiore e quello inferiore del pacco carta. Si può inserire la sua sporgenza di qualsiasi lato nella scanalatura inferiore del fermo polvere. (Fig. 19)
4. Sovrapporre il telaio del fermo polvere a quello del pacco carta. (Fig. 20)
5. Sistemare insieme il fermo polvere e il pacco carta nella cavità aspiratore, nella stessa direzione della freccia sul fermo polvere. Inserirli completamente nelle fessure della cavità aspiratore. (Fig. 21)
6. Sistemare l'intera parte del contenitore del pacco carta all'interno dell'utensile stesso. (Fig. 22)

#### NOTA:

- Il pacco carta è del tipo a perdere. Gettar via l'intero pacco carta senza svuotarlo quando diventa pieno.
- 7. Agganciare il coperchio anteriore al labbro frontale dell'aspiratore. Chiudere poi il coperchio anteriore. (Fig. 23)

#### ATTENZIONE:

- La polvere potrebbe entrare nel motore se ci si dimentica di installare il sacchetto polvere o il pacco carta, se non si inseriscono insieme completamente nelle fessure il fermo polvere e il sacchetto polvere o pacco carta, oppure se si usa un sacchetto polvere o pacco carta rotto o stracciato. Ciò potrebbe causare un guasto del motore.
- Non piegare il cartone sulla sua apertura quando si installa il pacco carta.
- Il fermo polvere non deve mai essere gettato via, perché deve essere usato ripetutamente ogni volta che si usa il sacchetto polvere o il pacco carta.

## OPERAZIONI

### Pulizia (Aspirazione)

#### Bocchetta (Fig. 24)

Attaccare la bocchetta per pulire i tavoli, le scrivanie, i mobili, ecc. La bocchetta si attacca facilmente.

#### Bocchetta + Prolunga (tubo dritto) (Fig. 25)

La prolunga va montata tra la bocchetta e l'aspiratore stesso. Questa disposizione è comoda per pulire il pavimento stando eretti.

#### Accessorio per fessure (Fig. 26)

Montare l'accessorio per fessure per la pulizia degli angoli e delle fessure di un'automobile o mobile.

#### Accessorio per fessure + Prolunga (tubo dritto) (Fig. 27)

Usare questa disposizione per la pulizia dei posti dove la bocchetta non può entrare, o di quelli alti difficili da raggiungere.

## MANUTENZIONE

### ATTENZIONE:

- Accertarsi sempre che l'utensile sia spento prima di procedere all'ispezione o alla manutenzione.

### Dopo l'uso (Fig. 28)

Per caricare o riporre l'aspiratore, appenderlo a un chiodo usando il comodo gancio sulla parte posteriore rialzandolo.

### Pulizia (Fig. 29 e 30)

Pulire ogni tanto l'esterno (corpo aspiratore) usando un panno bagnato con acqua e sapone. Pulire anche l'apertura di aspirazione, l'area di montaggio del sacchetto polvere/pacco carta e il fermo polvere.

### ATTENZIONE:

- Non si devono mai usare benzina, solventi e sostanze simili, perché possono causare scolorimenti o crepe.

Lavare il sacchetto polvere in acqua e sapone quando è intasato di polvere e la potenza dell'aspiratore si riduce. Asciugarlo completamente prima dell'uso. Se il sacchetto polvere non è sufficientemente asciutto, potrebbe causare una scarsa aspirazione e ridurre la vita di servizio del motore.

### NOTA:

- Il pacco carta è del tipo a perdere.

Quando il filtro spugna è intasato di polvere, rimuoverlo dall'aspiratore e pulirlo o lavarlo in acqua.

### Rimozione e installazione del filtro spugna

#### (Fig. 31, 32 e 33)

Per rimuovere il filtro spugna, rimuovere il sacchetto polvere o pacco carta, pizzicarlo con due dita ed estrarlo. Premere dentro l'intero bordo del filtro spugna contro la parete incavata all'interno dell'area di montaggio del sacchetto polvere/pacco carta.

### ATTENZIONE:

- Dopo aver pulito il filtro spugna, installarlo nell'aspiratore. Se è stato lavato in acqua, asciugarlo prima di installarlo. Se il filtro spugna non è sufficientemente asciutto, potrebbe ridurre la vita di servizio del motore.

### Rottamazione dell'aspiratore

Questo aspiratore incorpora una batteria Ni-Cd. Essa deve essere rimossa prima della rottamazione dell'aspiratore.

### Rimozione della batteria incorporata

#### ATTENZIONE:

- La batteria incorporata non deve mai essere rimossa se non al momento della rottamazione dell'aspiratore. Si potrebbe danneggiare la batteria o causare un cortocircuito.
- Non toccare i terminali con materiali conduttivi.
- Evitare di conservare la batteria in un contenitore insieme con altri oggetti metallici, come chiodi, monete, ecc.
- Non esporre la batteria all'acqua o alla pioggia.
- Non smontare o alterare la batteria.

1. Per rimuovere il coperchio posteriore, spingerlo nella direzione della freccia. (Fig. 34)
2. Estrarre a metà la batteria incorporata. (Fig. 35)

3. Scollegare i tre fili elettrici dalla batteria premendo il connettore sulla parte 25 nella direzione della freccia mostrata nella illustrazione e tirandoli. Estrarre poi completamente la batteria.
4. Mettere la batteria rimossa in un sacchetto di plastica, in modo che non si verifichi un cortocircuito. (Fig. 36)

Per preservare la SICUREZZA e l'AFFIDABILITÀ del prodotto, le riparazioni, qualsiasi altra manutenzione o regolazione devono essere eseguite da un rivenditore o Centro di Assistenza Makita autorizzati, usando sempre ricambi Makita.

## ACCESSORI

### ATTENZIONE:

- Si consigliano questi accessori o ricambi per l'uso con l'utensile Makita specificato in questo manuale. L'utilizzo di qualsiasi altro accessorio o ricambio potrebbe comportare il rischio di incidenti. Usare soltanto gli accessori o i ricambi per questo scopo prefissato.

Per maggiori dettagli riguardo a questi accessori, rivolgersi al Centro di Assistenza Makita locale.

- Prolunga (tubo dritto)
- Bocchetta
- Accessorio per fessure
- Sacchetto polvere
- Pacco carta
- Fermo polvere
- Caricatore DC7021

**Verklaring van algemene gegevens**

1 Oplaadaansluiting	10 Stoffen stofzak	18 Stofzuiger
2 Oplaadstekker	11 Onderste groef	19 Verlengbuis
3 Lampje	12 Opening in de stofzuiger	20 Hoekmondstuk
4 Aan/uit-schakelaar	13 Haak op de voorrand van het deksel	21 Sponsfilter
5 Hendel	14 Sleuf	22 Wand
6 Stofstopper	15 Haak	23 Achterkap
7 Bovenkant van de stofstopper	16 Papieren stofzak	24 Accueenheid
8 Onderkant van de stofstopper	17 Mondstuk	25 Stekker
9 Groef		

**TECHNISCHE GEGEVENS**

Model		4076D
Inhoud		500 ml (voor stoffen stofzak)
		330 ml (voor papieren stofzak)
Ononderbroken gebruik	Hoog	Ong. 10 min.
	Laag	Ong. 20 min.
Totale lengte		446 mm (zonder mondstuk) en 983 mm (met mondstuk)
Netto gewicht	zonder mondstuk	1,1 kg
	met mondstuk	1,4 kg
Nominale spanning		7,2 V gelijkstroom

- Als gevolg van ons doorlopende onderzoeks- en ontwikkelingsprogramma, zijn de technische gegevens onderhevig aan veranderingen zonder voorafgaande kennisgeving.
- Opmerking: De technische gegevens kunnen van land tot land verschillen.

**Gebruiksdoelinden**

Het gereedschap is bedoeld om droog stof te verzamelen.

**BELANGRIJKE VEILIGHEIDSinSTRUCTIES**

ENA005-1

Bij het gebruik van een elektrisch apparaat, moeten basisvoorzorgsmaatregelen altijd worden genomen, waaronder de volgende:

**LEES ALLE INSTRUCTIES ALVORENS DIT APPARAAT TE GEBRUIKEN.**

**WAARSCHUWING** - Om de kans op brand of een elektrische schok te verkleinen:

1. Stel niet bloot aan regen. Bewaar binnenshuis.
2. Sta niet toe dat ermee gespeeld wordt. Let goed op bij gebruik in de buurt van kinderen.
3. Gebruik uitsluitend zoals beschreven in deze gebruiksaanwijzing. Gebruik uitsluitend hulpstukken aanbevolen door de fabrikant.
4. Gebruik nooit met een beschadigde accu. Als het apparaat niet werkt zoals het zou moeten werken, is gevallen, is beschadigd buiten heeft gelegen of in het water is gevallen, stuurt u het terug naar een servicecentrum.
5. Hanteer het apparaat niet met natte handen.

6. Steek geen voorwerpen in de openingen. Gebruik het apparaat niet wanneer een opening verstopt zit, houd het apparaat vrij van stof, pluizen, haar en alles wat de luchtdoorstroming kan hinderen.
7. Houd haar, loshangende kleding, vingers en alle lichaamsdelen uit de buurt van de openingen en bewegende delen.
8. Schakel alle knoppen uit alvorens de accu eraf te halen.
9. Wees extra voorzichtig bij gebruik op een trap.
10. Zuig geen ontvlambare of brandbare vloeistoffen, zoals benzine, op en gebruik het niet op plaatsen waar deze aanwezig kunnen zijn.
11. Gebruik voor het opladen uitsluitend de acculader die door de fabrikant werd geleverd.
12. Zuig niets op dat brandt of rookt, zoals sigaretten, lucifers of hete as.
13. Gebruik het apparaat niet zonder dat de filters zijn aangebracht.
14. Laad de accu niet buitenshuis op.

**BEWAAR DEZE INSTRUCTIES.**

Dit apparaat is bedoeld voor huishoudelijk gebruik.

**AANVULLENDE VEILIGHEIDSVoORSCHRIFTEN**

ENB106-1

1. Lees deze gebruiksaanwijzing en die van de acculader voor gebruik aandachtig door.
2. Zuig geen natte materialen, brandende sigaretten en dergelijke op.
3. Stop onmiddellijk met het gebruik als u iets abnormaals opmerkt.

4. Als u de stofzuiger laat vallen of ergens tegenaan stoot, controleert u zorgvuldig op barsten of beschadigingen voordat u deze weer gebruikt.
5. Laad de stofzuiger niet op in de buurt van gevaarlijke, ontvlambare materialen, zoals benzine, gas, verf of lijm.
6. Laad de stofzuiger niet op bovenop papier, doek, tapijt, vinyl, enz. Hierdoor kan brandt ontstaan.
7. Laad de stofzuiger niet op een stoffige plaats op.
8. Zorg ervoor dat er niemand zich onder u bevindt wanneer u de stofzuiger op een hoge plaats gebruikt.
9. Houd uit de buurt van fornuizen en verwarmingsbronnen.
10. **Blokkeer de inlaatopening en de ventilatieopeningen niet.**

## **BEWAAR DEZE INSTRUCTIES.**

## **BELANGRIJKE VEILIGHEIDSIINSTRUCTIES VOOR INGEBOUWDE ACCU**

ENC008-1

1. Alvorens de ingebouwde accu in gebruik te nemen, leest u eerst alle instructies en waarschuwingsofschriften op (1) de acculader, (2) de accu en (3) het apparaat waarin de accu wordt aangebracht.
2. Haal de ingebouwde accu niet uit elkaar.
3. Als de gebruikstijd aanzienlijk korter is geworden, stopt u onmiddellijk met het gebruik. Anders kan dit leiden tot oververhitting, mogelijke brandwonden en zelfs een explosie.
4. Als de elektrolyt in uw ogen komt, wast u deze uit met schoon water en raadpleegt u onmiddellijk een arts. Dit kan leiden tot verlies van gezichtsvermogen.
5. Sluit de ingebouwde accu niet kort:
  - (1) Raak de accupolen niet aan met enig geleidend materiaal.
  - (2) Bewaar de ingebouwde accu niet op een plaats waar deze in aanraking kan komen met andere metalen voorwerpen, zoals spijkers, munten, enz.
  - (3) Stel de ingebouwde accu niet bloot aan water of regen. Kortsluiting van de accu kan leiden tot een hoge stroomsterkte, oververhitting, mogelijke brandwonden en zelfs een defect.
6. Bewaar het gereedschap en de ingebouwde accu niet op plaatsen waar de temperatuur kan oplopen tot 50 °C of hoger.
7. Werp de ingebouwde accu niet in een vuur, zelfs niet als deze al ernstig beschadigd of helemaal versleten is. De ingebouwde accu kan in een vuur exploderen.
8. Wees voorzichtig dat u de accu niet laat vallen of ergens tegenaan stoot.

## **BEWAAR DEZE INSTRUCTIES.**

## **Tips voor een lange levensduur van de accu**

1. Laad de ingebouwde accu op voordat deze volledig leeg is. Wanneer u merkt dat het gereedschap minder vermogen heeft, stopt u met het gebruik ervan en laadt u eerst de ingebouwde accu op.
2. Laad nooit een volledig opgeladen ingebouwde accu op. Te lang opladen verkort de levensduur van de accu.
3. Laad de ingebouwde accu op bij een omgevingstemperatuur van 10 °C tot 40 °C. Laad een warme ingebouwde accu eerst afkoelen voordat u deze oplaadt.

## **BESCHRIJVING VAN DE FUNCTIES**

### **LET OP:**

- Controleer altijd of het gereedschap is uitgeschakeld alvorens de functies van het gereedschap te controleren of af te stellen.

### **De ingebouwde accu opladen (Fig. 1 en 2)**

Gebruik uitsluitend Makita-acculader DC7021 om deze stofzuiger op te laden. Als u een andere acculader gebruikt, kan de accu barsten waardoor persoonlijk letsel en schade wordt veroorzaakt. Laad de stofzuiger op wanneer deze voor het eerst wordt gebruikt of gedurende een lange tijd onopgeladen heeft gelegen. Steek de oplaadstekker in de oplaadaansluiting en steek daarna de stekker van de acculader in het stopcontact. Het lampje aan de voorkant van de aan/uit-schakelaar gaat aan en het opladen begint. Het opladen duurt ongeveer 3 tot 5 uur. Nadat het opladen klaar is, gaat het lampje uit. Raadpleeg de gebruiksaanwijzing van de acculader voor meer informatie.

### **LET OP:**

- Bedien de stofzuiger niet tijdens het opladen. Hij kan hierdoor beschadigd worden.
- Trek na het opladen altijd de oplaadplug uit de oplaadaansluiting van de acculader.
- Als u een nieuwe stofzuiger oplaadt of een stofzuiger oplaadt die gedurende een lange tijd onopgeladen heeft gelegen, is het mogelijk dat volledig opladen niet mogelijk is. Dit is een normale situatie en duidt niet op een probleem. U kunt de stofzuiger volledig opladen nadat deze enkele malen geheel ontladen is geweest.
- De oplaadtijd kan oplopen tot maximaal 9 uur, afhankelijk van de kamertemperatuur.

### **Werking van de aan/uit-schakelaar (Fig. 3)**

### **LET OP:**

- Controleer voor gebruik altijd of de stoffen stofzak of de papieren stofzak goed in de stofzuiger is geplaatst. Door een onjuiste plaatsing kan stof in de motor binnendringen, waardoor een storing in de motor optreedt.
- Schakel de stofzuiger na ieder gebruik altijd uit om beschadiging van de stofzuiger te voorkomen en de gebruiksduur van de accu te verlengen.

Deze stofzuiger kan worden gebruikt met "standaard" en "sterke" zuigkracht. Voor standaard zuigkracht, schuift u de schakelaar naar voren in de stand LOW. Voor sterke zuigkracht, schuift u de schakelaar door naar de stand HIGH.

Om de stofzuiger te stoppen, schuift u de schakelaar terug naar de stand OFF.



## INEENZETTEN

### Het stof weggooiën

#### LET OP:

- Leeg de stofzuiger voordat deze te vol raakt omdat dan de zuigkracht afneemt.
- Vergeet niet het stof in de stofzuiger zelf weg te gooien. Als u dit nalaat, kan het sponsfilter verstopt raken of de motor beschadigd raken.
- Gooi de stofstopper nooit weg omdat deze iedere keer moet worden gebruikt wanneer de stoffen stofzak of de papieren stofzak wordt gebruikt.

Duw op deel A van de hendel en pak deze vast. Trek de hendel omhoog. (Fig. 4 en 5)

Trek zowel de stofstopper als de stofzak tegelijk eruit. (Fig. 6)

Haal de stofstopper eraf en leeg de stoffen stofzak. (Fig. 7 en 8)

### Stoffen stofzak en papieren stofzak

Plaats een stoffen stofzak of een papieren stofzak voordat u de stofzuiger gebruikt.

Gebruik de stofstopper wanneer u een stoffen stofzak of een papieren stofzak plaatst.

Een stofzak kan vele malen gebruikt worden door deze regelmatig te legen.

De papieren stofzak is voor eenmalig gebruik. Als deze vol is, gooit u de hele papieren stofzak weg zonder deze te legen.

### Een stoffen stofzak plaatsen

Gebruik de stofstopper bij het plaatsen van een stoffen stofzak. Wees voorzichtig de bovenkant en onderkant niet per ongeluk te verwisselen omdat deze van elkaar verschillen. (Fig. 9)

1. Steek het uitsteeksel van de stoffen stofzak in de groef van de stofstopper, zoals aangegeven in de afbeelding. (Fig. 10)
2. Er is geen verschil tussen de onder- en bovenkant van de stoffen stofzak. U mag het uitsteeksel van de onder- of bovenkant van de stofzak in de onderste groef van de stofstopper steken. (Fig. 11)
3. Laat de rand van de stofstopper over de rand van de stoffen stofzak vallen. (Fig. 12)
4. Steek de stofstopper en de stoffen stofzak tezamen in de opening van de stofzuiger in de richting van de pijl op de stofstopper. Steek deze helemaal in de sleuven in de opening van de stofzuiger. (Fig. 13)
5. Steek het gehele stoffen deel van de stoffen stofzak in de stofzuiger. (Fig. 14)
6. Haak het deksel in de sleuf van de stofzuiger. Sluit daarna het deksel. (Fig. 15)

### Een papieren stofzak plaatsen

1. Vouw de ingang van de papieren stofzak open voordat u deze op de stofstopper plaatst. (Fig. 16) Gebruik de stofstopper ook bij het plaatsen van een papieren stofzak. Wees voorzichtig de bovenkant en onderkant niet per ongeluk te verwisselen omdat deze van elkaar verschillen. (Fig. 17)
2. Steek het uitsteeksel van de papieren stofzak in de groef van de stofstopper, zoals aangegeven in de afbeelding. (Fig. 18)
3. Er is geen verschil tussen de onder- en bovenkant van de papieren stofzak. U mag het uitsteeksel van de onder- of bovenkant van de stofzak in de onderste groef van de stofstopper steken. (Fig. 19)
4. Laat de rand van de stofstopper over de rand van de papieren stofzak vallen. (Fig. 20)
5. Steek de stofstopper en de papieren stofzak tezamen in de opening van de stofzuiger in de richting van de pijl op de stofstopper. Steek deze helemaal in de sleuven in de opening van de stofzuiger. (Fig. 21)
6. Steek het gehele papieren deel van de papieren stofzak in de stofzuiger. (Fig. 22)

#### OPMERKING:

- De papieren stofzak is voor eenmalig gebruik. Als deze vol is, gooit u de hele papieren stofzak weg zonder deze te legen.
- 7. Haak het deksel in de sleuf van de stofzuiger. Sluit daarna het deksel. (Fig. 23)

#### LET OP:

- Als u vergeet een stoffen of papieren stofzak in de stofzuiger te plaatsen, als u nalaat de stofstopper tezamen met de stoffen of papieren stofzak helemaal in de sleuven te steken, of als u een kapotte of gescheurde stofzak gebruikt, kan stof in de motor binnendringen. Hierdoor kan een storing in de motor optreden.
- Vouw het karton bij de opening niet dubbel bij het plaatsen van de papieren stofzak.
- Gooi de stofstopper nooit weg omdat deze iedere keer moet worden gebruikt wanneer de stoffen stofzak of de papieren stofzak wordt gebruikt.

## BEDIENING

### Schoonmaken (zuigen)

#### Mondstuk (Fig. 24)

Bevestig het mondstuk voor het schoonmaken van tafels, bureaus, meubels, enz. Het mondstuk kan eenvoudig op de stofzuiger worden geplaatst.

#### Mondstuk + verlengbuis (rechte buis) (Fig. 25)

De verlengbuis past tussen het mondstuk en de stofzuigermond. Deze werkwijze is handig bij het schoonmaken van de grond terwijl u rechtop staat.

#### Hoekmondstuk (Fig. 26)

Bevestig het hoekmondstuk voor het schoonmaken van hoeken en spleten van meubels of in auto's.

#### Hoekmondstuk + verlengbuis (rechte buis) (Fig. 27)

In kleine ruimten waar de stofzuiger zelf niet in past, of op hoge plaatsen die moeilijk te bereiken zijn, gebruikt u deze werkwijze.

## ONDERHOUD

### LET OP:

- Zorg er altijd voor dat het gereedschap is uitgeschakeld voordat u een inspectie of onderhoud uitvoert.

### Na gebruik (Fig. 28)

Tijdens het opladen of bewaren kunt u de stofzuiger aan een haak hangen door het handige ophangoog op de achterkant omhoog te zetten.

### Schoonmaken (Fig. 29 en 30)

Veeg regelmatig de buitenkant (behuizing) van de stofzuiger schoon met een in zeepwater bevochtigde doek. Maak tevens de stofzuigermond, opening voor de stoffen/papieren stofzak en de stofstopper schoon.

### LET OP:

- Gebruik nooit benzine, thinner en dergelijke. Hierdoor het verkleuring optreden of kunnen barsten worden veroorzaakt.

Was de stoffen stofzak in zeepwater als deze verstopt zit met stof en de zuigkracht van de stofzuiger sterk is afgenomen. Droog deze goed alvorens weer te gebruiken. Een onvoldoende droge stoffen stofzak kan leiden tot slecht zuigen en kan de levensduur van de motor verkorten.

### OPMERKING:

- De papieren stofzak is voor eenmalig gebruik.

Als het sponsfilter verstopt zit met stof, haalt u deze uit de stofzuiger en veegt u deze schoon of wast u deze in water.

### Het sponsfilter eruit halen en terugplaatsen

#### (Fig. 31, 32 en 33)

Om het sponsfilter eruit te halen, haalt u eerst de stoffen of papieren stofzak eruit, knijpt u in het sponsfilter en trekt u het eruit.

Duw de hele rand van het sponsfilter tegen de achterwand binnenin de opening voor de stoffen/papieren stofzak.

### LET OP:

- Vergeet na het schoonmaken van het sponsfilter niet om deze weer terug te plaatsen in de stofzuiger. Als het sponsfilter in water is gewassen, laat u het drogen voordat u het terugplaatst. Een onvoldoende droog sponsfilter kan de levensduur van de motor verkorten.

### De stofzuiger weggooien

In deze stofzuiger zit een nikkelcadmiumaccu. Haal deze er altijd uit voordat u de stofzuiger weggooit.

### De ingebouwde accu eruit halen

#### LET OP:

- Haal nooit de ingebouwde accu uit de stofzuiger, behalve wanneer u de stofzuiger weggooit. De accu zal worden beschadigd of er kan kortsluiting in de accu ontstaan.
- Raak de accupolen niet aan met enig geleidend materiaal.
- Bewaar de accueenheid niet op een plaats waar deze in aanraking kan komen met andere metalen voorwerpen, zoals spijkers, munten, enz.
- Stel de accueenheid niet bloot aan water of regen.
- Haal de accueenheid niet uit elkaar en breng geen veranderingen aan.

1. Om de achterkap eraf te halen, duwt u deze in de richting van de pijl. (Fig. 34)
2. Trek de ingebouwde accu er tot halverwege uit. (Fig. 35)
3. Koppel de drie voedingsdraden los van de accu door op deel 25 van de stekker te drukken in de richting van de pijl aangegeven in de afbeelding, en eraan te trekken. Trek daarna de accueenheid er helemaal uit.
4. Doe de verwijderde accueenheid in een plasticzak zodat deze niet kortgesloten kan worden. (Fig. 36)

Om de VEILIGHEID en BETROUWBAARHEID van het gereedschap te handhaven, dienen alle reparaties, onderhoud en afstellingen te worden uitgevoerd door een erkend Makita-servicecentrum of de Makita-fabriek, en altijd met gebruikmaking van originele Makita-ervangingsonderdelen.

## ACCESSOIRES

### LET OP:

- Deze accessoires of hulpstukken worden aanbevolen voor gebruik met het Makita-gereedschap dat in deze gebruiksaanwijzing wordt beschreven. Het gebruik van andere accessoires of hulpstukken kan gevaar op persoonlijk letsel opleveren. Gebruik de accessoires of hulpstukken uitsluitend voor de aangegeven gebruiksdoeleinden.

Mocht u meer informatie willen hebben over deze accessoires, dan kunt u contact opnemen met uw plaatselijke Makita-servicecentrum.

- Verlengbuis (rechte buis)
- Mondstuk
- Hoekmondstuk
- Stoffen stofzak
- Papieren stofzak
- Stofstopper
- Acculader DC7021

**Explicación de los dibujos**

- |                                     |                                  |                           |
|-------------------------------------|----------------------------------|---------------------------|
| 1 Conector de carga                 | 9 Ranura                         | 18 Aspirador              |
| 2 Clavija de carga                  | 10 Bolsa de polvo                | 19 Tubo de extensión      |
| 3 Lámpara                           | 11 Ranura inferior               | 20 Boquilla para esquinas |
| 4 Interruptor                       | 12 Cavidad del aspirador         | 21 Filtro de esponja      |
| 5 Palanca                           | 13 Gancho de la cubierta frontal | 22 Pared                  |
| 6 Tapón de polvo                    | 14 Labio frontal                 | 23 Cubierta posterior     |
| 7 Parte superior del tapón de polvo | 15 Gancho                        | 24 Unidad de batería      |
| 8 Parte inferior del tapón de polvo | 16 Paquete de papel              | 25 Conector               |
|                                     | 17 Boquilla                      |                           |

**ESPECIFICACIONES**

Modelo		4076D
Capacidad		500 ml (para bolsa de polvo)
		330 ml (para paquete de papel)
Utilización continua	Alta	Aprox. 10 min.
	Baja	Aprox. 20 min.
Longitud total		446 mm (sin boquilla) / 983 mm (con boquilla)
Peso neto	sin boquilla	1,1 kg
	con boquilla	1,4 kg
Tensión nominal		CC 7,2 V

- Debido a nuestro continuo programa de investigación y desarrollo, las especificaciones en este manual están sujetas a cambio sin previo aviso.
- Nota: Las especificaciones pueden variar de un país a otro.

**Uso previsto**

La herramienta ha sido prevista para recoger polvo seco.

**INSTRUCCIONES DE SEGURIDAD IMPORTANTES**

ENA005-1

Quando se utiliza un aparato eléctrico, siempre se deben tomar precauciones básicas, incluidas las siguientes:

**LEA TODAS LAS INSTRUCCIONES ANTES DE UTILIZAR EL APARATO.**

**ADVERTENCIA** - Para reducir el riesgo de sufrir un incendio, una descarga eléctrica o heridas:

1. No exponga el aparato a la lluvia. Almacene el aparato en interiores.
2. No permita que el aparato sea utilizado como juguete. Es necesario prestar mucha atención cuando el aparato es utilizado cerca de niños.
3. Utilice el aparato solamente de la forma descrita en este manual. Utilice solamente los accesorios recomendados por el fabricante.
4. No utilice el aparato con una batería dañada. Si el aparato no está funcionando como es debido, si se ha dejado caer, se ha dañado, se ha dejado en exteriores, o se ha caído al agua, llévelo a un centro de servicio.
5. No maneje el aparato con las manos mojadas.

6. No ponga ningún objeto dentro de las aberturas. No utilice el aparato con ninguna de sus aberturas bloqueada; manténgalo libre de polvo, hilachas, pelo, y cualquier cosa que pueda reducir la circulación del aire.
7. Mantenga el pelo, ropa holgada, dedos, y todas las partes del cuerpo alejadas de las aberturas y partes en movimiento.
8. Desactive todos los controles antes de extraer la batería.
9. Utilice cuidado especial cuando limpie en escaleras.
10. No utilice el aparato para recoger líquidos inflamables o combustibles, tal como gasolina, ni en áreas donde pueda haber tales líquidos.
11. Utilice solamente el cargador suministrado por el fabricante para recargar.
12. No recoja nada que esté quemándose o echando humo, tal como cigarrillos, cerillas, o cenizas calientes.
13. No utilice el aparato sin los filtros instalados.
14. No cargue la batería en exteriores.

**GUARDE ESTAS INSTRUCCIONES.**

Este aparato ha sido previsto para ser utilizado en el hogar.

## NORMAS DE SEGURIDAD ADICIONALES

ENB106-1

1. Lea este manual de instrucciones y el manual de instrucciones del cargador atentamente antes de utilizar el aparato.
2. No recoja materiales mojados, cigarrillos encendidos o sustancias similares.
3. Detenga inmediatamente la operación si nota algo anormal.
4. Si deja caer o golpea el aspirador, compruebe atentamente si tiene grietas o algún daño antes de iniciar la operación.
5. No cargue el aspirador cerca de materiales inflamables tales como gasolina, gas, pintura o adhesivos.
6. No cargue el aspirador sobre papel, ropa, alfombra, vinilo, etc. Ello podría ocasionar un incendio.
7. No cargue el aspirador en un lugar polvoriento.
8. Asegúrese de no haya nadie debajo cuando utilice el aspirador en lugares altos.
9. No lo acerque a estufas u otras fuentes de calor.
10. No bloquee el orificio de admisión ni los orificios de ventilación.

### GUARDE ESTAS INSTRUCCIONES.

## INSTRUCCIONES DE SEGURIDAD IMPORTANTES PARA LA BATERÍA INCORPORADA

ENC008-1

1. Antes de utilizar la batería incorporada, lea todas las instrucciones y símbolos de precaución de (1) el cargador de batería, (2) la batería, y (3) el producto que utiliza batería.
2. No desarme la batería incorporada.
3. Si el tiempo de utilización se ha acortado excesivamente, detenga la operación inmediatamente. Podría resultar en un riesgo de recalentamiento, posibles quemaduras e incluso una explosión.
4. Si entra electrólito en sus ojos, aclárelos con agua clara y busque atención médica inmediatamente. Podría resultar en la pérdida de su vista.
5. No cortocircuite la batería incorporada:
  - (1) No toque los terminales con ningún material conductor.
  - (2) Evite almacenar la batería incorporada en un recipiente con otros objetos metálicos tales como clavos, monedas, etc.
  - (3) No exponga la batería incorporada al agua ni a la lluvia.  
Un cortocircuito en la batería puede ocasionar un gran flujo de corriente, recalentamiento, posibles quemaduras e incluso una avería.
6. No almacene la herramienta y la batería incorporada en lugares donde la temperatura pueda alcanzar o exceder los 50 °C (122 °F).
7. No incinere la batería incorporada aunque esté seriamente dañada o completamente inutilizable. La batería incorporada puede explotar con el fuego.
8. Tenga cuidado de no dejar caer o golpear la batería.

### GUARDE ESTAS INSTRUCCIONES.

## Sugerencias para alargar al máximo la vida de servicio de la batería

1. Cargue la batería incorporada antes de que se haya descargado completamente. Detenga siempre la operación y cargue la batería incorporada cuando note una disminución de la potencia.
2. No cargue nunca una batería incorporada que esté completamente cargada. La sobrecarga acorta la vida de servicio de la batería.
3. Cargue la batería incorporada a una temperatura ambiente de 10 °C – 40 °C (50 °F – 104 °F). Deje que una batería incorporada caliente se enfríe antes de cargarla.

## DESCRIPCIÓN DEL FUNCIONAMIENTO

### PRECAUCIÓN:

- Asegúrese siempre de que la herramienta está apagada antes de ajustar o comprobar una función de la herramienta.

### Carga de la batería incorporada (Fig. 1 y 2)

Utilice solamente el cargador Makita DC7021 para cargar este aspirador. La utilización de otros cargadores puede ocasionar una explosión de la batería, resultando en heridas personales y daños. Cargue el aspirador cuando vaya a ser utilizado por primera vez o haya sido dejado sin cargar durante un tiempo largo. Conecte la clavija de carga al conector de carga, después enchufe el cargador a la toma de corriente. La luz frente del interruptor del aspirador se encenderá y comenzará la carga. La carga lleva aproximadamente 3 - 5 horas. La luz se apagará después de haberse completado la carga. Consulte el manual de instrucciones del cargador para ver más detalles.

### PRECAUCIÓN:

- No utilice el aspirador durante la carga. Podría dañarse.
- Desconecte siempre la clavija de carga del aspirador después de efectuar la carga.
- Cuando cargue un aspirador nuevo o un aspirador que haya sido dejado sin cargar durante un tiempo largo, es posible que el aspirador no acepte una carga completa. Esto es una condición normal y no indica un problema. Podrá cargar el aspirador totalmente después de descargarlo completamente un par de veces.
- El tiempo de carga máximo podrá ser de 9 horas dependiendo de la temperatura ambiente.

### Accionamiento del interruptor (Fig. 3)

### PRECAUCIÓN:

- Asegúrese siempre de que la bolsa de polvo o paquete de papel está instalado debidamente en el aspirador antes de utilizarlo. Una instalación incorrecta puede permitir que el polvo entre en el motor, resultando en un mal funcionamiento del aspirador.
- Apague siempre el aspirador después de cada utilización para evitar dañarlo y para alargar la vida de servicio de las baterías.

Este aspirador puede utilizarse en succión "normal" y "fuerte". Para succión normal, deslice el interruptor hacia delante hasta la posición LOW. Para succión fuerte, deslice el interruptor aún más hasta la posición HIGH. Para detener el aspirador, deslice el interruptor de vuelta a la posición OFF.

## MONTAJE

### Eliminación del polvo

#### PRECAUCIÓN:

- Vacíe el aspirador antes de que se llene demasiado, o la fuerza de succión se debilitará.
- Asegúrese de vaciar el polvo dentro del propio aspirador. De lo contrario, el filtro de esponja podrá obstruirse o dañarse el motor.
- No tire nunca el tapón de polvo porque deberá ser utilizado siempre que se use la bolsa de polvo o el paquete de papel.

Presione la parte A de la palanca y agárrela. Ábrala a la vez que la agarra. (Fig. 4 y 5)

Extraiga el tapón de polvo y la bolsa de polvo los dos al mismo tiempo. (Fig. 6)

Quite el tapón de polvo y vacíe el aspirador. (Fig. 7 y 8)

### Bolsa de polvo y paquete de papel

Instale la bolsa de polvo o bien el paquete de papel antes de utilizar el aspirador.

Utilice el tapón de polvo cuando instale la bolsa de polvo o el paquete de papel.

La bolsa de polvo se puede utilizar muchas veces repetidamente limpiándola.

El paquete de papel es de tipo desechable. Tire el paquete de papel entero sin vaciarlo cuando se haya llenado.

### Instalación de la bolsa de polvo

Utilice el tapón de polvo cuando instale la bolsa de polvo. Tenga cuidado de no confundir la parte superior con la parte inferior porque son diferentes la una a la otra. (Fig. 9)

1. Inserte la protuberancia de la bolsa de polvo en la ranura del tapón de polvo como se muestra en la figura. (Fig. 10)
2. No hay distinción entre las partes superior e inferior de la bolsa de polvo. Puede insertar la protuberancia de cualquiera de sus partes en la ranura inferior del tapón de polvo. (Fig. 11)
3. Sobreponga el armazón del tapón de polvo sobre el de la bolsa de polvo. (Fig. 12)
4. Ponga el tapón de polvo y la bolsa de polvo juntos dentro de la cavidad del aspirador en la misma dirección que la indicada por la flecha del tapón de polvo. Insértelos a tope en las ranuras de la cavidad del aspirador. (Fig. 13)
5. Ponga toda la parte de tela de la bolsa de polvo dentro de la propia herramienta. (Fig. 14)
6. Enganche la cubierta frontal en el labio frontal del aspirador. Después cierre la cubierta frontal. (Fig. 15)

### Instalación del paquete de papel

1. Desdoble la entrada del paquete de papel antes de colocarla en el tapón de polvo. (Fig. 16)  
Utilice el tapón de polvo también cuando instale el paquete de papel. Tenga cuidado de no confundir la parte superior con la parte inferior porque son diferentes la una a la otra. (Fig. 17)
2. Inserte la protuberancia del paquete de papel en la ranura del tapón de polvo como se muestra en la figura. (Fig. 18)

3. No hay distinción entre las partes superior e inferior del paquete de papel. Puede insertar la protuberancia de cualquiera de sus partes en la ranura inferior del tapón de polvo. (Fig. 19)
4. Sobreponga el armazón del tapón de polvo sobre el del paquete de papel. (Fig. 20)
5. Ponga el tapón de polvo y el paquete de papel juntos dentro de la cavidad del aspirador en la misma dirección que la indicada por la flecha del tapón de polvo. Insértelos a tope en las ranuras de la cavidad del aspirador. (Fig. 21)
6. Ponga toda la parte del recipiente del paquete de papel dentro de la propia herramienta. (Fig. 22)

#### NOTA:

- El paquete de papel es de tipo desechable. Cuando se haya llenado, tire el paquete de papel entero sin vaciarlo.
- 7. Enganche la cubierta frontal en el labio frontal del aspirador. Después cierre la cubierta frontal. (Fig. 23)

#### PRECAUCIÓN:

- Si se olvida de instalar la bolsa de polvo o el paquete de papel, o si no inserta el tapón de polvo junto con la bolsa de polvo o el paquete de papel a fondo dentro de las ranuras o si utiliza una bolsa rota o rasgada, el polvo podrá entrar en el motor. Ello podrá resultar en un fallo del motor.
- No doble el cartón en su abertura cuando instale el paquete de papel.
- No tire nunca el tapón de polvo porque necesita ser utilizado repetidamente siempre que se use la bolsa de polvo o el paquete de papel.

## OPERACIÓN

### Limpieza (Succión)

#### Boquilla (Fig. 24)

Coloque la boquilla para limpiar mesas, escritorios, muebles, etc. La boquilla se desliza fácilmente.

#### Boquilla + Tubo de extensión (Tubo recto) (Fig. 25)

El tubo de extensión se encaja entre la boquilla y el propio aspirador. Esta disposición resulta útil para limpiar un suelo estando de pie.

#### Boquilla para esquinas (Fig. 26)

Encaje la boquilla para esquinas para limpiar esquinas y resquicios de un automóvil o mueble.

#### Boquilla para esquinas + Tubo de extensión (Tubo recto) (Fig. 27)

En espacios reducidos donde el propio aspirador no puede entrar, o en lugares altos difíciles de alcanzar, utilice esta disposición.

## MANTENIMIENTO

### PRECAUCIÓN:

- Asegúrese siempre de que la herramienta está apagada antes de intentar realizar una inspección o mantenimiento.

### Después de la utilización (Fig. 28)

Cuando vaya a cargar o almacenar el aspirador, cuélguelo de un clavo utilizando el útil colgador de la parte trasera levantándolo.

### Limpieza (Fig. 29 y 30)

De vez en cuando, limpie el exterior (cuerpo del aspirador) del aspirador utilizando un paño humedecido en agua jabonosa. Limpie también la abertura de succión, el área de montaje de la bolsa de polvo/paquete de papel y el tapón de polvo.

### PRECAUCIÓN:

- No utilice nunca gasolina, disolvente o sustancias similares. Podría resultar en descoloración o grietas.

Lave la bolsa de papel en agua jabonosa cuando esté obstruida con polvo y se reduzca la potencia del aspirador. Séquela completamente antes de utilizarla. Una bolsa insuficientemente seca puede ocasionar una mala succión y acortar la vida de servicio del motor.

### NOTA:

- El paquete de polvo es de tipo desechable.

Cuando el filtro de esponja esté obstruido con polvo, quítelo del aspirador y después límpielo o lávelo en agua.

### Desmontaje e instalación del filtro de esponja (Fig. 31, 32 y 33)

Para desmontar el filtro de esponja, quite la bolsa de polvo o el paquete de papel y después agárrelo con los dedos y extraígallo.

Presione hacia dentro todo el borde del filtro de esponja contra la pared rebajada dentro del área de montaje de la bolsa de polvo/paquete de papel.

### PRECAUCIÓN:

- Después de limpiar el filtro de esponja, asegúrese de instalarlo en el aspirador. Si lo ha lavado en agua, séquelo antes de instalarlo. Un filtro de esponja insuficientemente seco puede acortar la vida de servicio del motor.

### Al tirar a la basura el aspirador

Este aspirador tiene incorporada una batería Ni-Cd. Extraígalas siempre antes de tirar a la basura el aspirador.

### Desmontaje de la batería incorporada

#### PRECAUCIÓN:

- No desmonte nunca la batería incorporada del aspirador excepto cuando vaya a tirar a la basura el aspirador. La batería se dañará o podrá producirse un cortocircuito en la batería.
  - No toque los terminales con ningún material conductor.
  - Evite almacenar la unidad de batería en un recipiente con otros objetos metálicos tales como clavos, monedas, etc.
  - No exponga la unidad de batería al agua o la lluvia.
  - No desmonte o altere la unidad de batería.
1. Para quitar la cubierta posterior, empújela en la dirección indicada por la flecha. (Fig. 34)
  2. Extraiga la batería incorporada hasta la mitad. (Fig. 35)

3. Desconecte los tres cables conductores de la batería pulsando el conector de la parte 25 en la dirección indicada por la flecha mostrada en la figura y después tire de ellos. Después extraiga la unidad de batería completamente.
4. Ponga la unidad de batería extraída en una bolsa de plástico para que no se cortocircuite. (Fig. 36)

Para mantener la SEGURIDAD y FIABILIDAD del producto, las reparaciones, cualquier otro mantenimiento o ajuste deberán ser realizados en Centros Autorizados o Servicio de Fábrica de Makita, empleando siempre repuestos Makita.

## ACCESORIOS

### PRECAUCIÓN:

- Estos accesorios o acoplamientos están recomendados para utilizar con la herramienta Makita especificada en este manual. La utilización de cualquier otro accesorio o acoplamiento podrá suponer un riesgo de sufrir heridas personales. Utilice los accesorios o acoplamientos solamente para el propósito que han sido diseñados.

Si necesita cualquier tipo de asistencia para más detalles en relación con estos accesorios, pregunte al centro de servicio Makita local.

- Tubo de extensión (Tubo recto)
- Boquilla
- Boquilla para esquinas
- Bolsa de polvo
- Paquete de papel
- Tapón de polvo
- Cargador DC7021

## Explicação geral

1 Conector de carregamento	9 Encaixe	18 Aspirador
2 Ficha de carregamento	10 Colector de pó	19 Tubo extensor
3 Luz	11 Encaixe inferior	20 Bocal para cantos
4 Interruptor	12 Recipiente do aspirador	21 Filtro de esponja
5 Alavanca	13 Gancho da tampa frontal	22 Superfície interna
6 Protector de pó	14 Aba frontal	23 Tampa traseira
7 Lado superior do protector de pó	15 Gancho	24 Unidade da bateria
8 Lado inferior do protector de pó	16 Saco de papel	25 Conector
	17 Bocal	

## ESPECIFICAÇÕES

Modelo		4076D
Capacidade		500 ml (para o colector de pó)
		330 ml (para o saco de papel)
Utilização contínua	Alta	Aprox. 10 min.
	Baixa	Aprox. 20 min.
Comprimento total		446 mm (sem bocal) / 983 mm (com bocal)
Peso líquido	sem bocal	1,1 kg
	com bocal	1,4 kg
Tensão nominal		C.C. 7,2 V

- Devido ao nosso programa contínuo de pesquisa e desenvolvimento, estas especificações podem ser alteradas sem aviso prévio.
- Nota: As especificações podem variar de país para país.

### Utilização a que se destina

Este aspirador serve para colectar pó seco.

## IMPORTANTES INSTRUÇÕES DE SEGURANÇA

ENAA005-1

Quando utiliza aparelhos eléctricos, deve-se sempre observar as precauções básicas, inclusive as seguintes:

### LEIA TODAS AS INSTRUÇÕES ANTES DE UTILIZAR ESTE APARELHO.

**AVISO** - Para reduzir o risco de incêndio, choque eléctrico ou ferimentos:

1. Não exponha à chuva. Guarde dentro de casa.
2. Não permita que seja utilizado como brinquedo. Tenha cuidado especialmente quando o aparelho for utilizado por crianças ou próximo delas.
3. Utilize-o somente de acordo com as instruções deste manual. Utilize somente os acessórios recomendados pelo fabricante.
4. Não utilize com uma bateria danificada. Se o aparelho não funcionar correctamente, for derrubado, danificado, deixado ao ar livre ou cair na água, leve-o ao centro de assistência.
5. Não manuseie o aparelho com as mãos molhadas.

6. Não coloque nenhum objecto nas aberturas. Não o utilize com uma abertura bloqueada; mantenha-o limpo, sem poeira, pêlos, cabelos ou qualquer outra coisa que possa reduzir o fluxo de ar.
7. Mantenha os cabelos, roupas largas, dedos e outras partes do corpo afastadas das aberturas e das peças em movimento.
8. Desligue todos os controlos antes de retirar a bateria.
9. Tenha cuidado especialmente ao limpar escadas.
10. Não utilize para aspirar líquidos inflamáveis ou combustíveis, tal como gasolina, nem utilize em áreas onde esses produtos podem estar presentes.
11. Utilize somente o carregador fornecido pelo fabricante para recarregar.
12. Não utilize para aspirar algo que está a queimar ou a soltar fumo, tal como cigarros, fósforos ou cinzas quentes.
13. Não utilize sem os filtros devidamente instalados.
14. Não carregue a bateria ao ar livre.

## GUARDE ESTAS INSTRUÇÕES.

Este aparelho destina-se à utilização doméstica.

## REGRAS DE SEGURANÇA ADICIONAIS

ENB106-1

1. Antes de utilizar o aparelho, leia cuidadosamente este manual de instruções bem como o manual do carregador.
2. Não utilize para aspirar artigos húmidos, cigarros acesos, etc.
3. Desligue o aspirador imediatamente se notar qualquer funcionamento anormal.
4. Se deixar cair ou bater o aspirador, inspeccione cuidadosamente para ver se há rachaduras ou danos antes de utilizar.
5. Não carregue o aspirador perto de produtos inflamáveis perigosos, tais como gasolina, gás, tinta ou adesivos.
6. Não carregue o aspirador sobre papéis, tecidos, carpete, vinil, etc. Pode causar um incêndio.
7. Não carregue o aspirador em um local poeirento.
8. Certifique-se de que não há ninguém embaixo quando utiliza o aspirador em locais altos.
9. Não aproxime de fogões nem de outras fontes de calor.
10. Não bloqueie os orifícios de entrada e saída de ar.

## GUARDE ESTAS INSTRUÇÕES.

## IMPORTANTES INSTRUÇÕES DE SEGURANÇA PARA A BATERIA INCORPORADA

ENC008-1

1. Antes de utilizar a bateria incorporada, leia todas as instruções e símbolos de aviso no (1) carregador da bateria, (2) bateria e (3) produto que utiliza a bateria.
2. Não desmonte a bateria incorporada.
3. Se o tempo de funcionamento se tornar excessivamente curto, pare o funcionamento imediatamente. Pode resultar em sobreaquecimento, possíveis queimaduras e mesmo explosão.
4. Se entrar electrólito nos olhos, lave-os com água limpa e consulte imediatamente um médico. Pode resultar em perda de visão.
5. Não curto-circuite a bateria incorporada:
  - (1) Não toque nos terminais com qualquer material condutor.
  - (2) Evite guardar a bateria incorporada numa caixa juntamente com outros objectos metálicos tais como pregos, moedas, etc.
  - (3) Não exponha a bateria incorporada à água ou à chuva.  
Um curto-circuito na bateria pode ocasionar um enorme fluxo de corrente, sobreaquecimento, possíveis queimaduras e mesmo avarias.
6. Não guarde o aspirador e a bateria incorporada em locais onde a temperatura possa atingir ou exceder 50 °C (122°F).
7. Não queime a bateria incorporada mesmo que esteja estragada ou totalmente gasta. A bateria pode explodir no fogo.
8. Tenha cuidado para não deixar cair nem dar pancadas na bateria.

## GUARDE ESTAS INSTRUÇÕES.

## Conselhos para manter a máxima vida útil da bateria

1. Carregue a bateria incorporada antes que esteja completamente esgotada.  
Pare o funcionamento do aspirador e carregue a bateria incorporada quando notar diminuição de potência.
2. Nunca carregue uma bateria incorporada que já esteja carregada. Carregamento excessivo diminui a vida útil da bateria.
3. Carregue a bateria incorporada à temperatura ambiente de 10 °C a 40 °C (50 °F a 104 °F). Se a bateria incorporada estiver quente, aguarde até que arrefeça antes de a carregar.

## DESCRIÇÃO FUNCIONAL

### PRECAUÇÃO:

- Certifique-se sempre de que o aspirador esteja desligado antes de executar qualquer ajuste ou verificar o seu funcionamento.

### Carregar a bateria incorporada (Fig. 1 e 2)

Utilize apenas o carregador Makita DC7021 para carregar o aspirador. A utilização de outros tipos de carregadores pode causar a explosão da bateria, provocando ferimentos pessoais e outros danos. Carregue o aspirador quando for usá-lo pela primeira vez ou se ficou descarregado por um longo período de tempo. Ligue a ficha de carregamento ao conector de carregamento e depois ligue a ficha do carregador na tomada de energia eléctrica. A luz na frente do interruptor do aspirador se acende e o carregamento começa. O carregamento leva aproximadamente 3 a 5 horas. A luz se apaga depois que concluir o carregamento. Consulte o manual de instruções do carregador para maiores detalhes.

### PRECAUÇÃO:

- Não funcione o aspirador durante o carregamento. O mesmo pode ser danificado.
- Desligue sempre a ficha de carregamento do aspirador depois de carregar.
- Quando carregar um aspirador novo ou um aspirador que ficou descarregado por muito tempo, pode não ser possível carregar completamente. Isto é normal e não indica nenhum problema. É possível recarregar completamente o aspirador depois de o descarregar algumas vezes.
- O tempo máximo de carregamento pode ser 9 horas, dependendo da temperatura ambiente.

### Ação do interruptor (Fig. 3)

### PRECAUÇÃO:

- Certifique-se sempre de que o colectador de pó ou o saco de papel esteja instalado no aspirador correctamente antes de utilizar. A má instalação pode permitir que pó entre no motor, provocando o mau funcionamento do aspirador.
- Desligue sempre o aspirador depois de cada utilização para evitar danos ao aspirador e prolongar a vida útil da bateria.

Este aspirador pode funcionar com sucção "normal" e "forte". Para sucção normal, deslize o interruptor para a frente, na posição LOW (baixa). Para sucção forte, deslize-o até a posição HIGH (alta).

Para desligar o aspirador, deslize o interruptor de volta para a posição OFF.



## ASSEMBLAGEM

### Esvaziar

#### PRECAUÇÃO:

- Esvazie o aspirador antes que fique muito cheio, pois do contrário a força de sucção diminuirá.
- Certifique-se de limpar o pó de dentro do próprio aspirador. Se não limpar, o filtro de esponja pode ficar obstruído ou o motor pode ser danificado.
- Nunca deite fora o protector de pó, pois ele deve ser utilizado sempre que instalar o colector de pó ou o saco de papel.

Pressione a parte A da alavanca e segure-a. Abra enquanto a segura. (Fig. 4 e 5)

Retire ambos o protector de pó e o colector de pó juntos, ao mesmo tempo. (Fig. 6)

Retire o protector de pó e esvazie o aspirador. (Fig. 7 e 8)

### Colector de pó e saco de papel

Instale o colector de pó ou o saco de papel antes de utilizar o aspirador.

Utilize o protector de pó quando instalar o colector de pó ou o saco de papel.

O colector de pó pode ser utilizado repetidas vezes desde que seja limpo.

O saco de papel é descartável. Quando estiver cheio, deite fora o saco inteiro, sem esvaziar.

### Instalar o colector de pó

Utilize o protector de pó quando instalar o colector de pó. Tenha cuidado para não confundir o lado superior com o lado inferior, pois são diferentes. (Fig. 9)

1. Insira a saliência do colector de pó no encaixe do protector, como ilustrado. (Fig. 10)
2. Não há distinção entre os lados superior e inferior do colector de pó. Pode-se inserir a saliência de qualquer um dos lados no encaixe inferior do protector de pó. (Fig. 11)
3. Junte os dois sobrepondo a borda do protector de pó com a do colector de pó. (Fig. 12)
4. Coloque o protector e o colector de pó juntos no recipiente do aspirador, no mesmo sentido que o indicado pela seta no protector de pó. Insira ambos nos encaixes do recipiente do aspirador o máximo possível. (Fig. 13)
5. Coloque toda a parte de tecido do colector de pó dentro do aspirador. (Fig. 14)
6. Enganche a tampa frontal na aba frontal do aspirador. A seguir, feche a tampa. (Fig. 15)

### Instalar o saco de papel

1. Desdobre a boca do saco de papel antes de o instalar no protector de pó. (Fig. 16)  
Utilize o protector de pó quando instalar o saco de papel também. Tenha cuidado para não confundir o lado superior com o lado inferior, pois são diferentes. (Fig. 17)
2. Insira a saliência do saco de papel no encaixe do protector de pó, como ilustrado. (Fig. 18)

3. Não há distinção entre os lados superior e inferior do saco de papel. Pode-se inserir a saliência de qualquer um dos lados no encaixe inferior do protector de pó. (Fig. 19)
4. Junte os dois sobrepondo a borda do protector de pó com a do saco de papel. (Fig. 20)
5. Coloque o protector de pó e o saco de papel juntos no recipiente do aspirador, no mesmo sentido que o indicado pela seta no protector de pó. Insira ambos nos encaixes do recipiente do aspirador o máximo possível. (Fig. 21)
6. Coloque o saco de papel inteiro dentro do aspirador. (Fig. 22)

#### NOTA:

- O saco de papel é descartável. Quando estiver cheio, deite fora o saco inteiro, sem esvaziar.
7. Enganche a tampa frontal na aba frontal do aspirador. A seguir, feche a tampa. (Fig. 23)

#### PRECAUÇÃO:

- Se não instalar o colector de pó ou o saco de papel, não encaixar o máximo possível o protector de pó junto com o colector de pó ou saco de papel ou utilizar um saco rasgado ou danificado pode permitir que o pó entre no motor. Isso pode provocar falha do motor.
- Não dobre o papelão na abertura quando instalar o saco de papel.
- Nunca deite fora o protector de pó, pois ele deve ser utilizado sempre que instalar o colector de pó ou o saco de papel.

## FUNCIONAMENTO

### Limpeza (Sucção)

#### Bocal (Fig. 24)

Instale o bocal para limpar mesas, secretárias, móveis, etc. O bocal encaixa com facilidade.

#### Bocal + tubo extensor (tubo reto) (Fig. 25)

O tubo extensor é conectado entre o bocal e o aspirador. Este arranjo é conveniente para manter uma boa postura ao fazer a limpeza de solos.

#### Bocal para cantos (Fig. 26)

Encaixe o bocal para cantos para limpeza de cantos e frestas de carros ou móveis.

#### Bocal para cantos + tubo extensor (tubo reto) (Fig. 27)

Utilize este arranjo para limpar em locais estreitos onde o aspirador não entra ou em locais altos.

## MANUTENÇÃO

#### PRECAUÇÃO:

- Certifique-se sempre de que o aspirador esteja desligado antes de executar qualquer inspeção ou manutenção no mesmo.

#### Depois de utilizar (Fig. 28)

Para carregar ou armazenar o aspirador, pendure-o em um prego pelo gancho conveniente na parte traseira.

## Limpeza (Fig. 29 e 30)

Limpe periodicamente o exterior do aspirador (armação) com um pano humedecido em água e sabão. Limpe também a abertura de sucção, área de instalação do colector de pó/saco de papel e o protector de pó.

### PRECAUÇÃO:

- Nunca utilize gasolina, diluente ou produtos semelhantes. Pode ocorrer a descoloração ou rachaduras.

Lave o colector de pó em água e sabão quando estiver obstruído com pó e quando houver redução da potência. Seque-o completamente antes de utilizar. Um colector que não esteja bem seco pode prejudicar a sucção e diminuir a vida útil do motor.

### NOTA:

- O saco de papel é descartável.

Se o filtro de esponja estiver obstruído com pó, retire-o do aspirador e limpe ou lave-o com água.

## Remoção e instalação do filtro de esponja

### (Fig. 31, 32 e 33)

Para retirar o filtro de esponja, primeiro retire o colector de pó ou o saco de papel e, então, retire-o.

Prima a borda inteira do filtro de esponja contra o recesso na superfície interna da área de instalação do colector de pó/saco de papel.

### PRECAUÇÃO:

- Certifique-se de instalar o filtro de esponja no aspirador depois de o limpar. Se lavar com água, deixe-o secar antes de instalar. Um filtro de esponja que não esteja bem seco pode diminuir a vida útil do motor.

## Deitar fora o aspirador

Há uma bateria de Ni-Cd incorporada neste aspirador. Sempre retire-a antes de deitar fora o aspirador.

## Retirar a bateria incorporada

### PRECAUÇÃO:

- Nunca retire a bateria incorporada do aspirador excepto para deitar fora. A bateria pode ser danificada ou pode ocorrer um curto-circuito.
- Não toque nos terminais com qualquer material condutor.
- Evite guardar a unidade da bateria numa caixa juntamente com outros objectos metálicos tais como pregos, moedas, etc.
- Não exponha a unidade da bateria à água ou à chuva.
- Não desmonte nem altere a unidade da bateria.

1. Para retirar a tampa traseira, empurre-a no sentido da seta. **(Fig. 34)**
2. Retire a bateria incorporada até a metade. **(Fig. 35)**
3. Pressione o conector na parte 25 no sentido da seta, como ilustrado, e puxe os três cabos da bateria para desligar. Em seguida, retire toda a unidade da bateria.
4. Coloque a unidade da bateria em um saco plástico para evitar que ocorra um curto-circuito. **(Fig. 36)**

Para manter a SEGURANÇA e a CONFIABILIDADE do produto, os reparos e outros procedimentos de manutenção ou ajustes deverão ser realizados por centros de assistência técnica autorizada ou de fábrica Makita, sempre utilizando peças de reposição originais Makita.

## ACESSÓRIOS

### PRECAUÇÃO:

- Estes acessórios ou conectores são recomendados para a utilização com o seu aspirador Makita especificado neste manual. A utilização de qualquer outro acessório ou conector pode apresentar riscos de ferimentos pessoais. Utilize o acessório ou conector apenas para o fim a que se destina.

Se desejar informações detalhadas acerca desses acessórios, solicite ao centro de assistência técnica Makita local.

- Tubo extensor (tubo reto)
- Bocal
- Bocal para cantos
- Colector de pó
- Saco de papel
- Protector de pó
- Carregador DC7021

Illustrationsoversigt

1 Opladekontakt	9 Rille	18 Støvsuger
2 Opladestik	10 Støvpose	19 Forlængerstav
3 Lampe	11 Nederste rille	20 Hjørnemundstykke
4 Afbryder	12 Støvsugers tomrum	21 Svampefilter
5 Knap	13 Krog på frontdæksel	22 Væg
6 Støvstopper	14 Frontkant	23 Bagdæksel
7 Støvstoppers overside	15 Krog	24 Akku
8 Støvstoppers underside	16 Papirpakke	25 Kontakt
	17 Mundstykke	

## SPECIFIKATIONER

Model		4076D
Kapacitet		500 ml (for støvpose)
		330 ml (for papirpakke)
Kontinuerlig anvendelse	Høj	Ca. 10 min.
	Lav	Ca. 20 min.
Længde i alt		446 mm (uden mundstykke) / 983mm (med mundstykke)
Nettovægt	uden mundstykke	1,1 kg
	med mundstykke	1,4 kg
Mærkespænding		D.C. 7,2 V

- På grund af vores kontinuerlige forskningsprogrammer og udvikling, kan hosstående specifikationer blive ændret uden varsel.
- Bemærk: Specifikationerne kan variere fra land til land.

**Korrekt anvendelse**

Denne støvsuger er beregnet til opugning af tørt støv.

**VIGTIGE SIKKERHEDSFORSKRIFTER**

Når et elektrisk apparat anvendes, bør de elementære sikkerhedsregler altid følges, inklusive følgende:

**LÆS ALLE INSTRUKTIONER INDEN DETTE APPARAT TAGES IBRUG.**

**ADVARSEL** - Risikoen for brand, elektrisk stød og tilskadekomst kan reduceres ved at man iagttager følgende:

1. Udsæt ikke støvsugeren for regn. Opbevar støvsugeren inden døre.
2. Støvsugeren må ikke anvendes som legetøj. Nøje overvågning er nødvendig, hvis støvsugeren anvendes af eller i nærheden af børn.
3. Anvend kun støvsugeren som beskrevet i denne brugsvejledning. Anvend kun tilbehørsdele, som anbefales af fabrikanten.
4. Anvend ikke støvsugeren med et beskadiget batteri. Hvis støvsugeren ikke virker som den skal, er blevet tabt, efterladt uden døre eller har været under vand, skal den indleveres til et service-center til eftersyn.
5. Rør ikke ved støvsugeren med våde hænder.

6. Stik ikke nogen genstande ind i åbningerne. Anvend ikke støvsugeren med blokerede åbninger. Hold den fri for støv, fnug, hår og alt hvad der kan hindre luftstrømmen.
7. Hold hår, løse beklædningsgenstande og alle kroksdele på god afstand af åbningerne og de bevægende dele.
8. Deaktiver alle kontroller, inden batteriet tages ud.
9. Udvis ekstra forsigtighed ved rengøring på trapper.
10. Anvend ikke støvsugeren til at opsuge antændelige eller brændbare væsker, som for eksempel benzin, og anvend ikke støvsugeren på steder, hvor disse væsker kan forefindes.
11. Anvend kun den oplader, som leveres af fabrikanten til genopladning.
12. Opsug ikke noget, som brænder eller ryger, som for eksempel cigaretter, tændstikker eller varm aske.
13. Anvend ikke støvsugeren uden at filtrene er sat på plads.
14. Oplad ikke batteriet uden døre.

**GEM DISSE INSTRUKTIONER**

Denne støvsuger er beregnet til husholdningsbrug.

## SUPPLERENDE SIKKERHEDSREGLER

ENB106-1

1. Læs denne brugsvejledning og instruktionerne for opladning grundigt inden brugen.
2. Opsug ikke vådt materiale, tændte cigaretter eller lignende.
3. Hold øjeblikkeligt op med at anvende støvsugeren, hvis noget unormalt registreres.
4. Hvis De kommer til at tabe eller støde til støvsugeren, skal De omhyggeligt efterse den for revner eller anden beskadigelse inden brugen.
5. Oplad ikke støvsugeren i nærheden af farlige brændbare materialer som for eksempel benzin, gas, maling eller lim.
6. Oplad ikke støvsugeren på papir, stof, tæpper, vinyl og lignende. Dette kan føre til brand.
7. Oplad ikke støvsugeren på et sted, hvor der er støv.
8. Sørg for, at der ikke står nogen personer nedenunder, når De anvender støvsugeren på et højt sted.
9. Hold støvsugeren på god afstand af ovne og andre varmekilder.
10. Undlad at blokere indsugningsåbningen og ventilationshullerne.

## GEM DISSE INSTRUKTIONER.

### VIGTIGE SIKKERHEDSFORSKRIFTER FOR DET INDBYGGEDE BATTERI

ENC008-1

1. Læs alle instruktionerne og forsigtighedsmærkerne på (1) batteriopladeren, (2) batteriet og (3) produktet, som anvender batteri.
2. Lad være med at adskille det indbyggede batteri.
3. Hvis brugstiden er blevet betydeligt kortere, skal De straks holde op med at bruge støvsugeren. Hvis De fortsætter med at bruge den, kan der være risiko for overophedning, fare for forbrændinger og endog eksplosion.
4. Hvis De får elektrolyt i øjnene, skal De skylle øjnene med rent vand og øjeblikkeligt søge lægehjælp. Elektrolyt i øjnene kan føre til at De mister synet.
5. Vær påpasselig med ikke at komme til at kortslutte det indbyggede batteri.
  - (1) Rør ikke ved batteripolerne med våde hænder.
  - (2) Undlad at opbevare det indbyggede batteri i en beholder med andre metalgenstande, som for eksempel søm, mønter og lignende.
  - (3) Udsæt ikke det indbyggede batteri for vand eller regn.  
Kortslutning af batteriet kan medføre en stor strømforsyning, overophedning, risiko for forbrændinger og endog sammenbrud.
6. Opbevar ikke støvsugeren og det indbyggede batteri på steder, hvor temperaturen kan komme op på 50 °C eller mere.
7. Undlad at brænde det indbyggede batteri, selv hvis det har lidt alvorlig skade eller er helt utjent. Det indbyggede batteri kan eksplodere i ild.

8. Vær påpasselig med ikke at komme til at tabe eller støde til batteriet.

## GEM DISSE INSTRUKTIONER.

### Tips til opnåelse af maksimal batterilevetid

1. Oplad det indbyggede batteriet helt, inden det er helt afladet.  
Hold altid op med at anvende støvsugeren og oplad det indbyggede batteri, hvis du bemærker, at støvsugeren har formindsket kraft.
2. Oplad aldrig er fuldt opladet indbygget batteri. Overopladning vil afkorte batteriets levetid.
3. Oplad det indbyggede batteri ved stuetemperatur, dvs. 10 °C – 40 °C. Giv et varmt indbygget batteri tid til at køle af, inden det oplades.

## BESKRIVELSE AF FUNKTIONERNE

### ADVARSEL:

- Vær altid sikker på, at der er slukket for støvsugeren, inden De justerer eller kontrollerer funktionen af støvsugeren.

### Opladning af det indbyggede batteri (Fig. 1 og 2)

Anvend kun Makita-opladeren DC7021 til at oplade denne støvsuger. Anvendelse af andre typer opladere kan bevirke, at batteriet eksploderer, hvilket kan føre til personskade og anden skade. Oplad støvsugeren, når den skal anvendes for første gang eller hvis den ikke er blevet opladet i længere tid. Sæt opladestikket i opladekontakten og sæt derefter opladeren i en stikkontakt i væggen. Lyset foran støvsugerkontakten vil blive tændt, hvorefter opladningen begynder. Opladningen tager omkring 3 - 5 timer. Lyset slukker, når opladningen er færdig. Se brugsvejledningen for opladeren angående yderligere detaljer angående detaljer.

### ADVARSEL:

- Anvend ikke støvsugeren under opladningen. Den kan i så fald lide skade.
- Tag altid opladestikket ud af støvsugeren efter opladningen.
- Når en ny støvsuger eller en støvsuger, som ikke har været opladet i længere tid, oplades, er det ikke sikkert at en fuld opladning er mulig. Dette er en normal tilstand og ikke tegn på problemer. Støvsugeren kan oplades helt, når den har været afladet et par gange.
- Den maksimale opladetid kan være 9 timer, afhængigt af stuetemperaturen.

### Afbryderanvendelse (Fig. 3)

### ADVARSEL:

- Sørg altid for, at støvposen eller papirpakken er sat korrekt i støvsugeren inden brugen. Forkert installation kan bevirke, at støv får lov til at trænge ind i motoren med fejlfunktion af støvsugeren som resultat.
- Sluk altid for støvsugeren, hver gang den har været brugt, for at forhindre at den lider skade og for at forlænge batteriernes levetid.

Denne støvsuger kan anvendes med "standard" og "kraftig" sugning. Hvis standard sugning ønskes, skal afbryderen skydes fremad til stilling LOW. Hvis kraftig sugning ønskes, skal afbryderen skydes videre til stilling HIGH.

For at stoppe støvsugeren, skal man skyde afbryderen tilbage til stilling OFF.

## SAMLING

### Bortskaffelse af støv

#### ADVARSEL:

- Tøm støvsugeren, inden den bliver for fuld ellers formindskes sugekraften.
- Husk altid at fjerne støvet inden i selve støvsugeren. Hvis dette ikke gøres, kan svampefilteret blive tilstoppet eller motoren lide skade.
- Smid aldrig støvstopperen væk, da den skal anvendes, hver gang enten støvposen eller støvpakken anvendes.

Tryk på A-delen af knappen og tag fat i den. Åbn den, mens De holder den. (Fig. 4 og 5)

Træk støvstopperen og støvposen ud samtidigt. (Fig. 6)  
Fjern støvstopperen og tøm støvsugeren. (Fig. 7 og 8)

### Støvpose og papirpakke

Installer enten støvpose eller papirpakke, inden støvsugeren tages i brug.

Anvend støvstopperen, når enten støvposen eller papirpakken installeres.

Støvposen kan anvendes mange gange i rækkefølge ved at man rengør den.

Papirpakken er af smid-væk typen. Smid hele papirpakken væk uden at tømme den, når den er blevet fuld.

### Installation af støvposen

Anvend støvstopperen, når støvposen installeres. Vær påpasselig med ikke at komme til at bytte om på overside og underside, da de ikke er ens. (Fig. 9)

1. Sæt fremspringet på støvposen ind i rillen på støvstopperen som vist på illustrationen. (Fig. 10)
2. Der er ingen forskel på den øverste og nederste side på støvposen. Fremspringet på begge sider kan sættes ind i den nederste rille på støvstopperen. (Fig. 11)
3. Overlap rammen på støvstopperen med støvposens ramme. (Fig. 12)
4. Sæt støvstopperen og støvposen sammen ind i støvsugerens tomrum i den retning, som er angivet med pilen på støvstopperen. Sæt dem hele vejen ind i åbningerne i støvsugerens tomrum. (Fig. 13)
5. Anbring hele stofdelen af støvposen inden i selve støvsugeren. (Fig. 14)
6. Sæt frontdækslet på frontkanten på støvsugeren. Luk derefter frontdækslet. (Fig. 15)

### Isætning af papirpakken

1. Åbn indgangen på papirpakken, inden De sætter den på støvstopperen. (Fig. 16)  
Anvend også støvstopperen, når papirpakken installeres. Vær påpasselig med ikke komme til at bytte om på oversiden og undersiden, da de ikke er ens. (Fig. 17)
2. Sæt fremspringet på papirpakken ind i rillen på støvstopperen som vist på illustrationen. (Fig. 18)
3. Der er ingen forskel på den øverste og nederste side på papirpakken. Fremspringet på begge sider kan sættes ind i den nederste rille på støvstopperen. (Fig. 19)
4. Overlap rammen på støvstopperen med papirpakkens ramme. (Fig. 20)

5. Sæt støvstopperen og papirpakken sammen ind i støvsugerens tomrum i den retning, som er angivet med pilen på støvstopperen. Sæt dem hele vejen ind i åbningerne i støvsugerens tomrum. (Fig. 21)
6. Anbring hele beholderdelen af papirpakken inden i selve støvsugeren. (Fig. 22)

#### BEMÆRK:

- Papirpakken er af smid-væk typen. Smid hele papirpakken væk uden at tømme den, når den er blevet fuld.
- 7. Sæt frontdækslet på frontkanten på støvsugeren. Luk derefter frontdækslet. (Fig. 23)

#### ADVARSEL:

- Hvis man glemmer at installere støvposen eller papirpakken, forsømmer at sætte støvstopperen sammen med støvposen eller støvpakken hele vejen ind i åbningerne eller anvender en ødelagt eller revnet pose, er der risiko for, at der trænger støv ind i motoren. Dette kan resultere i motorstop.
- Fold ikke papret ved dets åbning, når papirpakken installeres.
- Smid aldrig støvstopperen væk, da den skal anvendes flere gange, når enten støvposen eller papirpakken anvendes.

## ANVENDELSE

### Rengøring (sugning)

#### Mundstykke (Fig. 24)

Sæt mundstykket på, når De vil rengøre borde, skriveborde, møbler og lignende. Mundstykket sættes nemt på.

#### Mundstykke + forlængerstav (lige rør) (Fig. 25)

Forlængerstaven kan sættes ind mellem mundstykket og selve støvsugeren. Dette arrangement er bekvemt ved rengøring af et gulv, så man ikke behøver bøje sig under støvsugningen.

#### Hjørnemundestykke (Fig. 26)

Monter hjørnemundstykket til rengøring af hjørner og sprækker i en bil eller møbler.

#### Hjørnemundestykke + forlængerstav (lige rør) (Fig. 27)

Anvend dette arrangement på trange steder, hvor selve støvsugeren ikke kan komme ind, eller i højden, hvor det er svært at nå op.

## VEDLIGEHODELSE

#### ADVARSEL:

- Sørg altid for, at der er slukket for støvsugeren, inden inspektion eller vedligeholdelse påbegyndes.

### Efter brugen (Fig. 28)

Når støvsugeren oplades eller lægges til opbevaring, skal den hænges på et som med brug af den praktiske bøjle på bagsiden ved at hæve den.

### Rengøring (Fig. 29 og 30)

Aftør fra tid til anden ydersiden (støvsugerens ydre) af støvsugeren med en klud, som er fugtet med sæbevand. Rengør også sugeåbningen, støvposens/papirpakkens monteringsdel og støvstopperen.

#### ADVARSEL:

- Anvend aldrig benzin, fortynder eller lignende. Dette kan resultere i misfarvning eller revner.

Vask støvposen med sæbevand, hvis den er tilstoppet af støv og støvsugerens kraft er formindsket. Tør den grundigt inden ibrugtagning. En utilstrækkeligt tørret pose kan give dårlig sugning og afkorte motorens levetid.

#### BEMÆRK:

- Papirpakken er af smid-væk typen.

Hvis svampefilteret er tilstoppet af støv, skal det tages af støvsugeren og tørres af eller skylles med vand.

#### Aftagning og isætning af svampefilteret (Fig. 31, 32 og 33)

Svampefilteret tages af ved at man fjerner støvposen eller papirpakken og derefter trykker det sammen og tager det ud.

Tryk hele kanten på svampefilteret ind mod den tilbagetrukne væg inden i støvposens/papirpakkens monteringsdel

#### ADVARSEL:

- Sørg for, når svampefilteret er rengjort, at installere det på støvsugeren. Hvis det er blevet skyllet med vand, skal det tørres, inden det installeres. Et utilstrækkeligt tørret svampefilter kan afkorte motorens levetid.

#### Bortskaffelse af støvsugeren

Denne støvsuger har et indbygget Ni-Cd batteri. Husk altid at tage det ud, inden De bortskaffer støvsugeren.

#### Fjernelse af det indbyggede batteri

##### ADVARSEL:

- Tag aldrig det indbyggede batteri ud af støvsugeren, undtagen når støvsugeren skal bortskaffes. Batteriet vil blive beskadiget eller resultatet kan blive et kortsluttet batteri.
- Rør ikke ved polerne med noget ledende materiale.
- Undgå at opbevare batteriet i en beholder sammen med andre metalgenstande som for eksempel søm, mønter og lignende.
- Udsæt ikke batteriet for vand eller regn.
- Lad være med at adskille eller ændre batteriet.

1. Bagdækslet tages af ved at man trykker det i pilens retning. (Fig. 34)
2. Træk det indbyggede batteri halvt ud. (Fig. 35)
3. Tag de tre ledningstråde af batteriet ved at trykke kontakten på del 25 i pilens retning som vist på illustrationen og trække i dem. Tag derefter batteriet helt ud.
4. Læg det udtagne batteri i en plasticpose, så det ikke kortsluttes. (Fig. 36)

For at opretholde produktets SIKKERHED og PÅLIDELIGHED, bør reparationer og al anden vedligeholdelse og justering udføres af et autoriseret Makita-servicecenter eller fabriksservicecenter, og der bør altid bruges Makita-reservedele.

## EKSTRAUDSTYR

#### ADVARSEL:

- Dette ekstraudstyr eller tilbehør anbefales til brug med Deres Makita-maskine, som specificeret i denne manual. Anvendelse af andet ekstraudstyr eller andre tilbehørsdele kan udgøre en risiko for personskade. Anvend kun ekstraudstyr eller tilbehørsdele til det beregnede formål.

Henvend Dem gerne til det lokale Makita-servicecenter, hvis De har behov for hjælp med hensyn til flere detaljer om disse tilbehørsdele.

- Forlængerstav (lige rør)
- Mundstykke
- Hjørnemundstykke
- Støvpose
- Papirpakke
- Støvstopper
- Oplader DC7021

## Περιγραφή γενικής άποψης

1 Κονέκτορας φόρτισης	9 Εγκοπή	17 Ακροφύσιο
2 Βύσμα φόρτισης	10 Σάκος σκόνης	18 Ηλεκτρικό σκουπάκι
3 Λυχνία	11 Κάτω εγκοπή	19 Ράβδος προέκτασης
4 Διακόπτης	12 Κοιλότητα ηλεκτρικής σκούπας	20 Ακροφύσιο γωνιών
5 Μοχλός	13 Άγκιστρο μπροστινού καλύμματος	21 Φίλτρο σπόγγου
6 Αναστολέας σκόνης	14 Μπροστινό χείλος	22 Τοίχωμα
7 Πάνω πλευρά αναστολέα σκόνης	15 Άγκιστρο	23 Πίσω κάλυμμα
8 Κάτω πλευρά αναστολέα σκόνης	16 Χάρτινη σακούλα	24 Μονάδα μπαταρίας
		25 Κονέκτορας

## ΤΕΧΝΙΚΑ ΧΑΡΑΚΤΗΡΙΣΤΙΚΑ

Μοντέλο		4076D
Χωρητικότητα		500 ml (για σάκο σκόνης)
		330 ml (για χάρτινη σακούλα)
Συνεχής χρήση	Υψηλό	Περίπου 10 λεπτά
	Χαμηλό	Περίπου 20 λεπτά
Συνολικό μήκος		446 mm (χωρίς ακροφύσιο) / 983 mm (με ακροφύσιο)
Καθαρό βάρος	χωρίς ακροφύσιο	1,1 kg
	με ακροφύσιο	1,4 kg
Ονομαστική τάση		DC 7,2 V

- Λόγω της συνέχισης του προγράμματός μας έρευνας και ανάπτυξης, οι εν λόγω προδιαγραφές υπόκεινται σε αλλαγές χωρίς προειδοποίηση.
- Σημείωση: Οι προδιαγραφές ενδέχεται να διαφέρουν από χώρα σε χώρα.

## Προοριζόμενη χρήση

Το εργαλείο προορίζεται για τη συλλογή ξηρής σκόνης.

## ΣΗΜΑΝΤΙΚΕΣ ΟΔΗΓΙΕΣ ΑΣΦΑΛΕΙΑΣ

ENΑ005-1

Κατά τη χρήση μιας ηλεκτρικής συσκευής, θα πρέπει να τηρούνται πάντα οι βασικές προφυλάξεις, συμπεριλαμβανομένων των ακόλουθων:

## ΔΙΑΒΑΣΤΕ ΟΛΕΣ ΤΙΣ ΟΔΗΓΙΕΣ ΠΡΙΝ ΑΠΟ ΤΗ ΧΡΗΣΗ ΑΥΤΗΣ ΤΗΣ ΣΥΣΚΕΥΗΣ.

**ΠΡΟΕΙΔΟΠΟΙΗΣΗ** – Προς μείωση του κινδύνου πυρκαγιάς, ηλεκτροπληξίας ή τραυματισμού:

1. Να μην εκτίθεται σε βροχή. Να φυλάσσεται σε εσωτερικό χώρο.
2. Δεν επιτρέπεται η χρήση της ως παιχνίδι. Απαιτείται ιδιαίτερη προσοχή κατά τη χρήση από ή κοντά σε παιδιά.
3. Να χρησιμοποιείται μόνο σύμφωνα με τις οδηγίες του παρόντος εγχειριδίου. Να χρησιμοποιούνται μόνο τα παρεκκόμενα που συνιστά ο κατασκευαστής.

4. Να μη χρησιμοποιείται με μπαταρία που έχει υποστεί βλάβη. Εάν η συσκευή δεν λειτουργεί όπως θα έπρεπε, έχει υποστεί πτώση ή βλάβη, έχει αφεθεί σε εξωτερικό χώρο ή έχει πέσει μέσα σε νερό, να επιστραφεί σε κέντρο σέρβις.
5. Μη χειρίζεστε τη συσκευή με βρεγμένα χέρια.
6. Μην τοποθετείτε κανένα αντικείμενο μέσα στις οπές. Μη την χρησιμοποιείτε εάν παρουσιαστεί έμφραξη κάποιου ανοίγματος, να την διατηρείτε χωρίς ίχνη σκόνης, χνουδία, τρίχες και οτιδήποτε ενδέχεται να προκαλέσει μείωση της ροής του αέρα.
7. Φροντίστε ώστε να μην πλησιάζετε τις οπές και τα κινούμενα εξαρτήματα της συσκευής σε μαλλιά, χαλαρά είδη ρουχισμού, δάχτυλα και όλα τα μέρη του σώματος.
8. Να απενεργοποιείτε όλα τα στοιχεία ελέγχου πριν από την αφαίρεση της μπαταρίας.
9. Να προσέχετε ιδιαίτερα, όταν καθαρίζετε σκαλοπάτια.
10. Να μη χρησιμοποιείται για τη συλλογή εύφλεκτων ή καύσιμων υγρών, όπως βενζίνη, ή να χρησιμοποιείται σε χώρους παρουσία αυτών.
11. Για επαναφόρτιση, να χρησιμοποιείται μόνο ο φορτιστής που παρέχεται από τον κατασκευαστή.
12. Να μη χρησιμοποιείται για τη συλλογή οποιουδήποτε αντικειμένου καίγεται ή αναδίδει καπνό, όπως τσιγάρα, σπίρτα ή θερμές στάχτες.
13. Να μη χρησιμοποιείται χωρίς τη χρήση φίλτρων.

14. Μην φορτίζετε τη μπαταρία σε εξωτερικό χώρο.

## ΦΥΛΑΞΤΕ ΑΥΤΕΣ ΤΙΣ ΟΔΗΓΙΕΣ.

Η συσκευή αυτή προορίζεται για οικιακή χρήση.

## ΕΠΙΠΛΕΟΝ ΚΑΝΟΝΕΣ ΑΣΦΑΛΕΙΑΣ

ENB106-1

1. Διαβάστε προσεκτικά το παρόν χειριρίδιο χρήσης όπως και το χειριρίδιο χρήσης του φορτιστή πριν από τη χρήση.
2. Να μη χρησιμοποιείται για τη συλλογή υγρών υλικών, αναμμένων τσιγάρων ή παρόμοιων αντικειμένων.
3. Διακόψτε τη λειτουργία αμέσως, μόλις παρατηρήσετε οτιδήποτε μη φυσιολογικό.
4. Σε περίπτωση που το ηλεκτρικό σκουπάκι υποστεί πτώση ή κτύπημα, ελέγξτε το προσεκτικά για ρωγμές ή βλάβη πριν από τη λειτουργία.
5. Μην φορτίζετε το ηλεκτρικό σκουπάκι κοντά σε επικίνδυνα εύφλεκτα υλικά, όπως βενζίνη, αέριο, χρώματα ή κολλητικές ουσίες.
6. Μην φορτίζετε το ηλεκτρικό σκουπάκι πάνω σε χαρτιά, ύφασμα, μοκέτα, βινύλιο, κ.λ.π. Ενδέχεται να προκληθεί πυρκαγιά.
7. Μην φορτίζετε το ηλεκτρικό σκουπάκι μέσα σε σκονισμένο χώρο.
8. Βεβαιωθείτε ότι δεν υπάρχει άτομο ακριβώς από κάτω, όταν χρησιμοποιείτε το ηλεκτρικό σκουπάκι σε υψηλά σημεία.
9. Μην πλησιάζετε σε θερμάστρες ή άλλες πηγές θερμότητας.
10. Μην φράσσετε την οπή εισαγωγής ή τις οπές αερισμού.

## ΦΥΛΑΞΤΕ ΑΥΤΕΣ ΤΙΣ ΟΔΗΓΙΕΣ.

## ΣΗΜΑΝΤΙΚΕΣ ΟΔΗΓΙΕΣ ΑΣΦΑΛΕΙΑΣ ΓΙΑ ΤΗΝ ΕΝΣΩΜΑΤΩΜΕΝΗ ΜΠΑΤΑΡΙΑ

ENC008-1

1. Πριν από τη χρήση της ενσωματωμένης μπαταρίας, διαβάστε όλες τις οδηγίες και σημάνσεις προφύλαξης πάνω (1) στο φορτιστή μπαταρίας, (2) στη μπαταρία και (3) στο προϊόν όπου χρησιμοποιείται μπαταρία.
2. Μην αποσυναρμολογείτε την ενσωματωμένη μπαταρία.
3. Εάν ο χρόνος λειτουργίας είναι εξαιρετικά σύντομος, διακόψτε τη λειτουργία αμέσως. Ενδέχεται να προκύψει κίνδυνος υπερθέρμανσης, ενδεχόμενα εγκαύματα, ακόμη και έκρηξη.
4. Εάν εισέλθει ηλεκτρολύτης στα μάτια σας, πλύντε τα με καθαρό νερό και αναζητήστε ιατρική φροντίδα αμέσως. Ενδέχεται να προκύψει απώλεια όρασης.
5. Μην βραχυκυκλώνετε την ενσωματωμένη μπαταρία:
  - (1) Μην αγγίζετε τους ακροδέκτες με κανένα αγώγιμο υλικό.
  - (2) Να αποφεύγετε τη φύλαξη της ενσωματωμένης μπαταρίας σε δοχείο μαζί με άλλα μεταλλικά αντικείμενα, όπως καρφιά, νομίσματα, κ.λ.π.

(3) Μην εκθέτετε την ενσωματωμένη μπαταρία σε νερό ή βροχή.

Τυχόν βραχυκύκλωμα της μπαταρίας μπορεί να προκαλέσει μεγάλη ροή ρεύματος, υπερθέρμανση, ενδεχόμενα ανάφλεξη ακόμη και διακοπή λειτουργίας.

6. Μην φυλάσσετε το εργαλείο και την ενσωματωμένη μπαταρία σε μέρη όπου η θερμοκρασία ενδέχεται να φθάσει ή και να υπερβεί τους 50 °C (122 °F).
7. Μην αποτεφρώνετε την ενσωματωμένη μπαταρία ακόμη και αν έχει υποστεί σοβαρή βλάβη ή έχει φθαρεί τελείως. Η ενσωματωμένη μπαταρία μπορεί να εκραγεί αν απορριφθεί σε φωτιά.
8. Προσέξτε ώστε η μπαταρία να μην υποστεί πτώση ή κτύπημα.

## ΦΥΛΑΞΤΕ ΑΥΤΕΣ ΤΙΣ ΟΔΗΓΙΕΣ.

Υποδείξεις για μεγιστοποίηση της διάρκειας ζωής της μπαταρίας

1. Φορτίστε την ενσωματωμένη μπαταρία πριν εκφορτιστεί τελείως. Να διακόπτετε πάντα τη λειτουργία του εργαλείου και να φορτίζετε την ενσωματωμένη μπαταρία, όταν παρατηρήσετε μείωση στην ισχύ του εργαλείου.
2. Μην επαναφορτίζετε ποτέ μια πλήρως φορτισμένη ενσωματωμένη μπαταρία. Η υπερφόρτιση μειώνει τη διάρκεια ζωής της μπαταρίας.
3. Να φορτίζετε την ενσωματωμένη μπαταρία σε θερμοκρασία δωματίου, δηλαδή 10 °C – 40 °C (50 °F – 104 °F). Αφήστε μια θερμή ενσωματωμένη μπαταρία να ψυχθεί, πριν τη φορτίσετε.

## ΠΕΡΙΓΡΑΦΗ ΛΕΙΤΟΥΡΓΙΑΣ

ΠΡΟΣΟΧΗ:

- Να φροντίζετε πάντα για την απενεργοποίηση του εργαλείου πριν από οποιαδήποτε ρύθμιση ή έλεγχο της λειτουργίας του εργαλείου.

## Φόρτιση της ενσωματωμένης μπαταρίας (Εικ. 1 και 2)

Να χρησιμοποιείτε πάντα το φορτιστή Makita DC7021 για να φορτίσετε αυτό το ηλεκτρικό σκουπάκι. Η χρήση φορτιστών άλλου τύπου ενδέχεται να προκαλέσει έκρηξη της μπαταρίας και να καταλήξει σε προσωπικό τραυματισμό και βλάβη. Να φορτίζετε το ηλεκτρικό σκουπάκι, όταν πρόκειται να χρησιμοποιηθεί για πρώτη φορά ή όταν έχει παραμείνει αφόρτιστο για μεγάλο χρονικό διάστημα. Συνδέστε το βύσμα φόρτισης στο συνδεδημένο φορτιστή, ακολούθως συνδέστε το φορτιστή στην παροχή ρεύματος. Η λυχνία στην πρόσοψη της ηλεκτρικής σκούπας θα ανάψει και θα αρχίσει η φόρτιση. Η φόρτιση διαρκεί περίπου 3 - 5 ώρες. Η λυχνία σβήνει μόλις ολοκληρωθεί η φόρτιση. Ανατρέξτε στο χειριρίδιο χρήσης του φορτιστή για περαιτέρω λεπτομέρειες.

ΠΡΟΣΟΧΗ:

- Μην θέτετε σε λειτουργία το ηλεκτρικό σκουπάκι στη διάρκεια της φόρτισης. Ενδέχεται να υποστεί βλάβη.



- Να αποσυνδέετε πάντα το βύσμα φόρτισης από το ηλεκτρικό σκουπάκι μετά το πέρας της φόρτισης.
- Όταν φορτίζετε ένα καινούριο ηλεκτρικό σκουπάκι ή ένα σκουπάκι που έχει παραμείνει αφόρτιστο για μεγάλο χρονικό διάστημα, υπάρχει πιθανότητα να μην επιδέχεται πλήρη φόρτιση. Αυτό είναι φυσιολογικό και δεν αποτελεί ένδειξη προβλήματος. Μπορείτε να επαναφορτίσετε το ηλεκτρικό σκουπάκι πλήρως, αφού εκφορτιστεί πλήρως μερικές φορές.
- Ο μέγιστος χρόνος φόρτισης ενδέχεται να είναι 9 ώρες αναλόγως της θερμοκρασίας δωματίου.

## Ενεργοποίηση (Εικ. 3)

### ΠΡΟΣΟΧΗ:

- Να φροντίζετε πάντα ώστε ο σάκος σκόνης ή η χάρτινη σακούλα να έχουν τοποθετηθεί κατάλληλα στο ηλεκτρικό σκουπάκι πριν από τη χρήση. Η ακατάλληλη τοποθέτηση ενδέχεται να επιτρέψει τη διείσδυση σκόνης στον κινητήρα, με αποτέλεσμα τη δυσλειτουργία της ηλεκτρικής σκούπας.
- Να απενεργοποιείτε πάντα το ηλεκτρικό σκουπάκι μετά από κάθε χρήση ώστε να αποτραπεί τυχόν βλάβη στο ηλεκτρικό σκουπάκι και να παραταθεί η διάρκεια ζωής των μπαταριών.

Αυτό το ηλεκτρικό σκουπάκι μπορεί να χρησιμοποιηθεί για “τυπική” και “ισχυρή” λειτουργία αναρρόφησης. Για τυπική αναρρόφηση, σύρετε το διακόπτη προς τα εμπρός στη θέση LOW (χαμηλό). Για ισχυρή αναρρόφηση, σύρετε το διακόπτη πιο μπροστά στη θέση HIGH (υψηλό).

Για να διακόψετε τη λειτουργία της ηλεκτρικής σκούπας, σύρετε το διακόπτη πίσω στη θέση OFF (ανενεργό).

## ΣΥΝΑΡΜΟΛΟΓΗΣΗ

### Απόρριψη σκόνης

#### ΠΡΟΣΟΧΗ:

- Να αδειάζετε το ηλεκτρικό σκουπάκι πριν γεμίσει πλήρως, ή εξασθενήσει η δύναμη αναρρόφησης.
- Να φροντίζετε για το άδειασμα της σκόνης από το εσωτερικό της ίδιας της ηλεκτρικής σκούπας. Σε περίπτωση μη συμμόρφωσης ενδέχεται να προκληθεί έμφραξη του φίλτρου απόγυου ή βλάβη του κινητήρα.
- Μην πετάτε ποτέ τον αναστολέα σκόνης διότι θα πρέπει να χρησιμοποιείται κάθε φορά που χρησιμοποιείται ο σάκος σκόνης ή η χάρτινη σακούλα.

Ωθήστε το τμήμα A του μοχλού και κρατήστε το. Ανοίξτε το, ενώ το κρατάτε. **(Εικ. 4 και 5)**

Αποσπάστε τον αναστολέα σκόνης μαζί με τον σάκο σκόνης, τραβώντας ταυτόχρονα προς τα έξω. **(Εικ. 6)**

Αφαιρέστε τον αναστολέα σκόνης και αδειάστε το ηλεκτρικό σκουπάκι. **(Εικ. 7 και 8)**

### Σάκος σκόνης και χάρτινη σακούλα

Τοποθετήστε το σάκο σκόνης ή τη χάρτινη σακούλα πριν από τη χρήση της ηλεκτρικής σκούπας. Να χρησιμοποιείτε τον αναστολέα σκόνης, όταν τοποθετείτε σάκο σκόνης ή χάρτινη σακούλα. Μπορείτε να χρησιμοποιήσετε τον σάκο σκόνης πολλές φορές αφού τον καθαρίσετε πρώτα. Η χάρτινη σακούλα είναι μιας χρήσης. Απορρίψτε ολόκληρη τη χάρτινη σακούλα χωρίς άδειασμα, όταν γεμίσει.

### Τοποθέτηση σάκου σκόνης

Χρησιμοποιήστε τον αναστολέα σκόνης, όταν τοποθετείτε τον σάκο σκόνης. Προσέξτε να μη υπερδέψετε την πάνω με την κάτω πλευρά, διότι διαφέρουν. **(Εικ. 9)**

1. Εισάγετε την προεξοχή του σάκου σκόνης στην εγκοπή του αναστολέα σκόνης, όπως υποδεικνύεται στην εικόνα. **(Εικ. 10)**
2. Δεν υπάρχει διαφορά μεταξύ πάνω και κάτω πλευράς του σάκου σκόνης. Μπορείτε να εισάγετε την προεξοχή οποιασδήποτε πλευράς στην κάτω εγκοπή του αναστολέα σκόνης. **(Εικ. 11)**
3. Επικάλυψτε το πλαίσιο του αναστολέα σκόνης με εκείνο του σάκου σκόνης. **(Εικ. 12)**
4. Τοποθετήστε τον αναστολέα σκόνης μαζί με τον σάκο σκόνης μέσα στην κοιλότητα της ηλεκτρικής σκούπας με την ίδια φορά όπως και η φορά του βέλους που βρίσκεται πάνω στον αναστολέα σκόνης. Φροντίστε για την πλήρη εισαγωγή τους μέσα στην κοιλότητα της ηλεκτρικής σκούπας. **(Εικ. 13)**
5. Τοποθετήστε ολόκληρο το υφασμάτινο τμήμα του σάκου σκόνης στο εσωτερικό της ηλεκτρικής σκούπας. **(Εικ. 14)**
6. Αγκιστρώστε το μπροστινό κάλυμμα στο μπροστινό χείλος της ηλεκτρικής σκούπας. Ακολουθώντας, κλείστε το μπροστινό κάλυμμα. **(Εικ. 15)**

### Τοποθέτηση της χάρτινης σακούλας

1. Ξεδιπλώστε το στόμιο εισαγωγής της χάρτινης σακούλας πριν από την τοποθέτησή της πάνω στον αναστολέα σκόνης. **(Εικ. 16)**  
Χρησιμοποιήστε επίσης τον αναστολέα σκόνης, όταν τοποθετείτε τη χάρτινη σκόνης. Προσέξτε να μη υπερδέψετε την πάνω με την κάτω πλευρά, διότι διαφέρουν. **(Εικ. 17)**
2. Εισάγετε την προεξοχή της χάρτινης σκόνης στην εγκοπή του αναστολέα σκόνης, όπως υποδεικνύεται στην εικόνα. **(Εικ. 18)**
3. Δεν υπάρχει διαφορά μεταξύ πάνω και κάτω πλευράς της χάρτινης σκόνης. Μπορείτε να εισάγετε την προεξοχή οποιασδήποτε πλευράς στην κάτω εγκοπή του αναστολέα σκόνης. **(Εικ. 19)**
4. Επικάλυψτε το πλαίσιο του αναστολέα σκόνης με εκείνο της χάρτινης σακούλας. **(Εικ. 20)**
5. Τοποθετήστε ολόκληρο το υφασμάτινο τμήμα της χάρτινης σκόνης στο εσωτερικό της ηλεκτρικής σακούλας. Φροντίστε για την πλήρη εισαγωγή τους μέσα στην κοιλότητα της ηλεκτρικής σκούπας. **(Εικ. 21)**

6. Τοποθετήστε ολόκληρο το υφασμάτινο τμήμα της χάρτινης σακούλας στο εσωτερικό της ηλεκτρικής σκούπας. **(Εικ. 22)**

#### ΣΗΜΕΙΩΣΗ:

- Η χάρτινη σακούλα είναι μιας χρήσης. Όταν γεμίσει, απορρίψτε ολόκληρη τη χάρτινη σακούλα χωρίς άδειασμα.
7. Αγκιστρώστε το μπροστινό κάλυμμα στο μπροστινό χείλος της ηλεκτρικής σκούπας. Ακολουθώντας, κλείστε το μπροστινό κάλυμμα. **(Εικ. 23)**

#### ΠΡΟΣΟΧΗ:

- Η μη τοποθέτηση του σάκου σκόνης ή της χάρτινης σακούλας, η μη εισαγωγή του αναστολέα σκόνης μαζί με τον σάκο σκόνης ή τη χάρτινη σακούλα πλήρως μέσα στις υποδοχές ή η χρήση κομμένου ή σχισμένου σάκου, ενδέχεται να επιτρέψει τη διείσδυση σκόνης στο εσωτερικό του κινητήρα. Αυτό ενδέχεται να προκαλέσει βλάβη του μοτέρ.
- Μη διπλώνετε το χαρτόνι στο άνοιγμά του, κατά την τοποθέτηση της χάρτινης σακούλας.
- Μην πετάτε ποτέ τον αναστολέα σκόνης διότι θα πρέπει να χρησιμοποιείται κάθε φορά που χρησιμοποιείται ο σάκος σκόνης ή η χάρτινη σακούλα.

## ΛΕΙΤΟΥΡΓΙΑ

### Καθαρισμός (Αναρρόφηση)

#### Ακροφύσιο (Εικ. 24)

Προσαρμόστε το ακροφύσιο για να καθαρίσετε τραπέζια, γραφεία, έπιπλα, κ.λπ. Το ακροφύσιο τοποθετείται εύκολα σύροντάς το.

#### Ακροφύσιο + Ράβδος προέκτασης (Ευθύς σωλήνας) (Εικ. 25)

Η ράβδος προέκτασης τοποθετείται μεταξύ ακροφυσίου και ηλεκτρικής σκούπας. Ο συνδυασμός αυτός διευκολύνει στον καθαρισμό ενός δαπέδου, ενώ ο χειριστής παραμένει σε όρθια θέση.

#### Ακροφύσιο γωνιών (Εικ. 26)

Τοποθετήστε το ακροφύσιο γωνιών για να καθαρίσετε γωνίες και χαραμάδες σε ένα αυτοκίνητο ή έπιπλα.

#### Ακροφύσιο γωνιών + Ράβδος προέκτασης (Ευθύς σωλήνας) (Εικ. 27)

Χρησιμοποιήστε αυτόν το συνδυασμό σε περιορισμένους χώρους, όπου η ηλεκτρική σκούπα δεν χωρά, ή σε υψηλά σημεία όπου η πρόσβαση είναι δύσκολη.

## ΣΥΝΤΗΡΗΣΗ

#### ΠΡΟΣΟΧΗ:

- Να φροντίζετε πάντα για την απενεργοποίηση του εργαλείου πριν επιχειρήσετε οποιοδήποτε έλεγχο ή συντήρηση του εργαλείου.

#### Μετά από τη χρήση (Εικ. 28)

Κατά τη φόρτιση ή φύλαξη της ηλεκτρικής σκούπας, αναρτήστε την από ένα καρφί ανασηκώνοντας τον εξυπηρητικό αναρτήρα που βρίσκεται στο πίσω μέρος.

#### Καθαρισμός (Εικ. 29 και 30)

Περιστασιακά, καθαρίστε το εξωτερικό (σώμα ηλεκτρικής σκούπας) της σκούπας χρησιμοποιώντας ένα πανί που έχετε υγράνει με σαπουνόνερο. Καθαρίστε, επίσης, το άνοιγμα αναρρόφησης, το χώρο τοποθέτησης του σάκου/της χάρτινης σακούλας και τον αναστολέα σκόνης.

#### ΠΡΟΣΟΧΗ:

- Μη χρησιμοποιείτε ποτέ βενζίνη, διαλυτικό ή παρόμοιες ουσίες. Ενδέχεται να προκληθεί αποχρωματισμός ή ρωγμές.

Πλύντε το σάκο σκόνης σε σαπουνόνερο, όταν παρατηρηθεί έμφραξη λόγω σκόνης και μείωση της απορροφητικής ισχύος. Στεγνώστε πλήρως πριν από τη χρήση. Ένας σάκος που δεν είναι απολύτως στεγνός ενδέχεται να προκαλέσει κακή αναρρόφηση και μείωση της διάρκειας ζωής του μοτέρ.

#### ΣΗΜΕΙΩΣΗ:

- Η χάρτινη σακούλα είναι μιας χρήσης.

Όταν το φίλτρο σπόγγου παρουσιάζει έμφραξη λόγω σκόνης, αφαιρέστε το από την ηλεκτρική σκούπα και καθαρίστε το ή πλύντε το με νερό.

#### Αφαίρεση και τοποθέτηση του φίλτρου σπόγγου (Εικ. 31, 32 και 33)

Για να αφαιρέσετε το φίλτρο σπόγγου, αφαιρέστε το σάκο σκόνης ή τη χάρτινη σακούλα και ακολουθήστε αφαιρέστε σφίγγοντάς το.

Πιέστε ολόκληρο το άκρο του φίλτρου σπόγγου πάνω στο τοίχωμα της εσοχής, στο εσωτερικό του χώρου τοποθέτησης του σάκου σκόνης/της χάρτινης σακούλας.

#### ΠΡΟΣΟΧΗ:

- Μετά από τον καθαρισμό του φίλτρου σπόγγου, φροντίστε για την επανατοποθέτησή του στο ηλεκτρικό σκουπάκι. Εάν πλυθεί σε νερό, στεγνώστε το πριν από την τοποθέτηση. Ένα φίλτρο σπόγγου που δεν είναι απολύτως στεγνό ενδέχεται να προκαλέσει μείωση της διάρκειας ζωής του μοτέρ.

#### Απόρριψη ηλεκτρικής σκούπας

Υπάρχει ενσωματωμένη μπαταρία Ni-Cd σε αυτή την ηλεκτρική σκούπα. Πριν από την απόρριψη της ηλεκτρικής σκούπας, πρέπει πάντα να την αφαιρείται πάντα.

## Αφαίρεση της ενσωματωμένης μπαταρίας

### ΠΡΟΣΟΧΗ:

- Μην αφαιρείτε ποτέ την ενσωματωμένη μπαταρία από την ηλεκτρική σκούπα, εκτός από την περίπτωση απόρριψης της ηλεκτρικής σκούπας. Ενδέχεται να προκληθεί βλάβη ή βραχυκύκλωμα στη μπαταρία.
  - Μην αγγίζετε τους ακροδέκτες με κανένα αγώγιμο υλικό.
  - Να αποφεύγετε τη φύλαξη της μονάδας μπαταρίας σε δοχείο μαζί με άλλα μεταλλικά αντικείμενα, όπως καρφιά, νομίσματα, κ.λ.π.
  - Μην εκθέτετε τη μονάδα μπαταρίας σε νερό ή βροχή.
  - Μην αποσυναρμολογείτε ή τροποποιείτε τη μονάδα μπαταρίας.
1. Για να αφαιρέσετε το πίσω κάλυμμα, πιέστε το προς τη φορά του βέλους. **(Εικ. 34)**
  2. Σύρετε την ενσωματωμένη μπαταρία προς τα έξω κατά το ήμισυ της διαδρομής. **(Εικ. 35)**
  3. Αποσυνδέστε τα τρία καλώδια από τη μπαταρία, πιέζοντας τον κονέκτορα στο τμήμα 25 κατά τη φορά του βέλους, όπως υποδεικνύεται στην εικόνα, και τραβώντας. Ακολούθως, ανασύρετε τη μονάδα μπαταρίας τελείως.
  4. Τοποθετήστε τη μονάδα μπαταρίας που αφαιρέσατε μέσα σε πλαστική σακούλα, ώστε να μην προκληθεί βραχυκύκλωμα. **(Εικ. 36)**

Προς διατήρηση της ΑΣΦΑΛΕΙΑΣ και ΑΞΙΟΠΙΣΤΙΑΣ του προϊόντος, τυχόν επισκευές, συντήρηση ή ρύθμιση θα πρέπει να εκτελούνται από εξουσιοδοτημένα κέντρα σέρβις ή κέντρα εργασιασικού σέρβις της Makita, χρησιμοποιώντας πάντα ανταλλακτικά εξαρτήματα της Makita.

## ΠΑΡΕΛΚΟΜΕΝΑ

### ΠΡΟΣΟΧΗ:

- Αυτά τα παρελκόμενα ή προσαρτήματα συνιστώνται για χρήση με το εργαλείο της Makita που περιγράφεται στο παρόν εγχειρίδιο. Η χρήση οποιουδήποτε άλλου παρελκόμενου ή προσαρτήματος ενέχει κίνδυνο τραυματισμού ατόμων. Το παρελκόμενο ή προσάρτημα να χρησιμοποιείται μόνο για την προοριζόμενη χρήση του.

Εάν χρειάζεστε βοήθεια όσον αφορά περαιτέρω λεπτομέρειες σχετικά με τα εν λόγω παρελκόμενα, απευθυνθείτε στο τοπικό κέντρο σέρβις της Makita.

- Ράβδος προέκτασης (Ευθύς σωλήνας)
- Ακροφύσιο
- Ακροφύσιο γωνιών
- Σάκος σκόνης
- Χάρτινη σακούλα
- Αναστολέας σκόνης
- Φορτιστής DC7021

**ENGLISH****EC-DECLARATION OF CONFORMITY**

We declare under our sole responsibility that this product is in compliance with the following standards of standardized documents;

EN60335, EN55014

in accordance with Council Directives, 73/23/EEC and 89/336/EEC.

**FRANÇAISE****DÉCLARATION DE CONFORMITÉ CE**

Nous déclarons sous notre entière responsabilité que ce produit est conforme aux normes des documents standardisés suivants,

EN60335, EN55014

conformément aux Directives du Conseil, 73/23/CEE et 89/336/CEE.

**DEUTSCH****CE-KONFORMITÄTSERKLÄRUNG**

Hiermit erklärt wir unter unserer alleinigen Verantwortung, daß dieses Produkt gemäß den Ratsdirektiven 73/23/EWG und 89/336/EWG mit den folgenden Normen von Normendokumenten übereinstimmen:

EN60335, EN55014.

**ITALIANO****DICHIARAZIONE DI CONFORMITÀ  
CON LE NORME DELLA COMUNITÀ EUROPEA**

Dichiariamo sotto la nostra sola responsabilità che questo prodotto è conforme agli standard di documenti standardizzati seguenti:

EN60335, EN55014

secondo le direttive del Consiglio 73/23/CEE e 89/336/CEE.

**NEDERLANDS****EG-VERKLARING VAN CONFORMITEIT**

Wij verklaren hierbij uitsluitend op eigen verantwoordelijkheid dat dit produkt voldoet aan de volgende normen van genormaliseerde documenten,

EN60335, EN55014

in overeenstemming met de richtlijnen van de Raad 73/23/EEC en 89/336/EEC.

**ESPAÑOL****DECLARACIÓN DE CONFORMIDAD DE LA CE**

Declaramos bajo nuestra sola responsabilidad que este producto cumple con las siguientes normas de documentos normalizados,

EN60335, EN55014

de acuerdo con las directivas comunitarias, 73/23/EEC y 89/336/EEC.

*Tomoyasu Kato CE 2008*



Director	Amministratore
Directeur	Directeur
Direktor	Director

Responsible Manufacturer:

Fabricant responsable :

Verantwortlicher Hersteller:

**Makita Corporation**

3-11-8, Sumiyoshi-cho, Anjo, Aichi, JAPAN

Produttore responsabile:

Verantwoordelijke fabrikant:

Fabricante responsable:

Authorized Representative in Europe:

Représentant agréé en Europe :

Autorisierte Vertretung in Europa:

**Makita International Europe Ltd.**

Michigan Drive, Tongwell, Milton Keynes, Bucks MK15 8JD, ENGLAND

Rappresentante autorizzato per l'Europa:

Erkende vertegenwoordiger in Europa:

Representante autorizado en Europa:

**PORTUGUÊS****DECLARAÇÃO DE CONFORMIDADE DA CE**

Declaramos sob inteira responsabilidade que este produto obedece às seguintes normas de documentos normalizados,

EN60335, EN55014

de acordo com as directivas 73/23/CEE e 89/336/CEE do Conselho.

**ΕΛΛΗΝΙΚΑ****ΔΗΛΩΣΗ ΣΥΜΜΟΡΦΩΣΗΣ ΕΚ**

Δηλώνουμε υπό την μοναδική μας ευθύνη ότι αυτό το προϊόν βρίσκεται σε Συμφωνία με τα ακόλουθα πρότυπα τυποποιημένων εγγράφων,

EN60335, EN55014

σύμφωνα με τις Οδηγίες του Συμβουλίου, 73/23/EEC και 89/336/EEC.

**DANSK****EU-DEKLARATION OM KONFORMITET**

Vi erklærer hermed på eget ansvar, at dette produkt er i overensstemmelse med de følgende standarder i de normsættende dokumenter,

EN60335, EN55014

i overensstemmelse med Rådets Direktiver 73/23/EEC og 89/336/EEC.

*Tomoyasu Kato* **CE 2008**



Director      Διευθυντής  
Direktør

Fabricante responsável:      Υπεύθυνος κατασκευαστής:  
Ansvarlig fabrikant:

**Makita Corporation**  
3-11-8, Sumiyoshi-cho, Anjo, Aichi, JAPAN

Representador Autorizado na Europa:      Εξουσιοδοτημένος Αντιπρόσωπος στην Ευρώπη:  
Autoriseret repræsentant i Europa:

**Makita International Europe Ltd.**  
Michigan Drive, Tongwell, Milton Keynes, Bucks MK15 8JD, ENGLAND





**Makita Corporation**

Anjo, Aichi, Japan

884808-995