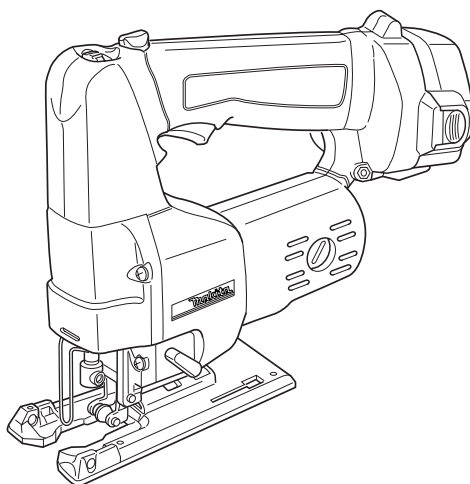
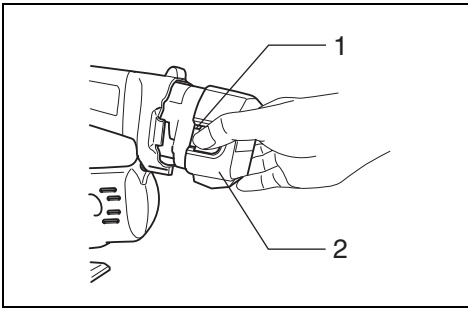


Makita®

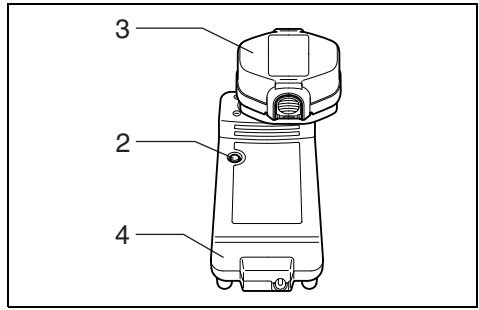
GB	Cordless Jig Saw	Instruction Manual
F	Scie sauteuse sans fil	Manuel d'instructions
D	Akku-Stichsäge	Betriebsanleitung
I	Seghetto alternativo a batteria	Istruzioni per l'uso
NL	Snoerloze figuurzaag	Gebruiksaanwijzing
E	Sierra de cacadora a batería	Manual de instrucciones
P	Serra de vaivém a bateria	Manual de instruções
DK	Akku-pendulstiksav	Brugsanvisning
S	Sladdlös sticksåg	Bruksanvisning
N	Batteridrevet løvsag	Bruksanvisning
SF	Akkukäyttöinen kuviosaha	Käyttöohje
GR	Ασύρματο παλινδρομικό πριόνι	Οδηγίες χρήσεως

12 V 4331D
14.4 V 4333D

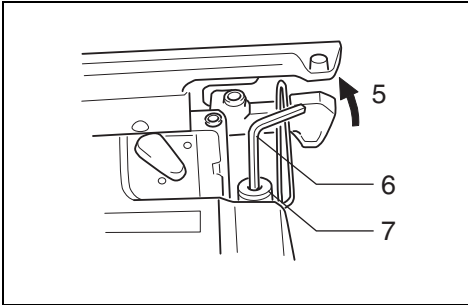




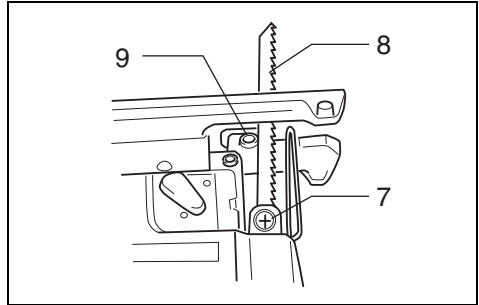
1



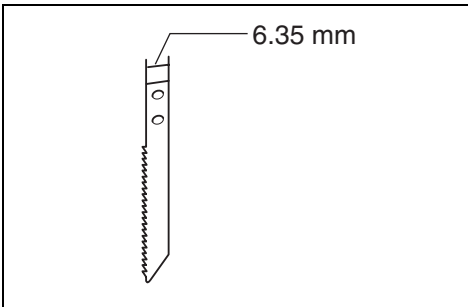
2



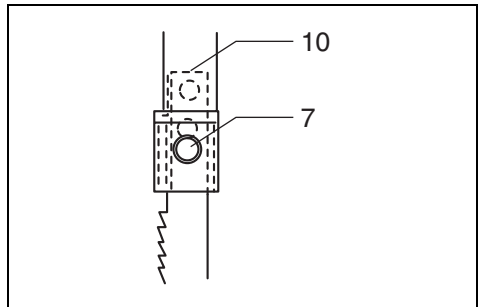
3



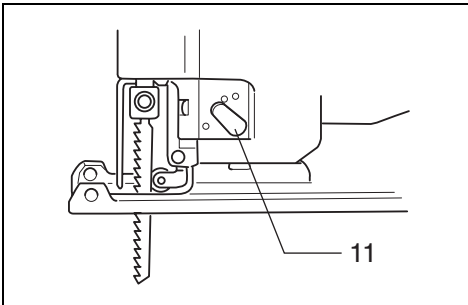
4



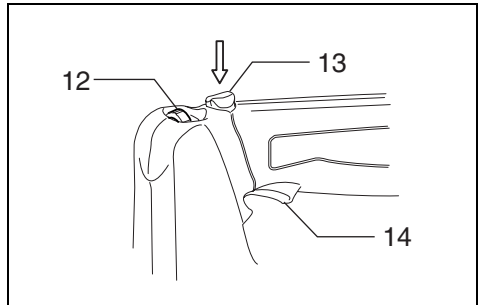
5



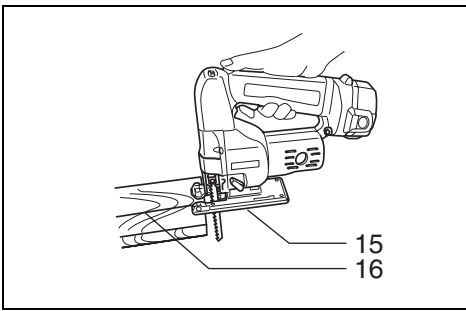
6



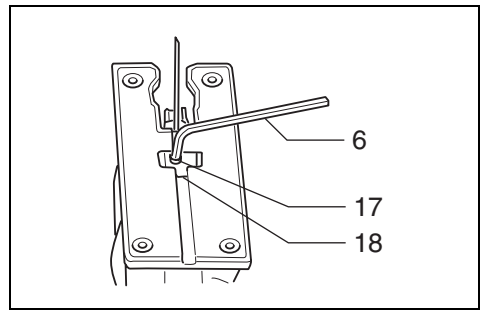
7



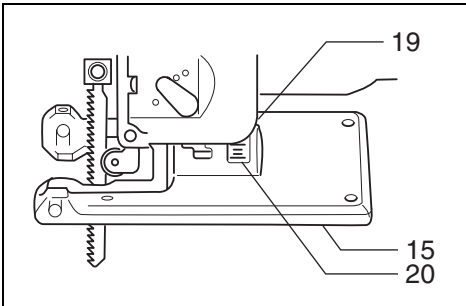
8



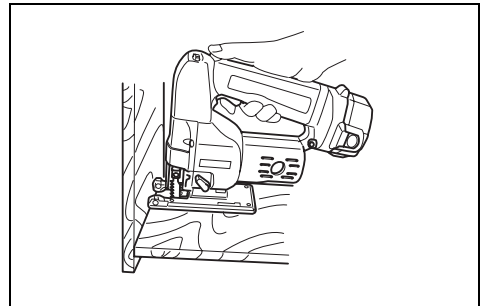
9



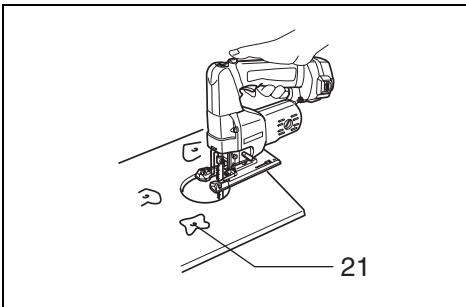
10



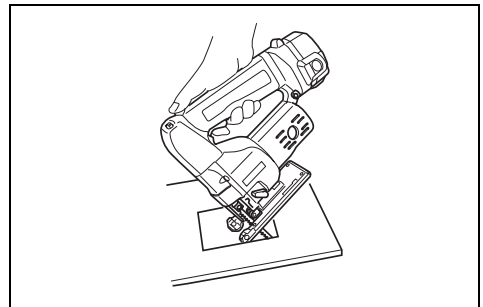
11



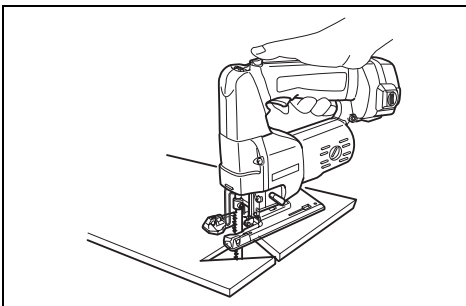
12



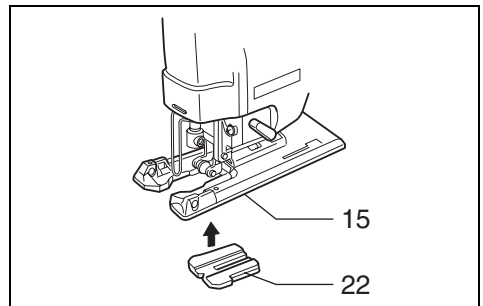
13



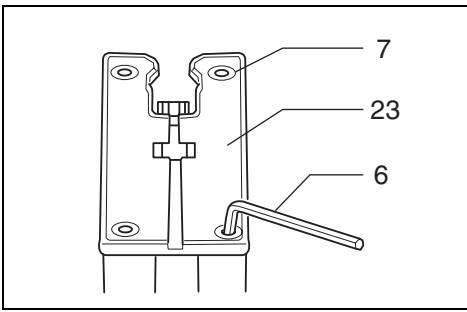
14



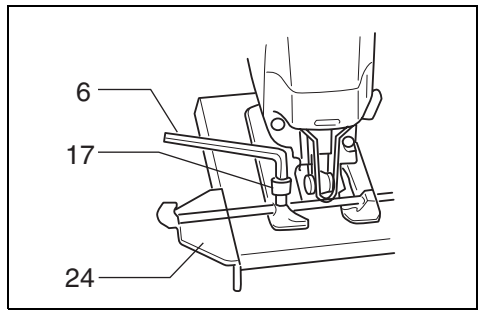
15



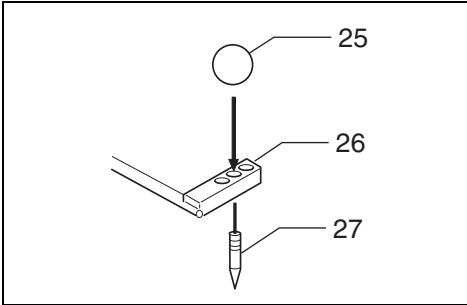
16



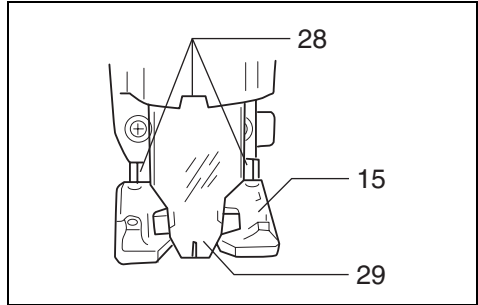
17



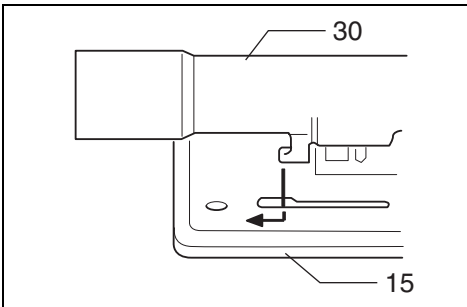
18



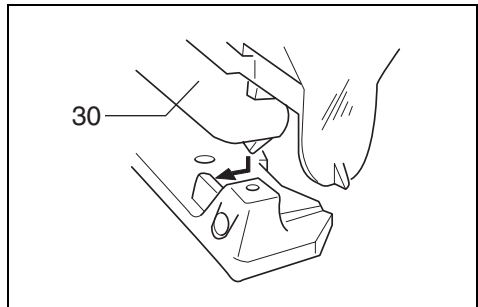
19



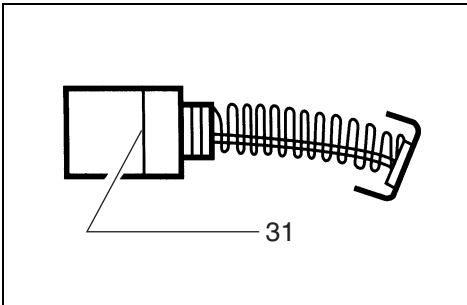
20



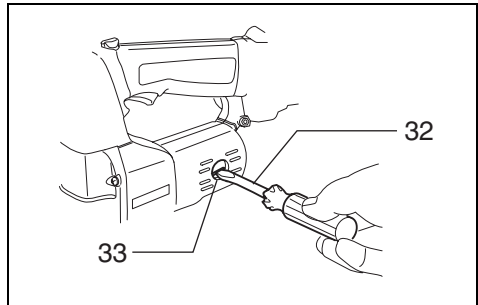
21



22



23



24

ENGLISH

Explanation of general view

1 Button	11 Lever	23 Plastic base plate
2 Battery cartridge	12 Speed adjusting dial	24 Guide rule
3 Charging light	13 Lock-off button	25 Threaded knob
4 Battery charger	14 Switch trigger	26 Circular guide
5 Loosen	15 Base	27 Pin
6 Hex wrench	16 Cutting line	28 Fit into notches.
7 Bolt	17 Bolt	29 Plastic cover
8 Jig saw blade	18 Cross-shaped slot	30 Nozzle
9 Roller	19 Edge of motor housing	31 Limit mark
10 The end of the blade shank should reach the bottom of the inner slit.	20 Graduations	32 Screwdriver
	21 Starting hole	33 Brush holder cap
	22 Anti-splintering device	

SPECIFICATIONS

Model	4331D	4333D
Length of stroke	26 mm	26 mm
Max. cutting capacities		
Wood	65 mm	65 mm
Mild steel	10 mm	10 mm
Aluminum	20 mm	20 mm
Strokes per minute	500–2,800	500–2,600
Overall length	280 mm	280 mm
Net weight	2.6 kg	2.9 kg
Rated voltage	D.C. 12 V	D.C. 14.4 V

- Due to our continuing program of research and development, the specifications herein are subject to change without notice.
- Note: Specifications may differ from country to country.

Safety hints

For your own safety, please refer to the enclosed safety instructions.

IMPORTANT SAFETY INSTRUCTIONS FOR CHARGER & BATTERY CARTRIDGE

ENC001-2

1. **SAVE THESE INSTRUCTIONS** — This manual contains important safety and operating instructions for battery charger.
2. Before using battery charger, read all instructions and cautionary markings on (1) battery charger, (2) battery, and (3) product using battery.
3. **CAUTION** — To reduce risk of injury, charge only MAKITA type rechargeable batteries. Other types of batteries may burst causing personal injury and damage.
4. Do not expose charger to rain or snow.
5. Use of an attachment not recommended or sold by the battery charger manufacturer may result in a risk of fire, electric shock, or injury to persons.
6. To reduce risk of damage to electric plug and cord, pull by plug rather than cord when disconnecting charger.
7. Make sure cord is located so that it will not be stepped on, tripped over, or otherwise subjected to damage or stress.

8. **Do not operate charger with damaged cord or plug — replace them immediately.**
9. **Do not operate charger if it has received a sharp blow, been dropped, or otherwise damaged in any way; take it to a qualified serviceman.**
10. **Do not disassemble charger or battery cartridge; take it to a qualified serviceman when service or repair is required. Incorrect reassembly may result in a risk of electric shock or fire.**
11. **To reduce risk of electric shock, unplug charger from outlet before attempting any maintenance or cleaning. Turning off controls will not reduce this risk.**
12. The battery charger is not intended for use by young children or infirm persons without supervision.
13. Young children should be supervised to ensure that they do not play with the battery charger.

ADDITIONAL SAFETY RULES FOR CHARGER & BATTERY CARTRIDGE

1. Do not charge battery cartridge when temperature is BELOW 10°C (50°F) or ABOVE 40°C (104°F).
2. Do not attempt to use a step-up transformer, an engine generator or DC power receptacle.
3. Do not allow anything to cover or clog the charger vents.
4. Always cover the battery terminals with the battery cover when the battery cartridge is not used.

5. **Do not short the battery cartridge:**
 - (1) **Do not touch the terminals with any conductive material.**
 - (2) **Avoid storing battery cartridge in a container with other metal objects such as nails, coins, etc.**
 - (3) **Do not expose battery cartridge to water or rain.**
A battery short can cause a large current flow, overheating, possible burns and even a breakdown.
6. **Do not store the tool and battery cartridge in locations where the temperature may reach or exceed 50°C (122°F).**
7. **Do not incinerate the battery cartridge even if it is severely damaged or is completely worn out. The battery cartridge can explode in a fire.**
8. **Be careful not to drop, shake or strike battery.**
9. **Do not charge inside a box or container of any kind. The battery must be placed in a well ventilated area during charging.**

5. **Do not cut oversize workpiece.**
6. **Check for the proper clearance beneath the workpiece before cutting so that the blade will not strike the floor, workbench, etc.**
7. **Hold the tool firmly.**
8. **Check the blade is not contacting the workpiece before the switch is turned on.**
9. **Keep hands away from moving parts.**
10. **Do not leave the tool running. Operate the tool only when hand-held.**
11. **Always switch off and wait for the blade to come to a complete stop before removing the blade from the workpiece.**
12. **Do not touch the blade or the workpiece immediately after operation; they may be extremely hot and could burn your skin.**

SAVE THESE INSTRUCTIONS.

OPERATING INSTRUCTIONS

Installing or removing battery cartridge (Fig. 1)

- Always switch off the tool before insertion or removal of the battery cartridge.
- To remove the battery cartridge, withdraw it from the tool while pressing the buttons on both sides of the cartridge.
- To insert the battery cartridge, align the tongue on the battery cartridge with the groove in the housing and slip it into place. Always insert it all the way until it locks in place with a little click. If not, it may accidentally fall out of the tool, causing injury to you or someone around you.
- Do not use force when inserting the battery cartridge. If the cartridge does not slide in easily, it is not being inserted correctly.

ADDITIONAL SAFETY RULES FOR TOOL

ENB030-1

1. **Be aware that this tool is always in an operating condition, because it does not have to be plugged into an electrical outlet.**
2. **Hold tool by insulated gripping surfaces when performing an operation where the cutting tool may contact hidden wiring. Contact with a “live” wire will make exposed metal parts of the tool “live” and shock the operator.**
3. **Avoid cutting nails. Inspect for and remove all nails from the workpiece before operation.**
4. **Do not cut hollow pipe.**

Charging (Fig. 2)

Your new battery cartridge is not charged. You will need to charge it before use. Use the battery charger to charge the battery cartridge.

Plug the battery charger into the proper A/C voltage source. The charging light will flash in green color. Insert the battery cartridge so that the plus and minus terminals on the battery cartridge are on the same sides as their respective markings on the battery charger. Insert the cartridge fully into the port so that it rests on the charger port floor. When the battery cartridge is inserted, the charging light color will change from green to red and charging will begin. The charging light will remain lit steadily during charging. When the charging light color changes from red to green, the charging cycle is complete.

If you leave the battery cartridge in the charger after the charging cycle is complete, the charger will switch into its “trickle charge (maintenance charge)” mode. After charging, unplug the charger from the power source. Refer to the table below for the charging time.

Battery type	Capacity (Ah)	Number of cells	Charging time
1222 (Ni-cd)	2.0	10	Approx. 45 min.
1234 (Ni-MH)	2.6	10	Approx. 60 min.
1235 (Ni-MH)	3.0	10	Approx. 70 min.
1422 (Ni-cd)	2.0	12	Approx. 45 min.
1434 (Ni-MH)	2.6	12	Approx. 60 min.
1435 (Ni-MH)	3.0	12	Approx. 70 min.

CAUTION:

- The battery charger is for charging Makita battery cartridge. Never use it for other purposes or for other manufacturer's batteries.
- When you charge a new battery cartridge or a battery cartridge which has not been used for a long period of time, it may not accept a full charge. This is a normal condition and does not indicate a problem. You can recharge the battery cartridge fully after discharging it completely and recharging a couple of times.
- If you charge a battery cartridge from a just-operated tool or a battery cartridge which has been left in a location exposed to direct sunlight or heat for a long time, the charging light may flash in red color. If this occurs, wait for a while. Charging will begin after the battery cartridge cools. The battery cartridge will cool faster if you remove the battery cartridge from the battery charger.
- If the charging light flashes alternately in green and red color, a problem exists and charging is not possible. The terminals on the charger or battery cartridge are clogged with dust or the battery cartridge is worn out or damaged.

Trickle charge (Maintenance charge)

If you leave the battery cartridge in the charger to prevent spontaneous discharging after full charge, the charger will switch into its "trickle charge (maintenance charge)" mode and keep the battery cartridge fresh and fully charged.

Tips for maintaining maximum battery life

1. Charge the battery cartridge before completely discharged.
Always stop tool operation and charge the battery cartridge when you notice less tool power.
2. Never recharge a fully charged battery cartridge.
Overcharging shortens the battery service life.
3. Charge the battery cartridge with room temperature at 10°C – 40°C (50°F – 104°F).
Let a hot battery cartridge cool down before charging it.
4. Charge the Nickel Metal Hydride battery cartridge when you do not use it for more than six months.

Installing or removing saw blade (Fig. 3 & 4)

CAUTION:

- Always be sure that the tool is switched off and unplugged before installing or removing the blade.
- Always clean out all chips or foreign matter adhering to the blade and/or blade holder. Failure to do so may cause insufficient tightening of the blade, resulting in a serious injury.
- Use a lubricant or cutting oil between the blade and roller when cutting iron or composition board, etc. Failure to do so will shorten the service life of your blade and roller or lead to potentially dangerous blade breakage.

To install the blade, loosen the bolt on the blade holder with the hex wrench. With the blade teeth facing forward, insert the blade into the blade holder as far as it will go. Make sure that the back edge of the blade fits into the roller. Then tighten the bolt to secure the blade.

To remove the blade, follow the installation procedures in reverse.

NOTE:

Occasionally lubricate the roller.

Selecting the cutting action (Fig. 7)

This tool can be operated with an orbital or a straight line (up and down) cutting action. The orbital cutting action thrusts the blade forward on the cutting stroke and greatly increases cutting speed.

To change the cutting action, just turn the lever to the desired cutting action position. Refer to the table below to select the cutting action.

Position	Cutting action	Applications
O	Straight line cutting action	For cutting mild steel, stainless steel and plastics. For clean cuts in wood and plywood.
I	Small orbit cutting action	For cutting mild steel, aluminum and hard wood.
II	Medium orbit cutting action	For cutting wood and plywood. For fast cutting in aluminum and mild steel.
III	Large orbit cutting action	For fast cutting in wood and plywood.

Switch action (Fig. 8)

CAUTION:

Before inserting the battery cartridge into the tool, always check to see that the switch trigger actuates properly and returns to the "OFF" position when released. Pulling the trigger hard when the lock-off button is not pressed causes switch damage.

To prevent the switch trigger from being accidentally pulled, a lock-off button is provided. To start the tool, depress the lock-off button and pull the switch trigger. Release the switch trigger to stop.

Speed adjusting dial (Fig. 8)

The tool speed can be infinitely adjusted between 500 and 2,800 (Model 4331D), 500 and 2,600 (Model 4333D) strokes per minute by turning the adjusting dial. Higher speed is obtained when the dial is turned in the direction of number 5; lower speed is obtained when it is turned in the direction of number 1. Refer to the table below to select the proper speed for the workpiece to be cut. However, the appropriate speed may differ with the type or thickness of the workpiece. In general, higher speeds will allow you to cut workpieces faster but the service life of the blade will be reduced.

Workpiece to be cut	Number on adjusting dial
Wood	3–5
Mild steel	3–5
Stainless steel	3–4
Aluminum	2–3
Plastics	1–4

CAUTION:

The speed adjusting dial can be turned only as far as 5 and back to 1. Do not force it past 5 or 1, or the speed adjusting function may no longer work.

Operation (Fig. 9)

CAUTION:

- Check carefully that the blade is adequately secured in position before inserting the battery into the tool.
- Always hold the base flush with the workpiece. Failure to do so may cause blade breakage, resulting in a serious injury.

Turn the tool on and wait until the blade attains full speed. Then rest the base flat on the workpiece and gently move the tool forward along the previously marked cutting line. When cutting curves, advance the tool slowly.

Bevel cutting (Fig. 10 & 11)

CAUTION:

Always remove the battery from the tool before making any adjustments.

With the base tilted, you can make bevel cuts at any angle between 0° and 45° (left or right).

Loosen the bolt on the back of the base with the hex wrench. Move the base so that the bolt is positioned in the center of the cross-shaped slot in the base. Tilt the base until the desired bevel angle is obtained. The edge of the motor housing indicates the bevel angle by graduations. Check the contact between the back edge of the blade and the roller, then tighten the bolt to secure the base.

Front flush cuts (Fig. 12)

Loosen the bolt on the back of the base with the hex wrench, then move the base all the way back. Then tighten the bolt to secure the base.

Cutouts (Fig. 13 & 14)

Cutouts can be made with either of two methods A or B.

- A) Boring a starting hole: For internal cutouts without a lead-in cut from an edge, pre-drill a starting hole more than 12 mm in diameter. Insert the blade into this hole to start your cut.
- B) Plunge cutting: You need not bore a starting hole or make a lead-in cut if you carefully do as follows.
 1. Tilt the tool up on the front edge of the base, with the blade point positioned just above the workpiece surface.
 2. Apply pressure to the tool so that the front edge of the base will not move when you switch on the tool and gently lower the back end of the tool slowly.
 3. As the blade pierces the workpiece, slowly lower the base of the tool down onto the workpiece surface.
 4. Complete the cut in the normal manner.

Finishing edges (Fig. 15)

To trim edges or make dimensional adjustments, run the blade lightly along the cut edges.

Metal cutting

Always use a suitable coolant (cutting oil) when cutting metal. Failure to do so will cause significant blade wear. The underside of the workpiece can be greased instead of using a coolant.

Anti-splintering device (Fig. 16)

To reduce the potential for workpiece surface splintering, the anti-splintering device can be used. Fit it into the base from below so that it surrounds the sides of the blade.

Plastic base plate (optional accessory) (Fig. 17)

Use the plastic base plate when cutting decorative veneers, plastics, etc. It protects sensitive surfaces from damage. To replace the base plate, remove the four screws with the hex wrench.

Rip fence (optional accessory) (Fig. 18)

When cutting widths of under 150 mm repeatedly, use of the rip fence (guide rule) will assure fast, clean, straight cuts. To install it, loosen the bolt on the front of the base. Slip in the rip fence and secure the bolt.

Circular guide (optional accessory) (Fig. 19)

Use of the circular guide insures clean, smooth cutting of circles (radius: under 200 mm). Insert the pin through the center hole and secure it with the threaded knob. Move the base of the tool forward fully. Then install the circular guide on the base in the same manner as the rip fence (guide rule).

Dust extraction (Fig. 20, 21 & 22)

The vacuum head is recommended to perform clean cutting operations. Install the plastic cover on the tool by fitting it into the notches in the tool.

To attach the vacuum head on the tool, insert the hook of the vacuum head into the hole in the base. The vacuum head can be installed on either left or right side of the base. Then connect a Makita vacuum cleaner to the vacuum head.

MAINTENANCE**CAUTION:**

Always be sure that the tool is switched off and the battery cartridge is removed before carrying out any work on the tool.

Replacement of carbon brushes (Fig. 23 & 24)

Replace carbon brushes when they are worn down to the limit mark. Both identical carbon brushes should be replaced at the same time.

To maintain product safety and reliability, repairs, maintenance or adjustment should be carried out by a Makita Authorized Service Center.

ACCESSORIES**CAUTION:**

- These accessories or attachments are recommended for use with your Makita tool specified in this manual. The use of any other accessories or attachments might present a risk of injury to persons. Only use accessory or attachment for its stated purpose.

If you need any assistance for more details regarding these accessories, ask your local Makita service center.

- Plastic base plate
- Hex wrench 3
- Circular guide assembly
- Anti-splintering device
- Plastic cover
- Hose 19 – 2.5
- Jig saw blade
- Various type of Makita genuine batteries and chargers
- Rip fence (Guide rule)
- Vacuum head

Descriptif

1	Bouton	11	Levier	22	Dispositif anti-fente
2	Batterie	12	Cadran de réglage de la vitesse	23	Plaque de base en plastique
3	Témoin de charge	13	Bouton de sécurité	24	Garde de refente
4	Chargeur	14	Gâchette	25	Bouton à visser
5	Desserrer	15	Base	26	Guide circulaire
6	Clé hexagonale	16	Ligne de coupe	27	Broche
7	Boulon	17	Boulon	28	S'ajuste aux entailles
8	Lame de scie sauteuse	18	Fente en croix	29	Couvercle en plastique
9	Rouleau	19	Bord du bâti du moteur	30	Raccord
10	L'extrémité de la tige de lame doit atteindre le fond de la fente intérieure.	20	Graduations	31	Repère d'usage
		21	Trou de départ	32	Tournevis
				33	Bouchon du porte-charbon

SPECIFICATIONS

Modèle	4331D	4333D
Longueur de course	26 mm	26 mm
Capacités maximum de coupe		
Bois	65 mm	65 mm
Acier doux	10 mm	10 mm
Aluminium	20 mm	20 mm
Frappes par minute	500 – 2 800	500 – 2 600
Longueur totale	280 mm	280 mm
Poids net	2,6 kg	2,9 kg
Tension nominale	12 V CC	14,4 V CC

• Etant donné l'évolution constante de notre programme de recherche et de développement, les spécifications contenues dans ce manuel sont sujettes à modification sans préavis.

• Note : Les spécifications peuvent varier suivant les pays.

Consignes de sécurité

Pour votre propre sécurité, reportez-vous aux consignes de sécurité qui accompagnent l'outil.

CONSIGNES DE SECURITE IMPORTANTES POUR LE CHARGEUR ET LES BATTERIES

1. **CONSERVEZ CES INSTRUCTIONS**—Ce manuel renferme des consignes de sécurité et d'utilisation importantes pour le chargeur de batterie.
2. Avant d'utiliser le chargeur de batterie, lisez toutes les étiquettes d'instruction et de précaution apposées sur (1) le chargeur de batterie, sur (2) la batterie et sur (3) le produit utilisant la batterie.
3. **ATTENTION**—Pour réduire tout risque de blessure, ne rechargez que des batteries rechargeables MAKITA de type rechargeable. Les autres types de batterie pourraient exploser et provoquer des blessures ou des dommages.
4. N'exposez pas le chargeur à la pluie ni à la neige.
5. L'utilisation d'un accessoire non recommandé ou non vendu par le fabricant du chargeur de batterie risque de provoquer un feu, une décharge électrique ou des blessures.
6. Pour réduire tout risque de dommage de la fiche et du cordon électrique, débranchez le cordon du chargeur en tirant sur la fiche.

7. **Vérifiez que le cordon est placé de façon que personne ne puisse marcher dessus, se prendre les pieds dedans, ni l'endommager ou le soumettre à des contraintes.**

8. **N'utilisez pas le chargeur si son cordon ou sa fiche sont endommagés — remplacez-les immédiatement.**

9. **N'utilisez pas le chargeur s'il a reçu un coup, s'il est tombé ou endommagé de toute autre manière ; apportez-le à un réparateur qualifié.**

10. **Ne démontez pas le chargeur ni la batterie ; si un entretien ou des réparations sont nécessaires, apportez-les à un réparateur qualifié. Un remontage incorrect pourrait provoquer une décharge électrique ou un feu.**

11. **Pour réduire tout risque de décharge électrique, débranchez le chargeur de la prise secteur avant tout entretien ou nettoyage. Il ne suffit pas de couper les commandes.**

12. **La batterie ne doit pas être utilisée sans surveillance par des enfants ou des personnes handicapées.**

13. **Les jeunes enfants devraient être surveillés pour s'assurer qu'ils ne jouent pas avec la batterie.**

CONSIGNES DE SECURITE SUPPLEMENTAIRES POUR LE CHARGEUR ET LES BATTERIES

1. Ne rechargez pas la batterie si la température est INFÉRIEURE à 10°C ou SUPÉRIEURE à 40°C.
2. N'essayez pas d'utiliser un transformateur élévateur, un groupe électrogène ou une prise de courant continu.
3. Veillez à ce que rien ne recouvre ni n'obstrue les événements du chargeur.

4. Recouvrez toujours les bornes de la batterie avec le cache de la batterie lorsque vous ne vous servez pas de la batterie.
5. Ne court-circuitez pas la batterie :
 - (1) Ne touchez pas les bornes avec un matériau conducteur.
 - (2) Evitez de ranger la batterie dans un récipient renfermant d'autres objets métalliques, comme des clous, des pièces de monnaie, etc.
 - (3) N'exposez pas la batterie à l'eau ni à la pluie. Un court-circuit pourrait provoquer un fort débit de courant, une surchauffe, parfois des brûlures et même une panne.
6. Ne rangez pas l'outil ni la batterie dans des endroits où la température risque d'atteindre ou de dépasser 50°C.
7. Ne jetez pas la batterie au feu, même si elle est gravement endommagée ou complètement hors d'usage. Elle pourrait exploser.
8. Veillez à ne pas faire tomber, secouer ni heurter la batterie.
9. N'effectuez pas la recharge à l'intérieur d'une boîte ou d'un récipient quel qu'il soit. La batterie devra se trouver dans un endroit bien aéré pendant la recharge.
3. Il est préférable de ne pas scier de clous. Avant d'effectuer une quelconque opération de coupe, examiner l'élément à scier et retirer les clous qui s'y trouveraient.
4. Ne pas scier de tuyaux.
5. Ne pas scier d'éléments dont le diamètre dépasse la capacité de coupe de la scie.
6. Avant de commencer à scier, s'assurer qu'il y a suffisamment d'espace sous l'élément à scier pour que la lame ne heurte pas le sol, l'établi, etc.
7. Tenir fermement l'outil en main.
8. Vérifier que la lame n'est pas en contact avec l'élément à scier avant de mettre la scie sauteuse en marche.
9. Ne jamais approcher les mains des organes mobiles.
10. Ne pas laisser l'outil fonctionner tout seul. Ne le mettre en marche que lorsque vous l'avez en main.
11. Couper l'alimentation et attendre que la lame soit complètement arrêtée avant de dégager la lame d'un élément partiellement scié.
12. Ne jamais toucher directement la lame immédiatement après avoir scié en raison des risques de brûlure.

Protection de l'environnement (Pour la Suisse uniquement)

Afin de préserver l'environnement, rap-
portez la batterie usagée aux postes de
ramassage officiel.



PRECAUTIONS SUPPLEMENTAIRES POUR L'OUTIL

1. Ayez bien conscience que l'outil est constamment en état de marche, car il n'a pas à être raccordé au secteur.
2. Tenez l'outil par ses surfaces de saisie isolées lorsque vous effectuez une opération au cours de laquelle l'outil tranchant risque d'entrer en contact avec un filage caché. Le contact avec un fil sous tension mettrait également sous tension les parties métalliques non isolées de l'outil, électrocutant l'utilisateur.

Recharge (Fig. 2)

La nouvelle batterie n'est pas chargée. Vous devrez donc la recharger avant de pouvoir l'utiliser. Pour cela, utilisez le chargeur.

Branchez le chargeur dans une prise secteur de la tension voulue. Le témoin de charge clignote en vert. Introduisez la batterie de façon que les bornes positive et négative de la batterie soient du même côté que leurs indications respectives sur le chargeur. Enfoncez la batterie à fond dans l'orifice du chargeur de façon qu'elle repose bien à plat sur le fond de l'orifice. Lorsque la batterie est insérée, le témoin de charge passe du vert au rouge et la recharge commence. Le témoin de charge reste allumé en continu pendant toute la durée de la recharge. Quand le témoin de charge passe du rouge au vert, le cycle de recharge est terminé.

Si vous laissez la batterie dans le chargeur lorsque le cycle de recharge est terminé, le chargeur passe en mode de "charge de compensation (charge d'entretien)". Après la recharge, débranchez le chargeur de la prise secteur. Les durées de recharge sont indiquées dans le tableau ci-dessous.

CONSERVEZ CES INSTRUCTIONS.

MODE D'EMPLOI

Installation et retrait de la batterie (Fig. 1)

- Débranchez toujours l'outil avant d'installer ou de retirer la batterie.
- Pour enlever la batterie, sortez-la de l'outil en appuyant sur les boutons placés de chaque côté de la batterie.
- Pour insérer la batterie, alignez la languette de la batterie sur la rainure du logement, et glissez la batterie jusqu'à ce qu'elle se verrouille dans un déclic. Sinon, la batterie risque de tomber accidentellement, ce qui pourrait vous blesser, vous ou d'autres personnes alentour.
- Ne forcez jamais quand vous introduisez la batterie. Si la batterie ne rentre pas aisément, c'est que vous ne l'insérez pas correctement.

Type de batterie	Capacité (Ah)	Nombre d'accus	Durée de recharge
1222 (Ni-cd)	2,0	10	Environ 45 min.
1234 (Ni-MH)	2,6	10	Environ 60 min.
1235 (Ni-MH)	3,0	10	Environ 70 min.
1422 (Ni-cd)	2,0	12	Environ 45 min.
1434 (Ni-MH)	2,6	12	Environ 60 min.
1435 (Ni-MH)	3,0	12	Environ 70 min.

ATTENTION :

- Le chargeur est conçu pour la recharge des batteries Makita. Ne l'utilisez jamais à d'autres fins ni pour des batteries d'autres marques.
- Quand vous chargez une batterie neuve ou une batterie qui n'a pas été utilisée pendant longtemps, il se peut qu'elle ne se recharge pas complètement. Ceci est normal. Vous pourrez recharger la batterie complètement après l'avoir déchargée puis rechargée deux ou trois fois de suite.
- Si vous rechargez la batterie d'un outil qui vient juste de fonctionner, ou une batterie qui est restée en plein soleil ou à la chaleur pendant longtemps, il se peut que le témoin de charge clignote en rouge. Dans ce cas, attendez quelques instants. La recharge commencera lorsque la batterie aura refroidi. La batterie refroidira plus vite si vous la sortez du chargeur.
- Si le témoin de charge clignote alternativement en vert puis en rouge, c'est qu'il y a un problème et que la recharge n'est pas possible. Les bornes du chargeur ou de la batterie sont recouvertes de poussière, ou la batterie est usée ou endommagée.

Charge de compensation (charge d'entretien)

Si vous laissez la batterie dans le chargeur pour éviter toute décharge spontanée après une recharge complète, le chargeur passe en mode de "charge de compensation (charge d'entretien)" pour maintenir la batterie fraîche et rechargée à plein.

Conseils pour obtenir la durée de service maximale de la batterie

1. Rechargez la batterie avant qu'elle ne soit complètement déchargée.
Arrêtez toujours l'outil et rechargez la batterie quand vous remarquez que la puissance de l'outil diminue.
2. Ne rechargez jamais une batterie complètement chargée.
Une surcharge réduira la durée de service de la batterie.
3. Rechargez la batterie à une température ambiante comprise entre 10°C et 40°C.
Si la batterie est chaude, laissez-la refroidir avant de la recharger.
4. Rechargez la batterie à hydrure métallique de nickel lorsqu'elle reste inutilisée pour plus de six mois.

Pose et dépose de la lame de scie sauteuse (Fig. 3 et 4)

ATTENTION:

- Assurez-vous toujours que le contact est coupé et l'outil débranché avant d'installer ou de retirer la lame.
- Enlevez toujours les copeaux et autres corps étrangers qui adhèrent à la lame et/ou à la tige porte-lame. Sinon, la lame risque de ne pas être suffisamment serrée, ce qui pourrait provoquer de graves blessures.
- Mettez un lubrifiant ou de l'huile de coupe entre la lame et le rouleau pour la coupe de fer, du panneau combiné, etc. Autrement, cela peut entraîner une diminution de la durée de vie de la lame ou du rouleau, ou causer un bris de la lame, constituant ainsi un danger potentiel.

Pour installer la lame, desserrez le boulon de la tige porte-lame à l'aide de la clé hexagonale. Les dents de la lame étant tournées vers l'avant, insérez la lame à fond dans la tige porte-lame. Vérifiez que l'arête de la lame rentre dans le galet. Puis, serrez le boulon pour fixer la lame.

Pour retirer la lame, procédez dans l'ordre inverse.

NOTE :

Graissez de temps en temps le galet.

Installation de la lame de scie sauteuse à queue universelle (Fig. 5 et 6)

ATTENTION :

Assurez-vous toujours que l'outil est mis hors tension et débranché avant d'installer ou de retirer la lame.

Si vous utilisez la queue universelle, vous pouvez utiliser des lames d'autres fabricants pourvu qu'elles aient une tige universelle, comme celle indiquée sur la figure, avec une largeur de lame de 6,35 mm. Insérez la lame à fond dans le porte-lame. Assurez-vous que l'extrémité de la tige de la lame atteint le fond de la fente intérieure, puis serrez fermement le boulon à l'aide de la clé hexagonale.

Sélection du type de coupe (Fig. 7)

L'outil peut effectuer des coupes orbitales ou des coupes en ligne droite (vers le haut et vers le bas). La coupe orbitale lance la lame vers l'avant sur la course de coupe et améliore grandement la vitesse de coupe.

Pour modifier le type de coupe, tournez simplement le levier de sélection du type de coupe sur la position correspondant au type de coupe voulu. Pour sélectionner le type de coupe, reportez-vous au tableau ci-dessous.

Position	Type de coupe	Applications
O	Coupe en ligne droite	Pour la coupe d'acier doux, d'acier inoxydable et de matériaux en plastique. Pour des coupes nettes dans du bois et du contreplaqué.
I	Coupe à petite orbite	Pour la coupe d'acier doux, d'aluminium et de bois dur.
II	Coupe à orbite moyenne	Pour la coupe de bois et de contreplaqué. Pour des coupes rapides dans de l'aluminium et de l'acier doux.
III	Coupe à grande orbite	Pour la coupe rapide de bois et de contreplaqué.

Interrupteur (Fig. 8)

ATTENTION :

Avant d'insérer la batterie dans l'outil, vérifiez toujours que la gâchette fonctionne correctement et retourne en position d'arrêt une fois relâchée. Le fait de tirer avec force sur la gâchette sans avoir appuyé sur le bouton de sécurité endommagera la gâchette.

Un bouton de sécurité est installé pour éviter que la gâchette ne soit accidentellement tirée. Pour mettre l'outil en marche, appuyez sur le bouton de sécurité puis tirez sur la gâchette. Pour l'arrêter, relâchez la gâchette.

Molette de réglage de la vitesse (Fig. 8)

Vous pouvez régler la vitesse de l'outil sur toute valeur comprise entre 500 et 2800 (Modèle 4331D), 500 et 2600 (Modèle 4333D) courses par minute en tournant la molette de réglage. La vitesse augmente quand vous tournez la molette vers le chiffre 5, et elle diminue quand vous tournez la molette vers le chiffre 1. Pour sélectionner la vitesse qui convient en fonction du matériau, voyez le tableau ci-dessous. Toutefois, la vitesse qui convient peut varier en fonction du type ou de l'épaisseur du matériau. En général, des vitesses rapides permettront de couper les matériaux plus rapidement, mais cela réduira la durée de service de la lame.

Matériau à couper	Chiffre de la molette de réglage
Bois	3–5
Acier doux	3–5
Acier inoxydable	3–4
Aluminium	2–3
Matériaux plastiques	1–4

ATTENTION :

Vous ne pourrez pas tourner la molette de réglage de la vitesse plus loin que le chiffre 5 et le chiffre 1. Ne la tournez pas de force au-delà de ces chiffres, sinon elle risquerait de ne plus fonctionner.

Opération (Fig. 9)

ATTENTION :

- Vérifiez attentivement que la lame est solidement installée avant d'insérer la batterie dans l'outil.
- Maintenez toujours la base alignée avec la pièce à travailler. Autrement, il peut en résulter une cassure de la lame et une blessure grave.

Mettez l'outil en marche et attendez que la lame atteigne sa pleine vitesse. Posez ensuite la base à plat sur la pièce à travailler et faites avancer l'outil doucement vers l'avant, le long de la ligne de coupe préalablement tracée. Lorsque vous coupez en courbe, faites avancer l'outil lentement.

Coupe en biais (Fig. 10 et 11)

ATTENTION :

Retirez toujours la batterie de l'outil avant d'effectuer tout réglage.

Avec la base inclinée, vous pouvez faire des coupes en biais de n'importe quel angle, entre 0° et 45° (vers la gauche ou la droite).

Desserrez le boulon à l'arrière de la base à l'aide de la clé hexagonale. Déplacez la base de telle sorte que le boulon soit situé au centre de la fente en croix de la base. Inclinez la base jusqu'à ce que l'angle de coupe en biais désiré soit obtenu. L'angle d'inclinaison est indiqué par des graduations sur le bord du bâti du moteur. Vérifiez s'il y a contact entre le bord arrière de la lame et le rouleau, puis serrez le boulon pour fixer la base.

Coupes en coin (Fig. 12)

Desserrez le boulon à l'arrière de la base à l'aide de la clé hexagonale, puis déplacez la base complètement vers l'arrière. Serrez ensuite le boulon pour fixer la base.

Découpage (Fig. 13 et 14)

Le découpage peut s'effectuer par la méthode A ou B.

- A) Perçage d'un trou de départ : pour le découpage interne sans coupe d'introduction à partir du bord, percez d'abord un trou de départ de plus de 12 mm de diamètre. Insérez la lame dans ce trou pour commencer votre coupe.
- B) Sciage en plongée: si vous procédez soigneusement de la façon qui suit, il n'est pas nécessaire de percer un trou de départ ou d'effectuer une coupe d'introduction.
 1. Inclinez l'outil vers le bord avant de la base, le bout de la lame se trouvant juste au-dessus de la surface de la pièce à travailler.
 2. Appliquez une pression sur l'outil de telle sorte que le bord avant de la base ne bouge pas lorsque vous mettez l'appareil en marche, puis abaissez doucement l'extrémité arrière de l'outil, lentement.
 3. A mesure que la lame perce la pièce à travailler, abaissez lentement la base de l'outil sur la surface de la pièce à travailler.
 4. Complétez ensuite la coupe de façon normale.

Finition des bords (Fig. 15)

Pour égaliser les bords ou pour ajuster les dimensions, faites passer la lame légèrement le long des bords de la coupe.

Coupe du métal

Utilisez toujours un fluide de refroidissement (huile de coupe) lorsque vous coupez du métal. Autrement, cela usera considérablement la lame. Au lieu d'utiliser un fluide de refroidissement pour la face inférieure de la pièce à découper, vous pouvez la recouvrir de graisse.

Dispositif anti-fente (Fig. 16)

Afin de réduire le risque que la surface de la pièce à travailler ne se fende, vous pouvez utiliser le dispositif anti-fente. Fixez-le à la base par le dessous, afin qu'il entoure les côtés de la lame.

Plaque de base en plastique (accessoire en option) (Fig. 17)

Utilisez la plaque de base en plastique pour la coupe de placage décoratif, de plastique, etc. Elle protège des dommages les surfaces sensibles. Pour remplacer la plaque de base, retirez les quatre vis à l'aide de la clé hexagonale.

Guide de refente (accessoire en option) (Fig. 18)

Si vous sciez beaucoup à des largeurs inférieures à 150 mm, le guide de refente (règle de guidage) vous permet d'obtenir une coupe rapide, nette et droite. Pour l'installer, desserrez le boulon à l'avant de la semelle. Enfoncez le guide de refente et serrez le boulon.

Guide circulaire (accessoire en option) (Fig. 19)

Le guide circulaire assure une coupe nette et régulière des cercles (rayon de moins de 200 mm). Introduisez la broche par l'orifice central et fixez-la avec le boulon fileté. Avancez complètement la semelle de l'outil. Installez ensuite le guide circulaire sur la semelle en procédant comme pour le guide de refente (règle de guidage).

Dépoussiérage (Fig. 20, 21 et 22)

La tête d'aspiration est recommandée pour réaliser des opérations de coupe propres. Montez le cache en plastique sur l'outil en l'adaptant dans les encoches de l'outil. Pour fixer la tête d'aspiration sur l'outil, introduisez le crochet de la tête d'aspiration dans l'orifice de la semelle. Vous pouvez installer la tête d'aspiration sur le côté gauche ou sur le côté droit de la semelle. Puis, raccordez un aspirateur Makita à la tête d'aspiration.

ENTRETIEN

ATTENTION :

Assurez-vous toujours que l'outil est hors tension et que la batterie a été enlevée avant d'effectuer toute intervention sur l'outil.

Remplacement des charbons (Fig. 23 et 24)

Dès que l'un des charbons atteint son repère d'usure, remplacez la paire (par des charbons de même type).

Pour votre sécurité et la fiabilité du produit, les réparations, la maintenance de cet appareil doit être confiée à un Centre d'Entretien MAKITA.

ACCESSOIRES

ATTENTION :

- Ces accessoires ou pièces complémentaires sont recommandés pour l'utilisation avec l'outil Makita spécifié dans ce mode d'emploi. L'utilisation de tout autre accessoire ou pièce complémentaire peut comporter un risque de blessure. N'utilisez les accessoires ou pièces qu'aux fins auxquelles ils ont été conçus.

Si vous désirez obtenir plus de détails concernant ces accessoires, veuillez contacter le centre de service après-vente Makita le plus près.

- Semelle en plastique
- Clé hexagonale 3
- Ensemble de guide circulaire
- Dispositif anti-éclats
- Cache en plastique
- Tuyau 19 – 2,5
- Lame de scie
- Les divers types de batteries et chargeurs Makita authentiques
- Guide de refente (règle de guidage)
- Tête d'aspiration

Übersicht

1 Akku-Entriegelungsknopf	11 Hebel	23 Kunststoff-Einlegeplatte
2 Akku	12 Hubzahl-Stellrad	24 Parallelanschlag
3 Ladekontrollleuchte	13 Einschaltsperrknopf	25 Gewindeknopf
4 Ladegerät	14 Ein-Aus-Schalter	26 Kreisschneider
5 Lösen	15 Grundplatte	27 Stift
6 Inbusschlüssel	16 Schnittlinie	28 In die Nuten einrasten
7 Schraube	17 Schraube	29 Spanflugschutz
8 Stichsägeblatt	18 Kreuzschlitz	30 Absaugstutzen
9 Führungsrolle	19 Motorgehäusekante	31 Verschleißgrenze
10 Das Ende des Sägeblattschafts muss am Anschlag des Innenschlitzes aufsitzen.	20 Teilstriche	32 Schraubendreher
	21 Vorbohrung	33 Bürstenhalterkappe
	22 Spanreißschutz	

TECHNISCHE DATEN

Modell	4331D	4333D
Hubhöhe	26 mm	26 mm
Maximale Schnittleistung		
Holz	65 mm	65 mm
Weichstahl	10 mm	10 mm
Aluminium	20 mm	20 mm
Hubzahl pro Minute	500 – 2 800	500 – 2 600
Gesamtlänge	280 mm	280 mm
Nettogewicht	2,6 kg	2,9 kg
Nennspannung	DC 12 V	DC 14,4 V

- Wir behalten uns vor, Änderungen im Zuge der Entwicklung und des technischen Fortschritts ohne vorherige Ankündigung vorzunehmen.
- Hinweis: Die technischen Daten können von Land zu Land abweichen.

Sicherheitshinweise

Lesen und beachten Sie diese Hinweise, bevor Sie das Gerät benutzen.

WICHTIGE SICHERHEITSHINWEISE FÜR LADEGERÄT UND AKKU

1. **DIESE ANWEISUNGEN GUT AUFBEWAHREN** — Diese Betriebsanleitung enthält wichtige Sicherheits- und Gebrauchsanweisungen für das Ladegerät.
2. **Lesen Sie vor der Benutzung des Ladegerätes alle Anweisungen und Warnhinweise, die auf (1) Ladegerät, (2) Akku und (3) Akkugerät angegeben sind.**
3. **VORSICHT** — Um die Verletzungsgefahr zu reduzieren, dürfen nur MAKITA-Akkus verwendet werden. Andere Akkutypen können platzen und Verletzungen oder Sachschäden verursachen.
4. **Setzen Sie das Ladegerät weder Regen noch Schnee aus.**
5. **Die Verwendung von Zubehör, das nicht vom Ladegeräte-Hersteller empfohlen oder verkauft wird, kann einen Brand, elektrische Schläge oder Verletzungen verursachen.**
6. **Um Beschädigung des Netzsteckers und Netzkabels zu vermeiden, ziehen Sie beim Trennen des Ladegerätes vom Stromnetz nicht am Kabel, sondern nur am Stecker.**
7. **Verlegen Sie das Netzkabel so, daß niemand darauf tritt oder darüber stolpert, und daß es keinen sonstigen schädlichen Einflüssen oder Belastungen ausgesetzt wird.**

8. **Betreiben Sie das Ladegerät nicht mit einem beschädigten Netzkabel oder Netzstecker — beschädigte Teile sind unverzüglich auszuwechseln.**
9. **Betreiben Sie das Ladegerät nicht, wenn es starken Erschütterungen ausgesetzt, fallengelassen oder sonstwie beschädigt wurde. Bringen Sie es zu einem qualifizierten Kundendiensttechniker.**
10. **Versuchen Sie nicht, das Ladegerät oder den Akku zu zerlegen. Bringen Sie das Teil zu einem qualifizierten Kundendiensttechniker, wenn Wartungs- oder Reparaturarbeiten erforderlich sind. Falscher Zusammenbau kann die Ursache für elektrische Schläge oder einen Brand sein.**
11. **Um die Gefahr von elektrischen Schlägen auszuschließen, trennen Sie das Ladegerät vom Stromnetz, bevor Sie mit Wartungs- oder Reinigungsarbeiten beginnen. Das bloße Ausschalten des Gerätes bewirkt keine Verringerung dieser Gefahr.**
12. **Das Ladegerät sollte nicht von kleinen Kindern oder gebrechlichen Personen ohne Beaufsichtigung benutzt werden.**
13. **Kleine Kinder sollten beaufsichtigt werden, um sicherzugehen, daß sie nicht mit dem Ladegerät spielen.**

ZUSÄTZLICHE SICHERHEITSGESETZ FÜR LADEGERÄT UND AKKU

1. **Laden Sie den Akku nicht bei Temperaturen UNTER 10°C oder ÜBER 40°C.**
2. **Das Ladegerät darf nicht an einen Aufwärtstransformator, Generator oder eine Gleichstrom-Steckdose angeschlossen werden.**
3. **Achten Sie darauf, daß die Lüftungsschlitze des Ladegerätes nicht abgedeckt oder blockiert werden.**

4. Decken Sie die Akkukontakte stets mit der Schutzkappe ab, wenn Sie den Akku nicht benutzen.
5. Der Akku darf nicht kurzgeschlossen werden:
 - (1) Die Kontakte dürfen nicht mit leitfähigem Material berührt werden.
 - (2) Lagern Sie den Akku nicht in einem Behälter zusammen mit anderen Metallgegenständen, wie z.B. Nägel, Münzen usw.
 - (3) Setzen Sie den Akku weder Wasser noch Regen aus.
Ein Kurzschluß des Akkus verursacht starken Stromfluß, der Überhitzung, Verbrennungen und einen Defekt zur Folge haben kann.
6. Lagern Sie Maschine und Akku nicht an Orten, an denen die Temperatur 50 °C erreichen oder überschreiten kann.
7. Versuchen Sie niemals, den Akku zu verbrennen, selbst wenn er stark beschädigt oder vollkommen verbraucht ist. Der Akku kann im Feuer explodieren.
8. Achten Sie darauf, daß der Akku nicht fallengelassen, Erschütterungen oder Stößen ausgesetzt wird.
9. Laden Sie den Akku niemals in einem Karton oder einem geschlossenen Behälter. Der Akku darf nur an einem gut belüfteten Ort geladen werden.
2. Halten Sie das Werkzeug nur an den isolierten Griffflächen, wenn Sie Arbeiten ausführen, bei denen verborgene Kabel angebohrt werden können. Bei Kontakt mit einem stromführenden Kabel werden die freiliegenden Metallteile des Werkzeugs ebenfalls stromführend, so dass der Benutzer einen elektrischen Schlag erleiden kann.
3. Versuchen Sie niemals, Nägel, Schrauben o.ä. durchzuschneiden. Entfernen Sie solche Fremdkörper vor Arbeitsbeginn.
4. Schneiden Sie keine Rohre.
5. Schneiden Sie keine übergroßen Werkstücke.
6. Stellen Sie sicher, daß unter dem Werkstück genügend Spielraum ist und das Sägeblatt nicht die Werkbank bzw. den Fußboden berührt.
7. Halten Sie die Maschine sicher in der Hand.
8. Achten Sie stets darauf, daß Sägeblatt nicht das Werkstück berührt, bevor die Stichsäge eingeschaltet wird.
9. Halten Sie während des Betriebs die Hände von den sich bewegendenden Teilen der Maschine fern.
10. Die Maschine nicht im eingeschalteten Zustand aus der Hand legen. Die Benutzung ist nur in handgehaltener Weise vorgesehen.
11. Das Sägeblatt erst dann vom Werkstück entfernen, nachdem die Maschine abgeschaltet wurde und das Sägeblatt zum Stillstand gekommen ist.
12. Berühren Sie weder Sägeblatt noch Werkstück unmittelbar nach dem Schneiden; beide können sehr heiß sein und Verbrennungen verursachen.

Umweltschutz

Das Gerät ist mit einem Nickel-Cadmium-Akku ausgerüstet. Um eine umweltgerechte Entsorgung zu gewährleisten, bitten wir Sie, folgende Punkte zu beachten:

- Gemäß Europäischer Batterierichtlinie 91/157/EWG und nationaler Gesetzgebung (Batterieverordnung) muß der verbrauchte Akku bei einer öffentlichen Sammelstelle, bei Ihrem Makita Kundendienst oder Ihrem Fachhändler zum Recycling abgegeben werden.
- Werfen Sie den verbrauchten Akku nicht in den Hausmüll, ins Feuer oder ins Wasser.



(Nur für die Schweiz)

- Ihr Beitrag zum Umweltschutz: Bringen Sie bitte die gebrauchte Batterie an eine offizielle Sammelstelle zurück.

ZUSÄTZLICHE SICHERHEITSGESETZE FÜR DIE MASCHINE

1. Beachten Sie, daß diese Maschine stets betriebsbereit ist, da sie nicht erst an eine Netzsteckdose angeschlossen werden muß.

Laden (Abb. 2)

Der neue Akku muß vor der ersten Inbetriebnahme noch geladen werden. Verwenden Sie nur das Ladegerät zum Aufladen des Akkus.

Das Ladegerät an die Stromversorgung anschließen. Die Ladekontrollleuchte blinkt grün. Den Akku so einsetzen, daß die Plus- und Minusmarkierungen den Akkus mit den entsprechenden Markierungen auf dem Ladegerät übereinstimmen. Den Akku bis zum Anschlag in das Ladegerät schieben. Die Farbe der Kontrollleuchte wechselt von grün auf rot, und der Ladevorgang beginnt. Während des Ladevorgangs leuchtet die Ladekontrollleuchte stetig. Wenn die Farbe der Ladekontrolllampe von Rot nach Grün wechselt, ist der Ladevorgang beendet.

Wird der Akku nach Abschluß des Ladevorgangs im Ladegerät gelassen, schaltet das Ladegerät auf den Erhaltungslademodus um. Nach dem Laden das Ladegerät vom Akku und vom Netz trennen. Die Ladezeiten sind in der nachfolgenden Tabelle aufgeführt.

BEWAHREN SIE DIESE HINWEISE SORGFÄLTIG AUF.

BEDIENUNGSHINWEISE

Anbringen und Abnehmen des Akkus (Abb. 1)

- Schalten Sie die Maschine stets aus, bevor Sie den Akku anbringen oder abnehmen.
- Zum Abnehmen des Akkus ziehen Sie ihn aus der Maschine heraus, während Sie die Entrieglungsknöpfe auf beiden Seiten drücken.
- Zum Einsetzen des Akkus richten Sie die Führungsfeder des Akkus auf die Nut im Maschinengehäuse aus und schieben den Akku hinein. Schieben Sie den Akku stets vollständig ein, bis er mit einem hörbaren Klicken einrastet. Anderenfalls kann er aus der Maschine herausfallen und Sie oder umstehende Personen verletzen.
- Wenden Sie beim Einsetzen des Akkus keine Gewalt an. Falls der Akku nicht reibungslos hineingleitet, ist er nicht richtig ausgerichtet.

Akku	Leistung (Ah)	Anzahl der Zellen	Ladezeit
1222 (Ni-cd)	2,0	10	ca. 45 Min.
1234 (Ni-MH)	2,6	10	ca. 60 Min.
1235 (Ni-MH)	3,0	10	ca. 70 Min.
1422 (Ni-cd)	2,0	12	ca. 45 Min.
1434 (Ni-MH)	2,6	12	ca. 60 Min.
1435 (Ni-MH)	3,0	12	ca. 70 Min.

VORSICHT:

- Das Ladegerät ist ausschließlich zum Laden von Makita-Akkus vorgesehen. Verwenden Sie es auf keinen Fall für einen anderen Zweck oder zum Laden von Akkus anderer Fabrikate.
- Wenn der Akku noch neu ist oder über einen längeren Zeitraum nicht verwendet wurde, kann er seine volle Kapazität nicht entfalten. Durch mehrfaches Entladen und anschließendes Laden wird die volle Kapazität wieder erreicht.
- Wenn Sie versuchen, einen noch warmen Akku zu laden, leuchtet die Ladekontrollleuchte u. U. rot. In diesem Fall lassen Sie den Akku abkühlen. Danach den Akku erneut in das Ladegerät einsetzen.
- Wenn die Ladekontrollleuchte abwechselnd grün und rot blinkt, liegt eine Störung vor; der Akku kann nicht geladen werden. Die Kontakte des Ladegerätes bzw. des Akkus sind möglicherweise verschmutzt, oder der Akku ist beschädigt bzw. verbraucht.

Erhaltungsladung

Wird der Akku im Ladegerät gelassen, um Selbstentladung nach einer vollen Ladung zu vermeiden, schaltet das Ladegerät auf den Erhaltungslademodus um, so daß der Akku frisch und voll geladen bleibt.

Tips zur Erhaltung der maximalen Akkulebensdauer

1. Laden Sie den Akku, bevor er vollkommen entladen ist.
Schalten Sie stets die Maschine aus und laden Sie den Akku, wenn Sie ein Nachlassen der Maschineleistung bemerken.
2. Unterlassen Sie erneutes Laden eines voll geladenen Akkus.
Überladen verkürzt die Lebensdauer des Akkus.
3. Laden Sie den Akku bei Raumtemperatur (10°C bis 40°C).
Lassen Sie einen heißen Akku vor dem Laden abkühlen.
4. Der Nickel-Metallhydrid-Akku muss geladen werden, wenn er länger als sechs Monate nicht benutzt worden ist.

Montage/Demontage des Sägeblatts (Abb. 3 u. 4)

VORSICHT:

- Vergewissern Sie sich vor der Montage/Demontage des Sägeblatts immer, daß die Maschine ausgeschaltet und der Netzstecker gezogen ist.
- Säubern Sie Sägeblatt und/oder Sägeblatthalter stets von anhaftenden Spänen oder Fremdkörpern. Andernfalls besteht die Gefahr, daß das Sägeblatt nicht richtig sitzt, was zu schweren Verletzungen führen kann.
- Schmieren Sie Sägeblatt und Führungsrolle mit Schmiermittel oder Schneidöl, wenn Sie Eisen oder Pressspanplatten usw. schneiden. Nachlässigkeit in diesem Punkt führt zu einer Verkürzung der Lebensdauer von Sägeblatt und Führungsrolle oder kann potentiell gefährlichen Sägeblattbruch zur Folge haben.

Lösen Sie zur Montage des Sägeblatts die Innensechskantschraube am Sägeblatthalter. Führen Sie das Sägeblatt mit nach vorn zeigenden Zähnen bis zum Anschlag in den Sägeblatthalter ein. Achten Sie darauf, daß die Hinterkante des Sägeblatts in der Mitte der Führungsrolle sitzt. Ziehen Sie dann die Innensechskantschraube zur Befestigung des Sägeblatts an.

Zur Demontage des Sägeblatts wenden Sie das Montageverfahren in umgekehrter Reihenfolge an.

HINWEIS:

Die Führungsrolle von Zeit zu Zeit schmieren.

Montage eines Stichsägeblatts mit Universal-Aufnahme (Abb. 5 und 6)

VORSICHT:

Vergewissern Sie sich vor der Montage bzw. Demontage des Sägeblatts stets, dass das Werkzeug ausgeschaltet und der Akku abgenommen ist.

Soll ein Sägeblatt mit Universal-Aufnahme montiert werden, können Sägeblätter anderer Marken verwendet werden, die eine Universal-Aufnahme wie die in der Abbildung gezeigte und eine Breite von 6,35 mm aufweisen. Führen Sie das Sägeblatt bis zum Anschlag in den Klemmschuh ein. Vergewissern Sie sich, dass das Ende des Sägeblattschafts am Anschlag des Innenschlitzes aufsitzt, und ziehen Sie die Schraube mit dem Inbuschlüssel fest an.

Wahl der Schnittbewegung (Abb. 7)

Diese Maschine kann mit Pendelhub oder Linearhub (gerade Auf-Ab-Bewegung) betrieben werden. Bei Pendelhub wird das Sägeblatt im Schnitthub vorwärts geschoben, wodurch erheblich höhere Schnittgeschwindigkeiten möglich sind.

Zum Umschalten der Schnittbewegung drehen Sie einfach den Umschalthebel auf die Position der gewünschten Schnittbewegung. Wählen Sie die Schnittbewegung anhand der nachstehenden Tabelle aus.

Position	Schnittbewegung	Anwendungen
O	Geradlinige Schnittbewegung	Zum Schneiden von Weichstahl, Edelstahl und Kunststoff. Für saubere Schnitte in Holz und Sperrholz.
I	Kleiner Pendelhub	Zum Schneiden von Weichstahl, Aluminium und Hartholz.
II	Mittlerer Pendelhub	Zum Schneiden von Holz und Sperrholz. Für schnelles Schneiden von Aluminium und Weichstahl.
III	Großer Pendelhub	Für schnelles Schneiden von Holz und Sperrholz.

Schalterbedienung (Abb. 8)

VORSICHT:

Vergewissern Sie sich vor dem Einsetzen des Akkus in das Werkzeug stets, dass der Ein-Aus-Schalter ordnungsgemäß funktioniert und beim Loslassen in die AUS-Stellung zurückkehrt. Starkes Drücken des Ein-Aus-Schalters ohne Betätigung des Einschaltsperrknopfes führt zu einer Beschädigung des Schalters.

Um versehentliche Betätigung des Ein-Aus-Schalters zu verhüten, ist die Maschine mit einer Einschaltsperrung ausgestattet. Zum Starten des Werkzeugs den Ein-Aus-Schalter bei gedrücktem Einschaltsperrknopf betätigen. Zum Anhalten den Ein-Aus-Schalter loslassen.

Hubzahl-Stellrad (Abb. 8)

Die Hubzahl kann durch Drehen des Hubzahl-Stellrads zwischen 500 und 2800 (Modell 4331D), 500 und 2600 (Modell 4333D) Hübten pro Minute eingestellt werden. Auf dem Hubzahl-Stellrad sind die Positionen 1 (niedrigste Hubzahl) bis 5 (höchste Hubzahl) markiert. Hinweise auf die richtige, werkstoffgerechte Hubzahl entnehmen Sie der nachstehenden Tabelle. Die geeignete Hubzahl kann jedoch je nach Art und Dicke des Werkstücks unterschiedlich sein. Höhere Hubzahlen ermöglichen im allgemeinen schnelleres Sägen von Werkstücken, bewirken aber auch eine Verkürzung der Lebensdauer des Sägeblatts.

Werkstoff	Hubzahl-Einstellung
Holz	3–5
Weichstahl	3–5
Edelstahl	3–4
Aluminium	2–3
Kunststoff	1–4

VORSICHT:

Das Hubzahl-Stellrad läßt sich nur bis zur Position 5 vor- und bis zur Position 1 zurückdrehen. Drehen Sie es nicht gewaltsam über die Position 5 oder 1 hinaus, weil sonst eine genaue Einstellung der Hubzahl nicht mehr möglich ist.

Betrieb (Abb. 9)

VORSICHT:

- Prüfen Sie sorgfältig nach, dass das Sägeblatt einwandfrei befestigt ist, bevor Sie den Akku in das Werkzeug einsetzen.
- Halten Sie die Grundplatte stets flach gegen das Werkstück. Andernfalls kann es zu einem Sägeblattbruch kommen, der ernsthafte Verletzungen zur Folge haben kann.

Schalten Sie das Werkzeug ein und warten Sie, bis das Sägeblatt seine volle Hubzahl erreicht. Setzen Sie dann die Grundplatte flach auf das Werkstück, und schieben Sie das Werkzeug entlang der vorher markierten Schnittlinie sachte vorwärts. Bei Kurvenschnitten ist der Vorschub entsprechend zu verringern.

Gehrungsschnitte (Abb. 10 u. 11)

VORSICHT:

Nehmen Sie stets den Akku vom Werkzeug ab, bevor Sie irgendwelche Einstellungen ausführen.

Durch Neigen der Grundplatte können Gehrungsschnitte in jedem Winkel zwischen 0° und 45° (links oder rechts) ausgeführt werden.

Lösen Sie die Schraube an der Rückseite der Grundplatte mit dem Inbusschlüssel. Verschieben sie die Grundplatte so, dass sich die Schraube in der Mitte des Kreuzschlitzes befindet. Neigen Sie die Grundplatte, bis der gewünschte Winkel erreicht ist. Der Gehrungswinkel kann an der Skala an der Kante des Motorgehäuses abgelesen werden. Überprüfen Sie den Kontakt zwischen der Hinterkante des Sägeblatts und der Führungsrolle, und ziehen Sie anschließend die Schraube zur Sicherung der Grundplatte wieder an.

Randnahe Schnitte (Abb. 12)

Lösen Sie die Schraube an der Rückseite der Grundplatte mit dem Inbusschlüssel, und schieben Sie dann die Grundplatte ganz zurück. Ziehen Sie anschließend die Schraube zur Sicherung der Grundplatte wieder an.

Ausschnitte (Abb. 13 u. 14)

Es gibt zwei Möglichkeiten, Ausschnitte durchzuführen.

- A) Vorbohrung: Bei Innenausschnitten ohne Zuführschnitt vom Rand bohren Sie eine Vorbohrung von mindestens 12 mm Durchmesser. Das Sägeblatt in diese Bohrung einführen und mit dem Sägen beginnen.
- B) Tauchschnitte: Um Schnitte ohne Vorbohrung oder Zuführschnitt auszuführen, gehen Sie wie folgt vor.
 1. Das Werkzeug auf der Vorderkante der Grundplatte kippen, so dass die Sägeblattspitze dicht über der Oberfläche des Werkstücks liegt.
 2. Druck auf das Werkzeug ausüben, damit die Vorderkante der Grundplatte nicht verrutscht, wenn das Werkzeug eingeschaltet und das hintere Ende langsam abgesenkt wird.
 3. Sobald das Sägeblatt in das Werkstück eindringt, die Grundplatte langsam auf die Oberfläche des Werkstücks absenken.
 4. Den Schnitt in gewohnter Weise beenden.

Kantenbearbeitung (Abb. 15)

Um Kanten nachzuarbeiten oder Maßkorrekturen vorzunehmen, führen Sie das Sägeblatt leicht an den Schnittkanten entlang.

Schneiden von Metall

Verwenden Sie beim Schneiden von Metall stets ein geeignetes Kühlmittel (Schneidöl). Nichtbeachtung verursacht erheblichen Verschleiß des Sägeblatts. Anstatt Kühlmittel zu verwenden, kann auch die Unterseite des Werkstücks eingefettet werden.

Spanreißschutz (Abb. 16)

Um die Gefahr von Spaltung der Werkstückoberfläche zu reduzieren, kann der Spanreißschutz verwendet werden. Er wird von unten in die Grundplatte eingesetzt, so dass er die Seiten des Sägeblatts umgibt.

Kunststoff-Einlegeplatte (Sonderzubehör) (Abb. 17)

Verwenden Sie die Kunststoff-Einlegeplatte zum Schneiden von dekorativen Furnieren, Kunststoffen usw. Sie schützt empfindliche Oberflächen vor Beschädigung. Drehen Sie zum Auswechseln der Platte die vier Schrauben mit dem Inbusschlüssel heraus.

Parallelanschlag (Sonderzubehör) (Abb. 18)

Bei wiederholtem Schneiden von Breiten unter 150 mm gewährleistet der Parallelanschlag (Führungslinial) schnelle, saubere und gerade Schnitte. Zur Montage lösen Sie die Schraube an der Vorderseite der Grundplatte. Den Parallelanschlag einschieben und die Schraube wieder anziehen.

Kreisschneider (Sonderzubehör) (Abb. 19)

Der Kreisschneider gewährleistet sauberes und problemloses Schneiden von Kreisen (Radius: unter 200 mm). Den Dorn in die mittlere Bohrung einführen und mit dem Gewindeknopf sichern. Die Grundplatte der Maschine ganz nach vorn schieben. Dann den Kreisschneider auf die gleiche Weise wie den Parallelanschlag (Führungslinial) an der Grundplatte montieren.

Staubabsaugung (Abb. 20, 21 u. 22)

Der Absaugkopf wird für sauberen Schnittbetrieb empfohlen. Den Spanflugschutz in die Aussparungen der Maschine einsetzen. Zur Befestigung des Absaugkopfes an der Maschine die Nase in die Öffnung der Grundplatte einführen. Der Absaugkopf kann sowohl auf der linken als auch der rechten Seite der Grundplatte angebracht werden. Schließen Sie dann einen Makita-Staubsauger an den Absaugkopf an.

WARTUNG

VORSICHT:

Vor Arbeiten am Gerät vergewissern Sie sich, daß sich der Schalter in der "OFF"- Position befindet und der Akku aus dem Gerät entfernt ist.

Kohlebürsten wechseln (Abb. 23 u. 24)

Kohlebürsten ersetzen, wenn sie bis auf die Verschleißgrenze abgenutzt sind. Beide Kohlebürsten nur paarweise ersetzen.

Um die Sicherheit und Zuverlässigkeit dieses Gerätes zu gewährleisten, sollten Reparatur-, Wartungs-, und Einstellarbeiten nur von Makita autorisierten Werkstätten oder Kundendienstzentren unter ausschließlicher Verwendung von Makita-Originalersatzteilen ausgeführt werden.

ZUBEHÖR

VORSICHT:

- Die folgenden Zubehörteile oder Vorrichtungen werden für den Einsatz mit der in dieser Anleitung beschriebenen Makita-Maschine empfohlen. Die Verwendung anderer Zubehörteile oder Vorrichtungen kann eine Verletzungsgefahr darstellen. Verwenden Sie Zubehörteile oder Vorrichtungen nur für ihren vorgesehenen Zweck.

Wenn Sie weitere Einzelheiten bezüglich dieser Zubehörteile benötigen, wenden Sie sich bitte an Ihre Makita-Kundendienststelle.

- Kunststoff-Einlegeplatte
- Inbusschlüssel 3
- Kreisschneider-Baugruppe
- Spanreißschutz
- Spanflugschutz
- Schlauch 19 – 2,5
- Stichsägeblatt
- Verschiedene Original-Makita-Akkus und -Ladegeräte
- Parallelanschlag (Führungslinial)
- Absaugkopf

Visione generale

1	Bottone	12	Ghiera di regolazione velocità	23	Piastra di plastica base
2	Cartuccia batteria	13	Bottone di sblocco	24	Righello guida
3	Spia di carica	14	Interruttore	25	Manopola filettata
4	Caricabatteria	15	Base	26	Guida circolare
5	Per allentare	16	Linea di taglio	27	Perno
6	Chiave esagonale	17	Bullone	28	Inserire nelle tacche
7	Bullone	18	Fessura a croce	29	Coperchio di plastica
8	Lama seghetto alternativo	19	Bordo alloggiamento motore	30	Ugello
9	Rullo	20	Graduazioni	31	Segno limite
10	La fine del codolo della lama deve raggiungere il fondo della fenditura interna.	21	Foro di guida	32	Cavviavite
11	Leva	22	Dispositivo anti-frammentazione	33	Tappo portaspazzole

DATI TECNICI

Modello	4331D	4333D
Lunghezza corsa	26 mm	26 mm
Capacità massima di taglio		
Legno	65 mm	65 mm
Acciaio dolce	10 mm	10 mm
Alluminio	20 mm	20 mm
Corse al minuto	500 – 2.800	500 – 2.600
Lunghezza totale	280 mm	280 mm
Peso netto	2,6 kg	2,9 kg
Tensione nominale	C.c. 12 V	C.c. 14,4 V

- Per il nostro programma di ricerca e sviluppo continui, i dati tecnici sono soggetti a modifiche senza preavviso.
- Nota: I dati tecnici potrebbero differire a seconda del paese di destinazione del modello.

Consigli per la sicurezza

Per la vostra sicurezza, riferitevi alle accluse istruzioni per la sicurezza.

IMPORTANTI ISTRUZIONI DI SICUREZZA PER IL CARICATORE E PER LA CARTUCCIA BATTERIA

1. **CONSERVARE QUESTE ISTRUZIONI** — Questo manuale contiene istruzioni importanti per l'uso e la sicurezza del caricabatteria.
2. Prima di usare il caricabatteria, leggere tutte le istruzioni e le precauzioni che si trovano (1) sul caricabatteria, (2) sulla batteria e (3) sul prodotto che usa la batteria.
3. **ATTENZIONE** — Per ridurre il rischio di ferirsi, caricare soltanto il tipo di batterie MAKITA ricaricabili. Gli altri tipi di batterie potrebbero scoppiare causando ferite o danni.
4. Non esporre il caricatore alla pioggia o alla neve.
5. L'uso di un accessorio non raccomandato o non venduto dal costruttore del caricatore potrebbe causare un pericolo d'incendio, di scosse elettriche o di ferite alle persone.
6. Per ridurre il rischio di danneggiare il cavo elettrico o la spina, tirare la spina invece del cavo per staccarlo dalla presa di corrente.
7. Accertarsi che il cavo non si trovi dove potrebbe venire calpestato, fare inciampare od essere altrimenti soggetto a danni o sollecitazioni.

8. **Evitare di usare il caricatore se ha il cavo o la spina danneggiati. Sostituirli immediatamente.**
9. **Evitare di usare il caricatore se ha ricevuto un forte colpo, se è caduto o se è in qualche modo danneggiato. Farlo riparare da un tecnico qualificato.**
10. **Non smontare il caricatore o la cartuccia batteria. Se sono necessarie riparazioni, farli riparare da un tecnico qualificato. Se vengono montati in modo sbagliato, c'è pericolo di scosse elettriche o d'incendio.**
11. Per ridurre il rischio di scosse elettriche, staccare il caricatore dalla presa di corrente prima di eseguire un qualsiasi intervento di manutenzione o pulizia. Tale rischio non viene ridotto spegnendo soltanto il caricatore.
12. Il caricabatteria non deve essere usato dai bambini o dagli infermi senza supervisione.
13. I bambini devono essere sorvegliati perché non giochino con il caricabatteria.

REGOLE ADDIZIONALI DI SICUREZZA PER IL CARICATORE E PER LA CARTUCCIA BATTERIA

1. Non caricare la cartuccia batteria quando la temperatura è **SOTTO** i 10°C o **SOPRA** i 40°C.
2. Non cercare di usare un trasformatore survolto, un generatore per motori o una presa di corrente continua.
3. Fare attenzione che le aperture di ventilazione non vengano coperte o si intasino.
4. Coprire sempre i terminali della batteria con il coperchio della batteria quando non si intende usare la cartuccia batteria.

5. **Non cortocircuitare la cartuccia batteria:**
 - (1) Non toccare i terminali con un materiale conduttivo.
 - (2) Evitare di conservare la cartuccia batteria in un contenitore insieme con altri oggetti metallici, come chiodi, monete, ecc.
 - (3) Non esporre la cartuccia batteria all'acqua o alla pioggia.
Un cortocircuito della batteria potrebbe causare un grande flusso di corrente, surriscaldamento, possibili bruciature ed anche guasti.
6. **Non conservare l'utensile e la cartuccia batteria dove la temperatura potrebbe raggiungere o superare i 50°C.**
7. **Non incinerare la cartuccia batteria, anche se è seriamente danneggiata o completamente consumata. La cartuccia batteria potrebbe esplodere nel fuoco.**
8. **Fare attenzione a non lasciar cadere, urtare o colpire la batteria.**
9. **Non caricare la batteria dentro una scatola o un qualsiasi altro tipo di contenitore. Durante la carica, la batteria deve trovarsi in un posto ben ventilato.**
3. **Evitare di tagliare chiodi. Prima di cominciare la lavorazione ispezionare il pezzo ed estrarre tutti i chiodi che si trovano.**
4. **Non tagliare tubi vuoti.**
5. **Non tagliare pezzi che superano la portata dell'utensile.**
6. **Prima di iniziare la lavorazione controllare sotto il pezzo in modo che la lama non vada a sbattere contro il pavimento, banco di lavoro, etc.**
7. **Tenere l'utensile ben saldo.**
8. **Assicurarsi che la lama non è a contatto con il pezzo da lavorare prima di mettere in moto l'utensile.**
9. **Tenere le mani lontano da parti in movimento.**
10. **Non lasciare l'utensile in moto a vuoto. Mettere in moto solamente quando si tiene l'utensile bene stretto in mano.**
11. **Prima di ritirare la lama dal pezzo in lavorazione staccare la corrente ed aspettare che la lama si fermi completamente.**
12. **Non toccare la lama o il pezzo in lavorazione subito dopo l'operazione; potrebbero essere estremamente caldi e causare ustioni sulla pelle.**

CONSERVATE QUESTE ISTRUZIONI.

(Per la Svizzera soltanto) Protezione dell'ambiente

La Vostra contribuzione per la protezione dell'ambiente: Porta la batteria al collettivo ufficiale.



REGOLE ADDIZIONALI DI SICUREZZA PER L'UTENSILE

1. **Tenere a mente che questo utensile è sempre in condizioni operative, in quanto non è necessario collegarlo ad una presa di corrente.**
2. **Tenere l'utensile per le superfici isolate quando si esegue una operazione in cui lo strumento di taglio potrebbe venire a contatto con fili elettrici nascosti. Il contatto con un filo "sotto tensione" mette "sotto tensione" anche le parti metalliche esposte dell'utensile, dando una scossa all'operatore.**

Carica (Fig. 2)

La cartuccia batteria nuova non è carica. Prima di usarla bisogna caricarla. Per caricare la cartuccia batteria, usare la carica batteria.

Collegare la carica batteria ad una presa di corrente alternata. La spia di carica lampeggerà in verde. Inserire completamente la cartuccia batteria nel suo alloggiamento, in modo che si trovi sul piano dell'alloggiamento di carica. Quando si inserisce la cartuccia batteria, la spia di carica cambia da verde a rossa e la carica comincia. Durante la carica, la spia di carica rimane accesa. La carica è completa quando il colore della spia cambia da rosso a verde. Se si lascia la cartuccia batteria nella carica dopo il completamento del ciclo di carica, la carica si dispone nel modo di "carica centellinare (carica di manutenzione)". Dopo la carica, staccare la carica dalla presa di corrente. Per il tempo di carica, riferirsi alla tabella sotto.

Tipo di batteria	Capacità (Ah)	Numero di celle	Tempo di carica
1222 (Ni-cd)	2,0	10	45 minuti circa
1234 (Ni-MH)	2,6	10	60 minuti circa
1235 (Ni-MH)	3,0	10	70 minuti circa
1422 (Ni-cd)	2,0	12	45 minuti circa
1434 (Ni-MH)	2,6	12	60 minuti circa
1435 (Ni-MH)	3,0	12	70 minuti circa

ATTENZIONE:

- La carica batteria serve a caricare la cartuccia batteria Makita. Mai usarlo per altri scopi o per caricare le batterie di altri fabbricanti.
- Quando si carica una nuova cartuccia batteria o una cartuccia batteria che non è stata usata per un lungo periodo di tempo, essa potrebbe non accettare una carica completa. Questa è una condizione normale e non indica un problema. La cartuccia batteria può essere ricaricata completamente dopo che è stata scaricata e ricaricata completamente un paio di volte.
- Se si carica la cartuccia batteria subito dopo aver usato l'utensile, oppure una cartuccia batteria che sia rimasta esposta alla luce diretta del sole per un lungo periodo di tempo, la spia di carica potrebbe lampeggiare in rosso. In tal caso, aspettare qualche tempo. La carica comincia dopo che la cartuccia batteria si è raffreddata. La cartuccia batteria si raffredda più velocemente se la si rimuove dalla carica batteria.
- Se la spia di carica lampeggia alternativamente in verde e in rosso, vuol dire che c'è un problema e la carica non è possibile. Probabilmente, i terminali della carica o della cartuccia batteria sono intasati di polvere, oppure la cartuccia batteria è usurata o danneggiata.

Carica centellinare (carica di manutenzione)

Se si lasciano la cartuccia batteria nella carica per evitare che si scarichino da sole dopo una carica completa, la carica si dispone nel modo di "carica centellinare (carica di manutenzione)" e mantiene la cartuccia batteria completamente cariche.

Suggerimenti per prolungare al massimo la vita della cartuccia batteria

1. Caricare la cartuccia batteria prima che si scarichi completamente.
Smettere sempre di usare l'utensile e caricare la cartuccia batteria quando si nota una diminuzione di potenza dell'utensile.
2. Non si deve mai caricare una cartuccia batteria completamente carica.
La carica eccessiva riduce la vita di servizio della cartuccia batteria.
3. Caricare la cartuccia batteria ad una temperatura ambiente compresa tra i 10°C e i 40°C.
Aspettare che una cartuccia batteria calda si raffreddi prima di caricarla.
4. Caricare la batteria ibrida al nichel-metallo se non la si usa per più di sei mesi.

Installazione e rimozione della lama (Fig. 3 e 4)

ATTENZIONE:

- Accertarsi sempre che l'utensile sia spento e staccato dalla presa di corrente prima di installare o di rimuovere la lama.
- Togliere sempre i trucioli e le sostanze estranee attaccate alla lama e/o portalama. Questa inosservanza potrebbe causare un serraggio insufficiente della lama con pericolo di ferite gravi.
- Usare un lubrificante od olio da taglio tra la lama e il rullo per tagliare l'acciaio o il compensato, ecc. In caso contrario, si potrebbe ridurre la vita di servizio della lama e del rullo, oppure causare una rottura della lama potenzialmente pericolosa.

Per installare la lama, allentare il bullone sul portalama con la chiave esagonale. Con i denti della lama rivolti in avanti, inserire la lama nel portalama finché non può andare più oltre. Accertarsi che il bordo posteriore della lama entri nel rullino. Stringere poi il bullone per fissare la lama.

Per togliere la lama, usare il procedimento opposto di installazione.

NOTA:

Lubrificare ogni tanto il rullino.

Installazione della lama con codolo universale (Fig. 5 e 6)

ATTENZIONE:

Accertarsi sempre che l'utensile sia spento e staccato dalla presa di corrente prima di installare o di rimuovere la lama.

Usando il fermo della lama universale, si possono usare lame di altre marche con un codolo universale, come quelle mostrate nella illustrazione, con una larghezza della lama di 6,35 mm. Inserire la lama nel portalama finché non può andare oltre. Accertarsi che la fine del codolo della lama raggiunga il fondo della fenditura interna, e stringere saldamente il bullone con la chiave esagonale.

Selezione del modo di taglio (Fig. 7)

Questo utensile può essere fatto funzionare nel modo di taglio orbitale o in linea retta (su e giù). Il modo di taglio orbitale spinge la lama in avanti nella corsa di taglio e aumenta grandemente la velocità di taglio.

Per cambiare il modo di taglio, girare semplicemente la leva sulla posizione di taglio desiderata. Per selezionare il modo di taglio, riferirsi alla tabella sotto.

Posizione	Modo di taglio	Applicazioni
O	Linea retta	Per tagliare l'acciaio dolce, l'acciaio inossidabile e la plastica. Per il taglio pulito del legno e del compensato.
I	Orbita piccola	Per tagliare l'acciaio dolce, l'alluminio e il legno duro.
II	Orbita media	Per tagliare il legno e il compensato. Per tagliare velocemente l'alluminio e l'acciaio dolce
III	Orbita grande	Per tagliare velocemente il legno e il compensato.

Funzionamento dell'interruttore (Fig. 8)

ATTENZIONE:

Prima di inserire la cartuccia batteria nell'utensile, controllare sempre che l'interruttore funzioni correttamente e che torni sulla posizione "OFF" quando viene rilasciato. Se si schiaccia con forza l'interruttore senza aver premuto il bottone di sblocco si può danneggiare l'interruttore.

L'utensile è dotato di un bottone di sblocco, per evitare di schiacciare accidentalmente l'interruttore. Per avviare l'utensile, premere il bottone di sblocco e schiacciare poi l'interruttore. Rilasciare l'interruttore per fermarlo.

Ghiera di regolazione velocità (Fig. 8)

La velocità dell'utensile può essere regolata liberamente tra i 500 e i 2.800 (Modello 4331D), i 500 e i 2.600 (Modello 4333D) giri al minuto girando la ghiera di regolazione. Le velocità più alte si ottengono girando la ghiera nella direzione del numero 1. Per selezionare la velocità corretta per il pezzo da tagliare, riferirsi alla tabella sotto. La velocità appropriata potrebbe però differire secondo il tipo e lo spessore del pezzo da lavorare. Generalmente, le velocità più alte consentono di tagliare i pezzi da lavorare più velocemente, ma in questo modo la vita di servizio della lama si riduce.

Pezzo da tagliare	Numero sulla ghiera di regolazione
Legno	3-5
Acciaio dolce	3-5
Acciaio inossidabile	3-4
Alluminio	2-3
Plastica	1-4

ATTENZIONE:

La ghiera di regolazione della velocità può essere girata in avanti soltanto fino a 5 e indietro fino a 1. Non forzarla oltre 5 o 1, perché altrimenti potrebbe diventare inutilizzabile.

Funzionamento (Fig. 9)

ATTENZIONE:

- Controllare con cura che la lama sia fissata saldamente in posizione prima di inserire la cartuccia batteria nell'utensile.
- Tenere sempre la base a paro con il pezzo. In caso contrario, la lama potrebbe spezzarsi causando ferite gravi.

Accendere l'utensile e aspettare che la lama abbia raggiunto la massima velocità. Appoggiare poi la base completamente al pezzo e spostare delicatamente l'utensile in avanti lungo la linea di taglio previamente segnata. Per tagliare delle curve, fare avanzare lentamente l'utensile.

Taglio a unghia (Fig. 10 e 11)

ATTENZIONE:

Rimuovere sempre la cartuccia batteria dall'utensile prima di fare una qualsiasi regolazione.

Con la base inclinata si possono fare tagli a unghia a qualsiasi angolo da 0° a 45° (destra o sinistra).

Allentare con la chiave esagonale il bullone sulla parte posteriore della base. Spostare la base in modo che il bullone sia posizionato al centro della fessura a croce nella base. Inclinare la base fino a ottenere l'angolo di taglio a unghia desiderato. Il bordo dell'alloggiamento del motore indica con graduazioni l'angolo di taglio a unghia. Controllare il contatto tra il bordo posteriore della lama e il rullo, e stringere poi il bullone per fissare la base.

Tagli a raso anteriori (Fig. 12)

Allentare con la chiave esagonale il bullone sulla parte posteriore della base e spostare completamente indietro la base. Stringere poi il bullone per fissare la base.

Intagli (Fig. 13 e 14)

Gli intagli possono essere fatti con i due metodi A e B.

- A) Trapanare un foro di guida: Per gli intagli interni senza un taglio di guida dal bordo, trapanare prima un foro di guida di oltre 12 mm di diametro. Inserire la lama nel foro e cominciare a tagliare.
- B) Taglio inclinato: Se si procede con cura come segue, non è necessario trapanare un foro di guida o fare un taglio di guida.
 1. Inclinare l'utensile sul bordo anteriore della base, con la punta della lama posizionata subito sopra la superficie del pezzo.
 2. Esercitare una pressione sull'utensile in modo che il bordo anteriore della base non si muova quando lo si accende, e abbassare delicatamente e lentamente la parte posteriore dell'utensile.
 3. Con la lama che fora il pezzo, abbassare lentamente la base dell'utensile sulla superficie del pezzo.
 4. Completare il taglio nel modo normale.

Finitura dei bordi (Fig. 15)

Per rifilare i bordi o fare regolazioni dimensionali, passare leggermente la lama lungo i bordi del taglio.

Taglio dei metalli

Per tagliare i metalli, usare sempre un refrigerante (olio da taglio). In caso contrario, si causa una notevole usura della lama. Invece di usare un refrigerante, si può ingrassare il lato opposto del pezzo.

Dispositivo anti-frammentazione (Fig. 16)

Il dispositivo anti-frammentazione può essere usato per evitare la frammentazione potenziale del pezzo. Montarlo sulla base da sotto, in modo che circonda i lati della lama.

Piastra di plastica base (accessorio opzionale) (Fig. 17)

Usare la piastra di plastica della base per tagliare impiallaccature decorative, plastica, ecc. Essa protegge dai danni le superfici delicate. Per sostituire la piastra della base, togliere le quattro viti con la chiave esagonale.

Guida pezzo (accessorio opzionale) (Fig. 18)

Per tagliare ripetutamente larghezze inferiori ai 150 mm, usate la guida pezzo (righello di guida), che assicura tagli veloci, netti e diritti. Per installarla, allentate il bullone sulla parte anteriore della base. Infilate la guida pezzo e stringete il bullone.

Guida circolare (accessorio opzionale) (Fig. 19)

L'utilizzo della guida circolare assicura il taglio netto e scorrevole dei cerchi (raggio: inferiore ai 200 mm). Inserite il perno nel foro centrale e fissatelo con la manopola filettata. Spostate completamente in avanti la base dell'utensile. Installate poi la guida circolare sulla base allo stesso modo della guida pezzo (righello di guida).

Eliminazione della polvere (Fig. 20, 21 e 22)

Per delle operazioni di taglio pulite, si raccomanda di usare la testa aspirapolvere. Installate il coperchio di plastica sull'utensile inserendolo nelle tacche dell'utensile. Per attaccare la testa aspirapolvere all'utensile, inserite il gancio della testa nel foro della base. La testa aspirapolvere può essere installata sul lato destro o sinistro della base. Collegate poi un aspiratore Makita alla testa aspirapolvere.

MANUTENZIONE

ATTENZIONE:

Prima di effettuare ogni tipo di lavoro sull'utensile, assicuratevi sempre che essa sia spenta e che la batteria sia rimossa.

Sostituzione delle spazzole di carbone (Fig. 23 e 24)

Sostituire le spazzole di carbone quando sono usurate fino alla linea di delimitazione. Sostituire entrambe le spazzole con tipi di spazzole identici.

Per mantenere la sicurezza e l'affidabilità del prodotto, le riparazioni, la manutenzione o le regolazioni dovrebbero essere eseguite da un centro di assistenza Makita autorizzato.

ACCESSORI

ATTENZIONE:

Questi accessori o attrezzi sono consigliati per l'uso con l'utensile Makita specificato in questo manuale. L'impiego di altri accessori o attrezzi può costituire un rischio di lesioni alle persone. Usare gli accessori soltanto per il loro scopo prefissato.

Per ottenere maggiori dettagli su questi accessori, rivolgersi a un Centro Assistenza Makita autorizzato.

- Piastra base in plastica
- Chiave esagonale 3
- Gruppo guida circolare
- Dispositivo antiframmenti
- Coperchio di plastica
- Manicotto 19 - 2,5
- Lama seghetto alternativo
- Vari tipi di batterie e caricatori genuini Makita
- Guida pezzo (righello di guida)
- Testa aspirapolvere

Verklaring van algemene gegevens

1	Knop	11	Hendel	23	Plastic voetplaat
2	Accu	12	Snelheidsregelknop	24	Breedtegeleider
3	Oplaadlampje	13	Ontgrendelknop	25	Schroefknop
4	Acculader	14	Trekschakelaar	26	Cirkelgeleider
5	Losdraaien	15	Gereedschapsvoet	27	Pin
6	Inbussleutel	16	Zaaglijn	28	Schuif in de inkepingen.
7	Bout	17	Bout	29	Plastic kap
8	Figuurzaagblad	18	Kruisvormige sleuf	30	Mondstuk
9	Rol	19	Rand van motorhuis	31	Limietstreep
10	Het uiteinde van de zaagblad- schacht moet de bodem van de binnenste sleuf raken	20	Schaalverdelingen	32	Schroevendraaier
		21	Startgaatje	33	Borstelhouderop
		22	Antisplinterinrichting		

TECHNISCHE GEGEVENS

Model	4331D	4333D
Slaglengte	26 mm	26 mm
Max. zaagcapaciteiten		
Hout	65 mm	65 mm
Zacht staal	10 mm	10 mm
Aluminium	20 mm	20 mm
Slagen per minuut	500 – 2 800	500 – 2 600
Totale lengte	280 mm	280 mm
Netto gewicht	2,6 kg	2,9 kg
Nominale spanning	D.C. 12 V	D.C. 14,4 V

- In verband met ononderbroken research en ontwikkeling behouden wij ons het recht voor bovenstaande technische gegevens te wijzigen zonder voorafgaande kennisgeving.
- Opmerking: De technische gegevens kunnen van land tot land verschillen.

Veiligheidswenken

Voor uw veiligheid dient u de bijgevoegde Veiligheidsvoorschriften nauwkeurig op te volgen.

BELANGRIJKE

VEILIGHEIDSVOORSCHRIFTEN

VOOR ACCULADER EN ACCU

1. **BEWAAR DEZE VOORSCHRIFTEN** — Deze gebruiksaanwijzing bevat belangrijke veiligheids- en bedieningsvoorschriften betreffende de acculader.
2. Lees alle voorschriften en waarschuwingen die zijn aangebracht op (1) de acculader, (2) de accu en (3) het product waarvoor de accu wordt gebruikt, aandachtig door alvorens de acculader in gebruik te nemen.
3. **LET OP**—Om gevaar voor verwonding te voorkomen, dient u met de acculader uitsluitend MAKITA oplaadbare accu's te laden. Accu's van andere merken kunnen gaan barsten en verwondingen of schade veroorzaken.
4. Stel de acculader niet bloot aan regen of sneeuw.
5. Het gebruik van een accessoire dat door de fabrikant van de acculader niet wordt aanbevolen of verkocht, kan brandgevaar, elektrische schok of verwondingen veroorzaken.
6. Om beschadiging van het netsnoer en de stekker te voorkomen, dient u de stekker vast te pakken om het netsnoer uit het stopcontact te halen.

7. **Zorg ervoor dat het netsnoer zodanig is geplaatst, dat niemand erop kan stappen of erover kan struikelen, en dat het niet aan beschadiging of druk is blootgesteld.**
8. **Gebruik de acculader niet met een beschadigd netsnoer of een beschadigde stekker — vervang deze onmiddellijk.**
9. **Gebruik de acculader niet indien deze een sterke schok heeft ondergaan, op de grond is gevallen, of een andere vorm van beschadiging heeft opgelopen; breng deze naar een bevoegde monteur.**
10. **Haal de acculader of de accu niet uit elkaar; breng deze naar een bevoegde monteur wanneer onderhoud of reparatie nodig is. Onjuist opnieuw ineenzetten kan namelijk een elektrische schok of brandgevaar opleveren.**
11. **Om gevaar voor een elektrische schok te voorkomen, trekt u de stekker van de acculader uit het stopcontact alvorens met onderhoud of reinigen te beginnen. Het gevaar voor een elektrische schok wordt niet voorkomen door de acculader alleen maar uit te schakelen.**
12. **De acculader is niet bedoeld voor gebruik door kleine kinderen of geestelijk gestoorden waarop geen toezicht wordt gehouden.**
13. **Houd toezicht op kleine kinderen om te voorkomen dat ze met de acculader spelen.**

AANVULLENDE

VEILIGHEIDSVOORSCHRIFTEN

VOOR ACCULADER EN ACCU

1. Laad de accu niet op bij een temperatuur BENE-DEN 10°C of BOVEN 40°C.
2. Gebruik voor het opladen nooit een verhogingstransformator, een dynamo of een gelijkstroombron.

3. Zorg ervoor dat de ventilatiegaten van de acculader niet afgesloten worden of verstopt raken.
4. Bedek de accuklemmen altijd met de accupak wanneer u de accu niet gebruikt.
5. Voorkom kortsluiting van de accu:
 - (1) Raak de accuklemmen nooit aan met een geleidend materiaal.
 - (2) Bewaar de accu niet in een bak waarin ook andere metalen voorwerpen zoals spijkers, munten e.d. worden bewaard.
 - (3) Stel de accu niet bloot aan water of regen. Kortsluiting van de accu kan oorzaak zijn van een grote stroomafgifte, oververhitting, brandwonden en zelfs defecten.
6. Bewaar het gereedschap en de accu niet op plaatsen waar de temperatuur kan oplopen tot 50°C of hoger.
7. Werp de accu nooit in het vuur, zelfs niet wanneer deze zwaar beschadigd of volledig versleten is. De accu kan namelijk ontploffen in het vuur.
8. Wees voorzichtig dat u de accu niet laat vallen en hem niet aan schokken of stoten blootstelt.
9. Laad de accu niet op in een bak of container. Laad hem uitsluitend op in een goed geventileerde ruimte.
3. Zorg ervoor dat tijdens het zagen, het zaagblad nooit in contact komt met spijkers. Verwijder derhalve alvorens te zagen alle spijkers uit het werkstuk.
4. Gebruik het gereedschap nooit voor het doorsagen van holle pijpen.
5. Ook niet voor het zagen van zeer grote werkstukken.
6. Controleer of onder het werkstuk voldoende ruimte is opdat het zaagblad de vloer, de werktafel enz. niet kan treffen.
7. Houd het gereedschap stevig vast.
8. Zorg ervoor dat het zaagblad niet in contact is met het werkstuk voordat u de spanning inschakelt.
9. Houd uw handen uit de buurt van de bewegende delen.
10. Schakel altijd het gereedschap uit als u weg moet. Schakel het gereedschap alleen in als u het in handen houdt.
11. Schakel altijd uit en wacht tot het zaagblad volledig tot stilstand is gekomen, alvorens het gereedschap van het werkstuk te verwijderen.
12. Raak onmiddellijk na gebruik het zaagblad of het werkstuk niet aan, aangezien het nog gloeiend heet kan zijn en brandwonden kan veroorzaken.

BEWAAR DEZE VOORSCHRIFTEN.

AANVULLENDE VEILIGHEIDSVORSCHRIFTEN VOOR HET GEREEDSCHAP

1. Denk eraan dat dit gereedschap altijd gebruiksklaar is, omdat het niet op een stopcontact hoeft te worden aangesloten.
2. Houd het gereedschap bij de geïsoleerde handgreepoppervlakken vast wanneer u zaagt op plaatsen waar de zaag met verborgen bedrading in aanraking kan komen. Door contact met een onder spanning staande draad zullen ook de niet-geïsoleerde metalen delen van het gereedschap onder spanning komen te staan, zodat de gebruiker een elektrische schok kan krijgen.

BEDIENINGSVOORSCHRIFTEN

Installeren of verwijderen van de accu (Fig. 1)

- Schakel het gereedschap altijd uit alvorens de accu te installeren of te verwijderen.
- Om de accu te verwijderen, neemt u deze uit het gereedschap terwijl u de knoppen aan beide zijden van de accu indrukt.
- Om de accu te installeren, past u de rug op de accu in de groef in de behuizing van het gereedschap, en dan schuift u de accu naar binnen. Schuif de accu zo ver mogelijk erin, totdat deze met een klikgeluid vergrendelt. Indien u dit niet doet, kan de accu per ongeluk uit het gereedschap vallen en uzelf of anderen verwonden.
- Als de accu moeilijk in de houder gaat, moet u niet proberen hem met geweld erin te duwen. Indien de accu er niet gemakkelijk ingaat, betekent dit dat u hem niet op de juiste wijze erin steekt.

Laden (Fig. 2)

Uw nieuwe accu is niet geladen. U moet hem vóór gebruik laden. Gebruik de acculader voor het laden van de accu. Sluit de acculader aan op een stopcontact. Het laadcontrolelampje zal in groen knipperen. Schuif de accu zodanig in de acculader dat de plus en min klemmen van de accu overeenkomen met de plus en min markeringen op de acculader. Schuif de accu zo ver mogelijk in de opening, zodat het op de bodem van de lader rust. Wanneer de accu helemaal erin zit, zal de kleur van het laadcontrolelampje veranderen van groen in rood en zal het laden beginnen. Tijdens het laden zal het laadcontrolelampje blijven branden. Wanneer de kleur van het oplaadlampje verandert van rood in groen, is het opladen voltooid.

Wanneer u een volledig opgeladen accu in de lader laat zitten, zal de lader overschakelen naar de "bijladen (handhaven van de lading)" stand. Trek de stekker van de lader uit het stopcontact nadat het laden is voltooid. Zie de onderstaande tabel voor de oplaadtijden.

Model van batterijpak	Capaciteit (Ah)	Aantal cellen	Oplaadtijd
1222 (Ni-cd)	2,0	10	ca. 45 min.
1234 (Ni-MH)	2,6	10	ca. 60 min.
1235 (Ni-MH)	3,0	10	ca. 70 min.
1422 (Ni-cd)	2,0	12	ca. 45 min.
1434 (Ni-MH)	2,6	12	ca. 60 min.
1435 (Ni-MH)	3,0	12	ca. 70 min.

LET OP:

- De acculader is uitsluitend bestemd voor het laden van Makita accu. Gebruik deze nooit voor andere doeleinden of voor het laden van accu van andere fabrikanten.
- Een nieuw accu of een accu dat gedurende lange tijd niet werd gebruikt, kan eventueel niet volledig worden geladen. Dit is normaal en duidt niet op een defect. Nadat de accu een paar keer volledig is ontladen, kunt u het weer volledig laden.
- Wanneer u de accu van een zojuist gebruikt gereedschap laadt, of een accu die voor langere tijd aan direct zonlicht of hitte werd blootgesteld, gebeurt het wel eens dat het laadcontrolelampje in rood knippert. Wacht in zo'n geval een tijdje. Het laden zal beginnen nadat de accu is afgekoeld. De accu zal sneller afkoelen indien u deze van de acculader verwijderd.
- Indien het laadcontrolelampje afwisselend in groen en rood knippert, wijst dit op een probleem en is laden niet mogelijk. De klemmen op de acculader of op de accu zijn vuil of de accu is versleten of beschadigd.

Bijladen (Handhaven van de lading)

Wanneer u een volledig opgeladen accu in de lader laat zitten om spontaan ontladen te voorkomen, zal de lader overschakelen naar de "Bijladen (Handhaven van de lading)" stand waardoor de accu vers en in volledig opgeladen toestand wordt gehouden.

Wenken om een maximale levensduur van de accu te handhaven

1. Laad de accu op alvorens deze volledig is ontladen.
Stop het gebruik van het gereedschap en laad de accu op telkens wanneer u vaststelt dat het vermogen van het gereedschap verminderd is.
2. Laad een volledig opgeladen accu nooit opnieuw op.
Wanneer u de accu te veel oplaadt, zal deze minder lang meegaan.
3. Laad de accu op bij een kamertemperatuur tussen 10°C en 40°C.
Laat een warme accu afkoelen alvorens deze op te laden.
4. Laad de nikkel-metaalhydride accu op wanneer u deze langer dan zes maanden niet gebruikt.

Installeren of verwijderen van het zaagblad (Fig. 3 en 4)

LET OP:

- Zorg er altijd voor dat het gereedschap is uitgeschakeld en het netsnoer uit het stopcontact is verwijderd, alvorens het zaagblad te installeren of te verwijderen.
- Verwijder altijd alle spaanders of verontreinigingen van het zaagblad en/of de zaagbladhouder. Als u dit verzuimt, bestaat er kans dat het zaagblad niet goed vastgezet zal zijn, hetgeen ernstige verwonding kan veroorzaken.
- Breng smeermiddel of snijolie aan tussen het zaagblad en de rol wanneer u in ijzer, kunststofplaten e.d. zaagt. Als u dit niet doet, zullen het zaagblad en de rol minder lang meegaan en kan een potentieel gevaarlijke zaagbladbreuk worden veroorzaakt.

Om het zaagblad te installeren, draait u met de inbussleutel de bout op de zaagbladhouder los. Steek het zaagblad met de tanden naar voren gericht zo ver mogelijk in de zaagbladhouder. Controleer of de rug van het zaagblad goed tegen de rol zit. Trek daarna de bout aan om het zaagblad vast te zetten.

Om het zaagblad te verwijderen, voert u de procedure voor installeren in omgekeerde volgorde uit.

OPMERKING:

Smeer de rol af en toe.

Installeren van het figuurzaagblad met universele schacht (Fig. 5 en 6)

LET OP:

Controleer altijd of het gereedschap is uitgeschakeld en zijn netsnoer uit het stopcontact is verwijderd alvorens het zaagblad te installeren of te verwijderen.

Door de klem voor het universele zaagblad te gebruiken kunt u zaagbladen van andere merken gebruiken die een universele schacht hebben en een zaagbladbreedte van 6,35 mm zoals het zaagblad op de afbeelding. Zorg ervoor dat het uiteinde van de zaagbladschacht de bodem van de binnenste sleuf raakt en draai de bout stevig vast met de inbussleutel.

Selecteren van de zaagactie (Fig. 7)

Dit gereedschap kan met twee zaagacties worden gebruikt: Zagen in een cirkelbaan of in rechte lijn (op en neer). Tijdens zagen in een cirkelbaan, wordt het zaagblad door de zaagactie naar voren geduwd en vermeerderd de zaagsnelheid aanzienlijk.

Om de zaagactie te veranderen, draait u gewoon de zaagactie-keuzehendel naar de gewenste stand. Zie de onderstaande tabel voor het selecteren van de zaagactie.

Stand	Zaagactie	Toepassingen
O	Zagen in rechte lijn	Zagen van zacht staal, roestvrij staal en plastic. Schoon zagen van hout en gelaagd hout.
I	Zagen in kleine cirkelbaan	Zagen van zacht staal, aluminium en hard hout.
II	Zagen in middelgrote cirkelbaan	Zagen van hout en gelaagd hout. Snel zagen in aluminium en zacht staal.
III	Zagen in grote cirkelbaan	Snel zagen in hout en gelaagd hout.

Werkung van de schakelaar (Fig. 8)

LET OP:

Alvorens u de accu in het gereedschap plaatst, moet u altijd controleren of de trekschakelaar goed werkt en bij het loslaten naar de "OFF" positie terugkeert. De trekschakelaar kan beschadigd raken indien u deze hard indrukt zonder de ontgrendelknop in te drukken.

Een ontgrendelknop is voorzien om te voorkomen dat de trekschakelaar per ongeluk wordt ingedrukt. Om het gereedschap in te schakelen, drukt u de ontgrendelknop en de trekschakelaar in. Laat de trekschakelaar los om te stoppen.

Snelheidsregelknop (Fig. 8)

De zaagsnelheid kan worden ingesteld op een willekeurige snelheid tussen 500 en 2800 (Model 4331D), 500 en 2600 (Model 4333D) slagen per minuut door de snelheidsregelknop naar links of rechts te draaien. Draai de knop in de richting van nummer 5 om de snelheid te vermeerderen, en in de richting van nummer 1 om de snelheid te verminderen. Raadpleeg de onderstaande tabel voor het selecteren van de snelheid die geschikt is voor het te zagen werkstuk. De geschikte snelheid hangt echter ook af van het type of de dikte van het werkstuk. In het algemeen, kunt u met hogere snelheden sneller zagen, maar het zaagblad zal dan minder lang meegaan.

Te zagen werkstuk	Nummer op regelknop
Hout	3–5
Zacht staal	3–5
Roestvrij staal	3–4
Aluminium	2–3
Plastic	1–4

LET OP:

De snelheidsregelknop kan niet verder dan 5 en niet verder terug dan 1 worden gedraaid. Probeer niet de knop met geweld voorbij 5 of 1 te draaien, aangezien de snelheidsregeling dan niet meer juist zal werken.

Bediening (Fig. 9)

LET OP:

- Controleer zorgvuldig of het zaagblad goed is vastgezet, alvorens de accu in het gereedschap te plaatsen.
- Houd de voet van het gereedschap altijd vlak met het werkstuk. Als u dit niet doet, kan het zaagblad breken, hetgeen ernstige verwonding kan veroorzaken.

Schakel het gereedschap in en wacht totdat het zaagblad met volle snelheid draait. Plaats dan de voet van het gereedschap vlak op het werkstuk en beweeg het gereedschap langzaam naar voren langs de van te voren op het werkstuk aangebrachte zaaglijn. Om bochten te zagen moet u het gereedschap zeer langzaam naar voren bewegen.

Zagen onder een schuine hoek (Fig. 10 en 11)

LET OP:

Verwijder altijd de accu uit het gereedschap alvorens de gereedschapsvoet schuin te zetten.

Door de voet van het gereedschap schuin te zetten kunt u schuin zagen onder een willekeurige hoek tussen 0° en 45° (links of rechts).

Draai met de inbussleutel de bout op de achterzijde van de voet los. Beweeg de voet zodat de bout vlak in het midden van de kruisvormige sleuf in de voet komt te zitten. Kantel de gereedschapsvoet om de gewenste schuine hoek te krijgen. De rand van het motorhuis geeft de schuine hoek in schaalverdelingen aan. Controleer of de rug van het zaagblad contact maakt met de rol. Draai daarna de bout vast om de gereedschapsvoet vast te zetten.

Zagen tot helemaal tegen de kant (Fig. 12)

Draai met de inbussleutel de bout op de achterzijde van de voet los en schuif de voet helemaal naar achteren. Draai daarna de bout vast om de voet vast te zetten.

Figuren uitzagen (Fig. 13 en 14)

Voor het uitzagen van figuren kunt u methode A of B gebruiken.

- A) Voorboren van een startgaatje: Om figuren onmiddellijk in het midden van het werkstuk uit te zagen, en dus niet vanaf de rand, moet u eerst een startgaatje met een diameter van 12 mm of meer boren. Steek het zaagblad door dit gaatje en begin dan met het zagen.
- B) Invalzagen: U hoeft geen startgaatje te boren of geen geleidesnede te maken indien u voorzichtig als volgt te werk gaat.
1. Houd het gereedschap schuin voorover door alleen het voorste gedeelte van de voet op het werkstuk te laten rusten, met de punt van het zaagblad net boven het werkstukoppervlak.
 2. Oefen een beetje druk uit op het gereedschap om te voorkomen dat de voorrand van de voet kan bewegen, en schakel het gereedschap in. Laat het achterste gedeelte van het gereedschap langzaam zakken.
 3. Naarmate het zaagblad door het werkstuk heen zaagt, laat u de voet van het gereedschap langzaam op het werkstukoppervlak zakken.
 4. Zaag verder op de normale manier.

Afwerken van de randen (Fig. 15)

Voor het afwerken van randen of voor nauwkeurig op maat zagen, laat u het zaagblad lichtjes langs de gezaagde randen lopen.

Zagen van metaal

Voor het zagen van metaal dient u altijd een geschikt koelmiddel (snijolie) te gebruiken. Als u dit niet doet, zal het zaagblad sneller slijten. In plaats van een koelmiddel te gebruiken, kunt u ook de onderkant van het werkstuk invetten.

Antisplinterinrichting (Fig. 16)

Gebruik de antisplinterinrichting om splintervrije zaagsneden te krijgen. Schuif de inrichting vanaf de onderzijde in de voet zodat deze de zijkanalen van het zaagblad omsluit.

Plastic voetplaat (los verkrijgbaar accessoire) (Fig. 17)

Gebruik de plastic voetplaat voor het zagen van decoratief fineerhout, plastic materiaal, enz. Deze plaat beschermt gevoelige oppervlakken tegen beschadiging. Om de voetplaat te vervangen, verwijdert u de vier schroeven met de inbussleutel.

Geleidelineaal (los verkrijgbaar toebehoren) (Fig. 18)

Wanneer u herhaaldelijk sneden met een breedte van minder dan 150 mm zaagt, kunt u bij gebruik van de geleidelineaal (trekgeleider) sneller zagen en tegelijk schone, rechte sneden krijgen. Om dit te installeren, dient u de bout op de voorkant van de grondplaat los te draaien. Schuif de geleidelineaal erin en zet de bout opnieuw vast.

Cirkelgeleider (los verkrijgbaar toebehoren) (Fig. 19)

Met behulp van de cirkelgeleider is het gemakkelijk om schone cirkels (radius: minder dan 200 mm) te zagen. Steek de pen in het middelste gat en zet deze vast met behulp van de schroefknop. Schuif de grondplaat van het gereedschap helemaal naar voren. Monteer dan de cirkelgeleider op de grondplaat op dezelfde wijze als de geleidelineaal (trekgeleider).

Stofafzuiging (Fig. 20, 21 en 22)

Het is aan te bevelen dat u de vacuümkop gebruikt om schoner te kunnen werken. Monteer het plastic scherm op het gereedschap door het in de inkepingen in het gereedschap aan te brengen. Om de vacuümkop op het gereedschap te monteren, steekt u de haak van de vacuümkop in het gat in de grondplaat. De vacuümkop kan op de linker of rechter zijde van de grondplaat gemonteerd worden. Sluit daarna een Makita stofzuiger op de vacuümkop aan.

ONDERHOUD

LET OP:

Controleer altijd of het gereedschap is uitgeschakeld en de accu is losgekoppeld vooraleer onderhoud uit te voeren aan het gereedschap.

Vervangen van koolborstels (Fig. 23 en 24)

Vervang de borstels wanneer ze tot aan de aangegeven limiet zijn afgesleten. Beide koolborstels dienen tegelijkertijd te worden vervangen.

Opdat het gereedschap veilig en betrouwbaar blijft, dienen alle reparaties, onderhoud of afstellingen te worden uitgevoerd bij een erkend Makita service centrum.

ACCESSOIRES

LET OP:

- Deze accessoires of hulpstukken worden aanbevolen voor gebruik met het Makita gereedschap dat in deze gebruiksaanwijzing is beschreven. Bij gebruik van andere accessoires of hulpstukken bestaat er gevaar voor persoonlijke verwonding. Gebruik de accessoires of hulpstukken uitsluitend voor hun bestemde doel.

Raadpleeg het dichtstbijzijnde Makita Servicecentrum voor verder advies of bijzonderheden omtrent deze accessoires.

- Plastic grondplaat
- Inbussleutel 3
- Cirkelgeleider
- Anti-splinter inrichting
- Plastic scherm
- Slang 19 - 2,5
- Figuurzaagblad
- Diverse types originele Makita accu's en acculaders
- Geleidelineaal (Trekgeleider)
- Vacuümkop

Explicación de los dibujos

1 Botón	11 Palanca	23 Placa base de plástico
2 Cartucho de batería	12 Anillo de ajuste de velocidad	24 Guía lateral
3 Luz de carga	13 Botón de desbloqueo	25 Perilla roscada
4 Cargador de baterías	14 Gatillo interruptor	26 Guía circular
5 Aflojar	15 Base	27 Pasador
6 Llave hexagonal	16 Línea de corte	28 Encajar en muescas
7 Perno	17 Perno	29 Cubierta de plástico
8 Hoja de sierra de calar	18 Ranura en cruz	30 Boquilla
9 Rodillo	19 Borde de la carcasa del motor	31 Marca de límite
10 El extremo de la espiga de la hoja debe llegar hasta el fondo de la hendidura interior.	20 Graduaciones	32 Destornillador
	21 Agujero de inicio	33 Tapa del portaescobillas
	22 Dispositivo antiastillamiento	

ESPECIFICACIONES

Modelo	4331D	4333D
Longitud de carrera	26 mm	26 mm
Capacidades de corte máximas		
Madera	65 mm	65 mm
Acero suave	10 mm	10 mm
Aluminio	20 mm	20 mm
Carreras por minuto	500–2.800	500–2.600
Longitud total	280 mm	280 mm
Peso neto	2,6 kg	2,9 kg
Tensión nominal	CC 12 V	CC 14,4 V

- Debido a un programa continuo de investigación y desarrollo, las especificaciones aquí dadas están sujetas a cambios sin previo aviso.
- Nota: Las especificaciones pueden ser diferentes de país a país.

Sugerencias de seguridad

Para su propia seguridad, consulte las instrucciones de seguridad incluidas.

NORMAS DE SEGURIDAD IMPORTANTES PARA EL CARGADOR Y EL CARTUCHO DE BATERÍA

1. **GUARDE ESTAS INSTRUCCIONES**— Este manual contiene instrucciones de operación y de seguridad importantes para el cargador de baterías.
2. Antes de utilizar el cargador de baterías, lea todas las instrucciones y las indicaciones de precaución (1) del cargador de baterías, (2) de las baterías, y (3) del producto con el que se utilicen las baterías.
3. **PRECAUCIÓN**— Para reducir el riesgo de que se produzcan heridas personales, cargue solamente las baterías recargables del tipo MAKITA. Otros tipos de batería pueden reventar y causar heridas personales y daños.
4. No exponga el cargador a la lluvia ni a la nieve.
5. El uso de accesorios no recomendados ni vendidos por el fabricante del cargador de baterías podrá resultar en un riesgo de incendio, descarga eléctrica, o lesiones a personas.
6. Para reducir el riesgo de dañar el enchufe y cable eléctrico, cuando desconecte el cargador tire del enchufe y no del cable.
7. Cerciórese de colocar el cable de forma que no pueda pisarlo, tropezar con él, y que no esté sometido a tirones ni otro tipo de daños o fatiga.

8. **No utilice el cargador si su cable o enchufe está estropeado—reemplácelos inmediatamente.**
9. **Si el cargador ha recibido un golpe fuerte, lo ha dejado caer, o ha resultado dañado de alguna forma, no lo utilice; llévelo a que se lo revise un técnico de servicio cualificado.**
10. **No desarme el cargador ni el cartucho de batería; cuando necesite realizar algún servicio o reparación, llévelo a un técnico de servicio cualificado. Un montaje incorrecto podría ocasionar un riesgo de descarga eléctrica o de incendio.**
11. **Para reducir el riesgo de una descarga eléctrica, desenchufe el cargador de la toma de corriente antes de intentar cualquier tipo de mantenimiento o limpieza. La desconexión de los controles, únicamente, no reducirá este riesgo.**
12. **El cargador de baterías no ha sido pensado para ser usado por niños ni menores sin ser supervisados.**
13. **Los padres deberán supervisar a sus hijos pequeños para asegurarse de que no juegan con el cargador de baterías.**

NORMAS DE SEGURIDAD ADICIONALES PARA EL CARGADOR Y EL CARTUCHO DE BATERÍA

1. No cargue el cartucho de batería cuando la temperatura sea INFERIOR a 10°C o SUPERIOR a 40°C.
2. No intente utilizar un transformador elevador, un grupo electrógeno ni una toma de corriente continua (CC) para cargar el cartucho de batería.
3. No permita que nada cubra u obstruya las rejillas de ventilación del cargador.
4. Tape siempre los bornes de la batería con la tapa de la batería cuando no utilice el cartucho de batería.

5. No cortocircuite el cartucho de batería:
 - (1) No toque los bornes de la batería con ningún tipo de material conductor.
 - (2) Evite guardar el cartucho de batería en cajas junto con otros objetos metálicos tales como clavos, monedas, etc.
 - (3) No exponga el cartucho de batería al agua ni a la lluvia.

Un cortocircuito en la batería puede causar una gran circulación de corriente, un sobrecalentamiento, posibles quemaduras e incluso una avería.
6. No guarde la herramienta ni el cartucho de batería en lugares donde la temperatura pueda alcanzar o exceder los 50°C.
7. No queme el cartucho de batería aunque esté seriamente dañado o completamente fuera de servicio. El fuego podría hacerlo explotar.
8. Tenga cuidado de no dejar caer, sacudir ni golpear el cartucho de batería.
9. No cargue el cartucho de batería dentro de una caja o contenedor de ningún tipo. Durante la carga, la batería deberá estar en un lugar bien ventilado.
6. Compruebe que debajo de la pieza de trabajo exista la holgura correcta de manera que la cuchilla no golpee con el piso, el banco de trabajo, etc.
7. Sostenga la herramienta firmemente.
8. Asegúrese de que la cuchilla no esté haciendo contacto con la pieza de trabajo antes de que se conecte el interruptor.
9. Mantenga las manos alejadas de las piezas móviles.
10. No deje la herramienta funcionando. Opere la herramienta solamente cuando la esté sosteniendo con las manos.
11. Cuando desconecte la herramienta, espere siempre a que la cuchilla se detenga completamente antes de separar la cuchilla de la pieza de trabajo.
12. No toque la cuchilla ni la pieza de trabajo inmediatamente después de la operación; puede que estén extremadamente calientes y le produzcan quemaduras en la piel.

GUARDE ESTAS INSTRUCCIONES.

INSTRUCCIONES PARA EL FUNCIONAMIENTO

Instalación o extracción del cartucho de batería (Fig. 1)

- Antes de insertar o retirar el cartucho de batería, asegúrese siempre de desconectar la herramienta.
- Para retirar el cartucho de batería, sáquelo de la herramienta mientras presiona los botones a cada lado del mismo.
- Para insertar el cartucho de batería, alinee la lengüeta del cartucho de batería con la acanaladura en el alojamiento y deslícelo hasta alojarlo en su lugar. Insértelo siempre a fondo hasta que quede bloqueado produciendo un ligero chasquido. En caso contrario, podría caerse accidentalmente de la herramienta y causarle heridas a usted o a alguien que se encuentre cerca de usted.
- No fuerce la introducción del cartucho de batería. Si el cartucho no se desliza hacia dentro fácilmente, quiere decir que no está siendo insertado correctamente.

NORMAS DE SEGURIDAD ADICIONALES PARA LA HERRAMIENTA

1. Tenga en cuenta que esta herramienta está siempre en condición de funcionamiento, porque no hay que enchufarla a una toma de corriente eléctrica.
2. Cuando realice tareas en las que la herramienta de corte pueda tocar cables con corriente, sostenga la herramienta por las superficies aisladas. El contacto con un cable con corriente hará que la corriente circule por las partes metálicas expuestas de la herramienta y podrá electrocutar al operario.
3. Evite cortar clavos. Antes de la operación, inspeccione la existencia de clavos y extráigalos todos de la pieza de trabajo.
4. No corte un tubo hueco.
5. No corte una pieza de trabajo de gran tamaño.

Carga (Fig. 2)

El cartucho de batería no está cargado cuando se adquiere nuevo. Tendrá que cargarlo antes de usarlo. Emplee el cargador de batería para cargarlo.

Enchufe el cargador de batería en una toma de corriente alterna (CA) de tensión apropiada. La luz de carga parpadeará en color verde. Inserte el cartucho de batería de forma que los bornes positivo y negativo en el cartucho de batería queden en los mismos lados que las marcas respectivas en el cargador de batería. Inserte el cartucho completamente en la abertura de forma que asiente en la base de la abertura del cargador. Cuando el cartucho esté insertado, el color de la luz de carga cambiará de verde a rojo y la carga comenzará. La luz de carga permanecerá encendida durante la carga. Cuando el color de la luz de carga cambie de rojo a verde, se habrá completado el ciclo de carga.

Si deja el cartucho de batería en el cargador después de que se haya completado el ciclo de carga, el cargador cambiará a su modo de "carga lenta (carga de mantenimiento)". Después de la carga, desenchufe el cargador de la toma de corriente. Consulte la tabla de abajo para ver los tiempos de carga.

Tipo de batería	Capacidad (Ah)	Número de celdas	Tiempo de carga
1222 (Ni-cd)	2,0	10	45 min. aprox.
1234 (Ni-MH)	2,6	10	60 min. aprox.
1235 (Ni-MH)	3,0	10	70 min. aprox.
1422 (Ni-cd)	2,0	12	45 min. aprox.
1434 (Ni-MH)	2,6	12	60 min. aprox.
1435 (Ni-MH)	3,0	12	70 min. aprox.

PRECAUCIÓN:

- El cargador de batería es para cargar el cartucho de batería Makita. No lo utilice nunca con otro propósito o para cargar baterías de otros fabricantes.
- Cuando cargue un cartucho de batería nuevo o uno que no haya sido utilizado durante mucho tiempo, será posible que no pueda cargarse completamente. Esta es una condición normal y no indica ningún tipo de problema. Podrá volver a cargarlo completamente después de descargarlo en su totalidad y volverlo a cargar unas cuantas veces.
- Si carga un cartucho de batería que acabe de retirar de una herramienta que justo entonces acaba de operar o uno que ha estado expuesto a la luz solar directa o calor durante mucho tiempo, la luz de carga podrá parpadear en color rojo. Si se diera el caso, espere algún tiempo. La carga comenzará una vez que el cartucho se enfríe. Éste se enfriará antes si lo saca del cargador.
- Si la luz de carga parpadea alternativamente en verde y rojo, existirá algún problema y no se podrá cargar. Los bornes en el cargador o en el cartucho de batería estarán sucios de polvo o el cartucho podrá estar inservible o estropeado.

Carga continua y lenta (carga de mantenimiento)

Si deja el cartucho de batería en el cargador para evitar que se descargue espontáneamente después de haberlo cargado completamente, el cargador se cambiará a su modo de "carga continua y lenta (carga de mantenimiento)" y mantendrá el cartucho de batería fresco y completamente cargado.

Consejos para alargar al máximo la vida de servicio de la batería

1. Cargue el cartucho de batería antes de que se descargue completamente.
Pare la herramienta y cargue el cartucho de batería siempre que note que se debilita la potencia de la herramienta.
2. Nunca cargue un cartucho de batería que esté completamente cargado.
El exceso de carga acorta la vida de servicio de la batería.
3. Cargue el cartucho de batería a una temperatura ambiente de 10°C – 40°C.
Deje que el cartucho de batería se enfríe antes de cargarlo.
4. Cargue el cartucho de batería de hidruro metálico de níquel cuando no lo utilice durante más de seis meses.

Instalación o extracción de la hoja de sierra (Fig. 3 y 4)

PRECAUCIÓN:

- Asegúrese siempre de que la herramienta esté apagada y desenchufada antes de instalar o extraer la hoja de sierra.
- Limpie siempre todas las virutas o materias extrañas adheridas a la hoja de sierra y/o al portahoja de sierra. Si no lo hace así, podrá dar lugar a un apriete insuficiente de la hoja de sierra con el posible riesgo de sufrir lesiones graves.
- Utilice un lubricante o aceite para cuchillas entre la hoja de sierra y el rodillo cuando corte acero o tableros aglomerados, etc. De no hacerlo se acortará la vida de servicio de la hoja y del rodillo o conducirá a una potencial peligrosa rotura de la hoja.

Para instalar la hoja de sierra, afloje el perno del portahoja de sierra con la llave hexagonal. Con los dientes de la hoja mirando hacia delante, inserte la hoja de sierra a tope en el portahoja de sierra. Asegúrese de que el borde posterior de la hoja de sierra encaje en el rodillo. Luego apriete el perno para sujetar la hoja de sierra. Para extraer la hoja de sierra, siga el procedimiento de instalación a la inversa.

NOTA:

Lubrique el rodillo de vez en cuando.

Instalación de una hoja de sierra de calar de espiga universal (Fig. 5 y 6)

PRECAUCIÓN:

Asegúrese siempre de que la herramienta esté apagada y desenchufada antes de instalar o desmontar la hoja.

Si utiliza la mordaza de hoja de sierra universal, podrá emplear hojas de sierra de una anchura de 6,35 mm de otros fabricantes que tengan espiga universal como la mostrada en la figura. Inserte la hoja a tope en el portasierras. Asegúrese de que el extremo de la espiga de la hoja llegue hasta al fondo de la hendidura interior y apriete firmemente el perno con la llave hexagonal.

Selección de la acción de corte (Fig. 7)

Este herramienta se puede utilizar con una acción de corte orbital o de línea recta. (hacia arriba y hacia abajo). La acción de corte orbital empuja hacia delante a la hoja de sierra en el recorrido de corte y aumenta notablemente la velocidad de corte.

Para cambiar la acción de corte, no tiene más que girar la palanca de cambio de la acción de corte hasta la posición de acción de corte deseada. Para seleccionar la acción de corte consulte la tabla de abajo.

Posición	Acción de corte	Aplicaciones
O	Acción de corte de línea recta	Para cortar acero blando, acero inoxidable y plásticos. Para cortar limpiamente madera y contrachapado.
I	Acción de corte con pequeña órbita	Para cortar acero blando, aluminio y madera dura.
II	Acción de corte con mediana órbita	Para cortar madera y contrachapado. Para cortar rápidamente aluminio y acero blando.
III	Acción de corte con gran órbita	Para cortar rápidamente madera y contrachapado.

Accionamiento del interruptor (Fig. 8)

PRECAUCIÓN:

Antes de insertar el cartucho de batería en la herramienta, compruebe siempre que el gatillo se acciona debidamente y que vuelve a la posición "OFF" cuando lo suelta. Si aprieta con fuerza el gatillo sin haber metido el botón de desbloqueo podrá romper el gatillo.

Para evitar poder apretar accidentalmente el interruptor, se ha provisto un botón de desbloqueo. Para poner en marcha la herramienta, meta el botón de desbloqueo y apriete el gatillo. Suelte el gatillo para pararla.

Control de regulación de la velocidad (Fig. 8)

La velocidad de la herramienta puede ajustarse en infinitas posiciones entre 500 y 2.800 (Modelo 4331D), 500 y 2.600 (Modelo 4333D) carreras por minuto girando el control de regulación de velocidad. Para aumentar la velocidad, gire el control en la dirección del número 5 y, para reducirla, gírelo en la dirección del número 1. Consulte la tabla de abajo para seleccionar la velocidad apropiada para la pieza de trabajo que vaya a cortar. Sin embargo, la velocidad apropiada podrá variar de acuerdo con el tipo o grosor de la pieza de trabajo. En general, a velocidades altas podrá cortar las piezas de trabajo más rápidamente, pero la vida útil de la hoja de sierra se acortará.

Pieza de trabajo a cortar	Número en el control de regulación
Madera	3–5
Acero suave	3–5
Acero inoxidable	3–4
Aluminio	2–3
Plásticos	1–4

PRECAUCIÓN:

El control de regulación de la velocidad solamente se puede girar hasta el número 5 y retroceder hasta el 1. No intente forzarlo más allá del 5 o del 1, porque podría estropearlo.

Operación (Fig. 9)

PRECAUCIÓN:

- Compruebe cuidadosamente que la hoja esté bien sujeta en su sitio antes de insertar la batería en la herramienta.
- Mantenga siempre la base a ras de la pieza de trabajo. De no hacerlo podrá ocasionar la rotura de la hoja, y sufrir graves heridas.

Encienda la herramienta y espere hasta que la hoja haya alcanzado plena velocidad. Luego apoye la base horizontalmente sobre la pieza de trabajo y mueva la herramienta hacia delante con cuidado siguiendo la línea de corte marcada previamente. Cuando corte curvas, avance la herramienta lentamente.

Corte en bisel (Fig. 10 y 11)

PRECAUCIÓN:

Extraiga siempre la batería de la herramienta antes de realizar cualquier ajuste.

Inclinando la base, podrá hacer cortes en bisel a cualquier ángulo comprendido entre 0° y 45° (izquierdo o derecho).

Afloje el perno de la parte posterior de la base con la llave hexagonal. Mueva la base de forma que el perno quede posicionado en el centro de la ranura en cruz en la base. Incline la base hasta obtener el ángulo de bisel deseado. El borde de la carcasa del motor indica el ángulo de bisel en graduaciones. Compruebe el contacto entre el borde posterior de la cuchilla y el rodillo, y luego apriete firmemente el perno para fijar la base.

Cortes frontales a tope (Fig. 12)

Afloje el perno de la parte posterior de la base con la llave hexagonal, y mueva la base completamente hacia atrás. Luego apriete firmemente el perno para fijar la base.

Recortes interiores (Fig. 13 y 14)

Los recortes interiores pueden realizarse con cualquiera de los dos métodos A y B.

- A) Taladrando un agujero: Para recortes internos sin un corte de arranque desde el borde, taladre primeramente un agujero de inicio de más de 12 mm de diámetro. Inserte la hoja en el agujero y empiece a cortar.
- B) Corte calado: Si sigue con cuidado la explicación siguiente no necesitará taladrar un agujero de inicio ni hacer un corte arranque desde el borde.
 1. Incline la herramienta apoyándola sobre el borde delantero de la base, con la punta de la hoja puesta justo por encima de la superficie de la pieza de trabajo.
 2. Aplique presión a la herramienta de forma que el borde delantero de la base no se mueva cuando ponga en marcha la herramienta, y baje lentamente el extremo posterior de la herramienta.
 3. A medida que la hoja vaya penetrando en la pieza de trabajo, baje progresivamente la base de la herramienta hasta apoyarla sobre la superficie de la pieza de trabajo.
 4. Complete el corte de forma normal.

Acabado de bordes (Fig. 15)

Para recortar los bordes o hacer ajustes de dimensión, pase ligeramente la hoja a lo largo de los bordes.

Corte de metales

Utilice siempre un refrigerante apropiado (aceite para cuchillas) cuando corte metales. De no hacerlo la hoja se desgastará notablemente. En lugar de utilizar un refrigerante se puede engrasar la parte inferior de la pieza de trabajo.

Dispositivo antiastillamiento (Fig. 16)

Para reducir la posibilidad de que pueda astillarse la superficie de la pieza de trabajo, se puede utilizar el dispositivo antiastillamiento. Encájelo en la base desde debajo de forma que rodee los lados de la hoja.

Placa base de plástico (accesorio opcional) (Fig. 17)

Utilice la placa base de plástico cuando corte chapas de madera decorativas, plásticos, etc. Así protegerá las superficies sensibles de posibles daños. Para reemplazar la placa base, quite los cuatro tornillos con la llave hexagonal.

SopORTE lateral (accesorio opcional) (Fig. 18)

Cuando corte repetidamente materiales de menos de 150 mm de anchura, la utilización del soporte lateral (regla guía) asegurará unos cortes rápidos, limpios y rectos. Para instalarlo, afloje el perno de la parte delantera de la base. Deslice hacia dentro el soporte lateral y asegúrelo con el perno.

Guía circular (accesorio opcional) (Fig. 19)

La utilización de la guía circular asegura un corte limpio y suave al cortar círculos (radio: inferior a 200 mm). Inserte el pasador por el agujero central y asegúrelo con la perilla roscada. Mueva la base de la herramienta completamente hacia delante. Luego instale la guía circular en la base de igual forma que coloca el soporte lateral (regla guía).

Extracción de polvo (Fig. 20, 21 y 22)

El cabezal de aspiración se recomienda para ejecutar operaciones de corte limpio. Instale la cubierta de plástico en la herramienta acoplándola en las ranuras de la herramienta. Para acoplar el cabezal de aspiración en la herramienta, inserte el gancho del cabezal de aspiración en el agujero de la base. El cabezal de aspiración se puede instalar al lado izquierdo o derecho de la base. Luego conecte un aspirador Makita al cabezal de aspiración.

MANTENIMIENTO

PRECAUCIÓN:

Asegúrese siempre de que la herramienta está apagada y de que el cartucho de baterías está quitado antes de realizar cualquier trabajo en la herramienta.

Substitución de las escobillas de carbón (Fig. 23 y 24)

Substituya las escobillas de carbón cuando estén desgastadas hasta la marca del límite. Las dos escobillas de carbón idénticas deberían ser substituidas al mismo tiempo.

Para mantener la seguridad y fiabilidad del producto, las reparaciones, el mantenimiento y los ajustes deberán ser realizados por un Centro de Servicio Autorizado de Makita.

ACCESORIOS

PRECAUCIÓN:

- Estos accesorios o aditamentos están recomendados para su uso con la herramienta Makita especificada en este manual. El uso de cualquier otro accesorio o aditamento puede suponer un riesgo de lesiones personales. Utilice el accesorio o aditamento exclusivamente para su uso declarado.

Si necesita información más detallada sobre estos accesorios, consulte con su centro local de servicio de Makita.

- Placa base de plástico
- Llave hexagonal 3
- Conjunto de guía circular
- Dispositivo para evitar astillas
- Cubierta de plástico
- Manguera 19 - 2,5
- Cuchilla de sierra de vaivén
- Diferentes tipos de baterías y cargadores genuinos de Makita
- Soporte lateral (Regla guía)
- Cabezal de aspiración

Explicação geral

1	Botão	12	Anel de regulação da velocidade	23	Placa base de plástico
2	Bateria	13	Botão de segurança	24	Guia paralela
3	Luz de carga	14	Gatilho	25	Botão roscado
4	Carregador de bateria	15	Base	26	Guia circular
5	Soltar	16	Linha de corte	27	Pino
6	Chave hexagonal	17	Perno	28	Encaixe nas ranhuras
7	Perno	18	Calha em forma cruzada	29	Cobertura de plástico
8	Lâmina da serra de vaivém	19	Extremidade da caixa do motor	30	Bocal
9	Cilindro	20	Graduações	31	Marca limite
10	A extremidade do encaixe da lâmina deve tocar na parte inferior da ranhura interior.	21	Orifício de início	32	Chave de fendas
11	Alavanca	22	Mecanismo de anti-fragmentação	33	Tampa do porta-escovas

ESPECIFICAÇÕES

Modelo	4331D	4333D
Comprimento do corte	26 mm	26 mm
Capacidade máxima de corte		
Madeira	65 mm	65 mm
Aço macio	10 mm	10 mm
Alumínio	20 mm	20 mm
Cortes por minuto	500 – 2.800	500 – 2.600
Comprimento total	280 mm	280 mm
Peso	2,6 kg	2,9 kg
Voltagem nominal	12 V C.C	14,4 V C.C

- Devido a um programa contínuo de pesquisa e desenvolvimento, estas especificações podem ser alteradas sem aviso prévio.
- Nota: As especificações podem variar de país para país.

Conselhos de segurança

Para sua segurança, leia as instruções anexas.

INSTRUÇÕES DE SEGURANÇA IMPORTANTES PARA O CARREGADOR E BATERIA

1. **GUARDE ESTAS INSTRUÇÕES** — Este manual contém importantes normas de segurança e de funcionamento para o carregador de bateria.
2. Antes de utilizar o carregador leia todas as instruções e notas de precaução no (1) carregador de bateria, (2) bateria e (3) no produto que utiliza a bateria.
3. **PRECAUÇÃO** — Para reduzir o risco de acidente, carregue só baterias recarregáveis da MAKITA. Outros tipos de baterias podem explodir causando danos pessoais.
4. Não exponha o carregador à chuva ou à neve.
5. A utilização de qualquer acessório não recomendado ou vendido pelo fabricante do carregador de bateria pode provocar um incêndio, choque eléctrico ou danos pessoais.
6. Para reduzir o risco de danificar a ficha e o fio eléctrico, puxe pela ficha, nunca pelo fio, quando desligar o carregador.
7. Certifique-se de que o fio está colocado de modo a que não seja pisado, torcido ou de qualquer maneira sujeito a danos ou esticões.

8. **Não utilize o carregador com um fio ou ficha estragados** — substitua-os imediatamente.
9. **Não utilize o carregador se recebeu alguma pancada, caiu ou foi danificado de qualquer maneira; leve-o a um serviço de assistência qualificada.**
10. **Não abra o carregador ou a bateria; leve-o a um serviço de assistência qualificada quando necessitar de assistência ou reparação.** Montagem incorrecta pode resultar em incêndio ou choque eléctrico.
11. Para reduzir o risco de choque eléctrico, desligue o carregador da tomada antes de efectuar qualquer manutenção ou limpeza. Desligar os controles não reduz o risco.
12. O carregador de bateria não deve ser utilizado por crianças ou por enfermos sem vigilância.
13. Deve vigiar as crianças para se certificar de que não brincam com o carregador.

REGRAS DE SEGURANÇA ADICIONAIS PARA O CARREGADOR E BATERIA

1. Não carregue a bateria quando a temperatura é INFERIOR A 10°C ou SUPERIOR A 40°C.
2. Não tente utilizar um transformador de corrente, um gerador ou um receptáculo de alimentação CC.
3. Não deixe que nada cubra ou obstrua as ventilações do carregador.
4. Cubra sempre os terminais da bateria com a tampa quando não estiver a utilizar a bateria.

5. Não provoque um curto circuito na bateria:
 - (1) Não toque nos terminais com nenhum material condutor.
 - (2) Evite guardar a bateria juntamente com outros objectos metálicos tal como pregos, moedas, etc.
 - (3) Não exponha a bateria à chuva ou a água. Um curto circuito na bateria pode causar um grande fluxo de corrente, sobreaquecimento, possíveis queimaduras e mesmo uma avaria.
6. Não guarde a ferramenta e a bateria em locais onde a temperatura possa atingir ou ultrapassar 50°C.
7. Não queime a bateria mesmo se estiver severamente danificada ou completamente gasta. A bateria pode explodir no fogo.
8. Tenha cuidado para não deixar cair, sacudir ou dar pancadas na bateria.
9. Não carregue dentro de uma caixa ou recipiente de qualquer tipo. A bateria deve ser colocada num local bem ventilado durante o carregamento.
5. Não corte uma superfície de grandes dimensões.
6. Certifique-se de que por baixo da superfície de trabalho existe um espaço suficiente para evitar que a lâmina corte a bancada, o chão, etc.
7. Segure a ferramenta com firmeza.
8. Certifique-se de que a lâmina não está em contacto com a superfície de trabalho antes de ligar o interruptor.
9. Afaste as mãos das partes em movimento.
10. Nunca deixe a ferramenta a funcionar sozinha. Trabalhe com ela apenas quando puder segurá-la com as mãos.
11. Quando desligar a ferramenta, aguarde sempre até a lâmina estar completamente parada antes de a retirar da superfície de trabalho.
12. Não toque na lâmina nem na superfície de trabalho logo após a operação; podem estar muito quentes e provocar queimaduras.

GUARDE ESTAS INSTRUÇÕES.

INSTRUÇÕES DE FUNCIONAMENTO

Instalar ou retirar a bateria (Fig. 1)

- Desligue sempre a ferramenta antes de colocar ou retirar a bateria.
- Para retirar a bateria, tire-a da ferramenta enquanto pressiona os botões em ambos os lados da bateria.
- Para colocar a bateria, alinhe a lingueta na bateria com a ranhura na caixa e deslize-a para o seu lugar. Coloque-a sempre completamente até que fique presa no lugar com um pequeno clique. Se assim não for, pode acidentalmente cair da ferramenta ferindo-o a si ou alguém próximo.
- Não utilize força quando coloca a bateria. Se a bateria não deslizar facilmente é porque não está colocada correctamente.

REGRAS DE SEGURANÇA ADICIONAIS PARA A FERRAMENTA

1. Não se esqueça que esta ferramenta está sempre em condições de funcionamento porque não tem de ser ligada a uma tomada eléctrica.
2. Agarre na ferramenta pelas pegadas isoladas quando executa uma operação em que a ferramenta de corte pode entrar em contacto com um fio escondido. Contacto com um fio “vivo” pode fazer com que as partes metálicas da ferramenta fiquem “vivas” e choquem o operador.
3. Evite cortar pregos. Antes do início da operação retire todos os pregos da superfície que vai trabalhar.
4. Não corte um tubo oco.

Carregamento (Fig. 2)

Uma bateria nova não está carregada. Precisa de ser carregada antes da utilização. Utilize o carregador de bateria para carregá-la.

Ligue o carregador de bateria à tomada de corrente alterna com a voltagem apropriada. A luz de carga pisca em verde. Coloque a bateria de modo que os terminais positivo e negativo coincidam com as respectivas marcas no carregador de bateria. Introduza a bateria até ao fundo do carregador. Quando a bateria está colocada, a luz de carga muda de verde para vermelho e começa a carga. A luz mantém-se acesa durante a carga. Quando a luz de carga muda de vermelho para verde, o ciclo de carregamento está completo.

Se deixar a bateria no carregador depois do carregamento acabar, o carregador muda para o modo de “carregamento gota a gota (carregamento de manutenção)”. Em seguida desligue o carregador da tomada de corrente. Consulte a tabela abaixo para verificar o tempo de carga.

Tipo da bateria	Capacidade (Ah)	Número de células	Tempo de carga
1222 (Ni-cd)	2,0	10	Aprox. 45 min.
1234 (Ni-MH)	2,6	10	Aprox. 60 min.
1235 (Ni-MH)	3,0	10	Aprox. 70 min.
1422 (Ni-cd)	2,0	12	Aprox. 45 min.
1434 (Ni-MH)	2,6	12	Aprox. 60 min.
1435 (Ni-MH)	3,0	12	Aprox. 70 min.

PRECAUÇÃO:

- O carregador de bateria destina-se a carregar baterias Makita. Nunca o utilize para outros fins ou para baterias de outros fabricantes.
- Quando carregar uma bateria nova ou uma bateria que não foi utilizada durante um longo período de tempo, pode não ser possível carregá-la completamente. Esta situação é normal e não significa qualquer deficiência. Pode carregar a bateria completamente depois de a ter descarregado e carregado algumas vezes.
- Se carregar uma bateria de uma ferramenta que acabou de funcionar ou uma bateria que foi deixada exposta ao sol, a luz de carga pode piscar em vermelho. Se isto acontecer espere um pouco. A carga começa quando a bateria tiver arrefecido. A bateria arrefecerá mais depressa se a retirar do carregador de bateria.
- Se a luz de carga piscar alternadamente em verde e vermelho, existe um problema e a carga não é possível. Os terminais no carregador ou na bateria estão bloqueados com pó ou a bateria está gasta ou danificada.

Carregamento gota a gota (carregamento de manutenção)

Se deixar a bateria no carregador para evitar descarga espontânea depois de completamente carregada, o carregador mudará para o modo de "carregamento gota a gota (carregamento de manutenção)" e manterá a bateria fresca e completamente carregada.

Conselhos para manter a máxima vida útil da bateria

1. Carregue a bateria antes de completamente descarregada.
Páre sempre a operação e carregue a bateria quando notar diminuição de potência da ferramenta.
2. Nunca recarregue uma bateria completamente carregada.
Sobrecarregamento diminui a vida útil da bateria.
3. Carregue a bateria à temperatura ambiente de 10°C – 40°C.
Se a bateria estiver quente deixe-a arrefecer antes de a carregar.
4. Carregue a bateria de hidreto de níquel quando não a utilizar durante mais do que seis meses.

Colocar ou retirar a lâmina da serra (Fig. 3 e 4)

PRECAUÇÃO:

- Certifique-se sempre de que a ferramenta está desligada e a ficha retirada da tomada antes de colocar ou retirar a lâmina.
- Limpe sempre todas as partículas e matérias estranhas aderentes à lâmina e/ou suporte da lâmina. Se não o fizer pode originar insuficiente aperto da lâmina que pode causar um acidente.
- Utilize um lubrificante ou óleo de corte entre a lâmina e o cilindro quando corta ferro ou placa sintética, etc. Se não o fizer pode diminuir a vida útil da lâmina e do cilindro ou conduzir a uma falha perigosa da lâmina.

Para colocar a lâmina, liberte o perno no suporte da lâmina com a chave hexagonal. Com os dentes da lâmina voltados para a frente, coloque a lâmina no suporte o mais fundo possível. Certifique-se de que a extremidade posterior da lâmina encaixa no cilindro. Em seguida aperte o perno para prender a lâmina.

Para retirar a lâmina, siga inversamente o procedimento de colocação.

NOTA:

Lubrifique o cilindro ocasionalmente.

Seleção da acção de corte (Fig. 7)

Esta ferramenta pode funcionar com uma acção de corte de linha orbital ou direita (para cima e para baixo). A acção de corte orbital empurra a lâmina para a frente na pancada de corte e aumenta grandemente a velocidade de corte. Para mudar a acção de corte, rode simplesmente a alavanca de mudança de acção de corte para a posição da acção de corte desejada. Refira-se à tabela abaixo para seleccionar a acção de corte.

Posição	Acção de corte	Aplicações
O	Acção de corte de linha direita	Para cortes em aço macio, aço inoxidável e plástico. Para cortes limpos em madeira e contraplacado.
I	Acção de corte de órbita pequena	Para cortar aço médio, alumínio e madeira dura.
II	Acção de corte de órbita média	Para cortar madeira e contraplacado. Para cortes rápidos em alumínio e aço mole.
III	Acção de corte de órbita larga	Para cortes rápidos em madeira e contraplacado.

Acção do interruptor (Fig. 8)

PRECAUÇÃO:

Antes de colocar a bateria na ferramenta, verifique sempre se o gatilho funciona correctamente e volta para a posição "OFF" quando libertado. Carregar com força no gatilho quando o botão de segurança não está pressionado pode estragar o interruptor.

Para evitar que o gatilho seja acidentalmente pressionado, existe um botão de bloqueio. Para iniciar a ferramenta, pressione o botão de segurança e carregue no gatilho. Liberte o gatilho para parar.

Marcador de regulação de velocidade (Fig. 8)

A velocidade da ferramenta pode ser regulada infinitamente entre 500 e 2.800 (Modelo 4331D), 500 e 2.600 (Modelo 4333D) cortes por minuto rodando o marcador de regulação. Obtém maior velocidade quando roda o marcador na direcção do número 5; obtém menor velocidade quando o roda na direcção do número 1. Refira-se à tabela abaixo para seleccionar a velocidade adequada para a peça a cortar. No entanto, a velocidade apropriada pode ser diferente conforme a espessura da peça de trabalho. Em geral, maior velocidade permite o corte mais rápido de peças mas a vida útil da lâmina será reduzida.

Peça a ser cortada	Número no marcador de regulação
Madeira	3–5
Aço macio	3–5
Aço inoxidável	3–4
Alumínio	2–3
Pásticos	1–4

PRECAUÇÃO:

O marcador de regulação de velocidade só pode ser rodado até ao 5 e ao 1. Não o force para ultrapassar o 5 ou o 1, ou a função de regulação de velocidade poderá ficar estragada.

Operação (Fig. 9)

PRECAUÇÃO:

- Verifique cuidadosamente que a lâmina está adequadamente presa na sua posição antes de colocar a bateria na ferramenta.
- Tenha sempre a base nivelada com a peça de trabalho. Se assim não for pode estragar a lâmina, resultando em danos sérios.

Ligue a ferramenta e espere até que a lâmina atinja a velocidade máxima. Em seguida coloque a base direita sobre a superfície de trabalho e desloque a ferramenta suavemente para a frente ao longo da linha de corte previamente marcada. Quando corta curvas, avance a ferramenta devagar.

Corte de bisel (Fig. 10 e 11)

PRECAUÇÃO:

Retire sempre a bateria da ferramenta antes de fazer qualquer regulação.

Com a base inclinada pode fazer ângulos de bisel em qualquer ângulo de 0° a 45° (esquerdo ou direito). Solte o perno na parte traseira da base com a chave hexagonal. Mova a base de modo a que o perno esteja posicionado no centro da calha em forma cruzada na base. Incline a base até que obtenha o ângulo de bisel adequado. A extremidade da caixa do motor indica o ângulo de bisel por graduações. Verifique o contacto entre a extremidade posterior da lâmina e o cilindro e em seguida aperte o perno para prender a base.

Cortes de topo frontal (Fig. 12)

Solte o perno na parte traseira da base com a chave hexagonal e em seguida mova a base para trás completamente. Em seguida aperte o perno para prender a base.

Recortes (Fig. 13 e 14)

Pode fazer recortes com qualquer dos métodos A ou B.

- A) Fazer um furo de início: Para recortes internos sem uma entrada na extremidade, faça um orifício de início com mais de 12 mm em diâmetro. Coloque a lâmina neste orifício para iniciar o seu corte.
- B) Corte penetrante: Não necessita de fazer um orifício de início ou um corte de entrada se executar cuidadosamente o seguinte:
 1. Incline a ferramenta para cima na extremidade da frente da base com a ponta da lâmina posicionada mesmo acima da superfície de trabalho.
 2. Aplique pressão na ferramenta de modo a que a extremidade da frente da base não se mova quando liga a ferramenta e suavemente desce a parte detrás da ferramenta devagar.
 3. Quando a lâmina cortar a peça de trabalho, desça devagar a base da ferramenta sobre a superfície de trabalho.
 4. Acabe o corte da maneira normal.

Acabamento das extremidades (Fig. 15)

Para aparar as extremidades ou fazer ajustes das dimensões, passe a lâmina ligeiramente ao longo das extremidades de corte.

Corte de metal

Utilize sempre um lubrificante adequado (óleo de corte) quando corta metal. Se assim não for, pode estragar a lâmina. Pode olear a parte inferior da peça de trabalho em vez de utilizar um lubrificante.

Mecanismo de anti-fragmentação (Fig. 16)

Para reduzir a potencial fragmentação da superfície de trabalho, pode utilizar o mecanismo de anti-fragmentação. Coloque-o na base por baixo de modo a que envolva os lados da lâmina.

Placa base de plástico (acessório opcional)

(Fig. 17)

Utilize a placa base de plástico quando corta embutidos decorativos, plásticos, etc. Protege de estragos as superfícies sensíveis. Para substituir a placa base, retire os quatro parafusos com a chave hexagonal.

Guia paralela (acessório opcional) (Fig. 18)

Quando corta repetidamente extensões inferiores a 150 mm a utilização da guia paralela (régua guia) assegura-lhe cortes rápidos, limpos e correctos. Para a colocação, liberte o perno na frente da base. Coloque a guia e aperte o perno.

Guia circular (acessório opcional) (Fig. 19)

A utilização da guia circular assegura-lhe o corte suave e limpo de círculos (raio: inferior a 200 mm). Coloque o pino no orifício central e prenda-o com o nó do fio. Deslize a base da ferramenta completamente para a frente. Em seguida coloque a guia circular na base da mesma maneira do que a guia paralela (esquadro).

Extracção do pó (Fig. 20, 21 e 22)

Recomenda-se a utilização da cabeça de aspiração para execução de trabalhos de corte limpos. Coloque a cobertura plástica encaixando-a nas ranhuras na ferramenta. Para montar a cabeça de aspiração na ferramenta, coloque o gancho da cabeça de aspiração no orifício na base. A cabeça de aspiração tanto pode ser montada no lado esquerdo como direito da base. Em seguida ligue um aspirador Makita à cabeça de aspiração.

MANUTENÇÃO

PRECAUÇÃO:

Certifique-se sempre de que a ferramenta se encontra desligada e de que a bateria foi retirada antes de efectuar qualquer inspecção e manutenção.

Substituição das escovas de carvão (Fig. 23 e 24)

As escovas de carvão devem ser substituídas quando o desgaste atingir a marca limite. Ambas as escovas de carvão devem ser substituídas ao mesmo tempo.

Para manter a segurança e fiabilidade do produto, as reparações, manutenção e afinações deverão ser sempre efectuadas por um Centro de Assistência Oficial Makita.

ACESSÓRIOS

PRECAUÇÃO:

- Estes acessórios ou peças são recomendados para utilização com a ferramenta Makita especificada neste manual. A utilização de outros acessórios ou peças pode ser perigosa para as pessoas. Utilize apenas acessórios ou peças para os fins indicados.

Se precisar de ajuda para obter mais informações relativas a estes acessórios, entre em contacto com o centro de assistência Makita local.

- Base plástica
- Chave hexagonal 3
- Conjunto de guia circular
- Mecanismo de anti-fragmentação
- Cobertura plástica
- Mangueira 19 - 2,5
- Lâmina da serra
- Vários tipos de baterias Makita e carregadores
- Guia paralela (Régua guia)
- Cabeça de aspiração

Illustrationsoversigt

1 Knap	11 Arm	23 Plastfodplade
2 Akku	12 Hastighedsvælger	24 Parallellanslag
3 Ladelampe	13 Låseknop	25 Kuglegreb
4 Oplader	14 Afbryder	26 Cirkelanslag
5 Løsn	15 Sål	27 Stift
6 Unbrakonøgle	16 Snitlinie	28 Pas ind i noterne
7 Skrue	17 Skrue	29 Plastlåg
8 Stiksavklinge	18 Korsformet udkæring	30 Studs
9 Trykrulle	19 Kant på motorhus	31 Slidmarkering
10 Enden på klingeskafet skal nå til bunden af den indvendige slids.	20 Geringsmål	32 Skruetrækker
	21 Starthul	33 Kulholderdæksel
	22 Antiflosse-anordning	

SPECIFIKATIONER

Model	4331D	4333D
Slaglængde	26 mm	26 mm
Max. skærekapacitet		
Træ	65 mm	65 mm
Blødt stål	10 mm	10 mm
Aluminium	20 mm	20 mm
Slag per minut	500–2 800	500–2 600
Længde	280 mm	280 mm
Vægt	2,6 kg	2,9 kg
Spænding	D.C. 12 V	D.C. 14,4 V

- Ret til tekniske ændringer forbeholdes.
- Bemærk: Data kan variere fra land til land.

Sikkerhedsbestemmelser

Af sikkerhedsgrunde bør De sætte Dem ind i de medfølgende Sikkerhedsforskrifter.

VIGTIGE SIKKERHEDSFORSKRIFTER FOR OPLADER OG AKKU

1. GEM DISSE FORSKRIFTER—Denne brugsanvisning indeholder vigtige sikkerhedsforskrifter og betjeningsvejledninger for opladeren.
2. Før brug af opladeren bør De læse alle instruktioner og advarselmarkeringer vedrørende (1) laderen, (2) akku, og (3) maskinen.
3. ADVARSEL—For at mindske risikoen for personskade må opladeren kun anvendes til opladning af genopladelige MAKITA akku-typer. Andre akku-typer kan sprænges og forårsage personskade eller ødelæggelser.
4. Udsæt ikke opladeren for regn eller sne.
5. Brug af tilbehør, der ikke er anbefalet eller solgt af Makita, kan medføre risiko for brand, elektrisk stød, eller personskade.
6. For at minimere risikoen for skade på netledning og netstik, skal De trække i netstikket og ikke i ledningen, når opladeren tages ud af stikkontakten.
7. Sørg for, at netledningen er placeret således, at man ikke træder på den eller falder over den, og således, at den ikke på anden måde beskadiges eller lider overlast.
8. Brug aldrig opladeren, hvis netledningen eller netstikket er beskadiget — få dem udskiftet øjeblikkeligt.

9. Brug aldrig opladeren, hvis den har fået voldsomt slag, er blevet tabt eller på anden måde er beskadiget. Lad en kvalificeret reparatør se på den.
10. Skil aldrig opladeren eller akkuen ad; kontakt en kvalificeret reparatør, når vedligeholdelse eller reparation er påkrævet. Forkert samling kan medføre risiko for elektrisk stød eller brand.
11. For at undgå risiko for elektrisk stød skal opladeren altid tages ud af stikkontakten, før vedligeholdelse eller rengøring udføres. Denne risiko fjernes ikke ved blot at slukke for kontrollerne.
12. Opladeren er ikke beregnet til at skulle anvendes af børn eller svaglige personer uden opsyn.
13. Små børn bør være under opsyn for at sikre, at de ikke leger med opladeren.

YDERLIGERE SIKKERHEDSFORSKRIFTER FOR OPLADER OG AKKU

1. Oplad ikke akkuen, når temperaturen er UNDER 10°C, eller OVER 40°C.
2. Forsøg aldrig at anvende en transformator, generator eller jævnstrømsforsyning til opladning.
3. Sørg for at opladerens ventilationsåbninger ikke tildækkes.
4. Sæt altid beskyttelsesdækslet over akkuens poler, når den ikke er i brug.
5. Kortslut aldrig akkuen:
 - (1) Rør ikke polerne med noget ledende materiale.
 - (2) Opbevar ikke akkuen sammen med genstande af metal, som f.eks. søm og skruer.
 - (3) Udsæt aldrig akkuen eller opladeren for vand eller regn.

En kortslutning af akkuen kan forårsage en stor strømudledning, overophedning, forbrænding, og gennemslag gennem isolerende materiale.

6. Opbevar ikke akkuen eller maskinen på steder, hvor temperaturen kan komme over 50°C.
7. Akkuen indeholder cadmium og er dermed miljøaffald, som ikke må bortskaffes med almindeligt husholdningsaffald. Den må ikke brændes, da den kan eksplodere i åben ild. Akkuen skal, når den er udtjent, deponeres for genbrug. Spørg forhandleren om de gældende regler.
8. Udsæt ikke akkuen for slag eller andre voldsomme fysiske påvirkninger.
9. Oplad ikke akkuen i en kasse eller en anden form for beholder. Akkuen skal oplades på et sted med god ventilation.
7. Hold maskinen fast med begge hænder.
8. Vær sikker på at klingen ikke er i kontakt med emnet, når maskinen tændes.
9. Hold hænderne borte fra bevægelige dele.
10. Sluk altid værktøjet når det ikke benyttes. Brug kun værktøjet som håndværktøj.
11. Sluk altid værktøjet og vent til klingen er helt stoppet, før De fjerner klingen fra emnet.
12. Undlat at røre klingene eller emnet umiddelbart efter bruegn. Klinge og emne kan være meget varme og forårsage forbrændinger.

GEM DISSE FORSKRIFTER.

YDERLIGERE SIKKERHEDSFORSKRIFTER FOR MASKINEN

1. Vær opmærksom på at maskinen altid er driftsklar, da den ikke behøver tilslutning til en stikkontakt.
2. Hold kun ved maskinen på de isolerede greb og overflader, når De udfører arbejde, hvor det skærende værktøj kan komme i kontakt med skjulte ledninger. Kontakt med en strømførende ledning vil også gøre uafdækkede metaldele på maskinen strømførende og give operatøren stød.
3. Tjek emnet af fjern søm, skruer og andre fremmedlegemer før arbejdet påbegyndes.
4. Skær ikke i hule rør.
5. Skær ikke i overdimensionerede emner.
6. Kontrollér, at der er en passende afstand under emnet, så klingene ikke rammer underlaget, gulvet, arbejdsbordet, etc.

Opladning (Fig. 2)

En ny akku er ikke opladet ved leveringen. Den skal oplades før brug. Brug akku-ladeaggregat til opladning af akkuen. Tilslut akku-ladeaggregatet til stikkontakten. Ladelampen blinker grønt. Sæt akkuen i akku-ladeaggregatet således at dens plus- og minuspoler passer med de tilsvarende markeringer på akku-ladeaggregatet. Skub akkuen så langt ind at den står på bunden af akku-ladeaggregatet. Når akkuen er isat, skifter ladelampen fra grønt til rødt og opladningen begynder. Ladelampen forbliver tændt under hele opladningen. Når ladelampens farve skifter fra rødt til grøn, er opladningen afsluttet.

Hvis De efterlader akkuen i akku-ladeaggregatet, efter at opladningen er afsluttet, skifter akku-ladeaggregatet over til kompensationsladning (vedligeholdelsesladning) funktion. Tag akkuen ud og træk stikket til laderen ud af stikkontakten. Se nedenstående tabel vedrørende ladetiden.

Akkue-type	Kapacitet (Ah)	Antal celler	Ladetid ved anvendelse
1222 (Ni-cd)	2,0	10	Ca. 45 min.
1234 (Ni-MH)	2,6	10	Ca. 60 min.
1235 (Ni-MH)	3,0	10	Ca. 70 min.
1422 (Ni-cd)	2,0	12	Ca. 45 min.
1434 (Ni-MH)	2,6	12	Ca. 60 min.
1435 (Ni-MH)	3,0	12	Ca. 70 min.

ADVARSEL:

- Akku-ladeaggregat er beregnet til opladning af Makita akkuer. Brug den aldrig til andre formål eller til opladning af akkuer af andre fabrikater.
- Ved opladning af en ny akku eller en akku, der ikke har været brugt længe, kan det ske at akkuen ikke oplades helt. Dette er normalt, og akkuen vil atter kunne oplades helt, når den har været opladet og afladet nogle gange.
- Hvis man forsøger at oplade en akku, der lige har været i brug eller udsat for stærk varme, vil ladelampen evt. blinke rødt. Sker dette, kan opladningen først startes, når akkuen er afkølet. Akkuen afkøles hurtigere hvis den tages ud af laderen.
- Hvis ladelampen blinker skiftevis grønt og rødt, er opladning ikke mulig. Polerne på akku-ladeaggregatet eller akkuen er ikke rene, akkuen er beskadiget eller akkuen er slidt op.

Kompensationsladning (vedligeholdelsesladning)

Hvis De efterlade akkuen i akku-ladeaggregatet for at forebygge spontan afladning efter en fuld opladning, skifter akku-ladeaggregatet til dens "kompensationsladning (vedligeholdelsesladning)" funktion, og holder derved akkuen frisk og fuldt opladet.

Tips til sikring af maksimal akku-levetid

1. Oplad akkuen, før den er fuldt afladet.
Stop altid med at bruge maskinen, og oplad akkuen, når De bemærker reduceret maskinkraft.
2. Oplad aldrig en fuldt opladet akku.
Over-opladning forkorter akkuens levetid.
3. Oplad akkuen ved en rumtemperatur på 10°C – 40°C.
Lad en varm akku køle, før den oplades.
4. Oplad nikkel metalhydrid akkuen, når De ikke har anvendt den indenfor et halvt år.

Montering og afmontering af savklinge (Fig. 3 og 4)

ADVARSEL:

- Kontrollér altid, at maskinen er slået fra og at netstikket er trukket ud af stikkontakten, før De monterer eller afmonterer savklingen.
- Sørg for altid at fjerne spåner eller andre fremmedlegemer, der måtte klæbe til klingens og/eller klingeholderens. Forsømmelse af dette kan resultere i utilstrækkelig tilspænding af klingens, hvilket kan medføre alvorlig tilskadekomst.
- Anvend altid et passende smøremiddel eller skæreolie mellem savklingen og trykrullen, når der saves jern, legrede plader og lignende. Anvendes der ikke et kølemiddel, medfører det unødvendigt slid på savklingen og rullen, og det kan føre til, at klingens knækker på potentiel farlig vis.

For at montere savklingen løsnes bolten på klingeholderen med unbrakonøglen. Med klingens tænder vendende fremad sættes savklingen helt ind i klingeholderen. Sørg for at bagkanten på klingens passer ind i trykrullen. Stram derefter bolten, der holder klingens på plads. Klingens fjernes ved at følge fremgangsmåden ved montering i omvendt rækkefølge.

BEMÆRK:

Smør af og til trykrullen.

Valg af savemåde (Fig. 7)

Denne maskine kan save med penduludsving eller en lineær bevægelse (op og ned). Savemåden med penduludsving støder klingens fremad samtidig med slaget og forøger savehastigheden betydeligt.

For at skifte savemåde drejes savemådevælgeren blot hen på positionen for den ønskede savemåde. Se tabellen herunder for at vælge den ønskede savemåde.

Position	Klingebevægelse	Anvendelse
O	Lineær	Savning i alm. stål, rustfrit stål og plastic. Rent snit i træ og krydsfiner.
I	Med lille penduludsving	Savning i alm. stål, aluminium og hårdt træ.
II	Med medium penduludsving	Savning i træ og krydsfiner. Hurtigsavning i aluminium og alm. stål.
III	Med kraftigt penduludsving	Hurtigsavning i træ og krydsfiner.

Montering af stiksavklinge med universalopsætning (Fig. 5 og 6)

FORSIGTIG:

Sørg altid for at maskinen er slukket og akkuen taget ud, før savklingen monteres eller afmonteres.

Hvis universalklampen anvendes, kan De anvende savklinger af andet fabrikat, såfremt disse har et universalskæft, som det, der er vist i illustrationen, med en klingebredde på 6,35 mm. Sæt savklingen så langt ind i klingeholderen, som den kan komme. Sørg for at enden af klingskæftet når bunden i den indvendige slids, og stram bolten godt til med unbrakonøglen.

Afbryderbetjening (Fig. 8)

FORSIGTIG:

Før akkuen sættes i maskinen, bør De altid kontrollere, at afbryderen fungerer korrekt og returnerer til "OFF" positionen, når den slippes. Trykkes der hårdt på afbryderen, uden at der også trykkes på låseknappen, vil det medføre beskadigelse af afbryderen.

Denne maskine forsynet med en låseknop for at forhindre, at afbryderen ved et uheld aktiveres. Start maskinen ved at trykke låseknappen ind og trykke afbryderen i bund. Slip afbryderen for at standse maskinen.

Hastighedsvælger (Fig. 8)

Maskinhastigheden kan justeres til mellem 500 og 2 800 (Model 4331D), 500 og 2 600 (Model 4333D) slag per minut ved at der drejes på hastighedsvælgeren. Der opnås højere hastighed, når knappen drejes i retning mod 5; lavere hastighed opnås ved at dreje den i retning af 1. Se tabellen herunder for at finde den korrekte hastighed til det emne, der skal savnes. Den passende hastighed kan dog svinge alt efter emnets type eller tykkelse. Generelt vil højere hastighed gøre det muligt at save emner hurtigere, men savklængens levetid vil blive kortere.

Emne der skal saves	Tal på hastighedsvælgeren
Træ	3–5
Smedestål	3–5
Rustfrit stål	3–4
Aluminium	2–3
Plastic	1–4

ADVARSEL:

Hastighedsvælgeren kan kun drejes så langt som til 5 og tilbage til 1. Tving den ikke forbi 5 eller 1, da hastighedsvælgerfunktionen ellers kan gå i stykker.

Betjening (Fig. 9)

FORSIGTIG:

- Kontrollér omhyggeligt, at savklingen er sikkert anbragt i den korrekte position, før akkuen sættes på maskinen.
- Hold altid maskinens sål plant mod emnet. Hvis sålen ikke ligger plant mod emnet, er der stor risiko for at klingens brækker, hvilket kan medføre alvorlig tilskadekomst.

Tænd for maskinen og vent til klingens er kommet op på fuld hastighed. Lad derefter sålen hvile plant mod emnet og før maskinen forsigtigt fremad langs den opmærkede snitlinie. Flyt maskinen meget langsomt, når der saves buer.

Skråsnit (Fig. 10 og 11)

FORSIGTIG:

Kontrollér altid, at akkuen er taget af, før der foretages nogen former for indstillinger.

Med maskinens sål på skrå, kan De lave skråsnit i enhver vinkel mellem 0° og 45° (venstre- eller højrevendt).

Løsn skruen på undersiden af den bagerste del af maskinens sål med unbrakonøglen. Flyt maskinens sål, så skruen er anbragt i midten af den korsformede udskæring i maskinens sål. Kip maskinens sål, indtil den ønskede geringsvinkel er opnået. Kanten på motorhuset angiver geringsvinklen. Kontrollér kontakten mellem bagkanten af klingens og trykrullen og stram derefter skruen til for at fastgøre maskinens sål.

Skæring mod kant (Fig. 12)

Løsn skruen på undersiden af den bagerste del af maskinens sål med unbrakonøglen, og skub sålen helt bagud. Stram derefter bolten til for at fastgøre maskinens sål.

Udskæringer (Fig. 13 og 14)

Udskæringer kan laves ved hjælp af metode A eller B.

- A) Boring af et starthul: Ved indvendige udskæringer, uden et indførende savspor fra en kant, begynder man med at bore et starthul med en diameter på 12 mm eller mere. Før savklingen ned i dette hul for at starte savningen.
- B) Dyksnit: Det er ikke nødvendigt at bore et starthul, eller lave et indførende savspor fra en kant, hvis følgende udføres omhyggeligt:
 1. Vip maskinen op, så den hviler på forkanten af sålen, med klingspidsen placeret lige over emnets overflade.
 2. Læg tryk på maskinen, så forkanten af sålen ikke forskubber sig, når maskinen tændes, og sænk så forsigtigt den bagerste del af maskinen.
 3. I takt med at klingens trænger igennem emnet, sænkes maskinens sål langsomt ned på emnets overflade.
 4. Fuldfør derefter savningen på normal vis.

Afglatning af kanter (Fig. 15)

For at trimme kanter eller foretage dimensionelle justeringer køres klingens let hen langs kanten af savsporet.

Savning af metal

Anvend altid et passende kølemiddel (skæreoile), når der saves metal. Anvendes der ikke et kølemiddel, medfører det unødvendigt slid på savklingen. I stedet for at anvende et kølemiddel kan undersiden af emnet smøres.

Antiflosse-anordning (Fig. 16)

Antiflosse-anordningen kan anvendes til at sikre savning uden flossede kanter. Sæt antiflosse-anordningen ind i sålen fra undersiden, således at den slutter omkring begge sider af savklingen.

Plastfodplade (ekstraudstyr) (Fig. 17)

Anvend plastfodpladen når der skæres finer, plastmateriale og lignende. Plastfodpladen beskytter sarte overflader mod ridser og skrummer. For at udskifte fodpladen fjernes de fire skruer med unbrakonøglen.

Parallelanslag (ekstraudstyr) (Fig. 18)

Når der gentagne gange skal savs bredder på mindre end 150 mm, vil anvendelse af parallelanslag (støtteføring) sikre en fast, ren og lige savning. Installér parallelanslaget ved at løsne skruen på forsiden af landet. Før styreanslaget ind og spænd skruen.

Cirkelanslag (ekstraudstyr) (Fig. 19)

Brug af cirkelanslag sikrer ren og jævn savning af cirkler (maks. radius: 200 mm). Før stiften ind gennem centerhullet og skru kuglegrebet på den. Flyt landet på maskinen helt frem. Montér derefter cirkelanslaget på landet, på samme måde som parallelanslaget (støtteføringen).

Støvudsugning (Fig. 20, 21 og 22)

Det anbefales at bruge vakuumbovedet for at undgå støvforurening under savning. Installér plastiklåget på maskinen ved at sætte det ind i hakkerne på værktøjet. For at sætte vakuumbovedet på maskinen sættes krogen på vakuumbovedet ind i bundens huller. Vakuumbovedet kan enten monteres på venstre eller højre side af bunden. Derefter kobles en Makita støvsuger til vakuumbovedet.

VEDLIGEHOLDELSE

ADVARSEL:

Sørg altid for at maskinen er slukket, og at akkuen er taget ud før der gennemføres noget arbejde på selve maskinen.

Udskiftning af kul (Fig. 23 og 24)

Udskift maskinens kul når disse er slidt ned til slidgrænsen. De nedslidte kul erstattes med nye originale Makita-kul. Udskift altid kullene parvis.

For at opretholde produktets sikkerhed og pålidelighed, må istandsættelse, vedligeholdelse eller justering kun udføres af et autoriseret Makita service center.

TILBEHØR

ADVARSEL:

- Det følgende tilbehør og ekstraudstyr er anbefalet til brug med Deres Makita maskine, der er beskrevet i denne brugsanvisning. Anvendelse af andet tilbehør eller ekstraudstyr kan udgøre en risiko for personskade. Anvend kun tilbehør og ekstraudstyr til det beskrevne formål.

Hvis De har behov for yderligere detaljer om dette tilbehør, bedes De kontakte Deres lokale Makita Service Center.

- Kunststofland
- Unbrakonøgle 3
- Cirkelanslag
- Antisplint-anordning
- Plasticskærm
- Slange 19 - 2,5
- Stiksavsklinge
- Forskellige typer af originale Makita-akkuer og opladere
- Parallelanslag (støtteføring)
- Vakuumboved

Förklaring av allmän översikt

1 Knapp	11 Spak	23 Bottenplatta av plast
2 Kraftkasset	12 Ratt för varvtalsreglering	24 Anslagsskena
3 Laddningslampa	13 Säkerhetsspärr	25 Gängad knopp
4 Batteriladdare	14 Strömbrytare av avtryckartyp	26 Hållanslag
5 Lossa	15 Sågbord	27 Stift
6 Sexkantsnyckel	16 Såglinje	28 Passa in i skårorna
7 Bult	17 Bult	29 Skydd av plast
8 Sticksågsblad	18 Korsformat spår	30 Dysa
9 Rulle	19 Motorhusets kant	31 Slitgränsmarkering
10 Änden av bladets fäste ska komma in till slutet av den inre slitsen.	20 Gradering	32 Skruvmejsel
	21 Starthål	33 Kolhållarlock
	22 Flisningsskydd	

TEKNISKA DATA

Modell	4331D	4333D
Slaglängd	26 mm	26 mm
Maximal sågningskapacitet		
Trä	65 mm	65 mm
Mjukt stål	10 mm	10 mm
Aluminium	20 mm	20 mm
Slag per minut	500 – 2 800	500 – 2 600
Total längd	280 mm	280 mm
Nettovikt	2,6 kg	2,9 kg
Märkspänning	12 V likström	14,4 V likström

- På grund av det kontinuerliga programmet för forskning och utveckling, kan här angivna tekniska data ändras utan föregående meddelande.
- Observera! Tekniska data kan variera i olika länder.

Säkerhetstips

För din egen säkerhets skull, bör du läsa igenom de medföljande säkerhetsföreskrifterna.

VIKTIGA SÄKERHETSINSTRUKTIONER FÖR LADDARE OCH KRAFTKASSETT

1. SPARA DESSA INSTRUKTIONER — Bruksanvisningen innehåller viktiga säkerhets- och driftsinstruktioner för batteriladdaren.
2. Läs alla instruktioner och varningstexter på (1) batteriladdaren, (2) kraftkassetten och (3) produkten till vilka dessa används, innan du använder batteriladdaren.
3. VARNING — Ladda endast MAKITA uppladdningsbara kraftkassetter för att minska risken för skador. Andra batterityper kan explodera och orsaka skador på person och egendom.
4. Utsätt inte laddaren för regn eller snö.
5. Användning av tillbehör som inte säljs eller är rekommenderade av batteriladdarens tillverkare kan medföra risk för eldsvåda, elektriska stötar och personskador.
6. Dra i kontakten och inte i sladden när laddaren kopplas ur strömuttaget, för att minska risken för skador på nätkontakten och nätsladden.
7. Se till att sladden är placerad så att inte någon trampar eller snubblar på den, eller att den på annat sätt utsätts för skador eller yttre påverkan.
8. Använd inte laddaren om kontakten eller sladden är skadade. Byt ut delarna omedelbart.
9. Använd inte laddaren om den har utsatts för ett kraftigt slag, tappats, eller på annat sätt skadats. Ta laddaren till en auktoriserad serviceverkstad.

10. Plocka inte isär laddaren eller kraftkassetten. Ta dem till en auktoriserad serviceverkstad om de behöver ses över eller repareras. Felaktig sammansättning kan medföra risk för elektriska stötar och eldsvåda.
11. Dra ur kontakten till laddaren innan underhåll eller rengöring utförs för att minska risken för elektriska stötar. Denna risk minskas inte genom att bara stänga av kontrollerna.
12. Batteriladdaren är inte avsedd för att användas av smObarn och personer som lider av Olderdomssvaghet utan tillsyn.
13. SmObarn bör ha sOdan tillsyn att de inte leker med batteriladdaren.

SÄRSKILDA ANVISNINGAR FÖR LADDARE OCH KRAFTKASSETT

1. Ladda inte kraftkassetten när temperaturen är UNDER 10°C eller ÖVER 40°C.
2. Försök inte använda en spänningsomvandlare, motordriven generator eller ett likströmsuttag.
3. Låt ingenting täcka för eller täppa igen laddarens ventilationshål.
4. Sätt alltid på det medföljande kontaktskyddet när kraftkassetten inte används.
5. Kortslut inte kraftkassetten:
 - (1) Vidrör inte kontakterna med något ledande material.
 - (2) Undvik att förvara kraftkassetten i en behållare som innehåller andra metallföremål som till exempel spikar, mynt o.d.
 - (3) Utsätt inte kraftkassetten för vatten eller regn.
 En kortslutning av kraftkassetten kan medföra ett kraftigt spänningsflöde, överhettning, brännskador och även totalförstörrelse av kraftkassetten.

- Förvara ej maskinen eller kraftkassetten på platser där temperaturen kan komma att uppnå eller överskrida 50°C.
- Bränn inte upp kraftkassetten även om den är kraftigt skadad eller totalt utslitet. Kraftkassetten kan explodera i eld.
- Var försiktig så att batteriet inte tappas, skakas om kraftigt eller slås emot andra föremål.
- Ladda inte kraftkassetten inuti en låda eller behållare av något slag. Kraftkassetten måste placeras på en plats med god ventilation under laddning.
- Håll i verktyget stadigt.
- Kontrollera att bladet inte ligger an mot arbetsstycket innan strömmen sätts på.
- Håll händerna på avstånd från rörliga delar.
- Lämna inte verktyget med motorn igång. Använd verktyget endast när det hålls i händerna.
- Stäng alltid av strömmen, och vänta tills bladet har stannat helt, innan bladet tas bort från arbetsstycket.
- Vidrör inte bladet eller arbetsstycket omedelbart efter arbetets slut; de kan vara extremt heta och orsaka brännskador.

SÄRSKILDA SÄKERHETSREGLER FÖR MASKINEN

- Tänk på att maskinen alltid är i driftsläge eftersom den inte behöver kopplas till ett elektriskt uttag.
- Håll verktyget i de isolerade greppytorna när du arbetar på platser där det sågande verktyget (sågbladet) kan komma i kontakt med gömd ledningsdragnig. Om verktyget kommer i beröring med en strömförande ledning gör det att även de synliga metalldelarna på verktyget blir strömförande, och operatören får då en elektrisk stöt.
- Undvik att såga i spikar. Kontrollera arbetsstycket och tag bort alla spikar, innan arbetet sätts igång.
- Såga inte ihåliga rör.
- Såga inte överdimensionerade arbetsstycken.
- Kontrollera att det är tillräckligt med utrymme under arbetsstycket, innan arbetet sätts igång, så att bladet inte kommer mot golvet, arbetsbänken e.d.

Laddning (Fig. 2)

Vid leverans är kraftkassetten oladdad. Den måste laddas före användning. Använd laddaren för att ladda upp kraftkassetten.

Sätt i laddaren i ett lämpligt växelströmsuttag. Laddningslampan tänds med ett grönt ljus. Sätt i kraftkassetten så att plus- och minuspolerna på kraftkassetten är på samma sida som respektive markeringar på laddaren. För in kassetten helt och fullt i laddningsurtaget så att den vilar mot laddningsurtagets botten. När kraftkassetten satts i ändras laddningslampans färg från grönt till rött och laddningen påbörjas. Laddningslampan lyser med stadigt sken under hela laddningen. När laddningslampan ändrar färg från rött till grönt är laddningen avslutad.

Om du lämnar kraftkassetten i laddaren efter avslutad laddning övergår laddaren till läget "strömladdning (underhållsladdning)". Dra ur laddarens nätkabel från strömkällan efter laddningen. Se i tabellen nedan för laddningstid.

Batterityp	Kapacitet (Ah)	Antal celler	Laddningstid
1222 (Ni-cd)	2,0	10	Ungefär 45 min.
1234 (Ni-MH)	2,6	10	Ungefär 60 min.
1235 (Ni-MH)	3,0	10	Ungefär 70 min.
1422 (Ni-cd)	2,0	12	Ungefär 45 min.
1434 (Ni-MH)	2,6	12	Ungefär 60 min.
1435 (Ni-MH)	3,0	12	Ungefär 70 min.

FÖRSIKTIGHET!

- Laddaren är avsedd för laddning av Makita kraftkassett. Använd den aldrig för andra ändamål eller för att ladda batterier av andra märken.
- Vid laddning av en ny kraftkassett, eller en kraftkassett som inte använts under lång tid kan det hända att kraftkassetten inte kan laddas fullt. Detta är normalt och indikerar inte någon felaktighet hos laddare eller kassett. Kraftkassetten kan laddas fullt efter att den laddats upp och laddats ur några gånger.

SPARA DESSA ANVISNINGAR.

BRUKSANVISNING

Montering och demontering av kraftkassetten (Fig. 1)

- Stäng alltid av maskinen innan kraftkassetten sätts i eller tas ur.
- Ta bort kraftkassetten genom att trycka in knapparna på kassetten båda sidor och samtidigt dra av den från maskinen.
- Sätt på kraftkassetten genom att passa in tungan på kraftkassetten mot skåran i maskinhuset och sedan skjuta den i läge. Skjut alltid på kraftkassetten hela vägen tills den låses i läge med ett litet klickljud. Om kraftkassetten inte låses i läge kan den av misstag falla ur sitt läge, och därmed orsaka skador på dig själv eller någon person i din närhet.
- Tvinga inte kraftkassetten i läge vid monteringen. Om kassetten inte lätt glider i läge, är den inte monterad på rätt sätt.

- Vid laddning av en kraftkassett från en maskin som just använts, eller en kraftkassett som har legat på en plats utsatt för direkt solljus eller värme under en längre tid kan det hända att laddningslampan blinkar med rött sken. Vänta en stund om detta inträffar. Laddningen påbörjas efter att kraftkassetten svalnat. Kraftkassetten svalnar snabbare om du avlägsnar den från laddaren.
- Om laddningslampan blinkar med omväxlande grönt och rött sken har ett problem uppstått, och laddning kan inte genomföras. Kontaktorna på laddaren eller kraftkassetten är igensatta med damm eller skräp, eller så är kraftkassetten utsliten eller skadad.

Strörladdning (underhållsladdning)

Laddaren övergår till läget för "strörladdning (underhållsladdning)" om du lämnar kvar kraftkassetten i laddaren, för att förhindra att batteriet laddas ur spontant efter en fulladdning, och laddaren kan därmed hållas fräsch och fulladdat.

Tips för att upprätthålla maximal livslängd för batteriet

1. Ladda upp laddaren innan det är fullständigt urladdat.
Avbryt alltid arbetet som du utför med maskinen, och ladda upp laddaren, när du märker att kraften i maskinen minskar.
2. Ladda aldrig ett fulladdat laddare.
Överladdning minskar batteriets livslängd.
3. Ladda laddaren i rumstemperatur vid 10°C – 40°C.
Låt ett laddare, som har blivit varmt, svalna innan det laddas.
4. Ladda upp kraftkassetten, av typ nickel metallhydrid, om du inte använder den på mer än sex månader.

Montering och demontering av sågblad (Fig. 3 och 4)

FÖRSIKTIGHET!

- Se alltid till att maskinen är avstängd och nätsladden urdragen innan sågbladet monteras eller demonteras.
- Tag alltid bort sågfilis och andra främmande föremål som sitter fast på sågbladet och/eller bladhållaren. I annat fall kan det orsaka att sågbladet inte kan dras åt ordentligt med en allvarlig olycka som följd.
- Använd ett smörjmedel eller skärolja mellan bladet och rullen vid sågning i järn, kompositskivor o.d. I annat fall minskar sågbladets och rullen brukstid, och det kan även leda till att sågbladet bryts av på ett riskfyllt sätt.

Montera sågbladet genom att lossa bulten på bladhållaren med sexkantsnyckeln. För in sågbladet i bladhållaren så långt det går, med bladets sågtänder riktade framåt. Se till att sågbladets bakända passar in i stödrullen. Fäst sedan sågbladet genom att dra åt bulten.

Demontera sågbladet genom att följa monteringsanvisningen i omvänd ordning.

OBSERVERA!

Smörj stödrullen allt emellanåt.

Montering av sticksågsblad med universalfäste (Fig. 5 och 6)

FÖRSIKTIGHET:

Se alltid till att verktyget är avstängt och batteriet borttaget innan sågbladet monteras eller tas bort.

Om universalklämman för sågblad används kan du använda sågblad från andra tillverkare, med ett likadant universalfäste som det som visas i figuren, med en bladvidd på 6,35 mm. För in sågbladet i sågbladshållaren så långt det går. Se till att änden på bladets fäste kommer in till botten av den inre slitens, och dra sedan åt bulten ordentligt med sexkantsnyckeln.

Att välja sågfunktion (Fig. 7)

Maskinen kan användas med sågbladet i kretslopp eller i en rak linje (upp och ner). Med sågbladet i ett kretslopp kastar bladet framåt i sågmomentet, vilket ger en markant ökning av sågningshastigheten.

Vrid omkopplingsspaken för sågfunktion vid ändring av sågfunktion, så att spaken står i den önskade positionen. Se i tabellen nedan för att välja sågfunktion.

Position	Sågfunktion	Användningsområde
O	Sågbladet i rak linje	För sågning i mjukt stål, rostfritt stål och plastmaterial. För rena såglinjer vid sågning i trä och plywood.
I	Litet kretslopp	För sågning i mjukt stål, aluminium och hårda träslag.
II	Mellanstort kretslopp	För sågning i trä och plywood. För snabb sågning i aluminium och mjukt stål.
III	Stort kretslopp	För snabb sågning i trä och plywood.

Strömbrytarens funktion (Fig. 8)

FÖRSIKTIGHET!

Kontrollera alltid att strömbrytaren fungerar normalt, och återgår till det avstängda läget ("OFF") när den släpps, innan kraftkassetten sätts i verktyget.

För att förhindra att strömbrytaren trycks in av misstag har verktyget försetts med en säkerhetsspärr. Starta verktyget genom att trycka in säkerhetsspärr, och tryck därefter på strömbrytaren. Släpp strömbrytaren för att stanna.

Ratt för varvtalsreglering (Fig. 8)

Maskinens varvtal kan ställas in steglöst mellan 500 och 2800 (Modell 4331D), 500 och 2600 (Modell 4333D) slag per minut genom att vrida ratten för varvtalsreglering. Högre varvtal erhålles om ratten vrids i riktning mot siffran 5. Lägre varvtal erhålles om ratten vrids i riktning mot siffran 1. Se i tabellen nedan för att välja det varvtal som bäst passar det arbetsstycke som ska sågas. Det lämpliga varvtalet kan dock variera beroende på arbetsstyckets tjocklek. Generellt sett kan du genomföra sågningen snabbare med ett högre varvtal, men sågbladets livslängd reduceras.

Arbetsstycke som ska sågas	Siffror på ratten för varvtalsreglering
Trä	3–5
Mjukt stål	3–5
Rostfritt stål	3–4
Aluminium	2–3
Plast	1–4

FÖRSIKTIGHET!

Ratten för varvtalsreglering kan endast vridas till 5 och tillbaka till 1. Om ratten vrids förbi 5 eller 1 med våld kan varvtalsregleringen upphöra att fungera.

Drift (Fig. 9)

FÖRSIKTIGHET:

- Kontrollera noggrant att bladet är fäst i korrekt läge innan batteriet sätts i verktyget.
- Håll alltid sågbordet plant mot arbetsstycket. I annat fall kan bladet brytas av, vilket kan leda till svåra skador.

Sätt på verktyget, och vänta tills bladet har uppnått full hastighet. Ställ sedan sågbordet plant mot arbetsstycket och för sedan verktyget försiktigt framåt längs den i förväg markerade såglinjen. För verktyget långsamt framåt vid kurssågning.

Vinkelsågning (Fig. 10 och 11)

FÖRSIKTIGHET:

Ta alltid bort batteriet från verktyget innan några justeringar utförs.

Genom att luta sågbordet kan du utföra vinkelsågning i valfri vinkel mellan 0° och 45° (vänster eller höger).

Lossa bulten på sågbordets baksida med sexkantsnyckeln. Flytta sågbordet så att bulten kommer mitt i sågbordets korsformade spår. Luta sågbordet så att den önskade vinkeln erhålles. Motorhusets kant indikerar vinkeln i enlighet med graderingarna. Kontrollera beröringen mellan bladets bakända och rullen, och dra sedan åt bulten för att späna fast sågbordet.

Sågning tätt intill en kant (Fig. 12)

Lossa bulten på sågbordets baksida med sexkantsnyckeln, och skjut sedan sågbordet bakåt så långt det går. Dra sedan åt bulten för att späna fast sågbordet igen.

Hålsågning (Fig. 13 och 14)

Hålsågning kan utföras med den ena av de två metoderna A och B.

- A) Borring av ett starthål: För invärdig hålsågning, utan insågning från en kant, borrar först ett starthål med en diameter på minst 12 mm. Stick in sågbladet i hålet och börja sedan såga.

- B) Dyksågning: du behöver inte borra ett starthål eller göra en insågning från kanten, om du försiktigt gör på följande sätt:

1. Luta verktyget uppåt på sågbordets framkant, så att sågbladets spets befinner sig precis ovanför arbetsstyckets yta.
2. Tryck mot verktyget så att sågbordets framkant inte rör sig när du sätter på verktyget och försiktigt sänker ned verktygets bakre ända långsamt.
3. Sänk långsamt ner verktygets sågbord på arbetsstycket, när sågbladet tränger igenom arbetsstycket.
4. Fullborda sågningen på vanligt sätt.

Finsågning av kanter (Fig. 15)

Låt sågbladet löpa längs sågkanterna för att slipa av dem, eller för att göra mättjusteringar.

Metallsågning

Använd alltid något lämpligt kylmedel (skärolja) i samband med metallsågning. I annat fall kommer sågbladet att slitas kraftigt. Istället för att använda ett kylmedel kan arbetsstyckets undersida smörjas in.

Flisnings skydd (Fig. 16)

Flisningsskyddet kan användas för att minska risken för att arbetsstycket flisar sig. Sätt på det på sågbordet underifrån, så att det ligger runt om sågbladets sidor.

Bottenplattan av plast (separat tillbehör) (Fig. 17)

Använd bottenplattan av plast vid sågning i dekorationsfanér, plast osv. Den skyddar känsliga ytor mot skador. Lossa de fyra skruvarna med sexkantsnyckeln för att byta bottenplatta.

Parallellanslag (separat tillbehör) (Fig. 18)

Vid upprepad sågning av bredder under 150 mm kan ett parallellanslag (riktlinjal) användas för att garantera snabb, ren och rak sågning. Sätt på parallellanslaget genom att lossa bulten på bottenplattans framdel. Skjut på parallellanslaget och dra åt bulten.

Cirkellinjal (separat tillbehör) (Fig. 19)

Att använda en cirkellinjal ger en ren och smidig sågning av cirklar (med en radie på mindre än 200 mm). Sätt i stiftet genom mitthålet och fäst det med den gängade knoppen. Skjut maskinens bottenplatta framåt så långt det går. Sätt sedan fast cirkellinjalen på bottenplattan på samma sätt som parallellanslaget (riktlinjalen).

Dammsugning (Fig. 20, 21 och 22)

Dammsugarmunstycket rekommenderas för ett rent sågningsarbete. Montera plastskyddet på maskinen genom att passa in det i spåren på maskinen. Passa in kroken på dammsugarmunstycket i hålet i bottenplattan. Dammsugarmunstycket kan monteras på antingen vänster eller höger sida om bottenplattan. Anslut sedan en Makita dammsugare till dammsugarmunstycket.

UNDERHÅLL

FÖRSIKTIGHET:

Tillse alltid att maskinen är fränkopplad och att kraftkassetten tagits ur maskinen innan Du utför arbete på denna.

Utbyte av kolborstar (Fig. 23 och 24)

Byt ut kolborstarna när de slitits ner till slitagegränsmarkeringen. Byt alltid ut båda kolborstarna samtidigt.

För att bibehålla produktens säkerhet och tillförlitlighet, bör alltid reparationer, underhålls-service och justeringar utföras av auktoriserad Makita serviceverkstad.

TILLBEHÖR

FÖRSIKTIGHET!

- Dessa tillbehör och tillsatser rekommenderas för användning med den Makita-maskin som anges i den här bruksanvisningen. Om andra tillbehör eller tillsatser används finns det risk för personskador. Använd endast tillbehören och tillsatserna för de ändamål de uttryckligen är avsedda för.

Tillfråga din lokala återförsäljare av Makita-produkter om du behöver ytterligare hjälp med eller mer detaljer angående dessa tillbehör.

- Bottenplatta av plast
- Sexkantsnyckel 3
- Monteringssats för cirkelanslag
- Splitterskydd
- Plastskydd
- Slang 19 - 2,5
- Figursågs klinga
- Olika typer av Makita originalbatterier och -laddare
- Parallellanslag (riktlinjal)
- Dammsugarmunstycke

Forklaring til generell oversikt

1 Knapp	11 Hendel	23 Bunnplate av plast
2 Batteri	12 Hastighetsskive	24 Styrelinjal
3 Ladelampe	13 Spørreknapp	25 Gjenget knott
4 Batterilader	14 Startbryter	26 Sirkelfører
5 Løsne	15 Verktøysfot	27 Stift
6 Sekskantnøkkel	16 Skjærelinje	28 Monter i hakkene
7 Bolt	17 Bolt	29 Plastdeksel
8 Løvsagblad	18 Kryssformet åpning	30 Munnstykke
9 Valse	19 Kanten på motorhuset	31 Slitasjegrense
10 Enden av skovltappen skal nå bunnen av den innvendige splitten.	20 Graderinger	32 Skrutrekker
	21 Starthull	33 Børsteholderhette
	22 Antifisering-anordning	

TEKNISKE DATA

Modell	4331D	4333D
Slaglengde	26 mm	26 mm
Maks skjærekapasitet		
Tre	65 mm	65 mm
Bløtt stål	10 mm	10 mm
Bløtt stål	20 mm	20 mm
Slag per minutt	500–2 800	500–2 600
Totallengde	280 mm	280 mm
Nettovekt	2,6 kg	2,9 kg
Klassifisert spenning	D.C 12 V	D.C 14,4 V

- Grunnet det kontinuerlige forsknings- og utviklingsprogrammet, forbeholder vi oss retten til å foreta endringer i tekniske data uten forvarsel.
- Merknad: Tekniske data kan variere fra land til land.

Sikkerhetstips

For din egen sikkerhets skyld ber vi deg lese de medfølgende sikkerhetsreglene.

VIKTIGE SIKKERHETSREGLER FOR LADER OG BATTERI

1. **TA VARE PÅ BRUKSANVISNINGEN**—den inneholder viktige sikkerhetsregler og bruksveiledning for batteriladeren.
2. Les alle sikkerhetsregler og advarsler på (1) laderen, (2) batteriet og (3) produktet som batteriet skal brukes til før før laderen tas i bruk.
3. **NB!**—Reduser faren for skader- bruk kun oppladbare batterier av Makita type. Andre typer batterier kan eksplodere og forårsake skader, både på personer og omgivelsene.
4. Utsett ikke laderen for regn eller snø.
5. Bruk av utstyr som ikke er anbefalt av eller selges av produsenten av laderen kan medføre fare for brann, elektrisk støt eller personskader.
6. Rykk ikke i ledningen for å få støpslet ut av stikkkontakten.
7. Sørg for at ledningen ligger slik at ingen trækker på, snubler i den, eller at den på annen måte utsettes for belastninger.
8. Bruk ikke laderen hvis ledningen eller støpslet er skadet — skift ut omgående.
9. Har hurtigladeren falt i gulvet eller vært utsatt for skade, bør den repareres på et autorisert verksted.

10. **Demonter ikke lader eller batteri på egen hånd. Overlat eventuelle reparasjoner til et autorisert verksted. Feil montering kan medføre fare for elektrisk støt eller brann.**
11. **Faren for elektrisk støt ved rengjøring og vedlikehold reduseres ved å fjerne støpslet fra kontakten. Det er ikke nok å skru av kontrollene.**
12. **Batteriladeren er ikke beregnet til bruk for mindreårige barn eller personer som trenger oppsyn.**
13. **Se til at ikke mindreårige barn leker med batteriladeren.**

EKSTRA SIKKERHETSREGLER FOR LADER OG BATTERI

1. **Ikke lad batteriet ved temperaturer UNDER +10°C eller OVER +40°C.**
2. **Kan ikke brukes med opptransformator, aggregat eller likestrømskontakt.**
3. **Sørg for at ikke luftehullene tildekkes eller tettes igjen.**
4. **Batteriterminalene må alltid være dekket til med batteridekslet når batteriet ikke er i bruk.**
5. **Dette kan medføre kortslutning av batteriet:**
 - (1) Terminalen må ikke komme i kontakt med strømførende materialer.
 - (2) Unngå å oppbevare batteriet sammen med andre metallgjenstander som f.eks spikre, mynter, etc.
 - (3) Batteriet må ikke utsettes for vann eller regn. Et batteri som kortsluttes kan forårsake stor elektrisk strømvangang og driftsstand.
6. **Hverken maskin eller batteri må oppbevares på steder hvor temperaturen kan nå eller overskride 50°C.**

7. Kast ikke batteriet på åpen ild, selv om det er ødelagt eller totalt utslitt. Batteriet kan eksplodere i flammene.
8. Batteriet må ikke falle på gulvet, ristes eller utsettes for slag.
9. Batteriet må ikke lades opp inni en beholder av noe slag. Opplading av batteriet må foregå på et sted hvor ventilasjonen er god.
7. Hold godt fast i verktøyet.
8. Sørg for at bladet ikke kommer i berøring med arbeidsstykket før verktøyet slås på.
9. Hold hendene unna bevegelige deler.
10. Forlat ikke verktøyet når det er igang. Verktøyet må bare betjenes når det holdes med begge hender.
11. Slå strømmen av og vent til sagbladet har stoppet helt før det fjernes fra arbeidsstykket.
12. Rør aldri bladet eller arbeidsstykket like etter en skjæreoperasjon; de kan være meget varme og forårsake brannskader.

EKSTRA SIKKERHETSREGLER FOR MASKINEN

1. Vær oppmerksom på at maskinen alltid vil være i startposisjon siden den ikke skal koples til strømmettet.
2. Hold verktøyet i de isolerte gripeflatene når arbeid utføres på steder hvor verktøyet kan komme i kontakt med skjulte ledninger. Kontakt med en strømførende ledning vil gjøre at eksponerte metaldeler på verktøyet også blir strømførende og dermed utsette operatøren for elektrisk støt.
3. Unngå skjæring av spikre. Kontroller arbeidsstykket og fjern eventuelle spikre før arbeidet påbegynnes.
4. Skjær ikke i hule rør.
5. Skjær ikke arbeidsstykker som er for store.
6. Se etter at det er klaring under arbeidsstykket før arbeidet påbegynnes slik at sagbladet ikke trefrer gulv, arbeidsbenk, etc.

TA VARE PÅ DISSE INSTRUKSENE.

BRUKSANVISNINGER

Montering og demontering av batteriet (Fig. 1)

- Maskinen må alltid slås av før batteriet settes i eller tas ut.
- Batteriet fjernes fra maskinen ved å trekke det ut samtidig som knappene på begge sider trykkes inn.
- Batteriet settes i ved å passe tungene på batteriet inn etter sporet i kammeret og så skyve det på plass. Batteriet må føres helt inn til det låses på plass med et lite klikk. Hvis dette ikke gjøres kan det falle ut mens maskinen er i bruk og påføre brukeren eller eventuelle tilstedeværende legemsskader.
- Batteriet må ikke settes i med makt. Hvis det ikke med letthet glir på plass er det fordi det settes i på feil måte.

Lading (Fig. 2)

Det nye batteriet er ikke ladet. Det må derfor lades opp før bruk. Bruk batterilader til dette.

Kople batteriladeren til strømmettet (AC). Ladelampen blinker grønt. Sett i batteriet slik at pluss (+) og minus (–) er på samme side som respektive markeringer på batteriladeren. Sett batteriet helt inn i åpningen så det hviler i bunnen på laderen. Når batteriet settes i vil ladelampen skifte farge fra grønn til rød, og ladingen vil begynne. Ladelampen vil lyse så lenge ladingen pågår. Når ladelampens farge skifter fra rød til grønn, betyr det at ladesyklusen er fullført.

Hvis batteriet blir stående i laderen etter at ladingen er ferdig, vil laderen gå over i "dryppladingsmodus" (vedlikeholdsladning). Etter ladingen koples laderen fra strømmettet. Se tabellen under om ladetid.

Batteritype	Kapasitet (Ah)	Antall celler	Ladetid
1222 (Ni-cd)	2,0	10	Ca. 45 min.
1234 (Ni-MH)	2,6	10	Ca. 60 min.
1235 (Ni-MH)	3,0	10	Ca. 70 min.
1422 (Ni-cd)	2,0	12	Ca. 45 min.
1434 (Ni-MH)	2,6	12	Ca. 60 min.
1435 (Ni-MH)	3,0	12	Ca. 70 min.

NB!

- Batterilader er til lading av Makita batteri. Den må ikke brukes til andre formål eller til batterier av annet fabrikkat.
- Ved lading av et nytt batteri eller et som ikke har vært i bruk på en stund, kan det være vanskelig å lade det helt opp. Dette er normalt og ikke tegn på noe galt. Batteriet lar seg lade fullt opp etter at det har vært helt utladet og oppladet igjen et par ganger.
- Hvis du lader opp et batteri fra en maskin som nettopp har vært i bruk, eller et batteri som har vært utsatt for direkte sol eller annen varme, vil ladelampen blinke rødt. Hvis dette skjer, venter du en stund. Ladingen starter når batteriet er avkjølt. Batteriet avkjøles raskere hvis det fjernes fra batteriladeren.
- Hvis ladelampen blinker vekselvis i grønt og rødt, tyder det på at noe er galt og lading er derfor ikke mulig. Terminalene på laderen eller batteriet er enten tilstoppet med støv eller batteriet er dødt eller ødelagt.

Dryppladning (vedlikeholdsladning)

Hvis du lar batteriet stå i batteriladeren for å forhindre utlading etter full opplading, vil laderen gå over i "dryppladningsmodus" (vedlikeholdsladning) og holde batteriet i oppladet stand.

Noen tips for å vedlikeholde batteriets maksimale levetid

1. Lad batteriet opp før det blir helt utladet.
Stans maskinen og lad opp batteriet så snart du merker at maskineffekten begynner å synke.
2. Lad aldri opp et helt oppladet batteri.
Overopplading vil redusere verktøyets levetid.
3. Lad batteriet opp under romtemperatur på 10°C – 40°C.
Et varmt batteri bør avkjøles før det lades opp.
4. Nikkelmetallhydrid -batteriet må lades opp når det ikke skal brukes på mer enn 6 måneder.

Montering eller demontering av sagblad (Fig. 3 og 4)

NB!

- Maskinen må alltid være avslått og støpslet tatt ut av stikkkontakten før montering eller demontering av blad.
- Rens alltid ut spon eller fremmedlegemer som kan ha satt seg fast på bladet og/eller bladholderen. Hvis dette overses, kan det forårsake utilstrekkelig strømming av bladet med alvorlige personskader til følge.
- Bruk smøreolje eller skjæreolje mellom bladet og valsen ved skjæring av jern eller metallegeringer, etc. Hvis ikke vil bladets og valsens levetid reduseres, eller føre til farlige situasjoner hvis bladet skulle knekke.

Bladet monteres ved å løsne boltene på bladholderen med sekskantnøkkelen. Med bladtennene pekende fremover, settes bladet inn i bladholderen så langt det kan komme. Pass på at bakkanten på bladet passer inn i trinsen. Stram boltene igjen så bladet sitter fast.

Bladet fjernes ved å følge monteringsprosedyren i omvendt rekkefølge.

MERKNAD:

Smør trinsen en gang i mellom.

Velg sagefunksjon (Fig. 7)

Denne maskinen kan betjenes med en sirkulerende eller en rettlinjert (opp og ned) sagefunksjon. Den sirkulerende sagefunksjonen støter bladet fremover på sagslaget og øker sagehastigheten betydelig.

For å endre sagefunksjonen er det bare å vri sagefunksjonens skiftehendel til ønsket sagefunksjon. Se tabellen under for valg av sagefunksjon.

Posisjon	Sagefunksjon	Anvendelse
O	Rettlinjert sagefunksjon	Til saging av bløtt stål, rustfritt stål og plast. For rene skjæreflater i tre og finer.
I	Liten sirkelfunksjon	Til saging av bløtt stål, aluminium og hardt tre.
II	Middels sirkelfunksjon	Til saging av tre og finer. Til rask saging i aluminium og bløtt stål.
III	Stor sirkelfunksjon	Til rask saging i tre og finer.

Bryter (Fig. 8)

OBS!

Før batteriet settes inn i verktøyet, påse at startbryteren fungerer som den skal og går tilbake til "OFF" når den slippes. Hvis startbryteren trykkes kraftig inn mens sperreknappen er aktivert, kan bryteren ødelegges.

For å forhindre at startbryteren trykkes inn ved et uhell, er den utstyrt med en sperreknapp. Verktøyet startes ved trykke inn sperreknappen og deretter startbryteren. Slipp startbryteren for å stoppe.

Montere løvsagblad med universal skovltapp (Fig. 5 og 6)

OBS!

Påse alltid at verktøyet er slått av og batteriet fjernet ved montering eller demontering av blad.

Hvis universal bladklemme brukes, kan du bruke blad av andre merker som har en universal skovltapp som er make til den som er vist i figuren, og som har en bladbredde på 6,35 mm. Sett bladet inn i bladholderen så langt det kan komme. Se til at enden på bladets skovltapp når bunnen av den innvendige splitten, og stram boltene forsvarlig med sekskantnøkkelen.

Hastighetsskive (Fig. 8)

Maskinens hastighet kan justeres trinnløst mellom til 500 og 2800 (Modell 4331D), 500 og 2600 (Modell 4333D) slag per minutt ved å dreie på hastighetsskiven. Hastigheten øker når skiven dreies mot 5-tallet; og den blir lavere når skiven dreies mot 1-tallet. Se tabellen under for å finne riktig hastighet til emnet som skal sages. Men korrekt hastighet kan variere avhengig av typen eller tykkelsen på emnet. Generelt vil høyere hastighet gi raskere saging, men bladet slites også hurtigere ned.

Arbeidsemne som skal sages	Tall på hastighetsskiven
Tre	3–5
Bløtt stål	3–5
Rustfritt stål	3–4
Aluminium	2–3
Plast	1–4

NB!

Hastighetsskiven kan bare dreies til 5 og tilbake til 1. Den må ikke foreres forbi 5 eller 1, det kan ødelegge hele funksjonen for justering av hastighet.

Saging (Fig. 9)

OBS!

- Kontroller bladet nøye for å være sikker på det er forsvarlig montert før batteriet settes inn i verktøyet.
- Se til at verktøysfoten flukter med arbeidsemnet. Hvis den ikke gjør det kan det føre til at bladet knekker og forårsake en alvorlig ulykke.

Slå verktøyet på og vent til bladet oppnår full hastighet. La deretter verktøysfoten hvile flatt på arbeidsemnet og beveg verktøyet forover langs den allerede oppmerkede skjærelinjen. Ved skjæring av kurver, må verktøyet bevegtes langsomt forover.

Skråskjæring (Fig. 10 og 11)

OBS!

Ta alltid ut batteriet før eventuelle justeringer utføres.

Med verktøysfoten vippet opp kan du utføre skråskjæring i en hvilken som helst vinkel mellom 0° og 45° (venstre eller høyre).

Løsne bolten på baksiden av verktøysfoten med sekskantnøkkelen. Flytt foten slik at bolten kommer i midten av den kryssformede åpningen i foten. Vipp foten til ønsket vinkel oppnås. Kanten på motorhuset angir skråvinkelen ved hjelp av graderinger. Sjekk kontakten mellom bladets bakre kant og valsen, stram deretter bolten slik at verktøysfoten festes forsvarlig.

Fluktskjæring fra fronten (Fig. 12)

Løsne bolten på baksiden av foten med sekskantnøkkelen og flytt deretter foten helt tilbake. Stram bolten slik at verktøysfoten festes forsvarlig.

Utskjæringer (Fig. 13 og 14)

Utskjæring kan foretas med enten metode A eller B.

- A) Bor et starthull: Ved boring av utskjæringer uten innstikk med ledehull fra en av kantene på emnet, boret det først et starthull som er minst 12 mm i diameter. Sett bladet inn i dette hullet for å starte skjæringen.
- B) Plungerskjæring: Det er ikke nødvendig å bore et starthull eller foreta innstikk med ledehull hvis du nøye følger denne metoden.
 1. Vipp verktøyet opp på forkanten av foten med bladspissen plassert like over emnet.
 2. Legg trykk på verktøyet slik at forkanten av foten ikke flytter seg når verktøyet slås på og bakkanten av verktøyet langsomt og forsiktig senkes.
 3. Når bladet borer seg igjennom emnet, senkes verktøysfoten langsomt ned på emneflaten.
 4. Fullfør skjæringen på normalt vis.

Finpusning av kantene (Fig. 15)

For å finpusse kantene eller foreta dimensionale justeringer, lar du bladet gå forsiktig og lett langs med skjærekantene.

Metallskjæring

Bruk alltid en egnet kjølevæske (skjæreeolje) ved skjæring av metall. Hvis ikke vil det resultere det i betraktelig slitasje på bladet. Undersiden av emnet kan smøres med fett istedet for å bruke kjølevæske.

Antiflising-anordning (Fig. 16)

For å redusere risikoen for at emnet fliser seg opp, kan du bruke en antiflising-anordning. Monter anordningen fast på foten fra undersiden slik at den omkranser blad-sidene.

Bunnplate av plast (ekstrautstyr) (Fig. 17)

Bruk bunnplaten av plast ved skjæring av dekorative belegg, plast, etc. Platen beskytter flatene mot skader. Plastplaten skiftes ut ved å fjerne de fire skruene med sekskantnøkkelen.

Ripevern (ekstrautstyr) (Fig. 18)

Ved saging av bredder på under 150 mm gjentatte ganger, vil bruk av ripevernet (styrelinjal) sikre raske, rene og rette snitt. Det monteres ved å skru løs bolten foran på foten. Smett ripevernet inn og trekk bolten til.

Sirkelfører (ekstrautstyr) (Fig. 19)

Bruk av sirkelføreren sikrer rene, glatte sirkelsnitt (radius: under 200 mm). Før stiften inn gjennom senterhullet og fest med den med knotten med gjenger. Flytt maskinfoten helt fram. Monter så sirkelføreren på foten på samme måte som ripevernet (styrelinjal).

Støvsuging (Fig. 20, 21 og 22)

Det anbefales å bruke støvsugerhodet for renere sageop-erasjoner. Monter plastdekslet på maskinen ved å feste det i hakkene i maskinen. Støvsugerhodet monteres på maskinen og kroken på støvsugerhodet settes inn i hullet i foten. Støvsugerhodet kan monteres på enten venstre eller høyre side av foten. Deretter koples en Makita støvsuger til støvsugerhodet.

SERVICE

NB!

Før det utføres arbeider på maskinen må du alltid for-
visse deg om at maskinen er slått av og akkumulatoren
er tatt ut.

Skifte ut kullbørster (Fig. 23 og 24)

Skifte ut kullbørstene når de er slitt ned til grensemark-
eringen. Begge kullbørstene må skiftes ut samtidig.

For å garantere at maskinen arbeider sikkert og pålitelig
bør reparasjoner, servicearbeider eller innstillinger
utføres av et autorisert Makita-serviceverksted.

TILBEHØR

NB!

• Dette tilbehøret eller utstyret anbefales til å brukes med
ditt Makita-verktøy som er spesifisert i denne bruksan-
visningen. Bruk av annet tilbehør eller utstyr kan med-
føre risiko for personskader. Tilbehør og utstyr må bare
bruk til de formål de er beregnet til.

Kontakt nærmeste Makita-serviceverksted dersom du
trenger videre opplysninger angående tilbehøret.

- Underlagsplate av plast
- Sekskantnøkkel 3
- Sirkelførersett
- Antifliseanordning
- Plastdeksel
- Slange 19 - 2,5
- Stikksagblad
- Ulike typer originale batterier og ladere fra Makita
- Ripevern (Styrelinjal)
- Støvsugerhode

Yleiselustus

1 Painike	12 Nopeudensäätökehä	23 Muovinen alustalevy
2 Akku	13 Lukituksen vapautuspainike	24 Ohjaustulkki
3 Latausvalo	14 Liipaisinkytkin	25 Kierrenuppi
4 Akkulaturi	15 Alusta	26 Kaariohjain
5 Löystyy	16 Sahauslinja	27 Tappi
6 Kuusioavain	17 Ruuvi	28 Sovita koloihin
7 Ruuvi	18 Ristinmuotoinen aukko	29 Muovisuojus
8 Kuviosahan terä	19 Moottorikotelon reuna	30 Suutin
9 Ohjainrulla	20 Asteikko	31 Rajamerkki
10 Terän karan tulee ulottua sisem- män reiän pohjaan.	21 Aloitusreikä	32 Ruuvitalta
11 Vipu	22 Sälöytymisen estolaite	33 Harjanpitimen kansi

TEKNISET TIEDOT

Malli	4331D	4333D
Iskun pituus	26 mm	26 mm
Suurin sahauskyky		
Puu	65 mm	65 mm
Pehmeä teräs	10 mm	10 mm
Alumiini	20 mm	20 mm
Iskua minuutissa	500 – 2 800	500 – 2 600
Kokonaispituus	280 mm	280 mm
Nettopaino	2,6 kg	2,9 kg
Nimellisjännite	12 V tasavirta	14,4 V tasavirta

- Jatkuvan tutkimus- ja kehitysohjelman vuoksi pidätämme oikeuden muuttaa tässä mainittuja teknisiä ominaisuuksia ilman ennakoilmoitusta.
- Huomautus: Tekniset ominaisuudet saattavat vaihdella eri maissa.

Turvaohjeita

Oman turvallisuutesi vuoksi lue mukana seuraavat turvaohjeet.

TÄRKEITÄ LATURIA JA AKKUA
KOSKEVIA TURVAOHJEITA

1. **SÄILYÄ NÄMÄ OHJEET** — Tämä ohjekirja sisältää tärkeitä akkulaturin turva- ja käyttöohjeita.
2. Lue kaikki (1) akkulaturia, (2) akkua ja (3) akkua käytävää laitetta koskevat ohjeet ja varoitusmerkinnät ennen akkulaturin käyttöä.
3. **VARO** — Lataa ainoastaan MAKITAN ladattaviksi tarkoitettuja akkuja välttääksesi loukkaantumisaan. Muun tyyppiset akut saattavat räjähtää aiheuttaen loukkaantumisen tai esinevahinkoja.
4. Pidä laite poissa sateesta ja lumesta.
5. Muun kuin valmistajan suositteleman tai myymän lisävarusteen käyttäminen saattaa aiheuttaa tulipalon, sähköiskun tai loukkaantumisen.
6. Vedä virtajohtoa irrottaessasi pistokkeesta äläkä johdosta, jotta pistoke ja johto eivät vioittuisi.
7. Pidä huolta, että johto on asetettu sellaiseen paikkaan, että sen päälle ei astuta, siihen ei kompastuta ja ettei se muutenkaan joudu rasitukselle tai vahingolle alttiiksi.
8. Älä käytä laturia vioittuneella johdolla tai pistokkeella — vaihda ne välittömästi uusiin.
9. Älä käytä laturia, jos siihen on kohdistunut voimakas isku, jos se on pudonnut tai muutoin vioittunut. Vie se valtuutetulle huoltomiehelle.

10. **Älä pura laturia tai akkua osiinsa. Jätä kaikki huolto- ja korjaustyöt valtuutetun huoltomiehen tehtäväksi. Jos laite kootaan väärin, voi seurauksena olla sähköisku tai tulipalo.**
11. **Irrota laturin virtajohto pistorasiasta ennen kaikkia kunnostustöitä ja puhdistusta välttääksesi sähköiskun. Virran katkaisu laitteesta ei vähennä tätä vaaraa.**
12. **Akkulataajaa ei ole tarkoitettu nuorten lasten eikä toimintaraajoitteisten käytettäväksi ilman valvontaa.**
13. **Nuorten lasten toimia tulee valvoa sen varmistamiseksi, että he eivät leiki akkulataajalla.**

LISÄÄ LATURIA JA AKKUA KOSKEVIA
TURVAOHJEITA

1. **Älä lataa akkua ALLE 10°C äläkä YLI 40°C lämpötilassa.**
2. **Älä käytä jänniteennostomuuntajaa, moottori-generaattoria äläkä tasavirtapistorasiaa.**
3. **Älä peitä äläkä tuki laturin ilma-aukkoja.**
4. **Suojaa akkuliittimet aina akkusuojauskella, kun akkua ei käytetä.**
5. **Älä kytke akkua oikosulkuun:**
 - (1) **Älä kosketa liittimiä millään sähköä johtavalla esineellä.**
 - (2) **Älä säilytä akkua samassa tilassa muiden metalliesineiden kuten naulojen, kolikoiden tms. kanssa.**
 - (3) **Pidä akku poissa vedestä ja sateesta. Akun joutuminen oikosulkuun voi aiheuttaa voimakkaan sähkövirtauksen, ylikuumenemista, mahdollisia palovammoja ja laitteen rikkoutumisen.**
6. **Älä säilytä konetta ja akkua tilassa, jonka lämpötila voi ylittää 50°C.**

- Älä hävitä akkua polttamalla, vaikka se olisi pahasti vioittunut tai kokonaan kulunut loppuun. Akku saattaa räjähtää tulesa.
- Varo pudottamasta, ravistamasta ja kolhimasta akkua.
- Älä lataa akkua laatikossa tai muussa suljetussa tilassa. Akku tulee sijoittaa latauksen ajaksi tilaan, jossa on hyvä ilmanvaihto.
- Varmista että terä koskettaa työkappaleeseen vasta koneen käynnistämisen jälkeen.
- Pidä kädet loitolla liikkuvista osista.
- Älä jätä konetta käyntiin. Käytä konetta vain pidellessäsi sitä tukevasti käsin.
- Pysäytä kone ja odota kunnes terä pysähtyy täysin, ennen terän nostamista työkappaleesta.
- Älä koske terään tai työkappaleeseen heti työstön jälkeen. Osat voivat olla erittäin lämpimiä ja polttaa ihoasi.

LISÄÄ KONETTA KOSKEVIA TURVAOHJEITA

- Huomaa, että tämä kone on aina toimintavalmiina, sillä sen ei tarvitse olla kytkettynä seinäpistorasiaan.
- Pitele konetta eristetyistä tartuntapinnoista, kun teet työtä, jossa leikkaava kone voi osua piilossa olevaan johtoon. Jännitteiseen johtoon osuminen saa koneen esillä olevat metalliosat jännitteisiksi ja aiheuttaa käyttäjälle sähköiskun.
- Vältä nauloihin sahaamista. Tarkista ja poista kaikki naulat työkappaleesta ennen työstöä.
- Älä sahaa onttoja putkia.
- Älä sahaa ylisuuria työkappaleita.
- Ennen sahaamista tarkista että työkappaleen takana on riittävästi tilaa ettei terä osu lattiaan, työpöytään, jne.
- Pitele konetta käsin tukevasti.

Lataaminen (Kuva 2)

Uusi akku ei ole ladattu. Se täytyy ladata ennen käyttöä. Lataa akku-mallisella akkulataaja.

Liitä akkulataaja sopivaan vaihtovirtalähteeseen. Latausvalo vilkkuu vihreänä. Työnnä akku paikalleen siten, että akun plus- ja miinusnavat osuvat samalle puolelle kuin niitä vastaavat akkulataaja merkinnät. Työnnä akku kokonaan aukkoon siten, että se lepää laturin aukon pohjalla. Kun akku on työnnetty paikalleen, latausvalon väri vaihtuu vihreästä punaiseksi ja lataaminen alkaa. Latausvalo palaa tasaisesti lataamisen aikana.

Kun latausvalon väri vaihtuu punaisesta vihreäksi, lataaminen on päättynyt. Jos akku jätetään laturiin lataamisen päätyttyä, laturi siirtyy "kestolatausmuodolle" (jatkuvalle lataukselle). Kun olet ladannut akun, irrota laturin virtajohto virtalähteestä. Katso latausaika alla olevasta taulukosta.

Akkutyyppi	Kapasiteetti (Ah)	Kennojen lukumäärä	Latausaika
1222 (Ni-cd)	2,0	10	Noin 45 min.
1234 (Ni-MH)	2,6	10	Noin 60 min.
1235 (Ni-MH)	3,0	10	Noin 70 min.
1422 (Ni-cd)	2,0	12	Noin 45 min.
1434 (Ni-MH)	2,6	12	Noin 60 min.
1435 (Ni-MH)	3,0	12	Noin 70 min.

VARO:

- Akkulataaja on tarkoitettu Makita-akun lataamiseen. Älä koskaan käytä sitä muihin tarkoituksiin tai muiden valmistajien akkujen lataamiseen.
- Kun lataat uuden akun tai akun, jota ei ole käytetty pitkään aikaan, se ei ehkä lataudu täyteen. Tämä on normaalia eikä se ole osoitus viasta. Akku voidaan ladata täyteen, kun se on purettu kokonaan ja ladattu muutaman kerran.
- Jos lataat akun, jota on juuri käytetty koneessa tai pitkään auringonvalolle tai kuumuudelle alttiina olleen akun, latausvalo saattaa vilkkua punaisena. Jos näin käy, odota hetken aikaa. Lataaminen alkaa, kun akku on jäähtynyt. Akku jäähtyy nopeammin, jos irrotat sen akkulataaja.
- Jos latausvalo vilkkuu vuorotellen vihreänä ja punaisena, on kyseessä häiriö eikä lataus ole mahdollista. Laturin tai akun liittimet ovat likaiset tai akku on loppuunkulunut tai vioittunut.

Heikkovirtalataus

Jos jätät akun laturiin estääksesi akun tyhjenemisen itsestään täyteen lataamisen jälkeen, laturi kytkeytyy heikkovirtalatausmuodolle, joka pitää akun jatkuvasti täydessä latauksessa.

SÄILYTÄ NÄMÄ OHJEET.

KÄYTTÖOHJEET

Akun kiinnittäminen ja irrottaminen (Kuva 1)

- Sammuta kone aina ennen akun kiinnittämistä ja irrottamista.
- Akku irrotetaan vetämällä se koneesta samalla kun painetaan akun molemmilla sivuilla olevia painikkeita.
- Akku kiinnitetään asettamalla akun kieleke kotelossa olevaan uraan ja sujauttamalla se paikalleen. Työnnä akku aina perille saakka, kunnes se napsahtaa paikalleen. Jos et toimi näin, akku saattaa vahingossa irrota koneesta aiheuttaen itsesi tai sivullisen loukkaantumisen.
- Älä työnnä akkua väkisin paikalleen. Jos akku ei liu'u helposti paikalleen, ei kiinnitystapa ole oikea.

Vinkkejä akun käyttöiän maksimoimiseksi

1. Lataa akku, ennen kuin se on kokonaan tyhjenyt.
Lopeta aina laitteella työskentely ja lataa akku, jos huomaat voiman vähenevän laitteesta.
2. Älä koskaan lataa täyteen ladattua akkua.
Liiallinen lataaminen lyhentää akun käyttöikää.
3. Lataa akku huoneenlämmössä 10°C – 40°C.
Anna kuumana akun viilentyä ennen sen lataamista.
4. Lataa nikkelimetalli-hybridiaakku, jos et käytä sitä yli kuuteen kuukauteen.

Sahanterän kiinnittäminen ja irrottaminen (Kuva 3 ja 4)

VARO:

- Varmista aina ennen terän kiinnittämistä ja irrottamista, että kone on sammutettu ja että virtajohto on irrotettu pistorasiasta.
- Poista aina terään ja/tai teränpitimeen tarttuneet lastut ja vieraat esineet. Jos et tee näin, terää ei mahdollisesti voida kiinnittää riittävän tiukasti, mikä voi aiheuttaa vakavan loukkaantumisen.
- Käytä voiteluainetta tai leikkuuöljyä terän ja ohjainrullan välissä sahatessasi rautaa, ladelmalautaa tms. Jos et toimi näin, terän ja ohjainrullan käyttöikä lyhenee tai terä voi rikkoutua vaarallisesti.

Terä kiinnitetään avaamalla teränpitimen pultti kuusio-avaimella. Työnnä terä teränpitimeen niin syvälle kuin se menee siten, että hampaat osoittavat eteenpäin. Varmista, että terän takareuna sopii ohjainrullaan. Varmista sitten terän kiinnitys kiristämällä pultti. Terä irrotetaan tekemällä kiinnitystoimet päinvastaisessa järjestyksessä.

HUOMAA:

Voitele ohjainrulla silloin tällöin.

Sahaustoiminnon valitseminen (Kuva 7)

Tätä laitetta voidaan käyttää pyöreiden muotojen tai suorien linjojen (ylös ja alas) sahaamiseen. Pyöreiden muotojen sahaustoiminto työntää terää eteenpäin sahauksen yhteydessä ja lisää huomattavasti sahausnopeutta. Vaihda sahaustoimintoa kääntämällä sahaustoiminnon vaihtokytkin halumaasi sahaustoimintoasentoon. Valitse sahaustoiminto alla olevan taulukon avulla.

Asento	Sahaustoiminto	Käyttötarkoitukset
O	Suoran linjan sahaaminen	Pehmeän teräksen, ruostumattoman teräksen ja muovin sahaaminen. Siistien sahausten tekeminen puuhun ja vaneriin.
I	Pienen pyöreän muodon sahaaminen	Pehmeän teräksen, alumiinin ja kovapuun sahaaminen.
II	Keskikokoisen pyöreän muodon sahaaminen	Puun ja vanerin sahaaminen. Alumiinin ja pehmeän teräksen nopea sahaaminen.
III	Suuren pyöreän muodon sahaaminen	Puun ja vanerin nopea sahaaminen.

Kytkimen käyttäminen (Kuva 8)

VARO:

Varmista aina ennen akun asettamista koneeseen, että liipaisinkytkin toimii moitteettomasti ja palautuu vapautettaessa "OFF"-asentoon. Kytkin vioittuu, jos painat liipaisinta voimakkaasti, kun lukituksen vapautuspainiketta ei ole painettu.

Liipaisimen tahattoman painamisen estämiseksi kone on varustettu lukituksen vapautuspainikkeella. Kone käynnistetään pitämällä lukituksen vapautuspainike alas painettuna ja painamalla liipaisinta. Kone pysähtyy vapautettaessa liipaisin.

Yleiskarallisen kuviosahanterän kiinnittäminen (Kuvat 5 ja 6)

VARO:

Varmista aina ennen terän kiinnittämistä ja irrottamista, että kone on sammutettu ja irrotettu pistorasiasta.

Jos käytät yleiskäyttöistä teränpidintä, voit käyttää muiden valmistajien teriä, joissa on kuvan mukainen terältään 6,35 mm leveä yleiskara. Työnnä terä teränpitimeen niin syvälle kuin se menee. Varmista, että terän karan pää osuu sisäaukon pohjaan ja kiristä ruuvi tiukasti kuusioavaimella.

Nopeudensäätökehä (Kuva 8)

Koneen nopeutta voidaan säätää vapaasti välillä 500 – 2 800 (Malli 4331D), 500 – 2 600 (Malli 4333D) iskua minuutissa kääntämällä nopeudensäätökehää. Nopeus kasvaa, kun kehää käännetään numeron 5 suuntaan. Vastaavasti nopeus pienenee, kun kehää käännetään numeron 1 suuntaan. Valitse sahattavalle työkalulle sopiva nopeus alla olevasta taulukosta. Oikea nopeus saattaa kuitenkin vaihdella työkalulle tyypin ja paksumuuden mukaan. Yleisesti ottaen suurempi nopeus mahdollistaa työkalulle nopeamman sahaamisen, mutta lyhentää terän käyttöikää.

Sahattava työkappale	Säätökehän lukema
Puu	3–5
Pehmeä teräs	3–5
Ruostumaton teräs	3–4
Alumiini	2–3
Muovit	1–4

VARO:

Nopeudensäätökehää voidaan kääntää ainoastaan numeroon 5 saakka ja takaisin numeron 1. Älä pakota kehää numeron 5 tai 1 ohi. Muutoin nopeudensäätötoiminto saattaa lakata toimimasta.

Käyttäminen (Kuva 9)

VARO:

- Tarkista terän kunnollinen kiinnitys huolellisesti ennen kuin asetat akun koneeseen.
- Pidä alusta aina suorassa työkappaletta vasten. Jos et toimi näin, seurauksena voi olla vakavaan loukkaantumiseen johtava terän rikkoutuminen.

Käynnistä kone ja odota, kunnes terä saavuttaa täyden nopeutensa. Aseta sitten alusta tasaisesti työkappaletta vasten ja liikuta konetta kevyesti eteenpäin aiemmin merkittämääsi sahauslinjaa pitkin. Kun sahaat kaaria, liikuta konetta hitaasti.

Viistosahaus (Kuvat 10 ja 11)

VARO:

Poista akku koneesta aina ennen kaikkien säätöjen tekemistä.

Alustaa kallistamalla voit tehdä viistosahausta missä tahansa kulmassa (vasemmalle tai oikealle) 0° ja 45° välillä. Löysennä alustan takana oleva ruuvi kuusioavaimella. Siirrä alustaa siten, että ruuvi tulee alustassa olevan ristinmuotoisen aukon keskelle. Kallista alusta halua maasi kulmaan. Moottorikotelon reuna ilmaisee kulman asteikolla. Tarkista terän takareunan ja ohjainrullan välinen kosketus ja varmista sitten alustan kiinnitys kiristämällä ruuvi.

Liitosreunan sahaaminen (Kuva 12)

Löysennä alusta takana oleva ruuvi kuusioavaimella ja siirrä sitten alusta kokonaan taakse. Varmista sitten alustan kiinnitys kiristämällä ruuvi.

Aukkosahaus (Kuvat 13 ja 14)

Kappaleen keskelle voidaan sahata aukko kahdella eri tavalla A tai B.

- Aloituseriän poraaminen: Kun haluat sahata kappaleen keskelle ilman tulouraa reunalta, poraa halkaisijaltaan yli 12 mm:n aloitusreikä. Aseta terä tähän reikään aloittaaksesi sahaamisen.
- Pistosahaus: Aloitusreikää eikä tulouraa tarvita, jos toimit seuraavasti.
 1. Kallista konetta ylöspäin alustan etureunasta siten, että terän kärki tulee juuri ja juuri työkappaleen pinnan yläpuolelle.
 2. Paina konetta siten, että alustan etureuna ei liiku, kun käynnistät koneen ja lasket koneen takaosaa hitaasti.
 3. Kun terä työnny työkappaleen läpi, laske koneen alusta hitaasti työkappaleen pintaa vasten.

4. Sahaa loppuun tavalliseen tapaan.

Reunojen viimeistely (Kuva 15)

Viimeistele reunat tai säädä mittoja ajamalla terään kevyesti sahausjäljen reunoja pitkin.

Metallin sahaaminen

Käytä aina sopivaa lastuamisnestettä (leikkuuöljyä) sahatessasi metallia. Jos et toimi näin, terä kuluu huomattavasti. Työkappaleen pohjapuoli voidaan rasvata lastuamisnesteen käytön sijaan.

Sälöytymisen estolaite (Kuva 16)

Käytä sälöytymisen estolaitetta vähentääksesi työkappaleen pinnan sälöytymisriskiä. Aseta se alustaan alakautta siten, että se ympäröi teräin sivut.

Muovinen alustalevy (lisävaruste) (Kuva 17)

Käytä muovista alustalevyä sahatessasi koristeellista vaneria, muovina tms. Tämä suojaa herkkiä pintoja vioittumiselta. Korvaa alustalevy irrottamalla neljä ruuvia kuusioavaimella.

Halkaisuohjain (valinnainen lisävaruste)

(Kuva 18)

Kun sahaat toistuvasti alle 150 mm levyisiä kappaleita, saat nopeasti siistin, puhtaan ja suoran sahausjäljen käyttämällä halkaisuohjainta (ohjaustulkkia). Halkaisuohjain kiinnitetään löysentämällä alustan etuosassa oleva ruuvi. Aseta halkaisuohjain paikalleen ja kiristä ruuvi.

Pyöröohjain (valinnainen lisävaruste) (Kuva 19)

Pyöröohjaimen käyttö takaa puhtaan ja tasaisen kehäsa-hauksen (halkaisija alle 200 mm). Aseta tappi keskireiän läpi ja kiinnitä se paikalleen kierteisellä nupilla. Siirrä koneen alusta kokonaan eteen. Kiinnitä sitten pyöröohjain alustaan samalla tavalla kuin halkaisuohjain (ohjaustulkki).

Pölynkeräys (Kuva 20, 21 ja 22)

Suosittelemme imuripään käyttöä, jotta sahaustuloksesta tulisi siisti. Kiinnitä muovisuojus koneeseen asettamalla sovitamalla se koneessa oleviin aukkoihin. Imuripää kiinnitetään koneeseen työntämällä imuripään koukku alustassa olevaan reikään. Imuripää voidaan asentaa joko alustan vasemmalle tai oikealle puolelle. Liitä sitten Makitan pölynimuri imuripäähän.

HUOLTO

VARO:

Varmistaudu aina ennen kaikkia koneelle suoritettavia töitä, että kone on pysäytetty ja akku irrotettu.

Hiilien vaihto (Kuva 23 ja 24)

Hiilet on vaihdettava kun ne ovat kuluneet kulumisrajaan. Hiilet on vaihdettava aina parittain.

Laitteen käyttövarmuuden ja turvallisuuden vuoksi korjaukset ja muut huolto- ja säätötöyt saa suorittaa ainoastaan Makitan hyväksymä huoltopistet.

LISÄVARUSTEET

VARO:

- Näitä lisävarusteita ja -laitteita suositellaan käytettäväksi tässä ohjekirjassa mainitun Makitan koneen kanssa. Minkä tahansa muun lisävarusteen tai -laitteen käyttäminen voi aiheuttaa loukkaantumisvaaran. Käytä lisävarusteita ja -laitteita vain niiden käyttötarkoituksen mukaisesti.

Jos tarvitset yksityiskohtaisempia tietoja lvarusteista, ota yhteys paikalliseen Makitan huoltoon.

- Muovinen alustalevy
- Kuusioavain 3
- Pyöröohjainsarja
- Säilytymisen estolaite
- Muovisuojus
- Letku 19 - 2,5
- Kuviosahan terä
- Eri tyyppisiä Makitan alkuperäisiä akkuja ja lataajia
- Halkaisuhjain (ohjaustulkki)
- Imuripää

Περιγραφή γενικής άποψης

1	Πλήκτρο	11	Μοχλός	25	Σπειροειδές πλήκτρο
2	Κασέτα μπαταρίας	12	Καντράν ρύθμισης ταχύτητας	26	Κυκλικός οδηγός
3	Φωτάκι φόρτισης	13	Κουμπί απασφάλισης	27	Καρφάκι
4	Φορτιστής	14	Σκανδάλη διακόπτης	28	Ταιριάζει στην εγκοπή
5	Χαλάρωμα	15	Βάση	29	Πλαστικό κάλυμμα
6	Εξαγ. κλειδί	16	Γραμμή κοπής	30	Ρύγχος
7	Βίδα	17	Βίδα	31	Οριακό σημάδι
8	Λάμα παλινδρομικού πριονιού	18	Σχισμή σε σχήμα σταυρού	32	Κατσαβίδι
9	Κύλινδρος	19	Άκρο του θαλάμου κινητήρα	33	Καπάκι θήκης καρβουνάκι
10	Το άκρο του στελέχους της λάμας θα πρέπει να φτάσει μέχρι τον πάτο της εσωτερικής σχισμής.	20	Διαβαθμίσεις		
		21	Τρύπα εκκίνησης		
		22	Συσκευή αντισχισίματος		
		23	Πλάκα πλαστικής βάσης		
		24	Κανόνας οδηγός		

ΤΕΧΝΙΚΑ ΧΑΡΑΚΤΗΡΙΣΤΙΚΑ

Μοντέλο	4331D	4333D
Μήκος μίας κοπής	26 χιλ.	26 χιλ.
Μέγιστη δυνατότητα κοπής		
Ξύλο	65 χιλ.	65 χιλ.
Μαλακός χάλυβας	10 χιλ.	10 χιλ.
Αλουμίνιο	20 χιλ.	20 χιλ.
Κοψίματα ανά λεπτό	500–2.800	500–2.600
Συνολικό μήκος	280 χιλ.	280 χιλ.
Καθαρό βάρος	2,6 Χγρ.	2,9 Χγρ.
Καθορισμένο βολτάζ	D.C. 12 V	D.C. 14,4 V

- Λόγω του συνεχιζόμενου προγράμματος έρευνας και ανάπτυξης, οι παρούσες προδιαγραφές υπόκεινται σε αλλαγή χωρίς προειδοποίηση.
- Παρατήρηση: Τα τεχνικά χαρακτηριστικά μπορεί να διαφέρουν από χώρα σε χώρα.

Υποδείξεις ασφάλειας

Για την προσωπική σας ασφάλεια, ανατρέξτε στις εσωκλειστές οδηγίες ασφάλειας.

ΣΗΜΑΝΤΙΚΕΣ ΟΔΗΓΙΕΣ ΑΣΦΑΛΕΙΑΣ ΓΙΑ ΣΥΣΚΕΥΗ ΦΟΡΤΙΣΗΣ ΚΑΙ ΜΠΑΤΑΡΙΑ

1. **ΦΥΛΑΞΕΤΕ ΑΥΤΕΣ ΤΙΣ ΟΔΗΓΙΕΣ** — Αυτό το εγχειρίδιο περιέχει σημαντικές οδηγίες ασφαλείας και χρήσης της συσκευής φόρτισης.
2. Πριν χρησιμοποιήσετε τη συσκευή φόρτισης, διαβάστε όλες τις οδηγίες και προειδοποιητικά σημεία (1) στην συσκευή φόρτισης, (2) στη μπαταρία, και (3) στη συσκευή που χρησιμοποιεί την μπαταρία.
3. **ΠΡΟΣΟΧΗ** — Για να μειωθεί ο κίνδυνος τραυματισμού, φορτίζετε μόνο μπαταρίες ΜΑΚΙΤΑ επαναφορτιζόμενου τύπου. Μπαταρίες άλλου τύπου μπορεί να εκραγούν, πληγώνοντας σας και προκαλώντας ζημιές.
4. Μην εκθέσετε τη συσκευή φόρτισης σε βροχή ή χιόνι.
5. Χρήση εξαρτήματος που δεν συστήνεται ή δεν πωλείται από τον κατασκευαστή της συσκευής φόρτισης μπορεί να προκαλέσει φωτιά, ηλεκτρικό σοκ, ή να σας τραυματίσει.

6. Για να μειωθεί ο κίνδυνος ζημιάς στην πρίζα και στο καλώδιο, όταν αποσυνδέετε τη συσκευή φόρτισης από την παροχή ρεύματος, πιάνετε και τραβάτε από την πρίζα και όχι από το καλώδιο.
7. Βεβαιωθείτε ότι το καλώδιο βρίσκεται σε θέση που ούτε θα το πατήσουν ούτε θα σκοντάψουν πάνω του ούτε μπορεί να πάθει ζημιά με οποιοδήποτε τρόπο.
8. Μη χρησιμοποιείτε τη συσκευή φόρτισης αν το καλώδιο ή η πρίζα της έχουν πάθει ζημιά — αντικαταστήστε τα αμέσως.
9. Μη χρησιμοποιείτε την συσκευή σε περίπτωση που έχει υποστεί δυνατό κτύπημα, έχει πέσει κάτω, ή έχει πάθει οποιαδήποτε ζημιά. Αναθέστε την επισκευή σε εξουσιοδοτημένο τεχνίτη.
10. Μην αποσυναρμολογείτε τη συσκευή φόρτισης ή τη μπαταρία. Πάρτε την σε εξουσιοδοτημένο τεχνίτη όταν χρειάζεται επισκευή ή σέρβις. Λανθασμένη επανασυναρμολόγηση μπορεί να οδηγήσει σε κίνδυνο ηλεκτρικού σοκ ή φωτιάς.
11. Για να μειωθεί ο κίνδυνος ηλεκτρικού σοκ, αποσυνδέστε τη συσκευή φόρτισης από την παροχή ρεύματος πριν κάνετε οποιαδήποτε συντήρηση ή καθαρισμό της. Μόνο με το να σβήσετε τη συσκευή αυτός ο κίνδυνος δε μειώνεται.
12. Ο φορτιστής μπαταρίας δεν προορίζεται για χρήση από μικρά παιδιά ή άτομα με ασαφή συμπεριφορά χωρίς επίβλεψη.
13. Τα μικρά παιδιά θα πρέπει να επιβλέπονται για να διασφαλισθεί ότι δεν παίζουν με τον φορτιστή μπαταρίας.

ΕΠΙΠΡΟΣΘΕΤΟΙ ΚΑΝΟΝΕΣ ΑΣΦΑΛΕΙΑΣ ΓΙΑ ΣΥΣΚΕΥΗ ΦΟΡΤΙΣΗΣ ΚΑΙ ΜΠΑΤΑΡΙΑ

1. Μη φορτίζετε τη μπαταρία όταν η θερμοκρασία είναι ΚΑΤΩ από 10°C ή ΠΑΝΩ από 40°C.
2. Μη χρησιμοποιείτε ποτέ μετασχηματιστή ανύψωσης τάσης, γεννήτρια, ή υποδοχή συνεχούς ρεύματος.
3. Μην αφήσετε οτιδήποτε να καλύψει ή να μπλοκάρει της οπές εξαερισμού του φορτιστή.
4. Πάντοτε να έχετε τους πόλους της μπαταρίας καλυμμένους με το κάλυμμα της όταν δεν την χρησιμοποιείτε.
5. Μη βραχυκυκλώσετε την κασέτα μπαταρίας:
 - (1) Μην αγγίζετε τους πόλους με κανένα αγώγιμο υλικό.
 - (2) Αποφύγετε την αποθήκευση της κασέτας μπαταρίας σε δοχείο με άλλα μεταλλικά αντικείμενα όπως καρφιά, νομίσματα, κλπ.
 - (3) Μην εκθέτετε την κασέτα μπαταρίας σε νερό ή σε βροχή.Ενα βραχυκύκλωμα μπαταρίας μπορεί να προκαλέσει μεγάλη ροή ρεύματος, υπερθέρμανση, πιθανά εγκαύματα και ακόμη μηχανική βλάβη.
6. Μη φυλάσσετε τη μηχανή και τη μπαταρία σε μέρη που η θερμοκρασία μπορεί να φθάσει ή να ξεπεράσει τους 50°C.
7. Μη κάψετε την μπαταρία ακόμα και αν έχει πάθει σοβαρές ζημιές ή έχει εντελώς φθαρεί. Η μπαταρία μπορεί να εκραγεί στην φωτιά.
8. Προσέχετε να μη ριζέτε κάτω, ταρακουνήσετε ή χτυπήσετε τη μπαταρία.
9. Μη φορτίσετε τη μπαταρία μέσα σε ένα κουτί ή δοχείο οποιουδήποτε είδους. Η μπαταρία πρέπει να τοποθετηθεί σε ένα καλά εξαεριζόμενο χώρο κατά τη διάρκεια της φόρτισης.

ΕΠΙΠΡΟΣΘΕΤΕΣ ΟΔΗΓΙΕΣ ΑΣΦΑΛΕΙΑΣ ΓΙΑ ΤΟ ΜΗΧΑΝΗΜΑ

1. Έχετε υπόψη σας ότι το μηχανήμα αυτό βρίσκεται πάντα σε κατάσταση λειτουργίας γιατί δεν χρειάζεται να συνδεθεί στο ρεύμα.
2. Κρατάτε το μηχανήμα από τις μονωμένες επιφάνειες όταν εκτελείτε μια εργασία που το μηχανήμα κοπής ίσως έρθει σε επαφή με ένα κρυμμένο καλώδιο. Επαφή με ένα ηλεκτροφόρο καλώδιο θα καταστήσει ηλεκτροφόρο και τα εκτεθειμένα μεταλλικά τμήματα του μηχανήματος και θα προκαλέσει ηλεκτροπληξία στον χειριστή.

Φόρτιση (Εικ. 2)

Η καινούργια μπαταρία σας δεν είναι φορτισμένη. Θα χρειαστεί να την φορτίσετε πριν τη χρησιμοποιήσετε. Χρησιμοποιήστε το μοντέλο φορτιστής μπαταρίας για να φορτίσετε τη κασέτα μπαταρίας.

Βάλτε το φορτιστή μπαταρίας σας στην κατάλληλη παροχή εναλασόμενου ρεύματος. Το φωτάκι φόρτισης θα αναβοβήγει σε πράσινο χρώμα. Βάλτε τη κασέτα μπαταρίας έτσι ώστε ο θετικός και αρνητικός πόλος στη κασέτα μπαταρίας να βρίσκονται στις ίδιες πλευρές όπως τα αντίστοιχα σημάδια στον φορτιστή μπαταρίας. Βάλτε την κασέτα πλήρως μέσα στην υποδοχή έτσι ώστε να καθήσει στο πάτωμα της υποδοχής του φορτιστή. Όταν η κασέτα μπαταρίας εισαχθεί το φωτάκι φόρτισης θα αλλάξει από πράσινο σε κόκκινο και η φόρτιση θα αρχίσει. Το φωτάκι φόρτισης θα παραμείνει σταθερά αναμμένο κατά τη διάρκεια της φόρτισης. Όταν το λαμπάκι φόρτισης αλλάξει από πράσινο σε κόκκινο, ο κύκλος φόρτισης έχει συμπληρωθεί. Εάν αφήσετε την κασέτα μπαταρίας στον φορτιστή μετά την συμπλήρωση του κύκλου φόρτισης, ο φορτιστής θα αλλάξει στην διαμόρφωση "στιγμιαία φόρτιση (φόρτιση συντήρησης)". Μετά τη φόρτιση αποσυνδέστε το φορτιστή από τη παροχή ρεύματος. Ανατρέξτε στον παρακάτω πίνακα για το χρόνο φόρτισης.

3. Αποφύγετε τη κοπή καρφιών. Ελέγξτε και απομακρύνετε όλα τα καρφιά από την περιοχή εργασίας.
4. Μη κόβετε κοίλο σωλήνα.
5. Μη κόβετε υπερμεγέθη αντικείμενα.
6. Ελέγξτε για την κατάλληλη απόσταση κάτω από το αντικείμενο εργασίας πριν κόψετε έτσι ώστε η λεπίδα δεν θα κτυπήσει το πάτωμα, πάγκο εργασίας κλπ.
7. Κρατάτε το μηχανήμα σταθερά
8. Βεβαιωθείτε ότι η λάμα δεν αγγίζει το αντικείμενο εργασίας πριν ανάψετε το διακόπτη.
9. Κρατάτε τα χέρια σας μακριά από τα περιστρεφόμενα μέρη.
10. Μην αφήνετε το μηχανήμα αναμμένο. Βάζετε σε λειτουργία το μηχανήμα μόνο όταν το κρατάτε στα χέρια.
11. Πάντοτε σβήνετε το μηχανήμα και περιμένετε τη λάμα να σταματήσει τελείως πριν αφαιρέσετε τη λάμα από το αντικείμενο εργασίας.
12. Μην αγγίζετε την αιχμή ή το αντικείμενο εργασίας αμέσως μετά τη λειτουργία, γιατί μπορεί να είναι εξαιρετικά θερμά και να σας προκαλέσουν εγκαύματα.

ΦΥΛΑΞΕΤΕ ΑΥΤΕΣ ΤΙΣ ΟΔΗΓΙΕΣ.

ΟΔΗΓΙΕΣ ΧΡΗΣΗΣ

Τοποθέτηση ή αφαίρεση της κασέτας μπαταρίας (Εικ. 1)

- Πάντοτε σβήνετε το μηχανήμα πριν τοποθετήσετε ή αφαιρέσετε την κασέτα μπαταρίας.
- Για να αφαιρέσετε τη κασέτα μπαταρίας, τραβήχτε τη έξω από το μηχανήμα ενώ πιέζετε τα πλήκτρα και στις δύο πλευρές της κασέτας.
- Για να τοποθετήσετε τη κασέτα μπαταρίας, ευθυγραμμίστε τη γλώσσα στη κασέτα μπαταρίας με την εγκοπή στο περιβλήμα και σύρετε τη στη θέση της. Πάντα βάζετε τη βαθιά μέσα μέχρι να κλειδώσει στη θέση της με ένα μικρό κλικ. Διαφορετικά, μπορεί να πέσει έξω από το μηχανήμα, και να τραυματίσει εσάς ή κάποιον άλλο.
- Μη βάζετε δύναμη όταν τοποθετείτε την κασέτα μπαταρίας. Εάν η κασέτα δεν εισέρχεται με ευκολία, δεν είναι τοποθετημένη σωστά.

Τύπος μπαταρίας	Χωρητικότητα (Ah)	Αριθμός κυψελών	Χρόνος φόρτισης
1222 (Ni-cd)	2,0	10	Περίπου 45 λ.
1234 (Ni-MH)	2,6	10	Περίπου 60 λ.
1235 (Ni-MH)	3,0	10	Περίπου 70 λ.
1422 (Ni-cd)	2,0	12	Περίπου 45 λ.
1434 (Ni-MH)	2,6	12	Περίπου 60 λ.
1435 (Ni-MH)	3,0	12	Περίπου 70 λ.

ΠΡΟΣΟΧΗ:

- Το μοντέλο φορτιστής μπαταρίας είναι για φόρτιση κασέτας μπαταρίας Μάκιτα. Ποτέ μη το χρησιμοποιήσετε για άλλους σκοπούς ή για φόρτιση μπαταριών άλλων κατασκευαστών.
- Όταν φορτίζετε μία καινούργια κασέτα μπαταρίας, ή μία κασέτα μπαταρίας που δεν έχει χρησιμοποιηθεί για πολύ καιρό, μπορεί να μη δέχεται πλήρη φόρτιση. Αυτή είναι μία κανονική κατάσταση και δεν σημαίνει ότι υπάρχει πρόβλημα. Μπορείτε να επαναφορτίσετε τη κασέτα μπαταρίας πλήρως αφού την εκφορτίσετε τελείως και την επαναφορτίσετε δυο φορές.
- Εάν φορτίζετε μία κασέτα μπαταρίας από ένα μηχανήμα που μόλις χρησιμοποιήθηκε ή μία κασέτα μπαταρίας που έχει εκθεθεί στο άμεσο ηλιακό φως ή σε ζεστή για μεγάλο χρονικό διάστημα, το φωτάκι φόρτισης μπορεί να αναβοσβήνει σε κόκκινο χρώμα. Εάν αυτό συμβεί, περιμένετε για λίγο. Η φόρτιση θα αρχίσει αφού η κασέτα μπαταρίας κρυώσει. Η κασέτα μπαταρίας θα κρυώσει γρηγορότερα αν αφουρέδετε την κασέτα μπαταρίας από τον φορτιστή μπαταρίας.
- Εάν το φωτάκι φόρτισης αναβοσβήνει εναλλακτικά με πράσινο και κόκκινο χρώμα, ένα πρόβλημα υπάρχει και η φόρτιση δεν είναι δυνατή. Οι πόλοι του φορτιστή ή της κασέτας μπαταρίας είναι βουλωμένοι από τη σκόνη ή κασέτα μπαταρίας είναι φθαρμένη ή έχει βλάβη.

Στιγμιαία φόρτιση (Φόρτιση συντήρησης)

Εάν έχετε αφήσει την κασέτα μπαταρίας στον φορτιστή για να προλάβετε αυθόρμητη αποφόρτιση μετά από πλήρη φόρτιση, ο φορτιστής θα αλλάξει στη διαμόρφωση της “στιγμιαίας φόρτισης” (φόρτιση συντήρησης) και θα κρατήσει την κασέτα μπαταρίας φρέσκια και πλήρως φορτισμένη.

Συμβουλές για την διατήρηση της μέγιστης ζωής της μπαταρίας

1. Αλλάξτε την κασέτα μπαταρίας πριν αποφορτιστεί τελείως. Πάντα σταματήστε την λειτουργία του μηχανήματος και φορτίστε την κασέτα μπαταρίας όταν παρατηρήσετε μειωμένη δύναμη του μηχανήματος.
2. Ποτέ μην επαναφορτίζετε μια πλήρως φορτισμένη κασέτα μπαταρίας. Η υπερφόρτιση μικραίνει την ωφέλιμη ζωή της μπαταρίας.
3. Φορτίστε την κασέτα μπαταρίας σε θερμοκρασία δωματίου στους 10°C–40°C. Αφήστε μια ζεστή κασέτα μπαταρίας να κρυώσει προτού την φορτίσετε.
4. Φορτίστε την κασέτα μπαταρίας Νικελίου Μεταλλικού Υδριδίου όταν δεν την έχετε χρησιμοποιήσει για έξι μήνες.

Τοποθέτηση ή αφαίρεση λαμών πριονιού (Εικ. 3 και 4)

ΠΡΟΣΟΧΗ:

- Πάντοτε βεβαιώνετε ότι το μηχανήμα είναι σβηστό και βγαλμένο από το ρεύμα πριν τοποθετήσετε ή αφαιρέσετε τη λάμα.
- Πάντοτε καθαρίστε όλα τα προσκολλημένα στη λάμα ή στο στήριγμα της λάμας πριονιδία ή ξένα υλικά. Εάν δεν γίνει αυτό, μπορεί να γίνει αιτία για ανεπαρκές σφίξιμο της λάμας και να καταλήξει σε σοβαρό τραυματισμό.
- Χρησιμοποιήστε ένα λιπαντικό ή ένα υγρό κοπής μεταξύ της λάμας και του κυλίνδρου όταν κόβετε σίδερο ή συστοιχίες πινάκων κ.τ.λ. Μη συμμόρφωση με την παραπάνω υπόδειξη θα μειώσει την ωφέλιμη ζωή της λάμας και του κυλίνδρου και πιθανώς να οδηγήσει σε επικίνδυνη θραύση της λάμας.

Για να τοποθετήσετε τη λάμα, χαλαρώστε το μπουλόνι στο στήριγμα της λάμας με το εξαγωνικό κλειδί. Με τα δόντια της λάμας να κοιτούν προς τα εμπρός, βάλτε τη λάμα όσο πιο βαθιά πάει μέσα στο στήριγμα της λάμας. Βεβαιώστε ότι η πίσω άκρη της λάμας προσαρμόζεται μέσα στον κύλινδρο. Μετά σφίξτε το μπουλόνι για να στερεώσετε τη λάμα. Για να αφαιρέσετε τη λάμα, ακολουθείστε την διαδικασία τοποθέτησης αντιστρόφα.

ΠΑΡΑΤΗΡΗΣΗ:

Περιστασιακά λαπαίνετε τον κύλινδρο.

Τοποθέτηση της λάμας παλινδρομικού πριονιού σε παγκόσμιο στέλεχος (Εικ. 5 και 6)

ΠΡΟΣΟΧΗ:

Πάντοτε να είστε σίγουροι ότι το μηχάνημα είναι σβηστό και αποσυνδεδεμένο από την παροχή ηλεκτρικού ρεύματος προτού τοποθετήσετε ή απομακρύνετε την λάμα. Εάν το παγκόσμιο στέλεχος χρησιμοποιείται, μπορείτε να χρησιμοποιήσετε λάμες άλλων κατασκευαστών με ένα παγκόσμιο στέλεχος όπως αυτό που φαίνεται στην εικόνα, με πλάτος λάμας 6.35 χιλ. Βάλτε την λάμα στον συγκρατητή της όσο βαθειά πηγαίνει. Σιγουρευτείτε ότι το άκρο του στελέχους της αιχμής φτάνει μέχρι τον πάτο της εσωτερικής σχισμής και έπειτα σφίξτε την βίδα καλά με το εξαγωνικό κλειδί.

Επιλογή τρόπου κοπής (Εικ. 7)

Αυτό το μηχάνημα μπορεί να λειτουργήσει σε κίνηση κοπής περιστροφική ή ευθεία γραμμή (επάνω και κάτω). Η περιστροφική κίνηση κοπής ωθεί την λάμα προς τα εμπρός στην γραμμή κοπής και προοδευτικώς αυξάνει την ταχύτητα κοπής.

Για να αλλάξετε τον τρόπο κοπής, απλώς γυρίστε τον λεβιέ αλλαγής τρόπου κοπής στην επιθυμητή θέση τρόπου κοπής. Αναφερθείτε στον παρακάτω πίνακα για να επιλέξετε τον τρόπο κοπής.

Θέση	Κίνηση κοπής	Εφαρμογές
O	Κίνηση κοπής ευθεία γραμμή	Για κοπή μαλακού χάλυβα, ανοξειδωτού χάλυβα και πλαστικών. Για καθαρές κοπές σε ξύλο και καπλαμά.
I	Κίνηση κοπής μικρή περιστροφική	Για κοπή μαλακού χάλυβα, αλουμινίου και σκληρού ξύλου.
II	Κίνηση κοπής μέτρια περιστροφική	Για κοπή ξύλου και καπλαμά. Για γρήγορη κοπή αλουμινίου και μαλακού χάλυβα.
III	Κίνηση κοπής μεγάλη περιστροφική	Για γρήγορη κοπή ξύλου και καπλαμά.

Λειτουργία δράσης (Εικ. 8)

ΠΡΟΣΟΧΗ:

Προτού τοποθετήσετε την κασέτα μπαταρίας στο μηχάνημα, πάντοτε να ελέγχετε ότι η σκανδάλη διακόπτης λειτουργεί κανονικά και επιστρέφει στη θέση "OFF" όταν απελευθερωθεί. Εάν τραβήξετε την σκανδάλη πολύ δυνατά όταν το κουμπί απασφάλισης δεν πιέζεται μπορεί να προκαλέσει καταστροφή του διακόπτη.

Για να προλάβετε η σκανδάλη διακόπτης από το να πατηθεί κατά λάθος, ένα κουμπί απασφάλισης παρέχεται. Για να ξεκινήσει το μηχάνημα, αποσυμπίστε το κουμπί απασφάλισης και τραβήξτε τη σκανδάλη διακόπτη. Απελευθερώστε τη σκανδάλη διακόπτη για να σταματήσει.

Καντράν ρύθμισης ταχύτητας (Εικ. 8)

Η ταχύτητα του μηχανήματος μπορεί να ρυθμιστεί απεριορίστα μεταξύ 500 και 2.800 (Μοντέλο 4331D), 500 και 2.600 (Μοντέλο 4333D) διαδρομών το λεπτό με περιστροφή του καντράν ρύθμισης. Μεγαλύτερη ταχύτητα επιτυγχάνεται όταν το καντράν περιστραφεί στη διεύθυνση του νούμερου 5; χαμηλότερη ταχύτητα επιτυγχάνεται όταν το καντράν περιστραφεί στη διεύθυνση του νούμερου 1. Αναφερθείτε στον παρακάτω πίνακα για να επιλέξετε την κατάλληλη ταχύτητα για κατεργαζόμενο κομμάτι που πρόκειται να κοπεί. Ωστόσο, η κατάλληλη ταχύτητα μπορεί να διαφέρει ανάλογα με τον τύπο ή το πάχος του κατεργαζόμενου κομματιού. Γενικά, μεγαλύτερες ταχύτητες θα σας επιτρέψουν να κόψετε κατεργαζόμενα κομμάτια γρηγορότερα αλλά θα ελαττωθεί η διάρκεια λειτουργίας της λάμας.

Κομμάτι προς κοπή	Αριθμός στο καντράν
Ξύλο	3-5
Μαλακός Χάλυβας	3-5
Ανοξειδωτός Χάλυβας	3-4
Αλουμίνιο	2-3
Πλαστικά	1-4

ΠΡΟΣΟΧΗ:

Το καντράν ρύθμισης ταχύτητας μπορεί να περιστραφεί μόνο μέχρι το 5 και πίσω μέχρι το 1. Μην το ζορίζετε να ξεπεράσει το 5 ή 1, διαφορετικά η δυνατότητα ρύθμισης ταχύτητας μπορεί να μη λειτουργεί μετά.

Λειτουργία (Εικ. 9)

ΠΡΟΣΟΧΗ:

- Ελέγξτε προσεκτικά ότι η λάμα είναι επαρκώς ασφαλισμένη στη θέση της πριν βάλετε την μπαταρία στο μηχανήμα.
- Πάντοτε να κρατάτε τη βάση επίπεδη με το κομμάτι εργασίας. Εάν δεν κάνετε έτσι ίσως προκληθεί σπάσιμο της λάμας και συνεπώς σοβαρός τραυματισμός.

Ανάψτε το μηχανήμα και περιμένετε μέχρι το μηχανήμα να πετύχει την πλήρη ταχύτητα. Έπειτα τοποθετείτε το μηχανήμα επίπεδα στο κομμάτι εργασίας και μετακινείτε το μηχανήμα προς τα εμπρός κατά μήκος της γραμμής κοπής που σημειώσατε προηγουμένως. Όταν υπάρχει καμπύλη προωθείστε το μηχανήμα σιγά.

Λοξή κοπή (Εικ. 10 και 11)

ΠΡΟΣΟΧΗ:

Πάντοτε να απομακρύνετε την μπαταρία από το μηχανήμα πριν κάνετε οποιαδήποτε ρύθμιση.

Με την βάση σε κλίση, μπορείτε να κάνετε λοξές κοπές σε οποιαδήποτε γωνία μεταξύ 0° και 45° (αριστερά ή δεξιά).

Χαλαρώστε την βίδα στο πίσω μέρος της βάσης με το εξαγ. κλειδί. Μετακινείτε τη βάση έτσι ώστε η βίδα να είναι τοποθετημένη στο κέντρο της σχισμής με σχήμα σταυρού στην βάση. Δώστε κλίση στην βάση μέχρι να επιτευχθεί η επιθυμητή γωνία. Το άκρο του θαλάμου του κινητήρα την λοξή γωνία σε διαβαθμίσεις. Ελέγξτε την επαφή μεταξύ του πίσω άκρου και της λάμας και του κυλίνδρου και έπειτα σφίξτε τη βίδα για να ασφαλίσετε τη βάση.

Εμπρόσθιος ισόπεδος κοπές (Εικ. 12)

Χαλαρώστε την βίδα στο πίσω μέρος της βάσης με το εξαγ. κλειδί και έπειτα μετακινείτε την βάση προς τα πίσω. Έπειτα σφίξτε την βίδα για να ασφαλίσετε την βάση.

Αποκοπές (Εικ. 13 και 14)

Αποκοπές μπορούν να γίνουν με οποιαδήποτε από τις δύο μεθόδους Α ή Β.

A) Με τρύπηση μια τρύπας εκκίνησης: Για εσωτερικές αποκοπές χωρίς μια κοπή εισαγωγής από μια άκρη, προτρυπήστε μια τρύπα εκκίνησης μεγαλύτερη από 12 χιλ. σε διάμετρο. Τοποθετείστε τη λάμα σε αυτή την τρύπα και και ξεκινήστε την κοπή.

B) Κόψιμο βύθισης: Δεν χρειάζεται να κάνετε μια αρχική τρύπα ή μια κοπή εισαγωγής εάν κάνετε προσεκτικά τα παρακάτω.

1. Δώστε κλίση στο μηχανήμα πάνω στο μπροστινό άκρο της βάσης, με την λάμα να είναι τοποθετημένη μόλις επάνω από την επιφάνεια του κομματιού εργασίας.
2. Πιέστε το μηχανήμα τόσο ώστε το μπροστινό άκρο της βάσης δεν θα μετακινηθεί όταν ανάψετε το μηχανήμα και μαλακά και σιγανά χαμηλώστε το πίσω άκρο του μηχανήματος.
3. Καθώς η λάμα διαπερνά το κομμάτι εργασίας, σιγανά χαμηλώστε τη βάση του μηχανήματος στην επιφάνεια του κομματιού εργασίας.
4. Ολοκληρώστε την κοπή κατά τον συνηθισμένο τρόπο.

Τελειώματα ακρών (Εικ. 15)

Για να τελειώσετε τις άκρες ή για να κάνετε ρυθμίσεις στις διαστάσεις, τρέξτε την λάμα κατά μήκος του κοψίματος.

Κοπή μετάλλων

Πάντοτε να χρησιμοποιείτε ένα κατάλληλο ψυκτικό (λάδι κοπής) όταν κόβετε μέταλλα. Εάν δεν χρησιμοποιήσετε η λάμα θα φθαρεί σημαντικά. Η κάτω πλευρά του κομματιού εργασίας μπορεί να λιπανθεί αντί αν χρησιμοποιήσετε ένα ψυκτικό.

Συσκευή αντισχισίματος (Εικ. 16)

Για να μειώσετε την πιθανότητα η επιφάνεια του κομματιού εργασίας να σχισθεί, η συσκευή αντισχισίματος μπορεί να χρησιμοποιηθεί. Βάλτε την στην βάση από κάτω έτσι ώστε να περικλείει τις πλευρές της λάμας.

Πλάκα πλαστικής βάσης (προαιρετικό εξάρτημα) (Εικ. 17)

Χρησιμοποιείτε την πλάκα πλαστικής βάσης όταν κόβετε διακοσμητικά λούστρα, πλαστικά κ.τ.λ. Προστατεύει ευαίσθητες επιφάνειες από καταστροφή. Για να αντικαταστήσετε την πλάκα βάσης, απομακρύνετε τις τέσσερις βίδες με το εξαγωνικό κλειδί.

Προστατευτικό σχισίματος (προαιρετικό εξάρτημα) (Εικ. 18)

Όταν κόβετε τεμάχια πάχους κάτω των 150 χιλ., επαναληπτικά, η χρήση του προστατευτικού σχισίματος (οδηγού κανόνα) εξασφαλίζει γρήγορη, καθαρή και ευθεία κοπή. Για να το τοποθετήσετε χαλαρώστε τη βίδα στο εμπρόσθιο τμήμα της βάσης. Περάστε μέσα το προστατευτικό σχισίματος και στερεώστε τη βίδα.

Κυκλικός οδηγός (προαιρετικό εξάρτημα) (Εικ. 19)

Η χρήση του κυκλικού οδηγού εξασφαλίζει καθαρή, απαλή κοπή κύκλων (ακτίνας κάτω από 200 χιλ.). Τοποθετήστε τον πείρο διαμέσου της κεντρικής τρύπας και στερεώστε τον με το συνδεδεμένο με κορδόνι κουμπί. Μετακινείτε πλήρως τη βάση της μηχανής προς τα εμπρός. Μετά τοποθετήστε τον κυκλικό οδηγό στη βάση με τον ίδιο τρόπο όπως το προστατευτικό σχισίματος (οδηγός κανόνας).

Εξαγωγή σκόνης (Εικ. 20, 21 και 22)

Η κεφαλή απορρόφησης συνιστάται για να εκτελεί καθαρές εργασίες κοπής. Τοποθετήστε το πλαστικό κάλυμμα επάνω στο εργαλείο, εφαρμόζοντας το μέσα στις εγκοπές στο μηχάνημα. Για να συνδέσετε την κεφαλή απορρόφησης στο εργαλείο, βάλτε το άγκιστρο της κεφαλής απορρόφησης μέσα στην οπή, στην βάση. Η κεφαλή απορρόφησης μπορεί να τοποθετηθεί είτε στην αριστερή είτε στην δεξιά πλευρά της βάσης. Μετά συνδέστε μια ηλεκτρική σκούπα Μάκιτα στην κεφαλή απορρόφησης.

ΣΥΝΤΗΡΗΣΗ

ΠΡΟΣΟΧΗ:

Πριν την εκτέλεση εργασιών με τη συσκευή διαβεβαιώνετε πάντοτε, για το ότι η συσκευή σβήστηκε με απομακρυσμένο το συσσωρευτή.

Αντικατάσταση καρβουνάκια (Εικ. 23 και 24)

Τα καρβουνάκια πρέπει να αντικαθίστανται, όταν έχουν φθαρεί μέχρι το σημείο μαρκαρίσματος. Τα δύο ταυτόσημα καρβουνάκια πρέπει να αντικαθίστανται ταυτόχρονα.

Για τη διασφάλιση της σιγουριάς και αξιοπιστίας των προϊόντων μας πρέπει οι επισκευές, εργασίες συντήρησης ή ρυθμίσεις να εκτελούνται από εξουσιοδοτημένα εργαστήρια σέρβις πελατών Μάκιτα.

ΑΝΤΑΛΛΑΚΤΙΚΑ

ΠΡΟΣΟΧΗ:

• Αυτά τα ανταλλακτικά ή προσαρτήματα συνιστώνται για χρήση με το εργαλείο σας της Μάκιτα που περιγράφεται στο χειρίδιο αυτό. Η χρήση οτιδήποτε άλλων ανταλλακτικών ή προσαρτημάτων μπορεί να παρουσιάσουν κίνδυνο τραυματισμού σε άτομα.

Εάν χρειάζεστε βοήθεια ή περισσότερες λεπτομέρειες σε σχέση με αυτά τα ανταλλακτικά, ρωτήστε το τοπικό σας κέντρο εξυπηρέτησης της Μάκιτα.

- Δίσκος πλαστικής βάσης
- Εξαγ. κλειδί 3
- Συναρμολογητής κυκλικού οδηγού
- Αντισκληθρική συσκευή
- Πλαστικό κάλυμμα
- Μάνικα 19 - 2,5
- Λεπίδα πριονιού
- Διάφοροι τύποι αυθεντικών μπαταριών και φορτιστών Μάκιτα.
- Προστατευτικό σχισίματος (Οδηγός κανόνας)
- Κεφαλή απορρόφησης

ENGLISH**EC-DECLARATION OF CONFORMITY**

The undersigned, Yasuhiko Kanzaki, authorized by Makita Corporation of America, 2650 Buford Highway, Buford, GA30518 declares that this product

(Serial No. : series production)

manufactured by Makita Corporation of America in U.S.A. is in compliance with the following standards or standardized documents,

EN50260, EN55014,

in accordance with Council Directives, 89/336/EEC and 98/37/EC.

ITALIANO**DICHIARAZIONE DI CONFORMITÀ CON LE NORME DELLA COMUNITÀ EUROPEA**

Il sottoscritto Yasuhiko Kanzaki, con l'autorizzazione della Makita Corporation of America, 2650 Buford Highway, Buford, GA30518, dichiara che questo prodotto

(Numero di serie: Produzione in serie)

fabbricato dalla Makita Corporation of America negli U.S.A. è conforme alle direttive europee riportate di seguito:

EN50260, EN55014

secondo le direttive del Consiglio 89/336/CEE e 98/37/CE.

FRANÇAISE**DÉCLARATION DE CONFORMITÉ CE**

Je soussigné, Yasuhiko Kanzaki, mandaté par Makita Corporation of America, 2650 Buford Highway, Buford, GA30518, déclare que ce produit

(No. de série: production en série)

fabriqué par Makita Corporation of America aux U.S.A., est conforme aux normes ou aux documents normalisés suivants,

EN50260, EN55014,

conformément aux Directives du Conseil, 89/336/CEE et 98/37/EG.

NEDERLANDS**EG-VERKLARING VAN CONFORMITEIT**

De ondergetekende, Yasuhiko Kanzaki, gevolmachtigd door Makita Corporation of America, 2650 Buford Highway, Buford, GA30518 verklaart dat dit produkt

(Seriennr. : serieproductie)

vervaardigd door Makita Corporation of America in de V.S.A. voldoet aan de volgende normen of genormaliseerde documenten,

EN50260, EN55014

in overeenstemming met de richtlijnen van de Raad 89/336/EEC en 98/37/EC.

DEUTSCH**CE-KONFORMITÄTSERKLÄRUNG**

Hiermit erklärt der Unterzeichnete, Yasuhiko Kanzaki, Bevollmächtigter von Makita Corporation of America, 2650 Buford Highway, Buford, GA30518, dass dieses von der Firma Makita Corporation of America in den USA hergestellte Produkt

(Serien-Nr.: Serienproduktion)

gemäß den Ratsdirektiven 89/336/EWG und 98/37/EG mit den folgenden Normen bzw. Normendokumenten übereinstimmt:

EN50260, EN55014.

ESPAÑOL**DECLARACIÓN DE CONFORMIDAD DE LA CE**

El abajo firmante, Yasuhiko Kanzaki, autorizado por Makita Corporation of America, 2650 Buford Highway, Buford, GA30518, declara que este producto

(Número de serie: producción en serie)

fabricado por Makita Corporation of America en EE.UU. cumple las siguientes normas o documentos normalizados,

EN50260, EN55014

de acuerdo con las directivas comunitarias, 89/336/EEC y 98/37/CE.

Yasuhiko Kanzaki CE 2000



Director	Amministratore
Directeur	Directeur
Direktor	Director

MAKITA INTERNATIONAL EUROPE LTD.

Michigan Drive, Tongwell, Milton Keynes,
Bucks MK15 8JD, ENGLAND

PORTUGUÊS

DECLARAÇÃO DE CONFORMIDADE DA CE

O abaixo assinado, Yasuhiko Kanzaki, autorizado pela Makita Corporation of America, 2650 Buford Highway, Buford, GA30518, declara que este produto

(N. de série: produção em série)

fabricado pela Makita Corporation of America nos E.U.A. obedece às seguintes normas ou documentos normalizados,

EN50260, EN55014

de acordo com as directivas 89/336/CEE e 98/37/CE do Conselho.

DANSK

EU-DEKLARATION OM KONFORMITET

Undertegnede, Yasuhiko Kanzaki, med fuldmagt fra Makita Corporation of America, 2650 Buford Highway, Buford, GA30518, erklærer hermed, at dette produkt

(Løbenummer: serieproduktion)

fremstillet af Makita Corporation of America i USA, er i overensstemmelse med de følgende standarder eller normsættende dokumenter,

EN50260, EN55014

i overensstemmelse med Rådets Direktiver 89/336/EEC og 98/37/EC.

SVENSKA

EG-DEKLARATION OM ÖVERENSSTÄMMELSE

Undertecknad, Yasuhiko Kanzaki, auktoriserad av Makita Corporation of America, 2650 Buford Highway, Buford, GA30518 deklarerar att denna produkt

(serienummer: serieproduktion)

tillverkad av Makita Corporation of America i USA, uppfyller kraven i följande standard eller standardiserade dokument,

EN50260, EN55014

i enlighet med EG-direktiven 89/336/EEC och 98/37/EC.

NORSK

EU's SAMSVARS-ERKLÆRING

Undertegnede, Yasuhiko Kanzaki, med fullmakt fra Makita Corporation of America, 2650 Buford Highway, Buford, GA30518 bekrefter herved at dette produktet

(Serienr. : serieproduksjon)

fabriert av Makita Corporation of America i U.S.A., er i overensstemmelse med følgende standarder eller standardiserte dokumenter:

EN50260, EN55014,

i samsvar med Råds-direktivene, 89/336/EEC og 98/37/EC.

SUOMI

VAKUUTUS EC-VASTAAVUUDESTA

Makita Corporation of America, 2650 Buford Highway, Buford, GA30518 valtuuttamana allekirjoittanut, Yasuhiko Kanzaki, vakuuttaa että tämä tämä tuote

(Sarja nro : sarjan tuotantoa)

valmistanut Makita Corporation of America USA: ssa vastaa seuraavia standardeja tai standardoituja asiakirjoja

EN50260, EN55014

neuvoston direktiivien 89/336/EEC ja 98/37/EC mukaisesti.

ΕΛΛΗΝΙΚΑ

ΔΗΛΩΣΗ ΣΥΜΜΟΡΦΩΣΗΣ ΕΚ

Ο υπογράφων, Yasuhiko Kanzaki, εξουσιοδοτημένος από την Εταιρεία Makita Corporation of America, 2650 Buford Highway, Buford, GA30518, δηλώνει ότι αυτό το προϊόν

(Αύξων Αρ.: παραγωγή σειράς)

κατασκευασμένο από την Εταιρεία Makita Corporation of America στις Η.Π.Α., βρίσκεται σε συμφωνία με τα ακόλουθα πρότυπα ή τυποποιημένα έγγραφα,

EN50260, EN55014

σύμφωνα με τις Οδηγίες του Συμβουλίου, 89/336/EEC και 98/37/ΚΕ.

Yasuhiko Kanzaki CE 2000

Director	Direktor
Direktør	Johtaja
Direktör	Διευθυντής

MAKITA INTERNATIONAL EUROPE LTD.

Michigan Drive, Tongwell, Milton Keynes,
Bucks MK15 8JD, ENGLAND

ENGLISH

EC-DECLARATION OF CONFORMITY

The undersigned, Yasuhiko Kanzaki, authorized by Kao Lung Tamura Electronics Co., Ltd. No. 4 Industry 1st Street, Ping Tung Industry District Chiao Nan Li, Ping Tung City, Taiwan declares that this battery charger

(Serial No. : series production)

manufactured by Kao Lung Tamura Electronics Co., Ltd. in Taiwan is in compliance with the following standards or standardized documents,

EN60335, EN55014, EN61000

in accordance with Council Directives, 73/23/EEC and 89/336/EEC.

ITALIANO

DICHIARAZIONE DI CONFORMITÀ CON LE NORME DELLA COMUNITÀ EUROPEA

Il sottoscritto Yasuhiko Kanzaki, con l'autorizzazione della Kao Lung Tamura Electronics Co., Ltd. No. 4 Industry 1st Street, Ping Tung Industry District Chiao Nan Li, Ping Tung City, Taiwan, dichiara che questo caricabatteria

(Numero di serie: Produzione in serie)

fabbricato dalla Kao Lung Tamura Electronics Co., Ltd. in Taiwan è conforme alle direttive europee riportate di seguito:

EN60335, EN55014, EN61000

secondo le direttive del Consiglio 73/23/CEE e 89/336/CEE.

FRANÇAISE

DÉCLARATION DE CONFORMITÉ CE

Je soussigné, Yasuhiko Kanzaki, mandaté par Kao Lung Tamura Electronics Co., Ltd. No. 4 Industry 1st Street, Ping Tung Industry District Chiao Nan Li, Ping Tung City, Taiwan, déclare que ce chargeur de batterie

(No. de série: production en série)

fabriqué par Kao Lung Tamura Electronics Co., Ltd. au Taiwan, est conformes aux normes ou aux documents normalisés suivants,

EN60335, EN55014, EN61000

conformément aux Directives du Conseil, 73/23/CEE et 89/336/CEE.

NEDERLANDS

EG-VERKLARING VAN CONFORMITEIT

De ondergetekende, Yasuhiko Kanzaki, gevolmachtigd door Kao Lung Tamura Electronics Co., Ltd. No. 4 Industry 1st Street, Ping Tung Industry District Chiao Nan Li, Ping Tung City, Taiwan verklaart dat dit accu-oplader

(Serienr. : serieproductie)

vervaardigd door Kao Lung Tamura Electronics Co., Ltd. in Taiwan voldoet aan de volgende normen of genormaliseerde documenten,

EN60335, EN55014, EN61000

in overeenstemming met de richtlijnen van de Raad 73/23/EEC en 89/336/EEC.

DEUTSCH

CE-KONFORMITÄTSERKLÄRUNG

Hiermit erklärt der Unterzeichnete, Yasuhiko Kanzaki, Bevollmächtigter von Kao Lung Tamura Electronics Co., Ltd. No. 4 Industry 1st Street, Ping Tung Industry District Chiao Nan Li, Ping Tung City, Taiwan, daß dieses von der Firma Kao Lung Tamura Electronics Co., Ltd. in Taiwan hergestellte Ladegerät

(Serien-Nr.: Serienproduktion)

gemäß den Ratsdirektiven 73/23/EWG und 89/336/EWG mit den folgenden Normen bzw. Normendokumenten übereinstimmen:

EN60335, EN55014, EN61000.

ESPAÑOL

DECLARACIÓN DE CONFORMIDAD DE LA CE

El abajo firmante, Yasuhiko Kanzaki, autorizado por Kao Lung Tamura Electronics Co., Ltd. No. 4 Industry 1st Street, Ping Tung Industry District Chiao Nan Li, Ping Tung City, Taiwan, declara que este cargador de baterías

(Número de serie: producción en serie)

fabricado por Kao Lung Tamura Electronics Co., Ltd. en Taiwan cumple las siguientes normas o documentos normalizados,

EN60335, EN55014, EN61000

de acuerdo con las directivas comunitarias, 73/23/EEC y 89/336/EEC.

Yasuhiko Kanzaki **CE 94**



Director Amministratore
Directeur Directeur
Direktor Direktor

MAKITA INTERNATIONAL EUROPE LTD.

Michigan Drive, Tongwell, Milton Keynes,
Bucks MK15 8JD, ENGLAND

PORTUGUÊS

DECLARAÇÃO DE CONFORMIDADE DA CE

O abaixo assinado, Yasuhiko Kanzaki, autorizado pela Kao Lung Tamura Electronics Co., Ltd. No. 4 Industry 1st Street, Ping Tung Industry District Chiao Nan Li, Ping Tung City, Taiwan, declara que este carregador de bateria (N. de série: produção em série)

fabricado pela Kao Lung Tamura Electronics Co., Ltd. no Taiwan obedece às seguintes normas ou documentos normalizados,

EN60335, EN55014, EN61000

de acordo com as directivas 73/23/CEE e 89/336/CEE do Conselho.

DANSK

EU-DEKLARATION OM KONFORMITET

Undertegnede, Yasuhiko Kanzaki, med fuldmagt fra Kao Lung Tamura Electronics Co., Ltd. No. 4 Industry 1st Street, Ping Tung Industry District Chiao Nan Li, Ping Tung City, Taiwan, erklærer hermed, at dette batteriopladeren

(Løbenummer: serieproduktion)

fremstillet af Kao Lung Tamura Electronics Co., Ltd. i Taiwan, er i overensstemmelse med de følgende standarder eller normsættende dokumenter,

EN60335, EN55014, EN61000

i overensstemmelse med Rådets Direktiver 73/23/EEC og 89/336/EEC.

SVENSKA

EG-DEKLARATION OM ÖVERENSSTÄMMELSE

Undertecknad, Yasuhiko Kanzaki, auktoriserad av Kao Lung Tamura Electronics Co., Ltd. No. 4 Industry 1st Street, Ping Tung Industry District Chiao Nan Li, Ping Tung City, Taiwan deklarerar att denna batteriladdaren

(serienummer: serieproduktion)

tillverkad av Kao Lung Tamura Electronics Co., Ltd. i Taiwan, uppfyller kraven i följande standard eller standardiserade dokument,

EN60335, EN55014, EN61000

i enlighet med EG-direktiven 73/23/EEC och 89/336/EEC.

NORSK

EU's SAMSVARS-ERKLÆRING

Undertegnede, Yasuhiko Kanzaki, med fullmakt fra Kao Lung Tamura Electronics Co., Ltd. No. 4 Industry 1st Street, Ping Tung Industry District Chiao Nan Li, Ping Tung City, Taiwan bekrefter herved at dette batterilader (Serienr. : serieproduksjon)

fabriert av Kao Lung Tamura Electronics Co., Ltd., Taiwan, er i overensstemmelse med følgende standarder eller standardiserte dokumenter:

EN60335, EN55014, EN61000,

i samsvar med Råds-direktivene, 73/23/EEC og 89/336/EEC.

SUOMI

VAKUUTUS EC-VASTAAVUUESTA

Kao Lung Tamura Electronics Co., Ltd. No. 4 Industry 1st Street, Ping Tung Industry District Chiao Nan Li, Ping Tung City, Taiwan valtuuttamana allekirjoittanut, Yasuhiko Kanzaki, vakuuttaa että tämä akkulatori

(Sarja nro : sarjan tuotantoa)

valmistanut Kao Lung Tamura Electronics Co., Ltd. in Taiwan vastaa seuraavia standardeja tai stardardoituja asiakirjoja

EN60335, EN55014, EN61000

neuvoston direktiivien 73/23/EEC ja 89/336/EEC mukaisesti.

ΕΛΛΗΝΙΚΑ

ΔΗΛΩΣΗ ΣΥΜΜΟΡΦΩΣΗΣ ΕΚ

Ο υπογράφων, Yasuhiko Kanzaki, εξουσιοδοτημένος από την εταιρεία Kao Lung Tamura Electronics Co., Ltd. No. 4 Industry 1st Street, Ping Tung Industry District Chiao Nan Li, Ping Tung City, Taiwan, δηλώνει ότι αυτό το φορτιστής μπαταρίας

(Αύξων Αρ.: παραγωγή σειράς)

κατασκευασμένο από την Εταιρεία Kao Lung Tamura Electronics Co., Ltd. στην Taiwan, βρίσκεται σε συμφωνία με τα ακόλουθα πρότυπα ή τυποποιημένα έγγραφα,

EN60335, EN55014, EN61000

σύμφωνα με τις Οδηγίες του Συμβουλίου, 73/23/EEC και 89/336/EEC.

Yasuhiko Kanzaki CE 94

Director	Direktor
Direktør	Johtaja
Direktör	Διευθυντής

MAKITA INTERNATIONAL EUROPE LTD.

Michigan Drive, Tongwell, Milton Keynes,
Bucks MK15 8JD, ENGLAND

ENGLISH

Noise and Vibration of Model 4331D/4333D

The typical A-weighted sound pressure level is 81 dB (A).

The noise level under working may exceed 85 dB (A).

– Wear ear protection. –

The typical weighted root mean square acceleration value is 9 m/s^2 .

FRANÇAISE

Bruit et vibrations du modèle 4331D/4333D

Le niveau de pression sonore pondéré A type est de 81 dB (A).

Le niveau de bruit en fonctionnement peut dépasser 85 dB (A).

– Porter des protecteurs anti-bruit. –

L'accélération pondérée est de 9 m/s^2 .

DEUTSCH

Geräusch- und Vibrationsentwicklung des Modells 4331D/4333D

Der typische A-bewertete Schalldruckpegel beträgt 81 dB (A). Der Lärmpegel kann während des Betriebs 85 dB (A) überschreiten.

– Gehörschutz tragen. –

Der gewichtete Effektivwert der Beschleunigung beträgt 9 m/s^2 .

ITALIANO

Rumore e vibrazione del modello 4331D/4333D

Il livello di pressione sonora pesata secondo la curva A è di 81 dB (A).

Il livello di rumore durante il lavoro potrebbe superare gli 85 dB (A).

– Indossare i paraorecchi. –

Il valore quadratico medio di accelerazione è di 9 m/s^2 .

NEDERLANDS

Geluidsniveau en trilling van het model 4331D/4333D

Het typische A-gewogen geluidsdrukniveau is 81 dB (A).

Tijdens het werken kan het geluidsniveau 85 dB (A) overschrijden.

– Draag oorbeschermers. –

De typische gewogen effectieve versnellingswaarde is 9 m/s^2 .

ESPAÑOL

Ruido y vibración del modelo 4331D/4333D

El nivel de presión sonora ponderada A es de 81 dB (A).

El nivel de ruido en condiciones de trabajo puede que sobrepase los 85 dB (A).

– Póngase protectores en los oídos. –

El valor ponderado de la aceleración es de 9 m/s^2 .

PORTUGUÊS

Ruído e vibração do Modelo 4331D/4333D

O nível normal de pressão sonora A é 81 dB (A).

O nível de ruído durante o trabalho pode exceder 85 dB (A).

– Utilize protectores para os ouvidos –

O valor médio da aceleração é 9 m/s^2 .

DANSK

Lyd og vibration fra mode 4331D/4333D

Det typiske A-vægtede lydtryksniveau er 81 dB (A).

Støjniveauet under arbejde kan overstige 85 dB (A).

– Bær hørevern. –

Den vægtede effektive accelerationsværdi er 9 m/s^2 .

SVENSKA

Buller och vibration hos modell 4331D/4333D

Den typiska A-vägda ljudtrycksnivån är 81 dB (A).

Bullernivån under pågående arbete kan överstiga 85 dB (A).

– Använd hörselskydd –

Det typiskt vägda effektivvärdet för acceleration är 9 m/s^2 .

NORSK

Støy og vibrasjon fra modell 4331D/4333D

Det vanlige A-belastede lydtrykksnivå er 81 dB (A).

Under bruk kan støynivået overskride 85 dB (A).

– Benytt hørselvern. –

Den vanlig belastede effektiv-verdi for akselerasjon er 9 m/s^2 .

SUOMI

Mallin 4331D/4333D melutaso ja värinä

Tyypillinen A-painotettu äänenpainetaso on 81 dB (A).

Melutaso työpaikalla saattaa ylittää 85 dB (A).

– Käytä kuulosuojaimia. –

Tyypillinen kiihtyvyyden painotettu tehollisarvo on 9 m/s^2 .

ΕΛΛΗΝΙΚΑ

Θόρυβος και κραδασμός του μοντέλου 4331D/4333D

Η τυπική A-μετρούμενη ηχητική πίεση είναι 81 dB (A).

Η ένταση ήχου υπο συνθήκες εργασίας μπορεί να υπερβεί τα 85 dB (A).

– Φοράτε ωτοασπίδες. –

Η τυπική αξία της μετρούμενης ρίζας του μέσου τετραγώνου της επιτάχυνσης είναι 9 m/s^2 .

Makita Corporation

884339B994