

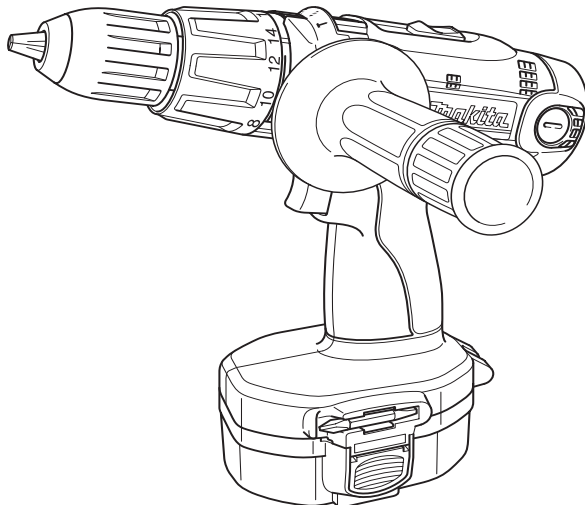
Makita®

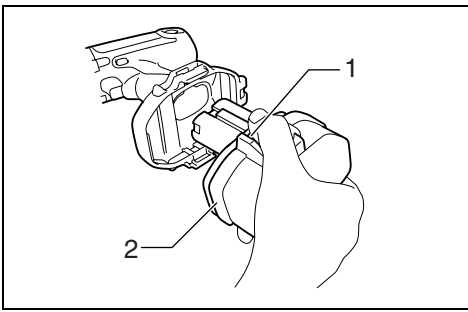
GB	Cordless Driver Drill	Instruction Manual
F	Perceuse-visseuse sans fil	Manuel d'instructions
D	Akku-Bohrschrauber	Betriebsanleitung
I	Trapano-avvitatore a batteria	Istruzioni per l'uso
NL	Snoerloze boor-schroevendraaier	Gebruiksaanwijzing
E	Taladro-atornillador a batería	Manual de instrucciones
P	Berbequim aparafusador a bateria	Manual de instruções
DK	Akku bore-skruemaskine	Brugsanvisning
S	Sladdlös bormaskin/skruvdragare	Bruksanvisning
N	Akku boreskrutrekker	Bruksanvisning
SF	Akkuporakone	Käyttöohje
GR	Βιδοτρύπανο με μπαταρία	Οδηγίες χρήσεως

6319D

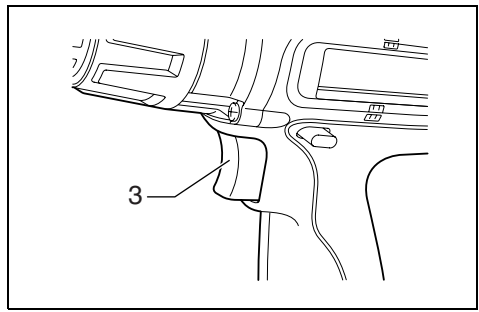
6339D

6349D

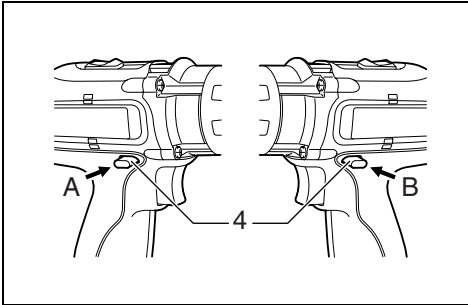




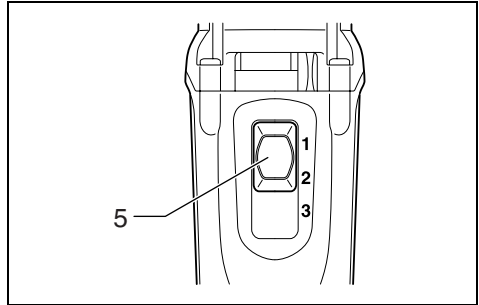
1



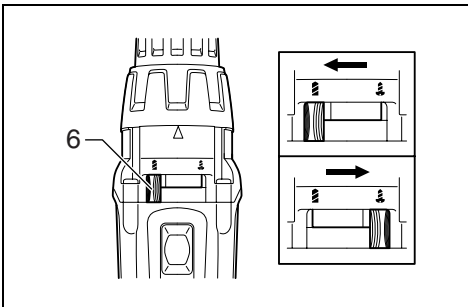
2



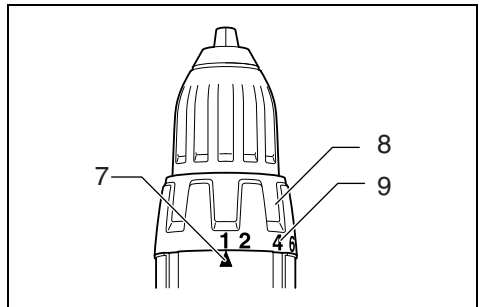
3



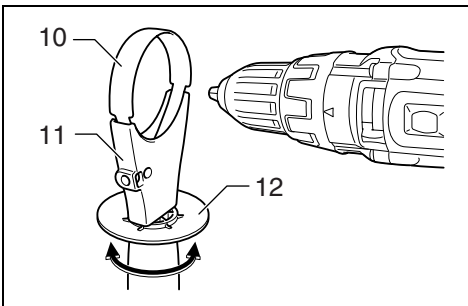
4



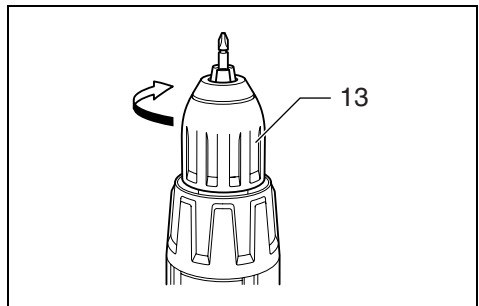
5



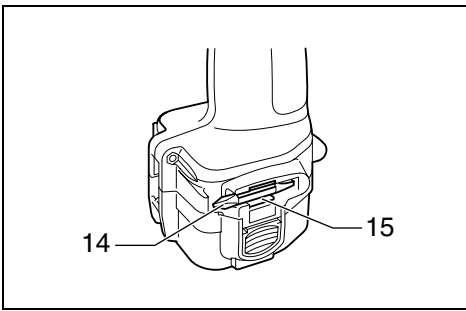
6



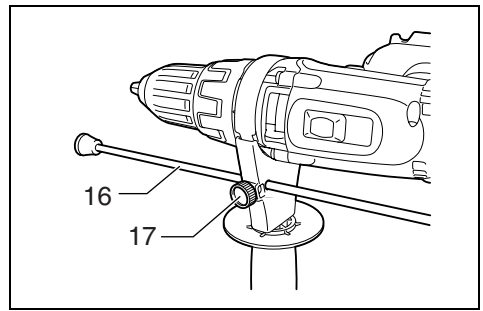
7



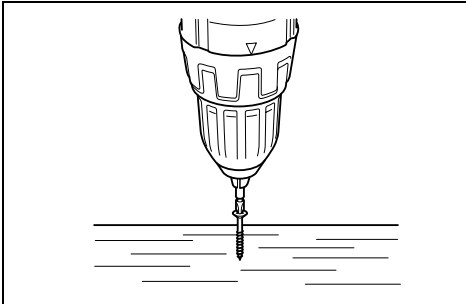
8



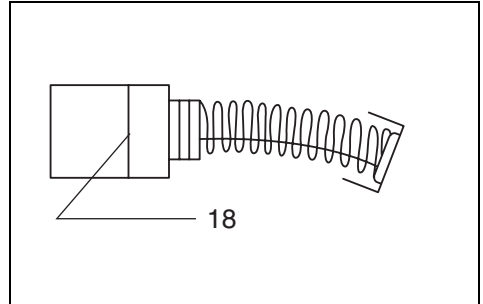
9



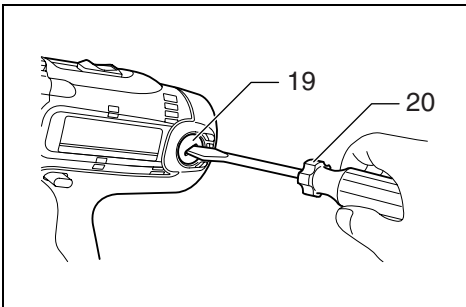
10



11



12



13

Explanation of general view

1 Button	8 Adjusting ring	15 Bit holder
2 Battery cartridge	9 Graduations	16 Depth rod
3 Switch trigger	10 Steel band	17 Clamp screw
4 Reversing switch lever	11 Grip base	18 Limit mark
5 Speed change lever	12 Side grip	19 Brush holder cap
6 Action mode change lever	13 Sleeve	20 Screwdriver
7 Arrow	14 Bit	

SPECIFICATIONS

Model	6319D	6339D	6349D
Capacities			
Steel	13 mm	13 mm	13 mm
Wood	45 mm	50 mm	65 mm
Wood screw	6 mm x 75 mm	6 mm x 75 mm	10 mm x 89 mm
Machine screw	6 mm	6 mm	6 mm
No load speed (min ⁻¹)			
High (3)	0 – 1,600	0 – 1,700	0 – 1,700
Medium (2)	0 – 550	0 – 600	0 – 600
Low (1)	0 – 300	0 – 300	0 – 300
Overall length	246 mm	246 mm	246 mm
Net weight	2.2 kg	2.3 kg	2.6 kg
Rated voltage	D. C. 12 V	D. C. 14.4 V	D. C. 18 V

- Due to our continuing program of research and development, the specifications herein are subject to change without notice.
- Note: Specifications may differ from country to country.

Intended use

The tool is intended for drilling and screw driving in wood, metal and plastic.

Safety hints

For your own safety, please refer to the enclosed safety instructions.

ADDITIONAL SAFETY RULES FOR POWER TOOL

GEB001-1

DO NOT let comfort or familiarity with product (gained from repeated use) replace strict adherence to drill safety rules. If you use this power tool unsafely or incorrectly, you can suffer serious personal injury.

1. Use auxiliary handles supplied with the tool. Loss of control can cause personal injury.
2. Hold power tools by insulated gripping surfaces when performing an operation where the cutting tool may contact hidden wiring or its own cord. Contact with a “live” wire will make exposed metal parts of the tool “live” and shock the operator.
3. Always be sure you have a firm footing. Be sure no one is below when using the tool in high locations.
4. Hold the tool firmly.
5. Keep hands away from rotating parts.
6. Do not leave the tool running. Operate the tool only when hand-held.
7. Do not touch the drill bit or the workpiece immediately after operation; they may be extremely hot and could burn your skin.

8. **Some material contains chemicals which may be toxic. Take caution to prevent inhalation and skin contact. Follow material supplier safety data.**

SAVE THESE INSTRUCTIONS.

IMPORTANT SAFETY INSTRUCTIONS FOR CHARGER & BATTERY CARTRIDGE

ENC004-1

1. Before using battery cartridge, read all instructions and cautionary markings on (1) battery charger, (2) battery, and (3) product using battery.
2. Do not disassemble battery cartridge.
3. If operating time has become excessively shorter, stop operating immediately. It may result in a risk of overheating, possible burns and even an explosion.
4. If electrolyte gets into your eyes, rinse them out with clear water and seek medical attention right away. It may result in loss of your eyesight.
5. Always cover the battery terminals with the battery cover when the battery cartridge is not used.
6. Do not short the battery cartridge:
 - (1) Do not touch the terminals with any conductive material.
 - (2) Avoid storing battery cartridge in a container with other metal objects such as nails, coins, etc.
 - (3) Do not expose battery cartridge to water or rain.

A battery short can cause a large current flow, overheating, possible burns and even a breakdown.
7. Do not store the tool and battery cartridge in locations where the temperature may reach or exceed 50°C (122°F).

8. Do not incinerate the battery cartridge even if it is severely damaged or is completely worn out. The battery cartridge can explode in a fire.
9. Be careful not to drop or strike battery.

SAVE THESE INSTRUCTIONS.

Tips for maintaining maximum battery life

1. Charge the battery cartridge before completely discharged.
Always stop tool operation and charge the battery cartridge when you notice less tool power.
2. Never recharge a fully charged battery cartridge. Overcharging shortens the battery service life.
3. Charge the battery cartridge with room temperature at 10°C – 40°C (50°F – 104°F). Let a hot battery cartridge cool down before charging it.
4. Charge the Nickel Metal Hydride battery cartridge when you do not use it for more than six months.

FUNCTIONAL DESCRIPTION

CAUTION:

- Always be sure that the tool is switched off and the battery cartridge is removed before adjusting or checking function on the tool.

Installing or removing battery cartridge (Fig. 1)

- Always switch off the tool before insertion or removal of the battery cartridge.
- To remove the battery cartridge, withdraw it from the tool while pressing the buttons on both sides of the cartridge.
- To insert the battery cartridge, align the tongue on the battery cartridge with the groove in the housing and slip it into place. Always insert it all the way until it locks in place with a little click. If not, it may accidentally fall out of the tool, causing injury to you or someone around you.
- Do not use force when inserting the battery cartridge. If the cartridge does not slide in easily, it is not being inserted correctly.

Switch action (Fig. 2)

CAUTION:

- Before inserting the battery cartridge into the tool, always check to see that the switch trigger actuates properly and returns to the “OFF” position when released.

To start the tool, simply pull the switch trigger. Tool speed is increased by increasing pressure on the switch trigger. Release the switch trigger to stop.

Reversing switch action (Fig. 3)

This tool has a reversing switch to change the direction of rotation. Depress the reversing switch lever from the A side for clockwise rotation or from the B side for counter-clockwise rotation.

When the reversing switch lever is in the neutral position, the switch trigger cannot be pulled.

CAUTION:

- Always check the direction of rotation before operation.
- Use the reversing switch only after the tool comes to a complete stop. Changing the direction of rotation before the tool stops may damage the tool.
- When not operating the tool, always set the reversing switch lever to the neutral position.

Speed change (Fig. 4)

This tool has a three-gear speed change lever. To change the speed, first switch off the tool and then slide the speed change lever to the “1” position for low speed, “2” position for medium speed or “3” position for high speed. Be sure that the speed change lever is set to the correct position before operation. Use the right speed for your job.

NOTE:

When changing the position from “1” to “3” or from “3” to “1”, it may be a little difficult to slide the speed change lever. At this time, switch on and run the tool for a second at the “2” position, then stop the tool and slide to your desired position.

CAUTION:

- Always set the speed change lever fully to the correct position. If you operate the tool with the speed change lever positioned halfway between the “1” position, “2” position and “3” position, the tool may be damaged.
- Do not use the speed change lever while the tool is running. The tool may be damaged.

Selecting the action mode (Fig. 5)

This tool has an action mode change lever. For drilling, slide the action mode change lever to the left (⊕ symbol). For screwing, slide the action mode change lever to the right (⊖ symbol).

NOTE:

When changing the position from ⊖ to ⊕, it may be a little difficult to slide the mode change lever. At this time, switch on and run the tool for a second at the ⊖ position, then stop the tool and slide to your desired position.

CAUTION:

- Always slide the action mode change lever all the way to your desired mode position. If you operate the tool with the lever positioned halfway between the mode symbols, the tool may be damaged.
- Do not use the action mode change lever while the tool is running. The tool may be damaged.

Adjusting the fastening torque (Fig. 6)

The fastening torque can be adjusted in 16 steps by turning the adjusting ring so that its graduations are aligned with the arrow on the tool body.

First, slide the action mode change lever to the position of ⊖ symbol.

The fastening torque is minimum when the number 1 is aligned with the arrow, and maximum when the number 16 is aligned with the arrow. The clutch will slip at various torque levels when set at the number 1 to 16. Before actual operation, drive a trial screw into your material or a piece of duplicate material to determine which torque level is required for a particular application.

NOTE:

- The adjusting ring does not lock when the arrow is positioned only halfway between the graduations.

ASSEMBLY

CAUTION:

- Always be sure that the tool is switched off and the battery cartridge is removed before carrying out any work on the tool.

Installing side grip (auxiliary handle) (Fig. 7)

Always use the side grip to ensure operating safety. Install the side grip so that the steel band of the grip fits on the tool barrel.

Then tighten the grip by turning clockwise at the desired position. It may be swung 360° so as to be secured at any position.

Installing or removing driver bit or drill bit

Turn the sleeve counterclockwise to open the chuck jaws. Place the bit in the chuck as far as it will go. Turn the sleeve clockwise to tighten the chuck. To remove the bit, turn the sleeve counterclockwise. (Fig. 8)


When not using the driver bit, keep it in the bit holders. Bits 45 mm long can be kept there. (Fig. 9)

Adjustable depth rod (accessory) (Fig. 10)

The adjustable depth rod is used to drill holes of uniform depth. Loosen the clamp screw, set to desired position, then tighten the clamp screw.

OPERATION

Screwdriving operation (Fig. 11)

First, slide the action mode change lever to the position of  symbol and select the fastening torque.

Place the point of the driver bit in the screw head and apply pressure to the tool. Start the tool slowly and then increase the speed gradually. Release the switch trigger as soon as the clutch cuts in.

NOTE:


- Make sure that the driver bit is inserted straight in the screw head, or the screw and/or bit may be damaged.
- When driving wood screws, predrill pilot holes to make driving easier and to prevent splitting of the workpiece. See the chart.

Nominal diameter of wood screw (mm)	Recommended size of pilot hole (mm)
3.1	2.0 – 2.2
3.5	2.2 – 2.5
3.8	2.5 – 2.8
4.5	2.9 – 3.2
4.8	3.1 – 3.4
5.1	3.3 – 3.6
5.5	3.7 – 3.9
5.8	4.0 – 4.2
6.1	4.2 – 4.4

NOTE:

- If the tool is operated continuously until the battery cartridge has discharged, allow the tool to rest for 15 minutes before proceeding with a fresh battery.

Drilling operation

First, slide the action mode change lever to the position of  symbol.

Drilling in wood

When drilling in wood, the best results are obtained with wood drills equipped with a guide screw. The guide screw makes drilling easier by pulling the bit into the workpiece.

Drilling in metal

To prevent the bit from slipping when starting a hole, make an indentation with a center-punch and hammer at the point to be drilled. Place the point of the bit in the indentation and start drilling.

Use a cutting lubricant when drilling metals. The exceptions are iron and brass which should be drilled dry.

CAUTION:

- Pressing excessively on the tool will not speed up the drilling. In fact, this excessive pressure will only serve to damage the tip of your bit, decrease the tool performance and shorten the service life of the tool.
- There is a tremendous force exerted on the tool/bit at the time of hole break through. Hold the tool firmly and exert care when the bit begins to break through the workpiece.
- A stuck bit can be removed simply by setting the reversing switch to reverse rotation in order to back out. However, the tool may back out abruptly if you do not hold it firmly.
- Always secure small workpieces in a vise or similar hold-down device.
- If the tool is operated continuously until the battery cartridge has discharged, allow the tool to rest for 15 minutes before proceeding with a fresh battery.

MAINTENANCE

CAUTION:

- Always be sure that the tool is switched off and the battery cartridge is removed before attempting to perform inspection or maintenance.

Replacing carbon brushes (Fig. 12 & 13)

Remove and check the carbon brushes regularly. Replace when they wear down to the limit mark. Keep the carbon brushes clean and free to slip in the holders. Both carbon brushes should be replaced at the same time. Use only identical carbon brushes.

Use a screwdriver to remove the brush holder caps. Take out the worn carbon brushes, insert the new ones and secure the brush holder caps.

To maintain product SAFETY and RELIABILITY, repairs, any other maintenance or adjustment should be performed by Makita Authorized or Factory Service Centres, always using Makita replacement parts.

ACCESSORIES

CAUTION:

- These accessories or attachments are recommended for use with your Makita tool specified in this manual. The use of any other accessories or attachments might present a risk of injury to persons. Only use accessory or attachment for its stated purpose.

If you need any assistance for more details regarding these accessories, ask your local Makita service center.

- Drill bits
- Screw bits
- Rubber pad assembly
- Foam polishing pad
- Wool bonnet
- Various type of Makita genuine batteries and chargers

Descriptif

1 Bouton	7 Pointeur	15 Porte-embout/foret
2 Batterie	8 Bague de réglage	16 Tige de profondeur
3 Gâchette	9 Graduations	17 Vis de serrage
4 Inverseur	10 Bande d'acier	18 Repère d'usure
5 Levier de changement de vitesse	11 Base de la poignée	19 Bouchon de porte-charbon
6 Levier de mode de fonctionnement	12 Poignée latérale	20 Tournevis
	13 Manchon	
	14 Embout/foret	

SPECIFICATIONS

Modèle	6319D	6339D	6349D
Capacités			
Acier	13 mm	13 mm	13 mm
Bois	45 mm	50 mm	65 mm
Vis en bois	6 mm x 75 mm	6 mm x 75 mm	10 mm x 89 mm
Vis à métaux	6 mm	6 mm	6 mm
Vitesse à vide (min ⁻¹)			
Grande vitesse (3)	0 – 1 600	0 – 1 700	0 – 1 700
Vitesse moyenne (2)	0 – 550	0 – 600	0 – 600
Vitesse réduite (1)	0 – 300	0 – 300	0 – 300
Longueur totale	246 mm	246 mm	246 mm
Poids net	2,2 kg	2,3 kg	2,6 kg
Tension nominale	12 V CC	14,4 V CC	18 V CC

- Etant donné l'évolution constante de notre programme de recherche et de développement, les spécifications contenues dans ce manuel sont sujettes à modification sans préavis.
- Note : Les spécifications peuvent varier suivant les pays.

Utilisations

L'outil est prévu pour le perçage et le vissage dans le bois, le métal et le plastique.

Consignes de sécurité

Pour votre propre sécurité, reportez-vous aux consignes de sécurité qui accompagnent l'outil.

CONSIGNES DE SÉCURITÉ ADDITIONNELLES POUR LES OUTILS ÉLECTRIQUES

NE vous laissez PAS tromper (au fil d'une utilisation répétée) par un sentiment d'aisance et de familiarité avec le produit, en négligeant le respect rigoureux des consignes de sécurité qui accompagnent la perceuse. Si vous n'utilisez pas cet outil électrique de façon sûre ou adéquate, vous courez un risque de blessure grave.

1. Utilisez les poignées auxiliaires fournies avec l'outil.
La perte de contrôle comporte un risque de blessure.
2. Saisissez les outils électriques par leurs surfaces de poigne isolées lorsque vous effectuez une opération au cours de laquelle l'outil tranchant peut entrer en contact avec des fils cachés ou avec son propre cordon d'alimentation. Le contact avec un fil électrique peut mettre les parties non isolées de l'outil sous tension et électrocuter l'utilisateur.

3. **Assurez-vous toujours de travailler en position stable.**

Lorsque vous utilisez l'outil dans un endroit élevé, assurez-vous qu'il n'y a personne en bas.

4. **Tenez votre outil fermement.**
5. **Gardez les mains éloignées des pièces en rotation.**
6. **Ne laissez pas l'outil tourner. Ne le faites fonctionner que lorsque vous le tenez.**
7. **Ne touchez pas le foret ni la pièce tout de suite après la coupe, car ils seraient extrêmement chauds et pourraient vous brûler.**
8. **Certains matériaux contiennent des produits chimiques qui peuvent être toxiques. Prenez les précautions nécessaires pour ne pas inhaler les poussières qu'ils dégagent et pour éviter tout contact avec la peau. Conformez-vous aux consignes de sécurité du fabricant.**

CONSERVEZ CES INSTRUCTIONS.

PROTECTION DE L'ENVIRONNEMENT (POUR LA SUISSE UNIQUEMENT)

Afin de préserver l'environnement, rappez la batterie usagée aux postes de ramassage officiel.



PRÉCAUTIONS IMPORTANTES POUR LE CHARGEUR ET LA BATTERIE

1. Avant d'utiliser la batterie, lisez toutes les instructions et précautions relatives (1) au chargeur de batterie, (2) à la batterie, et (3) à l'outil utilisant la batterie.
2. Ne démontez pas la batterie.
3. Cessez immédiatement l'utilisation si le temps de fonctionnement devient excessivement court. Il y a risque de surchauffe, de brûlures, voire d'explosion.
4. Si l'électrolyte pénètre dans vos yeux, rincez-les à l'eau claire et consultez immédiatement un médecin. Il y a risque de perte de la vue.
5. Lorsque vous n'utilisez pas la batterie, recouvrez-en toujours les bornes avec le couvre-batterie.
6. Ne court-circuitez pas la batterie :
 - (1) Ne touchez les bornes avec aucun matériau conducteur.
 - (2) Évitez de ranger la batterie dans un conteneur avec d'autres objets métalliques, par exemple des clous, des pièces de monnaie, etc.
 - (3) N'exposez pas la batterie à l'eau ou à la pluie. Un court-circuit de la batterie pourrait provoquer un fort courant, une surchauffe, parfois des brûlures et même une panne.
7. Ne rangez pas l'outil ou la batterie dans des endroits où la température risque d'atteindre ou de dépasser 50°C.
8. Ne jetez pas la batterie au feu même si elle est sérieusement endommagée ou complètement épuisée. La batterie peut exploser au contact du feu.
9. Prenez garde d'échapper ou de heurter la batterie.

CONSERVEZ CES INSTRUCTIONS.

Conseils pour assurer la durée de vie optimale de la batterie

1. Rechargez la batterie avant qu'elle ne soit complètement déchargée. Arrêtez toujours l'outil et rechargez la batterie quand vous remarquez que la puissance de l'outil diminue.
2. Ne rechargez jamais une batterie complètement chargée. La surcharge réduit la durée de service de la batterie.
3. Chargez la batterie alors que la température de la pièce se trouve entre 10°C et 40°C. Avant de charger une batterie chaude, laissez-la refroidir.
4. Chargez la batterie au nickel-hydrure métallique lorsqu'elle est restée inutilisée pendant plus de six mois.

DESCRIPTION DU FONCTIONNEMENT

ATTENTION :

- Assurez-vous toujours que l'outil est hors tension et que sa batterie est retirée avant de l'ajuster ou de vérifier son fonctionnement.

Installation et retrait de la batterie (Fig. 1)

- Débranchez toujours l'outil avant d'installer ou de retirer la batterie.
- Pour enlever la batterie, sortez-la de l'outil en appuyant sur les boutons placés de chaque côté de la batterie.
- Pour insérer la batterie, alignez la languette de la batterie sur la rainure du logement, et glissez la batterie jusqu'à ce qu'elle se verrouille dans un dé clic. Sinon, la batterie risque de tomber accidentellement, ce qui pourrait vous blesser, vous ou d'autres personnes alentour.
- Ne forcez jamais quand vous introduisez la batterie. Si la batterie ne rentre pas aisément, c'est que vous ne l'insérez pas correctement.

Interrupteur (Fig. 2)

ATTENTION :

- Avant de mettre la batterie dans l'outil, vérifiez toujours que la gâchette fonctionne correctement et qu'elle revient sur la position "OFF" quand vous la relâchez.

Pour démarrer l'outil, tirez simplement sur la gâchette. Plus vous appuyez sur la gâchette, plus la vitesse augmente. Pour l'arrêter, relâchez la gâchette.

Inverseur (Fig. 3)

L'outil possède un inverseur qui permet d'inverser le sens de rotation. Appuyez sur le levier de l'inverseur et déplacez-le à partir du côté A pour une rotation vers la droite, ou à partir du côté B pour une rotation vers la gauche.

Lorsque l'inverseur est à la position neutre, il n'est pas possible d'actionner la gâchette.

ATTENTION :

- Vérifiez toujours le sens de rotation avant de mettre l'outil en marche.
- N'actionnez l'inverseur qu'une fois que l'outil est complètement arrêté. Si vous changez le sens de rotation de l'outil avant l'arrêt de l'outil, vous risquez de l'endommager.
- Quand vous n'utilisez pas l'outil, ramenez toujours l'inverseur sur la position neutre.

Changement de vitesse (Fig. 4)

Cet outil est équipé d'un levier de changement de vitesse à trois vitesses. Pour changer de vitesse, commencez par éteindre l'outil, puis déplacez le levier de changement de vitesse sur la position "1" pour faire marcher l'outil à vitesse réduite, sur la position "2" pour le faire marcher à vitesse moyenne, ou sur la position "3" pour le faire marcher à grande vitesse. Vérifiez que le levier de changement de vitesse est réglé sur la bonne position avant le travail. Utilisez la vitesse qui convient pour le travail à effectuer.



NOTE :

Lorsque vous déplacez le levier de changement de vitesse de la position "1" à "3" ou de la position "3" à "1", il se peut qu'il glisse difficilement. Il faut alors mettre l'outil en marche et le faire fonctionner pendant une seconde sur la position "2", puis arrêter l'outil et glisser le levier sur la position désirée.




ATTENTION :

- Placez toujours parfaitement le levier de changement de vitesse sur la position correcte. Si vous faites fonctionner l'outil avec le levier de changement de vitesse situé à mi-course entre les positions "1", "2" et "3", il risque d'être endommagé.
- N'actionnez pas le levier de changement de vitesse pendant que l'outil fonctionne. Cela pourrait endommager l'outil.

Sélection du mode de fonctionnement (Fig. 5)

Cet outil est équipé d'un levier de changement de mode. Pour percer, glissez le levier de changement de mode vers la gauche (symbole ). Pour visser, glissez le levier de changement de mode vers la droite (symbole ).


NOTE :

Lorsque vous déplacez le levier de changement de mode de la position  à , il se peut qu'il glisse difficilement. Il faut alors mettre l'outil en marche et le faire fonctionner pendant une seconde sur la position , puis arrêter l'outil et glisser le levier sur la position désirée.

ATTENTION :

- Glissez toujours le levier de changement de mode complètement jusqu'à la position du mode désiré. Si vous utilisez l'outil alors que le levier se trouve à mi-course entre deux symboles de mode, l'outil risque de subir des dommages.
- N'utilisez pas le levier de changement de mode pendant que l'outil fonctionne. Vous pourriez endommager l'outil.

Réglage du couple de serrage (Fig. 6)

Le couple de serrage peut être réglé sur 16 crans en faisant tourner la bague de réglage pour que ses graduations soient vis-à-vis du pointeur situé sur l'outil. D'abord, glissez le levier de changement de mode jusqu'à la position du symbole .

Le couple de serrage est minimal lorsque le numéro 1 est aligné sur la flèche, et maximal lorsque le numéro 16 est aligné sur la flèche. L'embrayage glissera à divers niveaux de couple de serrage lorsque réglé sur une valeur de 1 à 16. Avant de commencer véritablement votre travail, enfoncez une vis d'essai dans le matériau ou dans une pièce similaire afin d'identifier le couple de serrage requis pour une utilisation donnée.

NOTE :

- La bague de réglage ne se verrouille pas lorsque la flèche se trouve à mi-course entre deux graduations.

ASSEMBLAGE

ATTENTION :

- Assurez-vous toujours que l'outil est hors tension et que la batterie est sortie avant d'effectuer toute intervention sur l'outil.

Installation de la poignée latérale (poignée auxiliaire) (Fig. 7)

Utilisez toujours la poignée latérale pour assurer votre sécurité.

Installez la poignée latérale de sorte que la bande d'acier de la poignée soit ajustée sur le barillet de l'outil. Serrez ensuite la poignée en la tournant dans le sens des aiguilles d'une montre jusqu'à la position désirée. Vous pouvez la faire pivoter sur 360° et la fixer sur toute position désirée.

Pour installer ou retirer l'embout ou le foret

Tournez le manchon dans le sens inverse des aiguilles d'une montre pour ouvrir les mâchoires du mandrin. Insérez l'embout/le foret à fond dans le mandrin. Tournez le manchon dans le sens des aiguilles d'une montre pour serrer le mandrin. Pour retirer l'embout/le foret, tournez le manchon dans le sens inverse des aiguilles d'une montre. (Fig. 8)


Lorsque vous n'utilisez pas l'embout, rangez-le dans le porte-embout. Il peut contenir des embouts d'une longueur de 45 mm. (Fig. 9)

Tige de profondeur ajustable (accessoire) (Fig. 10)

L'utilisation de la tige de profondeur ajustable permet de percer des trous de même profondeur. Desserrez la vis de serrage, réglez sur la position désirée, puis resserrez la vis.

EMPLOI

Vissage (Fig. 11)

D'abord, glissez le levier de changement de mode jusqu'à la position du symbole , puis sélectionnez le couple de serrage.

Insérez la pointe de l'embout dans la tête de la vis et appuyez sur l'outil. Commencez par faire tourner l'outil lentement, puis augmentez la vitesse progressivement. Relâchez la gâchette dès que la vis est complètement enfoncée.

NOTE :


- Vérifiez que l'embout est bien enfoncé droit dans la tête de la vis, sinon la vis et/ou le foret risquent d'être endommagés.
- Pour enfoncer des vis en bois, le travail sera plus facile si vous commencez par percer des trous pilotes, et vous éviterez ainsi de fendre la pièce. Voyez le tableau ci-dessous.

Diamètre nominal de vis en bois (mm)	Dimension recommandée du trou pilote (mm)
3,1	2,0–2,2
3,5	2,2–2,5
3,8	2,5–2,8
4,5	2,9–3,2
4,8	3,1–3,4
5,1	3,3–3,6
5,5	3,7–3,9
5,8	4,0–4,2
6,1	4,2–4,4

NOTE :

- Si l'outil a fonctionné de façon continue jusqu'à ce que la batterie soit déchargée, laissez l'outil reposer pendant 15 minutes avant de recommencer avec une batterie fraîche.

Perçage

D'abord, glissez le levier de changement de mode jusqu'à la position du symbole .

Perçage dans du bois

Pour percer dans du bois, vous obtiendrez les meilleurs résultats avec un foret en bois doté d'une vis de guidage. La vis de guidage facilite le perçage en attirant le foret dans la pièce.

Perçage dans du métal

Pour que le foret ne glisse pas quand vous commencez à percer le trou, faites une entaille à l'aide d'un outil à centrer et d'un marteau. Placez la pointe du foret dans l'entaille et commencez à percer.

Pour percer des métaux, utilisez un lubrifiant de coupe. Seuls le fer et le cuivre devront être percés à sec.

ATTENTION :

- Vous ne percerez pas plus rapidement en appuyant plus fort sur l'outil. Au contraire, une pression excessive ne pourra qu'endommager la pointe du foret, réduisant ainsi les performances de l'outil et sa durée de vie.
- Il s'exerce une pression considérable sur l'outil/le foret au moment où le trou se perce. Tenez l'outil fermement et faites attention lorsque le foret commence à pénétrer dans la pièce.
- Pour retirer un foret coincé, il suffit de régler l'inverseur dans le sens de rotation inverse, ce qui fait ressortir le foret. Faites attention car l'outil risque de ressortir brusquement si vous ne le tenez pas fermement.
- Si les pièces sont petites, fixez-les toujours dans un étau ou tout autre dispositif de serrage similaire.
- Si l'outil a fonctionné de façon continue jusqu'à ce que la batterie soit déchargée, laissez l'outil reposer pendant 15 minutes avant de recommencer avec une batterie fraîche.

ENTRETIEN

ATTENTION :

- Assurez-vous toujours que l'outil est hors tension et que la batterie est sortie avant de procéder à son inspection ou à son entretien.

Remplacement des charbons (Fig. 12 et 13)

Retirez et vérifiez les charbons régulièrement. Remplacez-les lorsqu'ils atteignent le repère d'usure. Gardez les charbons propres et libres de glisser dans les porte-charbons. Les deux charbons doivent être remplacés simultanément. Utilisez uniquement des charbons identiques.

Retirez les bouchons de porte-charbon à l'aide d'un tournevis. Enlevez les charbons usés, insérez les neufs et remettez en place les bouchons.

Pour assurer la SÉCURITÉ et la FIABILITÉ du produit, les réparations, l'entretien ou les réglages doivent être effectués par un centre d'entretien Makita agréé, au moyen de pièces de rechange Makita.

ACCESSOIRES

ATTENTION :

- Ces accessoires ou pièces complémentaires sont recommandés pour l'utilisation avec l'outil Makita spécifié dans ce mode d'emploi. L'utilisation de tout autre accessoire ou pièce complémentaire peut comporter un risque de blessure. N'utilisez les accessoires ou pièces qu'aux fins auxquelles ils ont été conçus.

Si vous désirez obtenir plus de détails concernant ces accessoires, veuillez contacter le centre de service après-vente Makita le plus près.

- Embouts
- Forets
- Ensemble de plateau caoutchouc
- Plateau de polissage en mousse
- Peau de mouton
- Les divers types de batteries et chargeurs Makita authentiques

1 Akku-Entriegelungsknopf	8 Einstellring	15 Einsatzhalter
2 Akku	9 Teilstriche	16 Tiefenanschlag
3 Elektronikschalter	10 Stahlband	17 Klemmschraube
4 Drehrichtungsumschalter	11 Griffbasis	18 Verschleißgrenze
5 Drehzahlumschalter	12 Seitengriff	19 Bürstenhalterkappe
6 Betriebsart-Umschalthebel	13 Werkzeugverriegelung	20 Schraubendreher
7 Markierungspfeil	14 Einsatz	

TECHNISCHE DATEN

Modell	6319D	6339D	6349D
Bohrleistung			
Stahl	13 mm	13 mm	13 mm
Holz	45 mm	50 mm	65 mm
Holzschraube	6 mm x 75 mm	6 mm x 75 mm	10 mm x 89 mm
Maschinenschraube	6 mm	6 mm	6 mm
Leerlaufdrehzahl (min ⁻¹)			
Hoch (3)	0 – 1 600	0 – 1 700	0 – 1 700
Mittel (2)	0 – 550	0 – 600	0 – 600
Niedrig (1)	0 – 300	0 – 300	0 – 300
Gesamtlänge	246 mm	246 mm	246 mm
Nettogewicht	2,2 kg	2,3 kg	2,6 kg
Nennspannung	DC 12 V	DC 14,4 V	DC 18 V

- Wir behalten uns vor, Änderungen im Zuge der Entwicklung und des technischen Fortschritts ohne vorherige Ankündigung vorzunehmen.
- Hinweis: Die technischen Daten können von Land zu Land abweichen.

Vorgesehene Verwendung

Die Maschine ist für Bohren und Schrauben in Holz, Metall und Kunststoff vorgesehen.

Sicherheitshinweise

Lesen und beachten Sie diese Hinweise, bevor Sie das Gerät benutzen.

ZUSÄTZLICHE SICHERHEITSGEDELN FÜR ELEKTROWERKZEUG

Lassen Sie sich **NICHT** durch Bequemlichkeit oder Vertrautheit mit dem Produkt (durch wiederholten Gebrauch erworben) von der strikten Einhaltung der Bohrer-Sicherheitsregeln abhalten. Wenn Sie dieses Elektrowerkzeug auf unsichere oder unsachgemäße Weise benutzen, können Sie schwere Verletzungen erleiden.

1. Benutzen Sie die mit der Maschine gelieferten Zusatzgriffe. Verlust der Kontrolle kann Verletzungen verursachen.
2. Halten Sie Elektrowerkzeuge nur an den isolierten Griffflächen, wenn Sie Arbeiten ausführen, bei denen die Gefahr besteht, dass verborgene Kabel oder das eigene Kabel kontaktiert werden. Bei Kontakt mit einem stromführenden Kabel werden die freiliegenden Metallteile der Maschine ebenfalls stromführend, so dass der Benutzer einen elektrischen Schlag erleiden kann.
3. Achten Sie stets auf sicheren Stand. Vergewissern Sie sich bei Einsatz der Maschine an hochgelegenen Arbeitsplätzen, dass sich keine Personen darunter aufhalten.
4. Halten Sie die Maschine mit festem Griff.

5. Halten Sie die Hände von rotierenden Teilen fern.
6. Lassen Sie die Maschine nicht unbeaufsichtigt laufen. Benutzen Sie die Maschine nur mit Handhaltung.
7. Vermeiden Sie eine Berührung des Bohrereinsatzes oder des Werkstücks unmittelbar nach der Bearbeitung, weil sie dann noch sehr heiß sind und Hautverbrennungen verursachen können.
8. Manche Materialien können giftige Chemikalien enthalten. Treffen Sie Vorsichtsmaßnahmen, um das Einatmen von Arbeitsstaub und Hautkontakt zu verhüten. Befolgen Sie die Sicherheitsdaten des Materialherstellers.

BEWAHREN SIE DIESE HINWEISE SORGFÄLTIG AUF.

Umweltschutz

Das Gerät ist mit einem Nickel-Cadmium-Akku ausgerüstet. Um eine umweltgerechte Entsorgung zu gewährleisten, bitten wir Sie, folgende Punkte zu beachten:

- Gemäß Europäischer Batterierichtlinie 91/157/EWG und nationaler Gesetzgebung (Batterieverordnung) muß der verbrauchte Akku bei einer öffentlichen Sammelstelle, bei Ihrem Makita Kundendienst oder Ihrem Fachhändler zum Recycling abgegeben werden.
- Werfen Sie den verbrauchten Akku nicht in den Hausmüll, ins Feuer oder ins Wasser.



(Nur für die Schweiz)

- Ihr Beitrag zum Umweltschutz: Bringen Sie bitte die gebrauchte Batterie an eine offizielle Sammelstelle zurück.

WICHTIGE SICHERHEITSVORSCHRIFTEN FÜR LADEGERÄT UND AKKU

1. Lesen Sie vor der Benutzung des Akkus alle Anweisungen und Warnhinweise, die an (1) Ladegerät, (2) Akku und (3) Akkuwerkzeug angebracht sind.
2. Unterlassen Sie ein Zerlegen des Akkus.
3. Falls die Betriebszeit beträchtlich kürzer geworden ist, stellen Sie den Betrieb sofort ein. Anderenfalls besteht die Gefahr von Überhitzung, möglichen Verbrennungen und sogar einer Explosion.
4. Falls Elektrolyt in Ihre Augen gelangt, waschen Sie sie mit sauberem Wasser aus, und begeben Sie sich unverzüglich in ärztliche Behandlung. Anderenfalls können Sie Ihre Sehkraft verlieren.
5. Decken Sie die Akkukontakte stets mit der Schutzkappe ab, wenn Sie den Akku nicht benutzen.
6. Der Akku darf nicht kurzgeschlossen werden:
 - (1) Die Kontakte dürfen nicht mit leitfähigem Material berührt werden.
 - (2) Lagern Sie den Akku nicht in einem Behälter zusammen mit anderen Metallgegenständen, wie z.B. Nägel, Münzen usw.
 - (3) Setzen Sie den Akku weder Wasser noch Regen aus.
Ein Kurzschluss des Akkus verursacht starken Stromfluss, der Überhitzung, Verbrennungen und einen Defekt zur Folge haben kann.
7. Lagern Sie Maschine und Akku nicht an Orten, an denen die Temperatur 50°C erreichen oder überschreiten kann.
8. Versuchen Sie niemals, den Akku zu verbrennen, selbst wenn er stark beschädigt oder vollkommen verbraucht ist. Der Akku kann im Feuer explodieren.
9. Achten Sie darauf, dass der Akku nicht fallen gelassen oder Stößen ausgesetzt wird.

BEWAHREN SIE DIESE HINWEISE SORGFÄLTIG AUF.

Hinweise zur Aufrechterhaltung der maximalen Akku-Nutzungsdauer

1. Laden Sie den Akku, bevor er vollkommen erschöpft ist. Schalten Sie die Maschine stets aus, und laden Sie den Akku, wenn Sie ein Nachlassen der Maschinenleistung feststellen.
2. Unterlassen Sie das erneute Laden eines voll aufgeladenen Akkus. Überladen führt zu einer Verkürzung der Nutzungsdauer des Akkus.
3. Laden Sie den Akku bei Raumtemperatur zwischen 10°C – 40°C. Lassen Sie einen heißen Akku abkühlen, bevor Sie ihn laden.
4. Der Nickel-Metallhydrid-Akku muss geladen werden, wenn er länger als sechs Monate nicht benutzt worden ist.

FUNKTIONSBESCHREIBUNG

VORSICHT:

- Vergewissern Sie sich vor der Durchführung von Einstellungen oder Funktionsprüfungen der Maschine stets, dass die Maschine ausgeschaltet und der Akku abgenommen ist.

Anbringen und Abnehmen des Akkus (Abb. 1)

- Schalten Sie die Maschine stets aus, bevor Sie den Akku anbringen oder abnehmen.
- Zum Abnehmen des Akkus ziehen Sie ihn aus der Maschine heraus, während Sie die Entriegelungsknöpfe auf beiden Seiten drücken.
- Zum Einsetzen des Akkus richten Sie die Führungsfeder des Akkus auf die Nut im Maschinengehäuse aus und schieben den Akku hinein. Schieben Sie den Akku stets vollständig ein, bis er mit einem hörbaren Klicken einrastet. Anderenfalls kann er aus der Maschine herausfallen und Sie oder umstehende Personen verletzen.
- Wenden Sie beim Einsetzen des Akkus keine Gewalt an. Falls der Akku nicht reibungslos hineingleitet, ist er nicht richtig ausgerichtet.

Schalterfunktion (Abb. 2)

VORSICHT:

- Vergewissern Sie sich vor dem Einsetzen des Akkus in die Maschine stets, daß der Elektronikschalter ordnungsgemäß funktioniert und beim Loslassen in die AUS-Stellung zurückkehrt.

Zum Einschalten der Maschine drücken Sie einfach den Elektronikschalter. Die Drehzahl erhöht sich durch verstärkte Druckausübung auf den Elektronikschalter. Zum Ausschalten lassen Sie den Elektronikschalter los.

Drehrichtungsumschalter (Abb. 3)

Diese Maschine besitzt einen Drehrichtungsumschalter. Drücken Sie auf die Seite A des Drehrichtungsumschalters für Rechtsdrehung, und auf die Seite B für Linksdrehung.

In der Neutralstellung des Drehrichtungsumschalters ist der Elektronikschalter verriegelt.

VORSICHT:

- Prüfen Sie stets die Drehrichtung, bevor Sie mit der Arbeit beginnen.
- Betätigen Sie den Drehrichtungsumschalter erst, nachdem die Maschine zum vollkommenen Stillstand gekommen ist. Anderenfalls kann die Maschine beschädigt werden.
- Wenn Sie die Maschine nicht benutzen, stellen Sie den Drehrichtungsumschalter stets auf die Neutralstellung.

Drehzahlumschalter (Abb. 4)

Diese Maschine besitzt einen Dreigang-Drehzahlumschalter. Zum Umschalten der Drehzahl zuerst die Maschine ausschalten, dann den Drehzahlumschalter für niedrige Drehzahl auf Position "1", für mittlere Drehzahl auf Position "2", und für hohe Drehzahl auf Position "3" schieben. Vergewissern Sie sich vor Arbeitsbeginn stets, dass sich der Drehzahlumschalter in der korrekten Stellung befindet. Verwenden Sie stets die geeignete Drehzahl für die jeweilige Arbeit.

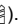
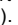
HINWEIS:

Beim Umschalten von Position "1" auf "3" oder von "3" auf "1" kann der Drehzahlumschalter etwas schwergängig sein. Schalten Sie in diesem Fall die Maschine ein, und lassen Sie sie eine Sekunde lang in Position "2" laufen, bevor Sie sie wieder ausschalten und den Schalter auf die gewünschte Position schieben.


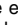
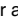
VORSICHT:

- Achten Sie stets darauf, dass sich der Drehzahlumschalter vollkommen in seiner jeweiligen Rastposition befindet. Wird die Maschine bei einer Zwischenstellung des Drehzahlumschalters zwischen den Positionen "1", "2" und "3" betrieben, kann sie beschädigt werden.
- Betätigen Sie den Drehzahlumschalter nicht während des Betriebs. Die Maschine kann sonst beschädigt werden.

Wahl der Betriebsart (Abb. 5)

Diese Maschine besitzt einen Betriebsart-Umschalthebel. Schieben Sie den Betriebsart-Umschalthebel für Bohren nach links (Symbol ) . Schieben Sie den Betriebsart-Umschalthebel für Schrauben nach rechts (Symbol ) .

HINWEIS:


Beim Umschalten von Position  auf  kann der Betriebsart-Umschalter etwas schwergängig sein. Schalten Sie in diesem Fall die Maschine ein, und lassen Sie sie eine Sekunde lang in Position  laufen, bevor Sie sie wieder ausschalten und den Schalter auf die gewünschte Position schieben.

VORSICHT:

- Schieben Sie den Betriebsart-Umschalthebel immer bis zum Anschlag auf die gewünschte Position. Wird die Maschine bei einer Zwischenstellung des Hebels zwischen den Betriebsartpositionen betrieben, kann sie beschädigt werden.
- Betätigen Sie den Betriebsart-Umschalthebel nicht während des Betriebs der Maschine. Die Maschine kann sonst beschädigt werden.

Drehmoment-Einstellung (Abb. 6)

Es können 16 verschiedene Drehmoment durch Drehen des Drehmoment-Einstellrings gewählt werden; die Teilstiche müssen dafür auf den Markierungspfeil am Maschinengehäuse ausgerichtet werden.

Schieben Sie den Betriebsart-Umschalthebel zuerst auf die Position des Symbols  .

Das Anzugsmoment ist minimal, wenn die Nummer 1 auf den Pfeil ausgerichtet ist, und maximal, wenn die Nummer 16 auf den Pfeil ausgerichtet ist. In den Stellungen 1 bis 16 rutscht die Kupplung bei Erreichen des Solldrehmoments durch. Bevor Sie mit der eigentlichen Schraubarbeit beginnen, sollten Sie eine Probeverschraubung mit Ihrem Material oder einem Stück des gleichen Materials durchführen, um das geeignete Anzugsmoment zu ermitteln.

HINWEIS:

- Bei Einstellung auf eine Zwischenstellung zwischen den Rastpositionen rastet der Einstellring nicht ein.

MONTAGE

VORSICHT:

- Vor Arbeiten am Gerät vergewissern Sie sich, daß sich der Schalter in der "OFF"-Position befindet und der Akku aus dem Gerät entfernt ist.

Montieren des Seitengriffs (Zusatzgriffs) (Abb. 7)

Verwenden Sie stets den Seitengriff, um Betriebssicherheit zu gewährleisten. Montieren Sie den Seitengriff so, dass das Stahlband des Griffs das Maschinengehäuse einwandfrei umschließt.

Ziehen Sie dann den Griff fest, indem Sie ihn an der gewünschten Position im Uhrzeigersinn drehen. Der Griff

kann um 360° geschwenkt und in jeder beliebigen Position gesichert werden.

Montage und Demontage von Einsätzen

Drehen Sie die Werkzeugaufnahme entgegen dem Uhrzeigersinn, um das Spannfutter zu öffnen. Führen Sie den Einsatz bis zum Anschlag in das Spannfutter ein. Drehen Sie die Werkzeugaufnahme im Uhrzeigersinn, um das Spannfutter festzuziehen. Zum Entfernen des Einsatzes drehen Sie die Werkzeugaufnahme entgegen dem Uhrzeigersinn. (Abb. 8)


Wenn Sie den Einsatz nicht benutzen, bewahren Sie ihn im Einsatzhalter auf. Einsätze von 45 mm Länge können dort aufbewahrt werden. (Abb. 9)

Verstellbarer Tiefenanschlag (Zubehör) (Abb. 10)

Der verstellbare Tiefenanschlag wird verwendet, um Löcher von gleichmäßiger Tiefe zu bohren. Die Klemmschraube lösen, den Tiefenanschlag auf die gewünschte Position einstellen, dann die Klemmschraube festziehen.

BETRIEB

Schrauben (Abb. 11)

Schieben Sie den Betriebsart-Umschalthebel zuerst auf die Position des Symbols  , und wählen Sie das Anzugsmoment.

Setzen Sie die Spitze des Schraubendrehereinsatzes in den Schraubenkopf ein und üben Sie Druck auf die Maschine aus. Lassen Sie die Maschine langsam anlaufen, und erhöhen Sie dann die Drehzahl allmählich. Lassen Sie den Elektronikschalter los, sobald die Kupplung ausrückt.

HINWEIS:


- Achten Sie darauf, daß die Spitze des Schraubendrehereinsatzes senkrecht in den Schraubenkopf eingeführt wird, um eine Beschädigung von Schraube und/oder Einsatz zu vermeiden.
- Beim Eindrehen von Holzschrauben ist das Bohren von Vorbohrungen zu empfehlen, um das Eindrehen zu erleichtern und Spaltung des Werkstücks zu vermeiden. Siehe die nachstehende Tabelle.

Neendurchmesser der Holzschraube (mm)	Empfohlene Größe der Vorbohrung (mm)
3,1	2,0–2,2
3,5	2,2–2,5
3,8	2,5–2,8
4,5	2,9–3,2
4,8	3,1–3,4
5,1	3,3–3,6
5,5	3,7–3,9
5,8	4,0–4,2
6,1	4,2–4,4

HINWEIS:

- Wenn die Maschine im Dauerbetrieb verwendet wird, und der Akku vollständig entladen wurde, lassen Sie die Maschine vor Verwendung eines geladenen Akkus 15 min. abkühlen.

Bohren

Schieben Sie den Betriebsart-Umschalthebel zuerst auf die Position des Symbols .

Bohren in Holz

Beim Bohren in Holz lassen sich die besten Ergebnisse mit Holzbohrern erzielen, die mit einer Zentrierspitze ausgestattet sind. Die Zentrierspitze erleichtert das Bohren, da sie den Bohrer in das Werkstück hineinzieht.

Bohren in Metall

Um Abrutschen des Bohrers beim Anbohren zu vermeiden, empfiehlt es sich, die Bohrstelle mit einem Zentrierkörner anzukörnern. Setzen Sie dann die Spitze des Bohrers in die Vertiefung und beginnen Sie mit dem Bohren.

Verwenden Sie Schneidflüssigkeit beim Bohren von Metall. Eisen und Messing sollten jedoch trocken gebohrt werden.

VORSICHT:

- Übermäßige Druckausübung auf die Maschine bewirkt keine Beschleunigung der Bohrleistung. Im Gegenteil, übermäßiger Druck führt zu einer Beschädigung der Bohrerspitze und damit zu einer Verringerung der Bohrerstandzeit sowie zu einer Verkürzung der Lebensdauer der Maschine.
- Beim Bohrungsdurchbruch wirkt ein hohes Rückdrehmoment auf Maschine und Bohrer. Halten Sie daher die Maschine mit festem Griff und lassen Sie Vorsicht walten, wenn der Bohrer im Begriff ist, aus dem Werkstück auszutreten.
- Ein festsitzender Bohrer läßt sich durch einfaches Umschalten der Drehrichtung wieder herausdrehen. Dabei sollten Sie aber die Maschine gut festhalten, damit sie nicht ruckartig herausgestoßen wird.
- Spannen Sie kleine Werkstücke stets in einen Schraubstock oder eine ähnliche Aufspannvorrichtung ein.
- Wenn die Maschine im Dauerbetrieb bis zur vollkommenen Entladung des Akkus verwendet wurde, lassen Sie die Maschine vor dem Fortsetzen des Betriebs mit einem frischen Akku 15 Minuten lang abkühlen.

WARTUNG

VORSICHT:

- Vor Arbeiten am Gerät vergewissern Sie sich, daß sich der Schalter in der "OFF"-Position befindet und der Akku aus dem Gerät entfernt ist.

Auswechseln der Kohlebürsten (Abb. 12 und 13)

Die Kohlebürsten müssen regelmäßig entfernt und überprüft werden. Wenn sie bis zur Verschleißgrenze abgenutzt sind, müssen sie erneuert werden. Halten Sie die Kohlebürsten stets sauber, damit sie ungehindert in den Haltern gleiten können. Beide Kohlebürsten sollten gleichzeitig erneuert werden. Verwenden Sie nur identische Kohlebürsten.

Drehen Sie die Bürstenhalterkappen mit einem Schraubendreher heraus. Nehmen Sie die abgenutzten Kohlebürsten heraus, setzen Sie die neuen ein, und drehen Sie dann die Bürstenhalterkappen wieder ein.

Um die SICHERHEIT und ZUVERLÄSSIGKEIT dieses Produkts zu gewährleisten, sollten Reparaturen und andere Wartungs- oder Einstellarbeiten nur von Makita-Vertragswerkstätten oder Makita-Kundendienstzentren unter ausschließlicher Verwendung von Makita-Originalersatzteilen ausgeführt werden.

ZUBEHÖR

VORSICHT:

- Die folgenden Zubehörteile oder Vorrichtungen werden für den Einsatz mit der in dieser Anleitung beschriebenen Makita-Maschine empfohlen. Die Verwendung anderer Zubehörteile oder Vorrichtungen kann eine Verletzungsgefahr darstellen. Verwenden Sie Zubehörteile oder Vorrichtungen nur für ihren vorgesehenen Zweck.

Wenn Sie weitere Einzelheiten bezüglich dieser Zubehörteile benötigen, wenden Sie sich bitte an Ihre Makita-Kundendienststelle.

- Bohrereinsätze
- Schraubendrehereinsätze
- Schleifteller
- Schaumstoff-Polierscheibe
- Lamfellhaube
- Verschiedene Original-Makita-Akkus und -Ladegeräte

Visione generale

1	Bottone	8	Anello di regolazione	15	Portapunta
2	Cartuccia batteria	9	Graduazioni	16	Asta di profondità
3	Interruttore	10	Fascetta d'acciaio	17	Vite di fermo
4	Interruttore di inversione	11	Base impugnatura	18	Segno limite
5	Leva di cambio velocità	12	Impugnatura laterale	19	Tappo portaspazzole
6	Leva di cambio modalità di azione	13	Manicotto	20	Cacciavite
7	Freccia	14	Punta		

DATI TECNICI

Modello	6319D	6339D	6349D
Capacità			
Acciaio	13 mm	13 mm	13 mm
Legno	45 mm	50 mm	65 mm
Vite per legno	6 mm x 75 mm	6 mm x 75 mm	10 mm x 89 mm
Vite a ferro	6 mm	6 mm	6 mm
Velocità a vuoto (min ⁻¹)			
Alta (3)	0 – 1.600	0 – 1.700	0 – 1.700
Media (2)	0 – 550	0 – 600	0 – 600
Bassa (1)	0 – 300	0 – 300	0 – 300
Lunghezza totale	246 mm	246 mm	246 mm
Peso netto	2,2 kg	2,3 kg	2,6 kg
Tensione nominale	C.c. 12 V	C.c. 14,4 V	C.c. 18 V

- Per il nostro programma di ricerca e sviluppo continui, i dati tecnici sono soggetti a modifiche senza preavviso.
- Nota: I dati tecnici potrebbero differire a seconda del paese di destinazione del modello.

Utilizzo previsto

Questo utensile è progettato per la foratura e l'avvitamento delle viti nel legno, metallo e plastica.

Consigli per la sicurezza

Per la vostra sicurezza, riferitevi alle accluse istruzioni per la sicurezza.

REGOLE ADDIZIONALI DI SICUREZZA PER GLI UTENSILI ELETTRICI

NON lasciare che la comodità o la familiarità d'utilizzo con il prodotto (acquistata con l'uso ripetuto) sostituisca la stretta osservanza delle norme di sicurezza. Se si usa questo utensile in modo insicuro o sbagliato, c'è pericolo di serie lesioni personali.

1. Usare i manici ausiliari forniti con l'utensile.
La perdita di controllo può causare lesioni personali.
2. Tenere gli utensili elettrici per le superfici isolate quando si eseguono operazioni di taglio dove l'utensile potrebbe fare contatto con fili elettrici nascosti o con il proprio cavo di alimentazione. Il contatto con un filo elettrico "sotto tensione" mette le parti metalliche dell'utensile "sotto tensione" con pericolo di scosse per l'operatore.
3. Accertarsi sempre di avere i piedi appoggiati saldamente.
Accertarsi che non ci sia nessuno sotto quando si usa l'utensile in un posto alto.
4. Tenere saldamente l'utensile.
5. Tenere le mani lontane dalle parti rotanti.
6. Non far funzionare l'utensile senza usarlo. Farlo funzionare soltanto tenendolo in mano.

7. **Non toccare la punta del trapano o il pezzo da lavorare immediatamente dopo il lavoro, perché potrebbero essere estremamente caldi e causare bruciature.**
8. **Alcuni materiali contengono sostanze chimiche che potrebbero essere tossiche. Fare attenzione per evitarne l'inalazione o il contatto con la pelle. Osservare i dati per la sicurezza forniti dal produttore del materiale.**

CONSERVARE QUESTE ISTRUZIONI.

(Per la Svizzera soltanto)
Protezione dell'ambiente

La Vostra contribuzione per la protezione dell'ambiente:

Porta la batteria al collettivo ufficiale.



ISTRUZIONI IMPORTANTI DI SICUREZZA PER IL CARICABATTERIA E LA CARTUCCIA DELLA BATTERIA

1. Prima di usare la cartuccia della batteria, leggere tutte le istruzioni e le avvertenze sul (1) carica-batteria, sulla (2) batteria e sul (3) prodotto che utilizza la batteria.
2. Non smontare la cartuccia della batteria.
3. Se il tempo di utilizzo è diventato molto corto, smettere immediatamente di usare l'utensile. Può risultare un rischio di surriscaldamento, possibili ustioni e addirittura un'esplosione.
4. Se l'elettrolita va negli occhi, risciacquarli con acqua pulita e rivolgersi immediatamente ad un medico. Può risultare la perdita della vista.
5. Coprire sempre i terminali della batteria con il coperchio della batteria quando non si usa la cartuccia della batteria.

6. **Non cortocircuitare la cartuccia della batteria:**
 - (1) Non toccare i terminali con qualche metallo conduttivo.
 - (2) Evitare di conservare la cartuccia della batteria in un contenitore con altri oggetti metallici come i chiodi, le monete, ecc.
 - (3) Non esporre la cartuccia della batteria all'acqua o alla pioggia.
Un cortocircuito della batteria può causare un grande flusso di corrente, il surriscaldamento, possibili ustioni e addirittura un guasto.
7. **Non conservare l'utensile e la cartuccia della batteria in luoghi in cui la temperatura può raggiungere o superare i 50°C.**
8. **Non incenerire la cartuccia della batteria anche se è gravemente danneggiata o è completamente esaurita. La cartuccia della batteria può esplodere e provocare un incendio.**
9. **Fare attenzione a non lasciar cadere o a colpire la batteria.**

CONSERVARE QUESTE ISTRUZIONI.

Suggerimenti per mantenere la durata massima della batteria

1. **Caricare la cartuccia della batteria prima che si scarichi completamente.**
Smettere sempre di usare l'utensile e caricare la cartuccia della batteria quando si nota che la potenza dell'utensile è diminuita.
2. **Non ricaricare mai una cartuccia della batteria completamente carica. La sovraccarica riduce la durata della batteria.**
3. **Caricare la cartuccia della batteria con la temperatura ambiente da 10°C a 40°C. Lasciar raffreddare una cartuccia della batteria calda prima di caricarla.**
4. **Caricare la cartuccia della batteria all'idruro di nickel metallico quando non la si usa per più di sei mesi.**

DESCRIZIONE FUNZIONALE

ATTENZIONE:

- Accertarsi sempre che l'utensile sia spento e che la batteria sia stata rimossa prima di regolare o di controllare il funzionamento dell'utensile.

Installazione e rimozione della cartuccia batteria (Fig. 1)

- Spegnerne sempre l'utensile prima di inserire o di rimuovere la cartuccia batteria.
- Per rimuovere la cartuccia batteria, toglierla dall'utensile schiacciando i bottoni su entrambi i lati della batteria.
- Per inserire la cartuccia batteria, allineare l'appendice sulla cartuccia batteria con la scanalatura dell'alloggiamento e inserirla in posizione. Inserirlo sempre completamente finché non si blocca con un piccolo scatto. In caso contrario, potrebbe cadere dall'utensile con pericolo di ferite per l'operatore o per chi gli è vicino.
- Non usare forza per inserire la cartuccia batteria. Se essa non entra facilmente, vuol dire che non è inserita correttamente.

Funzionamento dell'interruttore (Fig. 2)

ATTENZIONE:

- Prima di inserire la cartuccia batteria nell'utensile, accertarsi sempre che l'interruttore funzioni correttamente e ritorni sulla posizione "OFF" quando viene rilasciato.

Per avviare l'utensile, schiacciare semplicemente l'interruttore. La velocità dell'utensile aumenta con l'aumento della pressione del dito sull'interruttore. Rilasciare l'interruttore per fermare l'utensile.

Funzionamento dell'interruttore di inversione (Fig. 3)

Questo utensile è dotato di un interruttore di inversione, per cambiare la direzione di rotazione. Schiacciare la leva dell'interruttore di inversione dal lato A per la rotazione in senso orario, oppure dal lato B per la rotazione in senso antiorario.

Quando la leva dell'interruttore si trova sulla posizione neutra, non è possibile schiacciare l'interruttore.

ATTENZIONE:

- Controllare sempre la direzione di rotazione prima di usare l'utensile.
- Usare l'interruttore di inversione soltanto dopo che l'utensile si è fermato completamente. Il cambiamento della direzione di rotazione prima dell'arresto dell'utensile potrebbe danneggiarlo.
- Quando non si usa l'utensile, rimettere sempre la leva dell'interruttore di inversione sulla posizione neutra.

Cambiamento della velocità (Fig. 4)

Questo utensile ha una leva di cambio velocità a tre ingranaggi. Per cambiare la velocità, spegnere prima l'utensile e spingere poi la leva di cambio velocità sulla posizione "1" per la velocità bassa, sulla posizione "2" per la velocità media, e sulla posizione "3" per la velocità alta. Accertarsi che la leva di cambio velocità si trovi sulla posizione corretta prima di usare l'utensile. Usare la velocità adatta al lavoro.

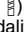

NOTA:

Quando si cambia la posizione da "1" a "3", o da "3" a "1", ci potrebbe essere una leggera difficoltà a spostare la leva di cambio velocità. Accendere allora l'utensile e farlo girare per qualche secondo alla posizione "2", fermarlo poi e spingere la leva sulla posizione desiderata.

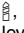
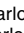

ATTENZIONE:

- Posizionare sempre correttamente la leva di cambio velocità. Se si fa funzionare l'utensile con la leva di cambio velocità su una posizione intermedia tra quelle "1", "2" e "3", lo si potrebbe danneggiare.
- Non usare la leva di cambio velocità durante il funzionamento dell'utensile, perché si potrebbe danneggiarlo.

Selezione del modo di funzionamento (Fig. 5)

Questo utensile è dotato di una leva di cambio della modalità di azione. Per la foratura, spingere la leva di cambio modalità di azione a sinistra (simbolo ). Per l'avvitamento, spingere la leva di cambio modalità di azione a destra (simbolo ).

NOTA:


Quando si cambia la posizione da  a , ci potrebbe essere una leggera difficoltà a spostare la leva di cambio modalità. Accendere allora l'utensile e farlo girare per qualche secondo alla posizione , fermarlo poi e spingere la leva sulla posizione desiderata.

ATTENZIONE:

- Spingere sempre completamente la leva di cambio modalità di azione sulla posizione della modalità desiderata. Se si fa funzionare l'utensile con la leva posizionata su un punto intermedio tra i simboli di modalità, lo si potrebbe danneggiare.
- Non spostare la leva di cambio modalità di azione mentre l'utensile sta funzionando. Lo si potrebbe danneggiare.

Regolazione della coppia di serraggio (Fig. 6)

La coppia di serraggio può essere regolata in 16 passi girando l'anello di registro, in modo che le sue graduazioni siano allineate con la freccia sul corpo della macchina.

Spingere la leva di cambio modalità di azione sulla posizione del simbolo .

La coppia di serraggio è minima quando il numero 1 è allineato con la freccia, e massima quando il numero 16 è allineato con la freccia. La frizione scivola a vari livelli di coppia quando si regola un numero da 1 a 16. Prima dell'operazione reale, avvitare una vite di prova nel materiale o in un duplicato del materiale, per determinare il livello di coppia necessario per una particolare applicazione.

NOTA:

- L'anello di regolazione non blocca se la freccia è posizionata soltanto su un punto intermedio tra le graduazioni.

MONTAGGIO

ATTENZIONE:

- Prima di effettuare ogni tipo di lavoro sull'utensile, assicuratevi sempre che essa sia spenta e che la batteria sia rimossa.

Installazione dell'impugnatura laterale (manico ausiliario) (Fig. 7)

Usare sempre l'impugnatura laterale per garantire la sicurezza. Installare l'impugnatura laterale in modo che la fascetta d'acciaio dell'impugnatura sia montata sul tamburo dell'utensile.

Stringere poi l'impugnatura girandola in senso orario sulla posizione desiderata. Essa può essere girata di 360°, in modo da poter essere fissata in qualsiasi posizione.

Installazione o rimozione della punta avvitatore o punta trapano

Girare il manico in senso antiorario per aprire le ganasce del mandrino. Inserire la punta nel mandrino finché non può andare più oltre. Girare il manico in senso orario per stringere il mandrino. Per rimuovere la punta, girare il manico in senso antiorario. (Fig. 8)


Se non si usa la punta avvitatore, tenerla nei portapunte. Qui si possono tenere le punte di 45 mm di lunghezza. (Fig. 9)

Asta di profondità regolabile (in dotazione) (Fig. 10)

L'asta di profondità regolabile serve a trapanare fori della stessa profondità. Allentare la vite di fermo, regolare la posizione desiderata e stringere la vite di fermo.

OPERAZIONE

Operazione di avvitemento (Fig. 11)

Spingere la leva di cambio modalità di azione sulla posizione del simbolo , e selezionare la coppia di serraggio.

Mettere la punta dell'avvitatore sulla testa della vite ed esercitare una pressione sull'utensile. Avviare l'utensile lentamente, aumentandone poi gradualmente la velocità. Rilasciare l'interruttore non appena la frizione si innesta.

NOTA:


- Accertarsi che la punta dell'avvitatore sia inserita dritta nella testa della vite, perché altrimenti si potrebbe danneggiare la vite e/o la punta.
- Per avvitare le viti per legno, praticare prima dei fori guida per facilitare l'avvitemento e prevenire lo scheggiamento del pezzo da lavorare. Vedere la tabella sotto.

Diametro nominale vite per legno (mm)	Diametro raccomandato foro guida (mm)
3,1	2,0–2,2
3,5	2,2–2,5
3,8	2,5–2,8
4,5	2,9–3,2
4,8	3,1–3,4
5,1	3,3–3,6
5,5	3,7–3,9
5,8	4,0–4,2
6,1	4,2–4,4

NOTA:

- Se si fa funzionare continuamente l'utensile finché la cartuccia batteria si scarica, lasciarlo riposare per 15 minuti prima di continuare con un'altra batteria.

Operazione di foratura

Spingere la leva di cambio modalità di azione sulla posizione del simbolo .

Foratura del legno

Forando il legno si ottengono i risultati migliori con le punte per legno dotate di viti guida. La vite guida facilita la foratura attirando la punta nel pezzo da lavorare.

Foratura del metallo

Per evitare che la punta scivoli quando si comincia il foro, fare una intaccatura con un punzone per centri e un martello sul punto da forare. Mettere poi la punta sull'intaccatura e cominciare a forare.

Per forare i metalli, usare un lubrificante di taglio. Le eccezioni sono il ferro e l'ottone, che devono essere trapanati a secco.

ATTENZIONE:

- Esercitando una pressione eccessiva sull'utensile non si accelera la foratura. Al contrario, tale pressione eccessiva può soltanto danneggiare la punta e ridurre le prestazioni e la vita dell'utensile.
- Quando la punta trapassa il materiale, l'utensile/punta vengono sottoposti ad una grandissima forza. Tenere saldamente l'utensile e stare molto attenti quando la punta sta per trapassare il materiale.
- Se la punta rimane incastrata, può essere rimossa usando l'interruttore di inversione per invertire la rotazione della punta per estrarla. L'utensile potrebbe però rinculare improvvisamente se non viene tenuto saldamente.
- Fissare sempre i piccoli pezzi da lavorare con una morsa od altro attrezzo simile per bloccarli.
- Se si fa funzionare continuamente l'utensile finché la cartuccia batteria si scarica, lasciarlo riposare per 15 minuti prima di continuare con un'altra batteria.

MANUTENZIONE

ATTENZIONE:

- Prima di cercare di eseguire l'ispezione o la manutenzione, assicuratevi sempre che essa sia spenta e che la batteria sia rimossa.

Sostituzione delle spazzole di carbone

(Figg. 12 e 13)

Rimuovere e ispezionare regolarmente le spazzole di carbone. Sostituirle quando sono consumate fino al limite di usura. Mantenere pulite le spazzole di carbone, che devono potersi muovere liberamente nel portaspazzole. Le spazzole di carbone vanno sostituite entrambe allo stesso tempo. Usare soltanto spazzole di carbone identiche.

Per rimuovere le spazzole di carbone, usare un cacciavite. Togliere le spazzole usurate, inserire le nuove e fissare i tappi del portaspazzole.

Per mantenere la SICUREZZA e l'AFFIDABILITÀ del prodotto, le riparazioni e qualsiasi altro intervento di manutenzione o regolazione dovrebbero essere eseguiti da un Centro di Assistenza Makita o da un Centro Autorizzato, sempre utilizzando ricambi Makita.

ACCESSORI

ATTENZIONE:

- Questi accessori o attrezzi sono consigliati per l'uso con l'utensile Makita specificato in questo manuale. L'impiego di altri accessori o attrezzi può costituire un rischio di lesioni alle persone. Usare gli accessori soltanto per il loro scopo prefissato.

Per ottenere maggiori dettagli su questi accessori, rivolgersi a un Centro Assistenza Makita autorizzato.

- Punte trapano
- Punte avvitatore
- Gruppo tampone di gomma
- Tampone di smerigliatura di schiuma
- Cuffia di lana
- Vari tipi di batterie e caricatori genuini Makita

Verklaring van algemene gegevens

1 Knop	8 Stelling	15 Boorhouder
2 Accu	9 Schaalverdelingen	16 Dieptestang
3 Trekschakelaar	10 Stalen band	17 Klemschroef
4 Omkeerschakelaar	11 Handgreepvoet	18 Limietmerkstreep
5 Toerentschakelaar	12 Zijhandgreep	19 Borstelhouderdop
6 Werkingskeuzehendel	13 Bus	20 Schroevendraaier
7 Wijzer	14 Boor	

TECHNISCHE GEGEVENS

Model	6319D	6339D	6349D
Capaciteiten			
Staal	13 mm	13 mm	13 mm
Hout	45 mm	50 mm	65 mm
Houtschroef	6 mm x 75 mm	6 mm x 75 mm	10 mm x 89 mm
Kolomschroef	6 mm	6 mm	6 mm
Toerental onbelast (min ⁻¹)			
Hoog (3).....	0 – 1 600	0 – 1 700	0 – 1 700
Middelmatig (2).....	0 – 550	0 – 600	0 – 600
Laag (1).....	0 – 300	0 – 300	0 – 300
Totale lengte	246 mm	246 mm	246 mm
Netto gewicht	2,2 kg	2,3 kg	2,6 kg
Nominale spanning	D.C. 12 V	D.C. 14,4 V	D.C. 18 V

- In verband met ononderbroken research en ontwikkeling behouden wij ons het recht voor bovenstaande technische gegevens te wijzigen zonder voorafgaande kennisgeving.
- Opmerking: De technische gegevens kunnen van land tot land verschillen.

Doeleinden van gebruik

Dit gereedschap is bedoeld voor het boren en het indraaien van schroeven in hout, metaal en plastic.

Veiligheidswenken

Voor uw veiligheid dient u de bijgevoegde Veiligheidsvoorschriften nauwkeurig op te volgen.

AANVULLENDE

VEILIGHEIDSVOORSCHRIFTEN VOOR HET ELEKTRISCH GEREEDSCHAP

Volg de veiligheidsvoorschriften voor boren ALTIJD strict op en laat u NIET misleiden door gemak of vertrouwdheid met het product (verworven na langdurig gebruik). Als u dit elektrisch gereedschap op een onveilige of onjuiste manier gebruikt, bestaat er gevaar voor ernstige persoonlijke verwonding.

1. Gebruik de hulphandgrepen die bij het gereedschap zijn meegeleverd.
Verlies van controle over het gereedschap kan persoonlijke verwonding tot gevolg hebben.
2. Houd elektrisch gereedschap vast bij de geïsoleerde handgreepoppervlakken wanneer u een werk uitvoert waarbij het snijgereedschap met verborgen bedrading of met zijn eigen netsnoer in aanraking kan komen. Door contact met onder spanning staande draden zullen de metalen delen van het gereedschap onder spanning komen te staan zodat de gebruiker een elektrische schok kan krijgen.

3. **Zorg ervoor dat u altijd stevige steun voor de voeten hebt.**
Controleer of er zich niemand beneden u bevindt wanneer u het gereedschap op een hoge plaats gaat gebruiken.
4. **Houd het gereedschap stevig vast.**
5. **Houd uw handen uit de buurt van de draaiende onderdelen.**
6. **Laat het gereedschap niet achter terwijl het nog in bedrijf is. Bedien het gereedschap alleen wanneer u het met beide handen vasthoudt.**
7. **Raak de boor of het werkstuk niet aan onmiddellijk na het gebruik; deze kunnen erg heet zijn en brandwonden veroorzaken.**
8. **Sommige materialen bevatten chemische stoffen die giftig kunnen zijn. Neem de nodige voorzorgsmaatregelen tegen inademing van stof en contact met de huid. Volg de veiligheidsinstructies van de leverancier van het materiaal op.**

BEWAAR DEZE VOORSCHRIFTEN.

BELANGRIJKE VEILIGHEIDSVOORSCHRIFTEN VOOR ACCULADER EN ACCU

1. Lees alle voorschriften en waarschuwingen op (1) de acculader, (2) de accu, en (3) het product waarvoor de accu wordt gebruikt, aandachtig door alvorens de acculader in gebruik te nemen.
2. Neem de accu niet uit elkaar.
3. Als de gebruikstijd van een opgeladen accu aanzienlijk korter is geworden, moet u het gebruik ervan onmiddellijk stopzetten. Voortgezet gebruik kan oververhitting, brandwonden en zelfs een ontploffing veroorzaken.
4. Als er elektrolyt in uw ogen is terechtgekomen, spoel dan uw ogen met schoon water en roep onmiddellijk de hulp van een dokter in. Elektrolyt in de ogen kan blindheid veroorzaken.

5. Bedek de accuklemmen altijd met de accupak wanneer u de accu niet gebruikt.
6. Voorkom kortsluiting van de accu:
 - (1) Raak de accuklemmen nooit aan met een geleidend materiaal.
 - (2) Bewaar de accu niet in een bak waarin andere metalen voorwerpen zoals spijkers, munten e.d. worden bewaard.
 - (3) Stel de accu niet bloot aan water of regen. Kortsluiting van de accu kan oorzaak zijn van een grote stroomafgifte, oververhitting, brandwonden, en zelfs defecten.
7. Bewaar het gereedschap en de accu niet op plaatsen waar de temperatuur kan oplopen tot 50°C of hoger.
8. Werp de accu nooit in het vuur, ook niet wanneer hij zwaar beschadigd of volledig versleten is. De accu kan namelijk ontploffen in het vuur.
9. Wees voorzichtig dat u de accu niet laat vallen en hem niet blootstelt aan schokken of stoten.

BEWAAR DEZE VOORSCHRIFTEN.

Tips voor een maximale levensduur van de accu

1. Laad de accu op voordat hij volledig ontladen is. Stop het gebruik van het gereedschap en laad de accu op telkens wanneer u vaststelt dat het vermogen van het gereedschap is afgenomen.
2. Laad een volledig opgeladen accu nooit opnieuw op. Als u de accu te veel oplaadt, zal hij minder lang meegaan.
3. Laad de accu op bij een kamertemperatuur tussen 10°C en 40°C. Laad een warme accu afkoelen alvorens hem op te laden.
4. Laad de nikkel-metaalhydride accu op telkens wanneer u hem langer dan zes maanden niet hebt gebruikt.

BESCHRIJVING VAN DE FUNCTIES

LET OP:

- Zorg altijd dat het gereedschap is uitgeschakeld en de accu ervan is verwijderd alvorens de functies op het gereedschap af te stellen of te controleren.

Installeren of verwijderen van de accu (Fig. 1)

- Schakel het gereedschap altijd uit alvorens de accu te installeren of te verwijderen.
- Om de accu te verwijderen, neemt u deze uit het gereedschap terwijl u de knoppen aan beide zijden van de accu indrukt.
- Om de accu te installeren, past u de rug op de accu in de groef in de behuizing van het gereedschap, en dan schuift u de accu naar binnen. Schuif de accu zo ver mogelijk erin, totdat deze met een klikgeluid vergrendelt. Indien u dit niet doet, kan de accu per ongeluk uit het gereedschap vallen en uzelf of anderen verwonden.
- Als de accu moeilijk in de houder gaat, moet u niet proberen hem met geweld erin te duwen. Indien de accu er niet gemakkelijk ingaat, betekent dit dat u hem niet op de juiste wijze erin steekt.

Werking van de trekschakelaar (Fig. 2)

LET OP:

- Alvorens de accu in het gereedschap te plaatsen, moet u altijd controleren of de trekschakelaar juist werkt en bij het loslaten naar de "OFF" positie terugkeert.

Om het gereedschap in te schakelen, drukt u gewoon de trekschakelaar in. Hoe dieper de trekschakelaar wordt ingedrukt, hoe sneller het gereedschap draait. Om het gereedschap uit te schakelen, de trekschakelaar loslaten.

Werking van de omkeerschakelaar (Fig. 3)

Dit gereedschap heeft een omkeerschakelaar voor het veranderen van de draairichting. Druk de omkeerschakelaar in vanaf zijde A voor rechtse draairichting, of vanaf zijde B voor linkse draairichting.

Wanneer deze schakelaar in de neutrale stand staat, kan de trekschakelaar niet worden ingedrukt.

LET OP:

- Controleer altijd de draairichting alvorens het gereedschap te gebruiken.
- Verander de stand van de omkeerschakelaar alleen nadat het gereedschap volledig tot stilstand is gekomen. Indien u de draairichting verandert terwijl de boor nog draait, kan het gereedschap beschadigd raken.
- Zet de omkeerschakelaar altijd in de neutrale stand wanneer u het gereedschap niet gebruikt.

Veranderen van de draaisnelheid (Fig. 4)

Dit gereedschap heeft een drie-snelheden snelheidskeuzehendel. Om de draaisnelheid te veranderen, schakelt u eerst het gereedschap uit en dan schuift u de snelheidskeuzehendel naar de positie "1" voor lage snelheid, de positie "2" voor middelmatige snelheid, of de positie "3" voor hoge snelheid. Zorg dat de snelheidskeuzehendel in de juiste positie staat alvorens met het werk te beginnen. Gebruik de draaisnelheid die geschikt is voor uw werk.


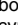
OPMERKING:

Wanneer u de positie wilt veranderen van "1" naar "3" of van "3" naar "1", kan het gebeuren dat de snelheidskeuzehendel moeilijk verschuift. Schakel in zo'n geval het gereedschap in en laat het een paar seconden draaien in de positie "2". Schakel vervolgens het gereedschap uit en schuif de hendel naar de gewenste positie.




LET OP:

- Schuif de snelheidskeuzehendel altijd volledig naar de juiste positie. Als u het gereedschap gebruikt met de hendel halverwege tussen de posities "1" en "2" of "2" en "3" geplaatst, kan het gereedschap beschadigd raken.
- Verschuif de toerentschakelaar niet terwijl het gereedschap draait. Hierdoor kan het gereedschap beschadigd raken.

Kiezen van de gewenste werking (Fig. 5)

Dit gereedschap is voorzien van een werkingskeuzehendel. Schuif de werkingskeuzehendel naar links ( symbool) om te boren, of schuif hem naar rechts ( symbool) om schroeven in te draaien.

OPMERKING:

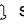
Wanneer u de positie wilt veranderen van  naar , kan het gebeuren dat de werkingskeuzehendel moeilijk verschuift. Schakel in zo'n geval het gereedschap in en laat het een paar seconden draaien in de positie . Schakel vervolgens het gereedschap uit en schuif de hendel naar de gewenste positie.

LET OP:

- Schuif de werkingskeuzehendel altijd volledig naar de gewenste positie. Als u het gereedschap gebruikt met de hendel halverwege tussen de werkingssymbolen geplaatst, kan het gereedschap beschadigd raken.
- Verander de positie van de werkingskeuzehendel niet terwijl het gereedschap draait. Als u dit doet, kan het gereedschap beschadigd raken.

Instellen van het draaimoment (Fig. 6)

Het draaimoment kan worden ingesteld in 16 stappen door de afstelring zodanig te draaien dat zijn schaalverdelingen overeenkomen met de wijzer op het huis van het gereedschap.

Schuif eerst de werkingskeuzehendel naar het  symbool.

Het draaimoment is minimaal wanneer het cijfer 1 overeenkomt met de wijzer, en is maximaal wanneer het cijfer 16 overeenkomt met de wijzer. Wanneer het draaimoment op een cijfer tussen 1 en 16 is ingesteld, zal de koppeling slippen bij de verschillende draaimomentniveaus. Alvorens met het eigenlijke werk te beginnen, moet u het geschikte draaimoment bepalen door een proefschroef in het werkstuk of in een stuk van hetzelfde materiaal te schroeven.

OPMERKING:

- De afstelring vergrendelt niet wanneer de wijzer halverwege tussen de schaalverdelingen is geplaatst.

INEENZETTEN

LET OP:

- Controleer altijd of het gereedschap is uitgeschakeld en de accu is losgekoppeld vooraleer onderhoud uit te voeren aan het gereedschap.

Installeren van de zijhandgreep (hulphandgreep)

(Fig. 7)

Gebruik altijd de zijhandgreep om een veilige bediening te verzekeren. Installeer de zijhandgreep zodanig dat zijn stalen band op de trommel van het gereedschap past.

Draai daarna de handgreep rechtsom vast in de gewenste positie. De handgreep kan 360° worden gedraaid zodat u deze in elke gewenste positie kunt vastzetten.

Installeren of verwijderen van de schroefbit of boor

Draai de bus naar links om de klauwen van de boorkop te openen. Steek de boor zo ver mogelijk in de boorkop. Draai de bus naar rechts om de boorkop vast te zetten. Om de boor te verwijderen, draait u de bus naar links.

(Fig. 8)

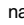
Berg de bits op in de bithouders wanneer u deze niet gebruikt. Bits van maximaal 45 mm lengte kunnen in de bithouders worden opgeborgen. (Fig. 9)

Afstelbare dieptestang (accessoire) (Fig. 10)

Gebruik de afstelbare dieptestang om gaten van gelijke diepte te boren. Draai de klemschroef los, zet de stang in de gewenste positie en draai vervolgens de klemschroef vast.

BEDIENING

Indraaien van schroeven (Fig. 11)

Schuif eerst de werkingskeuzehendel naar het  symbool en stel het juiste draaimoment in.

Plaats de punt van de schroefbit in de schroefkop en oefen druk op het gereedschap uit. Begin met lage snelheid en voer dan de snelheid geleidelijk op. Laat de trekshakelaar los zodra de koppeling ingrijpt.

OPMERKING:

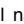
- Zorg ervoor dat u de schroefbit recht op de schroefkop plaatst, aangezien anders de schroef en/of de schroefbit beschadigd kan worden.
- Wanneer u houtschroeven indraait, maak dan voorboorgaten in het hout. Dit vergemakkelijkt het inschroeven en voorkomt dat het hout splijt. Zie de onderstaande tabel.

Nominale diameter van houtschroef (mm)	Aanbevolen diameter van voorboorgat (mm)
3,1	2,0–2,2
3,5	2,2–2,5
3,8	2,5–2,8
4,5	2,9–3,2
4,8	3,1–3,4
5,1	3,3–3,6
5,5	3,7–3,9
5,8	4,0–4,2
6,1	4,2–4,4

OPMERKING:

- Indien het gereedschap ononderbroken wordt gebruikt totdat de accu is ontladen, dient u het gereedschap 15 minuten te laten rusten vooraleer met een nieuwe accu verder te werken.

Boren

Schuif eerst de werkingskeuzehendel naar het  symbool.

Boren in hout

Voor boren in hout krijgt u de beste resultaten met houtboren die voorzien zijn van een geleideschroef. Het boren gaat dan gemakkelijker aangezien de geleideschroef de boor in het hout trekt.

Boren in metaal

Om te voorkomen dat de boor slijpt wanneer u begint te boren, moet u van te voren met een drevel een deukje in het metaal slaan op de plaats waar u wilt boren. Plaats vervolgens de boorpunt in het deukje en start het boren. Gebruik altijd boorolie wanneer u in metaal boort. De enige uitzonderingen zijn ijzer en koper die droog geboord dienen te worden.

LET OP:

- Door overmatige druk op het gereedschap uit te oefenen verloopt het boren niet sneller. Integendeel, teveel druk op het gereedschap zal alleen maar de boorpunt beschadigen, de prestatie van het gereedschap verminderen en de gebruiksduur verkorten.
- Wanneer de boor uit het gaatje tevoorschijn komt, wordt een enorme kracht uitgeoefend op het gereedschap en op de boor. Houd daarom het gereedschap stevig vast en wees op uw hoede wanneer de boor door het werkstuk begint te dringen.
- Wanneer de boor klemraakt, keert u met de omkeerschakelaar de draairichting om, om de boor uit het gaatje te krijgen. Het gereedschap kan echter plotseling terugspringen indien u het niet stevig vasthoudt.
- Kleine werkstukken dient u altijd eerst vast te zetten in een klemschroef of iets dergelijks.
- Indien het gereedschap ononderbroken wordt gebruikt totdat de accu is ontladen, dient u het gereedschap 15 minuten te laten rusten alvorens met een nieuwe accu verder te werken.

ONDERHOUD

LET OP:

- Controleer altijd of het gereedschap is uitgeschakeld en de accu is losgekoppeld voordat u begint met inspectie of onderhoud.

Vervangen van de koolborstels (Fig. 12 en 13)

Verwijder en controleer regelmatig de koolborstels. Vervang de koolborstels wanneer deze tot aan de limietmerkstreep versleten zijn. Houd de koolborstels schoon zodat ze vlot in hun houders glijden. Beide koolborstels dienen tegelijkertijd te worden vervangen. Gebruik uitsluitend identieke koolborstels.

Gebruik een schroevendraaier om de koolborsteldoppen te verwijderen. Haal de versleten koolborstels eruit, schuif de nieuwe erin, en zet de koolborsteldoppen goed vast.

Om de VEILIGHEID en BETROUWBAARHEID van het gereedschap te verzekeren, dienen alle reparaties, onderhoudsbeurten of afstellingen te worden uitgevoerd bij een erkend Makita Servicecentrum of Fabriekservicecentrum, en dit uitsluitend met gebruik van Makita vervangingsonderdelen.

ACCESSOIRES

LET OP:

- Deze accessoires of hulpstukken worden aanbevolen voor gebruik met het Makita gereedschap dat in deze gebruiksaanwijzing is beschreven. Bij gebruik van andere accessoires of hulpstukken bestaat er gevaar voor persoonlijke verwonding. Gebruik de accessoires of hulpstukken uitsluitend voor hun bestemde doel.

Raadpleeg het dichtstbijzijnde Makita Servicecentrum voor verder advies of bijzonderheden omtrent deze accessoires.

- Boorbits
- Schroefbits
- Rubber steunschijf set
- Schuimrubber polijstkussen
- Wollen poetschijf
- Diverse types originele Makita accu's en acculaders

Explicación de los dibujos

1 Botón	7 Flecha	15 Portapunta
2 Cartucho de batería	8 Anillo de ajuste	16 Tope de profundidad
3 Interruptor de gatillo	9 Graduaciones	17 Tornillo de apriete
4 Conmutador de inversión	10 Banda metálica	18 Marca de límite
5 Conmutador de cambio de velocidad	11 Base de la empuñadura	19 Tapón portaescobillas
6 Palanca de cambio del modo de accionamiento	12 Empuñadura lateral	20 Destornillador
	13 Mandril	
	14 Punta de atornillar	

ESPECIFICACIONES

Modelo	6319D	6339D	6349D
Capacidades			
Acero	13 mm	13 mm	13 mm
Madera	45 mm	50 mm	65 mm
Tornillo para madera	6 mm x 75 mm	6 mm x 75 mm	10 mm x 89 mm
Tornillo para máquina	6 mm	6 mm	6 mm
Velocidad en vacío (min ⁻¹)			
Alta (3)	0 – 1.600	0 – 1.700	0 – 1.700
Media (2)	0 – 550	0 – 600	0 – 600
Baja (1)	0 – 300	0 – 300	0 – 300
Longitud total	246 mm	246 mm	246 mm
Peso neto	2,2 kg	2,3 kg	2,6 kg
Tensión nominal	CC 12 V	CC 14,4 V	CC 18 V

- Debido a un programa continuo de investigación y desarrollo, las especificaciones aquí dadas están sujetas a cambios sin previo aviso.
- Nota: Las especificaciones pueden ser diferentes de país a país.

Uso previsto

La herramienta ha sido prevista para taladrar y atornillar en madera, metal y plástico.

Sugerencias de seguridad

Para su propia seguridad, consulte las instrucciones de seguridad incluidas.

NORMAS DE SEGURIDAD ADICIONALES PARA LA HERRAMIENTA ELÉCTRICA

NO deje que la comodidad o familiaridad con el producto (a base de utilizarlo repetidamente) sustituya la estricta observancia de las normas de seguridad para el taladro. Si utiliza esta herramienta eléctrica de forma no segura o incorrecta, podrá sufrir graves heridas personales.

1. Utilice los mangos auxiliares suministrados con la herramienta. La pérdida de control puede ocasionar heridas personales.
2. Cuando realice una operación en la que la herramienta de corte pueda entrar en contacto con cableado oculto o con su propio cable, sujete la herramienta eléctrica por las superficies de aislamiento aisladas. El contacto con un cable con corriente hará que la corriente circule por las partes metálicas de la herramienta y electrocute al operario.
3. Asegúrese siempre de pisar sobre suelo firme. Asegúrese de que no haya nadie debajo cuando utilice la herramienta en lugares altos.
4. Sujete firmemente la herramienta.
5. Mantenga las manos alejadas de las partes giratorias.

6. No deje la herramienta funcionando. Téngala en marcha solamente cuando esté es sus manos.
7. No toque la broca o la pieza de trabajo inmediatamente después de haber trabajado con ellas; podrían estar muy calientes y producirle quemaduras en la piel.
8. Algunos materiales contienen sustancias químicas que podrán ser tóxicas. Tenga precaución para evitar la inhalación de polvo y el contacto con la piel. Siga los datos de seguridad del abastecedor del material.

GUARDE ESTAS INSTRUCCIONES.

INSTRUCCIONES DE SEGURIDAD IMPORTANTES PARA EL CARGADOR Y CARTUCHO DE BATERÍA

1. Antes de utilizar el cartucho de batería, lea todas las instrucciones e indicaciones de precaución sobre (1) el cargador de baterías, (2) la batería, y (3) el producto con el que se utiliza la batería.
2. No desarme el cartucho de batería.
3. Si el tiempo de uso del cartucho de batería se acorta demasiado, deje de usarlo inmediatamente. Podría resultar en un riesgo de recalentamiento, posibles quemaduras e incluso una explosión.
4. Si entra electrólito en sus ojos, aclárelos con agua limpia y vea a un médico inmediatamente. Existe el riesgo de poder perder la vista.
5. Cubra siempre los terminales de la batería con la tapa de la batería cuando no esté usando el cartucho de batería.
6. No cortocircuite el cartucho de batería:
 - (1) No toque los terminales con ningún material conductor.

(2) Evite guardar el cartucho de batería en un cajón junto con otros objetos metálicos, tales como clavos, monedas, etc.

(3) No exponga el cartucho de batería al agua ni a la lluvia.

Un cortocircuito en la batería puede producir una gran circulación de corriente, un recalentamiento, posibles quemaduras e incluso una rotura de la misma.

7. No guarde la herramienta ni el cartucho de batería en lugares donde la temperatura pueda alcanzar o exceder los 50°C.
8. Nunca incinere el cartucho de batería incluso en el caso de que esté dañado seriamente o ya no sirva en absoluto.
El cartucho de batería puede explotar si se tira al fuego.
9. Tenga cuidado de no dejar caer ni golpear el cartucho de batería.

GUARDE ESTAS INSTRUCCIONES.

Consejos para alargar al máximo la vida de servicio de la batería

1. Cargue el cartucho de batería antes de que se descargue completamente.
Pare siempre la operación y cargue el cartucho de batería cuando note menos potencia en la herramienta.
2. No cargue nunca un cartucho de batería que esté completamente cargado.
La sobrecarga acortará la vida de servicio de la batería.
3. Cargue el cartucho de batería a temperatura ambiente de 10°C – 40°C. Si un cartucho de batería está caliente, déjelo enfriar antes de cargarlo.
4. Cargue el cartucho de batería de hidruro metálico de níquel cuando no lo utilice durante más de seis meses.

DESCRIPCIÓN DEL FUNCIONAMIENTO

PRECAUCIÓN:

- Asegúrese siempre de que la herramienta esté apagada y el cartucho de batería extraído antes de realizar cualquier ajuste o comprobación en la herramienta.

Instalación o extracción del cartucho de batería (Fig. 1)

- Antes de insertar o retirar el cartucho de batería, asegúrese siempre de desconectar la herramienta.
- Para retirar el cartucho de batería, sáquelo de la herramienta mientras presiona los botones a cada lado del mismo.
- Para insertar el cartucho de batería, alinee la lengüeta del cartucho de batería con la acanaladura en el alojamiento y deslícelo hasta alojarlo en su lugar. Insértelo siempre a fondo hasta que quede bloqueado produciendo un ligero chasquido. En caso contrario, podría caerse accidentalmente de la herramienta y causarle heridas a usted o a alguien que se encuentre cerca de usted.
- No fuerce la introducción del cartucho de batería. Si el cartucho no se desliza hacia dentro fácilmente, quiere decir que no está siendo insertado correctamente.

Accionamiento del interruptor (Fig. 2)

PRECAUCIÓN:

- Antes de insertar el cartucho de batería, compruebe siempre para ver si el interruptor de gatillo se acciona correctamente y regresa a la posición "OFF" cuando se libera.

Para encender la herramienta, simplemente presione el gatillo. La velocidad de la herramienta aumenta incrementando la presión ejercida en el gatillo. Suelte el gatillo para parar.

Accionamiento del conmutador de inversión (Fig. 3)

Esta herramienta tiene un conmutador de inversión para cambiar la dirección de rotación. Presione el conmutador de inversión del lado A para que gire hacia la derecha o del lado B para que gire hacia la izquierda.

Cuando el conmutador de inversión esté en la posición neutra, el interruptor de gatillo no podrá ser accionado.

PRECAUCIÓN:

- Compruebe siempre la dirección de rotación antes de realizar la operación de trabajo.
- Emplee el conmutador de inversión sólo después de que la herramienta esté completamente parada. Si cambia la dirección de rotación antes de que la herramienta se pare podrá dañarla.
- Cuando no esté utilizando la herramienta, ponga siempre el conmutador de inversión en la posición neutra.

Cambio de velocidad (Fig. 4)

Esta herramienta tiene una palanca de cambio de velocidad de cuatro marchas. Para cambiar la velocidad, en primer lugar apague la herramienta y después deslice la palanca de cambio de velocidad a la posición "1" para velocidad baja, posición "2" para velocidad media o posición "3" para velocidad alta. Asegúrese de que la palanca de cambio de velocidad esté puesta en la posición correcta antes de realizar la operación. Utilice la velocidad correcta para su trabajo.


NOTA:

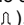
Cuando cambie la posición de "1" a "3" o de "3" a "1", podrá resultar un poco difícil deslizar la palanca de cambio de velocidad. En este caso, encienda la herramienta y déjala funcionar durante un segundo en la posición "2", después pare la herramienta y deslícela hasta la posición deseada.

PRECAUCIÓN:




- Ponga siempre la palanca de cambio de velocidad completamente en la posición correcta. Si utiliza la herramienta con la palanca de cambio de velocidad puesta a medias entre la posición "1" y "2" o la posición "2" y "3", la herramienta podrá dañarse.
- No utilice el conmutador de cambio de velocidad cuando la herramienta esté funcionando. La herramienta podría dañarse.

Selección del modo de accionamiento (Fig. 5)

Esta herramienta tiene una palanca de cambio del modo de accionamiento. Para taladrar, deslice la palanca de cambio del modo de accionamiento hacia la izquierda (símbolo ).

Para atornillar, deslice la palanca de cambio del modo de accionamiento hacia la derecha (símbolo ).

NOTA:


Cuando cambie la posición de  a , podrá resultar un poco difícil deslizar la palanca de cambio del modo. En este caso, encienda la herramienta y déjela funcionar durante un segundo en la posición , después pare la herramienta y deslicela hasta la posición deseada.

PRECAUCIÓN:

- Deslice siempre la palanca de cambio del modo de accionamiento a tope hasta la posición del modo deseado. Si utiliza la herramienta con la palanca de cambio del modo de accionamiento puesta a medias entre los símbolos de modo, la herramienta podrá dañarse.
- No utilice la palanca de cambio del modo de accionamiento mientras la herramienta esté en marcha. Podría dañarse la herramienta.

Ajuste del par de apriete (Fig. 6)

El par de apriete puede ajustarse en 16 pasos girando el anillo de ajuste para que sus graduaciones queden alineadas con la flecha del cuerpo de la máquina.

En primer lugar, deslice la palanca de cambio del modo de accionamiento a la posición del símbolo .

La torsión de apriete es mínima cuando el número 1 está alineado con la flecha, y máximo cuando el número 16 está alineado con la flecha. El embrague patinará a varios niveles de torsión cuando esté puesto en los números 1 al 16. Antes de la operación real, atornille un tornillo de prueba en el material a utilizar o en un trozo del mismo material para determinar el nivel de torsión requerido para una aplicación en particular.

NOTA:

- El anillo de ajuste no se bloqueará cuando la flecha esté puesta solamente a medias entre las graduaciones.

MONTAJE

PRECAUCIÓN:

- Asegúrese siempre de que la herramienta está apagada y de que el cartucho de baterías está quitado antes de realizar cualquier trabajo en la herramienta.

Instalación de la empuñadura lateral (mango auxiliar) (Fig. 7)

Utilice siempre la empuñadura lateral para garantizar la seguridad de la operación.

Instale la empuñadura lateral de manera que la banda metálica de la empuñadura encaje en el barril de la herramienta.

Después apriete la empuñadura girándola hacia la derecha en la posición deseada. Puede girarse 360° para poder sujetarla en cualquier posición.

Instalación o desmontaje de la punta de atornillar o broca

Gire el anillo hacia la izquierda para abrir las garras del mandril.

Ponga la broca en el mandril a tope. Gire el anillo hacia la derecha para apretar el mandril. Para desmontar la broca, gire el anillo hacia la izquierda. (Fig. 8)


Cuando no esté utilizando la punta de atornillar, manténgala en el portapuntas. Aquí se pueden poner puntas de atornillar de hasta 45 mm. (Fig. 9)

Tope de profundidad ajustable (accesorio) (Fig. 10)

El tope de profundidad ajustable se utiliza para taladrar agujeros de profundidad uniforme. Afloje el tornillo de apriete, ajuste la posición deseada, después apriete el tornillo de apriete.

OPERACIÓN

Operación de atornillamiento (Fig. 11)

En primer lugar, deslice la palanca de cambio del modo de accionamiento a la posición del símbolo  y seleccione la torsión de apriete.

Coloque la punta del implemento de atornillar en la cabeza del tornillo y aplique presión a la herramienta. Ponga la herramienta en marcha lentamente y luego aumente la velocidad poco a poco. Suelte el gatillo tan pronto como el embrague incida.

NOTA:


- Asegúrese de que el implemento de atornillar esté insertado en línea recta en la cabeza del tornillo, o el tornillo y/o el implemento podrían dañarse.
- Cuando atornille tornillos para madera, taladre agujeros piloto previamente para que le resulte más fácil taladrar y prevenir que se abra la pieza de trabajo. Consulte el cuadro de abajo.

Diámetro nominal del tornillo para madera (mm)	Diámetro recomendado del agujero piloto (mm)
3,1	2,0–2,2
3,5	2,2–2,5
3,8	2,5–2,8
4,5	2,9–3,2
4,8	3,1–3,4
5,1	3,3–3,6
5,5	3,7–3,9
5,8	4,0–4,2
6,1	4,2–4,4

NOTA:

- Si hace funcionar la herramienta continuamente hasta que se descargue el cartucho de batería, deje que la herramienta descance durante 15 minutos antes de continuar con una batería fresca.

Operación de taladrado

En primer lugar, deslice la palanca de cambio del modo de accionamiento a la posición del símbolo .

Para taladrar madera

Cuando se taladre madera, los mejores resultados se obtendrán con brocas para madera equipadas con tornillo guía. El tornillo guía facilita el taladrado al tirar de la broca hacia el interior de la pieza de trabajo.

Para taladrar metal

Para evitar que la broca resbale al comenzar a taladrar, haga una mella con un punzón y martillo en el punto donde vaya a taladrar. Coloque la punta de la broca en la mella y comience a taladrar.

Emplee un lubricante para operaciones de corte cuando taladre metales. Las excepciones son acero y latón que deberán ser taladrados en seco.

PRECAUCIÓN:

- Con ejercer una presión excesiva sobre la herramienta no conseguirá taladrar más de prisa. De hecho, esta presión excesiva sólo servirá para dañar la punta de la broca, disminuir el rendimiento de la herramienta y acortar su vida útil.
- Al momento de comenzar a agujerear se ejerce una fuerza tremenda sobre la herramienta/broca. Sujete la herramienta firmemente y tenga cuidado cuando la broca comience a penetrar en la pieza de trabajo.
- Una broca que se haya bloqueado podrá sacarse simplemente poniendo el conmutador de inversión en rotación inversa para retroceder. Sin embargo, la herramienta podría retroceder bruscamente si no la sujetase firmemente.
- Sujete siempre las piezas de trabajo pequeñas en un tornillo de banco o herramienta de sujeción similar.
- Si hace funcionar la herramienta continuamente hasta que se descargue el cartucho de batería, deje que la herramienta descanse durante 15 minutos antes de continuar con una batería fresca.

MANTENIMIENTO

PRECAUCIÓN:

- Asegúrese siempre de que la herramienta está apagada y de que el cartucho de baterías está quitado antes de intentar hacer una inspección o mantenimiento.

Reemplazo de las escobillas de carbón

(Fig. 12 y 13)

Extraiga y compruebe las escobillas de carbón regularmente. Reemplácelas cuando se hayan gastado hasta la marca de límite. Mantenga las escobillas de carbón limpias y de forma que entren libremente en el portaescobillas. Ambas escobillas de carbón deberán ser reemplazadas al mismo tiempo. Utilice únicamente escobillas de carbón idénticas.

Utilice un destornillador para quitar los tapones portaescobillas. Extraiga las escobillas gastadas, inserte las nuevas y vuelva a fijar los tapones portaescobillas.

Para mantener la **SEGURIDAD** y **FIABILIDAD** del producto, las reparaciones, y otras tareas de mantenimiento o ajuste deberán ser realizadas en Centros Autorizados o Servicio de Fábrica de Makita, empleando siempre repuestos Makita.

ACCESORIOS

PRECAUCIÓN:

- Estos accesorios o aditamentos están recomendados para su uso con la herramienta Makita especificada en este manual. El uso de cualquier otro accesorio o aditamento puede suponer un riesgo de lesiones personales. Utilice el accesorio o aditamento exclusivamente para su uso declarado.

Si necesita información más detallada sobre estos accesorios, consulte con su centro local de servicio de Makita.

- Brocas
- Puntas de atornillar
- Conjunto de lijadora de goma
- Tambor de espuma para pulir
- Gorra de algodón
- Diferentes tipos de baterías y cargadores genuinos de Makita

1 Botão	7 Seta	14 Broca
2 Bateria	8 Anel de regulação	15 Suporte da broca
3 Gatilho do interruptor	9 Graduações	16 Varão de profundidade
4 Comutador de inversão	10 Faixa de aço	17 Parafuso de aperto
5 Selector de velocidade	11 Base do punho	18 Marca limite
6 Alavanca de mudança do modo de acção	12 Punho lateral	19 Tampa do porta escovas
	13 Manga	20 Chave de fendas

ESPECIFICAÇÕES

Modelo	6319D	6339D	6349D
Capacidades			
Aço	13 mm	13 mm	13 mm
Madeira	45 mm	50 mm	65 mm
Parafuso para madeira	6 mm x 75 mm	6 mm x 75 mm	10 mm x 89 mm
Parafuso de rosca fina	6 mm	6 mm	6 mm
Velocidade em vazio (min ⁻¹)			
Alta (3)	0 – 1.600	0 – 1.700	0 – 1.700
Médio (2)	0 – 550	0 – 600	0 – 600
Baixa (1)	0 – 300	0 – 300	0 – 300
Comprimento total	246 mm	246 mm	246 mm
Peso	2,2 kg	2,3 kg	2,6 kg
Voltagem nominal	12 V C.C.	14,4 V C.C.	18 V C.C.

- Devido a um programa contínuo de pesquisa e desenvolvimento, estas especificações podem ser alteradas sem aviso prévio.
- Nota: As especificações podem variar de país para país.

Utilização pretendida

A ferramenta foi concebida para perfurar e aparafusar em madeira, metal e plástico.

Conselhos de segurança

Para sua segurança, leia as instruções anexas.

REGRAS DE SEGURANÇA ADICIONAL PARA FERRAMENTA ELÉCTRICA

NÃO deixe que conforto ou familiaridade com o produto (ganho com o uso repetido) substitua uma aderência estrita às regras de segurança de perfuração. Se utilizar esta ferramenta eléctrica de modo inseguro ou incorrectamente, pode sofrer danos pessoais graves.

1. Utilize as pegas auxiliares fornecidas com a ferramenta.
Perca de controlo pode causar danos pessoais.
2. Agarre na ferramenta pelos punhos isolados quando executa uma operação em que a ferramenta de corte pode contactar fios eléctricos escondidos ou o seu próprio cabo. O contacto com um fio “vivo” fará com que as partes de metal expostas fiquem “vivas” e originem um choque no operador.
3. Certifique-se sempre de que se mantém equilibrado.
Certifique-se de que ninguém está por baixo quando trabalhar em locais altos.
4. Segure na ferramenta firmemente.
5. Mantenha as mãos afastadas das partes rotativas.
6. Não deixe a ferramenta a funcionar. Funcione com a ferramenta só quando estiver a agarrá-la.

7. Não toque na broca ou na peça de trabalho imediatamente depois da operação; podem estar extremamente quentes e pode queimar-se.
8. Alguns materiais contêm químicos que podem ser tóxicos. Tenha cuidado para evitar inalação de pó e contacto com a pele. Cumpra os dados de segurança do fornecedor do material.

GUARDE ESTAS INSTRUÇÕES.

IMPORTANTES INSTRUÇÕES DE SEGURANÇA PARA O CARREGADOR E BATERIA

1. Antes de utilizar a bateria, leia todas as instruções e etiquetas de precaução no (1) carregador de bateria (2) bateria e (3) produto que utiliza a bateria.
2. Não abra a bateria.
3. Se o tempo de funcionamento se tornar excessivamente curto, páre o funcionamento imediatamente. Pode resultar em sobreaquecimento, possíveis queimaduras e mesmo explosão.
4. Se entrar electrólito nos seus olhos, lave-os com água e consulte imediatamente um médico. Pode resultar em perda de visão.
5. Cubra sempre os terminais da bateria com a capa da bateria quando a não estiver a utilizar.
6. Não curto-circuite a bateria:
 - (1) Não toque nos terminais com qualquer material condutor.
 - (2) Evite guardar a bateria juntamente com outros objectos metálicos tais como pregos, moedas, etc.
 - (3) Não exponha a bateria à água ou chuva. Um curto-circuito pode ocasionar um enorme fluxo de corrente, sobreaquecimento, possíveis queimaduras e mesmo estragar-se.

7. Não guarde a ferramenta e a bateria em locais onde a temperatura pode atingir ou exceder 50°C.
8. Não queime a bateria mesmo que esteja estragada ou completamente gasta. A bateria pode explodir no fogo.
9. Tenha cuidado para não deixar cair ou dar pancadas na bateria.

GUARDE ESTAS INSTRUÇÕES.

Conselhos para manter a máxima vida útil da bateria

1. Carregue a bateria antes que esteja completamente descarregada. Páre sempre o funcionamento da ferramenta e carregue a bateria quando notar menos poder na ferramenta.
2. Nunca carregue uma bateria completamente carregada. Carregamento excessivo diminui a vida útil da bateria.
3. Carregue a bateria à temperatura ambiente de 10°C – 40°C. Deixe que uma bateria quente arrefeça antes de a carregar.
4. Carregue a bateria de Níquel Metal Hidreto quando não a utilizar durante mais do que seis meses.

DESCRIÇÃO FUNCIONAL

PRECAUÇÃO:

- Certifique-se sempre de que a ferramenta está desligada e a bateria retirada antes de regular ou verificar qualquer função na ferramenta.

Instalar ou retirar a bateria (Fig. 1)

- Desligue sempre a ferramenta antes de colocar ou retirar a bateria.
- Para retirar a bateria, tire-a da ferramenta enquanto pressiona os botões em ambos os lados da bateria.
- Para colocar a bateria, alinhe a lingueta na bateria com a ranhura na caixa e deslize-a para o seu lugar. Coloque-a sempre completamente até que fique presa no lugar com um pequeno clique. Se assim não for, pode acidentalmente cair da ferramenta ferindo-o a si ou alguém próximo.
- Não utilize força quando coloca a bateria. Se a bateria não deslizar facilmente é porque não está colocada correctamente.

Acção do interruptor (Fig. 2)

PRECAUÇÃO:

- Antes de colocar a bateria na ferramenta certifique-se de que o gatilho funciona correctamente e volta para a posição “OFF” (desligado) quando o solta.

Para ligar a ferramenta carregue simplesmente no atilho. A velocidade da ferramenta aumenta quando aumenta a pressão no gatilho. Liberte o gatilho para parar.

Acção do comutador de inversão (Fig. 3)

Esta ferramenta tem um comutador de inversão para mudar a direcção de rotação. Pressione a alavanca do comutador de inversão no lado A para rotação para a direita ou no lado B para rotação para a esquerda. Quando a alavanca do interruptor está na posição neutra, não pode carregar no gatilho.

PRECAUÇÃO:

- Verifique sempre a direcção de rotação antes da operação.
- Só utilize o comutador de inversão quando a ferramenta estiver completamente parada. Mudar a direcção de rotação antes da ferramenta parar pode estragá-la.
- Quando não está a funcionar com a ferramenta, coloque sempre o comutador de inversão na posição neutra.

Mudança de velocidade (Fig. 4)

Esta ferramenta tem uma alavanca de mudança de velocidade com três mudanças. Para mudar a velocidade, primeiro desligue a ferramenta e em seguida deslize a alavanca de mudança de velocidade para a posição “1” para baixa velocidade, posição “2” para velocidade média ou posição “3” para alta velocidade. Certifique-se de que a alavanca de mudança de velocidade está colocada na posição correcta antes da operação. Utilize a velocidade correcta para o seu trabalho.

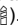

NOTA:

Quando muda a posição de “1” para “3” ou de “3” para “1” pode ser um pouco difícil deslizar a alavanca de mudança de velocidade. Nesse caso, ligue a ferramenta e funcione durante 1 segundo na posição “2” e em seguida páre a ferramenta e deslize para a posição desejada.




PRECAUÇÃO:

- Coloque sempre a alavanca de mudança de velocidade completamente na posição correcta. Se funcionar com a ferramenta com a alavanca de mudança de velocidade posicionada entre a posição “1”, “2” ou “3” pode estragar a ferramenta.
- Não utilize o selector de velocidade enquanto a ferramenta está funcionar. Pode estragar a ferramenta.

Seleção do modo de acção (Fig. 5)

Esta ferramenta tem uma alavanca de mudança do modo de acção. Para perfuração, deslize a alavanca de modo de acção para a esquerda (símbolo ). Para aparafusamento, deslize a alavanca de modo de acção para a direita (símbolo ).


NOTA:

Quando muda a posição de  para  pode ser um pouco difícil deslizar a alavanca de mudança do modo de acção. Nesse caso, ligue a ferramenta e funcione durante 1 segundo na posição  e em seguida páre a ferramenta e deslize para a posição desejada.

PRECAUÇÃO:

- Deslize sempre a alavanca de mudança do modo de acção completamente para a posição do modo desejado. Se funcionar com a ferramenta com a alavanca posicionada entre dois símbolos de modo, pode estragar a ferramenta.
- Não use a alavanca de mudança do modo de acção quando a ferramenta está a funcionar. Pode estragar a ferramenta.

Regulação do binário de aperto (Fig. 6)

O binário de aperto pode ser regulado em 16 posições rodando o anel de regulação de modo a que as graduações fiquem alinhadas com a seta no corpo da máquina. Primeiro, deslize a alavanca de mudança do modo de acção para a posição do símbolo .

O binário de aperto é mínimo quando o número 1 está alinhado com a seta, e máximo quando o número 16 está alinhado com a seta. A embreagem deslizará a vários níveis de binário quando colocada num número de 1 a 16. Antes da operação real, perfure um parafuso experimental no seu material ou num material idêntico para determinar qual o nível de binário requerido para uma aplicação particular.

NOTA:

- O anel de regulação não bloqueia quando a seta está posicionada a meio entre duas graduações.

MONTAGEM

PRECAUÇÃO:

- Certifique-se sempre de que a ferramenta se encontra desligada e de que a bateria foi retirada antes de efectuar qualquer inspecção e manutenção.

Instalação do punho lateral (pega auxiliar) (Fig. 7)

Utilize sempre o punho lateral para se assegurar de uma operação segura. Instale o punho lateral de modo a que a faixa de metal do punho encaixe no tambor da ferramenta.

Em seguida aperte o punho rodando-o para a esquerda para a posição desejada. Pode rodar 360° para ser preso em qualquer posição.

Instalar ou retirar a broca de aparafusar ou a broca de perfurar

Rode a manga para a esquerda para abrir as garras do mandril. Coloque a broca no mandril o mais fundo possível. Rode a manga para a direita para apertar o mandril. Para retirar a broca, rode a manga para a esquerda. (Fig. 8)


Quando não utiliza a broca de aparafusar, mantenha-a nos suportes da broca. Pode guardar brocas até 45 mm de comprimento. (Fig. 9)

Varão de profundidade regulável (acessório) (Fig. 10)

O varão de profundidade regulável é utilizado para perfurar orifícios de profundidade uniforme. Solte o parafuso de aperto, coloque na posição desejada e em seguida aperte o parafuso de aperto.

OPERAÇÃO

Operação de aparafusar (Fig. 11)

Primeiro, deslize a alavanca de mudança do modo de acção para o símbolo  e seleccione o binário de aperto.

Coloque a ponta da broca de aparafusar na cabeça do parafuso e aplique pressão na ferramenta. Comece com a ferramenta devagar e em seguida aumente gradualmente a velocidade. Liberte o gatilho assim que o aperto estiver feito.

NOTA:

- Certifique-se de que a broca de aparafusar está colocada direita na cabeça do parafuso ou o parafuso e/ou a broca podem estragar-se.


- Quando aparafusa parafusos para madeira, faça primeiro um orifício piloto para tornar o aparafusamento mais simples e evitar que a peça de trabalho lasque. Veja a tabela abaixo.

Diâmetro nominal do parafuso para madeira (mm)	Tamanho recomendado do orifício piloto (mm)
3,1	2,0–2,2
3,5	2,2–2,5
3,8	2,5–2,8
4,5	2,9–3,2
4,8	3,1–3,4
5,1	3,3–3,6
5,5	3,7–3,9
5,8	4,0–4,2
6,1	4,2–4,4

NOTA:

- Se a ferramenta funcionar continuamente até que a bateria fique descarregada, deixe-a descansar durante 15 minutos antes de continuar com uma bateria carregada.

Operação de perfuração

Primeiro, deslize a alavanca de mudança do modo de acção para o símbolo .

Perfuração em madeira

Quando perfura em madeira obtém melhores resultados com perfuradores para madeira que tenham um parafuso guia. O parafuso guia torna a perfuração mais fácil empurrando a broca para a peça a trabalhar.

Perfuração em metal

Para evitar que a broca deslize quando começa um buraco, faça um entalhe com um furador e martelo no ponto a ser perfurado. Coloque a ponta da broca no entalhe e comece a perfuração.

Utilize um lubrificante para corte quando perfura metal. As excepções são ferro e latão que devem ser perfurados em seco.

PRECAUÇÃO:

- Pressão excessiva na ferramenta não aumentará a velocidade de perfuração. De facto, pressão excessiva só servirá para estragar a ponta da broca, diminuir o rendimento da ferramenta e diminuir a sua vida útil.
- É exercida uma enorme força na ferramenta/broca quando acaba o buraco. Agarre na ferramenta firmemente e tenha cuidado quando a broca começa a atravessar a peça de trabalho.
- Se a broca ficar presa, pode retirá-la muito simplesmente colocando o comutador de inversão para inverter a rotação e fazer com que a broca ande para trás. No entanto a ferramenta pode recuar abruptamente se não lhe estiver a pegar firmemente.
- Prenda sempre peças pequenas num torno ou num mecanismo semelhante.
- Se a ferramenta funcionar continuamente até que a bateria esteja descarregada, deixe a ferramenta descansar durante 15 minutos antes de continuar com uma bateria carregada.

MANUTENÇÃO

PRECAUÇÃO:

- Certifique-se sempre de que a ferramenta se encontra desligada e de que a bateria foi retirada antes de executar qualquer inspeção ou manutenção.

Substituição das escovas de carvão (Fig. 12 e 13)

Desmonte e verifique as escovas de carvão regularmente. Substitua-as quando estas apresentarem um desgaste até à marca limite. Mantenha as escovas de carvão limpas e soltas, podendo deslizar nos suportes. Ambas as escovas de carvão devem ser substituídas em simultâneo. Utilize exclusivamente escovas de carvão idênticas.

Recorra a uma chave de fendas para retirar as tampas dos suportes de escovas. Retire as escovas de carvão gastas, introduza as novas e fixe as tampas dos suportes.

Para manter a **SEGURANÇA** e **FIABILIDADE** do produto, reparações, qualquer manutenção ou regulação deve ser executada por Serviços de Assistência Autorizados da Makita, utilizando sempre peças de substituição Makita.

ACESSÓRIOS

PRECAUÇÃO:

- Estes acessórios ou peças são recomendados para utilização com a ferramenta Makita especificada neste manual. A utilização de outros acessórios ou peças pode ser perigosa para as pessoas. Utilize apenas acessórios ou peças para os fins indicados.

Se precisar de ajuda para obter mais informações relativos a estes acessórios, entre em contacto com o centro de assistência Makita local.

- Brocas de perfurar
- Brocas de aparafusar
- Conjunto de almofada de borracha
- Almofada de espuma para polir
- Boina de lã
- Vários tipos de baterias Makita e carregadores

Illustrationsoversigt

1	Knap	8	Justeringsring	15	Bitholder
2	Akku	9	Inddelinger	16	Dybdestang
3	Afbryderknap	10	Stålbånd	17	Spændeskruer
4	Omdrejningsvælger	11	Grebase	18	Slidgrænse
5	Hastighedsvælger	12	Sidegreb	19	Kulholderdæksel
6	Funktionsmådevælgerarm	13	Omløber	20	Skruetrækker
7	Pil	14	Bit		

SPECIFIKATIONER

Model	6319D	6339D	6349D
Kapacitet			
Træ	13 mm	13 mm	13 mm
Stål	45 mm	50 mm	65 mm
Træskruer	6 mm x 75 mm	6 mm x 75 mm	10 mm x 89 mm
Maskinskrue	6 mm	6 mm	6 mm
Omdrejninger (ubelastet) (min ⁻¹)			
Høj (3)	0 – 1 600	0 – 1 700	0 – 1 700
Mellem (2)	0 – 550	0 – 600	0 – 600
Lav (1)	0 – 300	0 – 300	0 – 300
Længde	246 mm	246 mm	246 mm
Vægt	2,2 kg	2,3 kg	2,6 kg
Spænding	DC 12 V	DC 14,4 V	DC 18 V

- Ret til tekniske ændringer forbeholdes.
- Bemærk: Data kan variere fra land til land.

Tilsigtet anvendelse

Denne maskine er beregnet til boring og iskrurning af skruer i træ, metal og plastmaterialer.

Sikkerhedsbestemmelser

Af sikkerhedsgrunde bør De sætte Dem ind i de medfølgende Sikkerhedsforskrifter.

SUPPLERENDE SIKKERHEDSFORSKRIFTER FOR MASKINEN

LAD IKKE tilvænning eller kendskab til denne maskine (opnået gennem gentaget brug) forhindre at sikkerhedsreglerne for boring overholdes. Hvis denne maskine anvendes uden hensyn til sikkerheden og på en forkert måde, kan resultatet blive alvorlig personskade.

1. Anvend de hjælpehåndtag, som følger med maskinen.
Hvis kontrollen mistes, kan resultatet blive personskade.
2. Hold altid el-værktøj i dets gribeplader, når der udføres et arbejde, hvor maskinen kan komme i kontakt med skjulte el-ledninger eller dens egen ledning. Kontakt med en strømførende ledning, vil gøre uafdækkede metaldele på maskinen strømførende og give operatøren stød.
3. Sørg for, at De altid har sikkert fodfæste.
Ved brug af maskinen i større højde bør De sikre Dem, at der ikke står personer nedenunder arbejdsområdet.

4. Hold maskinen med begge hænder.
5. Hold håndtaget på god afstand af roterende dele.
6. Læg ikke maskinen fra Dem, mens den stadig kører. Maskinen må kun køre, når den holdes med begge hænder.
7. Rør ikke ved bor, skruebit eller emnet lige når arbejdet er afsluttet. Delene kan være ekstremt varme og forårsage forbrændinger.
8. En del materialer indeholder kemikalier, som kan være giftige. Sørg for at forhindre inhalering af støv og kontakt med huden. Følg fabrikantens sikkerhedsforskrifter.

GEM DISSE FORSKRIFTER.

VIGTIGE SIKKERHEDSFORSKRIFTER FOR OPLADER & BATTERIPATRON

1. Læs alle instruktioner og advarselsmærkater på (1) batteriopladeren, (2) batteriet og (3) produktet, som anvender batterier.
2. Lad være med at skille batteripatronen ad.
3. Hold straks op med at anvende opladeren, hvis brugstiden er blevet stærkt afkortet. Fortsat anvendelse kan resultere i risiko for overophedning, forbrændinger og endog eksplosion.
4. Hvis du har fået batterielektrolyt i øjnene, skal du straks skylle den ud med rent vand og derefter øjeblikkeligt søge lægehjælp. I modsat fald kan resultatet blive, at du mister synet.
5. Dæk altid batteriterminalerne med batteridækslet, når batteripatronen ikke anvendes.

6. Vær påpasselig med ikke at komme til at kortslutte batteripatronen:
 - (1) Rør ikke ved terminalerne med noget ledende materiale.
 - (2) Undgå at opbevare batteripatronen i en beholder sammen med andre genstande af metal, som for eksempel søm, mønter og lignende.
 - (3) Udsæt ikke batteripatronen for vand eller regn.
 Kortslutning af batteriet kan være årsag til en kraftig øgning af strømmen, overophedning, mulige forbrændinger og endog maskinstop.
7. Opbevar ikke maskinen og batteripatronen på et sted, hvor temperaturen kan nå eller overstige 50°C.
8. Lad være med at brænde batteriet, selv ikke i tilfælde, hvor det har lidt alvorlig skade eller er fuldstændig udtjent. Batteripatronen kan eksplodere, hvis man forsøger at brænde den.
9. Lad være med at brænde batteriet eller udsætte det for stød.

GEM DISSE FORSKRIFTER.

Tips til opnåelse af maksimal batterilevetid

1. Oplad altid batteripatronen, inden den er helt afladet.
Stop altid maskinen og oplad batteripatronen, hvis det bemærkes, at maskineffekten er dalende.
2. Genoplad aldrig en fuldt opladet batteripatron. Overopladning vil afkorte batteriets levetid.
3. Oplad batteripatronen ved stuetemperatur ved 10°C – 40°C. Lad altid en varm batteripatron få tid til at køle af, inden den oplades.
4. Oplad nikkel-metal-hydrid batteripatronen, hvis den ikke skal anvendes i mere end seks måneder.

FUNKTIONSBESKRIVELSE

FORSIGTIG:

- Sørg altid for at maskinen er slukket, og at akkuen er taget ud, før der udføres justering eller kontrol af funktioner på maskinen.

Montering og afmontering af akku (Fig. 1)

- Kontrollér altid, at maskinen er slået fra, før montering eller afmontering af akkuen.
- For at fjerne akkuen trykkes samtidigt på knapperne på begge sider af akkuen, mens denne trækkes ud af maskinen.
- For at sætte en ny akku i, placeres denne, så fjeren på akkuen passer med noten i åbningen på maskinen. Akkuen skubbes helt i bund, indtil den klikker på plads i begge sider. Kontrollér altid, at akkuen er helt fastlåst ved at trække i den.
- Brug aldrig magt, når akkuen skal sættes i. Hvis ikke akkuen glider i uden besvær, er det fordi, at den vender forkert.

Afbryderbetjening (Fig. 2)

FORSIGTIG:

- Før akkuen sættes i maskinen, bør det altid kontrolleres, at afbryderknappen fungerer korrekt og returnerer til "OFF" positionen, når den slippes.

For at starte maskinen trykkes der blot på afbryderen. Maskinens hastighed øges ved at øge trykket på afbryderen. Slip afbryderen for at stoppe.

Omløbsvælger (Fig. 3)

Denne maskinen har en omløbsvælger, der kan ændre omløbsretningen. Skub omløbsvælgeren ind fra A siden for omdrejning med uret, og fra B siden for omdrejning mod uret.

Når omløbsvælgeren er i neutral position, kan afbryderknappen ikke trykkes ind.

FORSIGTIG:

- Kontrollér altid omløbsretningen, før arbejdet påbegyndes.
- Brug kun omløbsvælgeren, når maskinen er helt stoppet. Hvis omløbsretningen ændres, inden maskinen er helt stoppet, kan det beskadige maskinen.
- Når maskinen ikke er i brug, bør omløbsvælgeren altid sættes i neutral position.

Hastighedsvælger (Fig. 4)

Denne maskine er forsynet med en hastighedsvælger med tre gear. For at ændre hastighed, skal man først afbryde maskinen og derefter trykke hastighedsvælgeren til stilling "1" for lav hastighed, stilling "2" for mellem hastighed eller stilling "3" for høj hastighed. Sørg for, at hastighedsvælgeren er sat i den korrekte stilling, inden arbejdet påbegyndes. Anvend den rigtige hastighed til det pågældende arbejde.

BEMÆRK:

Når der skiftes stilling fra "1" til "3" eller fra "3" til "1", kan det være en lille smule svært at flytte hastighedsvælgeren. Tænd på dette tidspunkt for maskinen og kør den i et sekunds tid i stilling "2" og stop derefter maskinen og flyt hastighedsvælgeren til den ønskede stilling.

FORSIGTIG:

- Sæt altid hastighedsvælgeren helt til den korrekte stilling. Hvis maskinen anvendes med hastighedsvælgeren halvvejs mellem stilling "1", "2" og "3", kan resultatet blive, at maskinen lider skade.
- Brug ikke hastighedsvælgeren, mens maskinen kører. Maskinen kan blive beskadiget.

Valg af funktionsmåde (Fig. 5)

Denne maskine er udstyret med en funktionsmådevælgerarm. For at udføre boring, flyttes funktionsmådevælgerarmen til venstre (⌚-symbolet). For at udføre iskruning, skydes funktionsmådevælgerarmen til højre (⌚-symbolet).

BEMÆRK:


Når der skiftes stilling fra ⌚ til ⌚, kan det være en lille smule svært at flytte funktionsmådevælgerarmen. Tænd på dette tidspunkt for maskinen og kør den i et sekunds tid i stilling ⌚ og stop derefter maskinen og flyt hastighedsvælgeren til den ønskede stilling.

FORSIGTIG:

- Flyt altid funktionsmådevælgerarmen hele vejen til stillingen for den ønskede funktion. Hvis maskinen anvendes med armen placeret halvvejs mellem funktionssymbolerne, kan resultatet blive, at maskinen lide skade.
- Anvend ikke funktionsmådevælgerarmen, mens maskinen er igang. Dette kan bevirke, at maskinen lider skade.

Justering af drejningsmomentet (Fig. 6)

Drejningsmomentet kan justeres i 16 trin ved at dreje justeringsringen, således at dens inddelinger er rettet ind efter pilen på maskines krop.

Flyt først funktionsmådevælgerarmen til stillingen med -symbolet.

Fastgøringsmomentet er mindst muligt, når tallet 1 står ud for pilen og størst muligt, når tallet 16 står ud for pilen. Koblingen vil glide ved forskellige momentniveauer i stillingen 1 til 16. Inden du begynder at anvende maskinen, skal du skrue en prøveskrue i materialet eller i et stykke tilsvarende materiale for at bestemme, hvilket tilspændingsniveau der kræves til et bestemt arbejde.

BEMÆRK:

- Indstillingsringen låses ikke, hvis pilen kun står halvvejs mellem gradangivelserne.

SAMLING

FORSIGTIG:

- Sørg altid for at maskinen er slukket, og at akkuen er taget ud før der gennemføres noget arbejde på selve maskinen.

Montering af sidegrebet (hjelpehåndtag) (Fig. 7)

Anvend altid sidegrebet, så der opnås sikkerhed under arbejdet. Monter sidegrebet således, at grebets stålband sidder korrekt på maskinens tromle.

Stram derefter grebet ved at dreje det i retningen med uret til den ønskede stilling. Det kan svinges 360°, så det kan fastgøres i en hvilken som helst stilling.

Montering og afmontering af skruebit eller bor

Drej omløberen i retningen mod uret for at åbne borepatronens kæber. Sæt bitset så langt ind i borepatronen som muligt. Drej omløberen i retningen med uret. For at afmontere bitset, drejes omløberen i retningen mod uret. (Fig. 8)


Når skruebitset ikke anvendes, skal det opbevares i bitholderen. Bits, som er 45 mm lange, kan opbevares her. (Fig. 9)

Justerbar dybdestang (ekstraudstyr) (Fig. 10)

Den justerbare dybdestang anvendes ved boring af huller af samme dybde. Løs spændeskruen, sæt i den ønskede stilling, og stram derefter spændeskruen.

BRUG

Brug som skruetrækker (Fig. 11)

Flyt først funktionsmådevælgerarmen til stillingen med -symbolet og vælg fastgøringsmomentet.

Anbring spidsen af skruebittet i skruehovedet og læg et let tryk på maskinen. Start maskinen og øg gradvist hastigheden. Slip afbryderen, så snart momentkoblingen høres.

BEMÆRK:

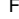
- Skruebittet skal være sat helt ind i skruehovedet, og maskinen skal holdes lige på skruen. Ellers kan skruen/bittet blive beskadiget.
- Når der skrues træskrue, bør der laves forboringer for at gøre det nemmere at skrue og for at undgå revnedannelser i emnet. Se nedenstående tabel.

Nominal diameter på træskrue (mm)	Anbefalet diameter på forboring (mm)
3,1	2,0–2,2
3,5	2,2–2,5
3,8	2,5–2,8
4,5	2,9–3,2
4,8	3,1–3,4
5,1	3,3–3,6
5,5	3,7–3,9
5,8	4,0–4,2
6,1	4,2–4,4

BEMÆRK:

- Hvis maskinen anvendes lige indtil akkuen er opbrugt, bør maskinen hvile i 15 minutter før der fortsættes med en ny akku.

Boring

Flyt først funktionsmådevælgerarmen til stillingen med -symbolet.

Boring i træ

Ved boring i træ opnås det bedste resultat med træbor udstyret med en centerspids. Centerspidsen gør boringen lettere, idet den trækker boret ind i emnet.

Boring i metal

For at forhindre at værktøjet skrider, når der startes på et hul, bør der laves en fordybning med en kørne og en hammer på det sted, hvor hullet skal bores. Placer spidsen af værktøjet i fordybningen og start boringen. Anvend skæresmørelse, når der bores i metal. Undtaget er jern og messing, som skal bores tørre.

FORSIGTIG:

- Overdrevent tryk på maskinen vil ikke gøre boringen hurtigere. I virkeligheden vil det kun medvirke til at beskadige spidsen på værktøjet, formindske maskinens præstation og forkorte maskinens levetid.
- Maskinen/værktøjet udsættes for en voldsom vridningspåvirkning, når der brydes igennem emnet. Hold godt fast på maskinen og udvis forsigtighed, når værktøjet begynder at bryde gennem emnet.
- Et værktøj, der har sat sig fast, kan nemt fjernes ved at sætte omdrejningsvælgeren til modsat omdrejningsretning for at bakke helt ud. Værktøjet kan dog bakke ukontrollabelt ud, hvis der ikke holdes godt fast på maskinen.
- Mindre emner skal fastgøres forsvarligt i en skruestik eller lignende.
- Hvis maskinen anvendes, lige indtil akkuen er opbrugt, bør maskinen hvile i 15 minutter, før der fortsættes med en ny akku.

VEDLIGEHODELSE

FORSIGTIG:

- Sørg altid for at maskinen er slukket, og at akkuen er taget ud før der gennemføres noget arbejde på selve maskinen.

Udskiftning af kulbørsterne (Fig. 12 og 13)

Tag kulbørsterne ud og efterse dem periodisk. Kullene skal udskiftes, når de er slidt ned til slidgrænsen. Hold kulbørsterne rene, så de altid passer ind i hullerne. Begge kulbørster bør udskiftes parvis og samtidigt. Anvend kun identiske kulbørster.

Benyt en skruetrækker til at fjerne kuldækslerne. Tag de slidte kulbørster ud, sæt de nye i, og fastgør kuldækslerne.

For at opretholde produktets SIKKERHED og PÅLIDELIGHED bør reparationer, anden vedligeholdelse eller justeringer altid udføres af et Makita Service Center, idet der altid bør anvendes Makita reservedele.

TILBEHØR

FORSIGTIG:

- Det følgende tilbehør og ekstraudstyr er anbefalet til brug med Deres Makita maskine, der er beskrevet i denne brugsanvisning. Anvendelse af andet tilbehør eller ekstraudstyr kan udgøre en risiko for personskade. Anvend kun tilbehør og ekstraudstyr til det beskrevne formål.

Hvis De har behov for yderligere detaljer om dette tilbehør, bedes De kontakte Deres lokale Makita Service Center.

- Borebits
- Scruebits
- Gummibagskive
- Polérpude (skumgummi)
- Uldhætte
- Forskellige typer af originale Makita-akkuer og opladere

Förklaring av allmän översikt

1 Knapp	7 Pil	14 Bit
2 Kraftkassett	8 Inställningsring	15 Bit hållare
3 Strömställare	9 Gradering	16 Borrdjupsanslag
4 Omkopplare för rotationsriktning	10 Stålbånd	17 Låsskruv
5 Varvtalsomkopplare	11 Handtagsfäste	18 Slitgränsmarkering
6 Driftlägesomkopplare	12 Sidohandtag	19 Kolborsthållarna
	13 Hylsa	20 Skruvmejsel

TEKNISKA DATA

Modell	6319D	6339D	6349D
Kapacitet			
Stål	13 mm	13 mm	13 mm
Trä	45 mm	50 mm	65 mm
Tråskruv	6 mm x 75 mm	6 mm x 75 mm	10 mm x 89 mm
Maskinskruv	6 mm	6 mm	6 mm
Obelastat varvtal (min ⁻¹)			
Högt (3)	0 – 1 600	0 – 1 700	0 – 1 700
Medel (2)	0 – 550	0 – 600	0 – 600
Lågt (1)	0 – 300	0 – 300	0 – 300
Total längd	246 mm	246 mm	246 mm
Nettovikt	2,2 kg	2,3 kg	2,6 kg
Märkspänning	12 V likström	14,4 V likström	18 V likström

- På grund av det kontinuerliga programmet för forskning och utveckling, kan här angivna tekniska data ändras utan föregående meddelande.
- Observera! Tekniska data kan variera i olika länder.

Verktygets ändamål

Maskinen är avsedd för att borra och skruva fast skruvar i trä-, metall- och plastmaterial.

Säkerhetstips

För din egen säkerhets skull, bör du läsa igenom de medföljande säkerhetsföreskrifterna.

YTTERLIGARE SÄKERHETSANVISNINGAR FÖR MASKINEN

GLÖM INTE att strikt följa säkerhetsanvisningarna för bormaskinen ÄVEN efter det att du blivit van att använda den. Felaktig användning av denna maskin kan leda till allvarliga personskador.

1. Använd de extrahandtag som medföljer maskinen. Okontrollerad användning kan orsaka personskador.
2. Håll maskinerna i de isolerade handtagen när du utför arbete där du kan råka säga i en dold elkabel eller i maskinens egna sladd. De synliga metalldelarna på maskinen blir strömförande, om maskinen kommer i beröring med en strömförande ledning, och operatören får en elektrisk stöt.
3. Se alltid till att du står stadigt. Se till att det inte står någon under dig, när du arbetar på hög höjd.
4. Håll maskinen stadigt.
5. Håll händerna borta från roterande delar.
6. Lämna inte maskinen när det går. Använd endast maskinen när det hålls i händerna.
7. Vidrör inte borret eller arbetsstycket direkt efter avslutat arbete. De kan vara extremt heta och orsaka brännskador.

8. Vissa material innehåller kemikalier som kan vara giftiga. Se till att du inte andas in damm eller får det på huden. Följ anvisningarna i leverantörens materialsäkerhetsblad.

SPARA DESSA ANVISNINGAR.

VIKTIGA SÄKERHETSANVISNINGAR FÖR LADDARE OCH BATTERIKASSETT

1. Innan du börjar använda batteriladdaren bör du läsa alla anvisningar och varningstexter på (1) batteriladdaren, (2) batteriet och (3) den produkt till vilken batteriet används.
2. Tag inte isär batterikassetten.
3. Om drifttiden är kraftigt reducerad bör du avbryta driften omedelbart. Det finns i annat fall risk för överhettning, brännskador och även att batteriet exploderar.
4. Om det skulle komma in elektrolyt i dina ögon bör du tvätta ur ögonen med vatten, och sedan omedelbart söka medicinsk vård. Det finns risk för att du förlorar synen.
5. Se alltid till att batteripolerna är täckta med batterilyddet när batterikassetten inte används.
6. Kortslut inte batterikassetten:
 - (1) Rör inte vid polerna med något ledande material.
 - (2) Undvik att förvara batterikassetter i samma förvaringsutrymme som andra metallföremål, till exempel spikar, mynt, osv.
 - (3) Utsätt inte batterikassetten för vatten och regn.

Om batterikassetten kortsluts kan det leda till ett kraftigt elektriskt flöde, överhettning, brännskador och även att batterikassetten exploderar eller spricker.
7. Förvara inte maskin och batterikassetter på platser där temperaturen kan stiga till eller överstiga 50°C.

8. Batterikassetten får inte eldas upp, även om den skulle vara svårt skadad eller helt utsliten. Den kan explodera om den slängs i en eld.
9. Var försiktig så att du inte tappar batterikassetten eller att den slår emot något.

SPARA DESSA ANVISNINGAR.

Tips för att upprätthålla batteriets maximala livslängd

1. Ladda upp batterikassetten innan den är fullständigt urladdad. Stanna alltid maskinen och ladda batterikassetten om du märker att maskinen har dålig kraft.
2. Ladda aldrig upp en fulladdad batterikasset. Överladdning förkortar batteriets bruksliv.
3. Ladda batterikassetten med en omgivande temperatur på 10°C – 40°C. Låt upphettade batterikassetter svalna innan de laddas.
4. Ladda upp nickel-metallhydrid-batterier som inte har använts på mer än sex månader.

FUNKTIONSBESKRIVNING

FÖRSIKTIGHET!

- Se alltid till maskinen är avstängd och batterikassetten urtagen innan du utför några justeringar eller kontrollerar några funktioner på maskinen.

Montering och demontering av kraftkassetten (Fig. 1)

- Stäng alltid av maskinen innan kraftkassetten sätts i eller tas ur.
- Ta bort kraftkassetten genom att trycka in knapparna på kassetten båda sidor och samtidigt dra av den från maskinen.
- Sätt på kraftkassetten genom att passa in tungan på kraftkassetten mot skåran i maskinhuset och sedan skjuta den i läge. Skjut alltid på kraftkassetten hela vägen tills den låses i läge med ett litet klickljud. Om kraftkassetten inte låses i läge kan den av misstag falla ur sitt läge, och därmed orsaka skador på dig själv eller någon person i din närhet.
- Tvinga inte kraftkassetten i läge vid monteringen. Om kassetten inte lätt glider i läge, är den inte monterad på rätt sätt.

Strömställarens funktion (Fig. 2)

FÖRSIKTIGHET!

- Kontrollera alltid att strömställaren fungerar normalt och återgår till det avstängda läget ("OFF"-läget) när den släpps innan kraftkassetten sätts i maskinen.

Tryck helt enkelt på strömställaren för att starta maskinen. Varvtalet ökar med ett ökat tryck på strömställaren. Släpp strömställaren för att stanna maskinen.

Rotationsomkopplarens funktion (Fig. 3)

Maskinen är utrustad med en rotationsomkopplare för att ändra rotationsriktningen. Tryck in rotationsomkopplaren från sida A för medurs rotation, och från sida B för moturs rotation.

När rotationsomkopplaren står i neutralt läge kan strömställaren inte tryckas in.

FÖRSIKTIGHET!

- Kontrollera alltid rotationsriktningen före användning.
- Använd rotationsomkopplaren först efter att maskinen har stannat helt. Maskinen kan skadas om rotationsriktningen ändras innan maskinen har stannat.
- Ställ alltid rotationsomkopplaren i neutralt läge när maskinen inte används.

Ändring av varvtal (Fig. 4)

Denna maskin har en trestegs varvtalsomkopplare. För att ändra varvtal stänger du först av maskinen och skjuter sedan varvtalsomkopplaren till läge "1" för låg hastighet, "2" för medelhastighet eller till läge "3" för hög hastighet. Kontrollera att omkopplaren är rätt inställd innan du börjar använda maskinen. Använd rätt hastighet för det arbete du ska utföra.



OBSERVERA:

Vid ändring från läge "1" till läge "3" eller från "3" till "1" kan det vara lite svårt att skjuta omkopplaren. Sätt i så fall på maskinen under någon sekund, stäng av den och försök sedan på nytt att föra omkopplaren till önskat läge.



FÖRSIKTIGHET!

- Se alltid till att omkopplaren är helt skjuten i önskat läge. Om du använder maskinen när omkopplaren står mellan läge "1" och "2" eller mellan läge "2" och "3" kan maskinen skadas.
- Skjut inte på varvtalsomkopplaren medan maskinen är igång. Maskinen kan skadas.

Att välja driftläge (Fig. 5)

På den här maskinen finns en driftlägesomkopplare. För att borra skjuter du omkopplaren till vänster (till -markeringen). För att skruva skjuter du omkopplaren till höger (till -markeringen).

OBSERVERA:


Vid ändring från läge  till läge  kan det vara lite svårt att skjuta driftlägesomkopplaren. Sätt i så fall på maskinen under någon sekund, stäng av den och försök sedan på nytt att föra omkopplaren till önskat läge.

FÖRSIKTIGHET!

- Skjut alltid omkopplaren hela vägen till önskat läge. Om du använder maskinen med omkopplaren mellan två markeringar kan maskinen skadas.
- Försök aldrig att ändra driftlägesomkopplaren medan maskinen används. Maskinen kan skadas.

Justering av åtdragningsmoment (Fig. 6)

Åtdragningsmomentet kan ställas in i 16 steg, genom att vrida på inställningsringen så att dess graderingar är inställda mot pilen på maskinhuset.

Skjut först omkopplaren till -markeringen.

Minsta åtdragningsmomentet fås när pilen pekar på 1 och det största när pilen pekar på 16. Borrmaskinen slirar när det inställda åtdragningsmomentet (1-16) har uppnåtts. Innan du utför arbetet bör du testa att skruva in en skruv i ditt arbetsstycke eller en provbit av samma material för att se om åtdragningsmomentet är rätt inställt.

OBSERVERA!

- Inställningsringen låser inte om pilen pekar mellan två markeringar.

HOPSÄTTNING

FÖRSIKTIGHET!

- Tillse alltid att maskinen är fränkopplad och att kraftkassetten tagits ur maskinen innan Du utför arbete på denna.

Montera sidohandtag (extrahandtag) (Fig. 7)

Av säkerhetsskäl bör du alltid använda sidohandtaget. Montera sidohandtaget så att handtagsfästets stålband fäster ordentligt i maskinen.

Dra sedan åt en handtaget genom att vrida det medurs till önskat läge. Det kan vridas 360° och låsas i alla möjliga lägen.

Sätta in eller ta ut en skruvbit eller ett borr

Vrid hylsan moturs för att öppna chucken. Sätt in en skruvbit eller ett borr i chucken så långt det går. Vrid hylsan medurs för att dra åt chucken. För att ta bort en skruvbit eller ett borr vrider du hylsan moturs. (Fig. 8)

När du inte använder skruvbiten kan du förvara den i bit-hållaren. 45-millimeters bits kan förvaras här. (Fig. 9)

Justerbart borrdjupsanslag (tillbehör) (Fig. 10)

Det justerbara borrdjupsanslaget används för att borra hål med ett visst djup. Lossa låsskruven, ställ in önskat djup och dra sedan åt låsskruven.

IDRAGNING

Idragning av skruvar (Fig. 11)

Skjut först omkopplaren till -markeringen och ställ sedan in åtdragningsmomentet.

Placera spetsen på skruvmejselverktyget i skruvhuvudet och anlägg tryck mot maskinen. Starta maskinen långsamt och öka sedan hastigheten gradvis. Släpp strömställaren så snart kopplingen bryter in.

OBSERVERA:

- Se till att skruvverktyget sätts in rakt i skruvhuvudet för att inte orsaka skador på skruven och/eller verktyget.
- Förborra ledhål vid iskruvning av träskruv för att underlätta iskruvand och för att förhindra att arbetsstycket spricker. Se tabellen nedan.

Träskruvens nominella diameter (mm)	Rekommenderad storlek på ledhålet (mm)
3,1	2,0–2,2
3,5	2,2–2,5
3,8	2,5–2,8
4,5	2,9–3,2
4,8	3,1–3,4
5,1	3,3–3,6
5,5	3,7–3,9
5,8	4,0–4,2
6,1	4,2–4,4

OBSERVERA:

- Om maskinen har använts kontinuerligt tills kraftkassetten har laddats ur bör maskinen tillåtas vila i 15 minuter innan arbetet fortsätts med en ny kraftkasset.

Borring

Skjut först omkopplaren till -markeringen.

Borring i trä

Vid borring i trä uppnås bäst resultat om ett träborr med ledskruv används. Ledskruven förenklar borringen genom att dra borret in i arbetsstycket.

Borring i metall

Gör en försänkning med hjälp av en körnare och en hammare där hålet ska vara för att förhindra att borret slinter när borringen påbörjas. Placera spetsen på borret i försänkningen och börja borra.

Använd borrolja vid borring metall. Undantagen är järn och mässing som ska borras torra.

FÖRSIKTIGHET!

- Ett överdrivet tryck mot maskinen påskyndar inte borringen. I själva verket leder det överdrivna trycket endast till att borrets spets förstörs, maskinens funktion försämras och dess arbetsliv förkortas.
- Vid hålgombrytningen utsätts maskinen/borret för en oerhörd kraft. Håll i maskinen stadigt och var uppmärksam när borret börjar bryta igenom arbetsstycket.
- Ett fastborrat borr kan lossas helt enkelt genom att sätta rotationsomkopplaren i motsatt rotationsriktning för att backa ut borret. Maskinen kan dock backa ut häftigt om du inte håller i den stadigt.
- Fäst alltid små arbetsstycken i ett skruvstäd eller liknande fasthållande anordning.
- Om maskinen har använts kontinuerligt tills kraftkassetten har laddats ur, bör maskinen tillåtas vila i 15 minuter innan arbetet fortsätts med en ny kraftkasset.

UNDERHÅLL

FÖRSIKTIGHET!

- Tillse alltid att maskinen är fränkopplad och att kraftkassetten tagits ur maskinen innan du påbörjar inspektion eller underhåll.

Utbyte av kolborstarna (Fig. 12 och 13)

Ta ur och kontrollera kolborstarna med jämna mellanrum. Byt ut dem om de har slitits ner till slitgränsmarkeringen. Håll kolborstarna rena, och se till att de lätt kan röra sig i hållarna. Båda kolborstarna ska bytas ut samtidigt. Använd endast identiska kolborstar.

Använd en skruvmejsel för att ta bort locken över kolborsthållarna. Ta ur de utslitna kolborstarna, sätt in nya och sätt sedan tillbaka kolborsthållarnas lock.

För att upprätthålla produktens SÄKERHET och TILLFÖRLITLIGHET bör reparationer och andra typer av underhåll och justeringar alltid utföras av Makitas fabriksverkstäder eller andra serviceverkstäder som är godkända av Makita, där Makita reservdelar alltid används.

TILLBEHÖR

FÖRSIKTIGHET!

- Dessa tillbehör och tillsatser rekommenderas för användning med den Makita-maskin som anges i den här bruksanvisningen. Om andra tillbehör eller tillsatser används finns det risk för personskador. Använd endast tillbehören och tillsatserna för de ändamål de uttryckligen är avsedda för.

Tillfråga din lokala återförsäljare av Makita-produkter om du behöver ytterligare hjälp med eller mer detaljer angående dessa tillbehör.

- Borr
- Skruvbits
- Gummirondellset
- Putsrondell av skumgummi
- Polerhätta
- Olika typer av Makita originalbatterier och -laddare

Forklaring til generell oversikt

1 Knapp	8 Justeringsring	15 Bitsholder
2 Batteri	9 Graderinger	16 Dybdestang
3 Startbryter	10 Stålbånd	17 Klemeskruer
4 Reverseringshendel	11 Håndtakets fot	18 Slitasjegrense
5 Hastighetshendel	12 Støttehåndtak	19 Børsteholderhette
6 Funksjonsvelger	13 Mansjett	20 Skrutrekker
7 Pål	14 Bits	

TEKNISKE DATA

Modell	6319D	6339D	6349D
Kapasitet			
Stål	13 mm	13 mm	13 mm
Tre	45 mm	50 mm	65 mm
Treskruer	6 mm x 75 mm	6 mm x 75 mm	10 mm x 89 mm
Maskinskruer	6 mm	6 mm	6 mm
Tomgangshastighet (min ⁻¹)			
Høy (3)	0 – 1 600	0 – 1 700	0 – 1 700
Middels (2)	0 – 550	0 – 600	0 – 600
Lav (1)	0 – 300	0 – 300	0 – 300
Totallengde	246 mm	246 mm	246 mm
Nettovekt	2,2 kg	2,3 kg	2,6 kg
Klassifisert spenning	DC 12 V	DC 14,4 V	DC 18 V

- Grunnet det kontinuerlige forsknings- og utviklingsprogrammet, forbeholder vi oss retten til å foreta endringer i tekniske data uten forvarsel.
- Merknad: Tekniske data kan variere fra land til land.

Bruksområde

Verktøyet er beregnet til boring og skruing i tre, metall og plast.

Sikkerhetstips

For din egen sikkerhets skyld ber vi deg lese de medfølgende sikkerhetsreglene.

YTTERLIGERE SIKKERHETSREGLER FOR ELEKTROVERKTØY

IKKE LA hensynet til hva som er “behagelig” eller det faktum at du kjenner produktet godt (etter mange gangers bruk) gjøre deg mindre oppmerksom på sikkerhetsreglene for bruken av boret. Hvis du bruker dette elektroverktøyet på en farlig eller ukorrekt måte, kan du få alvorlige helseskader.

1. Bruk hjelpehåndtak som fulgte med maskinen. Hvis maskinen kommer ut av kontroll, kan det resultere i helseskader.
2. Hold maskinen i de isolerte håndtakene når du utfører en operasjon der bladet kan komme i kontakt med skjulte ledninger eller ledningen til maskinen selv. Kontakt med en strømførende ledning vil gjøre at også metallledere på verktøyet blir strømførende og utsette operatøren for elektrisk støt.
3. Sørg alltid for godt fotfeste. Påse at ingen befinner seg under når arbeidet foregår i høyden.
4. Hold maskinen i et fast grep.
5. Hold hendene unna bevegelige deler.
6. Forlat ikke maskinen mens det går. Verktøyet må bare betjenes når det holdes for hånd.

7. Rør ikke hverken bits eller materiale umiddelbart etter bruk; de kan være meget varme og forårsake forbrenninger.
8. Enkelte materialer inneholder kjemikalier som kan være giftige. Treff tiltak for å hindre innånding av støv og hudkontakt. Følg leverandørens sikkerhetsanvisninger.

TA VARE PÅ DISSE ANVISNINGENE.

VIKTIGE SIKKERHETSANVISNINGER FOR LADER OG BATTERI

1. Før du begynner å bruke batteriet, må du lese alle anvisninger og forsiktighetsregler på (1) batteriladeren, (2) batteriet og (3) det produktet batteriet skal brukes i.
 2. Ikke ta fra hverandre batteriet.
 3. Hvis driftstiden er blitt vesentlig kortere, må du omgående slutte å bruke verktøyet. Hvis ikke kan resultatet bli overoppheating, mulige forbrenninger eller til og med en eksplosjon.
 4. Hvis du får elektrolytt i øynene, må du skylle dem med store mengder rennende vann og oppsøke lege med én gang. Denne typen uhell kan føre til varig blindhet.
 5. Når batteriet ikke er i bruk, må batteripolene alltid være tildekket av batteridekselet.
 6. Ikke kortslett batteriet.
 - (1) Ikke berør batteripolene med ledende materialer.
 - (2) Ikke lagre batteriet i samme beholder som andre metallgjenstander, som for eksempel spiker, mynter osv.
 - (3) Ikke la batteriet komme i kontakt med vann eller regn.
- En kortslutning av batteriet kan føre til et kraftig strømstøt, overoppvarming, mulige forbrenninger og til og med til at batteriet går i stykker.

- Ikke lagre verktøyet og batteriet på steder hvor temperaturen kan komme opp i eller overskride 50°C.
- Ikke sett fyr på batteriet, ikke engang om det er sterkt skadet eller helt utslitt. Batteriet kan eksplodere hvis det begynner å brenne.
- Vær forsiktig så du ikke mister batteriet eller utsetter det for slag.

TA VARE PÅ DISSE ANVISNINGENE.

Tips for å opprettholde maksimal batterilevetid

- Lad batteriet igjen før det er fullstendig utladet. Hold alltid opp å bruke verktøyet når du merker at det er lite strøm på batteriet. Sett batteriet til lading.
- Et helt oppladet batteri må aldri settes til ny lading. Overopplading forkorter batteriets levetid.
- Lad opp batteriet ved romtemperatur, dvs. 10°C – 40°C. Hvis batteriet er varmt, må det få avkjøle seg før lading.
- Lad nikkelmetallhybrid-batteriet når du ikke har brukt det på mer enn seks måneder.

FUNKSJONS BESKRIVELSE

NB!

- Forviss deg alltid om at maskinen er slått av og at batteriet er fjernet før du justerer maskinen eller kontrollerer dets funksjoner.

Montering og demontering av batteriet (Fig. 1)

- Maskinen må alltid slås av før batteriet settes i eller tas ut.
- Batteriet fjernes fra maskinen ved å trekke det ut samtidig som knappene på begge sider trykkes inn.
- Batteriet settes i ved å passe tungen på batteriet inn etter sporet i kammeret og så skyve det på plass. Batteriet må føres helt inn til det låses på plass med et lite klikk. Hvis dette ikke gjøres kan det falle ut mens maskinen er i bruk og påføre brukeren eller eventuelle tilstedeværende legemsskader.
- Batteriet må ikke settes i med makt. Hvis det ikke med letthet glir på plass er det fordi det settes i på feil måte.

Bryter (Fig. 2)

NB!

- Før batteriet settes inn i maskinen, må det sjekkes at bryteren virker som den skal og går tilbake til "OFF" når den slippes.

Maskinen startes ved å trykke på startbryteren. Hastigheten øker med trykket på bryteren. Slipp bryteren for å stoppe.

Reverseringshendel (Fig. 3)

Denne maskinen er utstyrt med en reverseringshendel for å endre rotasjonsretningen. Trykk på reverseringshendelen fra A-siden for medurs rotasjon, eller fra B-siden for moturs rotasjon.

Når hendelen er i friposisjon, lar startbryteren seg ikke aktivere.

NB!

- Sjekk alltid rotasjonsretningen før maskinen startes.
- Reverseringshendelen må bare brukes etter at maskinen har stoppet helt. Hvis rotasjonsretningen endres før motoren har stoppet helt, kan det føre til skader på maskinen.
- Når maskinen ikke er i bruk, må reverseringshendelen stilles tilbake til friposisjon.

Hastighetsendring (Fig. 4)

Denne maskinen har en hastighetsvelger med tre hastigheter. For å endre hastigheten må du først slå av maskinen og så skyve hastighetsvelgeren til posisjon "1" for lav hastighet, posisjon "2" for middels hastighet, eller posisjon "3" for høy hastighet. Forviss deg om at hastighetsvelgeren er stilt inn på riktig posisjon for du begynner å bruke maskinen. Bruk riktig hastighet for den aktuelle jobben.

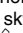

MERK:

Når du endrer velgerens posisjon fra "1" til "3" eller fra "3" til "1", kan det være litt vanskelig å skyve hastighetsvelgeren. Da må du slå på maskinen og la den gå et sekund i posisjon "2", og deretter stoppe maskinen og skyve velgeren til ønsket posisjon.

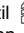
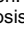

NB!

- Hastighetsvelgeren må alltid settes i helt riktig stilling. Hvis du bruker maskinen med hastighetsvelgeren innstilt på et punkt midt i mellom posisjon "1" og "2" eller "2" og "3", kan maskinen bli ødelagt.
- Hastighetshendelen må ikke betjenes mens maskinen går. Det kan ødelegge maskinen.

Velge funksjonsmodus (Fig. 5)

Denne maskinen har en funksjonsvelger. Når du skal bore, må du skyve funksjonsvelgeren mot venstre, (til den peker på -symbolet). Når du skal skru, må du skyve funksjonsvelgeren mot høyre, (til den peker på -symbolet).

MERK:

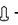
Når du endrer velgerens posisjon fra  til , kan det være litt vanskelig å skyve funksjonsvelgeren. Da må du slå på maskinen og la den gå et sekund i posisjon , og deretter stoppe maskinen og skyve velgeren til ønsket posisjon.

FORSIKTIG:

- Funksjonsvelgeren må alltid skyves hele veien til den ønskede funksjonsstillingen. Hvis du bruker maskinen med funksjonsvelgeren halvveis mellom to av funksjonssymbolene, kan maskinen bli ødelagt.
- Ikke bruk funksjonsvelgeren mens verktøyet er i bruk. Verktøyet kan bli ødelagt.

Justere tiltrekningsmomentet (Fig. 6)

Tiltrekningsmomentet kan justeres i 16 trinn ved å dreie justeringsringen slik at graderingene samstemmer med pilen på maskinkroppen.

Skyv først funksjonsvelgeren slik at den peker på -symbolet.

Dreiemomentet er minimalt når tallet 1 er på linje med pilen, og maksimalt når tallet 16 er på linje med pilen. Clutchen vil slure på ulike dreiemomentnivåer når den er stilt inn på de ulike tallene fra 1 til 16. Før den faktiske arbeidsoperasjonen skal utføres, bør du skru inn en prøveskrue i materialet ditt, eller i et material av samme type, for å finne ut hvilket dreiemoment som kreves for en bestemt anvendelse.

MERKNAD:

- Justeringsringen låser seg ikke når pilen plasseres bare halvveis mellom inndelingsmerkene.

SAMMENSETTING

NB!

- Før det utføres arbeidet på maskinen må du alltid forvise seg om at maskinen er slått av og akkumulatoren er tatt ut.

Montere støttehåndtak (hjelpeshåndtak) (Fig. 7)

Bruk alltid støttehåndtaket for å bruke maskinen på sikker måte. Monter støttehåndtaket slik at stålbåndet på håndtaket passer på maskinsylindringen.

Stram så håndtaket ved å vri det med klokken i den ønskede stillingen. Det kan dreies 360° så det kan festes i en hvilken som helst stilling.

Installere eller fjerne drillbits eller bor

Skrue hylsen mot klokken for å åpne kjevene på kjoksen. Sett bitset så langt inn i kjoksen som det vil gå. Vri hylsen med klokken for å stramme kjoksen. For å fjerne bitset må du vri hylsen mot klokken. (Fig. 8)

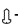
Når du ikke bruker drillbitset må du oppbevare det i bitsholderne. Her kan det oppbevares bits på opptil 45 mm lengde. (Fig. 9)

Justerbar dybdestang (tilbehør) (Fig. 10)

Den justerbare dybdestangen brukes til å bore huller med samme dybde. Løsne klemskruen, still inn stangen i ønsket posisjon, og stram klemskruen igjen.

IDRIVING

Idriving av skruer (Fig. 11)

Skyv først funksjonsvelgeren slik at den peker på -symbolet, og velg dreiemoment.

Plasser bitsspissen i skruehodet og øv trykk på maskinen. Start maskinen langsomt og øk hastigheten gradvis. Slipp bryteren straks clutchen kopler seg inn.

MERKNAD:


- Skrutrekkerbitset må settes i rett på skruehodet, ellers kan skrue og/eller bits ødelegges.
- Ved idriving av treskruer bør det først bores et ledehull for å gjøre idrivingen lettere og for å hindre oppflising av materialet. Se tabellen under.

Nominell treskruediameter (mm)	Anbefalt ledehullstr (mm)
3,1	2,0 – 2,2
3,5	2,2 – 2,5
3,8	2,5 – 2,8
4,5	2,9 – 3,2
4,8	3,1 – 3,4
5,1	3,3 – 3,6
5,5	3,7 – 3,9
5,8	4,0 – 4,2
6,1	4,2 – 4,4

MERKNAD:

- Hvis maskinen går kontinuerlig til batteriet går tomt, må maskinen få hvile i 15 minutter før det fortsettes med et oppladet batteri.

Boring

Skyv først funksjonsvelgeren slik at den peker på -symbolet.

Boring i tre

Ved boring i tre, vil beste resultat oppnås med trebor og selvborende skruer. Den selvborende skruen gjør boringen lettere ved at bitset dras inn i arbeidsemnet.

Boring i metall

For å hindre at bitset glipper i starten av hullboringen, lages det en liten fordykning med kjørner og hammer der hullet skal være. Sett bitsspissen i fordypningen og start boringen.

Bruk maskinolie ved boring i metall. Unntakene er jern og messing som må tørrbores.

NB!

- For stort trykk på maskinen vil ikke resultere i at boringen går raskere. Dette vil medføre skadet bits, redusert borekapasitet og forkorte boremaskinens levetid.
- Det utøves voldsomme krefter fra maskinen/bitset idet gjennomboringen skjer. Hold godt fast maskinen og utvis stor forsiktighet når bitset begynner å gå igjennom materialet.
- Et bits som har satt seg fast lar seg lett fjerne ved å sette maskinen i revers så bitset skrur seg ut. Men maskinen kan plutselig slenge tilbake hvis den ikke holdes godt fast.
- Små arbeidsemner må alltid settes fast i en tvinge eller lignende.
- Hvis maskinen går kontinuerlig til batteriet går tomt, må maskinen få hvile i 15 minutter før det fortsettes med et oppladet batteri.

SERVICE

NB!

- Før det utføres arbeider på maskinen må du alltid for-
visse seg om at maskinen er slått av og akkumulatoren
er tatt ut.

Utskifting av kullbørster (Fig. 12 og 13)

Ta ut og kontroller kullbørstene regelmessig. Skift ut kull-
børstene når de er slitt ned til slitasjegrensen. Hold kull-
børstene rene og klare til å bli satt inn i holderne. Begge
kullbørstene må skiftes ut samtidig. Bruk kun helt like
kullbørster.

Bruk en skrutrekker til å fjerne børsteholderhettene. Ta ut
de slitte kullbørstene, sett inn nye børster og fest børste-
holderhettene.

For å sikre produkt-SIKKERHET og -PÅLITELIGHET, må
reparasjoner og øvrig vedlikeholdsarbeid eller justeringer
kun utføres av serviceverksted eller fabrikkverksted som
er godkjent av Makita, og det må alltid benyttes Makita
reservedeler.

TILBEHØR

NB!

- Dette tilbehøret eller utstyret anbefales til å brukes med
ditt Makita-verktøy som er spesifisert i denne bruksan-
visningen. Bruk av annet tilbehør eller utstyr kan med-
føre risiko for personskader. Tilbehør og utstyr må bare
bruk til de formål de er beregnet til.

Kontakt nærmeste Makita-serviceverksted dersom du
trenger videre opplysninger angående tilbehøret.

- Drillbits
- Skruebitso
- Gummiputemontasje
- Polerpute av skumgummi
- Ullhette
- Ulike typer originale batterier og ladere fra Makita

Yleiselustus

1	Painike	8	Säätörengas	15	Teränpidin
2	Akku	9	Asteikko	16	Syvyystanko
3	Liipaisinkytkin	10	Teräspanta	17	Kiristysruuvi
4	Suunnanvaihtokytkin	11	Kädensijan tyvi	18	Rajamerkki
5	Nopeudenvaihtokytkin	12	Sivukädensija	19	Harjanpitimen kansi
6	Toimintomuodon vaihtokytkin	13	Kaulus	20	Ruuvitaltta
7	Nuoli	14	Terä		

TEKNISET TIEDOT

Malli	6319D	6339D	6349D
Suorituskyky			
Teräs	13 mm	13 mm	13 mm
Puu	45 mm	50 mm	65 mm
Puuruuvi	6 mm x 75 mm	6 mm x 75 mm	10 mm x 89 mm
Koneruuvi	6 mm	6 mm	6 mm
Tyhjäkäyntinopeus (min ⁻¹)			
Nopea (3)	0 – 1 600	0 – 1 700	0 – 1 700
Keski (2)	0 – 550	0 – 600	0 – 600
Hidas (1)	0 – 300	0 – 300	0 – 300
Kokonaispituus	246 mm	246 mm	246 mm
Nettopaino	2,2 kg	2,3 kg	2,6 kg
Nimellisjännite	12 V tasavirta	14,4 V tasavirta	18 V tasavirta

- Jatkuvan tutkimus- ja kehitysohjelman vuoksi pidämme oikeuden muuttaa tässä mainittuja teknisiä ominaisuuksia ilman ennakkoilmoitusta.
- Huomautus: Tekniset ominaisuudet saattavat vaihdella eri maissa.

Käyttötarkoitus

Tämä kone on tarkoitettu poraamiseen ja ruuvaamiseen puuhun, metalliin ja muoviin.

Turvaohjeita

Oman turvallisuutesi vuoksi lue mukana seuraavat turvaohjeet.

LISÄÄ TURVAOHJEITA VOIMATYÖKALULLE

ÄLÄ anna mukavuuden tai (toistuvan käytön tuoman) totumuksen tuotteeseen korvata poran turvallisuusohjeiden ehdotonta noudattamista. Jos käytät tätä voimatyökälua turvattomasti tai väärin, seurauksena voi olla vakava loukkaantuminen.

1. Käytä koneen mukana toimitettuja lisäkahvoja. Hallinnan menetys voi johtaa loukkaantumiseen.
2. Pitele sähkötyökoneita sen eristetyistä tartuntapinnoista tehdessäsi työtä, jossa leikkaava työkalu voi joutua kosketuksiin piilossa olevan johdon tai oman virtajohtonsa kanssa. Osuminen jännitteeseen johtoon saa näkyvissä olevat metalliosat jännitteisiksi ja aiheuttaa käyttäjälle sähköiskun.
3. Varmista aina, että seisot tukevalla jalustalla. Tarkista, ettei ketään ole allasi käyttäessäsi laitetta korkeissa paikoissa.
4. Pitele konetta tiukasti.
5. Pidä kädet loitolla pyörivistä osista.
6. Älä laske käyvää laitetta käsistesi. Käytä laitetta vain sen ollessa käsissäsi.
7. Älä kosketa poranterää äläkä työkalupeltä välittömästi työskentelyn jälkeen. Ne saattavat olla erittäin kuumia ja voivat polttaa ihoasi.

8. Jotkin materiaalit sisältävät myrkyllisiä kemikaaleja. Varo hengittämästä pölyä ja vältä ihokontaktia. Noudata materiaalin toimittajan turvaohjeita.

SÄILYTÄ NÄMÄ OHJEET.

TÄRKEITÄ TURVAOHJEITA AKULLE JA AKKULATAAJALLE

1. Lue kaikki (1) akkulataajan, (2) akun ja (3) akkua käyttävän laitteen ohjeet ja varoitusmerkinnät ennen akkulataajan käyttöä.
2. Älä pura akkua osiinsa.
3. Jos käyttöaika lyhenee huomattavasti, lopeta työskentely välittömästi. Tämä voi aiheuttaa ylikuumenemisen, mahdollisia palovammoja ja jopa räjähdyskysen.
4. Jos akkuhappoa pääsee silmiin, huuhtelee ne puhtaalla vedellä ja hakeudu heti lääkäriin. Tämä voi aiheuttaa näön menetyksen.
5. Peitä akkuliittimet aina akkukansilla, kun akkua ei käytetä.
6. Älä kytke akkua oikosulkuun:
 - (1) Älä kosketa liittimiä millään sähköä johtavalla esineellä.
 - (2) Älä säilytä akkua yhdessä metalliesineiden kuten naulojen, kolikoiden tms. kanssa.
 - (3) Suojaa akku vedeltä ja sateelta.
7. Älä säilytä konetta ja akkua paikoissa, joiden lämpötila voi nousta tai kohota yli 50°C.
8. Älä hävitä akkua polttamalla, vaikka se olisi pahasti vioittunut tai kulunut loppuun. Akku voi räjähtää tulessa.
9. Varo pudottamasta ja kolhimasta akkua.

SÄILYTÄ NÄMÄ OHJEET.

Vihjeitä akun käyttöiän maksimoimiseksi

1. Lataa akku ennen kuin se on kokonaan purkautunut.
Jos huomaat käyttövoiman heikentyneen, lopeta aina koneen käyttäminen ja lataa akku.
2. Älä koskaan lataa täyteen ladattua akkua. Liiallinen lataaminen lyhentää akun käyttöikää.
3. Lataa akku huoneenlämmössä 10°C – 40°C. Anna kuumen akku jäähtyä ennen sen lataamista.
4. Lataa nikkelimetallihydridiakku, jos sitä ei käytetä yli puoleen vuoteen.

TOIMINTOKUVAUS

VARO:

- Varmista aine ennen koneelle tehtäviä säätöjä ja tarkistuksia, että kone on sammutettu ja akku irrotettu.

Akun kiinnittäminen ja irrottaminen (Kuva 1)

- Sammuta kone aina ennen akun kiinnittämistä ja irrottamista.
- Akku irrotetaan vetämällä se koneesta samalla kun painetaan akku molemmilla sivuilla olevia painikkeita.
- Akku kiinnitetään asettamalla akku kieleke kotelossa olevaan uraan ja sujauttamalla se paikalleen. Työnnä akku aina perille saakka, kunnes se napsahtaa paikalleen. Jos et toimi näin, akku saattaa vahingossa irrota koneesta aiheuttaen itsesi tai sivullisen loukkaantumisen.
- Älä työnnä akkua väkisin paikalleen. Jos akku ei liu'ut helposti paikalleen, ei kiinnitystapa ole oikea.

Kytkimen käyttäminen (Kuva 2)

VARO:

- Ennen kuin kiinnität akun koneeseen, tarkista aina, että liipaisinkytkin toimii moitteettomasti ja että se palautuu vapautettaessa "OFF" -asentoon.

Kone käynnistetään yksinkertaisesti painamalla liipaisinta. Koneen käyntinopeus kasvaa puristettaessa liipaisinta voimakkaammin. Kone pysähtyy, kun liipaisin vapautetaan.

Suunnanvaihtokytkimen käyttäminen (Kuva 3)

Tässä koneessa on suunnanvaihtokytkin, jonka avulla voidaan vaihtaa pyörimissuuntaa. Paina suunnanvaihtokytkimen A-puolelta, kun haluat terän pyörivän myötäpäivään ja B-puolelta kun haluat terän pyörivän vastapäivään.

Liipaisinkytkintä ei voi painaa, kun suunnanvaihtokytkin on keskiasennossa.

VARO:

- Tarkista aina terän pyörimissuunta ennen käyttöä.
- Käytä suunnanvaihtokytkintä ainoastaan koneen ollessa täysin pysähtynyt. Pyörimissuunnan vaihtaminen ennen koneen pysähtymistä saattaa vahingoittaa konetta.
- Aseta suunnanvaihtokytkin keskiasentoon, kun konetta ei käytetä.

Käyntinopeuden muuttaminen (Kuva 4)

Tässä koneessa on kolmivaihteinen nopeudenvaihtokytkin. Kun haluat vaihtaa nopeutta, sammuta ensin kone ja siirrä sitten nopeudenvaihtokytkin asentoon "1" hitaalle käynnille, asentoon "2" keskinopealle käynnille ja asentoon "3" nopealle käynnille. Varmista, että nopeudenvaihtokytkin on asetettu oikeaan asentoon ennen työskentelyä. Käytä työlle sopivaa nopeutta.

toikytkin on asetettu oikeaan asentoon ennen työskentelyä. Käytä työlle sopivaa nopeutta.

HUOMAA:

Kun vaihdat asennosta "1" asentoon "3" tai asennosta "3" asentoon "1", nopeudenvaihtokytkimen siirtäminen voi olla vaikeaa. Kytke tällöin kone käyntiin ja käytä konetta sekunnin ajan asennolla "2". Sammuta sitten kone ja siirrä kytkin haluamaasi asentoon.

VARO:

- Aseta nopeudenvaihtokytkin aina kokonaan oikeaan asentoon. Jos konetta käytetään nopeudenvaihtokytkimen ollessa asentojen "1" ja "2" tai asentojen "2" ja "3" välillä, kone voi vioittua.
- Älä käytä nopeudenvaihtokytkintä koneen käydessä. Kone saattaa vahingoittua.

Toimintomuodon valitseminen (Kuva 5)

Tässä koneessa on toimintomuodon vaihtokytkin. Kun haluat porata, siirrä toimintomuodon vaihtokytkin vasemmalle (↵-merkki).
Kun haluat ruuvata, siirrä toimintomuodon vaihtokytkin oikealle (↷-merkki).

HUOMAA:

Kun vaihdat asennosta ↵ asentoon ↷, toimintomuodon vaihtokytkimen siirtäminen voi olla vaikeaa. Kytke tällöin kone käyntiin ja käytä konetta sekunnin ajan asennolla ↵. Sammuta sitten kone ja siirrä kytkin haluamaasi asentoon.

VARO:

- Siirrä kytkin aina kokonaan haluamasi muotomerkin kohdalle. Jos käytät konetta kytkimen ollessa muotomerkkien välissä, kone voi vioittua.
- Älä käytä toimintomuodon vaihtokytkintä koneen käydessä. Tämä voi vioittaa konetta.

Kiinnitysmomentin säätäminen (Kuva 6)

Kiinnitysmomenttia voidaan säätää 16 portaassa kääntämällä säätörengasta siten, että sen asteikon lukemat osuvat koneen rungossa olevan nuolen kanssa kohdakkain.

Siirrä toimintomuodon vaihtokytkin ensin ↵-merkin kohdalle.

Kiinnitysmomentti on pienimmillään, kun numero 1 on nuolen kohdalla ja suurimmillaan, kun numero 16 on nuolen kohdalla. Jarrukytkin aktivoituu eri momentitiasolla riippuen numeroasetuksesta 1 – 16. Määritä työlesi sopiva momentintaso tekemällä ennen varsinaista työtä kopperuuvas työkappaleeseen tai toiseen samanlaiseen kappaleeseen.

HUOMAA:

- Säätörengas ei lukitu paikalleen, kun nuoli on asteikon merkintöjen puolivälissä.

KOKOAMINEN

VARO:

- Varmistaudu aina ennen kaikkia koneelle suoritettavia töitä, että kone on pysäytetty ja akku irrotettu.

Sivukädensijan (apukahvan) kiinnittäminen

(Kuva 7)

Käytä aina sivukädensijaa varmistukseksi työskentelyn turvallisuuden. Kiinnitä sivukädensija siten, että kädensijan teräspanna sopii koneen rummulle.

Kiristä sitten kädensija kääntämällä myötäpäivään haluamaasi asentoon. Sitä voidaan kääntää 360° ja kiinnittää mihin tahansa asentoon.


Poranterän ja vääntiöterän kiinnittäminen ja irrottaminen

Avaa istukan leuat kääntämällä kaulusta vastapäivään. Aseta terä istukkaan niin syvälle kuin se menee. Kiristä istukka kääntämällä kaulusta myötäpäivään. Terä irrote-taan kääntämällä kaulusta vastapäivään. **(Kuva 8)**
Kun terää ei käytetä, pidä se teränpitimissä. Niissä ei voi pitää yli 45 mm pituisia teriä. **(Kuva 9)**

Säädettävä svyyystanko (Lisävaruste) (Kuva 10)
Säädettävää svyyystankoa käytetään samansvyyisten reikien poraamiseen. Löysennä kiristysruuvia, aseta haluamasi svyyys ja kiristä sitten kiristysruuvia.

KÄYTTÖOHJEET

Ruuvaaminen (Kuva 11)

Siirrä toimintomuodon vaihtokytkin ensin  -merkinnän kohdalle ja valitse sitten kiinnitysmomentti.

Aseta vääntiöterän kärki ruuvin kantaan ja paina konetta. Käynnistä kone hitaasti ja lisää nopeutta vähitellen. Vapauta liipaisin, kun kytkinjarru käynnistyy.

HUOMAA:


- Varmista, että vääntiöterä on asetettu suoraan ruuvin kantaan. Muutoin ruuvi ja/tai terä saattaa vahingoittua.
- Kun kiinnität puuruuveja, poraa koereikiä helpottaaksesi kiinnittämistä ja estääksesi työkappaleen halkeamisen. Katso alla olevaa taulukkoa.

Puuruuvin nimellishalkaisija (mm)	Koereiän suositeltava koko (mm)
3,1	2,0–2,2
3,5	2,2–2,5
3,8	2,5–2,8
4,5	2,9–3,2
4,8	3,1–3,4
5,1	3,3–3,6
5,5	3,7–3,9
5,8	4,0–4,2
6,1	4,2–4,4

HUOMAA:

- Jos konetta käytetään jatkuvasti, kunnes akku on tyhjentynyt, anna koneen levätä 15 minuutin ajan, ennen kuin jatkat työskentelyä uudella akulla.

Poraaminen

Siirrä toimintomuodon vaihtokytkin ensin  -merkin kohdalle.

Poraaminen puuhun

Kun poraat puuhun, saat parhaan tuloksen käyttämällä ohjausruuvilla varustettuja puuporia. Ohjausruuvi vetää terän työkappaleeseen, mikä helpottaa poraamista.

Poraaminen metalliin

Iske porattavaan kohtaan syvennys pistepuikolla ja vasaralla estääksesi terää liukumasta, kun reiän poraaminen alkaa. Aseta terän kärki syvennykseen ja aloita poraaminen.

Käytä lastuamisnestettä, kun poraat metalliin. Poikkeuksen muodostavat rauta ja messinki. Niihin porataan kuivina.

VARO:

- Koneen liiallinen painaminen ei nopeuta poraamista. Itse asiassa tämä vain vahingoittaa terän kärkeä, heikentää koneen toimintaa ja lyhentää koneen käyttöikää.
- Läpiporautumisen hetkellä koneeseen/terään kohdistuu suuri voima. Pitele konetta tiukasti ja ole varovainen, kun terä alkaa työntyä esiin työkappaleen toiselta puolelta.
- Kiinni juttunut terä voidaan irrottaa yksinkertaisesti asettamalla pyörimissuunta päinvastaiseksi, jolloin terä työntyy ulos. Kone saattaa kuitenkin työntyä taaksepäin äkillisesti, ellei pidä siitä luja kiinni.
- Kiinnität pienet työkappaleet aina ruuvipuristimeen tai vastaavaan pitimeen.
- Jos konetta käytetään jatkuvasti, kunnes akku on tyhjentynyt, anna koneen levätä 15 minuutin ajan, ennen kuin jatkat työskentelyä uudella akulla.

HUOLTO

VARO:

- Varmista aina ennen tarkastus- ja kunnossapitotoimia, että kone on sammutettu ja että kone on pysäytetty ja akku irrotettu.

Harjahiiltien vaihtaminen (Kuva 12 ja 13)

Irrota harjahiilet säännöllisesti tarkastusta varten. Vaihda harjahiilet uusiin, kun ne ovat kuluneet rajamerkkiin saakka. Pidä harjahiilet puhtaina ja vapaina liikkumaan pitimissään. Hiilet on vaihdettava aina pareittain. Käytä vain keskenään samanlaisia harjahiiliä.

Irrota harjahiiltien kannet ruuvitaltalla. Poista kuluneet harjahiilet, aseta uudet harjahiilet paikalleen ja kiinnitä harjahiiltien kansi paikalleen.

Tuotteen TURVALLISUUDEN ja LUOTETTAVUUDEN takaamiseksi korjaukset, huollot ja säädöt tulee jättää Makitan valtuuttaman huollon tai tehtaan huollon tehtäväksi käyttäen vain Makitan varaosia.

LISÄVARUSTEET

VARO:

- Näitä lisävarusteita ja -laitteita suositellaan käytettäväksi tässä ohjekirjassa mainitun Makitan koneen kanssa. Minkä tahansa muun lisävarusteen tai -laitteen käyttäminen voi aiheuttaa loukkaantumisvaaran. Käytä lisävarusteita ja -laitteita vain niiden käyttötarkoituksen mukaisesti.

Jos tarvitset yksityiskohtaisempia tietoja näistä lvarusteista, ota yhteys paikalliseen Makitan huoltoon.

- Poranterät
- Vääntiöterät
- Kumilevysarja
- Vaahtokiillotuslevy
- Villakansi
- Eri tyyppisiä Makitan alkuperäisiä akkuja ja lataajia

Περιγραφή γενικής άποψης

1 Κασέτα μπαταρίας	7 Δείκτης	15 Θήκη αιχμής
2 Πλήκτρο	8 Δακτυλίδι ρύθμισης	16 Ράβδος βάθους
3 Σκανδάλη διακόπτης	9 Διαβαθμίσεις	17 Βίδα σύσφιξης
4 Μοχλός αντιστροφής	10 Ατσάλινη ζώνη	18 Σημάδι ορίου
διακόπτη	11 Βάση λαβής	19 Καπάκι θήκης ψήκτρας
5 Μοχλός αλλαγής ταχύτητας	12 Πλάγια λαβή	20 Κατσαβίδι
6 Μοχλός αλλαγής τρόπου λειτουργίας	13 Μανίκι	
	14 Αιχμή	

ΤΕΧΝΙΚΑ ΧΑΡΑΚΤΗΡΙΣΤΙΚΑ

Μοντέλο	6319D	6339D	6349D
Κανονήτες			
Ατσάλι	13 χιλ	13 χιλ	13 χιλ
Ξύλο	45 χιλ	50 χιλ	65 χιλ
Ξυλόβιδα	6 χιλ x 75 χιλ	6 χιλ x 75 χιλ	10 χιλ x 89 χιλ
Βίδα μηχανής	6 χιλ	6 χιλ	6 χιλ
Ταχύτητα χωρίς φορτίο (min ⁻¹)			
Υψηλή (3).....	0 – 1 600	0 – 1 700	0 – 1 700
Μέση (2).....	0 – 550	0 – 600	0 – 600
Χαμηλή (1).....	0 – 300	0 – 300	0 – 300
Συνολικό μήκος	246 χιλ	246 χιλ	246 χιλ
Καθαρό βάρος	2,2 Χγρ	2,3 Χγρ	2,6 Χγρ
Καθορισμένο βολτάζ	D.C. 12 V	D.C. 14,4 V	D.C. 18 V

- Λόγω του συνεχιζόμενου προγράμματος έρευνας και ανάπτυξης, οι παρούσες προδιαγραφές υπόκεινται σε αλλαγή χωρίς προειδοποίηση.
- Παρατήρηση: Τα τεχνικά χαρακτηριστικά μπορεί να διαφέρουν από χώρα σε χώρα.

Προοριζόμενη χρήση

Το εργαλείο προορίζεται για τρυπάνισμα και βίδωμα σε ξύλο, μέταλλο και πλαστικά.

Υποδείξεις ασφάλειας

Για την προσωπική σας ασφάλεια, ανατρέξτε στις εσωκλειστές οδηγίες ασφάλειας.

ΕΠΙΠΡΟΣΘΕΤΟΙ ΚΑΝΟΝΕΣ ΑΣΦΑΛΕΙΑΣ ΓΙΑ ΗΛΕΚΤΡΙΚΟ ΕΡΓΑΛΕΙΟ

ΜΗΝ επιτρέπετε στην βολικότητα ή εξοικείωση με το προϊόν (που αποκτήθηκε από επανειλημμένη χρήση) να αντικαταστήσει την αυστηρή προσήλωση στους κανόνες ασφάλειας του τρυπανιού. Εάν χρησιμοποιήσετε αυτό το ηλεκτρικό εργαλείο χωρίς ασφάλεια ή με εσφαλμένο τρόπο, μπορεί να υποστείτε σοβαρό προσωπικό τραυματισμό.

1. Χρησιμοποιείτε τις βοηθητικές λαβές που παρέχονται με το εργαλείο. Απώλεια ελέγχου μπορεί να προκαλέσει προσωπικό τραυματισμό.
2. Κρατάτε τα ηλεκτρικά εργαλεία από τις μονωμένες επιφάνειες πιασίματος όταν εκτελείτε μία λειτουργία όπου το εργαλείο κοπής μπορεί να κάνει επαφή με κρυμμένα καλώδια ή και με το δικό του κορδόνι. Επαφή με ένα ηλεκτροφόρο καλώδιο θα μπορούσε να έχει ως αποτέλεσμα να καταστούν και τα εκτεθειμένα μεταλλικά τμήματα του εργαλείου ηλεκτροφόρα και να προκαλέσουν ηλεκτροπληξία στον χειριστή.

3. Πάντοτε να είστε σίγουρος ότι πατάτε σταθερά. Σιγουρευτείτε ότι δεν βρίσκεται κανείς από κάτω όταν χρησιμοποιείτε το μηχάνημα σε υψηλές θέσεις.
4. Κρατάτε το μηχάνημα σταθερά.
5. Κρατάτε τα χέρια σας μακριά από τα περιστρεφόμενα μέρη.
6. Μην αφήνετε το μηχάνημα να λειτουργεί. Χρησιμοποιείτε το μηχάνημα μόνο όταν το κρατάτε.
7. Μην αγγίζετε την αιχμή ή το αντικείμενο εργασίας αμέσως μετά τη λειτουργία. Μπορεί να είναι εξαιρετικά θερμά και να σας προκαλέσουν εγκαύματα.
8. Μερικά υλικά περιέχουν χημικές ουσίες που μπορεί να είναι τοξικές. Προσέχετε να μην εισπνεύσετε σκόνη και να μην έχετε δερματική επαφή. Ακολουθείστε τις οδηγίες ασφάλειας του προμηθευτή των υλικών.

ΦΥΛΑΞΤΕ ΤΙΣ ΟΔΗΓΙΕΣ ΑΥΤΕΣ.

ΣΗΜΑΝΤΙΚΕΣ ΟΔΗΓΙΕΣ ΑΣΦΑΛΕΙΑΣ ΓΙΑ ΦΟΡΤΙΣΤΗ ΚΑΙ ΚΑΣΕΤΑ ΜΠΑΤΑΡΙΑΣ

1. Πριν χρησιμοποιήσετε την κασέτα μπαταρίας, διαβάστε όλες τις οδηγίες και σημειώσεις προφύλαξης (1) στον φορτιστή μπαταρίας, (2) στην μπαταρία και (3) στο προϊόν που χρησιμοποιείτε την μπαταρία.
2. Μην αποσυναρμολογήσετε την κασέτα μπαταρίας.
3. Εάν ο χρόνος λειτουργίας έχει γίνει υπερβολικά βραχύς, σταματήστε την λειτουργία αμέσως. Αλλιώς, μπορεί να έχει ως αποτέλεσμα κίνδυνο υπερθέρμανσης, πιθανά εγκαύματα ή ακόμη και έκρηξη.

4. Εάν ηλεκτρολύτης μπει στα μάτια σας, ξεπλύνετε τα με καθαρό νερό και ζητήστε ιατρική φροντίδα αμέσως. Αλλιώς, μπορεί να έχει ως αποτέλεσμα απώλεια της όρασης σας.
5. Πάντοτε καλύπτετε τους πόλους της μπαταρίας με το κάλυμμα της μπαταρίας όταν η κασέτα μπαταρίας δεν χρησιμοποιείται.
6. Μη βραχυκυκλώνετε την κασέτα μπαταρίας:

(1) Μην αγγίζετε τους πόλους με σιδηρό ή οποιοδήποτε αγώγιμο υλικό.

(2) Αποφεύγετε να αποθηκεύετε την κασέτα μπαταρίας μέσα σε ένα δοχείο μαζί με άλλα μεταλλικά αντικείμενα όπως καρφιά, νομίσματα, κλπ.

(3) Μην εκθέτε την κασέτα μπαταρίας στο νερό ή στη βροχή.

Ενα βραχυκύκλωμα μπαταρίας μπορεί να προκαλέσει μεγάλη ροή ρεύματος, υπερθέρμανση, πιθανά εγκαύματα ακόμη και σοβαρή βλάβη.

7. Μην αποθηκεύετε το εργαλείο και την κασέτα μπαταρίας σε τοποθεσίες όπου η θερμοκρασία μπορεί να φτάσει ή να ξεπεράσει τους 50°C.
8. Μη καίτε την κασέτα μπαταρίας ακόμη και εάν έχει σοβαρή ζημιά ή είναι εντελώς φθαρμένη. Η κασέτα μπαταρίας μπορεί να εκραγεί στην φωτιά.
9. Προσέχετε να μη ρίξετε κάτω ή χτυπήσετε την μπαταρία.

ΦΥΛΑΞΤΕ ΤΙΣ ΟΔΗΓΙΕΣ ΑΥΤΕΣ.

Συμβουλές για διατήρηση μέγιστης ζωής μπαταρίας

1. Φορτίζετε την κασέτα μπαταρίας πριν από την πλήρη αποφόρτιση της. Πάντοτε σταματάτε την λειτουργία του εργαλείου και φορτίζετε την κασέτα μπαταρίας όταν παρατηρήτε μειωμένη ισχύ εργαλείου.
2. Ποτέ μην επαναφορτίζετε μία πλήρως φορτισμένη κασέτα μπαταρίας. Υπερφόρτιση μειώνει την ωφέλιμη ζωή της μπαταρίας.
3. Φορτίζετε την κασέτα μπαταρίας σε θερμοκρασία δωματίου 10°C – 40°C. Αφήστε μία θερμή κασέτα μπαταρίας να κρυώσει πριν την φορτίσετε.
4. Φορτίστε την κασέτα μπαταρίας Μεταλλικού Υδριδίου Νικελίου όταν δεν την χρησιμοποιήσετε για περισσότερο από έξι μήνες.

ΛΕΙΤΟΥΡΓΙΚΗ ΠΕΡΙΓΡΑΦΗ

ΠΡΟΣΟΧΗ:

- Πάντοτε βεβαιώνεστε ότι το εργαλείο είναι σβηστό και η κασέτα μπαταρίας έχει αφαιρεθεί πριν ρυθμίσετε ή ελέγξετε κάποια λειτουργία στο εργαλείο.

Τοποθέτηση ή αφαίρεση της κασέτας μπαταρίας (Εικ. 1)

- Πάντοτε σβήνετε το μηχάνημα πριν τοποθετήσετε ή αφαιρέσετε την κασέτα μπαταρίας.
- Για να αφαιρέσετε τη κασέτα μπαταρίας, τραβήχτε τη έξω από το μηχάνημα ενώ πιέζετε τα πλήκτρα και στις δύο πλευρές της κασέτας.
- Για να τοποθετήσετε τη κασέτα μπαταρίας, ευθυγραμμίστε τη γλώσσα στη κασέτα μπαταρίας με την εγκοπή στο περίβλημα και σύρετε τη στη θέση της. Πάντα βάζετε τη βαθεία μέσα μέχρι να κλειδώσει στη θέση της με ένα μικρό κλικ. Διαφορετικά, μπορεί να πέσει έξω από το μηχάνημα, και να τραυματίσει εσάς ή κάποιον άλλο.
- Μη βάζετε δύναμη όταν τοποθετείτε την κασέτα μπαταρίας. Εάν η κασέτα δεν εισέρχεται με ευκολία, δεν είναι τοποθετημένη σωστά.

Λειτουργία διακόπτη (Εικ. 2)

ΠΡΟΣΟΧΗ:

- Πριν βάλετε τη κασέτα μπαταρίας μέσα στο μηχάνημα, πάντοτε ελέγχετε να δείτε ότι η σκανδάλη διακόπτης ενεργοποιείται κανονικά και επιστρέφει στη θέση "OFF" όταν ελευθερώνεται.

Για να ξεκινήσει το μηχάνημα, απλώς τραβήχτε τη σκανδάλη. Η ταχύτητα του μηχανήματος αυξάνεται αυξανοντας τη πίεση στη σκανδάλη. Αφήστε τη σκανδάλη για να σταματήσει.

Αντιστροφή λειτουργίας διακόπτη (Εικ. 3)

Αυτό το μηχάνημα έχει ένα διακόπτη αντιστροφής για να αλλάζει τη διεύθυνση περιστροφής. Πατήστε το μοχλό διακόπτη αντιστροφής από τη πλευρά Α για δεξιόστροφη περιστροφή ή από την πλευρά Β για αριστερόστροφη.

Όταν ο μοχλός διακόπτη είναι στην ουδέτερη θέση, η σκανδάλη διακόπτης δεν μπορεί να τραβηχθεί.

ΠΡΟΣΟΧΗ:

- Πάντοτε ελέγχετε τη διεύθυνση περιστροφής πριν από τη λειτουργία.
- Χρησιμοποιείτε το διακόπτη αντιστροφής μόνο αφού το μηχάνημα έχει σταματήσει εντελώς. Αλλαγή της διεύθυνσης περιστροφής πριν το μηχάνημα σταματήσει μπορεί να προκαλέσει ζημιά στο μηχάνημα.
- Όταν δεν χρησιμοποιείται την μηχανήματα, πάντα πρέπει να θέτετε το μοχλό διακόπτη αντιστροφής στην ουδέτερη θέση.

Αλλαγή ταχύτητας (Εικ. 4)

Αυτό το εργαλείο έχει ένα μοχλό αλλαγής ταχυτήτων τριών θέσεων. Για αλλαγή ταχύτητας, πρώτα σβήστε το εργαλείο και μετά σύρετε τον μοχλό αλλαγής ταχυτήτων στη θέση "1" για χαμηλή ταχύτητα, στη θέση "2" για μέση ταχύτητα, ή στη θέση "3" για υψηλή ταχύτητα. Βεβαιωθείτε ότι ο μοχλός αλλαγής ταχυτήτων είναι τοποθετημένος στην σωστή θέση πριν από την λειτουργία. Χρησιμοποιήστε την σωστή ταχύτητα για την εργασία σας.

ΣΗΜΕΙΩΣΗ:

Όταν αλλάζετε την ταχύτητα από το "1" στο "3" ή από το "3" στο "1", μπορεί να είναι λίγο δύσκολο να σύρετε τον μοχλό αλλαγής ταχυτήτων. Σε τέτοια στιγμή, ανάψτε και λειτουργήστε το εργαλείο για δευτερόλεπτα στην θέση "2", μετά σταματήστε το εργαλείο και σύρετε το στην επιθυμητή θέση.

ΠΡΟΣΟΧΗ:

- Πάντοτε τοποθετείτε τον μοχλό αλλαγής ταχυτήτων στη σωστή θέση με ακρίβεια. Εάν λειτουργείτε το εργαλείο με τον μοχλό αλλαγής ταχυτήτων τοποθετημένο στο ενδιάμεσο μεταξύ της θέσης “1” , θέσης “2” και θέσης “3”, το εργαλείο μπορεί να υποστεί ζημιά.
- Μη χρησιμοποιείτε το μοχλό αλλαγής ταχύτητας ενώ το μηχάνημα λειτουργεί. Το μηχάνημα μπορεί να πάθει ζημιά.

Επιλογή της διαμόρφωσης δράσης (Εικ. 5)

Αυτό το εργαλείο έχει έναν μοχλό αλλαγής τρόπου δράσης. Για τρυπάνισμα, σύρτε τον μοχλό αλλαγής τρόπου δράσης στα αριστερά (σύμβολο ☰).

Για βίδωμα, σύρτε τον μοχλό αλλαγής τρόπου δράσης στα δεξιά (σύμβολο ☱).

ΣΗΜΕΙΩΣΗ:

Όταν αλλάξετε την ταχύτητα από το ☱ στο ☰, μπορεί να είναι λίγο δύσκολο να σύρετε τον μοχλό αλλαγής τρόπου δράσης. Σε τέτοια στιγμή, ανάψτε και λειτουργήστε το εργαλείο για δευτερόλεπτα στην θέση ☱, μετά σταματήστε το εργαλείο και σύρτε το στην επιθυμητή θέση.

ΠΡΟΣΟΧΗ:

- Πάντοτε σύρετε τον μοχλό αλλαγής τρόπου δράσης πλήρως στην επιθυμητή θέση λειτουργίας. Εάν λειτουργείτε το εργαλείο με τον μοχλό τοποθετημένο στο ενδιάμεσο της απόστασης των συμβόλων λειτουργίας, το εργαλείο μπορεί να πάθει ζημιά.
- Μη χρησιμοποιείτε τον μοχλό αλλαγής τρόπου δράσης ενώ το εργαλείο λειτουργεί. Το εργαλείο μπορεί να πάθει ζημιά.

Ρύθμιση της ροπής στερέωσης (Εικ. 6)

Η ροπή στερέωσης μπορεί να ρυθμιστεί σε 16 βήματα στρίβοντας το δαχτυλίδι έτσι ώστε οι διαβαθμίσεις του να ευθυγραμμίζονται με το δείκτη στο σώμα του μηχανήματος.

Πρώτα, σύρτε τον μοχλό αλλαγής τρόπου δράσης στην θέση ενός συμβόλου ☱.

Η ροπή στερέωσης είναι ελαχίστη όταν ο αριθμός 1 είναι ευθυγραμμισμένος με το βέλος και μέγιστη όταν ο αριθμός 16 είναι ευθυγραμμισμένος με το βέλος. Ο συμπλέκτης θα γλιστράει σε διάφορα επίπεδα ροπής όταν ρυθμιστεί σε αριθμό από 1 έως 16. Πριν από την πραγματική λειτουργία, βιδώστε μία δοκιμαστική βίδα στο υλικό σας ή σε ένα τεμάχιο παρόμοιου υλικού για να διαπιστώσετε τι επίπεδο ροπής απαιτείται για μία ιδιαίτερη εφαρμογή.

ΣΗΜΕΙΩΣΗ:

- Ο δακτύλιος ρύθμισης δεν κλειδώνει όταν το βέλος είναι τοποθετημένο στο ενδιάμεσο μεταξύ των διαβαθμίσεων.

ΣΥΝΟΛΟ ΕΡΓΑΛΕΙΟΥ

ΠΡΟΣΟΧΗ:

- Πριν την εκτέλεση εργασιών με τη συσκευή διαβεβαιώνετε πάντοτε, για το ότι η συσκευή σβήστηκε με απομακρυσμένο το συσσωρευτή.

Τοποθέτηση πλάγιας λαβής (βοηθητική λαβή) (Εικ. 7)

Πάντοτε χρησιμοποιείτε την πλάγια λαβή για επιβεβαίωση ασφάλειας λειτουργίας.

Τοποθετήστε την πλάγια λαβή έτσι ώστε η ατσάλινη ζώνη στην λαβή εφαρμόζει στον κύλινδρο του εργαλείου.

Μετά σφίξτε την λαβή στρίβοντας δεξιόστροφα στην επιθυμητή θέση. Μπορεί να περιστραφεί κατά 360° ώστε να μπορεί να ασφαλιστεί σε οποιαδήποτε θέση.

Τοποθέτηση ή αφαίρεση αιχμής κατασβιδιού ή τρυπανιού

Στρίψτε το μανίκι αριστερόστροφα για να ανοίξετε τις σιαγώνες του σφιγκτήρα. Βάλτε την αιχμή στον σφιγκτήρα όσο βαθειά μπορεί να πάει. Στρίψτε το μανίκι δεξιόστροφα για να σφίξετε τον σφιγκτήρα. Για να αφαιρέσετε την αιχμή, στρίψτε το μανίκι αριστερόστροφα. (Εικ. 8)

Όταν δεν χρησιμοποιείτε την αιχμή κατασβιδιού, φυλάξτε την στις θήκες αιχμών. Αιχμές 45 χιλ μήκους μπορεί να φυλαχτούν εκεί. (Εικ. 9)

Ρυθμιζόμενη ράβδος βάθους (εξάρτημα) (Εικ. 10)

Η ρυθμιζόμενη ράβδος βάθους χρησιμοποιείται για να κάνει τρύπες ομοιόμορφου βάθους. Χαλαρώστε την βίδα σύσφιξης, ρυθμίστε στην επιθυμητή θέση και μετά σφίξτε την βίδα σύσφιξης.

ΟΔΗΓΙΕΣ ΧΡΗΣΗΣ

Λειτουργία βιδώματος (Εικ. 11)

Πρώτα, σύρτε τον μοχλό αλλαγής τρόπου δράσης στην θέση ενός συμβόλου ☱ και επιλέξτε την ροπή στερέωσης.

Τοποθετήστε το άκρο της αιχμής βιδοτρυπανιού στο κεφάλι της βίδας και εφαρμόστε πίεση στο μηχανήμα. Ξεκινήστε το μηχανήμα αργά και μετά αυξήστε την ταχύτητα βαθμιαία. Αφήστε τη σκανδάλη μόλις ο συμπλέκτης παρέρμει.

ΠΑΡΑΤΗΡΗΣΗ:

- Βεβαιώστε ότι η αιχμή του βιδοτρυπανιού εισέρχεται ίσια στη κεφαλή της βίδας, διαφορετικά η βίδα και η αιχμή μπορεί να πάθουν ζημιά.
- Όταν βιδώνετε ξυλόβιδες, ανοίξτε τρύπες οδηγούς για να κάνετε το βιδώμα ευκολότερο και να αποφύγετε σχίσμο του αντικειμένου εργασίας. Δείτε τον παρακάτω πίνακα.

Ονομαστική διάμ. ξυλόβιδας (χιλ.)	Συνιστώμενο μέγεθος τρύπας οδηγού (χιλ.)
3,1	2,0–2,2
3,5	2,2–2,5
3,8	2,5–2,8
4,5	2,9–3,2
4,8	3,1–3,4
5,1	3,3–3,6
5,5	3,7–3,9
5,8	4,0–4,2
6,1	4,2–4,4

ΠΑΡΑΤΗΡΗΣΗ:

- Εάν το μηχανήμα λειτουργεί συνεχώς μέχρι η κασέτα μπαταρίας αδειάζει, αφήστε το μηχανήμα να αναπαυθεί για 15 λεπτά πριν προχωρήσετε με μία νέα μπαταρία.

Λειτουργία τρυπάνισματος

Πρώτα, σύρτε τον μοχλό αλλαγής τρόπου δράσης στην θέση ενός συμβόλου ☒.

Τρυπάνισμα σε ξύλο

Όταν τρυπανίζετε σε ξύλο, τα καλύτερα αποτελέσματα επιτυγχάνονται με τρυπάνια ξύλου εφοδιασμένα με βίδα οδηγό. Η βίδα οδηγός κάνει το τρυπάνισμα ευκολότερο παρασύροντας την αιχμή μέσα στο αντικείμενο εργασίας.

Τρυπάνισμα σε μέταλλο

Για να αποφύγετε γλίστρημα της αιχμής όταν αρχίζετε μία τρύπα, κάντε ένα βαθούλωμα με ένα καλέμι και σφυρί στο σημείο τρυπανισμού. Τοποθετήστε το άκρο της αιχμής στο βαθούλωμα και αρχίστε το τρυπάνισμα.

Χρησιμοποιείτε ένα λιπαντικό κοπής όταν τρυπανίζετε σε μέταλλα. Οι εξαιρέσεις είναι ο σίδηρος και ο μπρούτζος που πρέπει να τρυπανίζονται στεγνά.

ΠΡΟΣΟΧΗ:

- Πιέζοντας υπερβολικά στο μηχάνημα δεν θα επιταχύνει το τρυπάνισμα. Στη πραγματικότητα, αυτή η υπερβολική πίεση θα προκαλέσει μόνο ζημιά στο άκρο της αιχμής, θα μειώσει την απόδοση του μηχανήματος και θα βραχύνει τον ωφέλιμο χρόνο χρήσης του μηχανήματος.
- Μία τρομακτική δύναμη εξασκείται στο μηχάνημα/αιχμή κατά τη στιγμή που το τρυπάνι διαπερνά την τρύπα. Κρατάτε το μηχάνημα σταθερά και προσέχετε πολύ κατά τη στιγμή που το μηχάνημα αρχίζει τη διαπέραση της τρύπας.
- Μία μαγκωμένη αιχμή μπορεί να αφαιρεθεί απλώς βάζοντας το διακόπτη αντιστροφής να αντιστρέψει τη περιστροφή για να οπισθοδρομήσει. Όμως το μηχάνημα μπορεί να οπισθοδρομήσει απότομα εάν δεν το κρατάτε σταθερά.
- Πάντοτε στερεώνετε μικρά αντικείμενα εργασίας σε μία μέγγενη ή σε παρόμοια συσκευή ακινητοποίησης.
- Εάν το μηχάνημα λειτουργεί συνεχώς μέχρι η κασέτα μπαταρίας αδειάσει, αφήστε το μηχάνημα να αναπαυθεί για 15 λεπτά πριν προχωρήσετε με μία νέα μπαταρία.

ΣΥΝΤΗΡΗΣΗ

ΠΡΟΣΟΧΗ:

- Πριν την εκτέλεση εργασιών με τη συσκευή διαβιβώννεστε πάντοτε, για το ότι η συσκευή σβήστηκε με απομακρυσμένο το συσσωρευτή.

Αντικατάσταση ψηκτρών άνθρακα (Εικ. 12 και 13)

Αφαιρείτε και ελέγχετε τις ψηκτρες άνθρακα τακτικά. Αντικαθιστάτε τις όταν έχουν φθαρεί στο σημάδι ορίου. Κρατάτε τις ψηκτρες άνθρακα καθαρές και ελεύθερες να γλυστρούν στις θήκες. Και οι δύο ψηκτρες άνθρακα πρέπει να αντικαθίστανται ταυτόχρονα. Χρησιμοποιείτε μόνο ταυτόσημες ψηκτρες άνθρακα.

Χρησιμοποιείτε ένα κατσαβίδι για να αφαιρέσετε τα καπάκια των ψηκτρών άνθρακα. Βγάλετε τις φθαρμένες ψηκτρες άνθρακα, βάλτε τις καινούργιες και ασφαλίστε τα καπάκια των ψηκτρών άνθρακα.

Για τη διατήρηση της ΑΣΦΑΛΕΙΑΣ και ΑΞΙΟΠΙΣΤΙΑΣ των προϊόντων, πρέπει οι επισκευές και οποιαδήποτε άλλη συντήρηση ή ρύθμιση να εκτελούνται από τα Κέντρα Σέρβις του Εργοστασίου ή από τα εξουσιοδοτημένα από την Μάκιτα Κέντρα Σέρβις, με χρήση πάντοτε ανταλλακτικών Μάκιτα.

ΑΝΤΑΛΛΑΚΤΙΚΑ

ΠΡΟΣΟΧΗ:

- Αυτά τα ανταλλακτικά ή προσαρτήματα συνιστώνται για χρήση με το εργαλείο σας της Μάκιτα που περιγράφεται στο εγχειρίδιο αυτό. Η χρήση οτιδήποτε άλλων ανταλλακτικών ή προσαρτημάτων μπορεί να παρουσιάσουν κίνδυνο τραυματισμού σε άτομα.

Εάν χρειάζεστε βοήθεια ή περισσότερες λεπτομέρειες σε σχέση με αυτά τα ανταλλακτικά, ρωτήστε το τοπικό σας κέντρο εξυπηρέτησης της Μάκιτα.

- Αιχμές τρυπανιού
- Αιχμές βιδώματος
- Σύνολο ελαστικού υποθέματος
- Αφρώδες στιλβωτικό υπόθεμα
- Μάλλινο κάλυμμα
- Διάφοροι τύποι αυθεντικών μπαταριών και φορτιστών Μάκιτα

ENGLISH**EC-DECLARATION OF CONFORMITY**

We declare under our sole responsibility that this product is in compliance with the following standards of standardized documents, EN60745, EN55014 in accordance with Council Directives, 89/336/EEC and 98/37/EC.

FRANÇAISE**DÉCLARATION DE CONFORMITÉ CE**

Nous déclarons sous notre entière responsabilité que ce produit est conforme aux normes des documents standardisés suivants, EN60745, EN55014 conformément aux Directives du Conseil, 89/336/CEE et 98/37/EG.

DEUTSCH**CE-KONFORMITÄTSERKLÄRUNG**

Hiermit erklärt wir unter unserer alleinigen Verantwortung, daß dieses Produkt gemäß den Ratsdirektiven 89/336/EWG und 98/37/EG mit den folgenden Normen von Normendokumenten übereinstimmen:

EN60745, EN55014.

ITALIANO**DICHIARAZIONE DI CONFORMITÀ
CON LE NORME DELLA COMUNITÀ EUROPEA**

Dichiariamo sotto la nostra sola responsabilità che questo prodotto è conforme agli standard di documenti standardizzati seguenti: EN60745, EN55014 secondo le direttive del Consiglio 89/336/CEE e 98/37/CE.

NEDERLANDS**EG-VERKLARING VAN CONFORMITEIT**

Wij verklaren hierbij uitsluitend op eigen verantwoordelijkheid dat dit produkt voldoet aan de volgende normen van genormaliseerde documenten,

EN60745, EN55014 in overeenstemming met de richtlijnen van de Raad 89/336/EEC en 98/37/EC.

ESPAÑOL**DECLARACIÓN DE CONFORMIDAD DE LA CE**

Declaramos bajo nuestra sola responsabilidad que este producto cumple con las siguientes normas de documentos normalizados, EN60745, EN55014

de acuerdo con las directivas comunitarias, 89/336/EEC y 98/37/CE.

Yasuhiko Kanzaki **CE 2004**



Director	Amministratore
Directeur	Directeur
Direktor	Director

MAKITA INTERNATIONAL EUROPE LTD.

Michigan Drive, Tongwell, Milton Keynes,
Bucks MK15 8JD, ENGLAND

Responsible manufacturer:	Produttore responsabile:
Fabricant responsable :	Verantwoordelijke fabrikant:
Verantwortlicher Hersteller:	Fabricante responsable:

Makita Corporation Anjo Aichi Japan

PORTUGUÊS

DECLARAÇÃO DE CONFORMIDADE DA CE

Declaramos sob inteira responsabilidade que este produto obedece às seguintes normas de documentos normalizados, EN60745, EN55014 de acordo com as directivas 89/336/CEE e 98/37/CE do Conselho.

DANSK

EU-DEKLARATION OM KONFORMITET

Vi erklærer hermed på eget ansvar, at dette produkt er i overensstemmelse med de følgende standarder i de normsættende dokumenter, EN60745, EN55014 i overensstemmelse med Rådets Direktiver 89/336/EEC og 98/37/EC.

SVENSKA

EG-DEKLARATION OM ÖVERENSSTÄMMELSE

Under eget ansvar deklarerar vi härmed att denna produkt överensstämmer med följande standardiseringar för standardiserade dokument,

EN60745, EN55014 i enlighet med EG-direktiven 89/336/EEC och 98/37/EC.

NORSK

EU's SAMSVARS-ERKLÆRING

Vi erklærer på eget ansvar at dette produktet er i overensstemmelse med følgende standard i de standardiserte dokumenter: EN60745, EN55014, i samsvar med Råds-direktivene, 89/336/EEC og 98/37/EC.

SUOMI

VAKUUTUS EC-VASTAAVUUDESTA

Yksinomaisesti vastuullisina ilmoitamme, että tämä tuote on seuraavien standardoitujen dokumenttien standardien mukainen, EN60745, EN55014 neuvoston direktiivien 89/336/EEC ja 98/37/EC mukaisesti.

ΕΛΛΗΝΙΚΑ

ΔΗΛΩΣΗ ΣΥΜΜΟΡΦΩΣΗΣ ΕΚ

Δηλώνουμε υπό την μοναδική μας ευθύνη ότι αυτό το προϊόν βρίσκεται σε Συμφωνία με τα ακόλουθα πρότυπα τυποποιημένων εγγράφων,

EN60745, EN55014 σύμφωνα με τις Οδηγίες του Συμβουλίου, 89/336/EEC και 98/37/ΚΕ.

Yasuhiko Kanzaki CE 2004



Director	Direktor
Direktör	Johtaja
Direktör	Διευθυντής

MAKITA INTERNATIONAL EUROPE LTD.

Michigan Drive, Tongwell, Milton Keynes,
Bucks MK15 8JD, ENGLAND

Fabricante responsável:	Ansvarlig produsent:
Ansvarlig fabrikant:	Vastaava valmistaja:
Ansvarig tillverkare:	Υπεύθυνος κατασκευαστής:
Makita Corporation Anjo Aichi Japan	

ENGLISH**Noise and Vibration of Model 6319D/6339D**

The typical A-weighted sound pressure level is 75 dB (A).
The noise level under working may exceed 85 dB (A).

– Wear ear protection. –

The typical weighted root mean square acceleration value is not more than 2.5 m/s².

These values have been obtained according to EN50260.

Noise and Vibration of Model 6349D

The typical A-weighted sound pressure level is 71 dB (A).
The noise level under working may exceed 85 dB (A).

– Wear ear protection. –

The typical weighted root mean square acceleration value is not more than 2.5 m/s².

These values have been obtained according to EN50260.

FRANÇAISE**Bruit et vibrations du modèle 6319D/6339D**

Le niveau de pression sonore pondéré type A est de 75 dB (A).

Le niveau de bruit en fonctionnement peut dépasser 85 dB (A).

– Porter des protecteurs anti-bruit. –

L'accélération pondérée ne dépasse pas 2,5 m/s².

Ces valeurs ont été obtenues selon EN50260.

Bruit et vibrations du modèle 6349D

Le niveau de pression sonore pondéré type A est de 71 dB (A).

Le niveau de bruit en fonctionnement peut dépasser 85 dB (A).

– Porter des protecteurs anti-bruit. –

L'accélération pondérée ne dépasse pas 2,5 m/s².

Ces valeurs ont été obtenues selon EN50260.

DEUTSCH**Geräusch- und Vibrationsentwicklung des Modells 6319D/6339D**

Der typische A-bewertete Schalldruckpegel beträgt 75 dB (A).
Der Lärmpegel kann während des Betriebs 85 dB (A) überschreiten.

– Gehörschutz tragen. –

Der gewichtete Effektivwert der Beschleunigung beträgt nicht mehr als 2,5 m/s².

Diese Werte wurden gemäß EN50260 erhalten.

Geräusch- und Vibrationsentwicklung des Modells 6349D

Der typische A-bewertete Schalldruckpegel beträgt 71 dB (A).
Der Lärmpegel kann während des Betriebs 85 dB (A) überschreiten.

– Gehörschutz tragen. –

Der gewichtete Effektivwert der Beschleunigung beträgt nicht mehr als 2,5 m/s².

Diese Werte wurden gemäß EN50260 erhalten.

ITALIANO**Rumore e vibrazione del modello 6319D/6339D**

Il livello di pressione sonora pesata secondo la curva A è di 75 dB (A).

Il livello di rumore durante il lavoro potrebbe superare gli 85 dB (A).

– Indossare i paraorecchi. –

Il valore quadratico medio di accelerazione non supera i 2,5 m/s².

Questi valori sono stati ottenuti in conformità EN50260.

Rumore e vibrazione del modello 6349D

Il livello di pressione sonora pesata secondo la curva A è di 71 dB (A).

Il livello di rumore durante il lavoro potrebbe superare gli 85 dB (A).

– Indossare i paraorecchi. –

Il valore quadratico medio di accelerazione non supera i 2,5 m/s².

Questi valori sono stati ottenuti in conformità EN50260.

NEDERLANDS**Geluidsniveau en trilling van het model 6319D/6339D**

Het typische A-gewogen geluidsdruk niveau is 75 dB (A).

Tijdens het werken kan het geluidsniveau 85 dB (A) overschrijden.

– Draag oorbeschermers. –

De typische gewogen effectieve versnellingswaarde is niet meer dan 2,5 m/s².

Deze waarden werden verkregen in overeenstemming met EN50260.

Geluidsniveau en trilling van het model 6349D

Het typische A-gewogen geluidsdruk niveau is 71 dB (A).

Tijdens het werken kan het geluidsniveau 85 dB (A) overschrijden.

– Draag oorbeschermers. –

De typische gewogen effectieve versnellingswaarde is niet meer dan 2,5 m/s².

Deze waarden werden verkregen in overeenstemming met EN50260.

ESPAÑOL**Ruido y vibración del modelo 6319D/6339D**

El nivel de presión sonora ponderada A es de 75 dB (A).

El nivel de ruido en condiciones de trabajo puede que sobrepase los 85 dB (A).

– Póngase protectores en los oídos. –

El valor ponderado de la aceleración no sobrepasa los 2,5 m/s².

Estos valores han sido obtenidos de acuerdo con EN50260.

Ruido y vibración del modelo 6349D

El nivel de presión sonora ponderada A es de 71 dB (A).

El nivel de ruido en condiciones de trabajo puede que sobrepase los 85 dB (A).

– Póngase protectores en los oídos. –

El valor ponderado de la aceleración no sobrepasa los 2,5 m/s².

Estos valores han sido obtenidos de acuerdo con EN50260.

PORTUGUÊS

Ruído e vibração do modelo 6319D/6339D

O nível normal de pressão sonora A é 75 dB (A).
O nível de ruído durante o trabalho pode exceder 85 dB (A).
– Utilize protectores para os ouvidos –
O valor médio da aceleração é inferior a $2,5 \text{ m/s}^2$.
Estes valores foram obtidos de acordo com EN50260.

Ruído e vibração do modelo 6349D

O nível normal de pressão sonora A é 71 dB (A).
O nível de ruído durante o trabalho pode exceder 85 dB (A).
– Utilize protectores para os ouvidos –
O valor médio da aceleração é inferior a $2,5 \text{ m/s}^2$.
Estes valores foram obtidos de acordo com EN50260.

DANSK

Lyd og vibration fra model 6319D/6339D

Det typiske A-vægtede lydtryksniveau er 75 dB (A).
Støjniveauet under arbejde kan overstige 85 dB (A).
– Bær høreværn. –
Den vægtede effektive accelerationsværdi overstiger ikke $2,5 \text{ m/s}^2$.
Disse værdier er beregnet i overensstemmelse med EN50260.

Lyd og vibration fra model 6349D

Det typiske A-vægtede lydtryksniveau er 71 dB (A).
Støjniveauet under arbejde kan overstige 85 dB (A).
– Bær høreværn. –
Den vægtede effektive accelerationsværdi overstiger ikke $2,5 \text{ m/s}^2$.
Disse værdier er beregnet i overensstemmelse med EN50260.

SVENSKA

Buller och vibration hos modell 6319D/6339D

Den typiska A-vägda ljudtrycksnivån är 75 dB (A).
Bullernivån under pågående arbete kan överstiga 85 dB (A).
– Använd hörselskydd –
Det typiskt vägda effektivvärdet för acceleration överstiger inte $2,5 \text{ m/s}^2$.
Dessa värden har erhållits i enlighet med EN50260.

Buller och vibration hos modell 6349D

Den typiska A-vägda ljudtrycksnivån är 71 dB (A).
Bullernivån under pågående arbete kan överstiga 85 dB (A).
– Använd hörselskydd –
Det typiskt vägda effektivvärdet för acceleration överstiger inte $2,5 \text{ m/s}^2$.
Dessa värden har erhållits i enlighet med EN50260.

NORSK

Støy og vibrasjon fra modell 6319D/6339D

Det vanlige A-verktet lydtryksnivå er 75 dB (A).
Under bruk kan støynivået overskride 85 dB (A).
– Benytt hørselvern. –
Den typiske vektete effektive akselerasjonsverdi overskrider ikke $2,5 \text{ m/s}^2$.
Disse verdiene er beregnet eller målt i samsvar med EN50260.

Støy og vibrasjon fra modell 6349D

Det vanlige A-verktet lydtryksnivå er 71 dB (A).
Under bruk kan støynivået overskride 85 dB (A).
– Benytt hørselvern. –
Den typiske vektete effektive akselerasjonsverdi overskrider ikke $2,5 \text{ m/s}^2$.
Disse verdiene er beregnet eller målt i samsvar med EN50260.

SUOMI

Mallin 6319D/6339D melutaso ja tärinä

Tyypillinen A-painotettu äänenpainetaso on 75 dB (A).
Melutaso työpaikalla saattaa ylittää 85 dB (A).
– Käytä kuulosuojaimia. –
Tyypillinen kiihtyvyyden painotettu tehollisarvo ei ylitä $2,5 \text{ m/s}^2$.
Nämä arvot on mitattu normin EN50260 mukaisesti.

Mallin 6349D melutaso ja tärinä

Tyypillinen A-painotettu äänenpainetaso on 71 dB (A).
Melutaso työpaikalla saattaa ylittää 85 dB (A).
– Käytä kuulosuojaimia. –
Tyypillinen kiihtyvyyden painotettu tehollisarvo ei ylitä $2,5 \text{ m/s}^2$.
Nämä arvot on mitattu normin EN50260 mukaisesti.

ΕΛΛΗΝΙΚΑ

Θόρυβος και κραδασμός του μοντέλου 6319D/6339D

Η τυπική Α-μετρούμενη ηχητική πίεση είναι 75 dB (A).
Η ένταση ήχου υπο συνθήκες εργασίας μπορεί να υπερβεί τα 85 dB (A).
– Φοράτε ωτοασπίδες. –
Η τυπική αξία της μετρούμενης ρίζας του μέσου τετραγώνου της επιτάχυνσης δεν ξεπερνά τα $2,5 \text{ m/s}^2$.
Αυτές οι τιμές έχουν σημειωθεί σύμφωνα με το EN50260.

Θόρυβος και κραδασμός του μοντέλου 6349D

Η τυπική Α-μετρούμενη ηχητική πίεση είναι 71 dB (A).
Η ένταση ήχου υπο συνθήκες εργασίας μπορεί να υπερβεί τα 85 dB (A).
– Φοράτε ωτοασπίδες. –
Η τυπική αξία της μετρούμενης ρίζας του μέσου τετραγώνου της επιτάχυνσης δεν ξεπερνά τα $2,5 \text{ m/s}^2$.
Αυτές οι τιμές έχουν σημειωθεί σύμφωνα με το EN50260.

Makita Corporation

Anjo, Aichi, Japan

884559-990