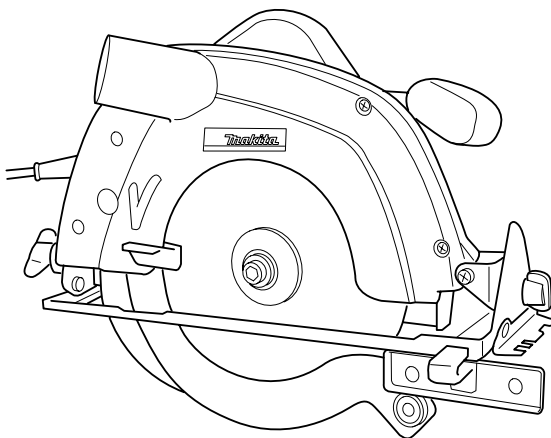
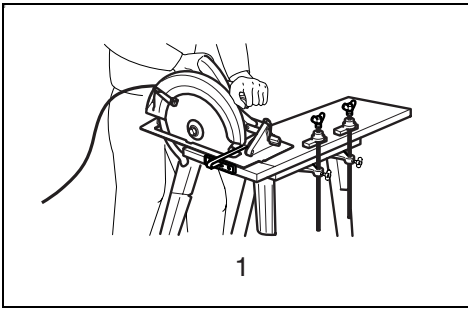


Makita®

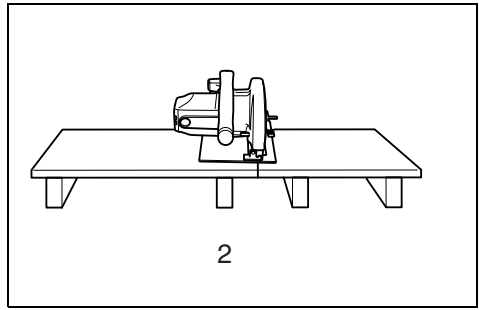
GB	Circular Saw	Instruction Manual
F	Scie circulaire	Manuel d'instructions
D	Handkreissäge	Betriebsanleitung
I	Sega circolare	Istruzioni per l'uso
NL	Cirkelzaagmachine	Gebruiksaanwijzing
E	Sierra circular	Manual de instrucciones
P	Serra circular	Manual de instruções
DK	Rundsav	Brugsanvisning
S	Cirkelsåg	Bruksanvisning
N	Sirkelsag	Bruksanvisning
FIN	Pyörösäht	Käyttöohje
GR	Δισκοπρίονο	Οδηγίες χρήσεως

165 mm 5604R

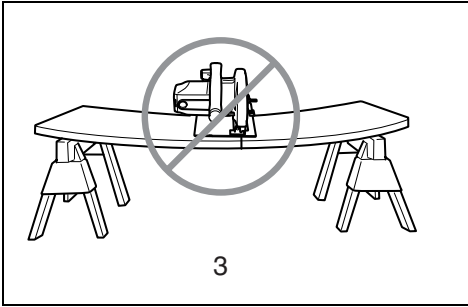




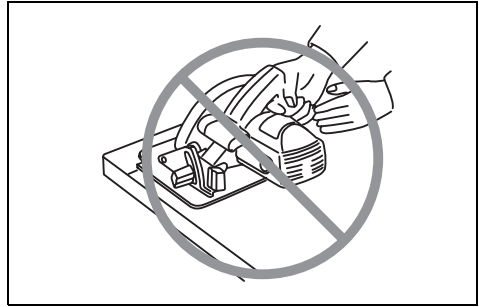
1



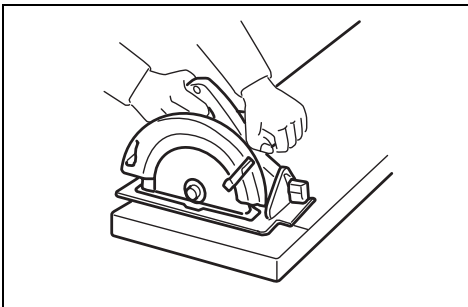
2



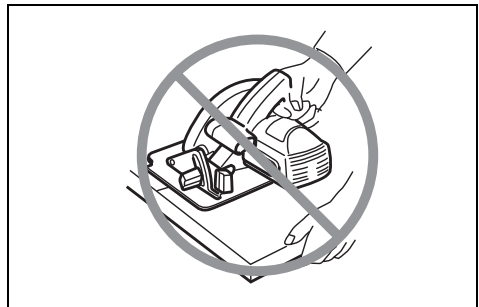
3



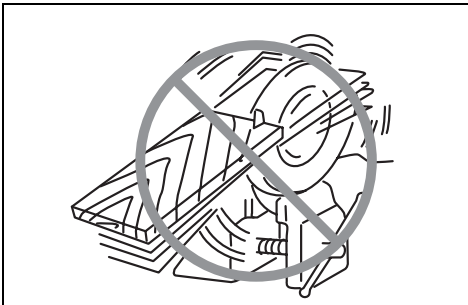
4



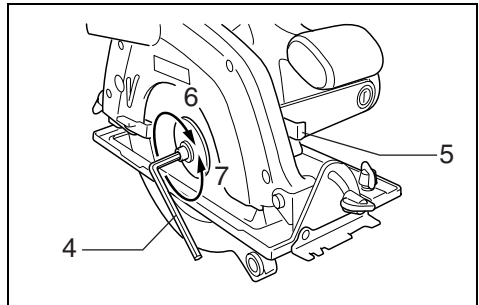
5



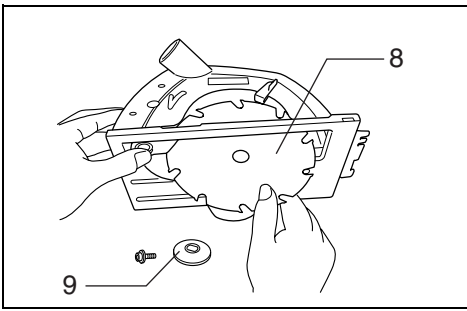
6



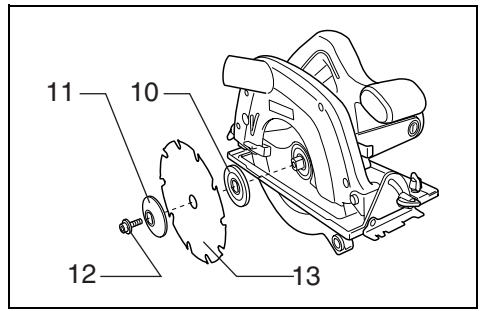
7



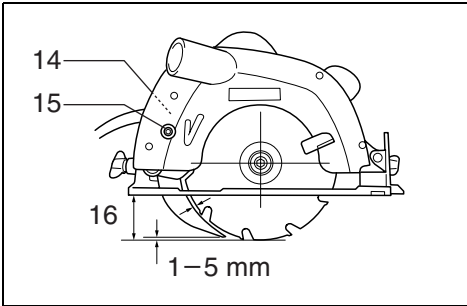
8



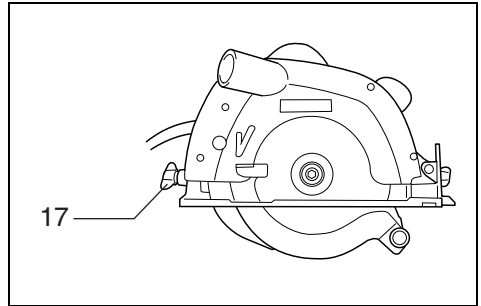
9



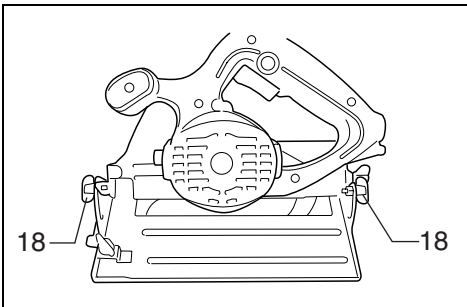
10



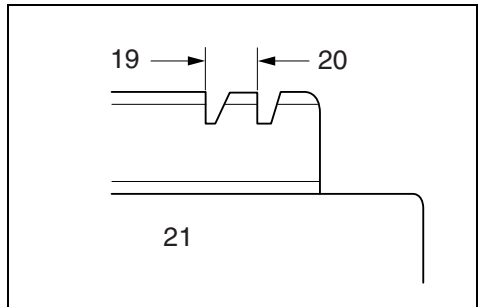
11



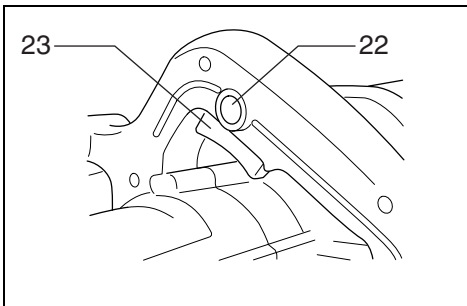
12



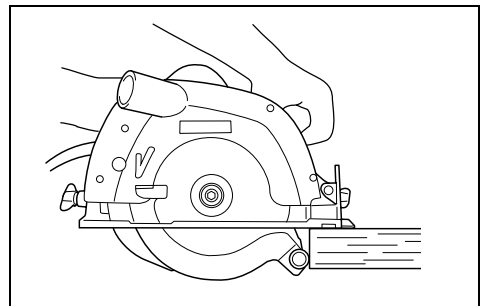
13



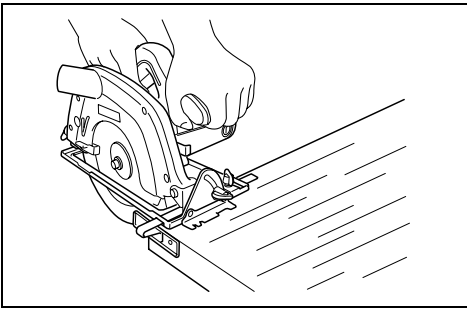
14



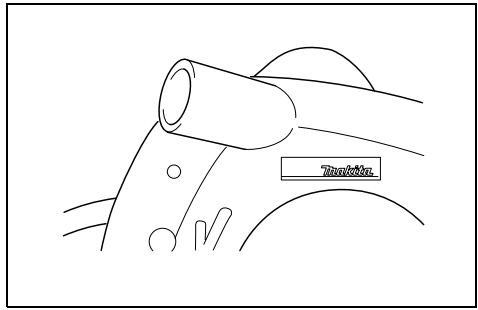
15



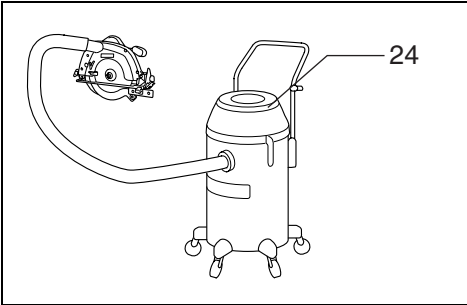
16



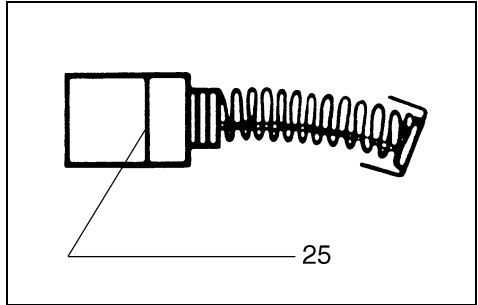
17



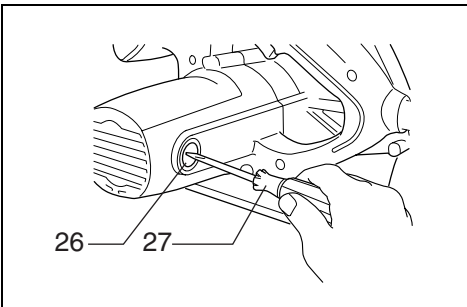
18



19



20



21

Explanation of general view

1	A typical illustration of proper hand support, workpiece support, and supply cord routing (if applicable).	7	Loosen	17	Thumb nut
2	To avoid kickback, do support board or panel near the cut.	8	Saw blade	18	Thumb nut
3	Don't support board or panel away from the cut.	9	Outer flange	19	For 45° bevel cuts
4	Hex wrench	10	Inner flange	20	For straight cuts
5	Shaft lock	11	Outer flange	21	Base plate
6	Tighten	12	Hex socket head bolt	22	Lock-off button
		13	Saw blade	23	Switch trigger
		14	Setting protuberances	24	Vacuum cleaner
		15	Hex socket head bolt (For adjusting riving knife)	25	Limit mark
		16	Cutting depth	26	Brush holder cap
				27	Screwdriver

SPECIFICATIONS

Model	5604R
Blade diameter	165 mm
Max. cutting depth	
At 90°	54 mm
At 45°	35 mm
No load speed (min ⁻¹)	5,000
Overall length	320 mm
Net weight	3.6 kg

- Due to our continuing program of research and development, the specifications herein are subject to change without notice.
- Note: Specifications may differ from country to country.

Intended use

The tool is intended for performing lengthways and crossways straight cuts and miter cuts with angles to 45° in wood while in firm contact with the workpiece.

Power supply

The tool should be connected only to a power supply of the same voltage as indicated on the nameplate, and can only be operated on single-phase AC supply. They are double-insulated in accordance with European Standard and can, therefore, also be used from sockets without earth wire.

Safety hints

For your own safety, please refer to the enclosed safety instructions.

SPECIFIC SAFETY RULES

GEB029-1

DO NOT let comfort or familiarity with product (gained from repeated use) replace strict adherence to circular saw safety rules. If you use this tool unsafely or incorrectly, you can suffer serious personal injury.

Danger:

1. **Keep hands away from cutting area and the blade. Keep your second hand on auxiliary handle, or motor housing.** If both hands are holding the saw, they cannot be cut by the blade.
2. **Do not reach underneath the workpiece.** The guard cannot protect you from the blade below the workpiece. Do not attempt to remove cut material when blade is moving.
CAUTION: Blades coast after turn off. Wait until blade stops before grasping cut material.

3. **Adjust the cutting depth to the thickness of the workpiece.** Less than a full tooth of the blade teeth should be visible below the workpiece.
4. **Never hold piece being cut in your hands or across your leg. Secure the workpiece to stable platform.** It is important to support the work properly to minimize body exposure, blade binding, or loss of control. (Fig. 1)
5. **Hold power tool by insulated gripping surfaces when performing an operation where the cutting tool may contact hidden wiring or its own cord.** Contact with a "live" wire will also make exposed metal parts of the power tool "live" and shock the operator.
6. **When ripping always use a rip fence or straight edge guide.** This improves the accuracy cut and reduces the chance of blade binding.
7. **Always use blades with correct size and shape (diamond versus round) of arbour holes.** Blades that do not match the mounting hardware of the saw will run eccentrically, causing loss of control.
8. **Never use damaged or incorrect blade washers or bolt.** The blade washers and bolt were specially designed for your saw, for optimum performance and safety of operation.
9. **Causes and Operator Prevention of Kickback:**

- kickback is a sudden reaction to a pinched, bound or misaligned saw blade, causing an uncontrolled saw to lift up and out of the workpiece toward the operator;
- when the blade is pinched or bound tightly by the kerf closing down, the blade stalls and the motor reaction drives the unit rapidly back toward the operator;
- if the blade becomes twisted or misaligned in the cut, the teeth at the back edge of the blade can dig into the top surface of the wood causing the blade to climb out of the kerf and jump back toward the operator.

Kickback is the result of saw misuse and/or incorrect operating procedures or conditions and can be avoided by taking proper precautions as given below.

- **Maintain a firm grip with both hands on the saw and position your arms to resist kickback forces. Position your body to either side of the blade, but not in line with the blade.** Kickback could cause the saw to jump backwards, but kickback forces can be controlled by the operator, if proper precautions are taken.

- **When blade is binding, or when interrupting a cut for any reason, release the trigger and hold the saw motionless in the material until the blade comes to a complete stop. Never attempt to remove the saw from the work or pull the saw backward while the blade is in motion or kickback may occur.** Investigate and take corrective actions to eliminate the cause of blade binding.
 - **When restarting a saw in the workpiece, centre the saw blade in the kerf and check that saw teeth are not engaged into the material.** If saw blade is binding, it may walk up or kickback from the workpiece as the saw is restarted.
 - **Support large panels to minimise the risk of blade pinching and kickback.** Large panels tend to sag under their own weight. Supports must be placed under the panel on both sides, near the line of cut and near the edge of the panel.
 - To minimize the risk of blade pinching and kickback. When cutting operation requires the resting of the saw on the workpiece, the saw should be rested on the larger portion and the smaller piece cut off. (Fig. 2 & 3)
 - **Do not use dull or damaged blades.** Unsharpened or improperly set blades produce narrow kerf causing excessive friction, blade binding and kickback. Keep blade sharp and clean. Gum and wood pitch hardened on blades slows saw and increases potential for kickback. Keep blade clean by first removing it from tool, then cleaning it with gum and pitch remover, hot water or kerosene. Never use gasoline.
 - **Blade depth and bevel adjusting locking levers must be tight and secure before making cut.** If blade adjustment shifts while cutting, it may cause binding and kickback.
 - **Use extra caution when making a “plunge cut” into existing walls or other blind areas.** The protruding blade may cut objects that can cause kickback. For plunge cuts, retract lower guard using retracting handle.
 - **ALWAYS hold the tool firmly with both hands. NEVER place your hand or fingers behind the saw.** If kickback occurs, the saw could easily jump backwards over your hand, leading to serious personal injury. (Fig. 4)
 - **Never force the saw. Forcing the saw can cause uneven cuts, loss of accuracy, and possible kickback.** Push the saw forward at a speed so that the blade cuts without slowing.
10. **Check lower guard for proper closing before each use. Do not operate the saw if lower guard does not move freely and close instantly. Never clamp or tie the lower guard into the open position.** If saw is accidentally dropped, lower guard may be bent. Raise the lower guard with the retracting handle and make sure it moves freely and does not touch the blade or any other part, in all angles and depths of cut. To check lower guard, open lower guard by hand, then release and watch guard closure. Also check to see that retracting handle does not touch tool housing. Leaving blade exposed is VERY DANGEROUS and can lead to serious personal injury.
 11. **Check the operation of the lower guard spring. If the guard and the spring are not operating properly, they must be serviced before use.** Lower guard may operate sluggishly due to damaged parts, gummy deposits, or a build-up of debris.
 12. **Lower guard should be retracted manually only for special cuts such as “plunge cuts” and “compound cuts.” Raise lower guard by retracting handle and as soon as blade enters the material, the lower guard must be released.** For all other sawing, the lower guard should operate automatically.
 13. **Always observe that the lower guard is covering the blade before placing saw down on bench or floor.** An unprotected, coasting blade will cause the saw to walk backwards, cutting whatever is in its path. Be aware of the time it takes for the blade to stop after switch is released. Before setting the tool down after completing a cut, be sure that the lower guard has closed and the blade has come to a complete stop.
 14. **Use the appropriate riving knife for the blade being used.** For the riving knife to work, it must be thicker than the body of the blade but thinner than the tooth set of the blade.
 15. **Adjust the riving knife as described in this instruction manual.** Incorrect spacing, positioning and alignment can make the riving knife ineffective in preventing kickback.
 16. **Always use the riving knife except when plunge cutting.** Riving knife must be replaced after plunge cutting. Riving knife causes interference during plunge cutting and can create kickback.
 17. **For the riving knife to work, it must be engaged in the workpiece.** The riving knife is ineffective in preventing kickback during short cuts.
 18. **Do not operate the saw if riving knife is bent.** Even a light interference can slow the closing rate of a guard.
 19. **Use extra caution when cutting damp wood, pressure treated lumber, or wood containing knots.** Adjust speed of cut to maintain smooth advancement of tool without decrease in blade speed.
 20. **Avoid Cutting Nails. Inspect for and remove all nails from lumber before cutting.**
 21. **Place the wider portion of the saw base on that part of the workpiece which is solidly supported, not on the section that will fall off when the cut is made. As examples, Fig. 5 illustrates the RIGHT way to cut off the end of a board, and Fig. 6 the WRONG way. If the workpiece is short or small, clamp it down. DO NOT TRY TO HOLD SHORT PIECES BY HAND! (Fig. 5 & 6)**
 22. **Never attempt to saw with the circular saw held upside down in a vise. This is extremely dangerous and can lead to serious accidents. (Fig. 7)**
 23. **Some material contains chemicals which may be toxic. Take caution to prevent dust inhalation and skin contact. Follow material supplier safety data.**
 24. **Do not stop the blades by lateral pressure on the saw blade.**
 25. **Always use blades recommended in this manual. Do not use any abrasive wheels.**

26. Wear a dust mask and hearing protection when use the tool.

SAVE THESE INSTRUCTIONS.

WARNING:

MISUSE or failure to follow the safety rules stated in this instruction manual may cause serious personal injury.

OPERATING INSTRUCTIONS

Removing or installing saw blade

The following blade can be used with this tool.

Max. dia.	Min. dia.	Blade thickness	Kerf
165 mm	150 mm	1.6 mm or less	1.9 mm or more

The thickness of the riving knife is 1.8 mm.

CAUTION:

- Do not use saw blades which do not comply with the characteristics specified in these instructions.
- Do not use saw blades the disc of which is thicker or the set of which is smaller than the thickness of the riving knife.

To remove the saw blade, depress the shaft lock to prevent shaft rotation, then use the hex wrench to loosen the hex socket head bolt. **(Fig. 8)**

Now remove the outer flange, raise the safety cover as much as possible, and remove the saw blade. **(Fig. 9)**

Install the saw blade using the reverse of the removal procedure. Install the inner flange, saw blade, outer flange and hex socket head bolt, in that order. Be sure to secure the hex socket head bolt tightly. **(Fig. 10)**

CAUTION:

- Make sure that the blade teeth point forward in the same direction as the tool rotation (the arrow on the blade should point in the same direction as the arrow on the tool).
- Use only the Makita socket wrench to remove or install the blade.

Riving knife adjustment (Fig. 11)

Use the socket wrench to loosen the hex head socket bolt for the riving knife adjustment, then raise the safety cover. Move the riving knife up or down over the two protruberances for settings indicated in the illustration, so as to obtain the proper clearance between the riving knife and saw blade.

CAUTION:

Ensure that the riving knife is adjusted such that:

The distance between the riving knife and the toothed rim of the saw blade is not more than 5 mm. The toothed rim does not extend more than 5 mm beyond the lower edge of the riving knife.

Adjusting depth of cut (Fig. 12)

Loosen the thumb nut on the depth guide and move the base up or down. At a desired depth of cut, secure the base by tightening the thumb nut.

CAUTION:

- Use a shallow depth of cut when cutting thin workpiece for cleaner, safer cuts.
- After adjusting the depth of cut, always tighten the thumb nut securely.

Adjusting for bevel cuts (Fig. 13)

Loosen the thumb nuts in front and back, and tilt the tool to the desired angle for bevel cuts ($0^\circ - 45^\circ$). Secure the thumb nuts tightly in front and back after making the adjustment.

Sighting (Fig. 14)

For straight cuts, align the right notch on the front of the base with your cutting line on the workpiece.

For 45° bevel cuts, align the left notch with it.

Switch action (Fig. 15)

To prevent the switch trigger from being accidentally pulled, a lock-off button is provided.

To start the tool, depress the lock-off button and pull the switch trigger. Release the switch trigger to stop.

CAUTION:

Before plugging in the tool, always check to see that the switch trigger actuates properly and returns to the "OFF" position when released.

Operation (Fig. 16)

Hold the tool firmly. Set the base plate on the workpiece to be cut without the blade making any contact. Then turn the tool on and wait until the blade attains full speed. Now simply move the tool forward over the workpiece surface, keeping it flat and advancing smoothly until the sawing is completed. To get clean cuts, keep your sawing line straight and your speed of advance uniform.

CAUTION:

- The riving knife should always be used except when plunging in the middle of the workpiece.
- Do not stop the saw blade by lateral pressure on the disc.

Guide rule (Fig. 17)

The handy guide rule allows you to do extra-accurate straight cuts. Simply slide the guide rule up snugly against the side of the workpiece and secure it in position with the bolt on the front of the base. It also makes repeated cuts of uniform width possible.

Joint assembly (Fig. 18 & 19)

(for connecting a vacuum cleaner)

When you wish to perform clean cutting operation, connect a vacuum cleaner to your tool. Then connect a hose of vacuum cleaner to the joint.

MAINTENANCE

CAUTION:

Always be sure that the tool is switched off and unplugged before carrying out any work on the tool.

Replacement of carbon brushes (Fig. 20 & 21)

Replace carbon brushes when they are worn down to the limit mark. Both identical carbon brushes should be replaced at the same time.

To maintain product safety and reliability, repairs, maintenance or adjustment should be carried out by a Makita Authorized Service Center.

ACCESSORIES

CAUTION:

These accessories or attachments are recommended for use with your Makita tool specified in this manual. The use of any other accessories or attachments might present a risk of injury to persons. Only use accessory or attachment for its stated purpose.

If you need any assistance for more details regarding these accessories, ask your local Makita service center.

- Guide rule
- Hex wrench
- Carbide-tipped saw blade

Faster, smoother, longer sawing without blade sharpening.

Cuts wood, drywall, plastics, hard wood, etc.

Diameter	Hole diameter
190mm	20mm or 30mm

Descriptif

1	Illustration typique de la bonne façon de tenir l'outil, de soutenir la pièce et de placer le cordon d'alimentation (si applicable).	5	Blocage de l'arbre	16	Profondeur de coupe
2	Pour éviter les chocs en retour, soutenez planches ou panneaux près de la ligne de coupe.	6	Serrer	17	Ecrou à oreilles
3	Ne soutenez pas planches ou panneaux trop loin de la ligne de coupe.	7	Desserrer	18	Ecrou à oreilles
4	Clé hexagonale	8	Lame de scie	19	Pour coupe oblique à 45°
		9	Flasque extérieure	20	Pour coupe droite
		10	Flasque intérieure	21	Semelle
		11	Flasque extérieure	22	Bouton de sécurité
		12	Boulon à tête hexagonale	23	Gâchette
		13	Lame de scie	24	Aspirateur
		14	Saillies de réglage	25	Repère d'usure
		15	Boulon à tête hexagonale (pour le réglage du couteau diviseur)	26	Bouchon du porte-charbon
				27	Tournevis

SPECIFICATIONS

Modèle	5604R
Diamètre de lame	165 mm
Profondeur maximum de coupe	
90°	54 mm
45°	35 mm
Vitesse à vide (1/mn.)	5 000
Longueur totale	320 mm
Poids net	3,6 kg

- Etant donné l'évolution constante de notre programme de recherche et de développement, les spécifications contenues dans ce manuel sont sujettes à modification sans préavis.
- Note : Les spécifications peuvent varier suivant les pays.

Utilisations

L'outil est conçu pour couper le bois de manière rectiligne en longueur et en largeur, ainsi que de manière oblique à 45°, en restant fermement en contact avec la pièce à travailler.

Alimentation

L'outil ne devra être raccordé qu'à une alimentation de la même tension que celle qui figure sur la plaque signalétique, et il ne pourra fonctionner que sur un courant secteur monophasé. Réalisé avec une double isolation, il est conforme à la réglementation européenne et peut de ce fait être alimenté sans mise à la terre.

Consignes de sécurité

Pour votre propre sécurité, reportez-vous aux consignes de sécurité qui accompagnent l'outil.

CONSIGNES DE SÉCURITÉ SPÉCIFIQUES

NE vous laissez PAS tromper (au fil d'une utilisation répétée) par un sentiment d'aisance et de familiarité avec le produit, en négligeant le respect rigoureux des consignes de sécurité qui accompagnent la scie circulaire. Si vous n'utilisez pas cet outil électrique de façon sûre et adéquate, vous courez un risque de blessure grave.

Danger :

1. **Gardez vos mains à l'écart de la zone de coupe et de la lame. Laissez votre deuxième main sur la poignée auxiliaire ou le carter du moteur.** Vous ne risquez pas de vous couper les mains si vous les utilisez toutes les deux pour tenir la scie.
2. **Ne placez aucune partie de votre corps sous la pièce à travailler.** Le protecteur ne peut pas vous protéger contre la lame sous la pièce à travailler. N'essayez pas de retirer le matériau coupé pendant que la lame tourne.
ATTENTION : La lame continue de tourner même une fois le contact coupé. Attendez l'arrêt total de la lame avant de saisir le bout de matériau coupé.
3. **Réglez la profondeur de coupe suivant l'épaisseur de la pièce à travailler.** La partie de la lame visible sous la pièce à travailler doit être moindre qu'une dent de lame complète.
4. **Ne tenez jamais la pièce avec les mains ou contre la jambe. Immobilisez la pièce contre une surface stable.** Il est important que la pièce soit soutenue correctement pour minimiser l'exposition du corps, les pincements de lame et les pertes de maîtrise. (Fig. 1)
5. **Tenez les outils électriques par les surfaces de saisie isolées lors d'une opération au cours de laquelle l'outil coupant peut entrer en contact avec un fil caché ou avec son propre cordon d'alimentation.** Le contact avec un fil sous tension mettra également les parties métalliques exposées de l'outil électrique sous tension et causera un choc électrique chez l'utilisateur.
6. **Lors du sciage en long utilisez toujours un garde parallèle ou un guide de coupe rectiligne.** La coupe sera plus précise et cela réduira les risques de pincement de la lame.

7. **Utilisez toujours des lames dont l'orifice central est de taille et de forme (diamantée ou circulaire) appropriée.** Si la lame utilisée n'est pas conçue pour la scie, elle tournera de manière excentrique et vous perdrez la maîtrise de l'outil.
8. **N'utilisez jamais de rondelles ou boulons endommagés ou inadéquats.** Les rondelles et le boulon de la lame ont été conçus exclusivement pour votre scie, afin d'assurer une performance optimale et une utilisation sûre.
9. **Les causes de choc en retour et les mesures préventives :**

- le choc en retour est une réaction soudaine de l'outil lorsque la lame est coincée, pincée ou désalignée, et la scie, hors de contrôle, se soulève alors et quitte la pièce en se dirigeant vers l'utilisateur ;
- lorsque la lame se coince ou est pincée par le trait de scie qui se referme sur elle, la lame se bloque et la réaction du moteur entraîne la projection de l'outil à grande vitesse vers l'utilisateur ;
- si la lame se tord ou se désaligne par rapport à la ligne de coupe, les dents arrière risquent de s'enfoncer dans la surface du bois et la lame de quitter le trait de scie en reculant brusquement vers l'utilisateur.

Le choc en retour est le résultat d'une utilisation inadéquate de la scie et/ou de procédures ou conditions d'utilisation incorrectes ; on peut l'éviter en prenant des précautions adéquates, indiquées ci-dessous.

- **Maintenez une poigne ferme à deux mains sur la scie, et placez vos bras de sorte qu'ils puissent résister à la force du choc en retour. Placez-vous d'un côté ou de l'autre de la lame, jamais dans sa ligne de coupe.** Le choc en retour peut faire bondir la scie vers l'arrière, mais l'utilisateur pourra alors maîtriser la force du choc en retour s'il prend les précautions nécessaires.
- **Si la lame se pince ou si vous interrompez la coupe pour une raison quelconque, libérez la gâchette et maintenez la scie immobile dans le matériau jusqu'à l'arrêt complet de la lame. N'essayez jamais de retirer la scie de la pièce ou de la faire reculer alors que la lame tourne encore, autrement il y a risque de choc en retour.** Identifiez la cause du pincement de la lame et prenez les mesures correctives pour éliminer ladite cause.
- **Avant de redémarrer la scie dans la pièce, centrez la lame dans le trait de scie et assurez-vous que les dents ne pénètrent pas dans le matériau.** Si la lame se pince au moment du redémarrage de l'outil, elle risque de remonter jusqu'à l'utilisateur ou de causer un choc en retour.
- **Placez un dispositif de soutien sous les grands panneaux pour réduire les risques de pincement et de choc en retour.** Les panneaux de grande dimension ont tendance à s'affaisser sous leur propre poids. Des dispositifs de soutien doivent être installés sous le panneau, de chaque côté, près de la ligne de coupe et près des bords du panneau.

- Pour réduire les risques de pincement de la lame et de choc en retour. Lorsque la scie doit reposer contre la pièce pendant la coupe, il faut la placer du côté le plus large de la pièce de sorte que la plus petite partie de la pièce se détache lors de la coupe. (Fig. 2 et 3)
 - **N'utilisez pas des lames émoussées ou endommagées.** Les lames mal affûtées ou mal posées produisent un trait de scie étroit, entraînant une friction excessive, le pincement de la lame et un choc en retour. Maintenez la lame bien affûtée et propre. Les dépôts de colle et les copeaux de bois qui durcissent contre la lame ralentissent la scie et entraînent une augmentation des risques de choc en retour. Pour nettoyer la lame, retirez-la d'abord de l'outil, puis nettoyez-la avec un décapant, de l'eau chaude ou du kérosène. N'utilisez jamais d'essence.
 - **Les leviers de verrouillage de la profondeur de coupe et du réglage de coupe en biseau doivent être serrés de manière ferme et sûre avant de procéder à la coupe.** Il y a un risque de pincement et de choc en retour si les réglages de la lame changent pendant la coupe.
 - **Soyez extrêmement prudent lorsque vous effectuez une coupe en plongée dans un mur ou toute autre surface derrière laquelle peuvent se trouver des objets non visibles.** La lame, après avoir traversé la surface, peut entrer en contact avec ces objets et causer un choc en retour. Pour effectuer les coupes en plongée, rétractez le carter de protection inférieur à l'aide de la poignée rétractable.
 - **Tenez TOUJOURS l'outil fermement à deux mains. Ne posez JAMAIS une main ou des doigts derrière la lame.** En cas de choc en retour, l'outil pourrait facilement bondir vers l'arrière et passer sur votre main, vous infligeant une blessure grave. (Fig. 4)
 - **Ne forcez jamais la scie. Le fait de forcer la scie peut résulter en des coupes inégales, une perte de précision et un choc en retour.** Faites avancer la scie à une vitesse permettant à la lame de tourner sans perte de vitesse.
10. **Avant chaque utilisation, assurez-vous que le carter de protection inférieur ferme bien. N'utilisez pas la scie si le carter de protection inférieur ne se déplace pas librement et ne se referme pas immédiatement. Évitez d'immobiliser ou fixer le carter de protection inférieur en position ouverte.** Le carter de protection inférieur risque de plier si vous échappez la scie par accident. Soulevez le carter de protection inférieur à l'aide de la poignée rétractable et assurez-vous qu'il se déplace librement sans entrer en contact avec la lame ou toute autre partie de la scie, et ce quel que soit l'angle ou la profondeur de coupe. Pour vérifier que le carter de protection inférieur se referme bien, ouvrez-le manuellement et relâchez-le. Assurez-vous également que la poignée rétractable ne touche pas le carter de l'outil. Une lame exposée est TRÈS DANGEREUSE et peut causer de graves blessures.

11. **Vérifiez le fonctionnement du ressort du carter de protection inférieur. Le carter de protection et le ressort doivent être réparés avant l'utilisation s'ils ne fonctionnent pas correctement.** Le fonctionnement du carter de protection inférieur peut être ralenti par des pièces endommagées, des dépôts gluants ou l'accumulation de débris.
12. **Le carter de protection inférieur ne doit être rétracté manuellement que lors des coupes spéciales, comme par exemple les "coupes en plongée" et les "coupes composées".** Soulevez le carter de protection inférieur à l'aide de la poignée rétractable et libérez-le dès que la lame entre en contact avec le matériau. Pour tout autre type de coupe, il faut laisser le carter de protection inférieur fonctionner automatiquement.
13. **Assurez-vous toujours que le carter de protection inférieur recouvre la lame avant de poser la scie sur l'établi ou le plancher.** La scie risque de se déplacer vers l'arrière en coupant tout ce qui se trouve sur sa trajectoire si la lame n'est pas recouverte du protecteur et tourne encore. N'oubliez pas qu'il faut un certain temps avant que la lame ne s'arrête une fois la gâchette libérée. Avant de déposer l'outil une fois la coupe terminée, assurez-vous que le carter de protection inférieur est fermé et que la lame est parfaitement immobile.
14. **Utilisez le couteau diviseur qui convient à la lame utilisée.** Le couteau diviseur ne fonctionnera que s'il est plus épais que le corps de la lame mais plus mince que les dents de la lame.
15. **Réglez le couteau diviseur de la façon décrite dans ce manuel d'instructions.** Un espacement, positionnement ou alignement incorrect peut empêcher le couteau diviseur d'éviter les chocs en retour.
16. **Utilisez toujours le couteau diviseur, sauf lors des coupes en plongée.** Vous devez remettre le couteau diviseur en place après une coupe en plongée. Le couteau diviseur nuit au travail de coupe en plongée et peut provoquer un choc en retour.
17. **Pour fonctionner, le couteau diviseur doit être engagé dans la pièce.** Le couteau diviseur ne peut pas prévenir les chocs en retour lors des coupes courtes.
18. **N'utilisez pas la scie si le couteau diviseur est plié.** Même un léger obstacle peut ralentir la vitesse de fermeture du carter.
19. **Soyez encore plus prudent pour couper du bois mouillé, du bois traité sous pression ou du bois qui contient des nœuds.** Réglez la vitesse de coupe de sorte que l'outil progresse sans à-coups et que la lame tourne à vitesse constante.
20. **Prenez garde aux clous pendant la coupe. Avant de couper dans le bois de construction, inspectez-le et retirez-en tous les clous.**
21. **Placez la partie la plus grande du socle de la scie sur la partie de la pièce qui est solidement soutenue, non sur celle qui tombera une fois la coupe terminée.** À titre d'exemples, la Fig. 5 illustre la **BONNE** façon de couper l'extrémité d'une planche, tandis que la Fig. 6 illustre la **MAUVAISE** façon. Si la pièce est courte ou petite, placez-la dans un dispositif de serrage. **N'ESSAYEZ PAS DE TENIR LES COURTES PIÈCES UNIQUEMENT AVEC LA MAIN !** (Fig. 5 et 6)
22. **N'essayez jamais de scier en plaçant la scie circulaire à l'envers dans un étau.** Cela est très dangereux et peut entraîner un accident grave. (Fig. 7)
23. **Certains matériaux contiennent des substances chimiques qui peuvent être toxiques. Prenez les précautions nécessaires pour ne pas inhaler les poussières qu'ils dégagent et pour éviter tout contact avec la peau. Conformez-vous aux consignes de sécurité du fabricant du matériau.**
24. **N'appliquez jamais de pression latérale sur la lame pour l'arrêter.**
25. **Utilisez toujours les lames recommandées dans ce manuel. N'utilisez pas de disques abrasifs.**
26. **Portez un masque antipoussières et des protections d'oreilles lorsque vous utilisez l'outil.**

CONSERVEZ CES INSTRUCTIONS.

AVERTISSEMENT :

La MAUVAISE UTILISATION de l'outil ou l'ignorance des consignes de sécurité indiquées dans ce manuel d'instructions peut entraîner une blessure grave.

MODE D'EMPLOI

Pose et dépose de la lame

Avec cet outil, vous pouvez utiliser les lames suivantes :

Dia. max.	Dia. min.	Épaisseur	Trait de scie
165 mm	150 mm	1.6 mm ou moins	1.9 mm ou plus

L'épaisseur du couteau diviseur est de 1,8 mm.

ATTENTION :

- Ne vous servez pas de lames dont les caractéristiques ne correspondent pas à celles spécifiées sur cette notice.
- Ne vous servez pas de lames dont le disque est plus épais ou dont le jeu est plus petit que l'épaisseur du couteau diviseur.

Pour retirer la lame, appuyez sur le blocage d'arbre de façon que la lame ne puisse plus tourner, et desserrez le boulon à tête hexagonale vers la gauche à l'aide de la clé hexagonale. (Fig. 8)

Ensuite, retirez la flasque extérieure, relevez le carter au maximum, puis retirez la lame. (Fig. 9)

Installez la lame en procédant dans l'ordre inverse du retrait. Installez la flasque intérieure, la lame, la flasque extérieure puis le boulon à tête hexagonale, dans cet ordre. Veillez à ce que le boulon à tête hexagonale soit bien serré à fond. (Fig. 10)

ATTENTION:

- Assurez-vous que les dents de la lame pointent dans la même direction que le sens de rotation de l'outil. (La flèche que porte la lame doit pointer dans la même direction que celle de l'outil).
- Ne vous servez que d'une clé à douille Makita pour retirer ou installer la lame.

Réglage du couteau diviseur (Fig. 11)

Pour régler le couteau diviseur, desserrez le boulon à tête hexagonale à l'aide de la clé à douille, puis relevez le carter de sécurité. Déplacez le couteau diviseur vers le haut ou vers le bas sur les deux saillies pour obtenir les réglages indiqués sur le schéma, de façon à obtenir l'écart approprié entre le couteau diviseur et la lame de scie.

ATTENTION :

Assurez-vous que le couteau diviseur est réglé de façon que : La distance entre le couteau diviseur et le rebord denté de la lame ne dépasse pas 5 mm. Le rebord denté de la lame ne dépasse pas de plus de 5 mm du bord inférieur du couteau diviseur.

Réglage de la profondeur de coupe (Fig. 12)

Desserrez l'écrou à oreilles du guide de profondeur et déplacez la table vers le haut ou vers le bas. A la profondeur de coupe voulue, fixez la table en serrant l'écrou à oreilles.

ATTENTION :

- Utilisez une faible profondeur de coupe avec des matériaux minces, pour obtenir une coupe plus nette et travailler en toute sécurité.
- Après avoir réglé la profondeur de coupe, resserrez l'écrou à oreilles à fond.

Coupe en biais (Fig. 13)

Desserrez les écrous à oreilles à l'avant et à l'arrière, puis inclinez l'outil à l'angle voulu pour des coupes en biais (0 – 45°). Lorsque le réglage est terminé, serrez les écrous à oreilles à fond à l'avant et à l'arrière.

Visée (Fig. 14)

Pour des coupes rectilignes, alignez l'encoche droite à l'avant de la table sur la ligne de coupe de la pièce. Pour des coupes en biais à 45°, alignez la ligne de coupe sur l'encoche gauche.

Interrupteur (Fig. 15)

Pour éviter que la gâchette ne se déclenche accidentellement, l'outil possède un bouton de sécurité. Pour mettre l'outil en marche, appuyez sur le bouton de sécurité et tirez sur la gâchette. Pour arrêter l'outil, relâchez la gâchette.

ATTENTION:

Avant de brancher l'outil, assurez-vous toujours que la gâchette fonctionne correctement et revient en position "OFF" une fois relâchée.

Opération (Fig. 16)

Tenez l'outil fermement. Placez la table sur le bois à couper sans que la lame soit en contact. Puis, mettez l'outil en marche et attendez que la lame ait atteint sa vitesse de régime. Déplacez alors simplement l'outil vers l'avant sur la surface de la pièce, en la maintenant bien à plat et en avançant doucement jusqu'à la fin du sciage. Pour obtenir des coupes nettes, gardez bien droite votre ligne de sciage et bien régulière votre vitesse de progression.

ATTENTION :

- Le couteau diviseur devra toujours être utilisé, sauf lorsque vous attaquez une pièce par le milieu.
- N'arrêtez pas la lame de scie en exerçant une pression latérale dessus.

Guide parallèle (Fig. 17)

Un guide parallèle, très commode, vous permet de réaliser des coupes droites d'une parfaite précision. Glissez simplement ce guide contre le côté de la pièce à scier et assurez-la en position à l'aide de la vis papillon située sur l'avant de l'embase. Elle vous permet en outre d'exécuter des coupes répétées pour une largeur uniforme.

Raccord d'aspiration (Fig. 18 et 19)

(pour le raccordement d'un aspirateur)

Pour effectuer un sciage propre, raccordez un aspirateur à l'outil. Puis, raccordez le tuyau de l'aspirateur au raccord.

ENTRETIEN

ATTENTION:

Avant toute intervention, assurez-vous que le contact est coupé et l'outil débranché.

Remplacement des charbons (Fig. 20 et 21)

Remplacez charbons lorsqu'ils sont usés jusqu'au repère d'usure. Les 2 charbons identiques doivent être remplacés simultanément.

Pour votre sécurité et la fiabilité du produit, les réparations, la maintenance de cet appareil doit être confiée à un Centre d'Entretien MAKITA.

ACCESSOIRES

ATTENTION :

Ces accessoires ou pièces complémentaires sont recommandés pour l'utilisation avec l'outil Makita spécifié dans ce mode d'emploi. L'utilisation de tout autre accessoire ou pièce peut comporter un risque de blessure. N'utilisez les accessoires ou pièces qu'aux fins mentionnées dans le présent mode d'emploi.

Si vous désirez obtenir plus de détails concernant ces accessoires, veuillez contacter le centre de service après-vente Makita le plus près.

- Règle guide
- Clé hexagonale
- Lame à bord de carbure
Plus rapide, plus unie pour une coupe de plus longue durée sans affûtage.
Coupe bois, plastique, bois dur etc.

Diamètre	Diamètre de trou
190 mm	20 mm ou 30 mm

Übersicht

1	Typische Abbildung der korrekten Handhaltung, Werkstück-Abstützung und Netzkabel-Zuführung (falls zutreffend).	7	Lösen	18	Flügelmutter
2	Anordnung der Werkstückunterlagen zur Vermeidung von Rückschlag.	8	Sägeblatt	19	Für 45°-Schnitte
3	Werkstück nicht zu weit von der Schnittstelle abstützen.	9	Außenflansch	20	Für gerade Schnitte
4	Inbusschlüssel	10	Innenflansch	21	Gleitschuh
5	Spindelarreterierung	11	Außenflansch	22	Einschaltsperr
6	Anziehen	12	Innensechskantschraube	23	Ein-Aus-Schalter
		13	Sägeblatt	24	Staubsauger
		14	Einstellvorsprünge	25	Verschleißgrenze
		15	Innensechskantschraube (zum Einstellen des Spaltkeils)	26	Bürstenhalterkappe
		16	Schnittiefe	27	Schraubendreher
		17	Flügelmutter		

TECHNISCHE DATEN

Modell	5604R
Sägeblatt ø	165 mm
Max. Schnittiefe	
90°	54 mm
45°	35 mm
Leerlaufdrehzahl	5 000 min ⁻¹
Gesamtlänge	320 mm
Nettogewicht	3,6 kg

- Wir behalten uns vor, Änderungen im Zuge der Entwicklung und des technischen Fortschritts ohne vorherige Ankündigung vorzunehmen.
- Hinweis: Die technischen Daten können von Land zu Land abweichen.

Vorgesehene Verwendung

Das Werkzeug ist für Geradschnitte in Längs- und Quer- richtung sowie für Gehrungsschnitte mit Winkeln bis zu 45° in Holz vorgesehen, wobei es in festem Kontakt mit dem Werkstück bleibt.

Netzanschluß

Die Maschine darf nur an die auf dem Typenschild angegebene Netzspannung angeschlossen werden und arbeitet nur mit Einphasen-Wechselspannung. Sie ist entsprechend den Europäischen Richtlinien doppelt schutzisoliert und kann daher auch an Steckdosen ohne Erdanschluß betrieben werden.

Sicherheitshinweise

Lesen und beachten Sie diese Hinweise, bevor Sie das Gerät benutzen.

SPEZIELLE SICHERHEITSGELTEN

Lassen Sie sich NICHT durch Bequemlichkeit oder Vertrautheit mit dem Produkt (durch wiederholten Gebrauch erworben) von der strikten Einhaltung der Sicherheitsregeln für die Kreissäge abhalten. Wenn Sie dieses Elektrowerkzeug auf unsichere oder unsachgemäße Weise benutzen, können Sie schwere Verletzungen erleiden.

Gefahr:

1. Halten Sie Ihre Hände vom Schnittbereich und dem Sägeblatt fern. Halten Sie mit der zweiten Hand den Zusatzgriff oder das Motorgehäuse. Wenn beide Hände die Säge halten, können sie nicht durch das Sägeblatt verletzt werden.

2. Fassen Sie nicht unter das Werkstück. Die Schutzhaube bietet keinen Schutz auf der Unterseite des Werkstücks. Versuchen Sie nicht, abgeschnittenes Material bei rotierendem Sägeblatt zu entfernen.

VORSICHT: Das Sägeblatt läuft nach dem Ausschalten noch nach. Warten Sie, bis das Sägeblatt zum Stillstand kommt, bevor Sie abgeschnittenes Material wegnehmen.

3. Stellen Sie die Schnittiefe auf die Dicke des Werkstücks ein. Das Sägeblatt darf nicht mehr als eine Zahnlänge auf der Unterseite überstehen.
4. Halten Sie das zu schneidende Werkstück niemals in Ihren Händen oder auf den Beinen. Sichern Sie das Werkstück auf einer stabilen Plattform. Es ist wichtig, das Werkstück sachgemäß abzustützen, um Körperaussetzung, Klemmen des Sägeblatts oder Verlust der Kontrolle auf ein Minimum zu reduzieren. (Abb. 1)
5. Halten Sie das Elektrowerkzeug nur an den isolierten Griffflächen, wenn Sie Arbeiten ausführen, bei denen die Gefahr besteht, dass verborgene Kabel oder das eigene Kabel kontaktiert werden. Bei Kontakt mit einem Strom führenden Kabel werden die freiliegenden Metallteile des Elektrowerkzeugs ebenfalls Strom führend, so dass der Benutzer einen elektrischen Schlag erleiden kann.
6. Verwenden Sie beim Längssägen stets einen Parallelanschlag oder ein Richtlineal. Dadurch wird die Schnittgenauigkeit verbessert und die Gefahr von Sägeblatt-Klemmen reduziert.
7. Verwenden Sie stets Sägeblätter, deren Spindelbohrung die korrekte Größe und Form (rautenförmig oder rund) hat. Sägeblätter, die nicht genau auf den Montageflansch der Säge passen, rotieren exzentrisch und verursachen den Verlust der Kontrolle.
8. Verwenden Sie niemals beschädigte oder falsche Sägeblattscheiben oder -schrauben. Die Sägeblattscheiben und -schrauben sind speziell für Ihre Säge vorgesehen, um optimale Leistung und Betriebssicherheit zu gewährleisten.

9. Ursachen und Verhütung von Rückschlägen:

- Ein Rückschlag ist eine plötzliche Reaktion auf ein eingeklemmtes, schleifendes oder falsch ausgerichtetes Sägeblatt, der ein unkontrolliertes Anheben und Herausspringen der Säge aus dem Werkstück in Richtung der Bedienungsperson verursacht.
- Wenn das Sägeblatt durch den sich schließenden Sägeschlitz eingeklemmt oder festgehalten wird, bleibt das Sägeblatt stehen, und die Motorreaktion drückt die Säge plötzlich in Richtung der Bedienungsperson zurück.
- Falls das Sägeblatt im Schnitt verdreht oder versetzt wird, können sich die Zähne an der Hinterkante des Sägeblatts in die Oberfläche des Holzstücks bohren, so dass sich das Sägeblatt aus dem Sägeschlitz heraushebt und in Richtung der Bedienungsperson zurückspringt.

Rückschlag ist das Resultat falscher Handhabung der Säge und/oder falscher Arbeitsverfahren oder Bedingungen und kann durch Anwendung der nachstehenden Vorsichtsmaßnahmen vermieden werden.

- **Halten Sie die Säge mit beiden Händen fest, und positionieren Sie Ihre Arme so, dass sie die Rückschlagkräfte auffangen. Stellen Sie sich so, dass sich Ihr Körper seitlich vom Sägeblatt befindet, nicht auf gleicher Linie mit dem Sägeblatt.** Rückschlag kann Zurückspringen der Säge verursachen; doch wenn geeignete Vorsichtsmaßnahmen getroffen werden, können die Rückschlagkräfte von der Bedienungsperson unter Kontrolle gehalten werden.
- **Falls das Sägeblatt klemmt oder der Schnitt aus irgendeinem Grund unterbrochen wird, lassen Sie den Ein-Aus-Schalter los, und halten Sie die Säge bewegungslos im Werkstück, bis das Sägeblatt zum völligen Stillstand kommt. Versuchen Sie niemals, die Säge bei noch rotierendem Sägeblatt vom Werkstück abzunehmen oder zurückzuziehen, weil es sonst zu einem Rückschlag kommen kann.** Nehmen Sie eine Überprüfung vor, und treffen Sie Abhilfemaßnahmen, um die Ursache von Sägeblatt-Klemmen zu beseitigen.
- **Wenn Sie die Säge bei im Werkstück befindlichem Sägeblatt wieder einschalten, zentrieren Sie das Sägeblatt im Sägeschlitz, und vergewissern Sie sich, dass die Sägezähne nicht mit dem Werkstück im Eingriff sind.** Falls das Sägeblatt klemmt, kann es beim Wiedereinschalten der Säge aus dem Werkstück herausschnellen oder zurückspringen.
- **Stützen Sie große Platten ab, um die Gefahr von Klemmen und Rückschlägen des Sägeblatts auf ein Minimum zu reduzieren.** Große Platten neigen dazu, unter ihrem Eigengewicht durchzuhängen. Die Stützen müssen beidseitig und in der Nähe der Schnittlinie und in der Nähe der Plattenkante unter der Platte platziert werden.
- Um die Gefahr von Klemmen des Sägeblatts und Rückschlag zu minimieren. Wenn die Schneidarbeit das Auflegen der Säge auf dem Werkstück erfordert, sollte die Säge auf den größeren Teil gelegt und das kleinere Stück abgeschnitten werden. (Abb. 2 u. 3)

- **Verwenden Sie keine stumpfen oder beschädigten Sägeblätter.** Unschärfe oder falsch angebrachte Sägeblätter erzeugen einen schmalen Sägeschlitz, der übermäßige Reibung, Sägeblatt-Klemmen und Rückschlag verursacht. Halten Sie das Sägeblatt scharf und sauber. An den Sägeblättern haftendes und verhärtetes Gummi und Harz verlangsamen die Säge und erhöhen die Rückschlaggefahr. Halten Sie das Sägeblatt sauber, indem Sie es vom Werkzeug abmontieren, und dann mit Gummi- und Harzentferner, heißem Wasser oder Petroleum reinigen. Verwenden Sie niemals Benzin.
 - **Die Sägeblatttiefe- und Neigungseinstellungs-Arretierhebel müssen fest angezogen und gesichert sein, bevor der Schnitt ausgeführt wird.** Falls sich die Sägeblatteinstellung während des Sägens verstellt, kann es zu Klemmen und Rückschlag kommen.
 - **Lassen Sie besondere Vorsicht walten, wenn Sie einen "Tauschnitt" in bestehende Wände oder andere Blindflächen durchführen.** Das vorstehende Sägeblatt kann Objekte durchschneiden, die Rückschlag verursachen können. Für Tauschnitte ist die Schutzhaube mit dem Rückzuggriff zurückzuziehen.
 - **Halten Sie das Werkzeug IMMER mit beiden Händen fest. Fassen Sie mit Ihrer Hand oder Ihren Fingern NIEMALS hinter die Säge.** Falls Rückschlag auftritt, besteht die Gefahr, dass die Säge über Ihre Hand zurückspringt und schwere Verletzungen verursacht. (Abb. 4)
 - **Wenden Sie keine Gewalt auf die Säge an. Gewaltanwendung kann ungleichmäßige Schnitte, Verlust der Genauigkeit und möglichen Rückschlag verursachen.** Schieben Sie die Säge mit einer Geschwindigkeit vor, dass das Sägeblatt nicht abgebremst wird.
- ## 10. Überprüfen Sie die Schutzhaube vor jeder Benutzung auf einwandfreies Schließen. Betreiben Sie die Säge nicht, falls sich die Schutzhaube nicht ungehindert bewegt und sofort schließt. Die Schutzhaube darf auf keinen Fall in der geöffneten Stellung festgeklemmt oder festgebunden werden.
- Wird die Säge versehentlich fallen gelassen, kann die Schutzhaube verbogen werden. Heben Sie die Schutzhaube mit dem Rückzuggriff an, und vergewissern Sie sich, dass sie sich ungehindert bewegt und bei allen Winkel- und Schnitttiefe-Einstellungen nicht mit dem Sägeblatt oder irgendeinem anderen Teil in Berührung kommt. Öffnen Sie die Schutzhaube probeweise von Hand, und achten Sie beim Loslassen darauf, dass sie sich einwandfrei schließt. Vergewissern Sie sich auch, dass der Rückzuggriff nicht mit dem Werkzeuggehäuse in Berührung kommt. Die Bloßstellung des Sägeblatts ist SEHR GEFÄHRLICH und kann zu schweren Verletzungen führen.
- ## 11. Überprüfen Sie die Funktion der Schutzhaubenfeder. Falls Schutzhaube und Feder nicht einwandfrei funktionieren, müssen die Teile vor der Benutzung gewartet werden.
- Falls beschädigte Teile, klebrige Ablagerungen oder Schmutzansammlung vorhanden sind, kann die Schutzhaube schwergängig werden.

12. Die Schutzhaube sollte nur für spezielle Schnitte, wie "Tauchschnitte" und "Compound-schnitte", manuell zurückgezogen werden. Heben Sie die Schutzhaube mit dem Rückzuggriff an, und sobald das Sägeblatt in das Werkstück eindringt, muss die Schutzhaube losgelassen werden. Für alle anderen Sägearbeiten sollte die Schutzhaube automatisch betätigt werden.
13. Vergewissern Sie sich stets, dass die Schutzhaube das Sägeblatt verdeckt, bevor Sie die Säge auf der Werkbank oder dem Boden ablegen. Ein ungeschützt auslaufendes Sägeblatt bewirkt Rückwärtskriechen der Säge und schneidet alles, was sich in seinem Weg befindet. Berücksichtigen Sie die Auslaufzeit des Sägeblatts bis zum Stillstand nach dem Loslassen des Ein-Aus-Schalters. Setzen Sie die Maschine nach dem Schneiden erst ab, nachdem sich die Schutzhaube geschlossen hat und das Sägeblatt völlig zum Stillstand gekommen ist.
14. Verwenden Sie einen passenden Spaltkeil für das montierte Sägeblatt. Damit der Spaltkeil seine Wirkung nicht verfehlt, muss er dicker als das Sägeblatt, aber dünner als der Zahnsatz des Sägeblatts sein.
15. Stellen Sie den Spaltkeil gemäß der Beschreibung in dieser Anleitung ein. Falscher Abstand sowie falsche Positionierung und Ausrichtung können die Rückschlagverhütungsfunktion des Spaltkeils unwirksam machen.
16. Der Spaltkeil ist, außer beim Tauchschneiden, immer zu verwenden. Nach dem Tauchschneiden muss der Spaltkeil wieder angebracht werden. Beim Tauchschneiden verursacht der Spaltkeil Berührung und kann Rückschläge erzeugen.
17. Damit der Spaltkeil seine Aufgabe erfüllt, muss er in das Werkstück eingreifen. Bei kurzen Schnitten ist die Rückschlagverhütungsfunktion des Spaltkeils unwirksam.
18. Betreiben Sie die Säge nicht mit verbogenem Spaltkeil. Selbst leichte Berührung kann die Schließgeschwindigkeit der Schutzhaube verlangsamen.
19. Lassen Sie beim Schneiden von feuchtem Holz, druckbehandeltem Bauholz oder Astholz besondere Vorsicht walten. Stellen Sie die Schnittgeschwindigkeit so ein, dass gleichmäßiger Vorschub des Werkzeugs beibehalten wird, ohne dass sich die Sägeblattdrehzahl verringert.
20. Vermeiden Sie das Schneiden von Nägeln. Überprüfen Sie Bauholz vor dem Schneiden auf Nägel, und entfernen Sie etwaige Nägel.
21. Setzen Sie den breiteren Teil der Grundplatte auf den fest abgestützten Teil des Werkstücks, nicht auf den Teil, der nach dem Schnitt herunterfällt. Als Beispiel stellt Abb. 5 dar, wie man das Ende eines Bretts RICHTIG abschneidet, und Abb. 6, wie man es FALSCH macht. Kurze oder kleine Werkstücke müssen eingespannt werden. VER-SUCHEN SIE NICHT, KURZE WERKSTÜCKE MIT DER HAND ZU HALTEN! (Abb. 5 u. 6)
22. Versuchen Sie niemals, die Kreissäge zum Sägen verkehrt herum in einen Schraubstock einzuspannen. Dies ist sehr gefährlich und kann zu schweren Unfällen führen. (Abb. 7)
23. Manche Materialien können giftige Chemikalien enthalten. Treffen Sie Vorsichtsmaßnahmen, um das Einatmen von Arbeitsstaub und Hautkontakt zu verhüten. Befolgen Sie die Sicherheitsdaten des Materialherstellers.
24. Bremsen Sie die Säge nicht durch seitlichen Druck auf das Sägeblatt ab.
25. Verwenden Sie immer die in dieser Anleitung empfohlenen Sägeblätter. Verwenden Sie keine Schleifscheiben.
26. Tragen Sie bei der Benutzung des Werkzeugs eine Staubmaske und einen Gehörschutz.

BEWAHREN SIE DIESE HINWEISE SORGFÄLTIG AUF.

WARNUNG:

MISSBRAUCH oder Missachtung der Sicherheitsvorschriften in dieser Anleitung können schwere Verletzungen verursachen.

BEDIENUNGSHINWEISE

Montage und Demontage des Sägeblatts

Sägeblätter der folgenden Abmessungen können mit dieser Maschine verwendet werden.

Max. Durchm.	Min. Durchm.	Sägeblatt-dicke	Schnittbreite
165 mm	150 mm	max. 1,6 mm	min. 1,9 mm

Die Dicke des Spaltkeils beträgt 1,8 mm.

VORSICHT:

- Sägeblätter, die nicht den hier angegebenen Spezifikationen entsprechen, dürfen nicht verwendet werden.
- Verwenden Sie keine Sägeblätter, deren Dicke größer oder deren Schnittbreite kleiner als die Dicke des Spaltkeils ist.

Zum Demontieren des Sägeblatts blockieren Sie die Spindel durch Drücken der Spindelarreterung und lösen dann die Innensechskantschraube mit dem Inbusschlüssel. (Abb. 8)

Nun den Außenflansch entfernen, die Schutzhaube so weit wie möglich anheben, und das Sägeblatt abnehmen. (Abb. 9)

Zum Montieren des Sägeblatts wenden Sie das Demonteverfahren umgekehrt an. Montieren Sie Innenflansch, Sägeblatt, Außenflansch und Innensechskantschraube in dieser Reihenfolge. Ziehen Sie die Innensechskantschraube fest an. (Abb. 10)

VORSICHT:

- Das neue Sägeblatt so montieren, daß die Zähne nach vorn in Drehrichtung des Sägeblatts zeigen. Der Drehrichtungssinn der Pfeile von Sägeblatt und Maschine muß übereinstimmen.
- Verwenden Sie ausschließlich den Makita-Steckschlüssel, der auf das Drehmoment der Sechskantschraube abgestimmt ist.

Einstellung des Spaltkeils (Abb. 11)

Lösen Sie die Innensechskantschraube zur Einstellung des Spaltkeils mit dem Inbusschlüssel, und heben Sie dann die Schutzhaube an. Bewegen Sie den Spaltkeil über die zwei Vorsprünge nach oben oder unten, wie in der Abbildung gezeigt, um den korrekten Abstand zwischen Spaltkeil und Sägeblatt zu erzielen.

VORSICHT:

Vergewissern Sie sich, daß der Spaltkeil wie folgt eingestellt ist: Der Abstand des Spaltkeils zum Zahnkranz des Sägeblatts darf nicht größer als 5 mm sein. Der Zahnkranz darf nicht mehr als 5 mm über die Unterkante des Spaltkeils überstehen.

Einstellung der Schnitttiefe (Abb. 12)

Lösen Sie die Flügelmutter an der Tiefenführung, und verstellen Sie den Gleitschuh nach oben oder unten. Arretieren Sie den Gleitschuh an der gewünschten Schnitttiefe durch Festziehen der Flügelmutter.

VORSICHT:

- Verwenden Sie eine geringe Schnitttiefe für dünne Werkstücke, um Schnitte von größerer Genauigkeit und Sicherheit auszuführen.
- Ziehen Sie die Flügelmutter nach der Einstellung der Schnitttiefe stets fest an.

Einstellung für Neigungsschnitte (Abb. 13)

Lösen Sie die Flügelmutter an der Vorder- und Rückseite, und neigen Sie die Maschine auf den gewünschten Schnittwinkel (0 – 45°). Ziehen Sie die Flügelmutter an der Vorder- und Rückseite nach der Einstellung wieder fest.

Schnittlinie (Abb. 14)

Für gerade Schnitte richten Sie die rechte Kerbe an der Vorderseite des Gleitschuhs auf die Schnittlinie am Werkstück aus.

Für Neigungsschnitte von 45° richten Sie die linke Kerbe auf die Schnittlinie aus.

Schalterbedienung (Abb. 15)

Um versehentliche Betätigung des Ein-Aus-Schalters zu verhüten, ist die Maschine mit einer Einschaltsperrung ausgestattet.

Zum Starten der Maschine betätigen Sie den Ein-Aus-Schalter bei gedrückter Einschaltsperrung. Zum Anhalten lassen Sie den Ein-Aus-Schalter los.

VORSICHT:

Vor dem Anschließen der Maschine an das Stromnetz stets überprüfen, ob der EIN-/AUS-Schalter ordnungsgemäß funktioniert und beim Loslassen in die AUS-Stellung zurückkehrt.

Betrieb (Abb. 16)

Halten Sie die Maschine mit festem Griff. Setzen Sie den Gleitschuh auf das zu schneidende Werkstück auf, ohne daß das Sägeblatt mit ihm in Berührung kommt. Schalten Sie dann die Maschine ein und warten Sie, bis das Sägeblatt die volle Drehzahl erreicht hat. Schieben Sie nun die Maschine flach und gleichmäßig über die Oberfläche des Werkstücks vor, bis der Schnitt vollendet ist. Um saubere Schnitte zu erzielen, halten Sie eine gerade Schnittlinie und eine gleichmäßige Vorschubgeschwindigkeit ein.

VORSICHT:

- Der Spaltkeil muß, außer bei Tauchschnitten, immer ordnungsgemäß montiert sein.
- Bremsen Sie die Maschine nicht durch seitlichen Druck auf das Sägeblatt ab.

Parallelanschlag (Abb. 17)

Der Parallelanschlag ermöglicht gerade Schnitte entlang einer Bezugskante. Dazu mit der Befestigungsschraube den Parallelanschlag in der gewünschten Einstellung sichern.

Montage des Absaugstutzens (Abb. 18 u. 19)

(zum Anschließen eines Staubsaugers)

Um größere Sauberkeit bei der Arbeit zu erzielen, kann ein Staubsauger an die Maschine angeschlossen werden. Schließen Sie dann den Schlauch eines Staubsaugers an den Absaugstutzen an.

WARTUNG

VORSICHT:

Vor Arbeiten an der Maschine vergewissern Sie sich, daß sich der Schalter in der "AUS-" Position befindet und der Netzstecker gezogen ist.

Kohlebürsten wechseln (Abb. 20 u. 21)

Kohlebürsten ersetzen, wenn sie bis auf die Verschleißgrenze abgenutzt sind. Beide Kohlebürsten nur paarweise ersetzen.

Um die Sicherheit und Zuverlässigkeit dieses Gerätes zu gewährleisten, sollten Reparatur-, Wartungs-, und Einstellarbeiten nur von durch Makita autorisierten Werkstätten oder Kundendienstzentren unter ausschließlicher Verwendung von Makita-Originalersatzteilen ausgeführt werden.

ZUBEHÖR

VORSICHT:

Die folgenden Zubehörteile oder Vorrichtungen werden für den Einsatz mit der in dieser Anleitung beschriebenen Makita-Maschine empfohlen. Die Verwendung anderer Zubehörteile oder Vorrichtungen kann eine Verletzungsgefahr darstellen. Verwenden Sie Zubehörteile oder Vorrichtungen nur für ihren vorgesehenen Zweck.

Wenn Sie weitere Einzelheiten bezüglich dieser Zubehörteile benötigen, wenden Sie sich bitte an Ihre Makita-Kundendienststelle.

- Parallelanschlag
- Innensechskantschlüssel
- HM-Präzisions-Sägeblatt für Schnitte in Weich- und Hartholz
Platten-Materialien roh, Spanwinkel positiv.

Durchmesser	Sägeblattbohrung
190 mm	20 mm oder 30 mm

Visione generale

<p>1 Illustrazione tipica del modo corretto di tenere le mani, di supportare il pezzo, e di orientare il cavo di alimentazione (se possibile).</p> <p>2 Per evitare i contraccolpi è necessario supportare la tavola o pannello vicino al taglio.</p> <p>3 Non supportare la tavola o pannello lontano dal taglio.</p> <p>4 Chiave esagonale</p>	<p>5 Bloccaggio albero</p> <p>6 Per stringere</p> <p>7 Per allentare</p> <p>8 Lama</p> <p>9 Flangia esterna</p> <p>10 Flangia interna</p> <p>11 Flangia esterna</p> <p>12 Bullone con testa esagonale</p> <p>13 Lama</p> <p>14 Sporgenze di regolazione</p> <p>15 Bullone con testa esagonale (per la regolazione del cuneo)</p>	<p>16 Profondità di taglio</p> <p>17 Dado con testa a galletto</p> <p>18 Dado con testa a galletto</p> <p>19 Per tagli a unghia di 45°</p> <p>20 Per tagli diritti</p> <p>21 Piastra base</p> <p>22 Bottone di sblocco</p> <p>23 Interruttore</p> <p>24 Aspiratore</p> <p>25 Segno limite</p> <p>26 Tappo portaspazzole</p> <p>27 Cacciavite</p>
--	--	--

DATI TECNICI

Modello	5604R
Diametro della lama	165 mm
Massima profondità di taglio	
90°	54 mm
45°	35 mm
Velocità a vuoto (g./min.)	5.000
Lunghezza totale	320 mm
Peso netto	3,6 kg

- Per il nostro programma di ricerca e sviluppo continui, i dati tecnici sono soggetti a modifiche senza preavviso.
- Nota: I dati tecnici potrebbero differire a seconda del paese di destinazione del modello.

Utilizzo previsto

Questo utensile serve a eseguire tagli diritti in lunghezza e trasversali, e tagli a quartabuono con angoli di 45° sul legno, mentre è saldamente a contatto con il pezzo.

Alimentazione

L'utensile deve essere collegato ad una presa di corrente con la stessa tensione indicata sulla targhetta del nome, e può funzionare soltanto con la corrente alternata monofase. Esso ha un doppio isolamento in osservanza alle norme europee, per cui può essere usato con le prese di corrente sprovviste della messa a terra.

Consigli per la sicurezza

Per la vostra sicurezza, riferitevi alle accluse istruzioni per la sicurezza.

SPECIFICHE REGOLE DI SICUREZZA

NON lasciare che la comodità o la familiarità con il prodotto (acquisita con l'uso ripetuto) sostituiscano la stretta osservanza delle norme di sicurezza per la sega circolare. Se si usa questo utensile elettrico in modo insicuro o sbagliato, c'è pericolo di seri infortuni.

Pericolo:

1. **Tenere via le mani dall'area di taglio e dalla lama. Tenere l'altra mano sul manico secondario o alloggiamento del motore.** Se si tiene la sega con entrambe le mani, esse non possono essere tagliate dalla lama.
2. **Non mettere le mani sotto il pezzo.** La protezione non protegge dalla lama sotto il pezzo. Non cercare di rimuovere il materiale tagliato mentre la lama è in movimento.
ATTENZIONE: La lama continua a girare dopo lo spegnimento. Aspettare che la lama si sia fermata prima di prendere il materiale tagliato.

3. **Regolare la profondità di taglio secondo lo spessore del pezzo.** Sotto il pezzo dovrebbe essere visibile meno di un intero dente della lama.
4. **Mai tenere in mano o con una gamba il pezzo che viene tagliato. Fissarlo a una piattaforma stabile.** È importante supportare il pezzo correttamente, per minimizzare l'esposizione del corpo, l'incastarsi della lama o la perdita di controllo. (Fig. 1)
5. **Tenere l'utensile per le superfici di presa isolate quando si esegue una operazione in cui potrebbe venire a contatto con fili elettrici nascosti o con il suo stesso cordone elettrico.** Il contatto con un filo elettrico "sotto tensione" mette "sotto tensione" anche le parti metalliche esposte, dando una scossa all'operatore.
6. **Per fendere, usare sempre una guida pezzo o una guida per bordi diritti.** Ciò migliora la precisione di taglio e riduce il rischio che la lama rimanga incastrata.
7. **Usare sempre lame (diamantate o rotonde) con le dimensioni e la forma del foro dell'albero corrette.** Le lame con l'hardware di montaggio della sega diverso girano eccentricamente, causando la perdita di controllo.
8. **Mai usare rondelle o bulloni delle lame inadatti.** Le rondelle e i bulloni delle lame sono stati progettati appositamente per le prestazioni ottimali e per la sicurezza d'utilizzo di questo utensile.
9. **Cause e prevenzione dei contraccolpi dell'utensile da parte dell'operatore**

- il contraccolpo è la reazione improvvisa di una lama incastrata, bloccata o disallineata, che causa un sollevamento incontrollato della sega fuori dal pezzo e verso l'operatore.
- quando la lama è incastrata o bloccata strettamente dal taglio che si chiude, essa si ferma e la reazione del motore spinge rapidamente indietro l'utensile verso l'operatore.
- se la lama diventa storta o disallineata nel taglio, i denti sul bordo posteriore della lama possono entrare nella superficie superiore del legno facendola uscire dal taglio e rimbalzare indietro verso l'operatore.

Il contraccolpo è il risultato dell'uso sbagliato e/o scorretto delle procedure o condizioni d'utilizzo, e può essere evitato usando le precauzioni indicate sotto.

- **Mantenere una presa solida con entrambe le mani sulla sega, e posizionare le braccia in modo da resistere alla forza del contraccolpo. Posizionare il corpo a fianco della lama, e non allineato con essa.** Il contraccolpo potrebbe far saltare indietro la sega, ma la sua forza può essere controllata dall'operatore se vengono prese le precauzioni appropriate.
- **Se la lama rimane incastrata, oppure se per un qualsiasi motivo si interrompe il taglio, rilasciare l'interruttore e mantenere ferma la sega finché non si arresta completamente. Mai cercare di rimuovere la lama dal pezzo o tirarla indietro mentre si muove, perché altrimenti si potrebbe verificare un contraccolpo.** Controllare e rimediare per eliminare la causa dell'incastramento della lama.
- **Per riavviare la sega nel pezzo, allineare la lama nel taglio e controllare che i denti della sega non siano dentro il pezzo.** Se la lama è incastrata, potrebbe rialzarsi o rinculare quando la sega viene riavviata.
- **Supportare i grandi pannelli per minimizzare il rischio che la lama rimanga incastrata e i contraccolpi.** I grandi pannelli tendono ad affossarsi sotto il loro stesso peso. Bisogna mettere dei supporti ad entrambi i lati del pannello, vicino alla linea di taglio e ai bordi del pannello.
- Per minimizzare il rischio che la lama rimanga incastrata e dei contraccolpi. Se l'operazione di taglio richiede di far riposare la lama nel pezzo, farla riposare sulla parte più grande e tagliare la parte più piccola. (Fig. 2 e 3)
- **Non usare lame ottuse o danneggiate.** Le lame non affilate o non montate correttamente producono un taglio stretto causando una frizione eccessiva, l'incastramento della lama e contraccolpi. Mantenere la lama affilata e pulita. La colla e la pece di legno indurite sulla lama rallentano la lama e aumentano la possibilità dei contraccolpi. Mantenere pulita la lama togliendole, e pulirla poi con un agente di rimozione della colla e pece di legno, acqua calda o cherosene. Mai usare benzina.
- **Le leve di blocco e di regolazione della profondità della lama e dell'angolo di taglio a sbieco devono essere fissate prima del taglio.** Se la regolazione della lama si sposta durante il taglio, potrebbe causare il suo incastrarsi o un contraccolpo.
- **Fare particolarmente attenzione quando si esegue un "taglio con perforazione" su una parete od altre aree cieche.** La lama che sporge potrebbe tagliare oggetti che potrebbero causare un contraccolpo. Per i tagli con perforazione, far rientrare la protezione inferiore usando il manico di ritrazione.
- **Tenere SEMPRE saldamente l'utensile con entrambe le mani. MAI mettere le mani o le dita dietro la sega.** Se si verifica un contraccolpo, la sega potrebbe facilmente rimbalzare indietro sulle mani, causando lesioni personali serie. (Fig. 4)

- **Mai forzare la sega. Se si forza la sega, si possono causare tagli irregolari, perdita di precisione e possibili contraccolpi.** Spingere avanti la sega a una velocità tale che la lama tagli senza rallentare.
10. **Controllare sempre che la protezione inferiore si chiuda correttamente prima dell'uso. Non far funzionare la sega se la protezione inferiore non si sposta liberamente e non si chiude istantaneamente. Non si deve mai bloccare o legare la protezione inferiore aperta.** Se la sega dovesse cadere, la protezione inferiore potrebbe storcersi. Sollevare la protezione inferiore con il manico retrattile e accertarsi che si muova liberamente e che non tocchi la lama o alcuna altra parte, a tutti gli angoli e profondità di taglio. Per controllare la protezione inferiore, aprirla a mano e rilasciarla poi guardando come si chiude. Controllare anche che il manico retrattile non tocchi l'alloggiamento dell'utensile. È MOLTO PERICOLOSO lasciare la lama esposta, con serio rischio di lesioni personali.
 11. **Controllare il funzionamento della molla della protezione inferiore. Se la protezione e la molla non funzionano correttamente, devono essere riparate prima dell'uso.** La protezione inferiore potrebbe funzionare lentamente a causa di parti danneggiate, depositi gommosi o accumulazione di scorie.
 12. **La protezione inferiore deve essere retratta a mano soltanto per i tagli speciali, come i "tagli con perforazione" e i "tagli misti". Sollevare la protezione inferiore mediante il manico retrattile, e rilasciarla non appena la lama entra nel materiale.** Per tutti gli altri tagli, la protezione inferiore dovrebbe funzionare automaticamente.
 13. **Accertarsi sempre che la protezione inferiore copra la lama prima di posare la sega sul banco di lavoro o sul pavimento.** La lama non protetta che gira fa rimbalzare indietro la sega, tagliando tutto ciò che si trova sul suo percorso. Notare il tempo necessario alla lama per fermarsi dopo che si è rilasciato l'interruttore. Prima di mettere giù l'utensile al completamento di un taglio, accertarsi che la protezione inferiore si sia chiusa e che la lama si sia fermata completamente.
 14. **Usare il coltello separatore appropriato per la lama usata.** Affinché il coltello separatore possa funzionare, deve essere più spesso del corpo della lama, ma più sottile del dente impostato della lama.
 15. **Regolare il coltello separatore come descritto in questo manuale di istruzioni.** La spaziatura, posizionamento o allineamento sbagliati possono impedire al coltello separatore di evitare i contraccolpi.
 16. **Usare sempre il coltello separatore, eccetto che per il taglio con perforazione.** Il coltello separatore deve essere sostituito dopo il taglio con separazione. Il coltello separatore causa interferenza durante il taglio con perforazione, e può causare contraccolpi.
 17. **Affinché il coltello separatore possa funzionare, deve fare contatto con il pezzo.** Il coltello separatore non può impedire i contraccolpi con i tagli corti.
 18. **Non usare la sega se il coltello separatore è storto.** Anche una piccola interferenza può rallentare la velocità di chiusura di una protezione.

19. **Fare particolarmente attenzione quando si taglia il legno bagnato, il legno compensato o il legno contenente nodi.** Regolare la velocità di taglio per mantenere l'avanzamento scorrevole dell'utensile senza ridurre la velocità della lama.
20. **Evitare di tagliare i chiodi. Ispezionare il legno e rimuovere tutti i chiodi prima del taglio.**
21. **Mettere la parte più ampia della base della sega sulla parte del pezzo supportata solidamente, e non sulla sezione che cade quando si è eseguito il taglio. Come esempi, la Fig. 5 mostra il modo CORRETTO di tagliare l'estremità di una tavola, e la Fig. 6 il modo SBAGLIATO. Se il pezzo è corto o piccolo, bloccarlo. NON CERCARE DI TENERE IN MANO I PEZZI PICCOLI! (Figg. 5 e 6)**
22. **Non si deve mai cercare di segare con la sega circolare tenuta capovolta in una morsa. Ciò è estremamente pericoloso e può causare seri incidenti. (Fig. 7)**
23. **Alcuni materiali contengono sostanze chimiche che possono essere tossiche. Fare attenzione per evitare l'inalazione della polvere e il contatto con la pelle. Osservare i dati sulla sicurezza del fornitore del materiale.**
24. **Non fermare la lama esercitando una pressione laterale su di essa.**
25. **Usare sempre le lame consigliate in questo manuale. Non usare nessun tipo di lama abrasiva.**
26. **Usando l'utensile, indossare una mascherina antipolvere e protezioni per l'udito.**

CONSERVATE QUESTE ISTRUZIONI.

AVVERTIMENTO:

L'utilizzo SBAGLIATO o la mancata osservanza delle norme di sicurezza di questo manuale di istruzioni potrebbero causare lesioni serie.

ISTRUZIONI PER L'USO

Rimozione o installazione della lama

Con questo utensile si possono usare le lame seguenti.

Diametro massimo	Diametro minimo	Spessore lama	Spessore taglio
165 mm	150 mm	1,6 mm o meno	1,9 mm o più

Lo spessore del cuneo è di 1,8 mm.

ATTENZIONE:

- Non usare lame che non sono conformi alle caratteristiche specificate in queste istruzioni.
- Non usare lame con un disco più spesso o con un insieme inferiore allo spessore del cuneo.

Per rimuovere la lama, schiacciare il bloccaggio dell'albero per evitare che giri, e usare poi la chiave esagonale per allentare il bullone ad esagono incassato. (Fig. 8)

Togliere la flangia esterna, sollevare quanto più possibile la protezione di sicurezza e rimuovere la lama. (Fig. 9)

Installare la lama usando il procedimento opposto di rimozione. Installare la flangia interna, la lama, la flangia esterna e il bullone ad esagono incassato, in quest'ordine. Stringere saldamente il bullone ad esagono incassato. (Fig. 10)

ATTENZIONE:

- Assicurarsi che i denti della lama sono volti nella stessa direzione della rotazione della lama (la freccia sulla lama deve indicare la stessa direzione che la freccia sullo utensile).
- Usare solamente chiavi della Makita per montare oppure smontare la lama.

Regolazione del cuneo (Fig. 11)

Usare la chiave esagonale per allentare il bullone ad esagono incassato per regolare il cuneo, e sollevare poi la protezione di sicurezza. Spostare il cuneo su o giù sopra le due sporgenze di regolazione indicate nella illustrazione, in modo da ottenere il gioco corretto tra il cuneo e la lama.

ATTENZIONE:

Accertarsi che il cuneo sia regolato in modo che:

La distanza tra il cuneo e il bordo dentato della lama non superi i 5 mm.

Il bordo dentato non sporga di oltre 5 mm oltre la punta del cuneo.

Regolazione della profondità di taglio (Fig. 12)

Allentare il dado con testa a galletto sulla guida di profondità e spostare la base su o giù. Fissare la base alla profondità di taglio desiderata stringendo il dado con testa a galletto.

ATTENZIONE:

- Per dei tagli più puliti e sicuri con pezzi sottili, usare una piccola profondità di taglio.
- Dopo aver regolato la profondità di taglio, stringere sempre saldamente il dado con testa a galletto.

Regolazione per i tagli a unghia (Fig. 13)

Allentare i dadi con testa a galletto davanti e dietro e inclinare l'utensile all'angolo desiderato per il taglio a unghia (0 – 45°). Dopo la regolazione, stringere saldamente i dadi con testa a galletto davanti e dietro.

Taglio diritto (Fig. 14)

Per i tagli diritti, allineare la tacca destra sulla parte anteriore della base con la linea di taglio sul pezzo.

Per i tagli a unghia di 45°, allineare con essa la tacca a sinistra.

Azionamento dell'interruttore (Fig. 15)

L'utensile è dotato di un bottone di sblocco, per impedire che il grilletto venga schiacciato accidentalmente.

Per avviare l'utensile, premere dentro il bottone di sblocco e schiacciare il grilletto. Rilasciare il grilletto per fermarlo.

ATTENZIONE:

Prima di inserire l'utensile in una presa di corrente, controllare che il grilletto dell'interruttore funzioni bene e ritorni sulla posizione di "OFF" (spento) quando viene rilasciato.

Funzionamento (Fig. 16)

Tenere saldamente l'utensile. Appoggiare la piastra della base sul pezzo senza che la lama faccia contatto. Accendere poi l'utensile e aspettare che la lama raggiunga la velocità massima. Spostare poi semplicemente l'utensile in avanti sulla superficie del pezzo, mantenendolo a contatto e facendolo avanzare fino al completamento del taglio. Per ottenere dei tagli puliti, mantenere dritta la linea di taglio e uniforme la velocità di avanzamento.

ATTENZIONE:

- Il cuneo va sempre usato, eccetto quando si comincia il taglio da una parte interna del pezzo.
- Fare attenzione a non fermare la lama esercitando una pressione laterale su di essa.

Guida laterale (Fig. 17)

Il guida laterale è facile da usare e vi permette di fare tagli dritti accuratissimi. Fare semplicemente scivolare il guida laterale propriamente sul lato del pezzo da lavorare e fermarla nella dovuta posizione con il bullone a farfalla che si trova in fronte alla base. Permette anche di fare tagli dello stesso spessore ripetuti.

Montaggio giunto (Fig. 18 e 19)

(per il collegamento dell'aspiratore)

Per eseguire delle operazioni di taglio pulite, collegare un aspiratore all'utensile.

MANUTENZIONE

ATTENZIONE:

Prima di eseguire qualsiasi lavoro sull'utensile, accertatevi sempre che sia spenta e staccata dalla presa di corrente.

Sostituzione delle spazzole di carbone (Fig. 20 e 21)

Sostituite la spazzole di carbone quando sono usurate fino alla linea di delimitazione. Sostituite entrambe le spazzole con tipi di spazzole identici.

Per mantenere la sicurezza e l'affidabilità del prodotto, le riparazioni, la manutenzione o le regolazioni dovrebbero essere eseguite da un centro di assistenza Makita autorizzato.

ACCESSORI

ATTENZIONE:

Per l'utensile specificato in questo manuale, si consigliano questi accessori o ricambi. L'utilizzo di altri accessori o ricambi può costituire un pericolo. Usare soltanto gli accessori o ricambi specificati per il loro utilizzo.

Per maggiori dettagli e l'assistenza, rivolgersi al Centro Assistenza Makita locale.

- Guida laterale
- Chiave esagonale
- Lama da sega con punte temperate

Per segare più rapidamente, con più levigatura e più lungamente senza affilare la lama.

Sega legno muri asciutti, materie plastiche e legni duri, ecc.

Diametro	Diametro del foro
190 mm	20 mm o 30 mm

Verklaring van algemene gegevens

1	Een typische afbeelding van goede handplaatsing, werkstuk-ondersteuning en netsnoerroute (indien van toepassing).	7	Losdraaien	17	Vleugelmoer
2	Om terugslag te voorkomen, ondersteun de plank of plaat dicht bij de snijlijn.	8	Zaagblad	18	Vleugelmoer
3	Plaats de ondersteuning niet te ver van de snijlijn.	9	Buitenflens	19	Voor 45° versterkzagen
4	Zeskantsleutel	10	Binnenflens	20	Voor zagen in rechte lijn
5	Asvergrendeling	11	Buitenflens	21	Voetplaat
6	Vastdraaien	12	Zeskantbout	22	Ontgrendelknop
		13	Zaagblad	23	Trekschakelaar
		14	Uitsteeksels voor afstelling van het spouwmes	24	Stofzuiger
		15	Zeskantbout (Voor afstelling van het spouwmes)	25	Limietaanwijding
		16	Snijdiepte	26	Borstelhouderdop
				27	Schroevendraaier

TECHNISCHE GEGEVENS

Model	5604R
Diameter zaagblad	165 mm
Max. zaagdiepte	
90°	54 mm
45°	35 mm
Toerental onbelast/min	5 000
Totale lengte	320 mm
Netto gewicht	3,6 kg

- In verband met ononderbroken research en ontwikkeling behouden wij ons het recht voor bovenstaande technische gegevens te wijzigen zonder voorafgaande kennisgeving.
- Opmerking: De technische gegevens kunnen van land tot land verschillen.

Doelinden van gebruik

Dit gereedschap is bedoeld voor overlangs en diagonaal recht zagen en voor versterkzagen bij hoeken tot maximaal 45° in hout terwijl het gereedschap goed in contact met het werkstuk wordt gehouden.

Stroomvoorziening

De machine mag alleen worden aangesloten op een stroombron van hetzelfde voltage als aangegeven op de naamplaat, en kan alleen op enkel-fase wisselstroom worden gebruikt. De machine is dubbel-geïsoleerd volgens de Europese standaard en kan derhalve ook op een niet-geaard stopcontact worden aangesloten.

Veiligheidswenken

Voor uw veiligheid dient u de bijgevoegde Veiligheidsvoorschriften nauwkeurig op te volgen.

AANVULLENDE

VEILIGHEIDSVOORSCHRIFTEN

Laat u NIET misleiden door een vals gevoel van comfort en bekendheid met het gereedschap (na veelvuldig gebruik) en neem alle veiligheidsvoorschriften van de cirkelzaag altijd strikt in acht. Bij onveilig of verkeerd gebruik van het elektrisch gereedschap, bestaat de kans op ernstig persoonlijk letsel.

Gevaar:

1. **Houd uw handen uit de buurt van het zaaggebied en het zaagblad. Houd met uw andere hand de voorhandgreep of de behuizing van het gereedschap vast.** Als u de cirkelzaag met beide handen vasthoudt, kunt u nooit in uw handen zagen.

2. **Reik nooit met uw handen onder het werkstuk.** De beschermkap kan u niet beschermen onder het werkstuk tegen het zaagblad. Probeer niet afgezaagd materiaal te verwijderen terwijl het zaagblad nog draait.
LET OP: Het zaagblad draait nog na nadat het gereedschap is uitgeschakeld. Wacht totdat het zaagblad volledig tot stilstand is gekomen voordat u het afgezaagde materiaal vastpakt.
3. **Stel de zaagdiepte in overeenkomstig de dikte van het werkstuk.** Minder dan een volledige tandhoogte dient onder het werkstuk uit te komen.
4. **Houd het werkstuk waarin wordt gezaagd nooit vast met uw handen of benen. Zorg dat het werkstuk stabiel is ten opzichte van de ondergrond.** Het is belangrijk het werkstuk goed te ondersteunen om de kans te minimaliseren dat uw lichaam eraan blootgesteld wordt, het zaagblad vastloopt of u de controle over het gereedschap verliest. (Fig. 1)
5. **Houd elektrisch gereedschap vast aan het geïsoleerde oppervlak van de handgrepen wanneer u werkt op plaatsen waar het zaaggereedschap met verborgen bedrading of zijn eigen snoer in aanraking kan komen.** Door contact met onder spanning staande draden, zullen ook de niet-geïsoleerde metalen delen van het elektrisch gereedschap onder spanning komen te staan zodat de gebruiker een elektrische schok kan krijgen.
6. **Gebruik bij het schulpen altijd de breedtegeleider of de langsegeleider.** Hierdoor wordt de nauwkeurigheid van het zagen vergroot en de kans op vastlopen van het zaagblad verkleint.
7. **Gebruik altijd zaagbladen met doorngaten van de juiste afmetingen en vorm (diamant of rond).** Zaagbladen die niet goed passen op de bevestigingsmiddelen van de cirkelzaag, zullen excentrisch draaien waardoor u de controle over het gereedschap verliest.
8. **Gebruik nooit een beschadigde of verkeerde bouten en ringen om het zaagblad mee te bevestigen.** De bouten en ringen voor de bevestiging van het zaagblad zijn speciaal ontworpen voor gebruik met uw cirkelzaag voor optimale prestaties en veilig gebruik.

9. Oorzaken van terugslag en wat de gebruiker hieraan kan doen:

- Terugslag is een plotselinge reactie op een bekneld, vastgelopen of niet-uitgelijnd zaagblad, waardoor de oncontroleerbare cirkelzaag omhoog, uit het werkstuk en in de richting van de gebruiker gaat.
- Wanneer het zaagblad bekneld raakt of vastloopt doordat de zaagsnede naar beneden toe smaller wordt, vertraagt het zaagblad en komt als reactie de motor snel omhoog in de richting van de gebruiker.
- Als het zaagblad gebogen of niet-uitgelijnd raakt in de zaagsnede, kunnen de tanden aan de achterrand van het zaagblad zich in het bovenoppervlak van het hout vreten, waardoor het zaagblad uit de zaagsnede klimt en omhoog springt in de richting van de gebruiker.

Terugslag is het gevolg van misgebruik van de cirkelzaag en/of onjuiste gebruiksprocedures of -omstandigheden, en kan worden voorkomen door goede voorzorgsmaatregelen te treffen, zoals hieronder vermeld:

- **Houd de cirkelzaag stevig vast met beide handen en houdt uw armen zodanig dat een terugslag wordt opgevangen. Plaats uw lichaam zijwaarts versprongen van het zaagblad en niet in een rechte lijn erachter.** Door terugslag kan de cirkelzaag achterwaarts springen, maar de kracht van de terugslag kan met de juiste voorzorgsmaatregelen door de gebruiker worden opgevangen.
- **Wanneer het zaagblad vastloopt, of wanneer u om een of andere reden het zagen onderbreekt, laat u de aan/uit-schakelaar los en houdt u de cirkelzaag stil in het materiaal totdat het zaagblad volledig tot stilstand is gekomen. Probeer nooit het zaagblad uit het werkstuk te halen of de cirkelzaag naar achteren te trekken, terwijl het zaagblad nog draait omdat hierdoor een terugslag kan optreden.** Onderzoek waarom het zaagblad is vastgelopen en tref afdoende maatregelen om de oorzaak ervan op te heffen.
- **Wanneer u de cirkelzaag weer inschakelt terwijl het zaagblad in het werkstuk zit, plaatst u het zaagblad in het midden van de zaagsnede en controleert u dat de tanden niet in het materiaal grijpen.** Als het zaagblad is vastgelopen, kan wanneer de cirkelzaag wordt ingeschakeld het zaagblad uit het werkstuk lopen of terugslaan.
- **Ondersteun grote platen om de kans te minimaliseren dat het zaagblad bekneld raakt of terugslaat.** Grote platen neigen door te zakken onder hun eigen gewicht. U moet de plaat ondersteunen aan beide zijranden, vlakbij de zaaglijn en vlakbij het uiteinde.
- De kans te minimaliseren dat het zaagblad vastloopt. Wanneer het noodzakelijk is om tijdens het zagen de cirkelzaag tot stilstand te brengen op het werkstuk, moet de cirkelzaag op het grootste deel rusten terwijl het kleinste deel wordt afgezaagd. (Fig. 2 en 3)

- **Gebruik een bot of beschadigd zaagblad niet meer.** Niet-geslepen of verkeerd gezette tanden maken een smalle zaagsnede wat leidt tot grote wrijving, vastlopen en terugslag. Houd het zaagblad scherp en schoon. Gom of hars dat op het zaagblad is opgedroogd vertraagt het zaagblad en verhoogt de kans op terugslag. Houd het zaagblad schoon door dit eerst van het gereedschap te demonteren en het vervolgens schoon te maken met een reinigingsmiddel voor gom en hars, heet water of kerosine. Gebruik nooit benzine.
 - **De vergrendelhendels voor het instellen van de zaagbladdiepte en verstelhoek moeten vastzitten alvorens te beginnen met zagen.** Als de instellingen van het zaagblad zich tijdens het zagen wijzigen, kan dit leiden tot vastlopen of terugslag.
 - **Wees extra voorzichtig wanneer u een "blinde" zaagsnede maakt in een bestaande wand of een andere plaats waarvan u de onderkant van het zaagoppervlak niet kunt zien.** Wanneer het zaagblad door het materiaal heen breekt, kan het een voorwerp raken waardoor een terugslag optreedt. Bij het maken van een "blinde" zaagsnede opent u de onderste beschermkap met behulp van de terugtrekhandel.
 - **Houd het gereedschap ALTIJD met beide handen stevig vast. Plaats NOOIT uw hand of vingers achter het zaagblad.** Als een terugslag optreedt, kan het zaagblad gemakkelijk achteruit en over uw hand springen waardoor ernstig persoonlijk letsel ontstaat. (Fig. 4)
 - **Dwing de cirkelzaag nooit. Als u het zaagblad dwingt, kan dat leiden tot een ongelijkmatige zaagsnede, verminderde nauwkeurigheid en mogelijke terugslag.** Duw de cirkelzaag vooruit met een snelheid waarbij het zaagblad niet vertraagt.
10. **Controleer voor ieder gebruik of de onderste beschermkap goed sluit. Gebruik de cirkelzaag niet als de onderste beschermkap niet vrij kan bewegen en onmiddellijk sluit. Zet de onderste beschermkap nooit vast in de geopende stand.** Als u de cirkelzaag per ongeluk laat vallen, kan de onderste beschermkap worden verbogen. Til de onderste beschermkap op aan de terugtrekhandel en controleer dat deze vrij kan bewegen en niet het zaagblad of enig ander onderdeel raakt, onder alle verstekhoeken en op alle zaagdiepten. U kunt de onderste beschermkap controleren, door deze met de hand te openen, los te laten en te kijken hoe hij sluit. Controleer tevens of de terugtrekhandel de behuizing van het gereedschap niet raakt. Het zaagblad onbeschermd laten is UITERST GEVAARLIJK en kan leiden tot ernstig persoonlijk letsel.
11. **Controleer de werking van de veer van de onderste beschermkap. Als de beschermkap en de veer niet goed werken, dienen deze te worden gerepareerd voordat de cirkelzaag wordt gebruikt.** De onderste beschermkap kan traag werken als gevolg van beschadigde onderdelen, gom- of hardafzetting, of opeenhoping van vuil.

12. De onderste beschermkap mag alleen met de hand worden geopend voor het maken van speciale zaagsneden, zoals een "blinde" zaagsnede en "samengestelde" zaagsnede. Til de onderste beschermkap op aan de terugtrekhandel en laat deze los zodra het zaagblad in het materiaal zaagt. Bij alle andere typen zaagsneden, dient de onderste beschermkap automatisch te werken.
13. **Let er altijd op dat de onderste beschermkap het zaagblad bedekt voordat u de cirkelzaag op een werkbak of vloer neerlegt.** Een onbeschermd zaagblad dat nog nadraait, zal de cirkelzaag achteruit doen lopen waarbij alles op zijn weg wordt gezaagd. Denk aan de tijd die het duurt nadat de cirkelzaag is uitgeschakeld voordat het zaagblad stilstaat. Voordat u het gereedschap neerlegt na het voltooien van een zaagsnede, controleert u dat de onderste beschermkap gesloten is en het zaagblad volledig tot stilstand is gekomen.
14. **Gebruik het geschikte spouwmes voor het zaagblad dat wordt gebruikt.** Om het spouwmes goed te laten werken, moet het dikker zijn dan het zaagbladlichaam, maar dunner zijn dan de breedte van de gezette zaagtanden.
15. **Stel het spouwmes in zoals beschreven in deze gebruiksaanwijzing.** Door een onjuiste afstand, positie of uitlijning, zal het spouwmes eventuele terugslag niet effectief kunnen voorkomen.
16. **Gebruik het spouwmes altijd, behalve bij het maken van een "blinde" zaagsnede.** Het spouwmes moet worden teruggeplaatst nadat de 'blinde' zaagsnede is gemaakt. Het spouwmes zit in de weg bij het maken van een "blinde" zaagsnede en kan terugslag veroorzaken.
17. **Voor een goede werking van het spouwmes, moet het in het werkstuk lopen.** Het spouwmes is niet effectief in het voorkomen van terugslag tijdens korte zaagsneden.
18. **Bedien de zaag niet als het spouwmes gebogen is.** Zelfs bij heel licht aanlopen kan de sluitsnelheid van een beschermkap worden verlaagd.
19. **Wees extra voorzichtig bij het zagen in nat hout, druk-behandeld timmerhout en hout met knoesten.** Pas de snelheid van het zagen aan zodat de cirkelzaag soepel vooruit blijft gaan zonder dat de snelheid van het zaagblad lager wordt.
20. **Voorkom dat u in spijkers zaagt. Inspecteer het hout op spijkers en verwijder deze zonodig voordat u begint te zagen.**
21. **Plaats het bredere deel van de zool van de cirkelzaag op het deel van het werkstuk dat goed is ondersteund, en niet op het deel dat omlaag valt nadat de zaagsnede gemaakt is. Als voorbeeld laat afbeelding 5 zien hoe u het uiteinde van een plank GOED afzaagt, en afbeelding 6 hoe u dit VERKEERD doet. Als het werkstuk kort of smal is, klemt u het vast. PROBEER NOOIT EEN KORT WERKSTUK IN UW HANDEN VAST TE HOUDEN!** (Fig. 5 en 6)
22. **Probeer nooit te zagen waarbij de cirkelzaag ondersteboven in een bankschroef is geklemd. Dit is uiterst gevaarlijk en kan leiden tot ernstig persoonlijk letsel.** (Fig. 7)
23. **Sommige materialen bevatten chemische stoffen die giftig kunnen zijn. Neem voorzorgsmaatregelen tegen het inademen van stof en contact met de huid. Volg de veiligheidsinstructies van de leverancier van het materiaal op.**
24. **Breng het zaagblad niet tot stilstand door zijdelings op het zaagblad te drukken.**
25. **Gebruik altijd zaagbladen die in deze gebruiksaanwijzing aanbevolen worden. Gebruik geen slijpschijven.**
26. **Draag een stofmasker en gehoorbescherming tijdens gebruik van het gereedschap.**

BEWAAR DEZE VOORSCHRIFTEN.

WAARSCHUWING:

VERKEERD GEBRUIK of het niet naleven van de veiligheidsvoorschriften in deze gebruiksaanwijzing kan leiden tot ernstige verwondingen.

BEDIENINGSVOORSCHRIFTEN

Verwijderen of installeren van het zaagblad

Voor dit gereedschap kunnen de volgende zaagbladen worden gebruikt.

Max. diam.	Min. diam.	Zaagblad-dikte	Zaagsnede
165 mm	150 mm	1,6 mm of minder	1,9 mm of meer

De dikte van het spouwmes is 1,8 mm.

LET OP:

- Gebruik geen zaagbladen die niet beantwoorden aan de in deze gebruiksaanwijzing vermelde specificaties.
- Gebruik geen zaagbladen waarvan het blad dikker, of de snijbreedte (zetting van de tanden) minder is dan de dikte van het spouwmes.

Om het zaagblad te verwijderen, drukt u eerst de asvergrendeling in zodat de as niet meer kan draaien. Draai dan de zeskantbout los met de zeskantsleutel. (Fig. 8)

Verwijder vervolgens de buitenflens, zet de veiligheidskap in de hoogste stand, en verwijder het zaagblad. (Fig. 9)

Om het zaagblad te installeren, volgt u de procedure voor het verwijderen in omgekeerde volgorde. Monteer achtereenvolgens de binnenflens, het zaagblad, de buitenflens, en de zeskantbout. Zorg ervoor dat de zeskantbout stevig vastgedraaid is. (Fig. 10)

LET OP:

- Controleer of de tanden van het zaagblad naar voren zijn gericht in dezelfde richting als de zaagrotatie (de pijl op het zaagblad dient in dezelfde richting te wijzen als de pijl op het gereedschap).
- Gebruik uitsluitend de dopsleutel van MAKITA voor het verwijderen of installeren van het zaagblad.

Afstellen van het spouwmes (Fig. 11)

Draai met de zeskantsleutel de zeskantbout voor afstelling van het spouwmes los, en breng dan de veiligheidskap omhoog. Beweeg het spouwmes naar omhoog of naar omlaag over de twee uitsteeksels voor afstelling van het spouwmes aangegeven in Fig. 11 om de juiste afstand tussen het spouwmes en het zaagblad te krijgen.

LET OP:

Zorg ervoor dat het spouwmes zo wordt afgesteld dat: De afstand tussen het spouwmes en de zaagtandrand niet groter is dan 5 mm. De zaagtandrand niet verder dan 5 mm voorbij de onderrand van het spouwmes uitsteekt.

Instellen van de zaagdiepte (Fig. 12)

Draai de vleugelmoer op de dieptegeleider los en beweeg de voetplaat naar boven of naar beneden. Zet de voetplaat bij de gewenste zaagdiepte vast door de vleugelmoer vast te draaien.

LET OP:

- Gebruik een geringe zaagdiepte voor het zagen van dunne werkstukken, om schoner en veiliger te kunnen zagen.
- Zorg altijd ervoor dat u de vleugelmoer na het instellen van de zaagdiepte stevig vastdraait.

Afstellen van de hoek voor verstekzagen (Fig. 13)

Draai de vleugelmoeren vooraan en achteraan los en hel het gereedschap naar de gewenste hoek voor verstekzagen (0 – 45°). Na afstelling dient u de vleugelmoeren vooraan en achteraan goed vast te draaien.

Richten (Fig. 14)

Voor zagen in een rechte lijn, dient u de rechter inkeping op de voorkant van de voetplaat op één lijn te brengen met de zaaglijn op het werkstuk.

Voor 45° verstekzagen, brengt u de linker inkeping op één lijn met de zaaglijn.

Werking van de trekschakelaar (Fig. 15)

Om te voorkomen dat de trekschakelaar per toeval wordt ingedrukt, is het gereedschap voorzien van een ontgrenselknop.

Om het gereedschap te starten, drukt u eerst de ontgrenselknop in en dan de trekschakelaar. Laat de trekschakelaar los om het gereedschap te stoppen.

LET OP:

Alvorens het netsnoer op het stopcontact aan te sluiten, dient u altijd te controleren of de trek-schakelaar behoorlijk werkt en bij loslaten onmiddellijk naar de "OFF" positie terugkeert.

Bediening (Fig. 16)

Houd het gereedschap stevig vast. Zet de voetplaat van het gereedschap op het werkstuk zonder dat het zaagblad contact maakt met het werkstuk. Schakel dan het gereedschap in en wacht tot het zaagblad op volle toeren draait. Beweeg daarna het gereedschap gewoon naar voren over het werkstukoppervlak, ervoor zorgend dat de voetplaat vlak op het werkstukoppervlak blijft. Beweeg het gereedschap gelijkmatig naar voren tot het werkstuk volledig is doorgezaagd. Om schone sneden te krijgen, moet u in een rechte lijn zagen en het gereedschap met gelijkmatige snelheid voortbewegen.

LET OP:

- Het spouwmes moet altijd worden gebruikt, behalve voor invalzaagwerk.
- Stop het zaagblad niet door zijdelingse druk erop uit te oefenen.

Geleider (Fig. 17)

Deze handige geleider maakt het mogelijk zeer preciese recht stukken te verkrijgen. Het installeren is heel eenvoudig. U zet de geleider tegen de zijkant van het werkstuk en maak hem vervolgens op het gereedschap vast met behulp van de bout aan de voorkant van de voetplaat. U kunt met de geleider achtereenvolgens stukken afzagen van gelijke breedte.

Verbindingsstuk (Fig. 18 en 19)

(voor het aansluiten van een stofzuiger)

Om de zaagomgeving schoon te houden, kunt u een stofzuiger op dit gereedschap aansluiten.

ONDERHOUD

LET OP:

Zorg er altijd voor dat de machine is uitgeschakeld en de stekker uit het stopcontact is verwijderd alvorens onderhoud aan de machine uit te voeren.

Vervangen van koolborstels (Fig. 20 en 21)

Vervang de borstels wanneer ze tot aan de aangegeven limiet zijn afgesleten. Beide koolborstels dienen tegelijkertijd te worden vervangen.

Opdat het gereedschap veilig en betrouwbaar blijft, dienen alle reparaties, onderhoud of afstellingen te worden uitgevoerd bij een erkend Makita service centrum.

ACCESSOIRES

LET OP:

Deze accessoires of hulpstukken worden aanbevolen voor gebruik met het Makita gereedschap dat in deze gebruiksaanwijzing wordt beschreven. Het gebruik van andere accessoires of hulpstukken kan gevaar voor persoonlijke verwonding opleveren. Gebruik de accessoires of hulpstukken uitsluitend voor het gespecificeerde doel.

Went u meer informatie over deze accessoires, neem dan contact op met het dichtstbijzijnde Makita service-centrum.

- Breedtegeleider
- Inbussleutel
- Zaagblad met hardmetalen punten

Voor sneller, gladder en langer zagen, zonder dat bijscherpen nodig is.

Geschikt voor zagen van hout, gipsplaten, plastic, hard hout enz.

Diam.	Asgat.
190 mm	20 mm of 30 mm

Explicación de los dibujos

1	Una ilustración típica del correcto apoyo de las manos, apoyo de la pieza de trabajo, tendido del cable de alimentación (si es aplicable).	6	Apretar	16	Profundidad de corte
2	Para evitar contragolpes, apoye el tablero o panel cerca del punto de corte.	7	Aflojar	17	Tuerca de orejetas
3	No apoye el tablero o panel en puntos alejados de la parte a cortar.	8	Hoja de sierra	18	Tuerca de orejetas
4	Llave hexagonal	9	Brida exterior	19	Para cortes en bisel a 45°
5	Seguro del eje	10	Brida interior	20	Para cortes rectos
		11	Brida exterior	21	Placa base
		12	Perno de cabeza hueca hexagonal	22	Botón de bloqueo del encendido
		13	Hoja de sierra	23	Interruptor de gatillo
		14	Salientes de ajuste	24	Aspiradora
		15	Perno de cabeza hueca hexagonal (para ajustar la cuchilla abridora)	25	Marca de límite
				26	Tapón de escobilla
				27	Destornillador

EESPECIFICACIONES

Modelo	5604R
Diámetro de cuchilla	165 mm
Profundidad máx. de corte	
90°	54 mm
45°	35 mm
Velocidad en vacío (min ⁻¹)	5.000
Longitud total	320 mm
Peso neto	3,6 kg

- Debido a un programa continuo de investigación y desarrollo, las especificaciones aquí dadas están sujetas a cambios sin previo aviso.
- Nota: Las especificaciones pueden ser diferentes de país a país.

Uso previsto

La herramienta ha sido prevista para realizar cortes rectos longitudinales y transversales y cortes en inglete con ángulos a 45° en madera manteniendo firme contacto con la pieza de trabajo.

Alimentación

La herramienta ha de conectarse solamente a una fuente de alimentación de la misma tensión que la indicada en la placa de características, y sólo puede funcionar con corriente alterna monofásica. El sistema de doble aislamiento de la herramienta cumple con la norma europea y puede, por lo tanto, usarse también en enchufes hembra sin conductor de tierra.

Sugerencias de seguridad

Para su propia seguridad, consulte las instrucciones de seguridad incluidas.

NORMAS DE SEGURIDAD ESPECÍFICAS

NO deje que la comodidad o familiaridad con el producto (a base de utilizarlo repetidamente) sustituya la estricta observancia de las normas de seguridad para la sierra circular. Si utiliza esta herramienta eléctrica de forma no segura o incorrecta, podrá sufrir graves heridas personales.

Peligro:

1. **Mantenga las manos alejadas del área de corte y del disco. Mantenga su segunda mano sobre el mango auxiliar o sobre el alojamiento del motor.** Si ambas manos están sujetando la sierra, no habrá peligro de que el disco las corte.

2. **No se ponga debajo de pieza de trabajo durante la tarea.** El protector de disco no podrá protegerle del disco por debajo de la pieza de trabajo. No intente retirar material cortado cuando el disco esté moviéndose.
PRECAUCIÓN: Los discos siguen girando por inercia después de apagar la herramienta. Espere hasta que el disco se pare antes de agarrar el material cortado.
3. **Ajuste la profundidad de corte al grosor de la pieza de trabajo.** Por debajo de la pieza de trabajo deberá sobresalir menos de un diente completo del disco.
4. **No sujete nunca con las manos ni entre las piernas la pieza que esté cortando. Sujete la pieza de trabajo en una plataforma estable.** Es muy importante que apoye la pieza de trabajo debidamente para minimizar la exposición del cuerpo, el estancamiento del disco, o la pérdida de control. (Fig. 1)
5. **Cuando realice una operación en la que la herramienta de corte pueda entrar en contacto con cableado oculto o con su propio cable, sujete la herramienta eléctrica por las superficies de asiento aisladas.** El contacto con un cable con corriente también hará que la corriente circule por las partes metálicas expuestas de la herramienta eléctrica y podrá electrocutar al operario.
6. **Cuando haga cortes al hilo, utilice siempre una guía lateral o un listón recto.** Esto mejora la precisión del corte y reduce la posibilidad de que el disco se estanque.
7. **Utilice siempre discos con agujero central de tamaño y forma correctos (diamante y redondo).** Los discos cuyo agujero central no coincida con el dispositivo de montaje de la sierra girarán excéntricamente y ocasionarán la pérdida del control.
8. **No utilice nunca arandelas o pernos de disco dañados o incorrectos.** Las arandelas y el perno de disco han sido diseñados especialmente para su sierra, y con ellos se logran un rendimiento y seguridad de operación óptimos.
9. **Causas y prevención de retrocesos bruscos:**
 - El retroceso brusco es una reacción repentina debida a un aprisionamiento, estancamiento o desalineación del disco, que hace que la sierra se levante y salga incontrolada de la pieza de trabajo hacia el operario.

- cuando el disco queda aprisionado o estancado firmemente debido al cierre de la hendidura, el disco se inmoviliza y la reacción del motor empuja la sierra bruscamente hacia atrás contra el operario;
- si el disco se retuerce o desalinea en el corte, los dientes del borde trasero del disco pueden morder la superficie de la madera haciendo que el disco se salga de la hendidura y salte hacia atrás contra el operario.

Los retrocesos bruscos se deben a un mal uso de la sierra y/o a procedimientos o condiciones de trabajo incorrectos y pueden evitarse tomando las precauciones indicadas a continuación.

- **Sujete la sierra firmemente con ambas manos y posicione los brazos de forma que pueda resistir las fuerzas de un retroceso brusco. Posicione su cuerpo a uno de los costados del disco, pero no en línea con el disco.** Los retrocesos bruscos pueden hacer que la sierra salte hacia atrás, pero las fuerzas de los retrocesos bruscos las puede controlar el operario tomando las debidas precauciones.
- **Cuando note que el disco se estanca, o cuando quiera interrumpir un corte por cualquier razón, suelte el gatillo y mantenga la sierra inmóvil en el material hasta que el disco se pare completamente. No intente nunca extraer el disco de la pieza de trabajo ni tirar de la sierra hacia atrás mientras el disco esté moviéndose porque podrá ocasionar un retroceso brusco.** Investigue y tome medidas correctivas para eliminar la causa del estancamiento del disco.
- **Cuando vaya a poner otra vez en marcha la sierra en la pieza de trabajo, centre el disco en la hendidura y compruebe que los dientes del mismo no estén enganchados en el material.** Si el disco está atascado, podrá salirse de la pieza de trabajo o retroceder bruscamente al poner de nuevo en marcha la sierra.
- **Apoye los paneles grandes para minimizar el riesgo de que el disco se estanque y retroceda bruscamente.** Los paneles grandes tienden a combarse con su propio peso. Deberá poner apoyos debajo del panel a ambos lados, cerca de la línea de corte y cerca de los bordes del panel.
- Para minimizar el riesgo de que el disco se estanque y retroceda bruscamente. Cuando la operación de corte requiera apoyar la sierra sobre la pieza de trabajo, la sierra deberá apoyarse sobre la porción más grande y cortar la porción más pequeña. (Fig. 2 y 3)
- **No utilice discos mellados o dañados.** Los discos desafilados o mal ajustados producen una hendidura estrecha que ocasiona excesiva fricción, estancamiento del disco y retrocesos bruscos. Mantenga el disco afilado y limpio. La cola y la resina de madera endurecidas en el disco frenan la sierra y aumentan las posibilidades de que se produzcan retrocesos bruscos. Mantenga el disco limpio desmontándolo primero de la herramienta, y limpiándolo después con un producto para quitar colas y resina; agua caliente o queroseno. No utilice nunca gasolina.

- **Las palancas de fijación de los ajustes de profundidad y de bisel del disco deben ser apretadas y sujetadas antes de realizar el corte.** Si el ajuste del disco cambia durante el corte, podrá ocasionar un estancamiento y retroceso brusco.
- **Extreme las precauciones cuando haga un “corte por hundimiento” en paredes u otras áreas ciegas.** La parte sobresaliente del disco podrá cortar objetos que pueden ocasionar un retroceso brusco. Para hacer cortes por hundimiento, levante el protector inferior utilizando la palanca retráctil.
- **Sujete SIEMPRE la herramienta firmemente con ambas manos. No ponga NUNCA la mano ni los dedos detrás de la sierra.** Si se produce un retroceso brusco, la sierra podrá saltar fácilmente hacia atrás sobre su mano, causando graves heridas personales. (Fig. 4)
- **No fuerce nunca la sierra. Si fuerza la sierra podrá ocasionar cortes irregulares, pérdida de precisión, y posibles retrocesos bruscos.** Empuje la sierra hacia delante a una velocidad a la que el disco corte sin frenarse.

10. **Compruebe el protector inferior para confirmar que se cierra debidamente antes de cada uso. No utilice la sierra si el protector inferior no se mueve libremente y se cierra instantáneamente. No sujete ni ate nunca el protector inferior en la posición abierta.** Si deja caer accidentalmente la sierra, el protector inferior podrá doblarse. Levante el protector inferior con la manivela retráctil y asegúrese de que se mueve libremente y que no toca el disco ni ninguna otra parte, en todos los ángulos y profundidades de corte. Para comprobar el protector inferior, ábralo con la mano, después suéltelo y observe que se cierra. Compruebe también para asegurarse de que la manivela retráctil no toca la carcasa de la herramienta. El dejar el disco expuesto es MUY PELIGROSO y puede acarrear heridas personales graves.
11. **Compruebe el funcionamiento del resorte del protector inferior. Si el protector de disco y el resorte no funcionan debidamente, deberá arreglarlos antes de utilizar la herramienta.** El protector inferior podrá funcionar lentamente debido a partes dañadas y a acumulaciones pegajosas o de residuos.
12. **El protector inferior deberá retraerse manualmente sólo para cortes especiales, tales como “cortes por hundimiento” y “cortes compuestos”.** Levante el protector inferior con la manivela retráctil, y tan pronto como el disco entre en el material, deberá liberar el protector inferior. Para todos los demás cortes, el protector inferior deberá funcionar automáticamente.
13. **Antes de dejar la sierra en el banco o en el suelo, observe siempre que el protector inferior esté cubriendo el disco.** Un disco desprotegido, girando por inercia, hará que la sierra se desplace hacia atrás, cortando todo lo que encuentre a su paso. Tenga presente el tiempo que el disco tarda en pararse después de soltar el interruptor. Antes de dejar la herramienta después de completar un corte, asegúrese de que el protector inferior se ha cerrado y que el disco se ha parado completamente.

14. **Utilice la cuchilla abridora apropiada para el disco que esté utilizando.** Para que la cuchilla abridora funcione, deberá ser más gruesa que el cuerpo del disco pero más fina que el calibre del triscado del disco.
15. **Ajuste la cuchilla abridora como se describe en este manual de instrucciones.** Un incorrecto espaciado, posicionamiento o alineación podrá hacer que la cuchilla abridora resulte ineficaz en la prevención de retrocesos bruscos.
16. **Utilice la cuchilla abridora siempre excepto cuando haga corte por hundimiento.** Se deberá reponer la cuchilla abridora después de hacer un corte por hundimiento. La cuchilla abridora ocasiona interferencia durante el corte por hundimiento y puede crear retrocesos bruscos.
17. **Para que la cuchilla abridora funcione, deberá estar realizando su función en la pieza de trabajo.** La cuchilla abridora resulta ineficaz en la prevención de retrocesos bruscos cuando se hacen cortes cortos.
18. **No utilice la sierra si la cuchilla abridora está doblada.** Incluso una leve interferencia puede disminuir la velocidad de cierre de un protector.
19. **Preste atención especial cuando corte madera húmeda, madera tratada a presión, o madera que tenga nudos.** Ajuste la velocidad de corte para mantener un avance suave de la herramienta sin que se reduzca la velocidad del disco.
20. **Evite cortar clavos. Inspeccione la madera y quite todos los clavos antes de realizar el corte.**
21. **Ponga la porción más ancha de la base de la sierra en la parte de la pieza de trabajo que esté solidamente apoyada, no en la sección que caerá cuando se haga el corte. Como ejemplos, la Fig. 5 muestra la forma CORRECTA de cortar el extremo de un tablero, y la Fig. 6 la forma INCORRECTA. Si la pieza de trabajo es corta o pequeña, amordácela. ¡NO INTENTE SUJETAR PIEZAS PEQUEÑAS CON LA MANO! (Fig. 5 y 6)**
22. **No intente nunca serrar con la sierra circular sujeta al revés en un tornillo de banco. Es sumamente peligroso y puede ocasionar graves accidentes. (Fig. 7)**
23. **Algunos materiales contienen sustancias químicas que podrán ser tóxicas. Tenga precaución para evitar la inhalación de polvo y el contacto con la piel. Siga los datos de seguridad del abastecedor del material.**
24. **No pare el disco haciendo presión lateral en el disco.**
25. **Utilice siempre los discos recomendados en este manual. No utilice ningún disco abrasivo.**
26. **Póngase máscara y protección para los oídos cuando utilice la herramienta.**

GUARDE ESTAS INSTRUCCIONES.

ADVERTENCIA:

El MAL USO o el no seguir las normas de seguridad establecidas en este manual de instrucciones podrá ocasionar graves heridas personales.

INTRUCCIONES PARA EL FUNCIONAMIENTO

Desmontaje o instalación de la hoja de sierra

Con esta herramienta se podrán usar las siguientes hojas de sierra.

Máx. diá.	Mín. diá.	Espesor de la hoja	Corte de la hoja
165 mm	150 mm	1,6 mm o menos	1,9 mm o más

El espesor de la cuchilla abridora es de 1,8 mm.

PRECAUCIÓN:

- No utilice hojas de sierra que no cumplan con las características especificadas en estas instrucciones.
- No utilice hojas de sierra cuyo disco sea más grueso o que el conjunto del mismo sea más pequeño que el espesor de la cuchilla abridora.

Para desmontar la hoja de sierra, meta el seguro del eje para evitar que gire el eje, y después afloje el perno de cabeza hueca hexagonal con la llave hexagonal. (Fig. 8)

Ahora, quite la brida exterior, suba la cubierta de seguridad todo lo que sea posible, y extraiga la hoja de sierra. (Fig. 9)

Instale la hoja de sierra utilizando el procedimiento de desmontaje a la inversa. Instale la brida interior, hoja de sierra, brida exterior y perno de cabeza hueca hexagonal, en ese mismo orden. Asegúrese de apretar firmemente el perno de cabeza hueca hexagonal. (Fig. 10)

PRECAUCIÓN:

- Asegúrese de que los dientes de la cuchilla señalen hacia adelante en la misma dirección que la rotación de la herramienta (la flecha de la cuchilla debe señalar en la misma dirección que la flecha de la herramienta).
- Emplee la llave de cubo Makita para extraer e instalar la cuchilla.

Ajuste de la cuchilla abridora (Fig. 11)

Afloje el perno de cabeza hueca hexagonal de ajuste de la cuchilla abridora con la llave de tubo, después suba la cubierta de seguridad. Mueva la cuchilla abridora hacia arriba o abajo sobre los dos salientes de ajuste indicados en la ilustración, para obtener la holgura apropiada entre la cuchilla abridora y la hoja de sierra.

PRECAUCIÓN:

Cerciórese de que la cuchilla abridora esté ajustada de forma que: La distancia entre la cuchilla abridora y el círculo dentado de la hoja de sierra no sea de más de 5 mm. El círculo dentado no sobresalga más de 5 mm por fuera del borde inferior de la cuchilla abridora.

Ajuste de la profundidad de corte (Fig. 12)

Afloje la tuerca de orejetas de la guía de profundidad y mueva la base hacia arriba o abajo. A la profundidad de corte deseada, sujete la base apretando la tuerca de orejetas.

PRECAUCIÓN:

- Cuando corte piezas de trabajo finas, emplee poca profundidad de corte con objeto de obtener unos cortes más limpios y seguros.
- Después de ajustar la profundidad de corte, apriete siempre firmemente la tuerca de orejetas.

Ajustes para cortes en bisel (Fig. 13)

Afloje las tuercas de orejetas de la parte frontal y trasera, e incline la herramienta hasta el ángulo deseado para cortes en bisel (0 – 45°). Después de realizar el ajuste, apriete firmemente las tuercas de orejetas de la parte frontal y trasera.

Guía visual (Fig. 14)

Para cortes rectos, alinee la ranura derecha de la parte frontal de la base con la línea de corte marcada en la pieza de trabajo.

Para cortes en bisel a 45°, alinee la ranura izquierda con la línea de corte.

Accionamiento del interruptor (Fig. 15)

Para evitar accionar accidentalmente el interruptor de gatillo, se ha provisto un botón de bloqueo del encendido.

Para poner en marcha la herramienta, presione el botón de bloqueo del encendido y apriete el interruptor de gatillo. Suelte el interruptor de gatillo para parar.

PRECAUCIÓN:

Antes de enchufar la herramienta, siempre chequee para ver si el interruptor de gatillo trabaja correctamente y regresa a la posición "OFF" cuando la suelta.

Operación (Fig. 16)

Sujete firmemente la herramienta. Ponga la placa base sobre la pieza de trabajo a cortar sin que la hoja de sierra llegue a tocarla. Después encienda la herramienta y espere a que la hoja de sierra alcance plena velocidad. Ahora, mueva simplemente la herramienta hacia delante sobre la superficie de la pieza de trabajo, manteniéndola siempre plana y avanzando suavemente hasta completar el corte. Para obtener cortes limpios, siga rectamente la línea de corte y avance a velocidad uniforme.

PRECAUCIÓN:

- La cuchilla abridora deberá utilizarse siempre excepto cuando comience a cortar la pieza de trabajo por el medio.
- No pare la hoja de sierra aplicando presión lateral sobre el disco.

Regla de guía (Fig. 17)

La útil regla de guía permite efectuar cortes de gran precisión. Deslice simplemente la regla de guía hacia arriba contra el lado de la pieza de trabajo y fíjela en posición con el perno de la parte frontal de la base. De este modo es también posible realizar varios cortes de anchura uniforme.

Ensamblaje de junta (Fig. 18 y 19)

(para conectar una aspiradora)

Cuando quiera realizar operaciones de corte limpias conecte una aspiradora a la herramienta.

MANTENIMIENTO

PRECAUCIÓN:

Asegúrese siempre de que la herramienta esté desconectada y desenchufada antes de realizar ninguna reparación en ella.

Substitución de las escobillas de carbón (Fig. 20 y 21)

Substituya las escobillas de carbón cuando estén desgastadas hasta la marca del límite. Las dos escobillas de carbón idénticas deberían ser substituidas al mismo tiempo.

Para mantener la seguridad y fiabilidad del producto, las reparaciones, el mantenimiento y los ajustes deberán ser realizados por un Centro de Servicio Autorizado de Makita.

ACCESORIOS

PRECAUCIÓN:

Estos accesorios o acoplamientos están recomendados para utilizar con la herramienta Makita especificada en este manual. El empleo de otros accesorios o acoplamientos conllevará un riesgo de sufrir heridas personales. Utilice los accesorios o acoplamientos solamente para su fin establecido.

Si necesita cualquier ayuda para más detalles en relación con estos accesorios, pregunte al centro de servicio Makita local.

- Guía lateral
- Llave hexagonal
- Cuchilla de sierra con punta de carburo

El serrado más rápido, más suave, más largo sin afilado.

De cuchilla para corta madera, pircas, plástico, madera dura, etc.

Diámetro	Diá. de agujero
190 mm	20 mm o 30 mm

Explicação geral

1	Uma ilustração típica do suporte manual, do suporte da peça e da colocação dos fios (se necessário).	7	Libertar	16	Profundidade de corte
2	Para evitar recuo, segure a superfície de trabalho junto à zona do corte.	8	Lâmina da serra/Disco de corte	17	Porca manual
3	Não segure a superfície de trabalho nas extremidades fora da zona do corte.	9	Falange exterior	18	Porca manual
4	Chave hexagonal	10	Falange interior	19	Para cortes de esquadria de 45°.
5	Travão do eixo	11	Falange exterior	20	Para cortes direitos
6	Apertar	12	Perno com encaixe hexagonal	21	Placa de apoio
		13	Lâmina da serra/Disco de corte	22	Botão de segurança
		14	Protuberâncias para ajuste	23	Gatilho
		15	Perno com encaixe hexagonal (Para regulação da lâmina de abrir)	24	Aspirador
				25	Marca limite
				26	Tampa do porta-escovas
				27	Chave de parafusos

ESPECIFICAÇÕES

Modelo	5604R
Diâmetro do disco	165 mm
Profundidade máxima de corte	
A 90°	54 mm
A 45°	35 mm
Velocidade em vazio (min ⁻¹)	5.000
Comprimento total	320 mm
Peso líquido	3,6 kg

- Devido a um programa contínuo de pesquisa e desenvolvimento, estas especificações podem ser alteradas sem aviso prévio.
- Nota: As especificações podem variar de país para país.

Utilização pretendida

A ferramenta foi concebida para executar cortes direitos, em comprimento e cruzados, e cortes de esquadria com ângulos de 45° estando em contacto firme com a peça de trabalho.

Alimentação

A ferramenta só deve ser ligada a uma fonte de alimentação com a mesma voltagem da indicada na placa de características, e só funciona com alimentação CA monofásica. Tem um sistema de isolamento duplo de acordo com as normas europeias e pode, por isso, utilizar tomadas sem ligação à terra.

Conselhos de segurança

Para sua segurança, leia as instruções anexas.

REGRAS DE SEGURANÇA ESPECIFICAS

NÃO permita que conforto ou familiaridade com o produto (adquirido com o uso repetido) substituam aderência às regras de segurança da serra circular. Se utilizar esta ferramenta eléctrica sem segurança ou incorrectamente, pode sofrer danos pessoais graves.

Perigo:

- 1. Mantenha as mãos afastadas da área de corte e da lâmina. Mantenha a outra mão na pega auxiliar ou na caixa do motor.** Se as duas mãos estiverem a pegar na serra, não podem ser cortadas pela lâmina.
- 2. Não toque na superfície inferior da serra.** O resguardo não o protege da lâmina debaixo da peça de trabalho. Não tente retirar material cortado quando a lâmina está em movimento.

PRECAUÇÃO: A lâmina continua a rodar depois de desligar a ferramenta. Espere até que a lâmina esteja completamente parada antes de pegar no material cortado.

- 3. Regule a profundidade do corte com a espessura da peça de trabalho.** Menos do que um dente da lâmina deve ser visível sob a peça de trabalho.
- 4. Nunca agarre na peça a ser cortada com as suas mãos ou em cima das pernas. Prensar a peça de trabalho a uma superfície estável.** É importante suportar a peça correctamente para minimizar a exposição do corpo, a lâmina encravar ou perda de controlo. (Fig. 1)
- 5. Agarre na ferramenta eléctrica pelas partes isoladas quando executa uma operação em que a ferramenta de corte pode entrar em contacto com um fio escondido ou com o seu próprio cabo.** Contacto com um fio "vivo" também fará com que as partes de metal expostas fiquem "vivas" e choquem o operador.
- 6. Em escarificação use sempre uma guia paralela ou uma guia recta.** Melhora a precisão do corte e reduz a possibilidade da lâmina encravar.
- 7. Use sempre lâminas com o tamanho e forma correcta (de diamante ou arredondados) dos orifícios de suporte.** Lâminas que não correspondam às especificações de montagem da serra trabalharão mal causando perda de controlo.
- 8. Nunca use arruelas ou pernos de lâmina estragados ou incorrectos.** As arruelas e pernos da lâmina foram concebidos para a sua serra, para maior rendimento e segurança na operação.
- 9. Causas e Prevenção de Recuo pelo Operador:**
 - recuo é uma reacção súbita a uma lâmina da serra presa, entortada ou mal alinhada, que causa com que a serra descontrolada se eleve para fora da peça de trabalho em direcção ao operador.
 - quando a lâmina fica presa ou torta pelo fecho do corte, a lâmina atola e a reacção do motor atira a ferramenta para trás, para o operador.
 - se a lâmina ficar torta ou mal alinhada no corte, os dentes na extremidade traseira da lâmina podem perfurar a superfície superior da madeira causando com que a lâmina salte do corte em direcção ao operador.

O recuo é o resultado de má utilização e/ou procedimentos ou condições de operação incorrectas e pode ser evitado tomando as precauções adequadas como indicado abaixo.

- **Mantenha a serra bem agarrada com as duas mãos e posicione os braços para resistir às forças de recuo. Posicione o seu corpo num dos lados da lâmina, mas não alinhado com a lâmina.** O recuo pode fazer com que a serra salte para trás, mas as forças de recuo podem ser controladas pelo operador, se tomar as precauções apropriadas.
- **Quando a lâmina está presa ou quando por qualquer razão interrompe um corte, solte o gatilho e agarre na serra sem se mexer no material até que a lâmina pare completamente. Nunca tente retirar a serra do trabalho ou puxar a serra para trás enquanto a lâmina está em movimento, pois pode ocorrer recuo.** Investigue e execute as acções correctivas para eliminar as causas da lâmina encravar.
- **Quando volta a ligar a serra numa peça de trabalho, centre a lâmina da serra no corte e confirme que os dentes da serra não estão presos no material.** Se a lâmina da serra estiver encravada, pode saltar ou recuar da peça de trabalho quando liga a serra.
- **Suporte painéis longos para minimizar o risco da lâmina prender e recuar.** Painéis longos tendem a ceder sob o próprio peso. Os suportes devem ser colocados sob o painel, nos dois lados, perto da linha de corte e perto da extremidade.
- Para minimizar o risco de prender e recuar. Quando a operação de corte requer que a serra se apoie na peça de trabalho, a serra deve apoiar-se na porção maior e a porção menor ser cortada. (Fig. 2 e 3)
- **Não utilize lâminas rumbas ou estragadas.** Lâminas não afiadas ou mal colocadas podem produzir um corte estreito causando excessiva fricção, encravamento da lâmina e recuo. Mantenha a lâmina afiada e limpa. Resíduos acumulados e pastosos tornam a serra mais lenta e aumentam a possibilidade de recuo. Mantenha a lâmina limpa retirando-a primeiro da serra e limpando-a com detergente, água quente ou querosene. Nunca use gasolina.
- **As alavancas de ajuste de profundidade e ângulo de corte devem estar apertadas e presas antes de fazer o corte.** Se o ajuste altera durante o corte, pode causar encravamento e recuo.
- **Use precaução extra quando faz um “corte penetrante” em paredes ou outras áreas desconhecidas.** A lâmina saliente pode cortar objectos que podem originar recuo. Em cortes penetrantes, retraia o resguardo inferior utilizando a pega retratora.
- **AGARRE sempre na ferramenta firmemente com as duas mãos. NUNCA coloque a sua mão ou dedos atrás da serra.** Se ocorrer recuo, a serra pode facilmente saltar para trás sobre a sua mão, ocasionando danos sérios. (Fig. 4)

- **Nunca force a serra. Forçar a serra pode causar cortes desiguais, perda de precisão e possível recuo.** Empurre a serra para a frente a uma velocidade em que a lâmina corte sem enfraquecer.
10. **Verifique se o resguardo inferior fecha bem antes de cada utilização. Não funcione com a ferramenta se o resguardo inferior não se movimentar livremente e fechar instantaneamente. Nunca lindre o resguardo inferior na posição de aberto.** Se deixar cair a serra, o resguardo inferior pode ficar torto. Levante o resguardo inferior com a pega retratora e certifique-se de que se movimenta livremente e não toca na lâmina ou em qualquer outra parte, em todos os ângulos e profundidades de corte. Para inspecionar o resguardo inferior abra-o com a mão e veja como é que o resguardo fecha. Certifique-se também de que a pega retratora não toca na caixa da ferramenta. Deixar a lâmina exposta é MUITO PERIGOSO e pode originar danos pessoais sérios.
 11. **Verifique o funcionamento da mola do resguardo inferior. Se o resguardo e a mola não estiverem a funcionar correctamente, devem ser reparados antes da utilização.** O resguardo inferior pode funcionar mal devido a partes estragadas, depósitos pastosos ou acumulação de fragmentos.
 12. **O resguardo inferior deve ser retraído manualmente só para cortes especiais como “cortes penetrantes” e “cortes compostos”. Levante o resguardo inferior com as pegs retradoras e assim que a lâmina entrar no material o resguardo inferior deve ser libertado.**
 13. **Certifique-se sempre de que o resguardo inferior está a cobrir a lâmina antes de colocar a serra na bancada ou no chão.** Uma lâmina sem protecção, a rodar por inércia, fará com que a serra recue cortando tudo no seu caminho. Preste atenção ao tempo que a lâmina leva a parar depois de soltar o gatilho. Antes de colocar a ferramenta de lado depois de terminar um corte, certifique-se de que o resguardo inferior fechou e que a lâmina está completamente parada.
 14. **Utilize a lâmina de abrir apropriada para a lâmina que está a usar.** Para que a lâmina de abrir funcione é necessário que seja mais espessa que o corpo da lâmina mas menos do que os dentes da lâmina.
 15. **Regule a lâmina de abrir como descrito neste manual de instruções.** Espaçamento, posicionamento e alinhamento incorrecto, pode causar que a lâmina de abrir seja ineficaz na prevenção de recuo.
 16. **Utilize sempre a lâmina de abrir, excepto quando executa corte penetrante.** A lâmina de abrir deve ser substituída depois de executar corte penetrante. A lâmina de abrir causa interferência durante o corte penetrante e pode causar recuo.
 17. **Para que a lâmina de abrir funcione deve estar engatada na peça de trabalho.** A lâmina de abrir não é eficaz na prevenção de recuo durante cortes curtos.
 18. **Não funcione com a serra se a lâmina de abrir estiver dobrada.** Mesmo uma pequena interferência pode diminuir a velocidade de fecho de um resguardo.

19. **Tenha precaução extra quando corta madeira húmida, tratada com pressão ou que tenha nós.** Regule a velocidade do corte para manter um avanço suave da ferramenta sem diminuir a velocidade da lâmina.
20. **Evite cortar pregos. Inspeccione e retire todos os pregos da madeira antes de cortar.**
21. **Coloque a porção mais larga da base da serra na parte da peça de trabalho que está firmemente suportada, não na secção que cairá quando faz o corte. Como exemplos, a Fig. 5 o modo CORRECTO de cortar a extremidade de uma placa e a Fig. 6 o modo INCORRECTO. Se a peça de trabalho for curta ou pequena, prenda-a. NÃO TENHA AGARRAR PEÇAS PEQUENAS COM A MÃO!** (Fig. 5 e 6)
22. **Nunca tente serrar com a serra circular presa ao contrário num torno. É extremamente perigoso e pode originar acidentes graves.** (Fig. 7)
23. **Alguns materiais contêm químicos que podem ser tóxicos. Tenha cuidado para não inalar pó e contactar a pele. Siga as instruções de segurança do fornecedor.**
24. **Não pare as lâminas com pressão lateral na lâmina da serra.**
25. **Utilize sempre lâminas recomendadas neste material. Não utilize discos abrasivos.**
26. **Use uma máscara contra o pó e protecção para os ouvidos quando utiliza a ferramenta.**

GUARDE ESTAS INSTRUÇÕES.

AVISO:

MÁ INTERPRETAÇÃO ou não seguimento das regras de segurança estabelecidas neste manual de instruções pode causar danos pessoais sérios.

INSTRUÇÕES DE FUNCIONAMENTO

Para retirar ou instalar o disco de corte

Os seguintes discos podem ser utilizados com esta ferramenta.

Diâm. máx.	Diâm. min.	Espessura do disco	Corte
165 mm	150 mm	1,6 mm ou menos	1,9 mm ou mais

A espessura da lâmina de abrir é de 1,8 mm.

PRECAUÇÃO:

- Não utilize discos de corte que não respeitem as características especificadas nestas instruções.
- Não utilize discos de corte cuja espessura máxima seja inferior à espessura da lâmina de abrir.

Para retirar o disco da serra, pressione o travão do eixo para evitar que o eixo rode e em seguida utilize a chave hexagonal para libertar o perno de cabeça hexagonal. (Fig. 8)

Depois retire a flange exterior, levante a cobertura de segurança o mais possível e retire o disco da serra. (Fig. 9)

Coloque o disco da serra executando inversamente o procedimento de para o retirar. Coloque a flange interior, disco da serra, flange exterior e perno de cabeça hexagonal, nesta ordem. Certifique-se de que aperta firmemente o perno de cabeça hexagonal. (Fig. 10)

PRECAUÇÃO:

- Certifique-se de que os dentes do disco estão virados para a frente, no mesmo sentido de rotação da ferramenta (a seta no disco deve apontar na mesma direcção do que a seta na ferramenta).
- Utilize apenas a chave de tubo da Makita para retirar ou instalar o disco.

Regulação da lâmina de abrir (Fig. 11)

Utilize a chave de tubo para libertar o perno de encaixe hexagonal de regulação da lâmina de abrir e em seguida levante a cobertura de segurança. Movimente a lâmina de abrir para cima ou para baixo sobre as duas protuberâncias para os ajustes indicados na ilustração, de modo a obter a abertura adequada entre a lâmina de abrir e o disco da serra.

PRECAUÇÃO:

Certifique-se de que a lâmina de abrir está ajustada de maneira que: A distância entre a lâmina de abrir e o aro dentado do disco de corte não seja superior a 5 mm. O aro dentado não ultrapasse mais do que 5 mm a aresta inferior da lâmina de abrir.

Ajuste da profundidade de corte (Fig. 12)

Liberte a porca manual na guia de profundidade e mova a base para cima e para baixo. Na profundidade de corte desejada, prenda a base, apertando o parafuso manual.

PRECAUÇÃO:

- Execute um corte raso quando cortar peças finas, para obtenção de um corte limpo e seguro.
- Depois de ajustar a profundidade de corte, aperte sempre o parafuso manual firmemente.

Regulação para cortes de bisel (Fig. 13)

Liberte os parafusos manuais na parte da frente e detrás e incline a ferramenta para o ângulo de corte de bisel desejado (0° – 45°).

Aperte os parafusos manuais firmemente à frente e atrás depois de fazer as regulações.

Pontos de mira (Fig. 14)

Para cortes direitos, alinhe a ranhura direita na frente da base com a sua linha de corte na superfície de trabalho. Para cortes de bisel de 45°, alinhe a ranhura esquerda.

Ação do interruptor (Fig. 15)

Para evitar que o gatilho seja acidentalmente accionado existe um botão de bloqueio.

Para ligar a ferramenta, pressione no botão de bloqueio e carregue no gatilho. Liberte-o para parar.

PRECAUÇÃO:

Antes de ligar a ferramenta, verifique sempre se o gatilho funciona correctamente e volta para a posição "OFF" quando libertado.

Operação (Fig. 16)

Segure na ferramenta firmemente. Coloque a placa base na superfície a cortar sem que o disco faça contacto. Em seguida ligue a ferramenta e espere até que o disco atinja a velocidade máxima. Nessa altura movimente a ferramenta para a frente sobre a superfície da peça de trabalho, mantendo-a direita e avançando lentamente até que o corte esteja completo. Para cortes perfeitos, mantenha a linha de corte direita e avance a uma velocidade uniforme.

PRECAUÇÃO:

- Deve utilizar sempre a lâmina de abrir, excepto quando inicia o corte no meio da superfície de trabalho.
- Não päre o disco de corte fazendo pressão lateral.

Guia paralela (Fig. 17)

A guia permite-lhe a execução de cortes extremamente direitos. Encoste a guia ao lado da superfície de trabalho e fixe-a com o perno na frente da base. Esta guia também possibilita a execução de cortes repetitivos com profundidade uniforme.

Junta de montagem (Fig. 18 e 19)

(para ligar um aspirador)

Quando deseja executar uma operação de corte limpa, ligue um aspirador à ferramenta.

MANUTENÇÃO

PRECAUÇÃO:

Certifique-se sempre de que a ferramenta está desligada e a ficha retirada da tomada antes de efectuar qualquer inspecção e manutenção.

Substituição das escovas de carvão (Fig. 20 e 21)

As escovas de carvão devem ser substituídas quando o desgaste atingir a marca limite. Ambas as escovas de carvão devem ser substituídas ao mesmo tempo.

Para manter a segurança e fiabilidade do produto, as reparações, manutenção e afinações deverão ser sempre efectuadas por um Centro de Assistência Oficial Makita.

ACESSÓRIOS

PRECAUÇÃO:

Estes acessórios ou acoplamentos são os recomendados para uso na ferramenta MAKITA especificada neste manual. A utilização de qualquer outro acessórios ou acoplamento poderá ser perigosa para o operador. Os acessórios ou acoplamentos devem ser utilizados de maneira adequada e apenas para os fins a que se destinam.

No caso de necessitar ajuda para mais detalhes sobre estes acessórios, consulte ao departamento de assistência local da Makita.

- Guia paralela
- Chave hexagonal
- Disco de corte pastilhado com dente de carboneto
Mais rápido, melhor acabamento de corte e maior duração.
sem necessitar de afiar o disco.
Corta madeira, pladur, plásticos, madeira dura, etc.

Diâmetro	Diâmetro do orifício
190 mm	20 mm ou 30 mm

Illustrationsoversigt

1	En typisk illustration af korrekt håndstøtte, støtte af arbejdsstykket og føring af ledningen (hvis en sådan anvendes).	7	Løsne	18	Fløjmøtrik
2	Understøt plader eller paneler tæt ved savestedet for at undgå tilbagespring.	8	Savblad	19	Til 45° skråsnit
3	Understøt ikke plader eller paneler langt fra savestedet.	9	Ydre flange	20	Til lige snit
4	Sekskantsbolt	10	indre fælge	21	Grundplade
5	Skaftlås	11	Ydre flange	22	Låseknop
6	Stram	12	Sekskantbolt	23	Afbryderknop
		13	Savblad	24	Støvsuger
		14	Knopper til indstilling	25	Slidgrænse
		15	Sekskantbolt (til justering af spaltekniv)	26	Kulholderdæksel
		16	Skæredybde	27	Skruetrækker
		17	Fløjmøtrik		

SPECIFIKATIONER

Model	5604R
Klangediameter	165 mm
Maksimal skæredybde	
90°	54 mm
45°	35 mm
Omdrejninger	5 000
Længde	320 mm
Vægt	3,6 kg

- Ret til tekniske ændringer forbeholdes.
- Bemærk: Tekniske data kan variere fra land til land.

Tilsigtet anvendelse

Denne maskine er beregnet til udførelse af lige savninger på langs og tværs af træ samt geringssskæring op til 45° med maskinen i tæt kontakt med emnet.

Netsspænding

Maskinen må kun tilsluttes den netspænding, der er angivet på typeskiltet. Maskinen arbejder på enkeltfaset vekselspænding og er dobbeltisoleret iht. de europæiske normer og må derfor tilsluttes en stikkontakt uden jordtilslutning.

Sikkerhedsbestemmelser

Af sikkerhedsgrunde bør De sætte Dem ind i de medfølgende Sikkerhedsforskrifter.

SPECIFIKKE SIKKERHEDSFORSKRIFTER

LAD IKKE bekvemmelighed eller kendskab til produktet (opnået gennem gentagen anvendelse) forhindre nøje overholdelse af sikkerhedsreglerne for rundsaven. Hvis dette el-værktøj anvendes på en måde, som ikke er sikkerhedsmæssig forsvarlig eller på en forkert måde, kan resultatet blive alvorlige kvæstelser.

Fare:

1. **Hold hænderne på god afstand af klingens. Hold den anden hånd på hjælpehåndtaget eller motorhuset.** Hvis De holder saven med begge hænder, kan klingens ikke komme til at skære i dem.
2. **Ræk ikke ned under arbejdsstykket.** Beskyttelseskærmen kan ikke beskytte Dem mod klingens nedden under arbejdsstykket. Forsøg ikke at fjerne afskåret materiale, mens klingens roterer. **FORSIGTIG:** Klingens fortsætter med at rotere, efter at der er slukket for maskinen. Vent indtil klingens er standset, inden De fjerner afskåret materiale.

3. **Juster skæredybden til tykkelsen af arbejdsstykket.** Mindre end en hel tand i klingetænderne bør være synlig under arbejdsstykket.
4. **Hold aldrig det arbejdsstykke, som skæres, i hænderne eller over benet. Fastgør arbejdsstykket til en stabil overflade.** Det er vigtigt at understøtte arbejdsstykket ordentligt for at minimere faren for kropskontakt, klingebinding og tab af herredømmet over maskinen. (Fig. 1)
5. **Hold maskinen i dens isolerede grebflader, når De udfører et stykke arbejde, hvor maskinen kan komme i berøring med skjulte ledninger eller dens egen ledning.** Kontakt med en "strømførende" ledning vil bevirkte, at synlige metaldele på maskinen også bliver "strømførende", hvorved operatøren kan få stød.
6. **Ved kløvning skal der altid anvendes et parallellanslag eller et lige kantanslag.** Dette vil forbedre nøjagtigheden og nedsætte risikoen for at klingens binder.
7. **Anvend altid klinger af korrekt størrelse og form (diamant eller rund) i dørn huller.** Klinger, som ikke passer til savens monteringsdele vil køre excentrisk, hvilken vil medføre tab af herredømmet over maskinen.
8. **Anvend aldrig beskadigede eller forkerte spændeskiver og bolte.** Klingens spændeskiver og bolte er specielt fremstillede til Deres sav og til optimal ydelse og sikker anvendelse.
9. **Årsager til tilbageslag og hvordan operatøren kan forhindre det:**
 - tilbageslag er en pludselig reaktion på en fastklemt, bundet eller fejlrettet savklinge, som bevirker, at en ukontrolleret sav løftes op og ud af arbejdsstykket i retning mod operatøren,
 - når klingens er fastklemt eller bundet stramt ved at savsnittet lukkes, vil klingens gå i stå og motorreaktionen vil drive enheden hurtigt tilbage i retning mod operatøren,
 - hvis klingens bøjes eller fejlrettes i skæresnittet, kan tænderne på bagkanten af klingens grave sig ind i træets overflade, hvorved klingens kan smutte ud af savsnittet og springe tilbage i retning mod operatøren.

Tilbageslag er et resultat af forkert anvendelse af saven/eller forkert fremgangsmåde for anvendelse eller tilstande og kan undgås ved at man tager de rigtige forholdsregler som vist herunder.

- **Oprethold et fast greb med begge hænder på saven og hold armene således, at tilbageslagskraften modvirkes. Stil Dem på begge sider af klingens, men ikke på linje med den.** Tilbageslag kan bevirke, at saven springer bagud, men tilbageslagskraften kan kontrolleres af operatøren, hvis han tager de rigtige forholdsregler.
- **Hvis bladet binder eller hvis skæringen af en eller anden årsag afbrydes, skal afbryderkontakten slippes og saven skal holdes stationær i materialet, indtil klingens er helt standset. Forsøg aldrig at fjerne saven fra arbejdsstykket eller trække saven bagud, mens klingens er i bevægelse, da dette kan medføre tilbageslag.** Undersøg situationen og træf afhjælpningsforanstaltninger til at eliminere årsagen til at klingens binder.
- **Når saven genstartes i arbejdsstykket, skal den centeres midt i savsnittet og det skal kontrolleres, at savtændene ikke er i kontakt med materialet.** Hvis savklingen binder, er der risiko for, at den bevæger sig opad eller slår tilbage fra arbejdsstykket, når saven startes igen.
- **Anvend store støtteplader til at minimere risikoen for fastklemning af klingens og tilbageslag.** Store plader har tendens til at synke under deres egen vægt. Støtter skal anbringes under pladerne på begge sider, i nærheden af skærelinjen og kanten af pladen.
- **Mindskning af risikoen for fastklemning af klingens og tilbageslag.** Når skæringen kræver, at saven hviler på arbejdsstykket, bør saven hvile på den største del, og den mindste del skal skæres af. (Fig. 2 og 3)
- **Anvend ikke sløve og beskadigede klinger.** Uskærpede eller forkert monterede klinger frembringer et snævert savsnit, som medfører at klingens binder og der opstår tilbageslag. Hold altid klingens skarp og ren. Gummi og træbeg, som er stærket på klingens, gør savens langsommere og øger risikoen for tilbageslag. Hold altid klingens ren ved først at tage den af maskinen og derefter rengøre den med en gummi- og begfjerner, varmt vand eller petroleum. Benzin må aldrig anvendes.
- **Låsegrebene til klingedybde og skråsnitstilling skal være stramme og sikre, indens skæringen påbegyndes.** Hvis klingeindstillingen ændrer sig under skæringen, kan der opstå binding og tilbageslag.
- **Vær særlig forsigtig, når De udfører en "stikskæring" ind i en væg eller andre skjulte områder.** Bladet, som stikker frem, kan skære i genstande, som kan medføre tilbageslag. Hvis der skal foretages stikskæring, skal det nederste beskyttelsesdæksel først trækkes tilbage ved hjælp af tilbagetrækningshåndtaget.
- **Hold ALTID fast i maskinen med begge hænder. Anbring ALDRIG Deres hånd eller fingre bag saven.** Hvis der opstår tilbageslag, kan saven nemt springe bagud over Deres hånd, hvorved der kan ske alvorlig personskade. (Fig. 4)

- **Pres aldrig saven. Hvis De gør det, kan der opstå uensartede skæringer, tab af præcision, og muligt tilbageslag.** Tryk saven fremad med en hastighed, så klingens skærer uden at hastigheden sænkes.
- 10. **Kontroller, at den nederste beskyttelsesskærm lukker korrekt inden hver brug. Anvend ikke saven, hvis den nederste beskyttelsesskærm ikke bevæger sig frit og lukker med det samme. Den nederste beskyttelsesskærm må aldrig fastspændes eller fastbindes i den åbne stilling.** Hvis saven ved et uheld tabes, kan den nederste beskyttelsesskærm blive bøjet. Hæv den nederste beskyttelsesskærm med tilbagetrækningshåndtaget og kontroller, at den bevæger sig frit og ikke kommer i berøring med klingens eller andre dele i alle vinkler og skæredybder. For at kontrollere den nederste beskyttelsesskærm, skal man åbne den med hånden og derefter slippe den og bekræfte lukningen af skærmen. Kontroller ligeledes, at tilbagetrækningshåndtaget ikke kommer i berøring med maskinhuset. At efterlade klingens synlig kan være MEGET FARLIGT og føre til alvorlig personskade.
- 11. **Kontroller funktionen af den nederste skærmfjeder. Hvis skærmen og fjederen ikke fungerer korrekt, skal de serviceres inden brugen.** Den nederste beskyttelsesskærm kan fungere trægt på grund af beskadigede dele, gummi aflejringer eller ansamling af affaldsstoffer.
- 12. **Den nederste beskyttelsesskærm bør kun trækkes tilbage manuelt i tilfælde af specielle skæringer som for eksempel "stikskæringer" eller "miterskæringer".** Hæv den nederste beskyttelsesskærm ved hjælp af tilbagetrækningshåndtaget, og så snart klingens gå ind i materialet, bør den nederste beskyttelsesskærm automatisk træde i kraft.
- 13. **Sørg altid for, at den nederste beskyttelsesskærm dækker klingens, inden saven anbringes på bænk eller gulv.** En ubeskyttet, roterende klinge vil bevirke, at saven bevæger sig bagud og skærer i alt, hvad der er i dens bane. Vær opmærksom på den tid, det tager for klingens at stoppe, efter at afbryderkontakten er sluppet. Inden De lægger maskinen fra Dem efter at have fuldført en skæring, skal De være sikker på, at den nederste beskyttelsesskærm er lukket og at klingens er standset fuldstændigt.
- 14. **Anvend den rigtige spaltekniv til den klinge, som anvendes.** For at spaltekniven skal kunne arbejde, skal den være tykkere end selve klingens, men tyndere end klingens tandsæt.
- 15. **Indstil spaltekniven som beskrevet i denne brugsanvisning.** Fjælgagtig afstand, placering og indstilling kan bevirke, at spaltekniven ikke kan forhindre tilbageslag.
- 16. **Anvend altid spaltekniven, undtagen ved udførelse af "stikskæring".** Spaltekniven skal skiftes ud med en ny efter "stikskæring". Spaltekniven frembringer interferens under "stikskæring" og kan forårsage tilbageslag.
- 17. **For at spaltekniven skal kunne arbejde, skal den være inde i arbejdsstykket.** Spaltekniven kan ikke forhindre tilbageslag under korte skæringer.
- 18. **Anvend ikke saven, hvis spaltekniven er bøjet.** Selv en let interferens kan nedsætte beskyttelsesskærmens lukkehastighed.

19. Vær ekstra forsigtig, hvis De skærer i fugtigt træ, trykbehandlet tømmer eller træ, som har knaster. Indstil skærehastigheden, så De opnår en jævn fremføring af maskinen uden at klingehastigheden formindskes.
20. Undgå søm, når De skærer. Se efter om der er søm i tømmeret og fjern i bekræftende fald alle søm, inden skæringen påbegyndes.
21. Anbring den bredeste del af savbasen på den del af arbejdsstykket, som er solidt understøttet, ikke på den del, som vil falde af, når skæringen er fuldført. Eksempelvis viser Fig. 5 den RIGTIGE måde at skære enden af et bræt af på, og Fig. 6 viser den FORKERTE måde. Hvis arbejdsstykket er kort eller lille, skal det spændes fast. **FORSØG IKKE AT HOLDE KORTE ARBEJDSSTYKKER FAST MED HÅNDEN!** (Fig. 5 og 6)
22. Forsøg aldrig at save med rundsaven holdt på hovedet i en skruetvinge. Dette er yderst farligt og kan føre til alvorlige ulykker. (Fig. 7)
23. Noget materiale indeholder visse kemikalier, som kan være giftige. Vær påpasselig med ikke at indånde støv, og undgå hudkontakt. Følg fabrikantens sikkerhedsdata.
24. Stop ikke klingerne ved hjælp af lateralt tryk på savklingen.
25. Anvend altid de i denne brugsvejledning anbefalede klinger. Anvend ikke slibeskiver.
26. Bær altid støvmaske og høreværn, når De anvender maskinen.

GEM DISSE FORSKRIFTER.

ADVARSEL:
MISBRUG eller forsømmelse af at følge de i denne brugsvejledning givne sikkerhedsforskrifter kan føre til, at De kommer alvorligt til skade.

ANVENDELSE

Afmontering eller montering af savblad

Det følgende savblad kan anvendes i denne maskine.

Max. diameter	Min. diameter	Savbladsbredde	Skærebredde
165 mm	150 mm	1,6 mm eller mindre	1,9 mm eller mere

Bredden på spaltekniven er 1,8 mm.

FORSIGTIG:

- Anvend ikke savblade, der ikke modsvarer de her angivne specifikationer.
- Anvend ikke savblade, hvis skive er tykkere eller hvis savspor er smallere end tykkelsen på spaltekniven.

Afmontér savbladet ved at trykke spindelåsen ind for at forhindre, at spindlen drejer med. Benyt dernæst ubrakonøglen til at løsne sekskantbolten. (Fig. 8)

Fjern nu den ydre flange, hæv beskyttelseskappen så meget som muligt og fjern savbladet. (Fig. 9)

Montér savbladet ved at gå frem i modsat rækkefølge af afmonteringsproceduren. Montér den indre flange, savbladet, ydre flange og sekskantbolten i den beskrevne rækkefølge. Sørg for at stramme sekskantbolten stramt til. (Fig. 10)

FORSIGTIG:

- Kontrollér, at savbladets tænder peger fremad i samme retning som maskinens rotationsretning (pilen på savbladet skal pege i samme retning som pilen på maskinen).
- Anvend kun Makita topnøglen ved afmontering og montering af savbladet.

Justering af spaltekniven (Fig. 11)

Anvend topnøglen til at løsne sekskantbolten til justering af spaltekniven, og hæv dernæst beskyttelseskappen. Flyt spaltekniven op eller ned over de to knopper til indstilling, som illustreret, således at der bliver passende afstand mellem spaltekniven og savbladet.

FORSIGTIG:

Kontroller, at spaltekniven er justeret således at: Afstanden mellem spaltekniven og savbladets tænder ikke overstiger 5 mm. Savbladets tænder ikke kommer mere end 5 mm nedenfor spalteknivens nederste kant.

Indstilling af skæredybden (Fig. 12)

Løsn fløjmotrikken på dybdeanslaget og bevæg grundpladen op eller ned. Ved den ønskede skæredybde fastgøres grundpladen ved at spænde fløjmotrikken til.

FORSIGTIG:

- Anvend en lille skæredybde ved savning i tynde emner. Det giver et renere og mere sikkert snit.
- Stram altid fløjmotrikken godt til efter indstilling af skæredybden.

Justering ved geringssnit (Fig. 13)

Løsn fløjmotrikkerne for og bag, og vip maskinen til den ønskede geringsvinkel (0° til 45°).

Stram fløjmotrikkerne for og bag godt til efter udført justering.

Sigtning efter snitlinie (Fig. 14)

For at opnå lige snit rettes højre indsnit forrest på grundpladen ind efter snitlinien på emnet.

Ved 45° geringssnit rettes venstre indsnit ind efter snitlinien.

Afbryderkontakt (Fig. 15)

Maskinen er forsynet med en låseknap for at forhindre, at afbryderkontakten aktiveres ved et uheld.

Start maskinen ved at holde låseknappen inde, mens der trykkes på afbryderkontakten. Slip afbryderkontakten, når De vil stoppe.

FORSIGTIG:

Før maskinen sættes i netstikket, bør det altid kontrolleres at afbryderkontakten fungerer korrekt og returnerer til "OFF" indstillingen, når den slippes.

Betjening (Fig. 16)

Hold godt fast i maskinen. Placer maskinens grundplade på det emne, der skal saves, uden at savbladet kommer i kontakt med emnet. Tænd derefter for maskinen og vent, indtil savbladet er kommet op på fuld hastighed. Før nu ganske enkelt maskinen fremad henover emnets overflade, idet maskinen bevæges med jævn hastighed og holdes plant mod emnet, indtil savningen er gennemført. For at opnå rene snit skal De holde snitlinien lige, og maskinen skal føres fremad med jævn hastighed.

FORSIGTIG:

- Spaltekniven bør altid anvendes, undtagen når savningen begyndes midt i emnet.
- Stop ikke savbladet ved at trykke på skiven fra siden.

Føringslineal (Fig. 17)

Føringslinealen gør det muligt at opnå særligt præcise, lige snit. Skyd blot føringslinealen tæt op mod siden på emnet og hold den plads med bolten på forsiden af grundpladen. Føringslinealen gør det også nemt at lave gentagne savninger med samme bredde.

Montering af sugestuds (Fig. 18 og 19)

(for tilslutning af en støvsuger)

Når De ønsker at udføre savning, uden at det snavser så meget, kan De tilslutte en støvsuger til maskinen.

VEDLIGEHOLDELSE

ADVARSEL:

Sørg altid for at maskinen er slukket og netstikket trukket ud, før der foretages noget arbejde på selve maskinen.

Udskiftning af kulborster (Fig. 20 og 21)

Udskift kulborsterne, når de er slidt ned til slidmarkeringen. De to identiske kulborster bør udskiftes samtidigt.

For at opretholde produktets sikkerhed og pålidelighed, må istandsættelse, vedligeholdelse eller justering kun udføres af et autoriseret Makita service center.

TILBEHØR

FORSIGTIG:

Det i denne manual specificerede tilbehør og anordninger anbefales til brug sammen med Deres Makita maskine. Brug af andet tilbehør og andre anordninger kan udgøre en risiko for personskade. Anvend kun tilbehør og anordninger til de beskrevne formål.

Hvis De behøver assistance eller yderligere detaljer om dette tilbehør, bedes De kontakte Deres lokale Makita servicecenter.

- Føringslineal
- Unbrakonøgle
- Savblad med karbidstålskær

Giver hurtigere, jævnere og længere savning

uden at savbladet behøver slibning.

Kan skære træ, tørmur, plastik, hårdt træ, etc.

Diameter	Huldiameter
190 mm	20 mm eller 30 mm

Förklaring av allmän översikt

1	En typisk bild av hur maskinen ska hållas, hur arbetsstycket ska vara festsatt och hur sladden ska dras.	7	Lossa	18	Vingmutter
2	Stöd brädan eller panelen nära sågstället för att undvika bakåtkast (kickback).	8	Sågklinga	19	För sågning i 45° vinkel
3	Stöd inte brädan eller panelen långt ifrån sågstället.	9	Yttre fläns	20	För raksågning
4	Sexkantssnyckel	10	Inre fläns	21	Bottenplatta
5	Axellås	11	Yttre fläns	22	Säkerhetsspärr
6	Dra åt	12	Bult med sexkantshuvud	23	Avtryckare
		13	Sågklinga	24	Dammsugare
		14	Utbuktningar för inställning	25	Gränsmärke
		15	Bult med sexkantshuvud (För justering av klyvningskniv)	26	Kolhållarlock
		16	Skärdjup	27	Skrumvejsel
		17	Vingmutter		

TEKNISKA DATA

Modell	5604R
Klingdiameter	165 mm
Max. sågdjup	
90°	54 mm
45°	35 mm
Varvtal/min	5 000
Längd	320 mm
Vikt	3,6 kg

- På grund av det kontinuerliga programmet för forskning och utveckling, kan här angivna tekniska data ändras utan föregående meddelande.
- Observera! Tekniska data kan variera i olika länder.

Verktygets ändamål

Detta verktyg är avsett för raksågning på längden och bredden och för geringssågning i upp till 45° vinkel i trä med verktyget i ordentligt kontakt med ämnet.

Strömförsörjning

Maskinen får endast anslutas till nät med samma spänning som anges på typplåten och kan endast köras med enfas växelström. Den är dubbelisolerad i enlighet med europeisk standard och kan därför anslutas till vägguttag som saknar skyddsjord.

Säkerhetstips

För din egen säkerhets skull, bör du läsa igenom de medföljande säkerhetsföreskrifterna.

SÄRSKILDA SÄKERHETSREGLER

GLÖM INTE att strikt följa säkerhetsanvisningarna för cirkelsågen ÄVEN efter det att du blivit van att använda den. Felaktig användning av denna maskin kan leda till allvarliga personskador.

FARA:

1. **Håll inte händerna nära sågklinga eller sågområde. Håll i maskinens extrahandtag eller på motorkåpan med en hand.** Om du håller sågen med båda händerna kan de inte skadas av sågklingan.
2. **Håll aldrig händer under arbetsstycket.** Skyddet skärmar inte av sågklingan under arbetsstycket. Försök inte att avlägsna sågat material medan sågklingan rör sig.

FÖRSIKTIGHET: Sågklingan roterar fritt efter att maskinen stängts av. Vänta tills sågklingan har stannat innan avsågat material tas bort.

3. **Ställ in sågdjupet så att det motsvarar arbetsstyckets tjocklek.** Åtminstone ska en hel sågtand sticka ut under arbetsstycket.
4. **Håll aldrig arbetsstycket med handen eller mellan benen. Sätt fast arbetsstycket ordentligt.** Detta är viktigt för att förhindra kroppsskada, förhindra sågklingan från att fastna samt för att inte tappa kontrollen. (Fig. 1)
5. **Håll maskinen i de isolerade handtagen när du utför arbete där du kan råka säga i en dold elkabel eller i maskinens egna sladd.** Kontakt med en strömförande kabel kommer att göra maskinens metalldelar strömförande och ger användaren en stöt.
6. **Vid långssågning måste en riktlinjal användas.** Dels ökar det noggrannheten och dels minskar risken för att klingan fastnar.
7. **Använd bara sågklingor med rätt dimension och form på monteringshålen (rombiska eller runda).** Klingor som inte passar till sågen kommer att rotera excentriskt vilket gör att den inte kan kontrolleras.
8. **Använd aldrig skadade eller felaktiga brickor eller bultar.** Brickorna är särskilt gjorda för att sågen ska få goda prestanda och bli säker att använda.
9. **Orsaker till varför maskinen kastar och hur detta kan förhindras;**
 - ett kast är när maskinen plötsligt kastas upp ur arbetsstycket och mot användaren. Detta kan ske om klingan kläms, fastnar eller sitter fel.
 - när klingan kläms eller fastnar i sågspåret gör rotationen att maskinen blixtnabbt flyger bakåt mot användaren.
 - om klingan blir skev eller om den kommer snett i sågspåret kan dess bakkant skära in i trästyckets överdel så att klingan kastas upp ur sågspåret och mot användaren.

Kast är ett resultat av felaktig hantering av sågen och/eller felaktiga betingelser vilket kan undvikas genom att följa råden nedan.

- **Håll alltid sågen stadigt med båda händerna och håll armarna så att du kan motverka kastkrafter. Stå vid sidan om sågklingan, inte rakt bakom.** Ett kast kan få sågen att flyga bakåt men dessa krafter kan motverkas av användaren.

- Om sågklingan fastnar eller om du stoppar sågningen av något skäl ska du släppa upp brytaren och låta sågen vara kvar i arbetsstycket till den har stannat helt. Försök aldrig att ta upp sågen eller att dra den baklänges medan klingan fortfarande roterar. Detta kan göra att sågen kastar. Ta reda på varför klingan fastnade.
 - När du startar om sågen i arbetsstycket centrare du klingan i sågsåret och kontrollerar att inte sågtänderna ligger an mot arbetsstycket. Om sågklingan fastnar kan den vandra upp i, eller kastas upp ur arbetsstycket när sågen startas om.
 - Stora arbetsstycken måste stötta extra för att minimera risken av att klingan fastnar så att sågen kastar. Stora arbetsstycken kan tyngas ner av sin egen vikt. Extra stöttor måste sättas på båda sidor om planerad sågning och nära materialets kanter.
 - För att minimera risken för att klingan ska fastna och att sågen ska kasta. Om sågen måste vila mot arbetsstycket vid kapning måste detta ske på arbetsstycket större del så att den minde sågas av. (Fig. 2 och 3)
 - Använd inte slöa eller skadade sågklingor. Slöa eller felvinklade skär ger smala spår som ökar friktionen och ökar risk för att bladet fastnar och att sågen kastar. Håll klingan vass och ren. Kåda och annat trämaterial som har fastnat på klingan gör att sågningen går långsammare och ökar risken för kast. Rengör klingan genom att först ta bort den från sågen och sedan tvätta den med ett kådlösande medel, varmvatten eller fotogen. Använd aldrig bensin.
 - Låsspakar för sågdjup och sågvinkel måste vara åtdragna före sågning. Om sågklingans inställning ändras under sågningen kan klingan fastna och sågen kasta.
 - Var extra försiktig om sågar ett spår i en väg eller av annat skäl inte kan se arbetsstyckets baksida. Sågklingan kan fastna i föremål så att sågen kastar. Vid spårsågning ska nedre kling-skyddet dras tillbaka med spaken.
 - Håll ALLTID maskinen stadigt med båda händerna. Placera ALDRIG händer eller fingrar bakom sågen. Om sågen kastar kan den lätt hoppa upp på din hand och orsaka allvarliga personskador. (Fig. 4)
 - Tryck aldrig sågen hårt mot arbetsstycket. Det kan orsaka ojämna sågspår, ge försämrad noggrannhet och kanske också orsaka kast. Tryck sågen framåt med en sådan hastighet att klingan sågar utan att gå långsammare.
10. Kontrollera att det nedre skyddet är stängt före varje användning. Använd sågen endast om det nedre skyddet löper fritt och stänger direkt. Bind aldrig upp det nedre skyddet så att det alltid är öppet. Om du skulle råka tappa sågen kan nedre skyddet böjas. Lyft upp nedre skyddet med spaken och se till att den rör sig fritt och inte kommer åt sågklingan eller andra komponenter oavsett sågdjup och sågvinkel. Kontrollera nedre skyddet genom att öppna det för hand och sedan släppa det. Det ska då stängas automatiskt. Kontrollera också att spaken inte kommer mot sågens kåpa. Att låta sågklingan vara exponerad är MYCKET FARLIGT och kan leda till allvarliga personskador.
 11. Kontrollera att fjädern till nedre skyddet fungerar. Om skyddet och fjädern inte fungerar måste detta åtgärdas innan maskinen används. Nedre skyddet kan röra sig trögt på grund av skada eller ansamling av skräp.
 12. Nedre skyddet får bara öppnas manuellt vid viss specialsågning såsom spårsågning och kompositsågning. Öppna nedre skyddet genom att dra tillbaka spaken och när klingan tar i arbetsstycket måste nedre skyddet släppas. Vid all annan sågning ska nedre skyddet användas med automatik.
 13. Kontrollera alltid att nedre skyddet täcker sågklingan innan sågen läggs ner på bord eller golv. En oskyddad sågklinga kan göra att sågen vandrar bakåt och sågar sönder allt i sin väg. Tänk på att det tar en stund för klingan att stanna efter det att brytaren släppts. Kontrollera att nedre skyddet har stängt och att klingan har stannat helt innan maskinen läggs åt sidan efter en sågning.
 14. Använd en klyvkniv som passar sågklingan. För att klyvkniven ska fungera måste den vara tjockare än sågklingan men tunnare än sågklingans sågtänder.
 15. Ställ in klyvkniven enligt dessa bruksanvisningar. Felaktigt avstånd, placering eller riktning kan leda till att klyvkniven inte kan hindra kast effektivt.
 16. Använd alltid klyvkniven utom vid spårfräsning. Klyvkniven måste sättas tillbaka efter sådan spårfräsning. Klyvkniven sitter i vägen vid spårfräsning och kan orsaka kast.
 17. För att klyvkniven ska fungera måste den ligga an mot arbetsstycket. Klyvkniven hindrar inte kast vid mindre kapningar.
 18. Använd inte sågen om klyvkniven är böjd. Skyddet kan hindras av minsta tröghet.
 19. Var extra försiktig vid sågning i fuktigt trä, tryckimpregnerat virke eller trä med kvistar och tjurved. Anpassa sågningshastigheten så att sågen kan föras fram mjukt utan att klingans hastighet minskar.
 20. Såga inte i spikar. Ta bort eventuella spikar från arbetsstycket före sågning.
 21. Stötta arbetsstycket så att den mindre delen faller av när kapningen är klar. I figur 5 visas ett exempel på hur änden av arbetsstycket kapas på RÄTT sätt och figur 6 visar hur kapningen görs på FEL sätt. Om arbetsstycket är kort eller litet ska det spännas fast. FÖRSÖK INTE ATT HÅLLA KORTA ARBETSSTYCKET MED HANDEN! (Fig. 5 och 6)
 22. Försök aldrig att såga med cirkelsågen factsatt uppochner i ett skruvstycke. Detta är extremt farligt och kan leda till allvarliga olyckor. (Fig. 7)
 23. Vissa material innehåller kemikalier som kan vara giftiga. Se till att du inte andas in damm eller får det på huden. Följ anvisningarna i leverantörens materialsäkerhetsblad.
 24. Stanna inte sågklingan genom att trycka på den från sidan.
 25. Använd bara de sågklingor som rekommenderas i denna handbok. Använd aldrig slipskivor.
 26. Använd munskydd och hörselskydd när maskinen används.

SPARA DESSA ANVISNINGAR.

VARNING:

OVARSAM hantering eller användning som inte följer säkerhetsanvisningarna i denna bruksanvisning kan orsaka allvarliga personskador.

BRUKSANVISNING

Montering och demontering av sågklingor

Följande sorters sågklingor går att använda i denna maskin.

Max. diam.	Min. diam.	Klingtjocklek	Sågspår
165 mm	150 mm	Högst 1,6 mm	Minst 1,9 mm

Klyvknivens tjocklek är 1,8 mm.

FÖRSIKTIGHET:

- Använd inte sågklingor som avviker från de specifikationer som anges i denna bruksanvisning.
- Använd inte sågklingor vars stamblad är tjockare eller vars tandbredd är mindre än klyvknivens tjocklek.

Demontera sågklingan genom att trycka in axellåset för att förhindra att axeln roterar, och använd sedan sexkantsnyckeln för att lossa bulten med sexkantshuvud. (Fig. 8)

Ta därefter bort den yttre flänsen, lyft skyddskåpan så långt det går, och ta bort sågklingan. (Fig. 9)

Montera den nya klingan genom att följa demonteringsanvisningen i omvänd ordning. Montera den inre flänsen, sågklingan, yttre flänsen och bulten med sexkantshuvud i den ordningen. Se till att bulten med sexkantshuvud dras åt ordentligt. (Fig. 10)

FÖRSIKTIGHET:

Använd endast Makitas hylsnyckel till att lossa eller dra åt klingbrickans fästskruv.

Justering av klyvningskniv (Fig. 11)

Använd hylsnyckeln för att lossa bulten med sexkantshuvud för justering av klyvningskniven, och lyft sedan skyddskåpan. Flytta klyvningskniven upp eller ner över de två utbuktningarna för inställning som anvisas i illustrationen, så att du erhåller lämpligt avstånd mellan klyvningskniven och sågklingan.

FÖRSIKTIGHET:

Kontrollera att klyvkniven är inställd så att: Avståndet mellan klyvkniven och sågklingans tänder inte överskrider 5 mm.

Sågklingans tänder inte sticker ut mer än 5 mm från klyvknivens underkant.

Inställning av sågdjup (Fig. 12)

Lossa vingmuttern på djupanslaget och flytta bottenplattan upp eller ner. Fäst bottenplattan med vingmuttern vid önskat sågdjup.

FÖRSIKTIGHET!

- Använd ett grundare sågdjup vid sågning av tunna arbetsstycken för renare och säkrare sågning.
- Dra alltid åt vingmuttern ordentligt efter justering av sågdjupet.

Inställning för vinkelsågning (Fig. 13)

Lossa vingmuttrarna i fram- och bakdelen och luta verktyget till önskad vinkel för vinkelsågning (0 – 45°).

Fäst vingmuttrarna i fram- och bakdelen ordentligt efter inställningen har utförts.

Riktning (Fig. 14)

Rikta in den högra skåran i bottenplattans framdel mot din såglinje på arbetsstycket, för att få raka såglinjer. Använd den vänstra skåran vid 45°-vinkelsågning.

Avtryckaren (Fig. 15)

Maskinen är försedd med en säkerhetsspärr (strömbrytare) för att förhindra att avtryckaren trycks in av misstag. Starta maskinen genom att trycka in säkerhetsspärren och trycka på avtryckaren. Släpp avtryckaren för att stanna maskinen.

FÖRSIKTIGHET:

Kontrollera alltid innan stickproppen ansluts, att strömställaren återgår till från-läget efter att ha tryckts in.

Sågning (Fig. 16)

Håll maskinen stadigt. Placera sågbordet på arbetsstycket som ska sågas utan att klingan kommer i kontakt med det. Slå på maskinen och vänta tills sågklingan kommit upp i full hastighet. För sedan helt enkelt maskinen fram över arbetsstyckets yta. Håll maskinen plant och för den jämnt framåt tills sågningen är färdig. Håll såglinjen rak och för maskinen med jämn hastighet för att få renast möjliga snittytor.

FÖRSIKTIGHET:

- Använd alltid klyvkniven utom vid dyksågning mitt i ett arbetsstycke.
- Stanna aldrig sågklingan genom att trycka på sidan av den.

Sidoanslag (Fig. 17)

Anslaget används med fördel vid snitt parallella med ytterkant och när flera bitar av samma bredd skall kapas eller klyvas. Monteras i framkant på sågbordet.

Slangfäste (Fig. 18 och 19)

Ut byt kolborstarna när de slitits ner till slitageränsmarkeringen. Byt alltid ut båda kolborstarna samtidigt.

UNDERHÅLL

ADVARSEL:

Förvissa dig alltid om att nätkabeln dragits ut ur vägguttaget och att maskinen är frånkopplad innan något arbete utförs på maskinen.

Utbyte av kolborstar (Fig. 20 och 21)

Ut byt kolborstarna när de slitits ner till slitageränsmarkeringen. Byt alltid ut båda kolborstarna samtidigt.

För att bibehålla produktens säkerhet och tillförlitlighet, bör alltid reparationer, underhållsservice och justeringar utföras av auktoriserad Makita serviceverkstad.

TILLBEHÖR

FÖRSIKTIGHET:

Dessa tillbehör och tillsatser rekommenderas för att användas tillsammans med den Makita-maskin som anges i denna bruksanvisning. Om några andra tillbehör eller tillsatser används kan det uppstå risk för personskador. Använd endast tillbehören och tillsatserna för de syften de är avsedda för.

Kontakta ditt lokala Makita servicecenter om du behöver hjälp med ytterligare detaljer om dessa tillbehör.

- Sidoanslag
- Sexkantsnyckel
- Hårdmetalklinga
Snabbare, mjukare, längre sågning utan klingslipning.
Sågar trä, gipsplattor, plast, hårt trä etc.

Diameter	Håldiameter
190 mm	20 mm eller 30 mm

Forklaring til generell oversikt

1	En typisk illustrasjon av riktig håndstøtte, arbeidsstykkestøtte og legging av strømkabel (hvis relevant).	7	Løsne	18	Tommemutter
2	For å unngå tilbakeslag må platen eller panelet som er nær kuttestedet understøttes.	8	Sagblad	19	For 45° skråskjæring
3	Støttene må ikke være for langt fra skjærestedet.	9	Ytre flens	20	For rettlinjert skjæring
4	Sekskantnøkkel	10	Indre flens	21	Bunnplate
5	Aksellås	11	Ytre flens	22	Sperreknapp
6	Stramme	12	Sekskantbolt	23	Startbryter
		13	Sagblad	24	Støvsuger
		14	Utspring for innstilling	25	Slitasjegrense
		15	Sekskantbolt (til justering av spaltekniv)	26	Børsteholderhette
		16	Skjæredybde	27	Skrutrekker
		17	Tommemutter		

TEKNISKE DATA

Modell	5604R
Blad diameter	165 mm
Maks. skjæredybde	
90°	54 mm
45°	35 mm
Hastighet (min ⁻¹)	5 000
Total lengde	320 mm
Netto vekt	3,6 kg

- Grunnet det kontinuerlige forsknings- og utviklingsprogrammet, forbeholder vi oss retten til å foreta endringer i tekniske data uten forvarsel.
- Merk: Tekniske data kan variere fra land til land.

Bruksområde

Verktøyet brukes til rettlinjert og 45° skråskjæring i tre på langs og på tvers mens det holdes i god kontakt med emnet.

Strømforsyning

Maskinen må kun koples til den spenning som er angitt på typeskiltet og arbeider kun med enfas-vekselstrøm. Den er dobbelt verneisoleret i henhold til de Europeiske Direktiver og kan derfor også koples til stikkontakter uten jording.

Sikkerhetstips

For din egen sikkerhets skyld ber vi deg lese de medfølgende sikkerhetsreglene.

SPESIFIKKE SIKKERHETSREGLER

IKKE LA HENSYNET til hva som er "behagelig" eller det faktum at du kjenner produktet godt (etter mange gangers bruk) gjøre deg mindre oppmerksom på sikkerhetsreglene for bruken av sirkelsagen. Hvis du bruker dette elektriske verktøyet på en farlig eller ukorrekt måte, kan du få alvorlige helseskader.

Fare:

- Hold hendene unna kappeområdet og bladet. Hold den andre hånden på hjelpehåndtaket eller på motorhuset.** Hvis du holder sagen med begge hendene, risikerer du ikke at de blir skåret av bladet.
- Ikke strekk hånden inn under arbeidsemnet.** Bladvernet kan ikke beskytte deg mot bladet under arbeidsstykket. Ikke forsøk å fjerne kapp mens bladet er i bevegelse.
FORSIKTIG: Bladene roterer fritt etter at maskinen er slått av. Vent til bladet stopper før du griper det materialet som er kappet.

- Juster skjæredybden til tykkelsen av arbeidsemnet.** Mindre enn en hel sagtann skal være synlig nedenfor arbeidsemnet.
- Du må aldri holde arbeidsstykket med hendene eller la det ligge tvers over bena dine. Fest arbeidsemnet til et stabilt underlag.** Det er viktig å støtte arbeidsemnet ordentlig for å gjøre risikoen minst mulig for å få skader, for at bladet skal sette seg fast, eller for at du skal miste kontrollen. (Fig. 1)
- Hold elektroverktøyet i de isolerte håndtakene når du utfører en operasjon der bladet kan komme i kontakt med skjulte ledninger eller ledningen til maskinen selv.** Kontakt med en strømførende ledning vil også gjøre uisolerte deler av maskinen strømførende og gi operatøren elektrisk støt.
- Ved kløving må du alltid bruke et parallellanlegg eller en føring med rett kant.** Dette gjør kuttet mer nøyaktig og reduserer risikoen for at bladet skal sette seg fast.
- Det må alltid brukes blader med riktig størrelse og form (diamant eller rund) på akselhullet.** Blader som ikke passer til monteringsmekanismen på sagen vil rotere med kast, og bli umulige å kontrollere.
- Bruk aldri ødelagte eller feilaktige skiver eller skrue til bladet.** Både skivene og skruen til bladet ble utviklet spesielt for din sag, for å gi optimal ytelse og maksimal driftssikkerhet.
- Årsaker til tilbakeslag og hvordan operatøren kan forhindre dette:**
 - Tilbakeslag er en plutselig reaksjon på et klemt, fastsittende eller feiljustert sagblad, som kan føre til at en sag som ikke holdes godt fast blir løftet opp og ut av arbeidsemnet, og mot operatøren.
 - Når bladet kommer i klem eller setter seg fast ved at snittet lukker seg, stopper bladet, og motoren driver enheten hurtig tilbake mot operatøren.
 - Hvis bladet blir vridd eller feiljustert i snittet, vil tennene i bakkant av bladet grave seg inn i den øvre kanten av arbeidsemnet, slik at bladet arbeider seg ut av snittet og spretter tilbake mot operatøren.

Tilbakeslag er et resultat av feil bruk av sagen og/ eller feilaktige arbeidsprosedyrer eller arbeidsforhold, og kan unngås hvis man tar de rette forholdsregler (se nedenfor).

- **Hold sagen i et fast grep med begge hender, og hold armene dine slik at de kan motstå kraften fra sagen i tilfelle den slår tilbake mot deg. Pass på at du har kroppen på den ene eller andre siden av bladet, men ikke på linje med bladet.** Tilbakeslag kan få sagen til å hoppe bakover, men kreftene i tilbakeslaget kan kontrolleres av operatøren, hvis vedkommende tar sine forholdsregler.
- **Når bladet setter seg fast, eller når du av en eller annen grunn vil avbryte sagingen, må du slippe startbryteren og holde sagen stille i materialet inntil bladet har stoppet helt. Du må aldri forsøke å fjerne sagen fra arbeidsemnet eller å trekke den bakover mens bladet er i bevegelse, da dette kan få sagen til å slå tilbake mot deg.** Undersøk hvorfor bladet setter seg fast og sett i verk avhjelpende tiltak.
- **Når du starter sagen i arbeidsemnet igjen, må du sentrere sagbladet i snittet og kontrollere at sagtenne ikke sitter i materialet.** Hvis sagbladet sitter fast, kan det komme opp eller føre til at sagen slår tilbake mot deg når den startes igjen.
- **Støtt opp større plater for å redusere risikoen så mye som mulig for at bladet kommer i beknip, og for tilbakeslag.** Større plater har en tendens til å bøye seg under sin egen vekt. Støtene må plasseres under platen på begge sider, nær kappelinjen og nær kantene av platen.
- **Å redusere risikoen så mye som mulig for at bladet kommer i beknip, og for tilbakeslag.** Når en arbeidsoperasjon krever at sagen hviler på arbeidsemnet, bør sagen settes på den største delen av arbeidsemnet, og den minste delen skjæres av. (Fig. 2 og 3)
- **Ikke bruk sløve eller ødelagte blader.** Uskarpe eller feilaktig innstilte blader gir trangt snitt, noe som forårsaker kraftig friksjon, får bladet til å sette seg fast og resulterer i at maskinen slår tilbake mot operatøren. Hold bladet skarpt og rent. Harpiks og bek som størkner på bladene reduserer turtallet på sagen og øker risikoen for tilbakeslag. Hold bladet rent ved først å ta det av verktøyet og deretter gjøre det rent med en harpiks- og bekfjerner, varmt vann eller parafin. Du må aldri bruke bensin.
- **Bladdybden og låsehendene for avfasingjusteringen må være strammet og festet for snittet gjøres.** Hvis justeringen av bladet endrer seg under sagingen, kan bladet sette seg fast, noe som kan få maskinen til å slå tilbake mot operatøren.
- **Vær ekstra forsiktig når du foretar et innstikk i eksisterende vegger eller andre områder uten innsyn.** Det fremstikkende bladet kan treffe gjenstander som kan forårsake tilbakeslag. I forbindelse med innstikk må det nedre vernet trekkes tilbake ved hjelp av hevehendelen.
- **Verktøyet MÅ ALLTID holdes fast med begge hender. Du må ALDRI plassere hånden din eller fingrene dine bak sagen.** Hvis det skjer et tilbakeslag, kan sagen lett komme til å hoppe bakover over hånden din og forårsake alvorlige helseskader. (Fig. 4)

- **Bruk aldri makt på sagen. Hvis du bruker makt på sagen, kan det gi ujevne snitt, dårligere nøyaktighet og muligheter for tilbakeslag.** Skyv sagen fremover med en slik hastighet at bladet skjærer uten å miste fart.
- 10. **Kontroller at det nedre vernet er ordentlig lukket før bruk. Ikke begynn å bruke sagen hvis det nedre vernet ikke beveger seg fritt og lukker seg momentant. Det nedre vernet må aldri klemmes fast eller bindes opp i åpen stilling.** Hvis sagen ved et ulykkestilfelle skulle falle ned, kan det nedre vernet bli bøyd. Løft det nedre vernet med hevehendelen og forviss deg om at det beveger seg fritt og ikke berører bladet eller andre deler, uansett snittvinkel eller -dybde. For å kontrollere det nedre vernet må du åpne det med hånden, løsne det og iakttå hvordan vernet lukker seg. Kontroller også at hevehendelen ikke berører verkøyhuset. Det er MEGET FARLIG å gå fra et utildekket sagblad, da dette kan føre til alvorlige helseskader.
- 11. **Kontroller at fjæren til det nedre vernet virker som den skal. Hvis vernet og fjæren ikke fungerer som de skal, må de etteres før bruk.** Det nedre vernet kan gå tregt pga. ødelagte deler, gummiavleiringer eller opphopning av spon.
- 12. **Det nedre vernet bør trekkes tilbake manuelt bare i forbindelse med spesielle typer snitt, som f.eks. innstikk og kombinasjonssaging.** Hev det nedre vernet ved hjelp av hevehendelen og slipp det så snart bladet går inn i materialet. For all annen saging bør det nedre vernet få lov til å fungere automatisk.
- 13. **Se alltid etter at det nedre vernet dekker bladet før du setter sagen på arbeidsbenken eller gulvet.** Et ubeskyttet, roterende blad vil få maskinen til å bevege seg bakover mens bladet kapper alt som kommer i dets vei. Vær oppmerksom på at bladet trenger en viss tid for å stoppe etter at bryteren er sluppet. Før du setter verktøyet ned etter å ha fullført et kutt, må du forvisse deg om at det nedre vernet er lukket og at bladet har stoppet helt.
- 14. **Bruk den spaltekniven som passer til det bladet som brukes.** For at spaltekniven skal fungere, må den være tykkere enn bladkroppen, men tynnere enn tanndelen av sagbladet.
- 15. **Juster spaltekniven som beskrevet i denne bruksanvisningen.** Feilaktig avstand, plassering og justering kan gjøre spaltekniven uegnet til å motvirke tilbakeslag (kickback).
- 16. **Spaltekniven må brukes ved alt arbeid unntatt innstikk.** Spaltekniven må monteres igjen etter innstikksaging. Spaltekniven forårsaker interferens under innstikksaging, og kan forårsake tilbakeslag (kickback).
- 17. **For at spaltekniven skal fungere, må den ha kontakt med arbeidsemnet.** Ved korte snitt er spaltekniven lite effektiv når deg gjelder å motvirke tilbakeslag.
- 18. **Ikke bruk sagen hvis spaltekniven er bøyd.** Selv en svak interferens kan få et vern til å lukke seg saktere enn det skal.
- 19. **Vær spesielt forsiktig når du sager fuktig tre, trykkbehandlet tømmer eller tre med kvist.** Juster skjærehastigheten slik at verktøyet beveger seg jevnt fremover uten at bladhastigheten reduseres.
- 20. **Unngå å sage i spikre. Se etter og fjern alle spikere fra arbeidsemnet før arbeidet påbegynnes.**

21. Sett den bredeste delen av sagfoten på den delen av arbeidsemnet som er godt støttet opp, ikke på den delen som kommer til å falle av når snittet er fullført. Fig. 5 viser den RIKTIGE måten å kappe enden av et bord på, og fig. 6 den GALE måten. Hvis arbeidsemnet er kort eller lite, må det klemmes fast. IKKE FORSØK Å HOLDE KORTE STYKKER I HÅNDEN! (Fig. 5 og 6)
22. Forsøk aldri å sage mens sirkelsagen holdes opp ned i en skrustikke. Dette er ekstremt farlig og kan forårsake alvorlige ulykker. (Fig. 7)
23. Enkelte materialer inneholder kjemikalier som kan være giftige. Treff tiltak for å hindre hudkontakt og innånding av støv. Følg leverandørens sikkerhetsanvisninger.
24. Ikke stopp bladene ved å presse sideveis på sagbladet.
25. Bruk alltid blader anbefalt i denne håndboken. Ikke bruk slipeskiver.
26. Bruk en støvmaske og hørselvern når du bruker verktøyet.

TA VARE PÅ DISSE INSTRUKSENE.

ADVARSEL:

MISBRUK av verktøyet eller mislighold av sikkerhetsreglene i denne brukerhåndboken kan resultere i alvorlige helseskader.

BRUKSANVISNINGER

Demontering og montering av sagblad

Følgende sagblad kan brukes med denne maskinen.

Maks. diam.	Min. diam.	Bladtykkelse	Hakk
165 mm	150 mm	1,6mm eller mindre	1,9mm eller mer

Spalteknivens tykkelse er 1,8 mm.

NB!

- Det må ikke benyttes sagblad som ikke etterkommer de spesifiserte egenskapene i denne veiledningen.
- Det må ikke benyttes sagblad hvor skiven er tykkere eller sett som er mindre enn spalteknivens tykkelse.

Bladet demonteres ved å trykke inn aksellåsen så akselen ikke kan rotere, og så bruke sekskantnøkkelen til å løsne sekskantbolten. (Fig. 8)

Fjern deretter ytre flens og løft opp sikkerhetsdekslet så sagbladet kan fjernes. Sagbladet monteres ved å følge demonteringsprosedyren i omvendt rekkefølge. (Fig. 9)

Monter indre flens, sagblad, ytre flens og sekskantnøkkel i den rekkefølgen. Pass på å stramme sekskantbolten forsvarlig. (Fig. 10)

NB!

- Sørg for at taggene på bladet vender framover i samme retning som rotasjonsretningen (pilen på bladet skal peke i samme retning som pilen på maskinen).
- Bruk kun Makitas originale pipenøkkel ved montering eller demontering av sagblad.

Justering av spaltekniven (Fig. 11)

Bruk pipenøkkelen til å løse sekskantbolten for justering av spaltekniven, og løft deretter opp sikkerhetsdekslet. Beveg spaltekniven opp eller ned over de to utspringene for innstilling, vist i illustrasjonen, så korrekt klaring mellom spaltekniven og sagbladet oppnås.

NB!

Sørg for å justere spaltekniven slik at: Avstanden mellom spaltekniven og sagtennene ikke er mer enn 5 mm. Sagtennene ikke går lenger enn 5 mm utenfor den nederste kanten på spaltekniven.

Justering av skjæredybden (Fig. 12)

Løsne tommemutteren på dybdeføringen og beveg foten opp eller ned. Ved ønsket skjæredybde festes foten ved å stramme tommemutteren.

NB!

- For renere og sikrere skjæring, brukes en grunn skjæredybde når det skal skjæres tynne materialer.
- Etter at skjæredybden er justert, må tommeskruen strammes forsvarlig.

Justering for skråskjæring (Fig. 13)

Løsne tommemutterne foran og bak og vipp verktøyet til ønsket skråvinkel (0 – 45°). Fest tommemutterne forsvarlig foran og bak etter at justeringen er gjort.

Sikting (Fig. 14)

Ved skjæring av rette linjer tilpasses hakket foran på foten med skjærelinjen p å arbeidsemnet.

For 45° skråskjæring, tilpasses venstre hakk med skjærelinjen.

Bryter (Fig. 15)

For å unngå at maskinen startes ved et uhell, er den utstyrt med en sperreknapp.

Maskinen startes ved å trykke inn sperreknappen og så trykke på startbryteren. Slipp bryteren for å stanse maskinen.

NB!

Før støpslet settes i stikkkontakten, må du alltid kontrollere at bryteren virker som den skal og går tilbake til "OFF" (AV) når den slippes.

Bruk (Fig. 16)

Hold godt fast i maskinen. Sett underlagsplaten på arbeidsemnet uten at bladet berøres. Slå maskinen på og vent til bladet har oppnådd full hastighet. Nå beveges maskinen ganske enkelt framover over arbeidsemnet samtidig som du passer på å holde maskinen flatt og beveger den jevnt til sagingen er gjort. Rene skjæreflater oppnår du ved å skjære i rett linje og med ens hastighet hele tiden.

NB!

- Spaltekniven må alltid brukes unntatt ved innstikk midt i arbeidsemnet.
- Stopp ikke sagbladet ved å legge trykk på den ene siden av skiven.

Parallellanlegg (Fig. 17)

En praktisk innretning som hjelper deg til å skjære rette linjer enda mer nøyaktig. Skyv ganske enkelt parallellanlegget tett opp til arbeidsstykkets side og fest det på plass med skruen foran på underlaget eller foten. Med parallellanlegget kan du dessuten skjære gjentatte ganger med samme bredde.

Skjøte (Fig. 18 og 19)

(for tilkopling til støvsuger)

For renere skjærearbeid kan du kople en støvsuger til verktøyet. Kople deretter en støvsuger til skjøtet.

SERVICE

NB!

Før servicearbeider utføres på maskinen må det passes på at denne er slått av og at støpselet er trukket ut av stikkkontakten.

Skifte av kullbørster (Fig. 20 og 21)

Skifte av kullbørstene når de er slitt ned til grensemarkeringen. Begge kullbørstene må skiftes ut samtidig.

For å garantere at maskinen arbeider sikkert og pålitelig bør reparasjoner, servicearbeider eller innstillinger utføres av et autorisert Makita-serviceverksted.

TILBEHØR

NB!

Tilleggsutstyr eller tilbehør som anbefales for din Makita-maskin er spesifisert i denne bruksanvisningen. Bruk av annet tilleggsutstyr eller tilbehør enn dette kan øke risikoen for personskader. Tilleggsutstyr eller annet tilbehør må bare brukes for de formål det er beregnet for.

Hvis du har behov for flere detaljer som gjelder dette ekstrautstyret, spør ditt lokale Makita servicesenter om hjelp.

- Parallellanlegg
- Sekskantnøkkel
- Karbidbelagt sagblad

Raskere, jevnere, lengre saging uten bladkvesing.
Sager tre, gipsplater, plast, hardt tre, etc.

Diameter	Hulldiameter
190 mm	20 mm eller 30 mm

Yleiselustus

1	Tyypillinen kuva oikeasta otteesta, työkappaleen tukemisesta ja virtajohdon kulusta (jos tarpeen).	7	Löysty	18	Siipimutteri
2	Tue lauta tai levy sahauskohdan läheltä estääksesi takaiskun.	8	Sahanterä	19	Viistesahaukselle 45° kulmassa
3	Älä tue lautaa tai levyä kaukaa sahauskohdasta.	9	Ulkolaippa	20	Suoralle sahauskelle
4	Kuusioavain	10	Sisälaippa	21	Jalustalevy
5	Karalukitus	11	Ulkolaippa	22	Lukituksen vapautuskytkin
6	Kirstyty	12	Kuusiopultti	23	Liipaisinkytkin
		13	Sahanterä	24	Pölynimuri
		14	Säätökohoumat	25	Rajamerkki
		15	Kuusiopultti (halkaisuterän säätöä varten)	26	Harjanpitimen kansi
		16	Sahaussyvyys	27	Ruuvitalta
		17	Siipimutteri		

TEKNISET TIEDOT

Malli	5604R
Terä läpimitta	165 mm
Suurin sahausvyvyys	
90° kulma	54 mm
45° kulma	35 mm
Tyhjäkäyntinopeus (k/min.)	5 000
Kokonaispituus	320 mm
Nettopaino	3,6 kg

- Jatkuvan tutkimus- ja kehitysohjelman vuoksi pidämme oikeuden muuttaa tässä mainittuja teknisiä ominaisuuksia ilman ennakoilmoitusta.
- Huomautus: Tekniset ominaisuudet saattavat vaihdella eri maissa.

Käyttötarkoitus

Kone on tarkoitettu pitkittäisten ja viistojen suurien sahausten ja 45° jiirisahausten tekemiseen puuhun siten, että kone on kunnolla kiinni työkappaleessa.

Virransyöttö

Laitteen saa kytkeä ainoastaan virtalähteeseen, jonka jännite on sama kuin tyypikkiluvussa ilmoitettu. Laitetta voidaan käyttää ainoastaan yksivaiheisella vaihtovirralla. Laitte on kaksinkertaisesti suojaeristetty eurooppalaisten standardien mukaisesti, ja se voidaan tästä syystä liittää maadoittamattomaan pistorasiaan.

Turvaohjeita

Oman turvallisuutesi vuoksi lue mukana seuraavat turvaohjeet.

ERITYISIÄ TURVALLISUUSOHJEITA

ÄLÄ anna mukavuuden tai (toistuvan käytön tuoman) tottumuksen tuoteeseen korvata pyörösaahan turvallisuusohjeiden ehdotonta noudattamista. Jos tätä sähkötyökälyä käytetään turvattomasti tai virheellisesti, seurauksena voi olla vakava loukkaantuminen.

Vaara:

1. **Pidä kädet loitolla sahausalueelta ja terästä. Pidä toinen käsi apukahvalla tai moottorin kotelolla.** Jos konetta pidetään molemmin käsin, niitä ei voi leikata terällä.
2. **Älä kurota työkappaleen alle.** Suojus ei voi suojata terältä työkappaleen alla. Älä irrota irtisahattua materiaalia terän liikkeessä.
VAROITUS: Terät pyörivät sammuttamisen jälkeen. Älä tartu materiaaliin ennen kuin terät ovat pysähtyneet.

3. **Säädä sahausvyvyys työkappaleen paksuuden mukaisesti.** Työkappaleen alta tulee jäädä näkyviin vähemmän kuin koko hammas.
4. **Älä koskaan pidä sahattavaa kappaletta käsissä tai jalan päällä. Kiinnitä työkappale vakaalle alustalle.** Työkappaleen kunnollinen tukeminen on tärkeää, jotta ruumiinosat eivät altistu terälle, terä ei jumiuudu ja jotta ei menetetä koneen hallintaa. (Kuva 1)
5. **Tartu koneeseen eristetyistä tartuntapinnoista tehdeksäsi työtä, jossa leikkaava kone voi osua piilossa oleviin johtoihin tai omaan virtajohdottoonsa.** Jännitteeseen johtoon osuminen saa koneen esillä olevat metalliosat jännitteisiksi ja aiheuttaa käyttäjälle sähköiskun.
6. **Käytä halkaisun yhteydessä aina halkaisuohtajainta tai suoraohjainta.** Tämä parantaa sahauskarkkuutta ja vähentää terän jumiumutuksen riskiä.
7. **Käytä aina akselin reikien mukaan sopivan kokoisia ja muotoisia (suunnikas tai pyöreä) teriä.** Koneen kiinnitykseen sopimattomat terät pyörivät epäkeskisesti ja aiheuttavat hallinnan menettämisen.
8. **Älä koskaan käytä voittoneita tai vääriä terän aluslevyjä tai ruuvia.** Terän aluslevyt ja ruuvi on suunniteltu erityisesti tuottamaan tälle koneelle ihan-teellinen suorituskyky ja käyttöturvallisuus.
9. **Takapotkun syyt ja estäminen:**
 - takapotku on puristuksiin tai jumiin jääneen tai vinoon asennetun sahanterän äkillinen rekyyli, joka nostaa koneen hallitsemattomasti ylös ja irti työkappaleesta käyttäjää kohti.
 - jos terä on puristuksissa tai sulkeutuvan uran tiukasti jumittama, terä pysähtyy ja moottorin rekyyli työntää laitteen nopeasti taaksepäin käyttäjää kohti.
 - jos terä vääntyy tai joutuu vinoon sahauskarkun aikana, terän takaosan hampaat voivat pureutua työkappaleen yläpintaan, mikä saa terän nousemaan irti urasta ja hyppäämään taaksepäin käyttäjää kohti.

Takapotku johtuu koneen virheellisestä käytöstä ja/ tai vääristä työtavoista tai -oloista. Takapotkun voi välttää noudattamalla alla mainittuja varotoimenpiteitä.

- **Pitele konetta tiukasti molemmin käsin ja pidä käsivarret sellaisessa asennoissa, että ne vastustavat takapotkun voimaa. Pidä vartalosi terän jommallakummalla puolella, ei siis terän kanssa samassa linjassa.** Takapotku voi heittää koneen taaksepäin, mutta takapotkun voiman voi hallita, kun noudatetaan varotoimenpiteitä.
- **Jos terä tarttuu tai jos sahaus keskeytetään jostain syystä, vapauta liipaisin ja pitele konetta paikallaan työkappaleessa, kunnes terä on kokonaan pysähtynyt. Älä koskaan irrota konetta työkappaleesta äläkä vedä konetta taaksepäin terän ollessa liikkeessä, jotta takapotkua ei syntyisi.** Tarkista tilanne ja korjaa terän tarttumisen aiheuttaja.
- **Kun käynnistät koneen työkappaleessa, keskitä sahanterä uraan ja tarkista, että sahan hampaat eivät kosketa materiaalia.** Jos sahan hampaat tarttuvat, terä voi kulkea ylös tai iskeä takaisin työkappaleesta, kun kone käynnistetään uudelleen.
- **Tue suuret levyt minimoidaksesi terän puristumisen ja takapotkun vaaran.** Suurilla levyillä on taipumus painua notkolle omasta painostaan. Levyn alle on asetettava tuet molemmille puolille sahauslinjan ja levyn reunan lähelle.
- Jos sahaaminen edellyttää sahan asettamisen työkappaleen päälle, saha tulee asettaa suuremman puolen päälle ja pienempi puoli sahata irti. Näin minimoidaan terän puristumisen ja takapotkun vaara. (Kuva 2 ja 3)
- **Älä käytä tylsiä tai vioittuneita teriä.** Teroittamattomat tai virheellisesti asetetut terät tuottavat kapean uran, mikä aiheuttaa liikaa kitkaa, terän jumitumista ja takapotkun. Pidä terä terävänä ja puhtaana. Terälle kovettunut sakka ja puun pihka hidastaa terää ja lisää takapotkun todennäköisyyttä. Puhdista terä irrottamalla se ensin koneesta, puhdista se sakan ja pihkan poistajalla, kuumalla vedellä tai kerosiinilla. Älä koskaan käytä bensiiniä.
- **Terän syvyyden ja viisteen säädön lukitusvipujen tulee olla tiukasti kiinni ennen sahaamista.** Jos terän säätö siirtyy sahausajan aikana, tämä voi aiheuttaa puristumisen ja takapotkun.
- **Ole erityisen varovainen tehdessäsi ”opposahausta” seiniin tai muihin piilossa oleviin rakenteisiin.** Ulos työntyvä terä voi osua takapotkun aiheuttaviin esineisiin. Kun teet opposahausta, vedä alasuojus esiin vetokahvan avulla.
- **Pitele konetta AINA tukevasti molemmin käsin. ÄLÄ KOSKAAN pidä kättä tai sormia sahan takana.** Jos kone potkaisee taakse, saha hypähtää helposti taaksepäin käden päälle aiheuttaen vakavan loukkaantumisen. (Kuva 4)
- **Älä koskaan pakota sahaa.** Sahan pakottaminen voi aiheuttaa epätasaisen sahausjäljen, tarpeekuuden menettämisen ja takapotkun. Paina sahaa eteenpäin sellaisella nopeudella, että terä sahaa hidastumatta.

10. **Tarkista ennen jokaista käyttöä, että alasuojus sulkeutuu kunnolla. Älä käytä sahaa, jos alasuojus ei liiku vapaasti ja sulkeudu välittömästi. Älä koskaan purista tai sido alasuojusta pysymään auki.** Jos saha putoaa vahingossa, alasuojus voi vääntyä. Nosta alasuojusta vetokahvan avulla ja varmista, että se liikkuu vapaasti ja että se ei kosketa terää tai muita osia missään kulmassa tai sahausvytydessä. Tarkista alasuojus avaamalla alasuojus käsin, vapauttamalla se ja katsomalla suojuksen sulkeutuvan. Tarkista myös, että vetokahva ei osu koneen koteloon. Terän jättäminen esiin on ERITTÄIN VAARALLISTA ja se voi johtaa vakavaan loukkaantumiseen.
11. **Tarkista alasuojuksen jousen toiminta. Jos suojus ja jousi eivät toimi oikein, ne on huolattava ennen käyttöä.** Alasuojus voi toimia takkuillen viallsista osista, kumimaisesta sakasta tai roskien kertymisestä johtuen.
12. **Alasuojus tulee nostaa käsin vain erityistilanteissa kuten ”opposahauksessa” ja ”yhdistelmäsaahuksessa”.** Nosta alasuojus vätämällä kahvasta. Alakahva on vapautettava heti, kun terä työntyy materiaaliin. Alasuojuksen pitäisi toimia automaattisesti kaikissa muissa tiloissa.
13. **Varmista aina ennen koneen työpöydälle tai lattialle laskemista, että alasuojus peittää terän.** Suojaamaton pyörivä terä saa koneen kulkemaan taaksepäin, jolloin se leikkaa kaiken tielleen osuvan. Huomioi kytkimen vapauttamisesta terän pysähtymiseen kulua aika. Kun sahaus on valmis, varmista ennen koneen laskemista alas, että alasuojus on sulkeutunut ja että terä on kokonaan pysähtynyt.
14. **Käytä terälle sopivaa halkaisuterää.** Jotta halkaisuterä toimisi, sen tulee olla paksumpi kuin terän runko, mutta ohuempi kuin terän hampaat.
15. **Säädä halkaisuterä tässä ohjekirjassa kuvatulla tavalla.** Virheellinen asetus, asentaja tai suuntaus voi estää halkaisuterää toimimasta takaiskun ehkäisemiseksi.
16. **Käytä halkaisuterää aina paitsi opposahauksessa.** Halkaisuterä tulee palauttaa paikalleen opposahauksen jälkeen. Halkaisuterä häiritsee opposahauksen aikana ja voi aiheuttaa takaiskun.
17. **Jotta halkaisuterä toimisi, sen tulee olla kiinni työkappaleessa.** Halkaisuterä ei estä takaiskua lyhyen sahausajan yhteydessä.
18. **Älä käytä sahaa, jos halkaisuterä on vääntynyt.** Vähäinenkin häiriö voi hidastaa suojuksen sulkeutumista.
19. **Ole erityisen varovainen sahatessasi märkää puuta, painekyllästettyä puutavaraa tai oksankohitia sisältävää puuta.** Säädä sahausnopeutta siten, että kone etenee tasaisesti ilman että terä hidastuu.
20. **Varo sahaamista nauloihiin.** Tarkista työkappale ennen sahaamista ja poista kaikki naulat.
21. **Aseta sahan jalustan leveämpi puoli työkappaleen tukevasti tuetulle puolelle, ei sille puolelle, joka irtoaa, kun sahaus on valmis.** Esimerkiksi kuvassa 5 esitetään OIKEA tapa leikata levyn pääty kun taas kuvassa 6 esitetään VÄÄRÄ tapa. Jos työkappale on lyhyt tai pieni, kiinnitä se paikalleen puristimella. ÄLÄ PIDÄ PIENTÄ KAPPALETTA KÄSISSÄ! (Kuva 5 ja 6)

22. Älä koskaan sahaa pyörösahan ollessa ylösalaisin höyläpenkissä. Tämä on erittäin vaarallista ja voi johtaa vakavaan onnettomuuteen. (Kuva 7)
23. Jotkin materiaalit voivat sisältää myrkyllisiä kemikaaleja. Varaudu käyttämällä hengityssuojainta ja estämällä ihokosketus. Noudata materiaalin toimittajan turvallisuusohjeita.
24. Älä pysäytä teriä painamalla niitä sivulta.
25. Käytä aina tässä ohjekirjassa suositeltuja teriä. Älä käytä mitään hiomalaikkoja.
26. Käytä hengitys- ja kuulosuojainta, kun käytät konetta.

SÄILYTÄ NÄMÄ OHJEET.

VAROITUS:

VÄÄRINKÄYTTÖ tai tässä ohjekirjassa mainittujen turvaohjeiden noudattamatta jättäminen voi aiheuttaa vakavan loukkaantumisen.

KÄYTTÖOHJEET

Terän irrottaminen ja kiinnittäminen

Tässä laitteessa voidaan käyttää seuraavia teriä.

Suurin läpimitta	Pienin läpimitta	Terän paksaus	Sahausleveys
165 mm	150 mm	1,6 mm tai alle	1,9 mm tai yli

Halkaisuterän paksaus on 1,8 mm.

VARO:

- Älä käytä sahanteriä, jotka eivät vastaa näissä ohjeissa määritellyjä ominaisuuksia.
- Älä käytä sahanteriä, joiden kehä on paksumpi tai joiden haritus on pienempi kuin halkaisuterän paksaus.

Sahanteriä irrotetaan seuraavasti. Estä karan pyöriminen painamalla karalukitusta ja löysennä sitten kuusiopultti kuusioavaimella. (Kuva 8)

Irrota seuraavaksi ulkolaippa ja nosta turvasuojusta niin paljon kuin mahdollista. Irrota sitten sahanteriä. (Kuva 9)

Sahanteriä kiinnitetään tekemällä irrotustoimet päinvastaisessa järjestyksessä. Kiinnitä sisälaippa, sahanteriä, ulkolaippa ja kuusiopultti tässä järjestyksessä. Muista kiristää kuusiopultti tiukasti. (Kuva 10)

VARO:

- Varmista, että sahan hampaat osoittavat samaan suuntaan kuin mihin kone pyörii (terässä olevan nuolen tulee osoittaa samaan suuntaan kuin laitteessa oleva nuoli).
- Käytä ainoastaan Makitan hylsyavainta terän irrottamiseen ja kiinnittämiseen.

Halkaisuterän säätäminen (Kuva 11)

Löysennä halkaisuterän säätöä varten oleva kuusiopultti kuusioavaimella ja nosta sitten turvasuojasta. Siirrä halkaisuterää ylös tai alas kuvassa näkyvien kahden säätökohouman päälle siten, että halkaisuterän ja sahanterän välinen etäisyys tulee sopivaksi.

VARO:

Varmista, että halkaisuterä on säädetty siten, että: Halkaisuterän ja sahanterän hammasetun kehän väli on enintään 5 mm. Hammastettu kehä ei ulotu yli 5 mm halkaisuterän alareunan ulkopuolelle.

Sahaussyvyyden säätäminen (Kuva 12)

Löysennä syvyystulkissa olevaa siipimutteriä ja siirrä alustaa ylös tai alas. Kiinnitä alusta haluamaasi sahaus-syvyyteen kiristämällä siipimutteriä.

VARO:

- Käytä matalaa sahaus-syvyyyttä, kun sahaat ohutta työ-kappaletta. Näin sahausjäljestä tulee siistimpi ja sahaaminen on turvallisempaa.
- Kun olet säätänyt sahaus-syvyuden, kiristä siipimutteri aina tiukasti.

Viistesahauksen säätäminen (Kuva 13)

Löysennä edessä ja takana olevia siipimuttereita ja kierrä työkalua haluamaasi viistesahauskulmaan (0 – 45°). Kiristä edessä ja takana olevat siipimutterit tiukasti säädön tekemisen jälkeen.

Suuntaaminen (Kuva 14)

Kun haluat sahata suoraan, aseta alustan etuosan oikeanpuoleinen ura samansuuntaiseksi työkappaleen sahauslinjan kanssa.

Kun haluat sahata 45° kulmassa, aseta vasemmanpuoleinen ura samansuuntaiseksi sahauslinjan kanssa.

Kytkimen käyttäminen (Kuva 15)

Jotta välttyttäisiin liipaisimen tahattomalta painamiselta, laite on varustettu lukituksen vapautuspainikkeella.

Laite käynnistetään painamalla lukituksen vapautuspainike pohjaan ja painamalla sitten liipaisinkytkintä. Laite pysähtyy vapautettaessa liipaisinkytkin.

VARO:

Ennen kuin liität laitteen virtalähteeseen, varmista aina että liipaisinkytkin toimii moitteettomasti ja että se vapautettaessa palautuu "OFF" -asentoon.

Sahan käyttäminen (Kuva 16)

Ota laitteesta tukeva ote. Aseta aluslevy sahattavalle työkappaleelle siten, että terä ei kosketa siihen. Käynnistä laite ja odota, kunnes terä saavuttaa täyden käyntinopeuden. Siirrä yksinkertaisesti laitetta eteenpäin pitkin työkappaleen pintaa pitäen sen tasaisena työkappaletta vasten. Etene tasaisesti sahausksen loppuun asti. Sahausjäljestä tulee siisti, kun pidät sahauslinjan suorana ja etenemisnopeuden tasaisena.

VARO:

- Halkaisuterää tulee käyttää aina paitsi aloitettaessa sahaus keskeltä työkappaletta.
- Älä pysäytä sahanteriä painamalla sitä sivulta.

Ohjaustulkki (Kuva 17)

Kätevän ohjaustulkin avulla saat sahattua erityisen suoraan. Siirrä yksinkertaisesti ohjaustulkki tiukasti kiinni työkappaleen reunaan ja kiinnitä se paikalleen alustan etuosassa olevalla ruuvilla. Ohjaustulkin avulla voit myös sahata useita samanlevyisiä kappaleita.

Liitoskappale (Kuva 18 ja 19)

(pölynimurin liittämistä varten)

Kun haluat työskentelyn olevan siistiä, liitä työkaluun imuri. Liitä sitten pölynimuri liitoskappaleeseen.

HUOLTO

HUOMUUTUS:

Ennen koneelle tehtäviä huoltotoimia on varmistettava, että se on sammutettu ja irrotettu virtalähteestä.

Hiilien vaihto (Kuva 20 ja 21)

Hiilet on vaihdettava kun ne ovat kuluneet kulumisrajaan. Hiilet on vaihdettava aina parittain.

Laitteen käyttövarmuuden ja turvallisuuden vuoksi korjaukset ja muut huolto- ja säätötyöt saa suorittaa ainoastaan Makitan hyväksymä huoltopiste.

LISÄVARUSTEET

VARO:

Näitä lisävarusteita ja -laitteita suositellaan käytettäväksi tässä ohjekirjassa mainitun Makitan koneen kanssa. Minkä tahansa muun lisävarusteen tai -laitteen käyttäminen voi aiheuttaa loukkaantumisvaaran. Käytä lisävarusteita ja -laitteita vain niiden käyttötarkoituksen mukaisesti.

Jos tarvitset apua tai yksityiskohtaisempia tietoja seuraavista lisävarusteista, ota yhteys paikalliseen Makitan huoltoon.

- Ohjaustulkki
- Kuusioavain
- Karbidikärkinen sahanterä
Nopeampi, tasaisempi, pidempi sahaus ilman teroitamista.
Sahaa puuta, rakennuslevyjä, muovia, jalopuuta yms.

Läpimitta	Reiän läpimitta
190 mm	20 mm tai 30 mm

Περιγραφή γενικής άποψης

1	Τυπική απεικόνιση της κατάλληλης στήριξης χεριών, στήριξης αντικειμένου εργασίας και διαδρομής ηλεκτρικού καλωδίου (αν υπάρχει).	5	Κλειδώμα άξονα	17	Βίδα χειρός
2	Για την αποφυγή κλωστήματος προς τα πίσω υποστηρίξτε την σανίδα ή τις πλάκες κοντά στο κόψιμο	6	Σφίξτε	18	Βίδα χειρός
3	Μην υποστηρίζετε την σανίδα ή τις πλάκες μακριά από το κόψιμο	7	Χαλαρώστε	19	Για λοξές κοπές 45
4	Εξαγωνικό κλειδί	8	Λάμα τροχού	20	Για ευθείες κοπές
		9	Εξωτερική φλάντζα	21	Πλάκα βάσης
		10	Εσωτερική φλάντζα	22	Κουμπί απασφάλισης
		11	Εξωτερική φλάντζα	23	Σκανδάλη διακόπτης
		12	Βίδα εξαγωνικής κεφαλής	24	Ηλεκτρική σκούπα
		13	Λάμα τροχού	25	Σημάδι ορίου
		14	Ρύθμιση προεξοχής	26	Κάλυμμα συγκρατητή
		15	Βίδα εξαγωνικής κεφαλής (για ρύθμιση του μαχαιριού κοπής)	27	Βούρτσας
		16	Βάθος κοπής		Κατσαβίδι

ΤΕΧΝΙΚΑ ΧΑΡΑΚΤΗΡΙΣΤΙΚΑ

Μοντέλο	5604R
Διάμετρος λάμας	165 χιλ
Μεγ. βάθος κοπής	
Σε 90	54 χιλ
Σε 45	35 χιλ
Ταχύτητα χωρίς φορτίο (ΣΑΛ)	5.000
Ολικό μήκος	320 χιλ
Καθαρό βάρος	3,6 Χγρ

- Λόγω του συνεχιζόμενου προγράμματος έρευνας και ανάπτυξης, οι παρούσες προδιαγραφές υπόκεινται σε αλλαγή χωρίς προειδοποίηση.
- Παρατήρηση: Τα τεχνικά χαρακτηριστικά μπορεί να διαφέρουν από χώρα σε χώρα.

Προοριζόμενη χρήση

Το εργαλείο προορίζεται για εκτέλεση κατά μήκος και σταυροειδώς ευθυγράμμων κοπών και λοξών κοπών με γωνίες μέχρι 45 μοίρες σε ξύλο ενώ βρίσκεται σε σταθερή επαφή με το αντικείμενο εργασίας.

Ρευματοδότηση

Το μηχάνημα πρέπει να συνδέεται μόνο σε παροχή ρεύματος της ίδιας τάσης με αυτή που αναφέρεται στην πινακίδα κατασκευαστού και μπορεί να λειτουργήσει μόνο με εναλλασσόμενο μονοφασικό ρεύμα. Τα μηχανήματα αυτά έχουν διπλή μόνωση σύμφωνα με τα Ευρωπαϊκά Πρότυπα και κατά συνέπεια, μπορούν να συνδεθούν σε ακροδέκτες χωρίς σύρμα γείωσης.

Υποδείξεις ασφάλειας

Για την προσωπική σας ασφάλεια, ανατρέξτε στις εσωκλειστές οδηγίες ασφάλειας.

ΕΙΔΙΚΟΙ ΚΑΝΟΝΕΣ ΑΣΦΑΛΕΙΑΣ

ΜΗΝ επιτρέψετε στην βολικότητα ή εξοικείωση με το προϊόν (που αποκτήθηκε από επανειλημμένη χρήση) να αντικαταστήσει την αυστηρή προσήλωση στους κανόνες ασφάλειας του κυκλικού πριονιού. Εάν χρησιμοποιείτε το ηλεκτρικό εργαλείο αυτό χωρίς ασφάλεια ή με πλημμελή τρόπο, μπορεί να υποστείτε σοβαρό προσωπικό τραυματισμό.

Κίνδυνος:

1. Κρατάτε τα χέρια σας μακριά από την περιοχή κοπής και την λάμα. Κρατάτε το άλλο σας χέρι πάνω στην βοηθητική λαβή, ή στο περιβλημα κινητήρα. Εάν και τα δύο χέρια κρατάνε το πριόνι, δεν μπορεί να κοπούν από την λάμα.

2. Μην απλώνετε τα χέρια σας κάτω από το τεμάχιο εργασίας. Ο προφυλακτήρας δεν μπορεί να σας προστατεύσει από την λεπίδα κάτω από το τεμάχιο εργασίας. Μην επιχειρήσετε να αφαιρέσετε κομμένο υλικό όταν η λάμα κινείται.
ΠΡΟΣΟΧΗ: Οι λάμες περιστρέφονται και μετά το σβήσιμο. Περιμένετε μέχρι να σταματήσει η λάμα πριν πιάσετε κομμένο υλικό.
3. Ρυθμίστε το βάθος κοπής σύμφωνα με το πάχος του τεμαχίου εργασίας. Λιγότερο από ένα ολόκληρο δόντι από τα δόντια της λάμας πρέπει να φαίνεται κάτω από το τεμάχιο εργασίας.
4. Ποτέ μη κρατάτε ένα κομμάτι που κόβετε στα χέρια σας ή πάνω στο πόδι σας. Ασφαλίστε το τεμάχιο εργασίας σε σταθερή πλατφόρμα. Είναι σημαντικό να υποστηρίξετε το τεμάχιο εργασίας κατάλληλα για να ελαχιστοποιήσετε την εκθεση του σώματος, εμπλοκή λάμας, ή απώλεια ελέγχου. (Εικ. 1)
5. Κρατάτε το ηλεκτρικό εργαλείο από τις μωμωμένες επιφάνειες πιασίματος όταν εκτελείτε μιά λειτουργία όπου το κοπτικό εργαλείο μπορεί να κάνει επαφή με κρυμμένα σύρματα ή και το δικό του κορδόνι. Επαφή με ένα “ζωντανό” ηλεκτροφόρο σύρμα θα κάνει επίσης τα εκτεθειμένα μεταλλικά μέρη “ζωντανά” και θα προκαλέσει ηλεκτροπληξία στον χειριστή.
6. Όταν σχίζετε πάντοτε χρησιμοποιείτε ένα φράχτη σχίσματος ή οδηγό ίσιας άκρης. Αυτό βελτιώνει την ακρίβεια της κοπής και μειώνει την πιθανότητα εμπλοκής λάμας.
7. Πάντοτε χρησιμοποιείτε λάμες με σωστό μέγεθος και σχήμα (ρόμβου έναντι σφαιρικού) οπών εγκατάστασης. Οι λάμες που δεν ταιριάζουν με τον εξοπλισμό εγκατάστασης του πριονιού θα λειτουργούν εκκέντρως, προκαλώντας απώλεια ελέγχου.
8. Ποτέ μη χρησιμοποιήσετε ελαττωματικές ροδέλες λάμας ή μπουλόνια. Οι ροδέλες και μπουλόνια λάμας έχουν σχεδιαστεί ειδικά για το πριόνι σας, για βέλτιστη απόδοση και ασφάλεια λειτουργίας.

9. Αιτίες και πρόληψη οπισθολακτίσματος από τον χειριστή.

- οπισθολάκτισμα είναι μία ξαφνική αντίδραση σε μία τσιμπημένη, πιασμένη ή κακώς ευθυγραμμισμένη λάμα πριονιού, που προκαλεί ένα ανεξέλεγκτο σήκωμα του πριονιού και έξοδο από το τεμάχιο εργασίας προς την μεριά του χειριστή.
- όταν η λάμα είναι τσιμπημένη ή πιασμένη σφιγχτά από την τομή που κλείνει, η λάμα ακινητοποιείται και η αντίδραση του κινητήρα οδηγεί την μονάδα ταχέως πίσω προς τον χειριστή.
- εάν η λάμα στρεβλωθεί ή χάσει την ευθυγράμμιση της στην κοπή, τα δόντια στο πίσω μέρος της άκρης της λάμας μπορεί να σκάσουν στην άνω επιφάνεια του ξύλου κάνοντας την λάμα να αναρριχηθεί έξω από την τομή και να πηδήξει πίσω προς τον χειριστή.

Το οπισθολάκτισμα είναι το αποτέλεσμα κακής χρήσης του πριονιού και/ή εσφαλμένων διαδικασιών ή συνθηκών λειτουργίας και μπορεί να αποφευχθεί λαμβάνοντας κατάλληλες προφυλάξεις όπως δίνονται παρακάτω.

- Διατηρείτε ένα καλό πιάσιμο και με τα δύο χέρια στο πριόνι και τοποθετήστε τους βραχιόνες σας έτσι ώστε να αντιστέκονται στις δυνάμεις οπισθολακτίσματος. Τοποθετήστε το σώμα σας από οποιαδήποτε πλευρά της λάμας αλλά όχι σε ευθεία με την λάμα. Το οπισθολάκτισμα θα μπορούσε να κάνει το πριόνι να πηδήξει προς τα πίσω, αλλά οι δυνάμεις οπισθολακτίσματος μπορεί να ελεγχθούν από τον χειριστή, εάν παρθούν οι κατάλληλες προφυλάξεις.
- Όταν η λάμα πιάνει, ή όταν διακόπτεται μία κοπή για οποιοδήποτε λόγο, ελευθερώστε την σκανδάλη και κρατήστε το πριόνι ακίνητο στο υλικό μέχρι που η λεπίδα φθάνει σε μία πλήρη στάση. Ποτέ μην επιχειρήσετε να αφαιρέσετε το πριόνι από το τεμάχιο εργασίας ή να τραβήξετε το πριόνι προς τα πίσω ενώ η λάμα βρίσκεται σε κίνηση αλλοίως οπισθολάκτισμα μπορεί να συμβεί. Ελέγξτε και πάρτε διορθωτικά μέτρα για να εξαλείψετε την αιτία πιασίματος λάμας.
- Όταν επανεκκινείτε ένα πριόνι στο τεμάχιο εργασίας, βάλτε την λάμα πριονιού στο κέντρο της τομής και ελέγξτε ότι τα δόντια πριονιού δεν έχουν μπλακεί μέσα στο υλικό. Εάν η λάμα πριονιού πιάνει, μπορεί να πάει επάνω ή οπισθολακτίσει από το τεμάχιο εργασίας όπως το πριόνι επανεκκινεί.
- Υποστηρίξτε μεγάλα τεμάχια για να ελαχιστοποιήσετε τον κίνδυνο τσιμπήματος της λάμας και οπισθολακτίσματος. Μεγάλα τεμάχια τείνουν να λυγίζουν κάτω από το βάρος τους. Υποστηρίγματα πρέπει να τοποθετούνται κάτω από το τεμάχιο και στις δύο πλευρές, κοντά στην γραμμή κοπής και κοντά στην άκρη του τεμαχίου.

- Για να ελαχιστοποιήσετε τον κίνδυνο τσιμπήματος της λάμας και οπισθολακτίσματος. Όταν η λειτουργία κοπής απαιτεί να αφήνεται το πριόνι πάνω στο τεμάχιο εργασίας, το πριόνι πρέπει να αφήνεται στο μεγαλύτερο τμήμα και το μικρότερο τμήμα να κόβεται. (Εικ. 2 και 3)

- **Μη χρησιμοποιείτε λάμες αμβλυμένες ή με ζημίες.** Ατρόχιστες λάμες ή ακατάλληληλα τοποθετημένες λάμες δημιουργούν στενή τομή προκαλώντας υπερβολική τριβή, πιάσιμο λάμας και οπισθολάκτισμα. Κρατάτε την λάμα αιχμηρή και καθαρή. Σκληροποποιημένη κόλλα και σκόνη ξύλου στις λάμες επιβραδύνει το πριόνι και αυξάνει την πιθανότητα λακτίσμάτων. Κρατάτε την λάμα καθαρή αφαιρώντας την πρώτα από το εργαλείο, μετά καθαρίζοντας την με διαλυτή κόλλας και ξυλόσκονης, ξεστό νερό ή κηροζίνη. Ποτέ μη χρησιμοποιείτε βενζίνη.

- **Οι κλειδατοί μοχλοί ρύθμισης βάθους λάμας και κωνικότητας πρέπει να είναι σφιχτοί και ασφαλείς πριν από την κοπή.** Εάν η ρύθμιση λάμας μετακινείται κατά την κοπή, μπορεί να προκληθεί πιάσιμο και οπισθολάκτισμα.

- **Χρησιμοποιείτε μεγάλη προσοχή όταν κάνετε μία “κοπή βύθισης” μέσα σε υπάρχοντες τοίχους ή άλλες τυφλές περιοχές.** Η προεξέχουσα λάμα μπορεί να κόψει αντικείμενα που μπορούν να προκαλέσουν οπισθολακτίσματα. Για κοπές βύθισης, αποσύρτε τον κάτω προφυλακτήρα χρησιμοποιώντας την λαβή απόσυρσης.

- **ΠΑΝΤΟΤΕ κρατάτε το εργαλείο σταθερά με τα δύο χέρια. ΠΟΤΕ μη βάλετε το χέρι σας ή τα δάκτυλά σας πίσω από το πριόνι.** Εάν συμβεί οπισθολάκτισμα, το πριόνι μπορεί εύκολα να πηδήξει προς τα πίσω πάνω από το χέρι σας, οδηγώντας σε σοβαρό προσωπικό τραυματισμό. (Εικ. 4)

- **Ποτέ μην εξαναγκάσετε το πριόνι. Ο εξαναγκασμός του πριονιού μπορεί να προκαλέσει ανώμαλες κοπές, απώλεια ακριβείας, και πιθανό οπισθολάκτισμα.** Σπρώχτε το πριόνι προς τα εμπρός με ταχύτητα έτσι ώστε η λάμα κόβει χωρίς να επιβραδύνεται.

- ## 10. Ελέγξτε τον κάτω προφυλακτήρα για κατάλληλο κλείσιμο πριν από κάθε χρήση. Μη λειτουργείτε το πριόνι εάν ο κάτω προφυλακτήρας δεν κινείται ελεύθερα και κλείνει στιγμιαία. Ποτέ μη σφίξετε ή δέσετε τον κάτω προφυλακτήρα στην ανοικτή θέση. Εάν το πριόνι πέσει τυχαίως, ο κάτω προφυλακτήρας μπορεί να λυγίσει. Σηκώστε τον κάτω προφυλακτήρα με την λαβή απόσυρσης και βεβαιωθείτε ότι κινείται ελεύθερα και δεν αγγίζει την λάμα ή οποιοδήποτε άλλο μέρος, σε όλες τις γωνίες και βάθι κοπών. Για να ελέγξετε τον κάτω προφυλακτήρα, ανοίχτε τον κάτω προφυλακτήρα με το χέρι, κατόπιν ελευθερώστε και παρακολουθείστε το κλείσιμο του προφυλακτήρα. Επίσης ελέγξτε να δείτε ότι η λαβή απόσυρσης δεν αγγίζει το περίβλημα του εργαλείου. Είναι ΠΟΛΥ ΕΠΙΚΙΝΔΥΝΟ να αφήσετε την λάμα εκτεθειμένη και μπορεί να οδηγήσει σε σοβαρό προσωπικό τραυματισμό.

11. **Ελέγξτε την λειτουργία του ελατηρίου κάτω προφυλακτήρα. Εάν ο προφυλακτήρας και το ελατήριο δεν λειτουργούν κατάλληλα, πρέπει να συντηρηθούν πριν τη χρήση.** Ο κάτω προφυλακτήρας μπορεί να λειτουργεί αργά λόγω τμημάτων με ζημιές, αποθέματα κόλλας, ή συσσωρεύσεις απορριμμάτων.
12. **Ο κάτω τροχός πρέπει να αποσυρθεί χειροκίνητα μόνο για ειδικές κοπές τέτοιες όπως “κοπές βύθισης” και “σύνθετες κοπές”.** Σηκώστε τον κάτω προφυλακτήρα αποσύροντας την λαβή και μόλις η λάμα εισέλθει στο υλικό, ο κάτω τροχός πρέπει να ελευθερωθεί. Για όλα τα άλλα πριονίσματα, ο κάτω τροχός πρέπει να λειτουργεί αυτόματα.
13. **Πάντοτε βεβαιώνετε ότι ο κάτω προφυλακτήρας καλύπτει την λάμα πριν τοποθετήσετε το πριόνι κάτω στον πάγκο ή στο πάτωμα.** Μιά απροστάτευτη, περιστρεφόμενη λάμα θα κάνει το πριόνι να κινηθεί προς τα πίσω, κόβοντας ότι βρίσκεται στην τροχιά του. Να είστε ενήμεροι για τον χρόνο που χρειάζεται για την λάμα να σταματήσει αφού ο διακόπτης έχει αφαιρεθεί. Πριν αφήσετε κάτω το εργαλείο αφού συμπληρώσετε μία κοπή, βεβαιώστε ότι ο κάτω προφυλακτήρας έχει κλείσει και η λάμα έχει σταματήσει τελείως.
14. **Χρησιμοποιείτε το κατάλληλο μαχαίρι σχισίματος για την χρησιμοποιούμενη λάμα.** Για να λειτουργήσει το μαχαίρι σχισίματος, πρέπει να είναι παχύτερο από το σώμα της λάμας αλλά λεπτότερο από το σύνολο οδόντων της λάμας.
15. **Ρυθμίστε το μαχαίρι σχισίματος όπως περιγράφεται σ’ αυτές τις οδηγίες χρήσεως.** Εσφαλμένο διάστημα, θέση και ευθυγράμμιση μπορεί να κάνουν το μαχαίρι σχισίματος αναποτελεσματικό στην πρόληψη οπισθολακτίσματος.
16. **Πάντοτε χρησιμοποιείτε το μαχαίρι σχισίματος εκτός από κόπες βυθίσεως.** Το μαχαίρι σχισίματος πρέπει να αντικαθίσταται μετά από κοπή βυθίσεως. Το μαχαίρι σχισίματος προκαλεί παρεμβολή κατά την κοπή βυθίσεως και μπορεί να προκαλέσει οπισθολακτίσμα.
17. **Για να λειτουργήσει το μαχαίρι σχισίματος, πρέπει να έχει εμπλακεί στο τεμάχιο εργασίας.** Το μαχαίρι σχισίματος είναι αναποτελεσματικό στην πρόληψη οπισθολακτίσματος κατά τις κοντές κοπές.
18. **Μη λειτουργείτε το πριόνι εάν το μαχαίρι σχισίματος είναι λυγισμένο.** Ακόμη και μία ελαφρά παρεμβολή μπορεί να επιβραδύνει το ρυθμό κλεισίματος του προφυλακτήρα.
19. **Χρησιμοποιείτε μεγάλη προσοχή όταν κόβετε υγρό ξύλο, ξυλεία επεξεργασμένη με πίεση, ή ξύλο που περιέχει κόμπους.** Ρυθμίστε ταχύτητα κοπής για να διατηρήσετε λεία πρόωθηση του εργαλείου χωρίς μείωση στην ταχύτητα της λάμας.
20. **Αποφεύγετε την κοπή καρφιών. Ελέγξτε και αφαιρέστε όλα τα καρφιά από την ξυλεία πριν από την κοπή.**
21. **Τοποθετήστε το πλατύτερο τμήμα της βάσης πριονιού σε εκείνο το τμήμα του τεμαχίου εργασίας που είναι στερεά υποστηριζόμενο, όχι στο τμήμα που θα πέσει όταν γίνει η κοπή.** Ως παραδείγματα, Εικ. 5 δείχνει τον ΣΩΣΤΟ τρόπο να αποκόψετε την άκρη μιας σανίδας, και η Εικ. 6 τον ΛΑΘΟΣ τρόπο. Εάν το τεμάχιο εργασίας είναι κοντό και μικρό, συγκρατήστε το κάτω. ΜΗ ΠΡΟΣΠΑΘΕΙΤΕ ΝΑ ΚΡΑΤΑΤΕ ΜΙΚΡΑ ΤΕΜΑΧΙΑ ΜΕ ΤΟ ΧΕΡΙ. (Εικ. 5 και 6)
22. **Ποτέ μη προσπαθείτε να πριονίσετε με το κυκλικό πριόνι κρατημένο ανάποδα σε μία μέγγενη. Αυτό είναι εξαιρετικά επικίνδυνο και μπορεί να οδηγήσει σε σοβαρά ατυχήματα. (Εικ. 7)**
23. **Μερικά υλικά περιέχουν χημικά τα οποία μπορεί να είναι τοξικά. Προσέχετε να αποφεύγετε την εισπνοή σκόνης και δερματική επαφή. Ακολουθείτε τα δεδομένα ασφάλειας του προμηθευτή υλικού.**
24. **Μη σταματάτε τις λάμες με πλευρική πίεση στην λάμα πριονιού.**
25. **Πάντοτε χρησιμοποιείτε λάμες συνιστώμενες στο εγχειρίδιο αυτό. Μη χρησιμοποιείτε αποξεστικούς τροχούς.**
26. **Φοράτε μάσκα σκόνης και ωτασπίδες όταν χρησιμοποιείτε το εργαλείο.**

ΦΥΛΑΞΕΤΕ ΑΥΤΕΣ ΤΙΣ ΟΔΗΓΙΕΣ.

ΠΡΟΕΙΔΟΠΟΙΗΣΗ:

ΚΑΚΗ ΧΡΗΣΗ ή αμέλεια να ακολουθήσετε τους κανόνες ασφάλειας που διατυπώνονται σ’ αυτό το εγχειρίδιο οδηγιών μπορεί να προκαλέσει σοβαρό προσωπικό τραυματισμό.

ΟΔΗΓΙΕΣ ΧΡΗΣΗΣ

Απομάκρυνση ή εγκατάσταση της λάμας τροχού

Οι ακόλουθες λάμες μπορούν να χρησιμοποιηθούν με αυτό το μηχανήμα.

Μέγιστη διάμετρος	Ελάχιστη διάμετρος	Πάχος λάμας	Εγκοπή
165 χιλ.	150 χιλ.	1,6 χιλ. ή λιγότερο	1,9 χιλ. ή περισσό-τερο

Το πάχος του μαχαριού κοπής είναι 1.8 χιλ.

ΠΡΟΣΟΧΗ:

- Μη χρησιμοποιείτε λάμες τροχού που δεν ανταποκρίνονται στις προδιαγραφές που αναφέρονται στις οδηγίες αυτές.
- Μη χρησιμοποιείτε λάμες τροχού ο δίσκος των οποίων είναι παχύτερος του ή των οποίων η οδόντωση είναι μικρότερη από το πάχος του μαχαριού κοπής.

Για να απομακρύνετε τον τροχό κοπής, αποσυμπέστε το κλειδωμα του άξονα για να προλάβετε περιστροφή του, και έπειτα χρησιμοποιείτε το εξαγωνικό κλειδί για να χαλαρώσετε τη βίδα της εξαγωνικής κεφαλής. (Εικ. 8)

Τώρα απομακρύνετε την εξωτερική φλάντζα, σηκώστε το κάλυμμα ασφάλειας όσο το δυνατόν περισσότερο, και απομακρύνετε τον τροχό κοπής. (Εικ. 9)

Εγκαταστήστε τον τροχό κοπής ακολουθώντας την αντίστροφη διαδικασία από αυτή της απομάκρυνσης. Εγκαταστήστε την εσωτερική φλάντζα, τον τροχό κοπής, την εξωτερική φλάντζα και τη βίδα εξωτερικής κεφαλής, με αυτή τη σειρά. Σιγουρευτείτε να ασφαλίσετε τη βίδα εξαγωνικής κεφαλής σφικτά. **(Εικ. 10)**

ΠΡΟΣΟΧΗ:

- Βεβαιωθείτε ότι τα δόντια της λάμας βλέπουν προς την ίδια διεύθυνση που περιστρέφεται το μηχανήμα (το βέλος στη λάμα πρέπει να έχει την ίδια διεύθυνση με το βέλος στο μηχανήμα).
- Χρησιμοποιείτε μόνο το κίλο κλειδί Μάκιτα για την αφαίρεση ή την τοποθέτηση της λάμας.

Ρύθμιση μαχαριού κοπής (Εικ. 11)

Χρησιμοποιείτε το κλειδί υποδοχής για να χαλαρώσετε τη βίδα εξαγωνικής κεφαλής για τη ρύθμιση του μαχαριού κοπής, και έπειτα σηκώστε το κάλυμμα ασφαλείας. Μετακινήστε το μαχαίρι κοπής επάνω ή κάτω πάνω από τις δύο προεξοχές για ρυθμίσεις που φαίνονται στο σκίτσο, έτσι ώστε να υπάρχει ο κατάλληλος χώρος μεταξύ του μαχαριού κοπής και του τροχού κοπής.

ΠΡΟΣΟΧΗ:

Βεβαιωθείτε ότι το μαχαίρι κοπής έχει ρυθμιστεί έτσι ώστε: Η απόσταση μεταξύ του μαχαριού κοπής και του οδοντωτού άκρου της λάμας του τροχού δεν είναι περισσότερο από 5 χιλ. Το οδοντωτό άκρο δεν εκτείνεται περισσότερο από 5 χιλ. πέραν της χαμηλότερης άκρης του μαχαριού κοπής.

Ρύθμιση του βάθους κοπής (Εικ. 12)

Χαλαρώστε τη βίδα χειρός στον οδηγό βάθους και μετακινήστε τη βάση επάνω ή κάτω. Στο επιθυμητό βάθος κοπής, ασφαλίστε τη βάση σφίγγοντας τη βίδα χειρός.

ΠΡΟΣΟΧΗ:

- Χρησιμοποιείτε μικρό βάθος κοπής όταν κόβεται λεπτά κομμάτια εργασίας για καθαρές και ασφαλείς κοπές.
- Μετά τη ρύθμιση του βάθους κοπής, πάντα να σφίγγεται τη βίδα χειρός σφικτά.

Ρύθμιση για λοξές κοπές (Εικ. 13)

Χαλαρώστε τις βίδες χειρός μπροστά και πίσω, και γείρτε το εργαλείο στην επιθυμητή κοπή για λοξές κοπές (0 – 45). Σφίξτε καλά τις βίδες χειρός μπροστά και πίσω αφού κάνετε τη ρύθμιση.

Οψις (Εικ. 14)

Για ευθείες κοπές, ευθυγραμμίστε τη δεξιά εγκοπή στο μπροστινό μέρος της βάσης με τη γραμμή κοπής στο κομμάτι εργασίας.

Για λοξές κοπές 45 ευθυγραμμίστε την αριστερή εγκοπή με αυτή.

Διαδικασία ανάμματος (Εικ. 15)

Για να αποφύγετε κατά λάθος τράβηγμα της σκανδάλης διακόπτης, ένα κουμπί ασφαλείας παρέχεται.

Για να ξεκινήσει το μηχανήμα, αποσυμπίεστε το κουμπί ασφαλείας και τραβήξτε τη σκανδάλη. Απελευθερώστε τη σκανδάλη διακόπτη για να σταματήσετε.

ΠΡΟΣΟΧΗ:

Πριν συνδέσετε στο ρεύμα το μηχανήμα, πάντοτε ελέγχετε να δείτε αν η σκανδάλη διακόπτης ενεργοποιεί κανονικά και επανέρχεται στη θέση "OFF" όταν ελευθερωθεί.

Λειτουργία (Εικ. 16)

Κρατήστε το μηχανήμα σφικτά. Θέστε τη πλάκα βάσης στο αντικείμενο εργασίας που πρόκειται να κοπεί χωρίς η λάμα να ακουμπήσει καθόλου. Επειτα ανάψτε το μηχανήμα και περιμένετε μέχρι η λάμα να αποκτήσει την πλήρη ταχύτητα της. Τώρα απλώς μετακινήστε το μηχανήμα προς τα εμπρός πάνω στην επιφάνεια του αντικείμενου εργασίας, κρατώντας το επίπεδο και προωθώντας το ομαλά μέχρι η κοπή να ολοκληρωθεί. Για να πετύχετε καθαρές κοπές, κρατήστε τη γραμμή κοπής ευθεία και την ταχύτητα προώθησης σταθερή.

ΠΡΟΣΟΧΗ:

- Το μαχαίρι κοπής θα πρέπει να χρησιμοποιείται πάντα εκτός από τη περίπτωση που αρχίζετε κοπή στο μέσο του αντικείμενου εργασίας.
- Μη σταματάτε τη λάμα τροχού με πλευρική πίεση στον τροχό.

Οδηγός χάρακας (Εικ. 17)

Ο βολικός οδηγός χάρακας σας επιτρέπει να κάνετε υπέρ-ακριβείς ευθείες κοπές. Απλώς σύρτε τον οδηγό χάρακα εφαρμοστά στο πλάι του αντικείμενου εργασίας και στερεώστε τον στη θέση του με τη βίδα μπροστά στη βάση. Αυτό επίσης κάνει δυνατές επαναληπτικές κοπές με ομοιόμορφο πλάτος.

Σύνδεσμος συναρμολόγησης (Εικ. 18 και 19)

(για σύνδεση ηλεκτρικής σκούπας)

Όταν θέλετε να εκτελέσετε καθαρές κοπές, συνδέστε μια ηλεκτρική σκούπα στο εργαλείο. Μετά συνδέστε την σκούπα απορρόφησης στον προσαρμογέα.

ΣΥΝΤΗΡΗΣΗ

ΠΡΟΣΟΧΗ:

Πριν την εκτέλεση εργασιών με τη μηχανή σβήνουμε πάντα τη μηχανή και βγάζουμε τη πρίζα.

Αντικατάσταση καρβονάκια (Εικ. 20 και 21)

Οι ψήκτρες κάρβουνου πρέπει να αντικαθίστανται, όταν έχουν φθαρεί μέχρι το σημείο μαρκαρίσματος. Οι δύο ταυτόσημες ψήκτρες κάρβουνου πρέπει να αντικαθίστανται ταυτόχρονα.

Για τη διασφάλιση της σιγουριάς και αξιοπιστίας των προϊόντων μας πρέπει οι επισκευές, εργασίες συντήρησης ή ρυθμίσεις να εκτελούνται από εξουσιοδοτημένα εργαστήρια σέρβις πελατών Μάκιτα.

ΕΞΑΡΤΗΜΑΤΑ

ΠΡΟΣΟΧΗ:

Αυτά τα εξαρτήματα ή προσαρτήματα συνιστώνται για χρήση με το εργαλείο Μάκιτα που περιγράφηκε στις οδηγίες αυτές. Η χρήση οτιδήποτε άλλων εξαρτημάτων ή προσαρτημάτων μπορεί να προκαλέσει κίνδυνο τραυματισμού σε άτομα. Χρησιμοποιείτε τα εξαρτήματα ή προσαρτήματα μόνο για την χρήση που προορίζονται.

Εάν χρειάζεστε οποιαδήποτε βοήθεια για περισσότερες πληροφορίες σε σχέση με αυτά τα εξαρτήματα, αποτανθείτε στο τοπικό σας κέντρο εξυπηρέτησης Μάκιτα.

- Οδηγός χάρακας
- Εξαγωνικό κλειδί
- Πριονολάμα με άκρη ανθρακασβεστίου
Γρηγορότερο, πιο λείο, μακρύτερο πριόνισμα χωρίς ακόνισμα λάμας.
Κόβει ξύλο, λιθένδυτο, πλαστικά, σκληρό ξύλο κ.λ.π

Διάμετρος	Διάμετρος τρύπας
190 χιλ	20 χιλ ή 30 χιλ

ENGLISH**EC-DECLARATION OF CONFORMITY**

We declare under our sole responsibility that this product is in compliance with the following standards of standardized documents,

EN60745, EN55014, EN61000

in accordance with Council Directives, 89/336/EEC and 98/37/EC.

FRANÇAISE**DÉCLARATION DE CONFORMITÉ CE**

Nous déclarons sous notre entière responsabilité que ce produit est conforme aux normes des documents standardisés suivants,

EN60745, EN55014, EN61000

conformément aux Directives du Conseil, 89/336/CEE et 98/37/EG.

DEUTSCH**CE-KONFORMITÄTSERKLÄRUNG**

Hiermit erklärt wir unter unserer alleinigen Verantwortung, daß dieses Produkt gemäß den Ratsdirektiven 89/336/EWG und 98/37/EG mit den folgenden Normen von Normendokumenten übereinstimmen:

EN60745, EN55014, EN61000.

ITALIANO**DICHIARAZIONE DI CONFORMITÀ
CON LE NORME DELLA COMUNITÀ EUROPEA**

Dichiariamo sotto la nostra sola responsabilità che questo prodotto è conforme agli standard di documenti standardizzati seguenti:

EN60745, EN55014, EN61000

secondo le direttive del Consiglio 89/336/CEE e 98/37/CE.

NEDERLANDS**EG-VERKLARING VAN CONFORMITEIT**

Wij verklaren hierbij uitsluitend op eigen verantwoordelijkheid dat dit produkt voldoet aan de volgende normen van genormaliseerde documenten,

EN60745, EN55014, EN61000

in overeenstemming met de richtlijnen van de Raad 89/336/EEC en 98/37/EC.

ESPAÑOL**DECLARACIÓN DE CONFORMIDAD DE LA CE**

Declaramos bajo nuestra sola responsabilidad que este producto cumple con las siguientes normas de documentos normalizados,

EN60745, EN55014, EN61000

de acuerdo con las directivas comunitarias, 89/336/EEC y 98/37/CE.

Yasuhiko Kanzaki **CE 2005**



Director	Amministratore
Directeur	Directeur
Direktor	Director

MAKITA INTERNATIONAL EUROPE LTD.

Michigan Drive, Tongwell, Milton Keynes,
Bucks MK15 8JD, ENGLAND

Responsible manufacturer:	Produttore responsabile:
Fabricant responsable :	Verantwoordelijke fabrikant:
Verantwortlicher Hersteller:	Fabricante responsable:

Makita Corporation Anjo Aichi Japan

PORTUGUÊS**DECLARAÇÃO DE CONFORMIDADE DA CE**

Declaramos sob inteira responsabilidade que este produto obedece às seguintes normas de documentos normalizados,

EN60745, EN55014, EN61000

de acordo com as directivas 89/336/CEE e 98/37/CE do Conselho.

DANSK**EU-DEKLARATION OM KONFORMITET**

Vi erklærer hermed på eget ansvar, at dette produkt er i overensstemmelse med de følgende standarder i de norm-sættende dokumenter,

EN60745, EN55014, EN61000

i overensstemmelse med Rådets Direktiver 89/336/EEC og 98/37/EC.

SVENSKA**EG-DEKLARATION OM ÖVERENSSTÄMMELSE**

Under eget ansvar deklarerar vi härmed att denna produkt överensstämmer med följande standardiseringar för standardiserade dokument,

EN60745, EN55014, EN61000

i enlighet med EG-direktiven 89/336/EEC och 98/37/EC.

NORSK**EU's SAMSVARS-ERKLÆRING**

Vi erklærer på eget ansvar at dette produktet er i overensstemmelse med følgende standard i de standardiserte dokumenter:

EN60745, EN55014, EN61000,

i samsvar med Råds-direktivene, 89/336/EEC og 98/37/EC.

SUOMI**VAKUUTUS EC-VASTAAVUUDESTA**

Yksinomaisesti vastuullisina ilmoitamme, että tämä tuote on seuraavien standardoitujen dokumenttien standardien mukainen,

EN60745, EN55014, EN61000

neuvoston direktiivien 89/336/EEC ja 98/37/EC mukaisesti.

ΕΛΛΗΝΙΚΑ**ΔΗΛΩΣΗ ΣΥΜΜΟΡΦΩΣΗΣ ΕΚ**

Δηλώνουμε υπό την μοναδική μας ευθύνη ότι αυτό το προϊόν βρίσκεται σε Συμφωνία με τα ακόλουθα πρότυπα τυποποιημένων εγγράφων,

EN60745, EN55014, EN61000

σύμφωνα με τις Οδηγίες του Συμβουλίου, 89/336/EEC και 98/37/ΚΕ.

Yasuhiko Kanzaki **CE 2005**



Director	Direktor
Direktør	Johtaja
Direktör	Διευθυντής

MAKITA INTERNATIONAL EUROPE LTD.

Michigan Drive, Tongwell, Milton Keynes,
Bucks MK15 8JD, ENGLAND

Fabricante responsável:	Ansvarlig produsent:
Ansvarlig fabrikant:	Vastaava valmistaja:
Ansvarig tillverkare:	Υπεύθυνος κατασκευαστής:

Makita Corporation Anjo Aichi Japan

ENGLISH**For European countries only****Noise and Vibration**

The typical A-weighted noise levels are
 sound pressure level: 94 dB (A)
 sound power level: 105 dB (A)
 Uncertainty is 3 dB (A).

– Wear ear protection. –

The typical weighted root mean square acceleration value is not more than 2.5 m/s².

These values have been obtained according to EN60745.

FRANÇAISE**Pour les pays d'Europe uniquement****Bruit et vibrations**

Les niveaux de bruit ponderés types A sont:
 niveau de pression sonore: 94 dB (A)
 niveau de puissance du son: 105 dB (A)
 L'incertitude de mesure est de 3 dB (A).

– Porter des protecteurs anti-bruit. –

L'accélération pondérée ne dépasse pas 2,5 m/s².

Ces valeurs ont été obtenues selon EN60745.

DEUTSCH**Nur für europäische Länder****Geräusch- und Vibrationsentwicklung**

Die typischen A-bewerteten Geräuschpegel betragen:
 Schalldruckpegel: 94 dB (A)
 Schalleistungspegel: 105 dB (A)
 Die Abweichung beträgt 3 dB (A).

– Gehörschutz tragen. –

Der gewichtete Effektivwert der Beschleunigung beträgt nicht mehr als 2,5 m/s².

Diese Werte wurden gemäß EN60745 erhalten.

ITALIANO**Modello per l'Europa soltanto****Rumore e vibrazione**

I livelli del rumore pesati secondo la curva A sono:
 Livello pressione sonora: 94 dB (A)
 Livello potenza sonora: 105 dB (A)
 L'incertezza è di 3 dB (A).

– Indossare i paraorecchi. –

Il valore quadratico medio di accelerazione non supera i 2,5 m/s².

Questi valori sono stati ottenuti in conformità EN60745.

NEDERLANDS**Aleen voor Europese landen****Geluidsniveau en trilling**

De typische A-gewogen geluidsniveau's zijn
 geluidsdrukniveau: 94 dB (A)
 geluidsenergie-niveau: 105 dB (A)
 Onzekerheid is 3 dB (A).

– Draag oorbeschermers. –

De typische gewogen effectieve versnellingswaarde is niet meer dan 2,5 m/s².

Deze waarden werden verkregen in overeenstemming met EN60745.

ESPAÑOL**Para países europeos solamente****Ruido y vibración**

Los niveles típicos de ruido ponderados A son
 presión sonora: 94 dB (A)
 nivel de potencia sonora: 105 dB (A)
 Incerteza 3 dB (A).

– Póngase protectores en los oídos. –

El valor ponderado de la aceleración no sobrepasa los 2,5 m/s².

Estos valores han sido obtenidos de acuerdo con EN60745.

PORTUGUÊS**Só para países Europeus****Ruído e vibração**

Os níveis normais de ruído A são
 nível de pressão de som: 94 dB (A)
 nível do som: 105 dB (A)
 A incerteza é de 3 dB (A).
 – Utilize protectores para os ouvidos –
 O valor médio da aceleração é inferior a $2,5 \text{ m/s}^2$.
 Estes valores foram obtidos de acordo com EN60745.

DANSK**Kun for lande i Europa****Lyd og vibration**

De typiske A-vægtede lydniveauer er
 lydtryksniveau: 94 dB (A)
 lydeffektniveau: 105 dB (A)
 Der er en usikkerhed på 3 dB (A).
 – Bær høreværn. –
 Den vægtede effektive accelerationsværdi overstiger ikke $2,5 \text{ m/s}^2$.
 Disse værdier er beregnet i overensstemmelse med EN60745.

SVENSKA**Endast för Europa****Buller och vibration**

De typiska A-vägda bullernivåerna är
 ljudtrycksnivå: 94 dB (A)
 ljudeffektnivå: 105 dB (A)
 Osäkerheten är 3 dB (A).
 – Använd hörselskydd –
 Det typiskt vägda effektivvärdet för acceleration överstiger inte $2,5 \text{ m/s}^2$.
 Dessa värden har erhållits i enlighet med EN60745.

NORSK**Gjelder bare land i Europa****Støy og vibrasjon**

De vanlige A-belastede støynivå er
 lydtrykksnivå: 94 dB (A)
 lydstyrkenivå: 105 dB (A)
 Usikkerheten er på 3 dB (A).
 – Benytt hørselvern. –
 Den vanlig belastede effektiv-verdi for akselerasjon over-skrider ikke $2,5 \text{ m/s}^2$.
 Disse verdiene er beregnet eller målt i samsvar med EN60745.

SUOMI**Vain Euroopan maat****Melutaso ja värinä**

Tyypilliset A-painotetut melutasot ovat
 äänenpainetaso: 94 dB (A)
 äänen tehotaso: 105 dB (A)
 Epävarmuus on 3 dB (A).
 – Käytä kuulosuojaimia. –
 Tyypillinen kiihtyvyyden painotettu tehollisarvo ei ylitä $2,5 \text{ m/s}^2$.
 Nämä arvot on mitattu normin EN60745 mukaisesti.

ΕΛΛΗΝΙΚΑ**Μόνο για χώρες της Ευρώπης****Θόρυβος και κραδασμός**

Οι τυπικές Α-μετρούμενες εντάσεις ήχου είναι
 πίεση ήχου: 94 dB (A)
 δύναμη του ήχου: 105 dB (A)
 Η Αβεβαιότητα είναι 3 dB (A).
 – Φοράτε ωτοασπίδες. –
 Η τυπική αξία της μετρούμενης ρίζας του μέσου τετραγώνου της επιτάχυνσης δεν ξεπερνά τα $2,5 \text{ m/s}^2$.
 Αυτές οι τιμές έχουν σημειωθεί σύμφωνα με το EN60745.

Makita Corporation
Anjo, Aichi, Japan

884250C990