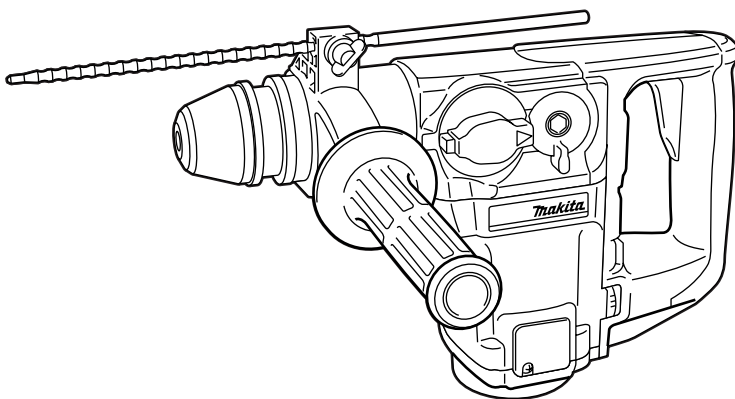
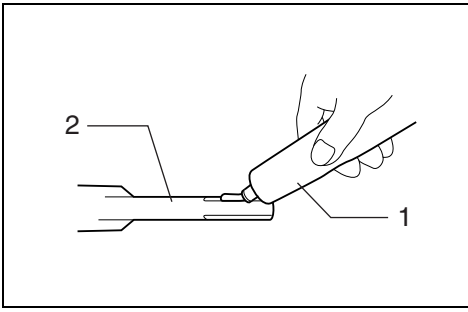


# Makita®

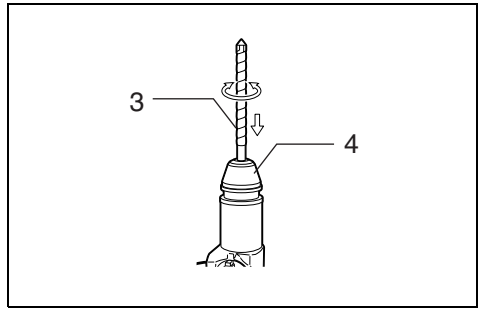
<b>GB</b>	<b>Rotary Hammer</b>	<b>Instruction Manual</b>
<b>F</b>	<b>Perforateur</b>	<b>Manuel d'instructions</b>
<b>D</b>	<b>Bohrhammer</b>	<b>Betriebsanleitung</b>
<b>I</b>	<b>Martello rotativo</b>	<b>Istruzioni per l'uso</b>
<b>NL</b>	<b>Boorhamer</b>	<b>Gebruiksaanwijzing</b>
<b>E</b>	<b>Martillo rotativo</b>	<b>Manual de instrucciones</b>
<b>P</b>	<b>Martelo misto</b>	<b>Manual de instruções</b>
<b>DK</b>	<b>Borehammer</b>	<b>Brugsanvisning</b>
<b>S</b>	<b>Borrhammare</b>	<b>Bruksanvisning</b>
<b>N</b>	<b>Borhammer</b>	<b>Bruksanvisning</b>
<b>SF</b>	<b>Poravasara</b>	<b>Käyttöohje</b>
<b>GR</b>	<b>Περιστροφικό σφυρί</b>	<b>Οδηγίες χρήσεως</b>

## HR3000C

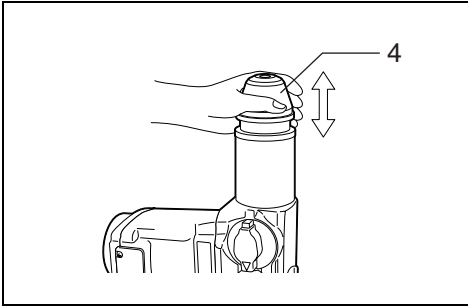




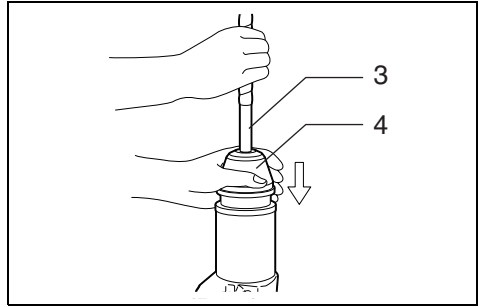
1



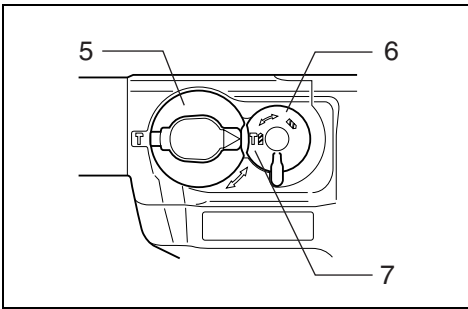
2



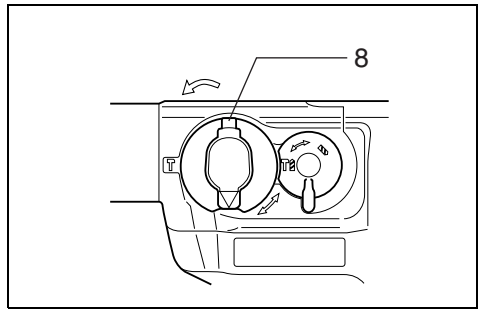
3



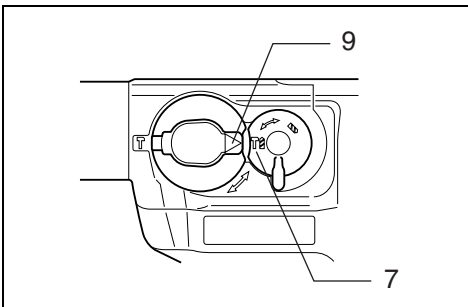
4



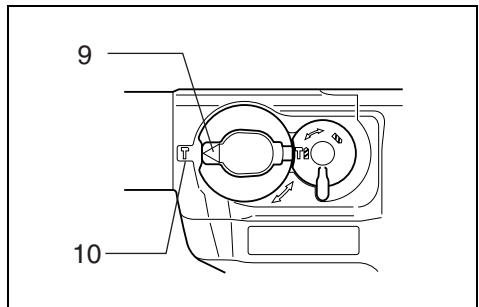
5



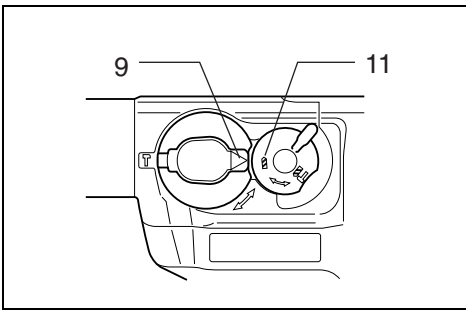
6



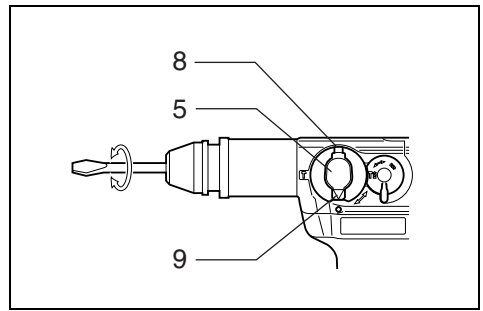
7



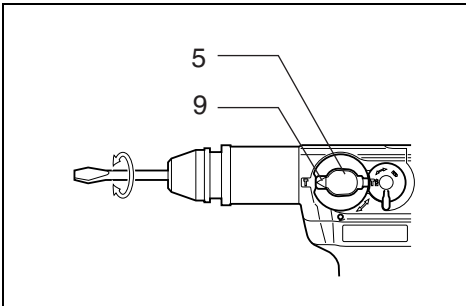
8



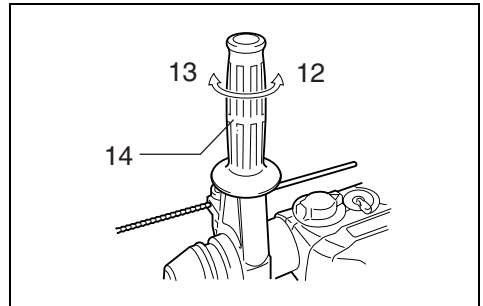
**9**



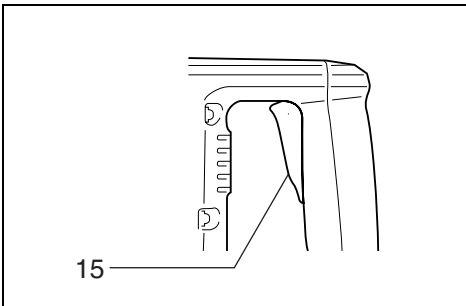
**10**



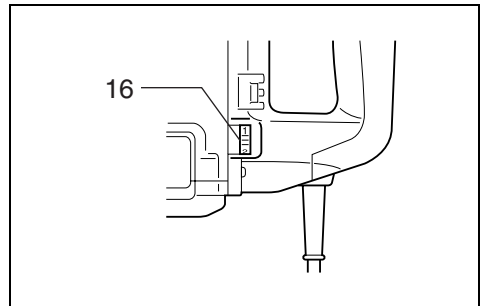
**11**



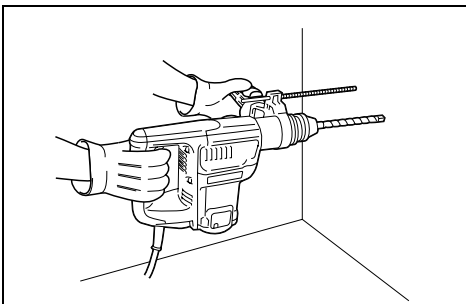
**12**



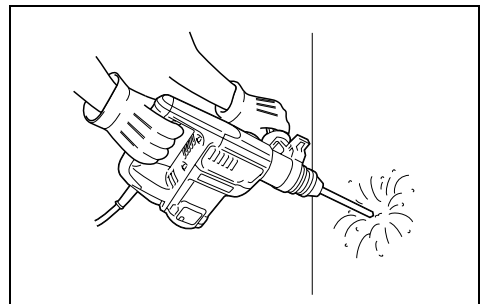
**13**



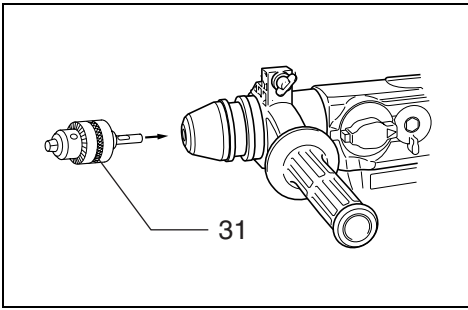
**14**



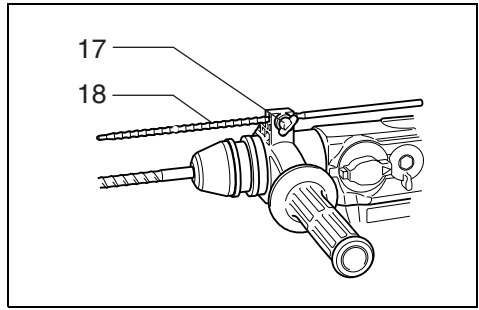
**15**



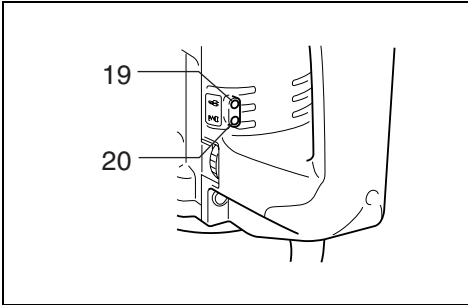
**16**



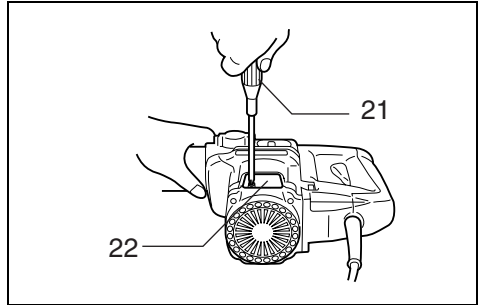
17



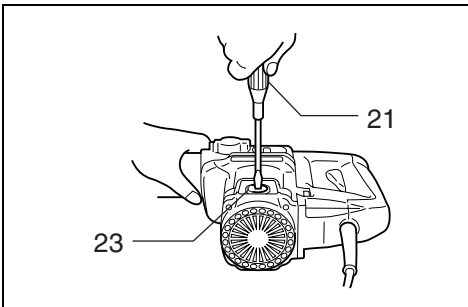
18



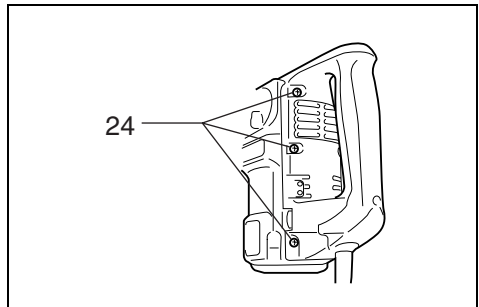
19



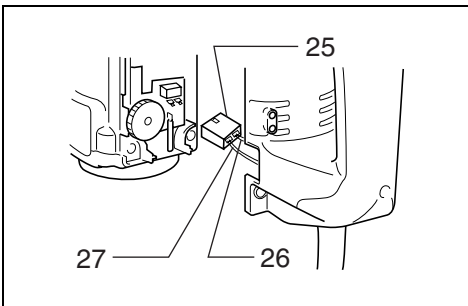
20



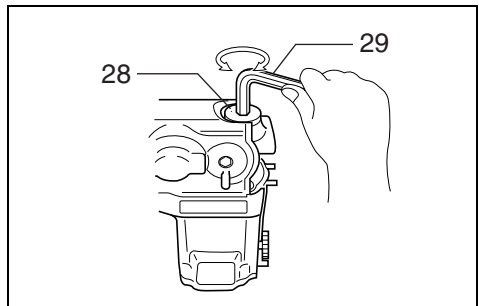
21



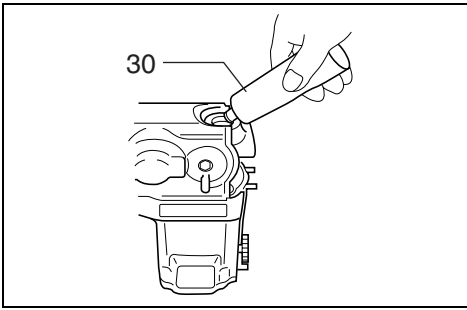
22



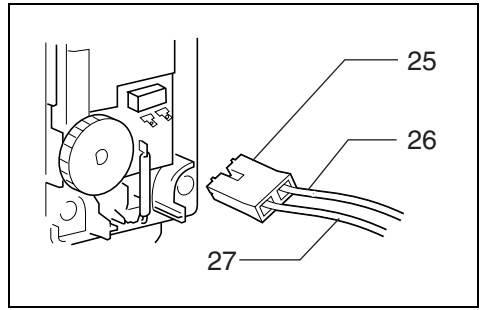
23



24



**25**



**26**

**Explanation of general view**

1 Bit grease	11 "Rotation only" symbol	21 Screwdriver
2 Bit shank	12 Loosen	22 Brush holder cover
3 Bit	13 Tighten	23 Brush holder cap
4 Chuck cover	14 Side grip	24 Screws
5 Change lever	15 Switch trigger	25 Connector
6 Shift lever	16 Adjusting dial	26 Black
7 "Rotation with hammering" symbol	17 Clamp screw	27 White
8 Lock button	18 Depth gauge	28 Crank cap
9 Pointer	19 Power-ON indicator lamp (green)	29 Hex wrench
10 "Hammering only" symbol	20 Service indicator lamp (red)	30 Hammer grease
		31 Drill chuck

**SPECIFICATIONS**

<b>Model</b>	<b>HR3000C</b>
<b>Capacities</b>	
Tungsten-carbide tipped bit .....	30 mm
Core bit .....	90 mm
Wood .....	30 mm
Steel .....	13 mm
No load speed (min <sup>-1</sup> ) .....	360–720
Blows per minute .....	1,650–3,300
Overall length .....	391 mm
Net weight .....	4.8 kg

- Due to our continuing program of research and development, the specifications herein are subject to change without notice.
- Note: Specifications may differ from country to country.

**Power supply**

The tool should be connected only to a power supply of the same voltage as indicated on the nameplate, and can only be operated on single-phase AC supply. They are double-insulated in accordance with European Standard and can, therefore, also be used from sockets without earth wire.

**Safety hints**

For your own safety, please refer to enclosed the safety instructions.

**SPECIFIC SAFETY RULES**

GEB007-2

**DO NOT let comfort or familiarity with product (gained from repeated use) replace strict adherence to rotary hammer safety rules. If you use this tool unsafely or incorrectly, you can suffer serious personal injury.**

1. **Wear ear protectors.** Exposure to noise can cause hearing loss.
2. **Use auxiliary handles supplied with the tool.** Loss of control can cause personal injury.
3. **Hold power tools by insulated gripping surfaces when performing an operation where the cutting tool may contact hidden wiring or its own cord.** Contact with a "live" wire will make exposed metal parts of the tool "live" and shock the operator.
4. **Wear a hard hat (safety helmet), safety glasses and/or face shield. Ordinary eye or sun glasses are NOT safety glasses. It is also highly recommended that you wear a dust mask and thickly padded gloves.**

5. **Be sure the bit is secured in place before operation.**
6. **Under normal operation, the tool is designed to produce vibration. The screws can come loose easily, causing a breakdown or accident. Check tightness of screws carefully before operation.**
7. **In cold weather or when the tool has not been used for a long time, let the tool warm up for a while by operating it under no load. This will loosen up the lubrication. Without proper warm-up, hammering operation is difficult.**
8. **Always be sure you have a firm footing. Be sure no one is below when using the tool in high locations.**
9. **Hold the tool firmly with both hands.**
10. **Keep hands away from moving parts.**
11. **Do not leave the tool running. Operate the tool only when hand-held.**
12. **Do not point the tool at any one in the area when operating. The bit could fly out and injure someone seriously.**
13. **Do not touch the bit or parts close to the bit immediately after operation; they may be extremely hot and could burn your skin.**
14. **Some material contains chemicals which may be toxic. Take caution to prevent dust inhalation and skin contact. Follow material supplier safety data.**

**SAVE THESE INSTRUCTIONS.**

**WARNING:**

**MISUSE or failure to follow the safety rules stated in this instruction manual may cause serious personal injury.**

## OPERATING INSTRUCTIONS

### Installing or removing bit

Important:

Always be sure that the tool is switched off and unplugged before installing or removing the bit.

Clean the bit shank and apply the bit grease provided to it before installing the bit. (Fig. 1)

Insert the bit into the tool. Turn the bit and push it in until it engages. (Fig. 2)


If the bit cannot be pushed in, remove the bit. Pull the chuck cover down a couple of times. Then insert the bit again. Turn the bit and push it in until it engages. (Fig. 3)

After installing, always make sure that the bit is securely held in place by trying to pull it out. To remove the bit, pull the chuck cover down all the way and pull the bit out. (Fig. 4)


### Selecting action mode

When selecting an action mode, first set the change lever and the shift lever to the position shown in Fig. 5. Then proceed as follows.

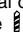
#### Rotation with hammering (Fig. 6 & 7)

For drilling in concrete, masonry, etc., depress the lock button and rotate the change lever so that the pointer points to the  symbol. Use a tungsten-carbide tipped bit.

#### Hammering only (Fig. 6 & 8)

For chipping, scaling or demolition operations, depress the lock button and rotate the change lever so that the pointer points to the  symbol. Use a bull point, cold chisel, scaling chisel, etc.

#### Rotation only (Fig. 6 & 9)

For drilling in wood, metal or plastic materials, rotate the shift lever so that the  symbol is aligned with the pointer on the change lever. Use a twist drill bit or wood bit.


CAUTION:

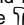
- Do not rotate the change lever and/or the shift lever when the tool is running under load. The tool will be damaged.
- To avoid rapid wear on the mode change mechanism, be sure that the change lever and/or the shift lever is always positively located in one of the three action mode positions.
- The action mode cannot be changed directly from “hammering only” to “rotation only” or from “rotation only” to “hammering only”. First set the change lever and the shift lever to “rotation with hammering” mode position shown in Fig. 5. Then set them to the position for “hammering only” or “rotation only”.

### Bit angle (when chipping, scaling or demolishing)

Important:

Always be sure that the tool is switched off and unplugged before changing the bit angle.

The bit can be secured at 12 different angles. To change the bit angle, depress the lock button and rotate the change lever so that the pointer points to the  symbol. Turn the bit to the desired angle. (Fig. 10)

Depress the lock button and rotate the change lever so that the pointer points to the  symbol.

Then make sure that the bit is securely held in place by turning it slightly. (Fig. 11)

### Side grip (Fig. 12)

CAUTION:

- Always use the side grip to ensure operating safety when drilling in concrete, masonry, etc.
- When the bit begins to break through concrete or if the bit strikes reinforcing rods embedded in concrete, the tool may react dangerously. Maintain good balance and safe footing while holding the tool firmly with both hands to prevent dangerous reaction.

The side grip swings around to either side, allowing easy handling of the tool in any position. Loosen the side grip by turning it counterclockwise, swing it to the desired position and then tighten it by turning clockwise.

### Switch action (Fig. 13)

CAUTION:

Before plugging in the tool, always check to see that the switch trigger actuates properly and returns to the “OFF” position when released.

To start the tool, simply pull the trigger. Release the trigger to stop.

### Speed change (Fig. 14)

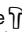
The revolutions and blows per minute can be adjusted just by turning the adjusting dial. The dial is marked 1 (lowest speed) to 6 (full speed). Refer to the table below for the relationship between the number settings on the adjusting dial and the revolutions/blows per minute.

Number on adjusting dial	Revolutions per minute	Blows per minute
6	720	3,300
5	690	3,150
4	590	2,700
3	490	2,250
2	390	1,800
1	360	1,650

### Hammer drilling operation (Fig. 15)

CAUTION:

When the bit begins to break through concrete or if the bit strikes reinforcing rods embedded in concrete, the tool may react dangerously. Maintain good balance and safe footing while holding the tool firmly with both hands to prevent dangerous reaction.

Set the change lever and the shift lever to the  symbol. Position the bit at the location for the hole, then pull the trigger. Do not force the tool. Light pressure gives best results. Keep the tool in position and prevent it from slipping away from the hole.

Do not apply more pressure when the hole becomes clogged with chips or particles. Instead, run the tool at an idle, then remove from the hole. By repeating this several times, the hole will be cleaned out.


## Torque limiter

The torque limiter will actuate when a certain torque level is reached. The motor will disengage from the output shaft. When this happens, the bit will stop turning.

### CAUTION:


As soon as the torque limiter actuates, switch off the tool immediately. This will help prevent premature wear of the tool.

## Chipping/Scaling/Demolition (Fig. 16)

Set the change lever and the shift lever to the  symbol. Hold the tool firmly with both hands. Turn the tool on and apply slight pressure on the tool so that the tool will not bounce around, uncontrolled. Pressing very hard on the tool will not increase the efficiency.

## Drilling operation (Fig. 17)

Use the optional drill chuck assembly. When installing it, refer to "Installing or removing drill bit" described on the previous page. You can drill up to 13 mm diameter in metal and up to 30 mm diameter in wood.

Set the change lever and the shift lever to the  symbol.

### • Drilling in wood

When drilling in wood, best results are obtained with wood drills equipped with a guide screw. The guide screw makes drilling easier by pulling the bit into the workpiece.

### • Drilling in metal

To prevent the bit from slipping when starting a hole, make an indentation with a centerpunch and hammer at the point to be drilled. Place the point of the bit in the indentation and start drilling.

Use a cutting lubricant when drilling metals. The exception is brass which should be drilled dry.

### CAUTION:

- Pressing excessively on the tool will not speed up the drilling. In fact, this excessive pressure will only serve to damage the tip of your bit, decrease the tool performance and shorten the service life of the tool.
- Never use "rotation with hammering" when the drill chuck assembly is installed on the tool. The drill chuck assembly may be damaged.

## Depth gauge (Fig. 18)

The depth gauge is convenient for drilling holes of uniform depth. Loosen the clamp screw and adjust the depth gauge to the desired depth. After adjusting, tighten the clamp screw firmly.

### NOTE:

The depth gauge cannot be used at the position where the depth gauge strikes against the gear housing/motor housing.

## Indicator lamp (Fig. 19)

The green power-ON indicator lamp lights up when the tool is switched ON. If the indicator lamp is lit but the tool does not start, the carbon brushes may be worn out, or the electric circuit or the motor may be defective. If the indicator lamp does not light up and the tool does not start, the ON/OFF switch or the mains cord may be defective.

The red service indicator lamp lights up when the carbon brushes are nearly worn out to indicate that the tool needs servicing. After approx. 8 hours of use, the motor will automatically be shut off.

## MAINTENANCE

### CAUTION:

Always be sure that the tool is switched off and unplugged before carrying out any work on the tool.

## Replacement of carbon brushes (Fig. 20 & 21)

Whenever carbon brushes must be replaced, they cut out the tool automatically. When this occurs, remove the screws which secure the brush holder cover. Remove the brush holder cover and brush holder cap. Then replace both carbon brushes at the same time. Use only identical carbon brushes.

## Lubrication

This tool requires no hourly or daily lubrication because it has a grease-packed lubrication system. Lubricate the tool every time the carbon brushes are replaced.

Run the tool for several minutes to warm it up. Switch off and unplug the tool.

Loosen the six screws and remove the handle. Note that the top screws are different from other screws. (Fig. 22) Disconnect the connector by pulling it. (Fig. 23)

Remove the crank cap using a hex wrench. (Fig. 24)

Rest the tool on the table with the bit end pointing upwards. This will allow the old grease to collect inside the crank housing. Wipe out the old grease inside and replace with a fresh grease (30 g). Use only Makita genuine hammer grease (optional accessory). Filling with more than specified amount of grease (approx. 30 g) can cause faulty hammering action or tool failure. Fill only with the specified amount of grease. Reinstall the crank cap and tighten with the hex wrench. (Fig. 25)

Connect the connector and reinstall the handle. (Fig. 26)

### CAUTION:

- Be careful not to damage the terminals or lead wires especially when wiping out the old grease or installing the handle.
- Do not tighten the crank cap excessively. It is made of resin and is subject to breakage.

To maintain product safety and reliability, repairs, maintenance or adjustment should be carried out by a Makita Authorized Service Center.

## ACCESSORIES

### CAUTION:

These accessories or attachments are recommended for use with your Makita tool specified in this manual. The use of any other accessories or attachments might present a risk of injury to persons. Only use accessory or attachment for its stated purpose.

If you need any assistance for more details regarding these accessories, ask your local Makita service center.

- SDS Plus Tungsten-carbide tipped bit
- Bull point
- Cold chisel
- Hammer grease (30 g)
- Bit grease (100 g)
- Depth gauge
- Blow-out bulb
- Dust cup
- Safety goggles
- Drill chuck
- Chuck key S13
- Plastic carrying case
- Side grip



## Descriptif

1	Graisse rose	12	Desserrer	22	Plaque de protection
2	Queue du foret	13	Serrer	23	Bouchon du porte-charbon
3	Foret	14	Poignée latérale pour le perçage	24	Vis
4	Cache du porte-outil	15	Gâchette	25	Connecteur
5	Sélecteur de mode	16	Molette de réglage	26	Noire
6	Levier de changement	17	Ecrou à oreilles	27	Blanche
7	Symbole "Rotation/percussion"	18	Tige de profondeur	28	Couvercle du carter
8	Bouton de verrouillage	19	Voyant de mise sous tension (ON) (vert)	29	Clé BTR
9	Index	20	Voyant de service (rouge)	30	Lubrifiant spécial
10	Symbole "Percussion seulement"	21	Tournevis	31	Mandrin
11	Symbole "Rotation seulement"				

## SPECIFICATIONS

<b>Modèle</b>	<b>HR3000C</b>
<b>Capacités</b>	
Foret au carbure de tungstène .....	30 mm
Trépan .....	90 mm
Bois .....	30 mm
Acier .....	13 mm
Vitesse à vide (min <sup>-1</sup> ) .....	360 – 720
Cadence de frappe/mn .....	1 650 – 3 300
Longueur hors tout .....	391 mm
Poids net .....	4,8 kg

- Etant donné l'évolution constante de notre programme de recherche et de développement, les spécifications contenues dans ce manuel sont sujettes à modification sans préavis.
- Note : Les spécifications peuvent varier suivant les pays.

### Alimentation

L'outil ne devra être raccordé qu'à une alimentation de la même tension que celle qui figure sur la plaque signalétique, et il ne pourra fonctionner que sur un courant secteur monophasé. Réalisé avec une double isolation, il est conforme à la réglementation européenne et peut de ce fait être alimenté sans mise à la terre.

### Consignes de sécurité

Pour votre propre sécurité, reportez-vous aux consignes de sécurité qui accompagnent l'outil.

## CONSIGNES DE SÉCURITÉ SPÉCIFIQUES

**NE vous laissez PAS tromper (au fil d'une utilisation répétée) par un sentiment d'aisance et de familiarité avec le produit, en négligeant le respect rigoureux des consignes de sécurité qui accompagnent le marteau rotatif. Si vous n'utilisez pas cet outil de façon sûre et adéquate, vous courez un risque de blessure grave.**

1. **Portez des protections d'oreilles.** L'exposition au bruit peut entraîner la surdité.
2. **Utilisez les poignées auxiliaires fournies avec l'outil.** La perte de contrôle comporte un risque de blessure.
3. **Saisissez les outils électriques par leurs surfaces de poigne isolées lorsque vous effectuez une opération au cours de laquelle l'outil tranchant peut entrer en contact avec des fils cachés ou avec son propre cordon d'alimentation.** Le contact avec un fil sous tension mettra les parties métalliques exposées de l'outil sous tension, causant ainsi un choc électrique chez l'utilisateur.

4. **Portez une coiffure résistante (un casque de sécurité), des lunettes de sécurité et/ou une visière. Les lunettes ordinaires et les lunettes de soleil ne sont PAS des lunettes de sécurité. Nous vous recommandons également de porter un masque antipoussières et des gants très épais.**
5. **Assurez-vous que le foret est bien serré avant d'utiliser l'outil.**
6. **Même en conditions normales d'utilisation, l'outil produit des vibrations. Les vis peuvent ainsi se relâcher facilement, ce qui risque d'entraîner une rupture de pièce ou un accident. Avant l'utilisation, vérifiez que les vis sont bien serrées.**
7. **À basse température ou lorsque l'outil est resté inutilisé pour une période prolongée, laissez-le réchauffer un instant en le faisant fonctionner à vide. Cela permettra au lubrifiant de réchauffer. La perforation sera difficile si l'outil n'est pas bien réchauffé.**
8. **Assurez-vous toujours d'une bonne position d'équilibre. Assurez-vous que personne ne se trouve dessous lorsque vous utilisez l'outil dans une position ou un emplacement élevé.**
9. **Tenez toujours l'outil fermement à deux mains.**
10. **Gardez les mains éloignées des pièces en mouvement.**
11. **Ne laissez pas l'outil tourner inutilement. Ne faites fonctionner l'outil qu'une fois que vous l'avez bien en main.**
12. **Pendant l'utilisation de l'outil, ne le pointez vers personne dans la zone de travail. Vous risqueriez de blesser gravement quelqu'un en cas d'éjection du foret.**
13. **Ne touchez ni le foret ni les pièces adjacentes immédiatement après l'utilisation de l'outil. Ils risquent d'être extrêmement chauds et de vous brûler gravement la peau.**
14. **Certains matériaux contiennent des produits chimiques qui peuvent être toxiques. Prenez les précautions nécessaires pour ne pas inhaler les poussières qu'ils dégagent et pour éviter tout contact avec la peau. Conformez-vous aux consignes de sécurité du fabricant.**

## CONSERVEZ CES INSTRUCTIONS.

### AVERTISSEMENT :

**La MAUVAISE UTILISATION de l'outil ou l'ignorance des consignes de sécurité indiquées dans ce manuel d'instructions peut entraîner une blessure grave.**

## MODE D'EMPLOI

### Pose et dépose du foret

Important :

Pour cette opération, le perforateur doit être à l'arrêt et débranché.

Nettoyez la queue du foret et graissez la (avec la graisse rose fournie) avant d'engager le foret. (Fig. 1)

Enfoncez le foret dans l'outil. Tournez le foret et enfoncez-le jusqu'au déclic. (Fig. 2)

Si vous n'arrivez pas à enfoncer le foret, retirez-le. Manœuvrez deux ou trois fois le cache vers le bas, et recommencez. Tournez le foret et enfoncez-le jusqu'au déclic. (Fig. 3)


Après le montage, exercez toujours une traction vigoureuse sur le foret pour vérifier qu'il soit correctement verrouillé.

Pour retirer le foret, tirez le cache à fond vers le bas et sortez le foret. (Fig. 4)

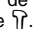
### Sélection du mode opératoire

Pour sélectionner un mode opératoire, commencez par mettre le sélecteur de mode et le levier de changement sur la position indiquée à la Fig. 5. Puis, procédez de la façon suivante.

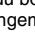
#### Rotation et percussion (Fig. 6 et 7)

Pour percer béton, maçonnerie, etc., appuyez sur le bouton de verrouillage et tournez le sélecteur de mode de façon que l'index soit dirigé sur le symbole . Utilisez un foret à pointe au carbure de tungstène.

#### Percussion seule (Fig. 6 et 8)

Pour travailler sans rotation avec burins et pointes, appuyez sur le bouton de verrouillage et tournez le sélecteur de mode de façon que l'index soit dirigé sur le symbole .

#### Rotation seulement (Fig. 6 et 9)

Pour percer du bois, du métal ou du plastique, tournez le levier de changement de façon que le symbole  soit aligné sur le repère du sélecteur de mode. Utilisez un foret hélicoïdal ou un foret à bois.

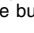
ATTENTION :

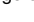
- Ne tournez pas le sélecteur de mode ni le levier de changement pendant que l'outil tourne en charge. Vous endommageriez l'outil.
- Pour éviter toute usure prématurée du mécanisme de sélection de mode, veillez à ce que le levier de changement et/ou le sélecteur de mode soit toujours bien réglés sur l'un des trois modes.
- Il n'est pas possible de passer directement du mode "percussion seulement" au mode "rotation seulement", et inversement du mode "rotation seulement" au mode "percussion seulement". Commencez par régler le levier de changement et le sélecteur de mode sur le mode "rotation/percussion", comme indiqué à la Fig. 5. Puis, mettez-les sur la position "percussion seulement" ou "rotation seulement".

### Orientation du burin (lors d'un écaillage, d'un burinage, ou de travaux de démolition)

Important :

Avant toute manipulation d'un accessoire, assurez-vous que le perforateur est à l'arrêt et débranché.

Le tranchant du burin peut prendre 12 positions différentes. Pour modifier l'angle, appuyez sur le bouton de verrouillage et tournez le sélecteur de mode de façon que l'index soit dirigé sur le symbole . Tournez le burin à l'angle voulu. (Fig. 10)

Appuyez sur le bouton de verrouillage et tournez le sélecteur de mode de façon que l'index soit dirigé sur le symbole .

Puis, vérifiez que le burin est bien fixé en le tournant légèrement. (Fig. 11)

### Poignée latérale pour le perçage (Fig. 12)

ATTENTION :

- Pour des raisons de sécurité, le perçage dans les matériaux doit toujours être pratiqué avec cette poignée.
- Lorsque le foret commence à mordre dans le béton ou qu'il rencontre des fers à béton, l'outil peut réagir dangereusement. Gardez un bon équilibre et soyez ferme sur vos deux pieds tout en tenant votre outil fermement des deux mains afin de palier toute réaction dangereuse.

Cette poignée se place indifféremment à gauche ou à droite, ce qui permet un maniement aisé de l'outil dans n'importe quelle position. Desserrez-la en la faisant tourner vers la gauche, placez-la sur la position voulue, puis immobilisez-la en la faisant tourner vers la droite.

### Interrupteur (Fig. 13)

ATTENTION :

Avant de brancher l'outil, vérifiez toujours que la gâchette fonctionne et qu'elle revient sur la position "OFF" une fois relâchée.

Pour mettre l'outil en route, il suffit d'enfoncer la gâchette, et de la relâcher pour arrêter.

### Changement de vitesse (Fig. 14)


Il est possible de régler le nombre de rotations et de frappes par minute en tournant la molette de réglage. La molette est graduée de 1 (vitesse la plus lente) à 6 (vitesse la plus rapide). Pour les rapports entre les graduations de la molette et le nombre de rotations/frappes par minute, voir le tableau ci-dessous.

Graduations de la molette de réglage	Rotations par minute	Frappes par minute
6	720	3 300
5	690	3 150
4	590	2 700
3	490	2 250
2	390	1 800
1	360	1 650

## Rotation et percussion (Fig. 15)

### ATTENTION :

Lorsque le foret commence à mordre dans le béton ou qu'il rencontre des fers à béton, l'outil peut réagir dangereusement. Gardez un bon équilibre et soyez ferme sur vos deux pieds tout en tenant votre outil fermement des deux mains afin de palier toute réaction dangereuse.

Réglez le sélecteur de mode et le levier de changement sur le symbole . Posez la pointe du foret à l'endroit du trou à percer et tirez sur la gâchette. Ne forcez pas sur l'outil. Une pression légère vous donnera les meilleurs résultats. Maintenez bien l'outil en place et veillez à ce qu'il ne dérape pas du trou.

Si les débris ne s'évacuent pas, ne forcez pas sur le foret. Au contraire, faites-le tourner à vide et retirez-le du trou. En répétant cette opération plusieurs fois de suite, vous nettoierez complètement le trou.


## Limiteur de couple

Le limiteur de couple se déclenche lorsqu'un certain niveau de couple est atteint. Le moteur se désaccouple du porte-outil. Dans ce cas, le foret cesse de tourner.

### ATTENTION :


Coupez le contact dès que le limiteur de couple se déclenche. Ceci permettra d'éviter toute usure prématurée de l'outil.

## Burinage/Ecaillage/Démolition (Fig. 16)

Réglez le sélecteur de mode et le levier de changement sur le symbole . Tenez l'outil fermement des deux mains. Mettez le contact et appliquez une légère pression sur l'outil de façon qu'il ne risque pas de sauter d'un côté ou de l'autre. Le fait d'appliquer une pression excessive n'augmentera pas l'efficacité de l'opération.

## Perçage (Fig. 17)

Pour ce type de travail, utilisez l'accessoire mandrin. Pour l'installation, reportez-vous à la section "Installation ou retrait du foret", à la page précédente. Les diamètres maxima de perçage sont de 13 mm pour le métal et de 30 mm pour le bois.

Mettez le levier de changement et le sélecteur de mode sur le symbole .

- Perçage dans du bois  
Pour percer dans du bois, vous obtiendrez les meilleurs résultats avec un foret en bois doté d'une vis de guidage. La vis de guidage facilite le perçage en attirant le foret dans la pièce.
- Perçage dans du métal  
Pour éviter que le foret ne glisse quand vous commencez à percer le trou, faites une entaille à l'aide d'un outil à centrer et d'un marteau au point à percer. Placez la pointe du foret dans l'entaille et commencez à percer.  
Pour percer des métaux, utilisez un lubrifiant de coupe. Seul le cuivre devra être percé à sec.

### ATTENTION :

- Vous ne percerez pas plus rapidement en appuyant plus fort sur l'outil. Au contraire, une pression excessive ne pourra qu'endommager la pointe du foret, réduisant ainsi les performances de l'outil et sa durée de vie.
- N'utilisez jamais la "rotation et frappe" lorsque le porte-mandrin est engagé dans la machine, car vous pourriez endommager l'ensemble.

## Tige de profondeur (Fig. 18)

La tige de profondeur est pratique pour percer des trous de longueur uniforme. Desserrez l'écrou à oreilles et réglez la tige de profondeur à la profondeur voulue. Après le réglage, serrez l'écrou à oreilles à fond.

### NOTE :

La tige de profondeur ne pourra pas être utilisée dans les positions où son extrémité arrière vient buter contre le carter.

## Voyant (Fig. 19)

Une fois la machine branchée, le voyant VERT s'allume dès que la gâchette est enfoncée : ceci indique que le circuit d'alimentation est opérationnel. Si l'outil ne démarre pas, malgré l'allumage du voyant VERT, la cause peut être une usure totale des charbons, une avarie sur moteur. Si le voyant VERT ne s'allume pas lorsque la gâchette est enfoncée, l'avarie peut concerner le câble d'alimentation ou l'interrupteur.

L'allumage du voyant ROUGE signale une usure avancée des charbons, avec une possibilité d'utilisation résiduelle d'environ 8 heures. Lorsque l'usure sera complète, la machine s'arrêtera, et ne pourra être remise en service qu'après remplacement des charbons usagés par un jeu neuf.

## ENTRETIEN

### ATTENTION :

Avant toute intervention, assurez-vous que le contact est coupé et l'outil débranché.

## Remplacement des charbons (Fig. 20 et 21)

Lorsque les charbons ont besoin d'être remplacés, l'outil s'arrête automatiquement. Dans ce cas, retirez les vis de fixation du cache du porte-charbon et retirez le cache et bouchon du porte-charbon. Puis, remplacez les deux charbons en même temps. Utilisez impérativement des charbons identiques.

## Graissage

Le système de graissage de cet outil comporte une réserve de lubrifiant. Graissez l'outil chaque fois que vous remplacez les charbons.

Laissez tourner l'outil pendant plusieurs minutes pour amener l'huile à température. Eteignez l'outil et débranchez-le.

Desserrez les six vis et retirez la poignée. Notez que les vis supérieures sont différentes des autres vis. (Fig. 22)

Débranchez le connecteur en tirant dessus. (Fig. 23)  
Retirez le couvercle du carter à l'aide de la clé BTR. (Fig. 24)

Posez l'outil sur un établi, avec le porte-outil en l'air, pour que l'huile usagée revienne dans le carter et s'écoule. Essuyez l'huile usagée à l'intérieur et remplacez-la par de l'huile neuve (30 g). Utilisez exclusivement le lubrifiant spécial Makita d'origine (accessoire en option). Si vous mettez plus d'huile que la quantité spécifiée (environ 30 g), vous risquez une percussion défectueuse et une panne de l'outil. Respectez strictement la quantité spécifiée. Remettez le couvercle du carter en place et vissez-le avec la clé BTR. (Fig. 25)

Branchez le connecteur et remontez la poignée. (Fig. 26)

**ATTENTION :**

- Faites attention de ne pas endommager les fiches ni les fils, en particulier lorsque vous essuyez l'huile usagée ou que vous montez la poignée.
- Ne serrez pas trop le couvercle du carter. Il est en résine et pourrait se casser.

Pour maintenir la sécurité et la fiabilité des outils, les réparations, l'entretien ou les réglages doivent être effectués par le Centre d'Entretien Makita.

**ACCESSOIRES**

**ATTENTION :**

Ces accessoires ou pièces complémentaires sont recommandés pour l'utilisation avec l'outil Makita spécifié dans ce mode d'emploi. L'utilisation de tout autre accessoire ou pièce peut comporter un risque de blessure. N'utilisez les accessoires ou pièces qu'aux fins mentionnées dans le présent mode d'emploi.

Si vous désirez obtenir plus de détails concernant ces accessoires, veuillez contacter le centre de service après-vente Makita le plus près.

- Foret à pointe en carbure de tungstène SDS plus
- Pointe à béton
- Ciseau à froid
- Lubrifiant (30 g)
- Graisse rose (100 g)
- Tige de profondeur
- Poire soufflante
- Recueille-poussières
- Lunettes de sécurité
- Mandrin
- Clé à mandrin S13
- Mallette de transport en plastique
- Poignée latérale

## Übersicht

1 Bohrer-/Meißelfett	11 Symbol für "Bohren"	22 Kohlebürstenschutz- abdeckung
2 Einsteckende	12 Lösen	23 Kohlebürstendeckel
3 Einsatzwerkzeug	13 Festziehen	24 Schrauben
4 Werkzeugverriegelung	14 Seitengriff	25 Steckverbinder
5 Betriebsartenschalter	15 Ein-Aus-Schalter	26 Schwarz
6 Umschalthebel	16 Drehzahl-Stellrad	27 Weiß
7 Symbol für "Bohren und Schlagen"	17 Klemmschraube	28 Kurbelgehäusedeckel
8 Entriegelungsknopf	18 Tiefenanschlag	29 Innensechskantschlüssel
9 Pfeil	19 Netzkontrolleuchte (grün)	30 Schmiermittel
10 Symbol für "Schlagen"	20 Wartungskontrolleuchte (rot)	31 Zahnkranzbohrfutter
	21 Schraubendreher	

## TECHNISCHE DATEN

<b>Modell</b>	<b>HR3000C</b>
Vollbohrer	
Einsatzwerkzeug mit Hartmetallspitze .....	30 mm
Bohrkronen .....	90 mm
Holz .....	30 mm
Stahl .....	13 mm
Leerlaufdrehzahl (min <sup>-1</sup> ) .....	360 – 720
Schlagzahl/min. ....	1 650 – 3 300
Gesamtlänge .....	391 mm
Nettogewicht .....	4,8 kg

- Wir behalten uns vor, Änderungen im Zuge der Entwicklung und des technischen Fortschritts ohne vorherige Ankündigung vorzunehmen.
- Hinweis: Die technischen Daten können von Land zu Land abweichen.

### Netzanschluss

Die Maschine darf nur an die auf dem Typenschild angegebene Netzspannung angeschlossen werden und arbeitet nur mit Einphasen- Wechselspannung. Sie ist entsprechend den Europäischen Richtlinien doppelt schutzisoliert und kann daher auch an Steckdosen ohne Erdanschluß betrieben werden.

### Sicherheitshinweise

Lesen und beachten Sie diese Hinweise, bevor Sie das Gerät benutzen.

## SPEZIELLE SICHERHEITSGELTEN

Lassen Sie sich **NICHT** durch **Bequemlichkeit** oder **Vertrautheit** mit dem Produkt (durch wiederholten Gebrauch erworben) von der strikten Einhaltung der Sicherheitsregeln für den Bohrerhammer abhalten. Wenn Sie dieses Werkzeug auf unsichere oder unsachgemäße Weise benutzen, können Sie schwere Verletzungen erleiden.

1. **Tragen Sie Gehörschützer.** Lärmeinwirkung kann zu Hörverlust führen.
2. **Benutzen Sie die mit dem Werkzeug gelieferten Zusatzgriffe.** Verlust der Kontrolle kann Verletzungen verursachen.
3. **Halten Sie Elektrowerkzeuge nur an den isolierten Griffflächen, wenn Sie Arbeiten ausführen, bei denen die Gefahr besteht, dass verborgene Kabel oder das eigene Kabel kontaktiert werden.** Bei Kontakt mit einem stromführenden Kabel werden die freiliegenden Metallteile des Werkzeugs ebenfalls stromführend, so dass der Benutzer einen elektrischen Schlag erleiden kann.

4. **Tragen Sie Schutzhelm, Schutzbrille und/oder Gesichtsschutz. Eine gewöhnliche Brille oder Sonnenbrille ist KEIN Ersatz für eine Sicherheitsbrille. Das Tragen einer Staubmaske und dick gepolsterter Handschuhe ist ebenfalls zu empfehlen.**
5. **Vergewissern Sie sich vor der Arbeit, dass der Einsatz sicher montiert ist.**
6. **Das Werkzeug ist so ausgelegt, dass es bei normalem Betrieb Vibrationen erzeugt. Durch Lockerung von Schrauben kann es zu einem Ausfall oder Unfall kommen. Überprüfen Sie sorgfältig die Festigkeit der Schrauben vor der Arbeit.**
7. **Lassen Sie das Werkzeug bei niedrigen Temperaturen oder nach längerer Nichtbenutzung eine Zeit lang im Leerlauf warm laufen. Dadurch wird die Schmierung verbessert. Betrieb im kalten Zustand erschwert die Schlagbohrarbeit.**
8. **Achten Sie stets auf sicheren Stand. Vergewissern Sie sich bei Einsatz des Werkzeugs an hochgelegenen Arbeitsplätzen, dass sich keine Personen darunter aufhalten.**
9. **Halten Sie das Werkzeug mit beiden Händen fest.**
10. **Halten Sie die Hände von beweglichen Teilen fern.**
11. **Lassen Sie das Werkzeug nicht unbeaufsichtigt laufen. Benutzen Sie das Werkzeug nur mit Handhaltung.**
12. **Richten Sie das Werkzeug während des Betriebs nicht auf umstehende Personen. Der Einsatz könnte herauschnellen und schwere Verletzungen verursachen.**
13. **Vermeiden Sie eine Berührung des Bohreinsatzes oder der umliegenden Teile unmittelbar nach der Bearbeitung, weil die Teile noch sehr heiß sind und Hautverbrennungen verursachen können.**
14. **Manche Materialien können giftige Chemikalien enthalten. Treffen Sie Vorsichtsmaßnahmen, um das Einatmen von Arbeitsstaub und Hautkontakt zu verhüten. Befolgen Sie die Sicherheitsdaten des Materialherstellers.**

## BEWAHREN SIE DIESE HINWEISE SORGFÄLTIG AUF.

### WARNUNG:

**MISSBRAUCH** oder Missachtung der Sicherheitsvorschriften in dieser Anleitung können schwere Verletzungen verursachen.

## BEDIENUNGSHINWEISE

### Montage und Demontage von Einsatzwerkzeugen

Wichtig:

Vergewissern Sie sich vor der Montage bzw. Demontage eines Einsatzwerkzeugs grundsätzlich, daß die Maschine abgeschaltet und der Netzstecker gezogen ist.

Das Einsteckende vor dem Einsetzen in die Maschine säubern und anschließend mit dem mitgelieferten Bohrer/Meißelfett schmieren. **(Abb. 1)**

Einsatzwerkzeug drehend in die Werkzeugaufnahme einführen und einschieben, bis es einrastet. **(Abb. 2)**

Sollte das Einsatzwerkzeug nicht einzuschieben sein, ziehen Sie es wieder heraus und betätigen Sie die Werkzeugverriegelung zwei- bis dreimal. Anschließend den Vorgang wiederholen. **(Abb. 3)**


Prüfen Sie nach jedem Montagevorgang den sicheren Sitz des Einsatzwerkzeugs durch Zugversuch.

Zur Demontage des Einsatzwerkzeugs die Werkzeugverriegelung bis zum Anschlag in Richtung Maschinengehäuse ziehen und das Einsatzwerkzeug entnehmen. **(Abb. 4)**

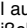
### Wahl der Betriebsart

Zur Wahl der Betriebsart stellen Sie zuerst den Betriebsartenschalter und den Umschalthebel auf die in **Abb. 5** gezeigte Position. Gehen Sie dann folgendermaßen vor.


### Drehung mit Hammerbohren (Abb. 6 und 7)

Zum Bohren in Beton, Granit, Ziegelstein usw. drücken Sie den Entriegelungsknopf und drehen den Betriebsartenschalter, bis der Pfeil auf das Symbol  weist. Verwenden Sie nur HM-bestückte Hammerbohrer.

### Meißelbetrieb (Abb. 6 und 8)

Für Meißelbetrieb Entriegelungsknopf drücken und Betriebsartenschalter drehen, bis der Pfeil auf das Symbol  zeigt. Verwenden Sie einen spitzmeißel, Flachmeißel, Stemmeißel usw.

### Bohren (Abb. 6 und 9)

Zum Bohren in Holz, Metall oder Kunststoff den Umschalthebel so drehen, daß das Symbol  auf den Zeiger am Betriebsartenschalter ausgerichtet ist. Einen Spiral- oder Holzbohrer verwenden.

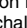
VORSICHT:

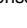
- Drehen Sie den Betriebsartenschalter und/oder den Umschalthebel nicht, wenn die Maschine unter Belastung läuft. Die Maschine wird sonst beschädigt.
- Um schnellen Verschleiß des Betriebsart-Schaltmechanismus zu vermeiden, achten Sie stets darauf, daß der Betriebsartenschalter und/oder der Umschalthebel einwandfrei in einer der drei Betriebsartpositionen eingerastet ist.
- Die Betriebsart kann nicht direkt von "Schlagen" auf "Bohren" oder von "Bohren" auf "Schlagen" umgeschaltet werden. Zuerst müssen Betriebsartenschalter und Umschalthebel auf die in **Abb. 5** gezeigte Betriebsartposition "Bohren und Schlagen" gestellt werden. Dann müssen sie auf die Position "Schlagen" bzw. "Bohren" gestellt werden.

### Einsatzwerkzeugposition (beim Meißeln, Stemmen oder Abräumen)

Vorsicht:

Vergewissern Sie sich vor Änderung der Einsatzwerkzeugposition, daß die Maschine abgeschaltet und der Netzstecker gezogen ist.

Das Einsatzwerkzeug kann in 12 verschiedenen Positionen gesichert werden. Zur Änderung der Position Entriegelungsknopf drücken und den Betriebsartenschalter mit dem Pfeil auf Symbol  stellen. Das Einsatzwerkzeug in die gewünschte Position drehen. **(Abb. 10)**

Entriegelungsknopf drücken und Betriebsartenschalter mit dem Pfeil auf Symbol  stellen.

Prüfen Sie den sicheren Sitz des Einsatzwerkzeugs durch Drehversuch. **(Abb. 11)**

### Seitengriff (Abb. 12)

VORSICHT:

- Zum Erhalt der Betriebssicherheit ist der Seitengriff beim Hammerbohrbetrieb stets zu verwenden.
- Beim Bohren in eisenbewehrtem Beton kann das Einsatzwerkzeug blockieren und so die Rutschkupplung der Maschine auslösen. Achten Sie daher auf sicheren Stand und halten Sie die Maschine sicher mit beiden Händen fest, um die hohen Rückdrehmomente aufzufangen.

Der Seitengriff wird durch Linksdrehung gelöst und kann zu beiden Seiten geschwenkt werden, um die Maschine in jeder Arbeitsposition sicher halten zu können. Durch Rechtsdrehung wird der Seitengriff gegen Verdrehen gesichert.

### Schalterfunktion (Abb. 13)

VORSICHT:

Vergewissern Sie sich vor dem Anschließen der Maschine an das Stromnetz stets, daß der EIN/AUS-Schalter ordnungsgemäß funktioniert und beim Loslassen in die AUS-Stellung zurückkehrt.

Zum Einschalten drücken Sie einfach den EIN/AUS-Schalter. Zum Ausschalten lassen Sie den Schalter los.

### Drehzahl-/Schlagzahlvorbwahl (Abb. 14)


Die Drehzahl-/Schlagzahlvorbwahl der Maschine kann am Drehzahl-Stellrad vorgewählt werden. Das Drehzahl-Stellrad ist von "1" (niedrigste Schlagzahl) bis "6" (höchste Schlagzahl) markiert. Die nachstehende Tabelle zeigt den Zusammenhang zwischen der vorgewählten Einstell- und der Schlag-/Drehzahl.

Einstellung Drehzahl- Stellrad	Drehzahl	Schlagzahl (min <sup>-1</sup> )
6	720	3 300
5	690	3 150
4	590	2 700
3	490	2 250
2	390	1 800
1	360	1 650

## Hammerbohren (Abb. 15)

### VORSICHT:

Beim Bohren in eisenbewehrtem Beton kann das Einsatzwerkzeug blockieren und so die Rutschkupplung der Maschine auslösen. Achten Sie daher auf sicheren Stand und halten Sie die Maschine sicher mit beiden Händen fest, um die hohen Rückdrehmomente aufzufangen.

Betriebsartenschalter und Umschalthebel auf das Symbol  stellen. Den Bohrer auf die Bohrstelle setzen, dann den Ein-Aus-Schalter drücken. Keinen übermäßigen

Druck auf die Maschine ausüben. Leichter Druck liefert die besten Ergebnisse. Die Maschine in Position halten und Abrutschen vom Loch vermeiden.


## Drehmomentbegrenzung

Die Rutschkupplung der Maschine begrenzt das Drehmoment auf einen werkseitig eingestellten Maximalwert. Bei Auslösen trennt die Rutschkupplung den Antrieb von der Bohrspindel und das Einsatzwerkzeug kommt zum Stillstand.

### VORSICHT:

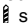
Bei Auslösen der Rutschkupplung Maschine sofort abschalten, um frühzeitigen Verschleiß zu vermeiden.

## Meißelbetrieb (Abb. 16)

Betriebsartenschalter und Umschalthebel auf das Symbol  stellen. Die Maschine sicher mit beiden Händen festhalten. Die Maschine einschalten und mit leichtem Druck führen, damit sie nicht unkontrolliert springt. Übermäßige Druckausübung auf die Maschine bewirkt keine Erhöhung der Arbeitsleistung.

## Bohren (Abb. 17)

Verwenden Sie das als Sonderzubehör erhältliche Bohrfutter mit montiertem Bohrfutteradapter. Zur Montage gehen Sie wie im Abschnitt "Montage bzw. Demontage Drehrichtungsumschalter" beschrieben vor. Stellen Sie den Betriebsartenschalter auf die Position Drehbohren. Die maximale Bohrleistung beträgt in Metall 13 mm und in Holz 30 mm.

Betriebsartenschalter und Umschalthebel auf das Symbol  stellen.

### • Bohren in Holz

Beim Bohren in Holz lassen sich die besten Ergebnisse mit Holzbohrern erzielen, die mit einer Gewindespitze ausgestattet sind. Die Gewindespitze erleichtert das Bohren, da sie den Bohrer in das Werkstück hineinzieht.

### • Bohren in Metall

Damit der Bohrer beim Anbohren nicht verläuft, ist die zu bohrende Stelle mit einem Körner anzukörnen. Dann setzen Sie den Bohrer in die Vertiefung ein und beginnen mit dem Bohren.

Verwenden Sie beim Bohren von Metall ein Schneidöl. Messing wird allerdings ohne Zugabe von Schneidemulsionen bearbeitet.

### VORSICHT:

• Ein zu starker Druck auf die Maschine bewirkt keine Beschleunigung der Bohrleistung. Ein zu hoher Schnittdruck führt zu einer Beschädigung der Bohrspitze und damit zu Verringerung der Bohrerstandzeit und Überbeanspruchung der Maschine.

• Bei montiertem Bohrfutteradapter mit dem Bohrfutter darf keinesfalls die Betriebsart "Hammerbohren" gewählt werden.

## Tiefenanschlag (Abb. 18)

Zur Herstellung gleichbleibender Bohrtiefen kann der Tiefenanschlag verwendet werden. Lösen Sie dazu die Klemmschraube, stellen Sie den Tiefenanschlag auf die gewünschte Bohrtiefe und ziehen anschließend die Klemmschraube wieder fest.

### HINWEIS:

Bei Positionierung des Tiefenanschlages gegen das Getriebegehäuse kann dieser nicht verwendet werden.

## Kontrollleuchten (Abb. 19)

Beim Einschalten der Maschine leuchtet die grüne Netzkontrollleuchte auf. Sollte die Maschine nicht anlaufen, liegt ein Defekt des Motors, der Regelelektronik bzw. der Kohlebürsten vor. Sollte die Netzkontrollleuchte nicht leuchten und die Maschine sich nicht einschalten lassen, kann ein Schalter- bzw. Netzkabeldefekt vorliegen.

Die rote Wartungskontrollleuchte signalisiert den erforderlichen Kohlebürstenwechsel und Wartung. Die Maschine schaltet ca. 8 Betriebsstunden nach Aufleuchten der Wartungskontrollleuchte selbsttätig ab.

## WARTUNG

### VORSICHT:

Vor Arbeiten an der Maschine vergewissern Sie sich, daß sich der Schalter in der "OFF-" Position befindet und der Netzstecker gezogen ist.

## Auswechseln der Kohlebürsten (Abb. 20 u. 21)

Wenn die Kohlebürsten bis auf die Verschleißgrenze abgenutzt sind, wird der Motor automatisch abgeschaltet. In einem solchen Fall entfernen Sie die Schrauben, mit denen der Bürstenhalterdeckel befestigt ist und kohlebürstendeckel. Entfernen Sie den Bürstenhalterdeckel und wechseln Sie beide Kohlebürsten gleichzeitig aus. Verwenden Sie stets ein Paar identischer Kohlebürsten.

## Schmierung

Diese Maschine ist mit einem versiegelten Schmiersystem ausgestattet. Schmieren Sie die Maschine bei jedem Auswechseln der Kohlebürsten.

Lassen Sie die Maschine einige Minuten warmlaufen. Schalten Sie die Maschine aus und ziehen Sie den Netzstecker.

Lösen Sie die sechs Schrauben und entfernen Sie den Griff. Bitte beachten Sie die unterschiedlichen Schraubengrößen der oberen Schrauben. (Abb. 22)

Den Steckverbinder durch Ziehen abtrennen. (Abb. 23) Entfernen Sie den Kurbelgehäusedeckel mit dem Innensechskantschlüssel. (Abb. 24)

Stellen Sie die Maschine so auf eine Unterlage, daß sich das verbleibende Schmiermittel im Kurbelgehäuse sammeln kann (Werkzeugaufnahme nach oben gerichtet). Entfernen Sie das verbrauchte Schmiermittel mit einem Lappen und füllen Sie frisches Schmiermittel (30 g) ein. Verwenden Sie ausschließlich Original-Makita-Schmiermittel (Sonderzubehör). Wird mehr als die vorgeschriebene Menge (ca. 30 g) Schmiermittel eingefüllt, kann dies zu Betriebsstörungen und Getriebebeschäden führen. Bringen Sie dann den Kurbelgehäusedeckel wieder an und ziehen Sie ihn mit dem Innensechskantschlüssel fest. (Abb. 25)

Den Steckverbinder anschließen und den Griff wieder anbringen. (Abb. 26)

#### VORSICHT:

- Achten Sie sorgfältig darauf, daß die Steckverbinder oder elektrischen Leitungen nicht beschädigt werden, besonders beim Abwischen des verbrauchten Schmiermittels und beim Anbringen des Griffes.
- Ziehen Sie den Kurbelgehäusedeckel nicht übermäßig fest an. Er besteht aus Kunstharz und könnte beschädigt werden.

Um die Sicherheit und Zuverlässigkeit dieses Gerätes zu gewährleisten, sollten Reparatur-, Wartungs-, und Einstellarbeiten nur von Makita autorisierten Werkstätten oder Kundendienstzentren unter ausschließlicher Verwendung von Makita-Originalersatzteilen ausgeführt werden.

## ZUBEHÖR

#### VORSICHT:

Die folgenden Zubehörteile oder Vorrichtungen werden für den Einsatz mit der in dieser Anleitung beschriebenen Makita-Maschine empfohlen. Die Verwendung anderer Zubehörteile oder Vorrichtungen kann eine Verletzungsgefahr darstellen. Verwenden Sie Zubehörteile oder Vorrichtungen nur für ihren vorgesehenen Zweck.

Wenn Sie weitere Einzelheiten bezüglich dieser Zubehörteile benötigen, wenden Sie sich bitte an Ihre Makita-Kundendienststelle.

- SDS Plus Einsatzwerkzeug mit Hartmetallspitze
- Straßenaufreißer
- Kaltmeißel
- Hammerfett (30 g)
- Bohrerfett (100 g)
- Tiefenanzeige
- Schlagbirne
- Staubkappe
- Schutzbrille
- Bohrfutter
- Bohrfutterschlüssel S13
- Tragekoffer
- Seitengriff



### Visione generale

1	Grasso punta	11	Simbolo di "Rotazione soltanto"	22	Coperchio portaspazzole
2	Codolo	12	Per allentare	23	Tappo portaspazzole
3	Punta	13	Per stringere	24	Viti
4	Coperchio mandrino	14	Impugnatura laterale	25	Connettore
5	Leva di cambio	15	Interruttore	26	Nero
6	Leva di spostamento	16	Ghiera di regolazione	27	Bianco
7	Simbolo di "Rotazione con martellatura"	17	Vite di fissaggio	28	Tappo ingranaggio
8	Bottone di bloccaggio	18	Calibro di profondità	29	Chiave esagonale
9	Indice	19	Spia di accensione (verde)	30	Grasso per martello
10	Simbolo di "Martellatura soltanto"	20	Spia di funzionamento (rossa)	31	Mandrino per punte
		21	Cacciavite		

### DATI TECNICI

<b>Modello</b>	<b>HR3000C</b>
Capacità	
Punta con riporto al carburo di tungsteno .....	30 mm
Punta a corona .....	90 mm
Legno .....	30 mm
Acciaio .....	13 mm
Velocità a vuoto (min <sup>-1</sup> ) .....	360 – 720
Colpi/min. ....	1.650 – 3.300
Lunghezza totale .....	391 mm
Peso netto .....	4,8 kg

- Per il nostro programma di ricerca e sviluppo continui, i dati tecnici sono soggetti a modifiche senza preavviso.
- Nota: I dati tecnici potrebbero differire a seconda del paese di destinazione del modello.

### Alimentazione

L'utensile deve essere collegato ad una presa di corrente con la stessa tensione indicata sulla targhetta del nome, e può funzionare soltanto con la corrente alternata monofase. Esso ha un doppio isolamento in osservanza alle norme europee, per cui può essere usato con le prese di corrente sprovviste della messa a terra.

### Consigli per la sicurezza

Per la vostra sicurezza, riferitevi alle accluse istruzioni per la sicurezza.

### SPECIFICHE REGOLE DI SICUREZZA

**NON lasciare che la comodità o la familiarità con il prodotto (acquisita con l'uso ripetuto) sostituiscano la stretta osservanza delle norme di sicurezza per il martello rotativo. Se si usa questo utensile in modo insicuro o sbagliato, c'è pericolo di serie lesioni personali.**

1. **Indossare le protezioni delle orecchie.** Il rumore può causare la perdita dell'udito.
2. **Usare i manici ausiliari in dotazione all'utensile.** La perdita di controllo può causare lesioni personali.
3. **Tenere gli utensili elettrici per le superfici di presa isolate quando si eseguono operazioni in cui l'utensile da taglio potrebbe fare contatto con fili elettrici nascosti o con il suo stesso cavo di alimentazione.** Il contatto con un filo elettrico "sotto tensione" mette "sotto tensione" le parti metalliche esposte dando una scossa all'operatore.

4. **Indossare un cappello duro (casco di sicurezza), occhiali di protezione e/o una visiera. I comuni occhiali e gli occhiali da sole NON sono occhiali di protezione. Si raccomanda anche in modo particolare di indossare una mascherina antipolvere e guanti imbottiti.**
5. **Controllare che la punta sia fissata saldamente prima di cominciare il lavoro.**
6. **L'utensile produce normalmente delle vibrazioni durante il lavoro. Le viti potrebbero facilmente allentarsi, causando un guasto o un incidente. Controllare con cura che le viti siano strette saldamente prima di cominciare il lavoro.**
7. **Se fa freddo, oppure se non è stato usato per un lungo periodo di tempo, far scaldare l'utensile facendolo funzionare per qualche tempo a vuoto. Ciò scioglie il lubrificante. L'operazione di martellamento diventa difficile se l'utensile non è riscaldato sufficientemente.**
8. **I piedi devono sempre essere appoggiati saldamente.**  
**Accertarsi che non ci sia nessuno sotto quando si usa l'utensile in un posto alto.**
9. **Tenere saldamente l'utensile con entrambe le mani.**
10. **Non posare l'utensile lasciandolo funzionare.**
11. **Far funzionare l'utensile soltanto tenendolo in mano.**
12. **Non puntare l'utensile sulle persone nell'area in cui viene usato. La punta potrebbe essere espulsa causando lesioni serie.**
13. **Non toccare la punta o le parti vicine alla punta immediatamente dopo l'utilizzo dell'utensile. Esse potrebbero essere estremamente calde e causare bruciate.**
14. **Alcuni materiali contengono sostanze chimiche che potrebbero essere tossiche. Fare attenzione per evitare l'inalazione o il contatto con la pelle. Osservare i dati per la sicurezza forniti dal produttore del materiale.**

### CONSERVARE QUESTE ISTRUZIONI.

#### AVVERTIMENTO:

L'utilizzo SBAGLIATO o la mancata osservanza delle norme di sicurezza di questo manuale di istruzioni potrebbero causare lesioni serie.

## ISTRUZIONI PER L'USO

### Installazione o rimozione della punta

Importante:

Accertarsi sempre che l'utensile sia spento e staccato dalla presa di corrente prima di installare o di rimuovere la punta.

Pulire il codolo e applicare il grasso per punte fornito prima di installarla. (Fig. 1)

Inserire la punta nell'utensile. Girare la punta e spingerla finché non viene agganciata. (Fig. 2)

Se non è possibile spingere dentro la punta, toglierla, abbassare un paio di volte il coperchio del mandrino e inserire poi di nuovo la punta. Girare la punta e inserirla finché non viene agganciata. (Fig. 3)

Dopo l'installazione, accertarsi sempre che la punta sia fissata saldamente in posizione provando a tirarla fuori.

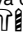
Per togliere la punta, abbassare completamente il coperchio del mandrino e tirare fuori la punta. (Fig. 4)

### Selezione del modo di funzionamento

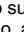
Quando si seleziona un modo di funzionamento, regolare prima la leva di cambio e la leva di spostamento sulla posizione mostrata nella Fig. 5.

Procedere poi come segue.

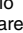
#### Rotazione con martellatura (Fig. 6 e 7)

Per trapanare il cemento armato, muratura, ecc., schiacciare il bottone di bloccaggio e girare la leva di cambio in modo che l'indice sia puntato sul simbolo . Usare una punta con riparto al carburo di tungsteno.

#### Martellatura soltanto (Fig. 6 e 8)

Per le operazioni di frammentazione, disincrostazione o demolizione, schiacciare il bottone di bloccaggio e ruotare la leva di cambio in modo che l'indice sia puntato sul simbolo . Usare una punta da roccia, un tagliolo a freddo, uno scalpello per disincrostare, ecc.

#### Rotazione soltanto (Fig. 6 e 9)

Per trapanare i materiali in legno, metallo o plastica, ruotare la leva di cambio in modo che il simbolo  sia allineato con l'indice sulla leva di cambio. Usare una punta elicoidale o una punta per legno.

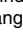
ATTENZIONE:

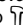
- Non ruotare la leva di cambio e/o la leva di spostamento mentre l'utensile gira sotto carico, perché altrimenti lo si può danneggiare.
- Per evitare la rapida usura del meccanismo del modo di cambio, accertarsi che la leva di cambio e/o la leva di spostamento siano sempre posizionate positivamente su una delle tre posizioni del modo di funzionamento.
- Il modo di funzionamento non può essere cambiato direttamente da "martellatura soltanto" a "rotazione soltanto" o da "rotazione soltanto" a "martellatura soltanto". Regolare prima la leva di cambio e la leva di spostamento sulla posizione del modo di "rotazione con martellatura" mostrato nella Fig. 5. Regolarle poi sulla posizione per "martellatura soltanto" o "rotazione soltanto".

### Angolo della punta (per frammentare, disincrostare o demolire)

Importante:

Accertarsi sempre che l'utensile sia spento e staccato dalla presa di corrente prima di cambiare l'angolo della punta.

La punta può essere fissata a 12 angoli diversi. Per cambiare l'angolo della punta, schiacciare il bottone di bloccaggio e ruotare la leva di cambio in modo che l'indice sia puntato sul simbolo . Girare la punta sull'angolo desiderato. (Fig. 10)

Schiacciare il bottone di bloccaggio e ruotare la leva di cambio in modo che l'indice sia puntato sul simbolo .

Accertarsi poi che la punta sia fissata saldamente in posizione girandola leggermente. (Fig. 11)

### Impugnatura laterale (Fig. 12)

ATTENZIONE:

- Usare sempre l'impugnatura laterale per la sicurezza trapanando il cemento armato, muratura, ecc.
- Quando la punta sta per trapanare completamente il cemento armato, oppure se urta contro le barre dell'armatura dentro il cemento, l'utensile potrebbe reagire violentemente. Mantenersi ben bilanciati e con i piedi ben piantati, tenendo saldamente l'utensile con entrambe le mani per evitare reazioni pericolose.

L'impugnatura laterale può essere spostata su entrambi i lati, permettendo un maneggiamento facile dell'utensile in qualsiasi posizione. Allentare l'impugnatura laterale girandola in senso antiorario, spostarla sulla posizione desiderata e fissarla poi girandola in senso orario.

### Funzionamento (Fig. 13)

ATTENZIONE:

Prima di collegare l'utensile alla presa di corrente, accertarsi sempre che l'interruttore funzioni correttamente e torni sulla posizione "OFF" quando viene rilasciato.

Per avviare l'utensile, schiacciare semplicemente l'interruttore. Rilasciare l'interruttore per arrestarlo.

### Cambiamento della velocità (Fig. 14)


I giri e i colpi al minuto possono essere regolati girando semplicemente la ghiera di regolazione. La ghiera è marcata da 1 (velocità minima) a 6 (velocità massima). Riferirsi alla tabella sotto per il rapporto tra le regolazioni dei numeri sulla ghiera e i giri/colpi al minuto.

Numero sulla ghiera di regolazione	Giri/minuto	Colpi/minuto
6	720	3.300
5	690	3.150
4	590	2.700
3	490	2.250
2	390	1.800
1	360	1.650

## Operazione di foratura con martellatura (Fig. 15)

### ATTENZIONE:

Quando la punta sta per trapanare completamente il cemento armato, oppure se urta contro le barre dell'armatura dentro il cemento, l'utensile potrebbe reagire violentemente. Mantenersi ben bilanciati e con i piedi ben piantati, tenendo saldamente l'utensile con entrambe le mani per evitare reazioni pericolose.

Regolare la leva di cambio e la leva di spostamento sul simbolo . Posizionare la punta sul punto del foro e schiacciare l'interruttore. Non forzare l'utensile. Una pressione leggera produce i risultati migliori.

Mantenere l'utensile in posizione per evitare che scivoli via dal foro.

Non esercitare una pressione maggiore se il foro diventa intasato di schegge o particelle. Fare invece girare l'utensile al minimo e rimuoverlo dal foro. Ripetendo diverse volte questa operazione si ripulisce il foro.

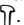
### Limitatore di coppia

Il limitatore di coppia entra in azione quando viene raggiunto un certo livello di coppia. Il motore allora si disinnesta dall'albero motore. In tal caso, la punta smette di girare.

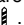
### ATTENZIONE:

Non appena il limitatore di coppia entra in azione, spegnere immediatamente l'utensile. Ciò ne previene l'usura prematura.

### Frammentazione/disincrostazione/demolizione (Fig. 16)

Regolare la leva di cambio e la leva di spostamento sul simbolo . Tenere saldamente l'utensile con entrambe le mani. Accendere l'utensile ed esercitare su di esso una leggera pressione in modo che non sbandi incontrollato. Premendo forte sull'utensile non se ne aumenta l'efficienza.

### Operazione di foratura (Fig. 17)

Usate il gruppo del mandrino per punte da trapano opzionale. Per installarlo, riferitevi a "Installazione o rimozione della punta da trapano" alla pagina precedente. Potete trapanare fori di un massimo di 13 mm di diametro nel metallo e di un massimo di 30 mm di diametro nel legno. Posizionare la leva di cambio e la leva di spostamento sul simbolo .

#### • Foratura del legno

Forando il legno si ottengono i risultati migliori con le punte per legno dotate di viti guida. La vite guida facilita la foratura spingendo la punta nel pezzo da lavorare.

#### • Foratura del metallo

Per evitare che la punta scivoli quando si comincia il foro, fare una intaccatura con la punta centrale e martellare sul punto da forare. Mettere la punta sull'intaccatura e cominciare a trapanare.

Per forare i metalli, usare un lubrificante di taglio. L'eccezione è l'ottone, che deve essere trapanato a secco.

### ATTENZIONE:

- Premendo eccessivamente sull'utensile non si accelera la foratura. Al contrario, una pressione eccessiva serve soltanto a danneggiare la punta e a ridurre le prestazioni e la vita dell'utensile.
- Non si deve mai usare la "rotazione con percussione" quando il gruppo del mandrino di perforazione è installato sull'utensile, perché altrimenti lo si può danneggiare.

## Calibro di profondità (Fig. 18)

Il calibro di profondità è comodo per trapanare fori a profondità uniformi. Allentare la vite di fissaggio e regolare il calibro alla profondità desiderata. Stringere saldamente la vite di fissaggio dopo la regolazione.

### NOTA:

il calibro di profondità non può essere usato dove va a sbattere contro l'alloggiamento dell'ingranaggio/ motore.

## Spia (Fig. 19)

La spia di accensione verde si illumina quando si accende l'utensile. Se la spia è accesa ma l'utensile non si avvia, potrebbe essere che le spazzole di carbone sono consumate, oppure che il circuito elettrico o il motore siano difettosi. Se la spia non si accende e l'utensile non si avvia, potrebbe essere che sia difettoso l'interruttore di accensione/ spegnimento o il cavo di alimentazione.

La spia rossa di funzionamento si accende quando le spazzole di carbone sono quasi consumate, per indicare che l'utensile richiede la manutenzione. Il motore si spegne automaticamente dopo circa 8 ore d'uso.

## MANUTENZIONE

### ATTENZIONE:

Prima di eseguire qualsiasi lavoro sull'utensile, accertatevi sempre che sia spenta e staccata dalla presa di corrente.

### Sostituzione delle spazzole di carbone (Fig. 20 e 21)

Ogni volta che le spazzole di carbone devono essere sostituite, l'utensile si spegne automaticamente. In tal caso, rimuovere le viti che fissano il coperchio delle spazzole di carbone e tappo portaspazzole. Togliere il coperchio e sostituire contemporaneamente entrambe le spazzole di carbone. Usare soltanto spazzole di carbone identiche.

### Lubrificazione

Non è necessario lubrificare l'utensile ogni ora o ogni giorno, perché è dotato del sistema di lubrificazione a grasso compresso. Lubrificare l'utensile ogni volta che vengono cambiate le spazzole di carbone.

Far girare l'utensile per diversi minuti per riscaldarlo. Spegnerlo e staccare il cavo di alimentazione dalla presa di corrente.

Allentare le sei viti e rimuovere il manico. Tener presente che le viti superiori sono diverse dalle altre. (Fig. 22)

Staccare il connettore tirandolo. (Fig. 23)

Rimuovere il tappo dell'ingranaggio usando una chiave esagonale. (Fig. 24)

Appoggiare l'utensile con l'estremità della punta rivolta in alto. Ciò permette al grasso vecchio di raccogliersi all'interno della scatola dell'ingranaggio. Pulire via il grasso vecchio dall'interno e sostituirlo con grasso nuovo (30 g). Usare soltanto grasso per martello Makita genuino (accessorio opzionale). Il rabbocco con una quantità di grasso maggiore di quella specificata (circa 30 g) potrebbe causare una martellatura difettosa o un guasto dell'utensile. Usare perciò soltanto la quantità di grasso specificata. Rimettere a posto il tappo dell'ingranaggio e stringerlo con la chiave esagonale. (Fig. 25)

Collegare il connettore e reinstallare il manico. (Fig. 26)

**ATTENZIONE:**

- Fare attenzione a non danneggiare i terminali o i fili elettrici, soprattutto quando si toglie il grasso vecchio o si installa il manico.
- Non stringere eccessivamente il tappo dell'ingranaggio. Esso è di resina e potrebbe rompersi.

Per mantenere la sicurezza e l'affidabilità del prodotto, le riparazioni, la manutenzione o le regolazioni dovrebbero essere eseguite da un centro di assistenza Makita autorizzato.

**ACCESSORI****ATTENZIONE:**

Per l'utensile specificato in questo manuale, si consigliano questi accessori o ricambi. L'utilizzo di altri accessori o ricambi può costituire un pericolo. Usare soltanto gli accessori o ricambi specificati per il loro utilizzo.

Per maggiori dettagli e l'assistenza, rivolgersi al Centro Assistenza Makita locale.

- Punta SDS Plus con riporto al carburo di tungsteno
- Punta toro
- Scalpello a freddo
- Grasso per martelli (30 g)
- Grasso per punte (100 g)
- Calibro di profondità
- Soffiapolvere
- Parapolvere
- Occhiali di protezione
- Mandrino trapano
- Chiave S13 per mandrino
- Valigetta di plastica
- Impugnatura laterale

**Verklaring van algemene gegevens**

1	Boorvet	12	Losdraaien	22	Kap van koolborstelhouder
2	Boorschacht	13	Vastdraaien	23	Dop van koolborstelhouder
3	Boor	14	Zijgreep	24	Schroeven
4	Boorkopdeksel	15	Trekschakelaar	25	Aansluitkleem
5	Wisselhefboom	16	Afsteldraaiknop	26	Zwart
6	Schakelhefboom	17	Klemschroef	27	Wit
7	“Boren plus hameren” symbool	18	Dieptemaat	28	Carterdop
8	Vergrendelknop	19	Spanning-INGESCHAKELD controlelampje (groen)	29	Zeskantsleutel
9	Wijzer	20	Slijtage-controlelampje (rood)	30	Smeervet voor hamermechanisme
10	“Alleen hameren” symbool	21	Schroevendraaier	31	Boorkop
11	“Alleen boren” symbool				

**TECHNISCHE GEGEVENS**

<b>Model</b>	<b>HR3000C</b>
Capaciteiten	
Boor met wolframcarbide punt .....	30 mm
Kernboor .....	90 mm
Hout .....	30 mm
Staal .....	13 mm
Toerental onbelast (min <sup>-1</sup> ) .....	360 – 720
Slagen per minuut .....	1 650 – 3 300
Totale lengte .....	391 mm
Netto gewicht .....	4,8 kg

- In verband met ononderbroken research en ontwikkeling behouden wij ons het recht voor bovenstaande technische gegevens te wijzigen zonder voorafgaande kennisgeving.
- Opmerking: De technische gegevens kunnen van land tot land verschillen.

**Stroomvoorziening**

De machine mag alleen worden aangesloten op een stroombron van hetzelfde voltage als aangegeven op de naamplaat, en kan alleen op enkel-fase wisselstroom worden gebruikt. De machine is dubbel-geïsoleerd volgens de Europese standaard en kan derhalve ook op een niet-geaard stopcontact worden aangesloten.

**Veiligheidswenken**

Voor uw veiligheid dient u de bijgevoegde Veiligheidsvoorschriften nauwkeurig op te volgen.

**AANVULLENDE  
VEILIGHEIDSVOORSCHRIFTEN**

Laat u NIET misleiden door een vals gevoel van comfort en bekendheid met het gereedschap (na veelvuldig gebruik) en neem alle veiligheidsvoorschriften van de boorhamer altijd strikt in acht. Bij onveilig of verkeerd gebruik van het gereedschap, bestaat de kans op ernstig persoonlijk letsel.

1. **Draag gehoorbescherming.** Blootstelling aan harde geluiden kan leiden tot gehoorbeschadiging.
2. **Gebruik de hulphandgrepen die bij het gereedschap worden geleverd.** Als u de controle over het gereedschap verliest, kan dit leiden tot ernstig persoonlijk letsel.
3. **Houd elektrisch gereedschap vast aan het geïsoleerde oppervlak van de handgrepen wanneer u werkt op plaatsen waar het zaaggereedschap met verborgen bedrading of zijn eigen snoer in aanraking kan komen.** Door contact met onder spanning staande draden, zullen de niet-geïsoleerde metalen delen van het gereedschap onder spanning komen te staan zodat de gebruiker een elektrische schok kan krijgen.

4. **Draag een veiligheidshelm, veiligheidsbril en/of gezichtsbescherming.** Een gewone bril of een zonnebril is GEEN veiligheidsbril. Het wordt tevens sterk aanbevolen een stofmasker en dik gevoerde handschoenen te dragen.
5. **Controleer dat het bit stevig op zijn plaats is vastgezet voordat u het gereedschap gebruikt.**
6. **Bij normale bediening behoort het gereedschap te trillen.** De schroeven kunnen gemakkelijk losraken, waardoor een defect of ongeluk kan ontstaan. Controleer of de schroeven goed zijn aangedraaid, alvorens het gereedschap te gebruiken.
7. **In koude weersomstandigheden of wanneer het gereedschap gedurende een lange tijd niet is gebruikt, laat u het gereedschap eerst opwarmen door het onbelast te laten werken.** Hierdoor zal de smering worden verbeterd. Zonder degelijk opwarmen, zal de hamerwerking moeilijk zijn.
8. **Zorg er altijd voor dat u stevig staat.** Zorg ervoor dat er niemand zich onder u bevindt wanneer u het gereedschap op een hoge plaats gebruikt.
9. **Houd het gereedschap met beide handen stevig vast.**
10. **Houd uw handen uit de buurt van bewegende delen.**
11. **Laat het gereedschap niet ingeschakeld liggen.** Bedien het gereedschap alleen wanneer u het vasthoudt.
12. **Richt het gereedschap niet op iemand in de buurt terwijl het is ingeschakeld.** Het bit zou eruit kunnen vliegen en iemand ernstig verwonden.
13. **Raak het bit en onderdelen in de buurt van het bit niet onmiddellijk na gebruik aan.** Zij kunnen bijzonder heet zijn en brandwonden op uw huid veroorzaken.
14. **Sommige materialen bevatten chemische stoffen die giftig kunnen zijn.** Neem de nodige voorzorgsmaatregelen tegen inademing van stof en contact met de huid. Volg de veiligheidsinstructies van de leverancier van het materiaal op.

**BEWAAR DEZE VOORSCHRIFTEN.**

**WAARSCHUWING:**

**VERKEERD GEBRUIK** of het niet naleven van de veiligheidsvoorschriften in deze gebruiksaanwijzing kan leiden tot ernstige verwondingen.

## BEDIENINGSVOORSCHRIFTEN

### Installeren of verwijderen van de boor

Belangrijk:

Controleer altijd of de machine is uitgeschakeld en de stekker uit het stopcontact is getrokken, alvorens de boor te installeren of te verwijderen.

Reinig de boorschacht en smeer er boorvet (bijgeleverd) op alvorens de boor te installeren. (Fig. 1)

Steek de boor in de machine. Draai de boor en duw deze naar binnen tot zij vergrendelt. (Fig. 2)

Indien de boor niet naar binnen kan worden geduwd, dient u deze eruit te nemen en het boorkopdeksel enkele keren omlaag te trekken. Steek dan de boor opnieuw erin. Draai de boor en duw deze naar binnen tot zij vergrendelt. (Fig. 3)


Nadat de boor is geïnstalleerd, moet u altijd controleren of de boor goed vastzit door te proberen hem eruit te trekken.

Om de boor te verwijderen, trekt u het boorkopdeksel helemaal omlaag en dan trekt u de boor eruit. (Fig. 4)

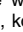
### Kiezen van de gewenste werking

Om een bepaalde werking te selecteren, dient u eerst de wisselhefboom en de schakelhefboom in de positie afgebeeld in Fig. 5 te zetten. Ga daarna als volgt te werk.


#### Boren plus hameren (Fig. 6 en 7)

Voor boren in beton, metselwerk e.d., drukt u de vergrendelknop in en draait u de wisselhefboom zodat de wijzer naar het  symbool wijst. Gebruik een boor met een wolframcarbide punt.

#### Alleen hameren (Fig. 6 en 8)

Voor beitelen, afbikken of slopen, drukt u de vergrendelknop in en draait u de wisselhefboom zodat de wijzer naar het  symbool wijst. Gebruik een bull point, koudbeitel, bikbeitel, enz.

#### Alleen boren (Fig. 6 en 9)

Voor boren in hout, metaal of plastic materialen, draait u de schakelhefboom zodat het  symbool op één lijn komt met de wijzer op de wisselhefboom. Gebruik een spiraalboor of een houtboor.

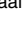
LET OP:

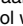
- Wijzig de positie van de wisselhefboom en/of de schakelhefboom niet terwijl de machine nog belast draait, aangezien de machine daardoor beschadigd zal raken.
- Om vroegtijdige slijtage van het wisselmechanisme te voorkomen, dient u de wisselhefboom en/of de schakelhefboom altijd juist in een van de drie werkingsposities te zetten.
- De werkingspositie kan niet direct van “alleen hameren” naar “alleen boren” en niet direct van “alleen boren” naar “alleen hameren” worden veranderd. Zet de wisselhefboom en de schakelhefboom eerst in de “boren plus hameren” positie afgebeeld in Fig. 5. Zet deze daarna in de positie voor “alleen hameren” of “alleen boren”.

### Boorhoek (voor beitelen, afbikken of slopen)

Belangrijk:

Controleer altijd of de machine is uitgeschakeld en de stekker uit het stopcontact is getrokken, alvorens de boorhoek te wijzigen.

De boor kan bij 12 verschillende hoeken worden vastgezet. Om de boorhoek te wijzigen, drukt u de vergrendelknop in en draait u de wisselhefboom zodat de wijzer naar het  symbool wijst. Draai de boor naar de gewenste hoek. (Fig. 10)

Druk de vergrendelknop in en draai de wisselhefboom zodat de wijzer naar het  symbool wijst.

Draai daarna de boor een beetje om te controleren of deze goed vastzit. (Fig. 11)

### Zijgreep (Fig. 12)

LET OP:

- Om een veilige bediening te verzekeren, dient u de zijgreep altijd te gebruiken wanneer u gaat boren in beton, metselwerk, enz.
- Wanneer de boor door het beton heenkomt of op betonijzer stuit, kan de machine gevaarlijk vooruit- of terugschieten. Bewaar daarom tijdens het boren een goede balans en een stevige steun voor de voeten, en houd de machine met beide handen stevig vast.

De zijgreep kan naar beide zijden van de machine worden gedraaid, zodat de machine in elke positie gemakkelijk te hanteren is. Draai de zijgreep naar links los, draai hem naar de gewenste stand en draai hem vervolgens naar rechts vast.

### Werking van de schakelaar (Fig. 13)

LET OP:

Alvorens de stekker op een stopcontact aan te sluiten, dient u altijd te controleren of de trekschakelaar goed werkt en bij loslaten naar de “OFF” positie terugkeert.

Om de machine te starten, drukt u de trekschakelaar gewoon in. Laat de trekschakelaar los om te stoppen.

### Afstellen van de draaisnelheid (Fig. 14)


U kunt het aantal omwentelingen en slagen per minuut wijzigen door de afsteldraaiknop te verdraaien. De cijfers op de draaiknop geven de draaisnelheid aan van 1 (minimum) tot 6 (maximum). Raadpleeg de onderstaande tabel voor de verhouding tussen de cijfers op de draaiknop en het aantal omwentelingen/slagen per minuut.

Cijfers op draaiknop	Omwentelingen per minuut	Slagen per minuut
6	720	3 300
5	690	3 150
4	590	2 700
3	490	2 250
2	390	1 800
1	360	1 650

## Hamerboren (Fig. 15)

### LET OP:

Wanneer de boor door het beton heenkomt of op betonijzer stuit, kan de machine gevaarlijk vooruit- of terugschieten. Bewaar daarom tijdens het boren een goede balans en een stevige steun voor de voeten, en houd de machine met beide handen stevig vast.

Zet de wisselhefboom en de schakelhefboom in de  positie. Plaats de punt van de boor op de plaats waar geboord moet worden en druk dan de trekschakelaar in. Forceer de machine niet. Een lichte druk geeft de beste resultaten. Houd de machine stevig op zijn plaats en zorg dat deze niet uit het boorgat wegslijpt.

Oefen geen grotere druk uit op de machine wanneer het gat vol raakt met boorspanen of gruis. Laat in plaats daarvan de machine onbelast draaien en verwijder deze uit het gat. Door dit enkele keren te herhalen wordt het gat gezuiverd.


## Koppelbegrenzer

De koppelbegrenzer wordt geactiveerd wanneer een bepaald koppel wordt bereikt. De motor wordt dan ontkoppeld van de uitgangsas. Wanneer dit gebeurt, zal de boor ophouden met draaien.

### LET OP:


Schakel de machine uit zodra de koppelbegrenzer wordt geactiveerd. Hierdoor wordt vroegtijdige slijtage van de machine voorkomen.

## Beitelen/Afbikken/Slopen (Fig. 16)

Zet de wisselhefboom en de schakelhefboom in de  positie. Houd de machine met beide handen stevig vast. Schakel de machine in en oefen niet meer druk uit op de machine dan nodig is om deze onder controle te houden. Door grote kracht op de machine uit te oefenen verloopt het werk niet sneller.

## Boren (Fig. 17)

Gebruik de los verkrijgbare boorkopmontage. Om deze te monteren, zie "Aanbrengen of verwijderen van de boor" op de vorige pagina. U kunt nu boren tot een diameter van maximaal 13 mm in metaal en een diameter van maximaal 30 mm in hout.

Zet de wisselhefboom en de schakelhefboom in de  positie.

### • Boren in hout

Voor boren in hout krijgt u de beste resultaten met houtboren die voorzien zijn van een geleideschroef. Het boren gaat dan gemakkelijker aangezien de geleideschroef de boor in het hout trekt.

### • Boren in metaal

Wanneer u begint te boren, gebeurt het vaak dat de boor slijpt. Om dit te voorkomen, slaat u van tevoren met een drevel een deukje in het metaal op de plaats waar u wilt boren. Plaats vervolgens de boor in het deukje en start het boren.

Gebruik altijd boorolie wanneer u in metaal boort. De enige uitzonderingen is koper dat droog geboord dient te worden.

### LET OP:

• Door overmatige druk op het gereedschap uit te oefenen verloopt het boren niet sneller. Integendeel, teveel druk op het gereedschap zal alleen maar de boorpunt beschadigen, de prestatie van het gereedschap verminderen en de gebruiksduur verkorten.

• Gebruik nooit "roteren met hameren" wanneer de boorkop op het gereedschap is gemonteerd. De boorkop kan hierdoor namelijk beschadigd raken.

## Dieptemaat (Fig. 18)

De dieptemaat is handig voor het boren van gaten van gelijke diepte. Draai de klemmschroef los, stel de dieptemaat af op de gewenste diepte, en draai dan de klemmschroef weer stevig vast.

### OPMERKING:

De dieptemaat kan niet worden gebruikt in de positie waar deze tegen het tandwielhuis/motorhuis aanstoot.

## Controlelampje (Fig. 19)

Het groene spanning-INGESCHAKELD controlelampje gaat aan wanneer de machine wordt INGESCHAKELD. Indien het controlelampje brandt maar de machine niet start, zijn de koolborstels mogelijk versleten of is er een defect in de elektrische keten of de motor. Indien het controlelampje niet aangaat en de machine niet start, is de AAN/UIT schakelaar of het netsnoer mogelijk defect.

Het rode slijtage-controlelampje gaat aan wanneer de koolborstels bijna versleten zijn, om aan te geven dat de machine een onderhoudsbeurt nodig heeft. Na ongeveer 8 gebruiksuren zal de motor automatisch afslaan.

## ONDERHOUD

### LET OP:

Zorg er altijd voor dat de machine is uitgeschakeld en de stekker uit het stopcontact is verwijderd alvorens onderhoud aan de machine uit te voeren.

## Vervangen van de koolborstels (Fig. 20 en 21)

Wanneer de koolborstels aan vervanging toe zijn, wordt de machine automatisch uitgeschakeld. Wanneer dit gebeurt, gaat u als volgt te werk. Verwijder de borgschroeven van de borstelhouderkap en verwijder de borstelhouderkap en dop van koolborstelhouder. Vervang dan beide koolborstels tegelijkertijd. Gebruik uitsluitend identieke koolborstels.

## Smeren

Deze machine hoeft niet om het uur of dagelijks te worden gesmeerd, aangezien zij voorzien is van een met vet gevuld smeersysteem. Smeer de machine telkens wanneer de koolborstels worden vervangen.

Laat de machine enkele minuten warmdraaien. Schakel dan de machine uit en trek de stekker uit het stopcontact. Draai de zes schroeven los en verwijder de handgreep. Let erop dat de bovenste schroeven verschillen van de andere schroeven. (Fig. 22)

Trek aan de aansluitklem om deze los te maken. (Fig. 23) Verwijder de carterdop met behulp van een zeskantsleutel. (Fig. 24)

Plaats de machine op een tafel met de boorpunt naar boven, zodat het oude smeervet in het carter wordt verzameld. Verwijder dit oude smeervet en vervang het door vers smeervet (30 g). Gebruik uitsluitend origineel Makita smeervet voor hamermechanismen (los verkrijgbaar). Indien u meer dan de voorgeschreven hoeveelheid smeervet (ongeveer 30 g) bijvult, kunnen storingen optreden in het hameren of in de werking van de machine. Vul daarom niet meer smeervet bij dan de voorgeschreven hoeveelheid. Breng de carterdop weer aan en draai deze vast met de zeskantsleutel. (Fig. 25) Sluit de aansluitklem aan en breng de handgreep opnieuw aan. (Fig. 26)

#### LET OP:

- Pas op dat u de aansluitklemmen of de leidingdraden niet beschadigt. Wees vooral voorzichtig tijdens het verwijderen van het oud smeervet en het aanbrengen van de handgreep.
- Draai de carterdop niet te vast aan. Deze is gemaakt van hars en is derhalve breekbaar.

Opdat de machine veilig en betrouwbaar blijft, dienen alle reparaties, onderhoud of afstellingen te worden uitgevoerd bij een erkend Makita service centrum.

## ACCESSOIRES

#### LET OP:

Deze accessoires of hulpstukken worden aanbevolen voor gebruik met het Makita gereedschap dat in deze gebruiksaanwijzing wordt beschreven. Het gebruik van andere accessoires of hulpstukken kan gevaar voor persoonlijke verwonding opleveren. Gebruik de accessoires of hulpstukken uitsluitend voor het gespecificeerde doel.

Wenst u meer informatie over deze accessoires, neem dan contact op met het dichtstbijzijnde Makita service-centrum.

- SDS Plus boor met wolframcarbide punt
- Puntbeitel
- Koudbeitel
- Smeervet voor hamermechanisme (30 g)
- Boorvet (100 g)
- Dieptemaat
- Blaaspeer
- Stofdop
- Veiligheidsbril
- Boorkop
- Boorkopsleutel S13
- Plastic draagkoffer
- Zijhandgreep



Explicación de los dibujos

1 Grasa para el implemento	11 Símbolo de “giro solamente”	21 Destornillador
2 Espiga del implemento	12 Aflojar	22 Cubierta del portaescobillas
3 Implemento	13 Apretar	23 Tapón del portaescobillas
4 Cubierta del mandril	14 Empuñadura lateral	24 Tornillos
5 Palanca de cambio de modo de accionamiento	15 Gatillo interruptor	25 Conector
6 Palanca de conmutación	16 Dial de ajuste	26 Negro
7 Símbolo de “giro con martillo”	17 Tornillo de fijación	27 Blanco
8 Botón de bloqueo	18 Medidor de profundidad	28 Tapón del cárter
9 Puntero	19 Lámpara (verde) indicadora de encendido	29 Llave hexagonal
10 Símbolo de “martillo solamente”	20 Lámpara (roja) indicadora de servicio	30 Grasa para martillo
		31 Mandril

ESPECIFICACIONES

<b>Modelo</b>	<b>HR3000C</b>
Capacidades	
Broca de punta de carburo de tungsteno .....	30 mm
Broca de núcleo .....	90 mm
Madera .....	30 mm
Acero .....	13 mm
Velocidad en vacío (min <sup>-1</sup> ) .....	360 – 720
Percusiones por minuto .....	1.650 – 3.300
Longitud total .....	391 mm
Peso neto .....	4,8 kg

- Debido a un programa continuo de investigación y desarrollo, las especificaciones aquí dadas están sujetas a cambios sin previo aviso.
- Nota: Las especificaciones pueden ser diferentes de país a país.

Alimentación

La herramienta ha de conectarse solamente a una fuente de alimentación de la misma tensión que la indicada en la placa de características, y sólo puede funcionar con corriente alterna monofásica. El sistema de doble aislamiento de la herramienta cumple con la norma europea y puede, por lo tanto, usarse también en enchufes hembra sin conductor de tierra.

Sugerencias de seguridad

Para su propia seguridad, consulte las instrucciones de seguridad incluidas.

NORMAS DE SEGURIDAD ESPECÍFICAS

NO deje que la comodidad o familiaridad con el producto (a base de utilizarlo repetidamente) sustituya la estricta observancia de las normas de seguridad para el martillo rotativo. Si utiliza esta herramienta de forma no segura o incorrecta, podrá sufrir graves heridas personales.

1. **Póngase protectores de oídos.** La exposición al ruido puede producir pérdida auditiva.
2. **Utilice los mangos auxiliares suministrados con la herramienta.** Una pérdida del control puede ocasionar heridas personales.
3. **Sujete las herramientas eléctricas por las superficies de asimiento aisladas cuando realice una operación en la que la herramienta de corte pueda entrar en contacto con cableado oculto o con su propio cable.** El contacto con un cable con corriente hará que la corriente circule por las partes metálicas expuestas de la herramienta y podrá electrocutar al operario.

4. **Póngase casco rígido (casco de seguridad), gafas de seguridad y/o máscara facial.** Las gafas normales o de sol NO sirven para proteger los ojos. También es muy recomendado que utilice una máscara contra el polvo y guantes bien almohadillados.
5. **Asegúrese de que el implemento esté bien sujeto antes de iniciar la operación.**
6. **La herramienta ha sido diseñada para que produzca vibración en operación normal.** Los tornillos pueden aflojarse fácilmente, pudiendo ocasionar una rotura o accidente. Compruebe el apriete de los tornillos cuidadosamente antes de iniciar la operación.
7. **En tiempo frío o cuando la herramienta no haya sido utilizada durante largo tiempo, deje calentar la herramienta durante un rato haciéndola funcionar sin carga.** Esto agilizará la lubricación. Sin un calentamiento apropiado, la operación de percusión resultará difícil de realizar.
8. **Asegúrese siempre de que tiene suelo firme.** Asegúrese de que no haya nadie debajo cuando utilice la herramienta en lugares altos.
9. **Sujete la herramienta firmemente con ambas manos.**
10. **Mantenga las manos alejadas de las partes en movimiento.**
11. **No deje la herramienta en marcha.** Tenga en marcha la herramienta solamente cuando la tenga en la mano.
12. **No apunte la herramienta hacia nadie en el lugar cuando la esté utilizando.** El implemento podría salir disparado y herir a alguien seriamente.
13. **No toque el implemento ni partes cercanas a él inmediatamente después de la operación;** podrán estar muy calientes y quemarle la piel.
14. **Algunos materiales contienen sustancias químicas que podrán ser tóxicas.** Tenga precaución para evitar la inhalación de polvo y el contacto con la piel. Siga los datos de seguridad del abastecedor del material.

GUARDE ESTAS INSTRUCCIONES.

ADVERTENCIA:

EL MAL USO o el no seguir las normas de seguridad establecidas en este manual de instrucciones podrá ocasionar graves heridas personales.

## INTRUCCIONES PARA EL FUNCIONAMIENTO

### Instalación o extracción del implemento

Importante:

Asegúrese siempre de que la máquina esté desconectada y desenchufada antes de instalar o extraer el implemento.

Limpie la espiga del implemento y aplique la grasa para implemento provista antes de instalarlo. (Fig. 1)

Introduzca el implemento en la herramienta. Gire el implemento y empújelo hacia dentro hasta que se acople. (Fig. 2)

Si el implemento no puede empujarse hacia adentro, retírelo. Tire de la cubierta del mandril hacia abajo unas cuantas veces. Luego vuelva a introducir el implemento. Gire el implemento y empújelo hacia dentro hasta que se acople. (Fig. 3)


Después de instalar el implemento, trate siempre de sacarlo para asegurarse de que haya quedado bien sujeto en su lugar.

Para extraer el implemento, tire de la cubierta del mandril hacia abajo todo lo que dé de sí y saque el implemento. (Fig. 4)

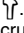
### Selección del modo de accionamiento

Cuando seleccione el modo de accionamiento, ponga primero la palanca de cambio de modo de accionamiento y la palanca de conmutación en la posición mostrada en la Fig. 5. Luego prosiga como se indica a continuación.

#### Giro con martilleo (Fig. 6 y 7)

Para taladrar en hormigón, cemento, etc., presione el botón de bloqueo y gire la palanca de cambio de accionamiento de manera que el puntero apunte al símbolo . Emplee una broca de punta de carbono de tungsteno.


#### Sólo martilleo (Fig. 6 y 8)

Para picar, desincrustar o demoler, presione el botón de bloqueo y gire la palanca de cambio de modo de accionamiento de manera que el puntero apunte al símbolo . Emplee un implemento para picar, cortafrío, desincrustador, etc.

PRECAUCIÓN:

- No gire la palanca de cambio de modo de accionamiento estando la herramienta funcionando con carga. La herramienta se dañará.
- Para evitar que el mecanismo de cambio de modo de accionamiento se desgaste rápidamente, asegúrese de que la palanca de cambio esté siempre situada positivamente en una de las dos posiciones de modo de accionamiento.

#### Giro solamente (Fig. 6 y 9)

Para taladrar madera, metal o materiales de plástico, gire la palanca de conmutación de manera que el símbolo  quede alineado con el puntero de la palanca de cambio de modo de accionamiento. Utilice una broca helicoidal o broca para madera.

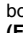
PRECAUCIÓN:

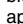
- No gire la palanca de cambio de modo de accionamiento y/o la palanca de conmutación cuando la herramienta esté funcionando con carga. La herramienta se dañará.
- Para evitar que el mecanismo de cambio de modo de accionamiento se desgaste prematuramente, asegúrese de que la palanca de cambio de modo de accionamiento y/o la palanca de conmutación esté siempre ubicada positivamente en una de las tres posiciones de modo de accionamiento.
- El modo de accionamiento no se puede cambiar directamente de "martilleo solamente" a "giro solamente" ni de "giro solamente" a "martilleo solamente". Ponga primero la palanca de cambio de modo de accionamiento y la palanca de conmutación en la posición de "giro con martilleo" mostrada en la Fig. 5. Luego póngalas en la posición de "martilleo solamente" o "giro solamente".

### Ángulo del implemento (para picar, desincrustar o demoler)

Importante:

Asegúrese siempre de que la herramienta esté desconectada y desenchufada antes de cambiar el ángulo del implemento.

El implemento puede asegurarse en 12 ángulos diferentes. Para cambiar el ángulo, presione el botón de bloqueo y gire la palanca de cambio de modo de accionamiento de manera que el puntero apunte al símbolo . Gire el implemento hasta el ángulo deseado. (Fig. 10)

Presione el botón de bloqueo y gire la palanca de cambio de modo de accionamiento de manera que el puntero apunte al símbolo .

Luego asegúrese de que el implemento esté bien sujeto en su lugar girándolo ligeramente. (Fig. 11)

### Empuñadura lateral (Fig. 12)

PRECAUCIÓN:

- Cuando taladre hormigón, cemento, etc., utilice siempre la empuñadura lateral para trabajar con seguridad.
- Cuando la broca comience a penetrar en el hormigón o si se topa con varillas de refuerzo dentro del hormigón, la herramienta podrá reaccionar peligrosamente. Conserve un buen equilibrio y ponga los pies en una posición segura mientras sostiene firmemente la herramienta con ambas manos para evitar reacciones peligrosas.

La empuñadura lateral puede girarse hacia los lados, permitiendo un manejo fácil de la herramienta en cualquier posición. Afloje la empuñadura lateral girándola hacia la izquierda, póngala en la posición deseada y luego apriétela girándola hacia la derecha.

### Accionamiento del interruptor (Fig. 13)

PRECAUCIÓN:

Antes de enchufar la herramienta, compruebe siempre para ver si el interruptor de gatillo se acciona correctamente y regresa a la posición "OFF" cuando se libera.

Para encender la herramienta, simplemente presione el gatillo. Suelte el gatillo para apagar la herramienta.

### Cambio de velocidad (Fig. 14)

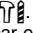
Las revoluciones y las percusiones por minuto pueden ajustarse girando el dial de ajuste. El dial está marcado con los números 1 (velocidad más baja) a 6 (velocidad máxima). Consulte la tabla de abajo para ver la relación que hay entre el número ajustado y las revoluciones/percusiones por minuto.

Número del dial de ajuste	Revoluciones por minuto	Percusiones por minuto
6	720	3.300
5	690	3.150
4	590	2.700
3	490	2.250
2	390	1.800
1	360	1.650

### Operación de taladrado con percusión (Fig. 15)

#### PRECAUCIÓN:

Cuando la broca comience a penetrar en el hormigón o si se topa con varillas de refuerzo dentro del hormigón, la herramienta podrá reaccionar peligrosamente. Conserve un buen equilibrio y ponga los pies en una posición segura mientras sostiene firmemente la herramienta con ambas manos para evitar reacciones peligrosas.

Ponga la palanca de cambio de modo de accionamiento y la palanca de conmutación en el símbolo . Posicione la broca en el lugar donde vaya a practicar el agujero, luego presione el gatillo. No fuerce la herramienta. Los mejores resultados se obtienen con una ligera presión. Sujete la herramienta en posición y evite que se mueva del agujero.

No aplique mayor presión cuando el agujero quede atascado con virutas o partículas. Sí, en cambio, ponga la herramienta en marcha mínima, y luego saque parcialmente la broca del agujero. Repitiendo esta operación varias veces, el agujero quedará limpio.

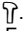
### Limitador de torsión

El limitador de torsión se acciona cuando se alcanza cierto nivel de torsión. El motor se desacoplará del eje motriz. Cuando se dé el caso, la broca dejará de girar.

#### PRECAUCIÓN:


Cuando se accione el limitador de torsión, apague la herramienta inmediatamente. Esto ayudará a evitar un desgaste prematuro de la herramienta.

### Para picar/desincrustar/demoler (Fig. 16)

Ponga la palanca de cambio de modo de accionamiento y la palanca de conmutación en el símbolo . Sujete la herramienta firmemente con ambas manos. Encienda la herramienta y aplique una ligera presión sobre ella de manera que no rebote de forma incontrolada. Ejerciendo mucha presión sobre la herramienta no se aumentará la eficiencia.

### Operación de taladrado (Fig. 17)

Utilice el conjunto de mandril opcional. Cuando lo instale, consulte "Instalación o extracción de la broca" descrita en la página anterior. Podrá perforar agujeros de hasta 13 mm de diámetro en metal y agujeros de hasta 30 mm de diámetro en madera.

Ponga la palanca de cambio de modo de accionamiento y la de conmutación en la posición del símbolo .

#### • Para taladrar madera

Cuando se taladre madera, los mejores resultados se obtendrán con brocas para madera equipadas con tornillo guía. El tornillo guía facilita el taladrado al tirar de la broca hacia el interior de la pieza de trabajo.

#### • Para taladrar metal

Para evitar que la broca resbale al comenzar a taladrar, haga una mella con un punzón y martillo en el punto donde vaya a taladrar. Coloque la punta de la broca en la mella y comience a taladrar.

Emplee un lubricante para operaciones de corte cuando taladre metales. Las excepciones son latón que deberá ser taladrado en seco.

#### PRECAUCIÓN:

• Con ejercer una presión excesiva sobre la herramienta no conseguirá taladrar más de prisa. De hecho, esta presión excesiva sólo servirá para dañar la punta de la broca, disminuir el rendimiento de la herramienta y acortar su vida útil.

• Nunca use "rotación con martilleo" cuando el conjunto del mandril esté instalado en la herramienta. El conjunto del mandril podría estropearse.

### Medidor de profundidad (Fig. 18)

El medidor de profundidad es útil para taladrar agujeros de profundidad uniforme. Afloje el tornillo de fijación y ajuste el medidor de profundidad a la profundidad deseada. Después de ajustar la profundidad, apriete firmemente el tornillo de fijación.

#### NOTA:

El medidor de profundidad no puede utilizarse en la posición donde golpea contra el alojamiento de engranajes/alojamiento del motor.

### Lámpara indicadora (Fig. 19)

La lámpara verde indicadora de encendido se enciende cuando se pone en marcha la herramienta. Si la lámpara indicadora se enciende pero la herramienta no se pone en marcha, las escobillas de carbón podrán estar desgastadas, o el circuito eléctrico o el motor podrá tener algún fallo. Si la lámpara indicadora no se enciende y la herramienta no se pone en marcha, el interruptor de gatillo o el cable de alimentación podrán tener algún fallo.

La lámpara roja indicadora de servicio se enciende cuando las escobillas de carbón están casi desgastadas para indicar que la herramienta necesita servicio. Después de aproximadamente 8 horas de uso, el motor se parará automáticamente.

## MANTENIMIENTO

### PRECAUCIÓN:

Asegúrese siempre de que la herramienta esté desconectada y desenchufada antes de realizar ninguna reparación en ella.

### Reemplazo de las escobillas de carbón

#### (Fig. 20 y 21)

Cuando haya que reemplazar las escobillas de carbón, éstas pararán la herramienta automáticamente. Cuando se dé el caso, retire los tornillos que sujetan la cubierta del portaescobillas. Retire la cubierta del portaescobillas y tapón del portaesco. Luego, reemplace ambas escobillas de carbón al mismo tiempo. Emplee solamente escobillas de carbón idénticas a las que quita.

### Lubricación

Esta herramienta no necesita de un engrase cada cierto número de horas o diario porque está dotada de un sistema de lubricación de engrase integrado. Lubrique la herramienta cada vez que reemplace las escobillas de carbón.

Deje la herramienta encendida durante unos minutos para que se caliente. Luego apáguela y desenchúfela.

Afloje los seis tornillos y retire el mango. Tenga en cuenta que los tornillos de la parte superior son diferentes a los demás. (Fig. 22)

Desconecte el conector tirando de él. (Fig. 23)

Retire el tapón del cárter con una llave hexagonal. (Fig. 24)

Coloque la herramienta sobre una mesa con el extremo de la broca apuntando hacia arriba. De esta manera, la grasa vieja se acumulará en el interior de la carcasa del cárter. Limpie la grasa vieja del interior y ponga otra nueva (30 g). Emplee solamente grasa Makita genuina para martillo (accesorio opcional). Si pone una cantidad de grasa mayor de la especificada (unos 30 g), podrá causar un martillo defectuoso o que la herramienta no funcione bien. Eche solamente la cantidad especificada de grasa. Vuelva a colocar el tapón del cárter y apriételo con la llave hexagonal. (Fig. 25)

Conecte el conector y vuelva a instalar el mango. (Fig. 26)

### PRECAUCIÓN:

- Tenga cuidado de no dañar los terminales o cables conductores, especialmente al limpiar la grasa vieja o al instalar el mango.
- No lo apriete demasiado el tapón del cárter. Está hecho de resina y podría romperse.

Para mantener la seguridad y fiabilidad del producto, las reparaciones, el mantenimiento y los ajustes deberán ser realizados por un Centro de Servicio Autorizado de Makita.

## AACCESORIOS

### PRECAUCIÓN:

Estos accesorios o acoplamientos están recomendados para utilizar con la herramienta Makita especificada en este manual. El empleo de otros accesorios o acoplamientos conllevará un riesgo de sufrir heridas personales. Utilice los accesorios o acoplamientos solamente para su fin establecido.

Si necesita cualquier ayuda para más detalles en relación con estos accesorios, pregunte al centro de servicio Makita local.

- Implemento de punta de carburo de tungsteno SDS-plus
- Puntero
- Cortatríos
- Grasa para martillo (30 g)
- Grasa para broca (100 g)
- Medidor de profundidad
- Soplador
- Protector de polvo
- Gafas de seguridad
- Mandril
- Llave de mandril S13
- Maletín de plástico
- Empuñadura lateral

## Explicação geral

1 Lubrificante para broca	12 Desapertar	21 Chave de parafusos
2 Encaixe da broca	13 Apertar	22 Cobertura do porta-escovas
3 Broca	14 Punho lateral	23 Tampa do porta-escovas
4 Cobertura do mandril	15 Gatilho	24 Parafusos
5 Selector	16 Anel de regulação	25 Conector
6 Alavanca de mudança	17 Parafuso de aperto	26 Preto
7 Símbolo de "Rotação com percussão"	18 Guia de profundidade	27 Branco
8 Botão de bloqueio	19 Lâmpada indicadora de alimentação-ON (verde)	28 Tampa do excêntrico
9 Indicador	20 Lâmpada indicadora de manutenção (vermelha)	29 Chave hexagonal
10 Símbolo de "Só percussão"		30 Lubrificante para martelo
11 Símbolo de "Só rotação"		31 Mandril

## ESPECIFICAÇÕES

**Modelo** **HR3000C**

### Capacidades

Broca de carboneto de tungsténio .....	30 mm
Broca de coroa .....	90 mm
Madeira .....	30 mm
Aço .....	13 mm
Velocidade em vazio (min <sup>-1</sup> ) .....	360 – 720
Impactos por minuto .....	1.650 – 3.300
Comprimento total .....	391 mm
Peso líquido .....	4,8 kg

- Devido a um programa contínuo de pesquisa e desenvolvimento, estas especificações podem ser alteradas sem aviso prévio.
- Nota: As especificações podem variar de país para país.

### Alimentação

A ferramenta só deve ser ligada a uma fonte de alimentação com a mesma voltagem da indicada na placa de características, e só funciona com alimentação CA monofásica. Tem um sistema de isolamento duplo de acordo com as normas europeias e pode, por isso, utilizar tomadas sem ligação à terra.

### Conselhos de segurança

Para sua segurança, leia as instruções anexas.

## REGRAS DE SEGURANÇA ESPECIFICAS

**NÃO permita que conforto ou familiaridade com o produto (adquirido com o uso repetido) substituam aderência às regras de segurança do martelo rotativo. Se utilizar esta ferramenta sem segurança ou incorrectamente podem ocorrer danos pessoais graves.**

1. **Use protectores para os ouvidos.** A exposição ao ruído pode causar perda de audição.
2. **Utilize as pegas auxiliares fornecidas com a ferramenta.** A perda de controlo pode causar danos pessoais.
3. **Agarre nas ferramentas eléctricas pelas partes isoladas quando executa uma operação em que a ferramenta de corte pode entrar em contacto com qualquer fio escondido ou com o seu próprio cabo.** Contacto com um fio "vivo" fará com que as partes metálicas expostas da ferramenta fiquem "vivas" e choquem o operador.

4. **Use um capacete (de segurança), óculos de segurança e/ou uma máscara para a cara.** Óculos normais ou de sol **NÃO** são óculos de segurança. Também se recomenda a utilização de máscara contra o pó e luvas almofadadas.
5. **Certifique-se de que a broca está bem presa antes de começar a operação.**
6. **Em condições normais a ferramenta produz vibração. Os parafusos podem facilmente soltar-se causando um acidente ou avaria. Verifique cuidadosamente o aperto dos parafusos antes da operação.**
7. **Em tempo frio ou quando a ferramenta não foi utilizada durante muito tempo, deixe a ferramenta aquecer durante certo tempo antes de a utilizar. Para a lubrificar. Sem isso, a operação será difícil.**
8. **Mantenha-se sempre em equilíbrio. Certifique-se que ninguém está por baixo quando trabalha em locais altos.**
9. **Agarre na ferramenta firmemente com as duas mãos.**
10. **Mantenha as mãos afastadas das partes rotativas.**
11. **Não deixe a ferramenta funcionar. Só funcione com a ferramenta quando a estiver a agarrar.**
12. **Não aponte a ferramenta a ninguém perto quando estiver a trabalhar. A broca pode soltar-se e ferir alguém.**
13. **Não toque na broca ou partes próximas depois da operação, podem estar quentes e queimar a sua pele.**
14. **Alguns materiais contêm químicos que podem ser tóxicos. Tenha cuidado para evitar inalação de pó e contacto com a pele. Cumpra os dados de segurança do fornecedor do material.**

## GUARDE ESTAS INSTRUÇÕES.

### AVISO:

**MÁ INTERPRETAÇÃO** ou não seguimento das regras de segurança estabelecidas neste manual de instruções pode causar danos pessoais sérios.

## INSTRUÇÕES DE FUNCIONAMENTO

### Instalação ou extracção da broca

Importante:

Certifique-se sempre de que a ferramenta está desligada e a ficha retirada da tomada antes de colocar ou retirar a broca.

Limpe o encaixe da broca e aplique o lubrificante da broca fornecido antes de colocar a broca. (Fig. 1)

Coloque a broca na ferramenta. Rode a broca e empurre-a até que fique presa. (Fig. 2)

Se não conseguir empurrar a broca, retire-a. Puxe para baixo algumas vezes a cobertura do mandril. Em seguida volte a colocar a broca. Rode a broca e empurre-a até que fique presa. (Fig. 3)

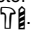
Depois da colocação, certifique-se sempre de que a broca está bem presa no lugar tentado tirá-la.

Para retirar a broca, empurre a cobertura do mandril completamente para baixo e retire a broca. (Fig. 4)

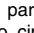
### Seleção do modo de funcionamento

Quando selecciona um modo de acção, coloque primeiro o selector e a alavanca de mudança na posição indicada na Fig. 5. Em seguida execute o seguinte.

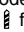
#### Rotação com percussão (Fig. 6 e 7)

Para perfurar betão, cimento, etc., pressione o botão de bloqueio e rode o selector de modo a que o indicador aponte para o símbolo . Utilize uma broca de carbono de tungsténio.

#### Só percussão (Fig. 6 e 8)

Para operações de corte, descasque ou demolição pressione o botão de bloqueio e rode o selector de modo a que o indicador aponte para o símbolo . Utilize uma ponteira, talhadeira a frio, cinzel para encastre, etc.

#### Só rotação (Fig. 6 e 9)

Para perfurar em madeira, metal ou materiais plásticos, rode a alavanca de mudança de modo a que o símbolo  fique alinhado com o ponteiro no selector. Utilize uma broca espiral ou uma broca para madeira.


#### PRECAUÇÃO:

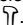
- Não rode o selector e/ou a alavanca de mudança quando a máquina está a rodar com carga. Pode estragar a máquina.
- Para evitar desgaste rápido no mecanismo de mudança de modo, certifique-se de que o selector e/ou a alavanca de mudança estão sempre localizados correctamente num dos três modos de acção.
- O modo de acção não pode ser mudado directamente de “só percussão” para “só rotação” ou de “só rotação” para “só percussão”. Primeiro coloque o selector e a alavanca de mudança na posição do modo “rotação com percussão” indicado na Fig. 5. Em seguida coloque-os na posição “só percussão” ou “só rotação”.

### Ângulo da broca (para cortar, descascar ou demolir)

Importante:

Certifique-se sempre de que a ferramenta está desligada e a ficha retirada da tomada antes de mudar o ângulo da broca.

A broca pode ser presa em 12 ângulos diferentes. Para mudar o ângulo da broca, pressione o botão de bloqueio e rode o selector de modo a que o indicador aponte para o símbolo . Rode a broca para o ângulo desejado. (Fig. 10)

Pressione o botão de bloqueio e rode o selector de modo a que o indicador aponte para o símbolo .

Em seguida certifique-se de que a broca está bem presa rodando-a ligeiramente. (Fig. 11)

### Punho lateral (Fig. 12)

#### PRECAUÇÃO:

- Para uma operação segura utilize sempre o punho lateral quando perfura betão, pedra, etc.
- Quando a ferramenta começa a partir betão ou se a broca bater num varão reforçado dentro do betão, a ferramenta pode reagir perigosamente. Mantenha-se em equilíbrio e com os pés bem assentes e pegando na ferramenta firmemente com as duas mãos para evitar uma reacção perigosa.

O punho lateral roda à volta para qualquer lado, permitindo um fácil manuseamento da ferramenta em qualquer posição. Liberte o punho lateral rodando-o no sentido oposto ao dos ponteiros do relógio, coloque-o na posição desejada e em seguida aperte-o rodando-o no sentido dos ponteiros do relógio.

### Acção do interruptor (Fig. 13)

#### PRECAUÇÃO:

Antes de ligar a ferramenta à corrente verifique sempre se o gatilho do interruptor funciona adequadamente e volta para a posição “OFF” quando libertado.

Para ligar a ferramenta carregue simplesmente no gatilho. Liberte o gatilho para parar.

### Mudança de velocidade (Fig. 14)


As rotações e impactos por minuto podem ser ajustadas rodando simplesmente o anel de regulação. O anel está marcado de 1 (velocidade mais baixa) a 6 (máxima velocidade). Refira-se à tabela abaixo para a relação entre o número ajustado no anel e o número de rotações/impactos por minuto.

Número no anel de regulação	Rotações por minuto	Impactos por minuto
6	720	3.300
5	690	3.150
4	590	2.700
3	490	2.250
2	390	1.800
1	360	1.650

## Operação de perfuração com martelo (Fig. 15)

### PRECAUÇÃO:

Quando a ferramenta começa a partir betão ou se a broca bater num varão reforçado dentro do betão, a ferramenta pode reagir perigosamente. Mantenha-se em equilíbrio e com os pés bem assentes e pegando na ferramenta firmemente com as duas mãos para evitar uma reacção perigosa.

Coloque o selector e a alavanca de mudança no símbolo . Posicione a broca no local a furar e carregue no gatilho. Não force a ferramenta. Obtem melhores resultados com pressão ligeira. Mantenha a ferramenta na posição e evite que saia do orifício.

Não exerça mais pressão quando o buraco ficar bloqueado com aparas ou partículas. Nesse caso, funcione com a ferramenta de lado e em seguida retire-a do orifício. Repetindo este procedimento várias vezes o orifício ficará limpo.


### Limitador do binário

O limitador do binário actuará quando é atingido um certo nível do binário. O motor desengata-se do eixo de saída. Quando isto acontece, a broca pára de rodar.

### PRECAUÇÃO:


Assim que o limitador do binário actuar, desligue imediatamente a ferramenta. Isto evitará desgaste prematuro da ferramenta.

## Corte/Descasque/Demolição (Fig. 16)

Coloque o selector e a alavanca de mudança no símbolo . Pegue na ferramenta firmemente com as duas mãos. Ligue a ferramenta e exerça uma ligeira pressão na ferramenta de modo a que não salte, descontrolada. Pressão demasiada não aumentará a eficiência.

## Operação de perfuração (Fig. 17)

Utilize o conjunto opcional de mandril. Quando o instalar, veja as instruções em “Colocação e extracção da broca” descritas anteriormente. Pode perfurar até 13 mm de diâmetro em metal e até 30 mm de diâmetro em madeira.

Coloque o selector e a alavanca de mudança no símbolo .

- Em madeira  
Quando perfurar madeira obterá melhores resultados se utilizar uma broca equipada com uma guia. A guia facilita a perfuração, dirigindo a broca na superfície de trabalho.
- Em metal  
Para evitar que a broca resvale quando estiver a iniciar a perfuração, faça uma marca com um punção e um martelo no ponto onde deseje perfurar. Coloque a ponta da broca na marca e comece a perfuração.  
Quando perfurar metais utilize um lubrificante, excepto em latão que deve ser perfurado a seco.

### PRECAUÇÃO:

- Não acelerará a perfuração se exercer demasiada pressão na ferramenta. Se o fizer, poderá danificar a ponta da broca, diminuir o rendimento e encurtar o tempo de vida útil da ferramenta.
- Nunca utilize “rotação com martelo” quando o conjunto do mandril está colocado na ferramenta. O conjunto do mandril pode estragar-se.

## Guia de profundidade (Fig. 18)

A guia de profundidade é conveniente para perfurar orifícios com profundidade uniforme. Desaperte a porca de fixação e regule a guia de profundidade para a profundidade desejada. Depois de ajustar aperte seguramente a porca de fixação.

### NOTA:

A guia de profundidade não pode ser utilizada na posição onde toca na caixa do motor/velocidades.

## Lâmpada indicadora (Fig. 19)

A lâmpada indicadora verde de alimentação acende-se quando liga a ferramenta. Se a lâmpada indicadora estiver acesa e a ferramenta não começar a funcionar, as escovas de carvão podem estar gastas ou o circuito eléctrico ou o motor estragados. Se a lâmpada indicadora não se acender e a ferramenta não começar a funcionar, o interruptor ON/OFF ou o cabo da alimentação podem estar estragados.

A lâmpada vermelha indicadora de manutenção acende-se quando as escovas de carvão estão quase gastas para indicar que a ferramenta necessita de manutenção. Depois de aproximadamente 8 horas o motor pára automaticamente.

## MANUTENÇÃO

### PRECAUÇÃO:

Certifique-se sempre de que a ferramenta está desligada e a ficha retirada da tomada antes de efectuar qualquer inspecção e manutenção.

## Substituição das escovas de carvão (Fig. 20 e 21)

Quando as escovas de carvão necessitam de ser substituídas, estas páram a ferramenta automaticamente. Quando isto ocorrer, retire os parafusos que prendem a cobertura do porta-escovas. Retire a cobertura do porta-escovas e tampa do porta-escovas. Em seguida substitua ambas as escovas de carvão ao mesmo tempo. Utilize apenas escovas de carvão iguais.

## Lubrificação

Esta ferramenta não necessita de lubrificação frequente ou diária porque tem um sistema de lubrificação incorporado. Lubrifique a ferramenta sempre que substituir as escovas de carvão.

Porque a ferramenta a funcionar durante uns minutos para aquecer. Desligue-a e retire a ficha da tomada.

Desaperte os seis parafusos e retire a pega. Note que os parafusos superiores são diferentes dos outros. (Fig. 22)

Desligue o conector puxando-o. (Fig. 23)

Retire a tampa do excêntrico com uma chave hexagonal. (Fig. 24)

Coloque a ferramenta sobre uma bancada com a ponta da broca virada para cima. Isto fará com que o lubrificante usado recolha à caixa do excêntrico. Retire o lubrificante usado e substitua-o por outro novo (30 gr.). Só utilize lubrificante da Makita (acessório opcional). Colocar mais do que a quantidade especificada (aprox. 30 gr.) pode prejudicar o funcionamento ou avariar a ferramenta. Coloque só a quantidade especificada. Volte a colocar a tampa do excêntrico e aperte-a com a chave hexagonal. (Fig. 25)

Ligue o conector e volte a colocar a pega. (Fig. 26)

#### **PRECAUÇÃO:**

- Tenha cuidado para não estragar os terminais ou os fios eléctricos especialmente quando retira o lubrificante usado ou coloca a pega.
- Não aperte excessivamente a tampa do excêntrico. É feita de resina e pode partir-se.

Para salvaguardar a segurança e a fiabilidade do produto, as reparações, manutenção e afinações deverão ser sempre efectuadas por um Centro de Assistência Oficial MAKITA.

### **ACESSÓRIOS**

#### **PRECAUÇÃO:**

Estes acessórios ou acoplamentos são os recomendados para uso na ferramenta MAKITA especificada neste manual. A utilização de qualquer outro acessórios ou acoplamento poderá ser perigosa para o operador. Os acessórios ou acoplamentos devem ser utilizados de maneira adequada e apenas para os fins a que se destinam.

No caso de necessitar ajuda para mais detalhes sobre estes acessórios, consulte ao departamento de assistência local da Makita.

- Broca de carboneto de tungsténio SDS Plus
- Ponteiro
- Talhadeira a frio
- Mass lubrificante para o martelo (30 gr.)
- Massa lubrificante para a broca (100 gr.)
- Indicador de profundidade
- Soprador
- Recipiente para o pó
- Oculos de protecção
- Mandril
- Chave do mandril S13
- Mala de transporte de plástico
- Punho lateral



## Illustrationsoversigt

1 Fedt	11 Symbol for "kun rotation"	21 Skruetrækker
2 Bor/mejsel	12 Løsne	22 Dækplade
3 Bor	13 Stramme	23 Kuldæksel
4 Værktøjsholder	14 Sidegreb	24 Skruer
5 Drejestop	15 Afbryder	25 Konnektor
6 Skiftearm	16 Justeringssskive	26 Sort
7 Symbol for "rotation med hammerboring"	17 Blokeringsskrue	27 Hvid
8 Låseknop	18 Dybdeanslag	28 Oliedæksel
9 Viser	19 Tændt (Power ON) indikator lampe (grøn)	29 Sekskantsnøgle
10 Symbol for "kun hammerboring"	20 Drifts-indikator lampe (rød)	30 Hammerolie
		31 Borepatron

## SPECIFIKATIONER

Model	HR3000C
Kapacitet	
Hammerbor .....	30 mm
Borekrone .....	90 mm
Træ .....	30 mm
Stål .....	13 mm
Omdrejninger (min <sup>-1</sup> ) .....	360–720
Slagantal per minut .....	1 650–3 300
Længde .....	391 mm
Vægt .....	4,8 kg

- Ret til tekniske ændringer forbeholdes.
- Bemærk: Tekniske data kan variere fra land til land.

## Netsspænding

Maskinen må kun tilsluttes den netspænding, der er angivet på typeskiltet. Maskinen arbejder på enkeltfasets vekselspænding og er dobbeltisoleret iht. de europæiske normer og må derfor tilsluttes en stikkontakt uden jordtilslutning.

## Sikkerhedsforskrifter

For Deres egen sikkerheds skyld bør De sætte Dem ind i sikkerhedsforskrifterne.

## SPECIFIKKE SIKKERHEDSFORSKRIFTER

**LAD IKKE bekvemmelighed eller kendskab til produktet (opnået gennem gentagen brug) forhindre, at sikkerhedsforskrifterne for borehammeren nøje overholdes.** Hvis De anvender denne maskine uforvarsomt og fejlagtigt, er der risiko for, at De kan komme alvorligt til skade.

1. **Brug høreværn.** Udsættelse for støj kan medføre høretab.
2. **Brug de hjælpehåndtag, som følger med maskinen.** Hvis De mister herredømmet over maskinen, er der risiko for, at De kan komme alvorligt til skade.
3. **Hold altid el-værktøj i de isolerede greb, når der udføres arbejde, hvor den skærende maskine kan komme i berøring med skjulte ledninger eller dens egen ledning.** Kontakt med en strømførende ledning vil bevirke, at udsatte metaldele på maskinen bliver strømførende, hvilket vil give operatøren stød.
4. **Bær stålhjelm (sikkerhedshjelm), sikkerhedsbriller og /eller ansigtsmaske.** Almindelige briller eller solbriller er IKKE sikkerhedsbriller. Det anbefales også stærkt, at De bruger støvmaske og kraftige, polstrede handsker.

5. **Sørg for, at boret sidder godt fast, inden De begynder at arbejde.**
6. **Under normal anvendelse vil maskinen frembringe vibrationer.** Skrueerne kan nemt løsne sig, hvilket kan føre til maskinsammenbrud eller en ulykke. Kontroller altid omhyggeligt, at skrueerne er stramme, inden De begynder at bruge maskinen.
7. **I koldt vejr eller hvis maskinen ikke har været anvendt i et længere tidsrum, skal De give maskinen tid til varme op i et stykke tid ved at lade den køre ubelastet.** Dette vil løsne smørelsen. Uden ordentlig opvarmning vil hammerarbejde være vanskeligt.
8. **Sørg altid for at have et godt fodfæste.** Sørg for, at der ikke befinder sig nogen personer nedenunder, når De arbejder i højden.
9. **Hold altid godt fast i maskinen med begge hænder.**
10. **Hold hænderne væk fra de bevægelige dele.**
11. **Lad ikke maskinen køre, når den ikke skal bruges.** Anvend kun maskinen håndholdt.
12. **Ret ikke maskinen mod nogen i området, når De arbejder.** Boret kan blive slynget ud, hvorved omkringstående kan komme til skade.
13. **Lad være med at røre ved boret eller nogen af de dele, som er tæt ved boret, umiddelbart efter anvendelsen.** De kan være meget varme og være årsag til hudforbrændinger.
14. **En del materialer indeholder kemikalier, som kan være giftige.** Sørg for at forhindre inhalering af støv og kontakt med huden. Følg fabrikantens sikkerhedsforskrifter.

## GEM DISSE FORSKRIFTER.

## ADVARSEL:

**MISBRUG** eller forsømmelse af at følge de i denne brugsvejledning givne sikkerhedsforskrifter kan føre til, at De kommer alvorligt til skade. **ANVENDELSE**

## Montering af Værktøj

Vigtigt:

Før montering eller demontering af værktøj skal De sikre Dem, at maskinen er slukket og netstikket trukket ud.

Rengør værktøjet og smør med fedt før montering. (Fig. 1)

Sæt værktøjet i værktøjsholderen, drej det og skub det i helt ind til det låser. (Fig. 2)

Hvis værktøjet ikke kan skubbes ind, trækkes i værktøjsholderen et par gange og der forsøges igen. (Fig. 3)

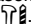
Drej og træk i værktøjet for at kontrollere at det er korrekt monteret.

Værktøjet fjernes ved at trække værktøjsholderen helt tilbage og samtidig trække værktøjet ud. (Fig. 4)

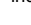
## Valg af funktion

Når der vælges en funktion, sættes drejestoppet og skiftearmen først til positionen, der er vist i Fig. 5. Fortsæt derefter som følger.


### Hammerboring (Fig. 6 og 7)

Ved boring i beton eller lignende trykkes låseknappen ind og drejestoppet drejes så viseren står på .

### Mejselarbejde (Fig. 6 og 8)

Ved mejselarbejde trykkes låseknappen ind og drejestoppet drejes så viseren står på .

### Kun rotation (Fig. 6 og 9)

Ved boring i træ, metal eller plasticmaterialer drejes skiftearmen, så  symbolet er rettet ind efter viseren på drejestoppet. Benyt et spiralbor eller et træbor.


ADVARSEL:

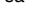
- Drej ikke drejestoppet og/eller skiftearmen, mens maskinen arbejder. Det kan beskadige maskinen.
- For at undgå unødigt slid på funktionsskiftmekanismen, skal drejestoppet og/eller skiftearmen altid stå præcist på en af de tre funktionsindstillinger.
- Funktionsindstillingen kan ikke ændres direkte fra "kun hammerboring" til "kun rotation" eller fra "kun rotation" til "kun hammerboring". Sæt først drejestoppet og skiftearmen til indstillingen for funktionen med "rotation med hammerboring", som vist i Fig. 5. Sæt derefter begge til positionen for "kun hammerboring" eller "kun rotation".

## Mejselvinkel

Vigtigt:

Før indstilling af mejselvinkel skal De sikre Dem, at maskinen er slukket og netstikket trukket ud.

Mejslen kan monteres i 12 forskellige vinkler. Vinklen ændres ved at trykke låseknappen ind og dreje drejestoppet så viseren står på  symbolet. Drej mejslen til den ønskede vinkel. (Fig. 10)

Tryk låseknappen ind og drej drejestoppet så viseren står på .

Drej og træk i mejslen for at kontrollere at den er korrekt monteret. (Fig. 11)

## Sidegreb (Fig. 12)

ADVARSEL:

- Anvend altid sidegrebet for at opretholde betjeningsikkerheden når der bores i beton, murværk o.lign.
- Når boret begynder at bryde igennem beton, eller rammer armeringsjern i betonen, kan maskinen reagere på farlig vis. Forebyg farlige reaktioner ved at sørge for at være i god balance og beholde et sikkert fodfæste, samtidigt med at maskinen holdes fast med begge hænder.

Sidegrebet kan drejes til begge sider hvilket muliggør sikker betjening af maskinen i en hvilken som helst stilling. Sidegrebet løsnes ved at dreje det mod uret, dreje det til det til den ønskede stilling og dernæst stramme det til med uret.

## Afbryderfunktion (Fig. 13)

ADVARSEL:

Før netstikket sættes i, bør det altid kontrolleres at afbryderkontakten fungerer korrekt og springer tilbage til "OFF" positionen, når den slippes.

Start maskinen ved blot at trykke på kontakten. Slip den for at stoppe.

## Hastighedsændring (Fig. 14)

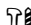
Omdrejninger og slagantal per minut kan justeres ved at dreje justeringsskiven. Skiven er markeret fra 1 (laveste hastighed) til 6 (højeste hastighed). Se nedenstående tabel for forholdet mellem tallene på justeringsskiven og omdrejninger/slag per minut.

Tal på justeringsskiven	Omdrejninger per minut	Slagantal per minut
6	720	3 300
5	690	3 150
4	590	2 700
3	490	2 250
2	390	1 800
1	360	1 650

## Hammerboring (Fig. 15)

ADVARSEL:

Når boret begynder at bryde igennem beton, eller rammer armeringsjern i betonen, kan maskinen reagere på farlig vis. Forebyg farlige reaktioner ved at sørge for at være i god balance og beholde et sikkert fodfæste, samtidigt med at maskinen holdes fast med begge hænder.

Sæt drejestoppet og skiftearmen til  symbolet. Placer boret på det sted, hvor hullet skal bores, og tryk på kontakten. Anvend ikke magt. Med et let tryk opnås de bedste resultater. Hold boret mod hullet og sørg for, at det ikke rutscher væk.

Tryk ikke yderligere såfremt borehullet stoppes af støv eller spåner. Lad istedet maskinen køre i tomgang og træk boret ud af hullet. Ved at gentage dette nogle gange, bliver hullet rent.

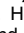
## Momentbegrænser

Momentbegrænseren går i gang når et vist drejningsmoment er nået. Motoren frakobler udgangsakslen. Når det sker, holder boret op med at dreje rundt.

### ADVARSEL:

Når momentbegrænseren går i gang, bør maskinen slukkes øjeblikkeligt. Det vil forhindre for tidlig nedslidning af maskinen.

## Mejselarbejde/Afskalning/Nedbrydning (Fig. 16)

Sæt drejestoppet og skiftearmen til  symbolet. Hold godt fast på maskinen med begge hænder. Tænd for maskinen og læg et let tryk på maskinen, så den ikke arbejder ukontrolleret. Stærkt tryk på maskinen øger ikke effektiviteten.

## Boring (Fig. 17)

Brug borepatronsættet (ekstratilbehør). Ved montering af dette sæt gås frem som beskrevet i afsnittet "Montering og afmontering af boret". Den maksimale borekapacitet i metal er på 13 mm og i træ er den på 30 mm.

Sæt drejestoppet og skiftearmen til  symbolet.

### • Boring i træ

Ved boring i træ opnås det bedste resultat med træborudstyret med en centerspids. Centerspidsen gør boringen lettere, idet den trækker værktøjet ind i emnet.

### • Boring i metal

For at forhindre at værktøjet skrider, når der startes på et hul, bør der laves en fordybning med en kørne og en hammer på det sted, hvor hullet skal bores. Placer spidsen af værktøjet i fordybningen og start boringen. Anvend skæresmørelse, når der bores i metal. Undtaget er messing, som skal bores tørt.

### ADVARSEL:

- Overdrevent tryk på maskinen vil ikke gøre boringen hurtigere. I virkeligheden vil det kun medvirke til at beskadige spidsen på værktøjet, og dermed forkorte maskinens levetid.
- Anvend ikke "hammerboring" funktionen når borepatronen er monteret på værktøjet. Borepatronen kan blive beskadiget.

## Dybdeanslag (Fig. 18)

Dybdeanslag er godt når der skal bores huller af samme dybde. Blokeringsskruen løsnes og dybdeanslaget justeres til den ønskede dybde. Efter justeringen strammes skruen godt til igen.

### BEMÆRK:

Dybdeanslaget kan ikke anvendes i den indstilling hvor det slår imod gearhuset/motorhuset.

## Indikatorlamper (Fig. 19)

Når maskinen kører normalt, lyser den grønne lampe. Hvis den grønne lampe ikke lyser, når maskinen er tilsluttet og afbryderen trykkes ind, er der fejl på maskinens kabel eller afbryder. Hvis den grønne lampe lyser, uden at maskinen kan startes, er maskinens kul slidt op (udskift kullene), eller der er fejl på motoren. Når både den grønne og den røde lampe lyser, mens maskinen kører, skal maskinen have service-eftersyn og kulskift. Når maskinen har været i brug i 8 timer med den røde lampe tændt afbrydes den automatisk.

## VEDLIGEHOLDELSE

### ADVARSEL:

Sørg altid for at maskinen er slukket og netstikket trukket ud, før der foretages noget arbejde på selve maskinen.

## Udskiftning af kul (Fig. 20 og 21)

Når kullene skal udskiftes, slår maskinen automatisk fra. Når dette sker, fjernes skrue, der holder dækpladerne og kuldækslerne. Fjern kuldækslerne og udskift kullene. Brug kun originale Makita kul og udskift altid disse parvis.

## Smøring

Denne maskine kræver hverken smøring en gang i timen eller en gang om dagen, idet den er forsynet med et indbygget smøringsssystem. Smør maskinen hver gang kulbørsterne skiftes ud.

Lad maskinen køre i flere minutter for at varme den op. Sluk maskinen og træk netstikket ud. Løsn de seks skruer og fjern håndtaget. Bemærk at topskrueerne adskiller sig fra andre skruer (Fig. 22)

Fjern konnektoren ved at trække den ud. (Fig. 23)

Fjern oliedækslet med en unbrakonogle. (Fig. 24)

Anbring maskinen med værktøjsholderen opad. Dette gør, at den gamle olie samler sig i krumtaphuset. Tør den gamle olie ud og påfyld frisk olie (30 gram). Anvend kun original Makita olie til mejselhamre (ekstratilbehør). Påfyldes der mere end den specificerede mængde (cirka 30 gram) olie kan det resultere i nedsat effekt eller maskinen kan nedslides. Efterfyld kun den specificerede mængde olie. Monter oliedækslet igen og spænd til med topnøglen. (Fig. 25)

Sæt konnektoren på igen og monter håndtaget. (Fig. 26)

### ADVARSEL:

- Pas på ikke at beskadige stik og ledninger, når gamle olie tørrer ud eller håndtaget monteres.
- Spænd ikke oliedækslet for hårdt. Det er lavet af kunstharpiks og kan skrues over.

For at opretholde produktets sikkerhed og pålidelighed, må istandsættelse, vedligeholdelse eller justering kun udføres af et autoriseret Makita service center.

## TILBEHØR

### FORSIGTIG:

Det i denne manual specificerede tilbehør og anordninger anbefales til brug sammen med Deres Makita maskine. Brug af andet tilbehør og andre anordninger kan udgøre en risiko for personskade. Anvend kun tilbehør og anordninger til de beskrevne formål.

Hvis De behøver assistance eller yderligere detaljer om dette tilbehør, bedes De kontakte Deres lokale Makita servicecenter.

- SDS-Plus HM bor
- Spidsmejsel
- Fladmejsel
- Mejselfedt (30 g)
- Bor- og mejselfedt (100 g)
- Dybdeanslag
- Udblæser
- Støvbeskyttelseskappe
- Beskyttelsesbriller
- Borepatron
- Nøgle til borepatron S13
- Transportkuffert, kunststof
- Sidegreb

Förklaring av allmän översikt

1	Verktygsolja	12	Lossa	22	Kolhällarkåpa
2	Verktygskäft	13	Dra åt	23	Kolhällarlock
3	Verktyg	14	Sidogrepp	24	Skruvvar
4	Chuckkåpa	15	Strömställare	25	Kontakt
5	Omkopplingsspak	16	Inställningsring	26	Svart
6	Driftväxlingsspak	17	Vingskruv	27	Vit
7	Symbol för "rotation med slag"	18	Djupanslag	28	Vevhuslock
8	Låsknapp	19	Strömindikatorlampa ("Power ON") (grön)	29	Sexkantsnyckel
9	Pil	20	Serviceindikatorlampa (röd)	30	Smörjolja för slagborr
10	Symbol för "endast slag"	21	Skruvmejsel	31	Borrchuck
11	Symbol för "endast rotation"				

TEKNISKA DATA

<b>Modell</b>	<b>HR3000C</b>
<b>Kapacitet</b>	
HM-borr .....	30 mm
Borrkrona .....	90 mm
Trå .....	30 mm
Stål .....	13 mm
Obelastat varvtal (varv/min) .....	360–720
Slag per minut .....	1 650–3 300
Total längd .....	391 mm
Nettovikt .....	4,8 kg

- På grund av det kontinuerliga programmet för forskning och utveckling, kan här angivna tekniska data ändras utan föregående meddelande.
- Observera: Tekniska data kan variera i olika länder.

Strömförsörjning

Maskinen får endast anslutas till nät med samma spänning som anges på typplåten och kan endast köras med enfas växelström. Den är dubbelisolerad i enlighet med europeisk standard och kan därför anslutas till vägguttag som saknar skyddsjord.

Säkerhetstips

För din egen säkerhets skull, bör du läsa igenom de medföljande säkerhetsföreskrifterna.

SÄRSKILDA SÄKERHETSREGLER

**GLÖM INTE att strikt följa säkerhetsanvisningarna för borrhammaren ÄVEN efter det att du blivit van att använda den. Felaktig eller ovarsam användning av maskinen kan leda till allvarliga personskador.**

1. **Använd hörselskydd.** Bullret kan ge hörselskador.
2. **Använd de extrahandtag som medföljer maskinen.** Okontrollerad användning kan orsaka personskador.
3. **Håll maskinerna i de isolerade greppytorna vid arbete där maskinen kan råka skada döda elkablar eller den egna sladden.** Kontakt med en strömförande kabel kommer att göra maskinens metalldelar strömförande vilket kan ge användaren en stöt.
4. **Bär hjälm, skyddsglasögon och/eller visir. Vanliga (sol)glasögon har INTE säkerhetsglas. Du bör även använda andningskydd och vadderade arbetshandskar.**
5. **Kontrollera att verktygsbiten är åtdragen innan maskinen används.**
6. **Maskinen är gjord för att ge vibrationer vid normal användning. Skruvarna kan lossna lätt vilket leder till att maskinen går sönder eller olyckor. Kontrollera att skruvarna är åtdragna innan du startar maskinen.**

7. **Om maskinen inte har använts under en längre tid eller om det är kallt bör den först värmas upp genom att köras obelastad en stund. Smörjmedlet blir då mer lättflytande. Hammarfunktionen fungerar dåligt utan ordentlig uppvärmning.**
8. **Stå alltid stadigt.**  
**Se till att ingen befinner sig nedanför när maskinen används högt upp.**
9. **Håll maskinen stadigt med båda händerna.**
10. **Håll händerna borta från rörliga delar.**
11. **Låt inte maskinen vara på om du lämnar den. Låt inte maskinen vara på när du lägger den ifrån dig.**
12. **Rikta aldrig en påslagen maskin mot någon. Verktygsbiten kan slungas ut och orsaka allvarliga personskador.**
13. **Vidrör inte verktygsbit eller intilliggande delar omedelbart efter användning eftersom de kan bli mycket heta och orsaka brännskador.**
14. **Vissa material innehåller kemikalier som kan vara giftiga. Se till att du inte andas in damm eller får det på huden. Följ anvisningarna i leverantörens materialsäkerhetsblad.**

SPARA DESSA ANVISNINGAR.

WARNING:

OVARSAM hantering eller användning som inte följer säkerhetsanvisningarna i denna bruksanvisning kan orsaka allvarliga personskador.

BRUKSANVISNING

Montering och demontering av verktyg

Viktigt:

Se alltid till att maskinen är avstängd och nätsladden urdragen innan verktyg monteras eller demonteras.

Rengör verktygskäftet, och applicera verktygsoljan som medföljer på skäftet innan verktyget monteras. (Fig. 1) För in verktyget i maskinen. Vrid verktyget och tryck in det tills det fastnar. (Fig. 2)


Tag bort verktyget om det inte går att trycka in. Fäll ner chuckkåpan ett par gånger. Montera sedan verktyget igen. Vrid verktyget och tryck in det tills det fastnar. (Fig. 3)

Kontrollera alltid att verktyget sitter fast ordentligt efter monteringen genom att försöka dra ut det. Demontera verktyget genom att fälla ner chuckkåpan hela vägen och dra ut verktyget. (Fig. 4)

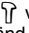
## Val av driftsfunktion

Ställ först in omkopplingsspaken och driftväxlingsspaken på det läge som visas i **fig. 5** när en driftfunktion ska väljas, och fortsätt sedan enligt nedan.

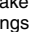
## Slagborrning (Fig. 6 och 7)

Tryck in låsknappen och vrid omställarspaken så att pilen pekar mot symbolen  vid borring i betong, murverk o.dyl. Använd HM-borr.

## Enbart slag (Fig. 6 och 8)

Tryck in låsknappen och vrid omställarspaken så att pilen pekar mot symbolen  vid huggmejsling, spånmejsling eller demolering. Använd tjörnare, huggmejsel, spånmejsel el. dyl.

## Endast rotation (Fig. 6 och 9)

Rotera driftväxlingsspaken så att symbolen  är inriktad mot pilen på omkopplingsspaken vid borring i trä, metall eller plastmaterial. Använd ett spiralborr eller träborr.

### FÖRSIKTIGHET:

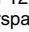
- Rotera inte omkopplingsspaken och/eller driftväxlingsspaken när maskinen går under belastning. Maskinen skadas.
- Se till att omkopplingsspaken och/eller driftväxlingsspaken alltid är helt ställda i ett av de tre driftfunktionslägena, för att undvika att maskinen slits ut i förtid.
- Driftfunktionsläget kan inte ändras direkt från "endast slag" till "endast rotation", eller från "endast rotation" till "endast slag". Ställ först omkopplingsspaken och driftväxlingsspaken i läget "rotation med slag" så som visas i **fig. 5**. Ställ dem sedan i läget för "endast slag" eller "endast rotation".

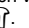
## Vinkelinställning

### (vid huggmejsling, spånmejsling och demolering)

#### Viktigt:

Se alltid till att maskinen är avstängd och nätsladden urdragen innan verktygets vinkel ändras.

Verktyget kan fästas i 12 olika vinklar. Tryck in låsknappen och vrid omställarspaken så att pilen pekar mot symbolen  för att ändra verktygvinkeln. Vrid verktyget till önskad vinkel. (**Fig. 10**)

Tryck in låsknappen och vrid omställarspaken så att pilen pekar mot symbolen .

Kontrollera sedan att verktyget är ordentligt fäst genom att vrida en aning på det. (**Fig. 11**)

## Sidogrepp (Fig. 12)

### FÖRSIKTIGHET:

- Använd alltid sidogreppet för säker drift vid borring i betong, murverk el. dyl.
- När borret börjar bryta igenom betong, eller om borret slår emot armeringsjärn ingjutet i betong kan maskinen kasta eller på annat sätt uppföra sig farligt. Upprätthåll god balans, stå säkert med fötterna och håll maskinen i ett stadigt grepp med båda händerna för att förhindra farliga rörelser eller kast.

Sidogreppet kan svängas runt till endera sidan för att underlätta handhavandet av maskinen i varje läge. Lossa sidogreppet genom att vrida det moturs, sväng det till önskat läge och dra sedan åt det genom att vrida det medurs.

## Strömställarens funktion (Fig. 13)

### FÖRSIKTIGHET:

Kontrollera att strömställaren fungerar normalt och återgår till avstängt läge ("OFF") när den släpps innan nätsladden sätts i.

Tryck helt enkelt på strömställaren för att starta maskinen. Släpp strömställaren för att stanna.

## Ändring av varvtalet (Fig. 14)

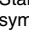
Varvtal och antal slag per minut kan enkelt justeras genom att vrida på inställningsringen. Ringen är markerad från 1 (lägsta hastighet) till 6 (full hastighet). Se tabellen nedan för information om förhållandet mellan siffrorna på inställningsringen och varvtal/slag per minut.

Siffror på inställningsringen	Varv per minut	Slag per minut
6	720	3 300
5	690	3 150
4	590	2 700
3	490	2 250
2	390	1 800
1	360	1 650

## Slagborrning (Fig. 15)

### FÖRSIKTIGHET:

När borret börjar bryta igenom betong, eller om borret slår emot armeringsjärn ingjutet i betong kan maskinen kasta eller på annat sätt uppföra sig farligt. Upprätthåll god balans, stå säkert med fötterna och håll maskinen i ett stadigt grepp med båda händerna för att förhindra farliga rörelser eller kast.

Ställ omkopplingsspaken och driftväxlingsspaken mot symbolen . Placera borret där hålet ska vara, och tryck sedan på strömställaren. Tvinga inte maskinen. Ett lätt tryck ger bästa resultat. Håll maskinen i läge, och undvik att låta den glida i väg från hålet.

Tryck inte mer på maskinen även om hålet sätts igen av borrspån och andra partiklar. Låt istället maskinen gå obelastad och för sedan ut borret från hålet. Genom att upprepa denna procedur ett flertal gånger rensas hålet från skräp.

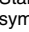
## Vridmomentsbegränsare

Vridmomentsbegränsaren aktiveras när ett visst vridmoment uppnåtts. Motorn frikopplas från drivaxeln. När detta inträffar slutar verktyget att rotera.

### FÖRSIKTIGHET:


Stäng genast av maskinen så snart vridmomentsbegränsaren aktiveras. Detta förhindrar att maskinen slits ut i förtid.

## Huggmejsling/Spånmejsling/Demolering (Fig. 16)

Ställ omkopplingsspaken och driftväxlingsspaken mot symbolen . Håll maskinen stadigt med båda händerna. Sätt på maskinen, och tryck lätt mot maskinen så att den inte hoppar omkring okontrollerat. Ett överdrivet hårt tryck mot maskinen ökar inte effektiviteten.

## Borrningsdrift (Fig. 17)

Vid borring i dessa material används borrchuck med chuckadapter. Montering sker på samma sätt som tidigare beskrivits under rubriken 'Montering av hammarborr'. Borrdiameter i metall max 13 mm och i trä upp till 30 mm (flatborr).

Ställ omkopplingsspaken och driftväxlingsspaken mot symbolen  .

- Borring i trä  
Vid borring i trä erhålles bäst resultat om träborr med ledskruv används. Ledskruven förenklar borringen genom att dra borret in i arbetsstycket.
- Borring i metall  
Gör en försänkning med hjälp av en körnare och en hammare där hålet ska vara för att förhindra att borret slinter när borringen påbörjas. Placera spetsen på borret i försänkningen och börja borra. Använd borrolja vid borring i metall. Undantaget är mässing som ska borras torrt.

### FÖRSIKTIGHET:

- Ett överdrivet tryck mot maskinen påskyndar inte borringen. I själva verket leder det överdrivna trycket endast till att borrets spets förstörs, maskinens funktion försämras och dess arbetsliv förkortas.
- Använd aldrig "rotation med slag" när borrchuckfästet är monterat på verktyget. Borrchuckfästet kan skadas.

## Djupanslag (Fig. 18)

Djupanslaget är praktiskt att använda vid borring av hål med samma djup. Lossa vingskruven och justera anslaget till önskat djup. Drag åt vingskruven ordentligt efter inställningen.

### OBSERVERA:

Djupanslaget kan inte användas i det läge där det slår emot växelhuset/maskinhuset.

## Indikatorlampa (Fig. 19)

Den gröna strömindikatorlampan ("Power ON") tänds när maskinen sätts på. Om indikatorlampan är tänd men maskinen inte startar kan antingen kolborstarna vara nedslitna, eller något fel har uppstått på den elektriska kretsen eller på motorn. Om indikatorlampan inte tänds och maskinen inte startar kan PÅ/AV-knappen eller nät-kabeln vara defekta.

Den röda serviceindikatorlampan tänds för att indikera att maskinen behöver service när kolborstarna är nästan nedslitna. Motorn stängs automatiskt av efter ungefär 8 timmars användning.

## UNDERHÅLL

### FÖRSIKTIGHET:

Förvissa dig alltid om att nätkabeln dragits ut ur vägguttaget och att maskinen är frånkopplad innan något arbete utförs på maskinen.

## Byte av kolborstar (Fig. 20 och 21)

När kolborstarna måste bytas slår de automatiskt av maskinen. Tag då skruvarna som håller fast kolhållarkåpan. Tag bort kolhållarkåpan och kolhållarlocken. Byt sedan båda kolborstarna på en gång. Använd endast identiskt lika kolborstar.

## Smörjning

Denna maskin behöver inte smörjas varje dag eller varje timme eftersom den har ett fettnipackat smörjsystem. Smörj maskinen varje gång kolborstarna byts ut.

Värm upp maskinen genom att låta den gå i några minuter. Släpp strömställaren och dra ur nåtssladden.

Lossa de sex skruvarna och tag bort handtaget. Observera att skruvarna på toppen är annorlunda än de övriga.

### (Fig. 22)

Koppla ur kontakten genom att dra i den. (Fig. 23)

Tag bort vevhuslocket med en sexkantsnyckel. (Fig. 24)

Låt maskinen ligga stilla på bordet med verktygsåndan pekande uppåt. På detta sätt samlas den gamla smörjolan inuti vevhuset. Torka ur all gammal smörjolja och fyll på ny (30 g). Använd endast Makita originalsmörjolja för slagborr. Om mer än den föreskrivna mängden (cirka 30 g.) fylls på kan det ge upphov till felaktig slagfunktion och maskinskador. Fyll endast på angiven mängd smörjolja. Montera vevhuslocket och drag åt med sexkantsnyckeln. (Fig. 25)

Anslut kontakten och sätt tillbaka handtaget. (Fig. 26)

### FÖRSIKTIGHET:

- Var försiktig så att kontakterna och ledningarna inte skadas, speciellt när smörjolan torkas ur och vid montering av handtaget.
- Drag inte åt vevhuslocket för hårt. Det är tillverkat av harts och kan skadas.

För att bibehålla produktens säkerhet och tillförlitlighet, bör alltid reparationer, underhållservice och justeringar utföras av auktoriserad Makita serviceverkstad.

## TILLBEHÖR

### FÖRSIKTIGHET:

Dessa tillbehör och tillsatser rekommenderas för att användas tillsammans med den Makita-maskin som anges i denna bruksanvisning. Om några andra tillbehör eller tillsatser används kan det uppstå risk för personskador. Använd endast tillbehören och tillsatserna för de syften de är avsedda för.

Kontakta ditt lokala Makita servicecenter om du behöver hjälp med ytterligare detaljer om dessa tillbehör.

- SDS+ hårdad borr
- Körnare
- Huggmejsel
- Hammarfett (30 g)
- Verktygsolja (100 g)
- Djupanslag
- Blås
- Dammkåpa
- Skyddsglasögon
- Borrchuck
- Chucknyckel S13
- Bärväska av plast
- Sidohandtag

Forklaring til generell oversikt

1 Borkronefett	12 Løse opp	21 Skrutrekker
2 Borkroneskaft	13 Skru til	22 Børsteholderdeksel
3 Borkrone	14 Støttehåndtak (hjelpéhåndtak)	23 Børsteholderhette
4 Borpatrondeksel	15 Startbryter	24 Skruer
5 Skiftehendel	16 Reguleringskala	25 Koplingsstykke
6 Vekslingshendel	17 Klemskrue	26 Svart
7 "Rotasjon med slag"-symbol	18 Dybdemåler	27 Hvit
8 Låseknapp	19 Grønn indikatorlamper for strøm PÅ	28 Veivhuslokk
9 Viser	20 Indikatorlampe for ettersyn (service)	29 Sekskantet skrunøkkel
10 "Kun slag"-symbol		30 Hammerfett
11 "Kun rotasjon"-symbol		31 Borechuck

TEKNISKE DATA

<b>Modell</b>	<b>HR3000C</b>
Kapasitet	
Borkrone med spiss av wolframkarbid (hammerbor) .....	30 mm
Kronebor .....	90 mm
Tre .....	30 mm
Stål .....	13 mm
Antall omdreininger per minutt .....	360 – 720
Slag per minutt .....	1 650 – 3 300
Total lengde .....	391 mm
Nettvekt .....	4,8 kg

- Grunnet det kontinuerlige forsknings- og utviklingsprogrammet, forbeholder vi oss retten til å foreta endringer i tekniske data uten forvarsel.
- Merk: Tekniske data kan variere fra land til land.

Strømforsyning

Maskinen må kun koples til den spenning som er angitt på typeskiltet og arbeider kun med enfas-vekselstrøm. Den er dobbelt verneisoleret i henhold til de Europeiske Direktiver og kan derfor også koples til stikkontakter uten jording.

Sikkerhetstips

For din egen sikkerhets skyld ber vi deg lese de medfølgende sikkerhetsreglene.

SPEISIFIKKE SIKKERHETSREGLER

**IKKE LA hensynet til hva som er "behagelig" eller det faktisk at du kjenner produktet godt (etter mange gangers bruk) gjøre deg mindre oppmerksom på sikkerhetsreglene for bruken av borhammeren. Hvis du bruker dette verktøyet på en farlig eller ukorrekt måte, kan du få alvorlige helseskader.**

1. **Bruk hørselvern.** Høy lyd kan forårsake redusert hørsel.
2. **Bruk hjelpéhåndtak som fulgte med verktøyet.** Hvis maskinen kommer ut av kontroll, kan det resultere i helseskader.
3. **Hold elektroverktøy i de isolerte håndtakene når du utfører en operasjon der skjærende verktøy kan komme i kontakt med skjulte ledninger eller ledningen til maskinen selv.** Kontakt med en strømførende ledning vil også gjøre uisolerte deler av maskinen strømførende og gi operatøren elektrisk støt.

4. **Bruk hjelm, vernebriller og/eller ansiktsmaske.** Vanlige briller eller solbriller er IKKE vernebriller. Det anbefales også på det sterkeste å bruke støvmaske og kraftig polstrede hansker.
5. **Vær sikker på at meiselen er skikkelig festet før du starter maskinen.**
6. **Verktøyet er laget slik at det vil vibrere under vanlig bruk.** Skrueene kan lett løsne, noe som kan forårsake et maskinsammenbrudd eller en ulykke. For bruk må du derfor kontrollere grundig at skrueene ikke er løse.
7. **I kaldt vær, eller når verktøyet ikke har vært i bruk på lenge, må du varme opp verktøyet ved å la det gå en stund uten belastning.** Dette vil myke opp smøremiddelet. Hvis maskinen ikke er skikkelig oppvarmet, vil det være vanskelig å bruke hammeren.
8. **Forviss deg alltid om at du har godt fotfeste.** Forviss deg om at ingen står under deg når du jobber høyt over bakken.
9. **Hold verktøyet fast med begge hender.**
10. **Hold hendene unna bevegelige deler.**
11. **Ikke gå fra verktøyet mens det er i gang.** Verktøyet må bare brukes mens operatøren holder det i hendene.
12. **Ikke pek med verktøyet mot personer i nærheten mens det er i bruk.** Bitset kan fly ut og skade noen alvorlig.
13. **Ikke berør meiselen eller deler i nærheten av meiselen umiddelbart etter at maskinen har vært i bruk, da disse kan være ekstremt varme og kan gi brannskader.**
14. **Enkelte materialer inneholder kjemikalier som kan være giftige.** Treff tiltak for å hindre innånding av støv og hudkontakt. Følg leverandørens sikkerhetsanvisninger.

TA VARE PÅ DISSE INSTRUKSENE.

ADVARSEL:

**MISBRUK** av verktøyet eller mislighold av sikkerhetsreglene i denne brukerhåndboken kan resultere i alvorlige helseskader.

## BRUKSANVISNINGER

### Montering eller demontering av borkronen

Viktig:

Sørg alltid for at maskinen er avslått og kontakten tatt ut av stikkkontakten før montering eller demontering av borkronen.

Rengjør borkroneskaftet og påfør borkronefett før borkronen monteres. (Fig. 1)

Sett borkronen inn i maskinen. Vri borkronen og trykk den inn helt til den er fastkople. (Fig. 2)

Fjern borkronen dersom den ikke kan trykkes inn. Dra borpatrondekslet ned et par ganger. Sett deretter borkronen inn på nytt. Vri borkronen og trykk den inn helt til den er fastkople. (Fig. 3)


Etter montering, sørg alltid for å kontrollere at borkronen holdes forsvarlig på plass ved å forsøke å dra den ut.

For å demontere borkronen, dra borpatrondekslet helt ned og dra borkronen ut. (Fig. 4)

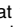
### Velge bruksmåte

Når driftsmodus skal velges må skiftehendelen og vekslingshendelen først stilles inn som vist i Fig. 5. Fortsett deretter som følger.


### Rotasjon med slag (hamring) (Fig. 6 og 7)

For boring i betong, mur etc., trykk ned låseknappen og drei skiftehendelen slik at viseren peker mot  symbolet. Anvend en borkrone med wolframkarbidspiss.

### Bare slag (hamring) (Fig. 6 og 8)

For meislings- avskalling- eller nedrivingsarbeide, trykk ned låseknappen og drei skiftehendelen slik at viseren peker mot  symbolet. Anvend en spissmeisel, kaldmeisel, avskallingsmeisel etc.

### Kun rotasjon (Fig. 6 og 9)

Ved boring i tre, metall eller plastmaterialer, roteres vekslingshendelen slik at  -symbolet er samstemt med viseren på skiftehendelen. Bruk spiralbor eller trebor.

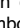
NB!


- Roter ikke skiftehendelen og/eller vekslingshendelen når maskinen arbeider. Maskinen vil ødelegges.
- For å forhindre hurtig slitasje av mekanismen for modusendring, sørg for at skiftehendelen og/eller vekslingshendelen alltid er innstilt på en av de to driftsmodusene.
- Driftsmodusen kan ikke endres direkte fra "kun slag" til "kun rotasjon" eller fra "kun rotasjon" til "kun slag". Først stilles skiftehendelen og vekslingshendelen til "rotasjon med slag" som vist i Fig. 5, og deretter til "kun slag" eller "kun rotasjon".

### Vinkel på borkronen (ved meislings-, avskallings- eller nedrivingsarbeide)

Viktig:

Sørg for at maskinen alltid er avslått og at kontakten er dratt ut av stikkkontakten før vinkelen på meiselen endres.

Borkronen kan låses i 12 forskjellige vinkler. For å endre vinkelen på borkronen, trykk ned låseknappen og drei skiftehendelen slik at viseren peker mot  symbolet. Vri meiselen til ønsket vinkel. (Fig. 10)

Trykk ned låseknappen og drei skiftehendelen slik at viseren peker mot  symbolet.

Sørg deretter for å kontrollere at borkronen holdes forsvarlig på plass ved å forsøke å vri den forsiktig rundt. (Fig. 11)

### Støttestøttak (hjelpetakt) (Fig. 12)

NB!

- Bruk alltid støttestøttaket for å sørge for sikker betjening ved boring i betong, mur etc.
- Når borkronen begynner å trenge igjennom betong eller dersom borkronen støter mot armeringsjern, kan maskinen reagere på en måte som medfører stor fare. For å unngå farlige situasjoner, sørg godt fotfeste og hold balansen når maskinen holdes fast med begge hender.

Støttestøttaket kan svinges rundt til den ene eller den andre siden, for lettvinnt betjening av maskinen uansett hvilken posisjon maskinen befinner seg i. Løs opp støttestøttaket ved å vri det mot urviseren og sving det til ønsket posisjon. Skru håndtaket til ved å vri det med urviseren.

### Bryterposisjoner (Fig. 13)

NB!

Før maskinens kontakt settes i stikkkontakten, kontroller alltid at startbryteren utløses ordentlig og går tilbake i "AV" posisjon når den frigjøres.

Vri simpelthen på bryteren for å starte maskinen. Frigjør bryteren for å stanse maskinen.

### Hastighetsendring (Fig. 14)


Antall omdreinger (turtall) og slag per minutt kan justeres ved å vri på reguleringsskalaen. Skalaen går fra 1 (laveste hastighet) til 6 (høyeste hastighet). Det henvises til tabellen nedenfor for forholdet mellom tallene på reguleringsskalaen og antall omdreinger og slag per minutt.

Tall på reguleringsskalaen	Omdreinger per minutt	Slag per minutt
6	720	3 300
5	690	3 150
4	590	2 700
3	490	2 250
2	390	1 800
1	360	1 650

### Slagboring (Hammerboring) (Fig. 15)

NB!

Når borkronen begynner å trenge igjennom betong eller dersom borkronen støter mot armeringsjern, kan maskinen reagere på en måte som medfører stor fare. For å unngå farlige situasjoner, sørg godt fotfeste og hold balansen når maskinen holdes fast med begge hender.

Still skiftehendelen og vekslingshendelen på  -symbolet. Plasser borkronen i hullet og trykk på startbryteren. Bruk ikke makt på maskinen. Et lett trykk gir best resultat. Hold maskinen i riktig posisjon og sørg for at den ikke glipper fra hullet.

Trykk ikke hardere når hullet tettes til med flak og partikler. Kjør istedenfor maskinen på tomgang og løft den deretter opp fra hullet. Ved på gjenta dette flere ganger vil hullet renkes opp.




## Momentbegrenser

Momentbegrenseren settes igang når et visst dreiemomentnivå nås. Motoren frigjøres fra utgangsakselen. Når dette skjer vil borkronen holde opp å dreie.

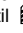
NB!

Slå av maskinen umiddelbart så snart momentbegrenseren settes igang. Dette vil bidra til å forhindre at maskinen slites ut før tiden.

## Meisling/Avskalling/Neddriving (Fig. 16)

Still skiftehendelen og vekslingshendelen på  -symbolet. Hold maskinen fast med begge hender. Slå maskinen på og øv lett trykk på den slik at den ikke spretter ukontrollert rundt. Å trykke hardt på maskinen vil ikke øke effektiviteten.

## Boring (Fig. 17)

Bruk chuck ved boring i tre eller metall. Ved montering henvises til "Montering og fjerning av bor" på foregående side. Man kan bore opptil 13 mm i metall og 30 mm i tre. Sett skiftehendelen og vekslingshendelen til  -symbolet.

### • Boring i tre

Ved boring i tre, vil beste resultat oppnås med trebor og selvborende skrue. Den selvborende skrue gjør boringen lettere ved at bitset dras inn i arbeidsemnet.

### • Boring i metall

For å hindre at bitset glipper i starten av hullboringen, lages en liten fordypning med kjøerner og hammer der hullet skal være. Sett bitsspissen i fordypningen og start boringen.

Bruk maskinolje ved boring i metall. Unntaket er mesing som må tørrbores.

NB!

- For stort trykk på maskinen vil ikke gjøre boringen raske. Dette vil bare medføre skadet bits, redusert borekapasitet og forkorte boremaskinens brukstid.
- "Rotasjon med hammerslag" må aldri brukes når borechuck-montasjen er montert på verktøyet. Borechuck-montasjen kan ødelegges.

## Dybdemåler (Fig. 18)

Dybdemåleren er fordelaktig ved boring av hull med samme dybde. Løs opp klemskrue og juster dybdemåleren til ønsket dybde. Skru klemskrue fast etter justeringen.

MERKNAD:

Dybdemåleren kan ikke benyttes i en posisjon der den støter mot girhuset/motorkassen.

## Indikator lampe (Fig. 19)

Den grønne indikatorlampen for strøm-PÅ tennes når maskinen slås på. Dersom indikatorlampen lyser men maskinen ikke starter, kan dette skyldes at kullbørstene er utslitt, at strømkretsen eller motoren er defekt. Dersom indikatorlampen ikke tennes og maskinen ikke starter kan dette tyde på at AV/PÅ bryteren eller hovedledningen er defekt.

Den røde indikatorlampen tennes når kullbørstene er nesten utslitt for å indikere at maskinen trenger ettersyn (service). Etter ca 8 timers bruk slås motoren automatisk av.

## SERVICE

NB!

For servicearbeider utføres på maskinen må det passes på at denne er slått av og at støpselet er trukket ut av stikkkontakten.

## Utskifting av kullbørstene (Fig. 20 og 21)

Når det er nødvendig å skifte ut kullbørstene, koples maskinen automatisk ut. Når dette er tilfelle, fjern opp skruene som holder børsteholderdekslet fast og børsteholderhette. Fjern børsteholderdekslet og skift deretter ut begge kullbørstene samtidig. Benytt alltid identiske kullbørster.

## Smøring

Det er ikke påkrevet med smøring hver time eller daglig ettersom denne maskinen har et lukket smøresystem. Smør maskinen hver gang kullbørstene skiftes ut.

La maskinen gå i flere minutter for å varme den opp. Slå av og dra kontakten ut støpselet.

Løs opp de seks skruene og fjern håndtaket. Legg merke til at toppskruene er annerledes enn de andre skruene. (Fig. 22)

Koplingsstykket frakoples ved å trekke det ut. (Fig. 23)

Fjern veivhuslokket med en sekskantet skrunøkkel. (Fig. 24)

La maskinen hvile på bordet med enden på borkronen pekende oppover. Dette bidrar til at det gamle fettene kan samles i veivhuset. Fjern det gamle fettene og erstatt det med nytt fett (30 g). Bruk kun Makita originalfett (valgfritt tilleggsstyr). A fyll på mer fett (ca 30 g) enn spesifisert mengde kan forårsake mangelfull slagfunksjon eller maskinefeil. Fyll derfor på bare den spesifiserte mengde med fett. Monter veivhuslokket på igjen og skru til lokket med en sekskantet skrunøkkel. (Fig. 25)

Kople koplingsstykket og håndtaket på igjen. (Fig. 26)

NB!

• Vær forsiktig for ikke å skade koplingspunktene eller blykablene særlig når gammelt fett fjernes eller håndtaket monteres.

• Skru ikke veivhuslokket for hardt til da det er laget av harpiks/kunststoff og kan ødelegges.

For å garantere at maskinen arbeider sikkert og pålitelig bør reparasjoner, servicearbeider eller innstillinger utføres av et autorisert Makita-serviceverksted.

## TILLEGGSUTSTYR

ADVARSEL:

Tilleggsutstyr eller tilbehør som anbefales for din Makita-maskin er spesifisert i denne bruksanvisningen. Bruk av annet tilleggsutstyr eller tilbehør enn dette kan øke risikoen for personskader. Tilleggsutstyr eller annet tilbehør må bare brukes for de formål det er beregnet for.

Hvis du har behov for flere detaljer som gjelder dette ekstrastyret, spør ditt lokale Makita servicecenter om hjelp.

- SDS Pluss bits med wolframkarbidspiss
- Kjøerner
- Kaldmeisel
- Hammerfett (30 g)
- Bitsfett (100 g)
- Dybdemåler
- Blåsebelg
- Støvkopp
- Vernebriller
- Borechuck
- Chucknøkkel S13
- Bæreveske i plast
- Støttehåndtak

## Yleisselostus

1	Terärasva	11	“Pelkkä pyöriminen” -merkki	22	Harjanpitimen suojus
2	Terän kara	12	Löystyy	23	Harjanpitimen kansi
3	Terä	13	Kirstyy	24	Ruuvit
4	Istukan suojus	14	Sivukädensija	25	Liitin
5	Toiminnon valitsin	15	Liipaisinkytkin	26	Musta
6	Vaihdevipu	16	Säätökehä	27	Valkoinen
7	“Pyöriminen ja vasarointi” -merkki	17	Kirstysruuvi	28	Täyttöaukon kansi
8	Lukituspainike	18	Syvyystulkki	29	Kuusioavain
9	Osoitin	19	Virran merkkivalo (vihreä)	30	Vasararasva
10	“Pelkkä vasarointi” -merkki	20	Huollon merkkivalo (punainen)	31	Poran istukka
		21	Ruuvitalta		

## TEKNISEET TIEDOT

<b>Malli</b>	<b>HR3000C</b>
Suurituskyky	
Volfraamkarbidi-kärkinen terä .....	30 mm
Keernakaira .....	90 mm
Puu .....	30 mm
Teräs .....	13 mm
Tyhjäkäyntinopeus (min <sup>-1</sup> ) .....	360–720
Iskua minuutissa .....	1 650–3 300
Kokonaispituus .....	391 mm
Nettopaino .....	4,8 kg

• Jatkuvan tutkimus- ja kehitysohjelman vuoksi pidämme oikeuden muuttaa tässä mainittuja teknisiä ominaisuuksia ilman ennakkoilmoitusta.

• Huomaa: Tekniset ominaisuudet saattavat vaihdella eri maissa.

## Virransyöttö

Laitteen saa kytkä ainoastaan virtalähteeseen, jonka jännite on sama kuin tyyppikilvessä ilmoitettu. Laitetta voidaan käyttää ainoastaan yksivaiheisella vaihtovirralla. Laitte on kaksinkertaisesti suojaeristetty eurooppalaisten standardien mukaisesti, ja se voidaan tästä syystä liittää maadoittamattomaan pistorasiaan.

## Turvaohjeita

Oman turvallisuutesi vuoksi lue mukana seuraavat turvaohjeet.

## ERITYISIÄ TURVALLISUUSOHJEITA

**ÄLÄ anna mukavuuden tai (toistuvan käytön tuoman) tottumuksen tuotteeseen korvata pyörövasaran turvallisuusohjeiden ehdotonta noudattamista. Jos käytät tätä konetta turvattomasti tai väärin, seurauksena voi olla vakava loukkaantuminen**

1. Käytä kuulosuojaimia. Melulle altistuminen voi aiheuttaa kuulovamman.
2. Käytä koneen mukana toimitettuja lisäkahvoja. Hallinnan menettäminen voi aiheuttaa loukkaantumisen.
3. Tartu sähkötyökaluihin eristetyistä tartuntapinoista tehdesäsi töitä, joissa leikkaava kone voi osua piilossa olevaan johtoon tai omaan virtajohtoonsa. Jännitteeseen johtoon osuminen johtaa jännitteen näkyvillä oleviin metalliosiin, jolloin käyttäjä saa sähköiskun.

4. Käytä suojakypärää, suojalaseja ja/tai kasvosuojasta. Tavalliset aurinko- tai silmälasit EIVÄT ole suojalasit. On myös erittäin suositeltavaa käyttää hengityssuojaa ja paksusti vuorattuja käsineitä.
5. Varmista ennen työskentelyn aloittamista, että terä on kunnolla paikallaan.
6. Kone on suunniteltu siten, että se värähtelee normaalikäytössä. Ruuvit voivat helposti löystyä, mikä voi aiheuttaa rikkoutumisen tai onnettomuuden. Tarkista ruuvien kireys huolella ennen työskentelyä.
7. Kun konetta käytetään kylmissä oloissa sen oltua pitkään käyttämättömänä, anna koneen lämmetä jonkin aikaa ilman kuormitusta. Tämä saa voiteluaineen juokseväksi. Vasarointi on hankalaa, ellei koneen anneta kunnolla lämmetä.
8. Varmistu aina jalansijasi tukevuudesta. Varmista, ettei allasi ole ketään, kun käytät konetta korkeissa paikoissa.
9. Tartu koneeseen tukevasti molemmin käsin.
10. Pidä kädet loitolla liikkuvista osista.
11. Älä jätä konetta käyntiin. Käytä konetta vain ollessa käsissäsi.
12. Älä osoita koneella ketään työskentelyalueella olevaa. Terä voi irrota ja vahingoittaa jotakuta vakavasti.
13. Älä kosketa terää äläkä terän lähellä olevia osia välittömästi työskentelyn jälkeen. Ne voivat olla erittäin kuumat ja ne voivat polttaa ihoa.
14. Jotkin materiaalit sisältävät myrkyllisiä kemikaaleja. Varo hengittämästä pölyä ja vältä ihokontaktia. Noudata materiaalin toimittajan turvaohjeita.

## SÄILYTÄ NÄMÄ OHJEET.

## VAROITUS:

**VÄÄRINKÄYTTÖ** tai tässä ohjekirjassa mainittujen turvaohjeiden noudattamatta jättäminen voi aiheuttaa vakavan loukkaantumisen.

## KÄYTTÖOHJEET

### Terän kiinnittäminen ja irrottaminen

Tärkeää:

Varmista aina ennen terän kiinnittämistä ja irrottamista, että kone on sammutettu ja virtajohto irrotettu pistorasiasta.

Puhdista terän kara ja sivele siihen varusteisiin kuuluvaa terärasvaa, ennen kuin kiinnität terän. **(Kuva 1)** Työnnä terä koneeseen. Käännä terää ja paina sitä, kunnes se osuu kohdalleen. **(Kuva 2)**

Jos terää ei voida painaa sisään, irrota terä. Vedä istukan suojus alas muutamia kertoja. Kiinnitä terä sitten uudelleen. Käännä terää ja paina sitä sisään, kunnes se osuu kohdalleen. **(Kuva 3)**

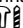
Kun olet kiinnittänyt terän, varmista aina vetämällä, että terä pysyy tiukasti paikallaan.

Terä irrotetaan vetämällä istukan suojus kokonaan alas ja vetämällä terä ulos. **(Kuva 4)**


### Toimintamuodon valinta

Kun valitset toimintomuotoa, siirrä ensin toiminnon valitsin ja vaihdevipu **kuvan 5** osoittamaan asentoon. Toimi sitten seuraavasti.

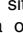
### Pyöriminen ja vasarointi (Kuva 6 ja 7)

Kun poraat betoniin, kiveen tms, paina lukituspainiketta ja käännä toiminnon valitsinta siten, että osoitin osoittaa kohti  merkkiä. Käytä volframikarbidikärkistä terää.

### Pelkkä vasarointi (Kuva 6 ja 8)

Kun piikkaat, talttaat tai purat, paina lukituspainiketta ja käännä toiminnon valitsinta siten, että osoitin osoittaa kohti  merkkiä. Käytä lattatalttaa, kylmätalttaa, hakkaustalttaa tms.

### Pelkkä pyöriminen (kuvat 6 ja 9)

Kun poraat puuhun, metalliin tai muoviin, käännä vaihdevipua siten, että  -merkki tulee toiminnon valitsimessa olevan osoittimen kohdalle. Käytä kierteis- tai puuporanterää.

VARO:


- Älä käännä toiminnon valitsinta ja/tai vaihdevipua koneen käydessä tyhjäkäynnillä. Kone vahingoittuu tästä.
- Vältäaksesi toimintomuodon vaihtomekanismin ennenaikaisen kulumisen varmista, että toiminnon valitsin on aina jossakin kolmesta toimintoasennosta.
- Toimintomuotoa ei voida vaihtaa suoraan muodolta "pelkkä vasarointi" muodolle "pelkkä pyöriminen" eikä muodolta "pelkkä pyöriminen" muodolle "pelkkä vasarointi". Siirrä ensin toiminnon valitsin ja vaihdevipu **kuvan 5** osoittamaan toimintoasentoon "pyöriminen ja vasarointi". Siirrä ne sitten asentoon "pelkkä vasarointi" tai "pelkkä pyöriminen".


### Terän kulma

#### (piikattaessa, taltattaessa tai purettaessa)

Tärkeää:

Varmista aina ennen terän kulman säätöä, että kone on sammutettu ja virtajohto irrotettu pistorasiasta.

Terä voidaan kiinnittää 12 eri kulmaan. Terän kulma muutetaan painamalla lukituspainiketta ja kääntämällä toiminnon valitsinta siten, että osoitin osoittaa kohti  merkkiä. Käännä terä haluamaasi kulmaan. **(Kuva 10)**

Paina lukituspainiketta ja käännä toiminnon valitsinta siten, että osoitin osoittaa kohti  merkkiä.

Varmista sitten terää varovasti kääntämällä, että se on tiukasti paikallaan. **(Kuva 11)**

### Sivukädensija (Kuva 12)

VARO:

- Työskentelyturvallisuuden vuoksi käytä aina sivukädensijaa, kun poraat betoniin, kiveen tms.
- Kun terä alkaa tunkeutua betonin toiselta puolelta läpi tai jos terä osuu betonin sisällä oleviin terästankoihin, kone saattaa reagoida vaarallisella tavalla. Pidä hyvä tasapaino ja turvallinen jalansija pitäen konetta tiukasti molemmilla käsillä estääksesi vaarallisen reaktion.

Sivukädensija kiertyy molemmille sivuille, mikä mahdollistaa koneen helpon käsittelyn missä asennossa tahansa. Löysennä sivukädensija kääntämällä sitä vastapäivään, kierrä se haluamaasi asentoon ja kiristä sitten kääntämällä myötäpäivään.

### Kytkimen käyttäminen (Kuva 13)

VARO:

Tarkista aina ennen virtajohtoon liittämistä pistorasiaan, että liipaisinkytkin toimii moitteettomasti ja palautuu vapautettaessa "OFF" asentoon.

Kone käynnistetään yksinkertaisesti painamalla liipaisinta. Kone pysähtyy vapautettaessa liipaisin.


### Nopeuden muuttaminen (Kuva 14)

Kierrosten ja iskujen määrä minuutissa voidaan säätää kääntämällä säätökehää. Kehässä on merkinnät 1:stä (hitain käynti) 6:een (täysi käyntinopeus). Katso alla olevasta taulukosta säätökehän numeroasetusten ja kierrosten/iskujen määrän välinen suhde.

Säätökehän numero	Kierrosta minuutissa	Iskua minuutissa
6	720	3 300
5	690	3 150
4	590	2 700
3	490	2 250
2	390	1 800
1	360	1 650

### Vasaraporaaminen (Kuva 15)

VARO:

Kun terä alkaa tunkeutua betonin toiselta puolelta läpi tai jos terä osuu betonin sisällä oleviin terästankoihin, kone saattaa reagoida vaarallisella tavalla. Pidä hyvä tasapaino ja turvallinen jalansija pitäen konetta tiukasti molemmilla käsillä estääksesi vaarallisen reaktion. Siirrä toiminnon valitsin ja vaihdevipu  -merkin kohdalle. Aseta terä porattavan reiän kohdalle ja paina sitten liipaisinta. Älä pakota konetta. Kevyt painaminen tuottaa parhaan tuloksen. Pidä konetta paikallaan ja estä sitä liukumasta pois reistä.

Älä paina voimakkaammin, jos reikä tukkeutuu lastuista tai hiukkasista. Anna koneen sen sijaan käydä tyhjäkäynnillä ja irrota se sitten reistä. Reikä puhdistuu, kun toistat tämän muutama kerran.


### Ylikuormituskytkin

Ylikuormituskytkin käynnistyy, kun tietty vääntömomentti saavutetaan. Moottori irtautuu ottoakselista. Kun näin käy, terä lakkaa pyörimästä.

VARO:


Heti kun ylikuormituskytkin käynnistyy, sammuta laite välittömästi. Tämä estää konetta kulumasta ennen aikaisesti.

### Piikkaaminen/taluttaminen/purkaminen (Kuva 16)

Siirrä toiminnon valitsin ja vaihdevipu  -merkin kohdalle. Pitele konetta tiukasti molemmin käsin. Käynnistä kone ja paina konetta kevyesti siten, että se ei ponnahta hallitsemattomasti takaisin. Koneen voimakas painaminen ei tehosta työskentelyä.

### Poraaminen (Kuva 17)

Käytä erillisiä poran istukkasarjoja. Katso asennusohjeet edellisen sivun kohdasta "Poranterän kiinnittäminen ja irrottaminen". Voit porata korkeintaan 13 mm paksuista metallia ja 30 mm paksuista puuta.

Siirrä toiminnon valitsin ja vaihdevipu  -merkin kohdalle.

#### • Poraaminen puuhun

Kun poraat puuhun, saat parhaan tuloksen käyttämällä ohjausruuville varustettuja puuporia. Ohjausruuvi vetää terän työkappaleeseen, mikä helpottaa poraamista.

#### • Poraaminen metalliin

Iske porattavaan kohtaan syvennys pistepuikolla ja vasaralla estääkseen terää liukumasta, kun reiän poraaminen alkaa. Aseta terän kärki syvennykseen ja aloita poraaminen.

Käytä lastuamisnestettä, kun poraat metalliin. Poikkeuksen muodostavat messinki. Siihen porataan kuivana.

VARO:

- Koneen liiallinen painaminen ei nopeuta poraamista. Itse asiassa tämä vain vahingoittaa terän kärkeä, heikentää koneen toimintaa ja lyhentää koneen käyttöikää.
- Älä koskaan käytä "vasarointia yhdistettynä pyörimisliikkeeseen", kun koneeseen on asennettu poraistukkasarjoja. Poraistukkasarja saattaa vahingoittua.

### Syvyystulkki (Kuva 18)

Syvyystulkki on kätevä porattaessa useita samansyvyisiä reikiä. Löysennä kiristysruuvi ja säädä syvyystulkki haluamaasi syvyyteen. Kun olet tehnyt säädön, kiristä kiristysruuvi tiukalle.

HUOMAA:

Syvyystulkkia ei voida käyttää asennossa, jossa se osuu vaihdekoteloon/ moottorikoteloon.

### Merkkivalo (Kuva 19)

Vihreä virran merkkivalo syttyy, kun virtakytkin on käännetty päälle asentoon ON. Jos merkkivalo palaa, mutta kone ei käynnisty, harjahiilet ovat ehkä kuluneet loppuun tai moottorissa tai sähköpiirissä on vikaa. Jos merkkivalo ei syty eikä kone käynnisty, ON/OFF -virtakytkin tai virtajohto saattaa olla viallinen.

Punainen huollon merkkivalo syttyy koneen huollontarpeen merkiksi, kun harjahiilet ovat lähes loppuunkuluneet. Moottori sammuu automaattisesti noin 8 tunnin käytön jälkeen.

### HUOLTO

VARO:

Ennen koneelle tehtäviä huoltotoimia on varmistettava, että se on sammutettu ja irrotettu virtalähteestä.

### Harjahielten vaihtaminen (Kuva 20 ja 21)

Kun harjahielten vaihtamisen aika on koittanut, ne sammuttavat koneen automaattisesti. Kun näin käy, irrota harjanpitimen kantta paikallaan pitävät ruuvit. Irrota harjanpitimen kansi ja harjanpitimen kansi. Vaihda sitten molemmat harjahiilet samalla kertaa. Käytä ainoastaan keskenään samanlaisia harjahiihiä.

### Voitelu

Tämä kone ei vaadi tunti- tai päivämääräistä voitelua, koska siinä on rasvapakattu voitelujärjestelmä. Voitele kone aina harjahielten vaihtamisen jälkeen.

Lämmitä kone antamalla sen käydä muutaman minuutin ajan. Sammuta kone ja irrota virtajohto pistorasiasta.

Löysennä kuusi ruuvia ja irrota kahva. Huomaa, että päällimmäiset ruuvit poikkeavat muista ruuveista.

#### (Kuva 22)

Irrota liitin vetämällä. (Kuva 23)

Irrota täyttöaukon kansi kuusioavaimella. (Kuva 24)

Aseta kone pöydälle siten, että terä osoittaa ylöspäin.

Näin vanha rasva pääsee kerääntymään täyttöaukkoon. Pyyhi vanha rasva pois sisältä ja laita tilalle uutta rasvaa määrätty määrä (30 g). Käytä ainoastaan aitoa Makita-

rasvaa (lisävaruste). Jos rasvaa pannaan enemmän kuin mitä on määrätty (noin 30 g), vasarointi saattaa toimia virheellisesti tai kone mennä epäkuuntoon. Pane rasvaa aina vain määrätty määrä.

Aseta täyttöaukon kansi takaisin paikalleen ja kiristä se kuusioavaimella. (Kuva 25)

Kytke liitin paikalleen ja kiinnitä kahva uudelleen.

#### (Kuva 26)

VARO:

- Varo vahingoittamasta liittimiä tai johtimia etenkin pyyhkiessäsi vanhaa rasvaa pois ja kiinnittäessäsi kahvaa.
- Älä kiristä täyttöaukon kantta liikaa. Se on valmistettu kumista ja rikkoutuu herkästi.

Laitteen käyttövarmuuden ja turvallisuuden vuoksi korjaukset ja muut huolto- ja säätötyöt saa suorittaa ainoastaan Makitan hyväksymä huoltopiste.

### LISÄVARUSTEET

VARO:

- Näitä lisävarusteita ja -laitteita suositellaan käytettäväksi tässä ohjekirjassa mainitun Makitan koneen kanssa. Minkä tahansa muun lisävarusteen tai -laitteen käyttäminen voi aiheuttaa loukkaantumisvaaran. Käytä lisävarusteita ja -laitteita vain niiden käyttötarkoituksen mukaisesti.

Jos tarvitset apua tai yksityiskohtaisempia tietoja seuraavista lisävarusteista, ota yhteys paikalliseen Makitan huoltoon.

- SDS Plus volframkarbidikärkinen terä
- Lattatalta
- Kylmätalita
- Vasararasva (30 g)
- Terärasva (100 g)
- Syvyystulkki
- Puhallin
- Pölykansi
- Suojalasit
- Poraistukka
- Istukka-avain S13
- Muovinen kantokotelo
- Slvukahva

## Περιγραφή γενικής άποψης

1	Γράσσο αιχμής	11	Σύμβολο “μόνο περιστροφή”	21	Κατσαβίδι
2	Στέλεχος αιχμής	12	Χαλαρώστε	22	Κάλυμμα θήκης ψήκτρας
3	Αιχμή	13	Σφίξτε	23	Καπάκι θήκης ψήκτρας
4	Κάλυμμα σφικτήρα	14	Πλάγια λαβή	24	Βίδες
5	Μοχλός αλλαγής	15	Σκανδάλη διακόπτης	25	Σύνδεσμος
6	Μοχλός ανεβάσματος	16	Καντράν ρύθμισης	26	Μαύρο
7	Σύμβολο “περιστροφής με σφυροκόπημα”	17	Βίδα σφιξίματος	27	Ασπρο
8	Κουμπί ασφάλισης	18	Μετρητής βάθους	28	Καπάκι στροφαλοφόρου
9	Δείκτης	19	Ενδεικτικό λαμπάκι ρεύματος ON (πράσινο)	29	Εξαγ. κλειδί
10	Σύμβολο “μόνο σφυροκόπημα”	20	Ενδεικτικό λαμπάκι συντήρησης (κόκκινο)	30	Γράσσο σφυριού
				31	Σφικτήρας τρυπανιού

## ΤΕΧΝΙΚΑ ΧΑΡΑΚΤΗΡΙΣΤΙΚΑ

## Μοντέλο

HR3000C

## Αποδόσεις

Αιχμή βολφραμίου-ανθρακασβεστίου .....	30 χιλ.
Αιχμή πυρίνα .....	90 χιλ.
Ξύλο .....	30 χιλ.
Ατσάλι .....	13 χιλ.
Ταχύτητα χωρίς φορτίο ( $\text{min}^{-1}$ ) .....	360 – 720
Κτύποι ανά λεπτό .....	1.650 – 3.300
Ολικό μήκος .....	391 χιλ.
Βάρος καθαρό .....	4,8 Χγρ

- Λόγω του συνεχιζόμενου προγράμματος έρευνας και ανάπτυξης, οι παρούσες προδιαγραφές υπόκεινται σε αλλαγή χωρίς προειδοποίηση.
- Παρατήρηση: Τα τεχνικά χαρακτηριστικά μπορεί να διαφέρουν από χώρα σε χώρα.

## Ρευματοδότηση

Το μηχάνημα πρέπει να συνδέεται μόνο σε παροχή ρεύματος της ίδιας τάσης με αυτή που αναφέρεται στην πινακίδα κατασκευαστού και μπορεί να λειτουργήσει μόνο με εναλλασσόμενο μονοφασικό ρεύμα. Τα μηχανήματα αυτά έχουν διπλή μόνωση σύμφωνα με τα Ευρωπαϊκά Πρότυπα και κατά συνέπεια, μπορούν να συνδεθούν σε ακροδέκτες χωρίς σύρμα γείωσης.

## Υποδείξεις ασφάλειας

Για την προσωπική σας ασφάλεια, ανατρέξτε στις εσωκλειστές οδηγίες ασφάλειας.

## ΕΙΔΙΚΟΙ ΚΑΝΟΝΕΣ ΑΣΦΑΛΕΙΑΣ

**ΜΗΝ επιτρέψτε στην βολικότητα ή εξοικείωση με το προϊόν (που αποκτήθηκε από επανειλημμένη χρήση) να αντικαταστήσει την αυστηρή προσήλωση στους κανόνες ασφάλειας του περιστροφικού σφυριού. Εάν χρησιμοποιήσετε το εργαλείο αυτό χωρίς ασφάλεια ή εσφαλμένα, θα υποστείτε σοβαρό προσωπικό τραυματισμό.**

1. Φοράτε γυαλιά. Εκθεση σε θόρυβο μπορεί να προκαλέσει απώλεια ακοής.
2. Χρησιμοποιείτε τις βοηθητικές λαβές που παρέχονται με το εργαλείο. Απώλεια ελέγχου μπορεί να προκαλέσει προσωπικό τραυματισμό.
3. Κρατάτε τα ηλεκτρικά εργαλεία από τις μονωμένες επιφάνειες κρατήματος όταν εκτελείτε μία εργασία όπου το κοπτικό εργαλείο μπορεί να κάνει επαφή με κρυμμένα σύρματα ή και με το δικό του κορδόνι. Επαφή με ένα “ζωντανό” (ηλεκτροφόρο) σύρμα θα καταστήσει όλα τα εκτεθειμένα μεταλλικά τμήματα του εργαλείου “ζωντανά” (ηλεκτροφόρα) και θα προκαλέσει ηλεκτροπληξία στον χειριστή.
4. Φοράτε ένα σκληρό κράνος (κράνος ασφάλειας), γυαλιά ασφάλειας και/ή ασπίδα προσώπου. Τα συνθισμένα γυαλιά ή τα γυαλιά ηλίου DEN είναι γυαλιά ασφάλειας. Συνιστάται επίσης ισχυρώς να φοράτε μία προσωπίδα σκόνης και γάντια με παχιά επένδυση.
5. Βεβαιώνετε ότι η αιχμή είναι στην θέση της πριν από την λειτουργία.
6. Κάτω από κανονικές συνθήκες, το εργαλείο είναι σχεδιασμένο να προκαλεί δονήσεις. Οι βίδες μπορεί να χαλαρώσουν εύκολα, προκαλώντας βλάβη ή ατύχημα. Ελέγχετε το σφίξιμο των βιδών προσεκτικά πριν από την λειτουργία.
7. Σε κρίσιμο καιρό ή όταν το εργαλείο δεν έχει χρησιμοποιηθεί για πολύ καιρό, αφήστε το εργαλείο να θερμανθεί για λίγο λειτουργώντας το χωρίς φορτίο. Αυτό θα ρευστοποιήσει την λίπανση. Χωρίς την κατάλληλη προθέρμανση, η λειτουργία σφυροκόπηματος είναι δύσκολη.
8. Πάντοτε βεβαιώνετε ότι έχετε σταθερή βάση ποδιών. Βεβαιώνετε ότι δεν είναι κανείς από κάτω όταν χρησιμοποιείτε το εργαλείο σε υψηλές θέσεις.
9. Κρατάτε το εργαλείο σταθερά και με τα δύο χέρια.
10. Κρατάτε τα χέρια σας μακριά από τα κινούμενα μέρη.

11. Μην αφήνετε το εργαλείο σε λειτουργία. Λειτουργείτε το εργαλείο μόνο όταν το κρατάτε στα χέρια σας.
12. Μη διευθύνετε το εργαλείο προς άλλα άτομα στην περιοχή λειτουργίας. Η αιχμή μπορεί να πεταχτεί έξω και να τραυματίσει κάποιον σοβαρά.
13. Μην αγγίζετε την αιχμή ή μέρη κοντά στην αιχμή αμέσως μετά την λειτουργία. Μπορεί να είναι υπερβολικά καυτά και να σας προκαλέσουν εγκαύματα στο δέρμα.
14. Μερικά υλικά περιέχουν χημικές ουσίες που μπορεί να είναι τοξικές. Προσέχετε να μην εισπνεύσετε σκόνη και να μην έχετε δερματική επαφή. Ακολουθείστε τις οδηγίες ασφάλειας του προμηθευτή των υλικών.

## ΦΥΛΑΞΤΕ ΤΙΣ ΟΔΗΓΙΕΣ ΑΥΤΕΣ.

### ΠΡΟΕΙΔΟΠΟΙΗΣΗ:

**ΚΑΚΗ ΧΡΗΣΗ ή αμέλεια να ακολουθήσετε τους κανόνες ασφάλειας που διατυπώνονται σ' αυτό το εγχειρίδιο οδηγιών μπορεί να προκαλέσει σοβαρό προσωπικό τραυματισμό.**

## ΟΔΗΓΙΕΣ ΧΡΗΣΗΣ

### Τοποθέτηση ή αφαίρεση της αιχμής τρυπανιού

Σημαντικό:

Πάντοτε βεβαιώνετε ότι το μηχανήμα είναι σβηστό και αποσυνδεδεμένο πριν τοποθετήσετε ή αφαιρέσετε την αιχμή.

Καθαρίστε το στέλεχος της αιχμής και βάλτε το γράσο αιχμής που παρέχεται γιαυτό πριν τοποθετήσετε την αιχμή. **(Εικ. 1)**

Βάλτε την αιχμή στο μηχανήμα. Στριψίτε την αιχμή και σπρώχτε τη μέχρι να εμπλακεί. **(Εικ. 2)**

Εάν η αιχμή δεν μπορεί να σπρωχθεί μέσα αφαιρέστε τη. Τραβήχτε το κάλυμμα του σφικτήρα κάτω δύο φορές. Μετά βάλτε την αιχμή πάλι. Στριψίτε την αιχμή και σπρώχτε τη μέχρι να εμπλακεί. **(Εικ. 3)**

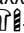
Μετά την τοποθέτηση, πάντοτε βεβαιώνετε ότι η αιχμή είναι καλά στερεωμένη προσπαθώντας να την τραβήξετε έξω.

Για να αφαιρέσετε την αιχμή, τραβήχτε το κάλυμμα του σφικτήρα κάτω όσο μπορεί να πάει και τραβήχτε έξω την αιχμή. **(Εικ. 4)**

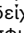
### Επιλογή τρόπου δράσης

Όταν επιλέγετε τη διαμόρφωση δράσης, πρώτα θέστε το μοχλό αλλαγής και το μοχλό ανεβάσματος στη θέση που φαίνεται στην **Εικ. 5**. Επειτα ακολουθείστε τη διαδικασία ως ακολούθως.

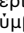
#### Περιστροφή με σφυροκόπημα **(Εικ. 6 και 7)**

Για τρυπάνισμα σε τσιμέντο, τοίχους κλπ., πατήστε το κουμπί ασφάλισης και περιστρέψτε το μοχλό αλλαγής έτσι ώστε ο δείκτης δείχνει στο σύμβολο . Χρησιμοποιείτε αιχμή βολφραμίου-ανθρακασβεστίου.

#### Μόνο σφυροκόπημα **(Εικ. 6 και 8)**

Για λειτουργίες πελεκίσματος, ξυσίματος ή κατεδάφισης, πατήστε το κουμπί ασφάλισης και περιστρέψτε το μοχλό αλλαγής έτσι ώστε ο δείκτης δείχνει στο σύμβολο . Χρησιμοποιείτε σφυροκέφαλο, ψυχρή σμίλη, σμίλη απόξυσης, κλπ.

### Περιστροφή μόνο **(Εικ. 6 και 9)**

Για τρυπάνισμα σε ξύλο, μέταλλα ή πλαστικά υλικά, περιστρέψτε το μοχλό ανεβάσματος έτσι ώστε ο σύμβολο  να είναι ευθυγραμμισμένο με τον δείκτη στο μοχλό αλλαγής. Χρησιμοποιείτε μια περιστροφική αιχμή ή μια ξυλίνη αιχμή.

ΠΡΟΣΟΧΗ:


- Μην περιστρέφετε το μοχλό αλλαγής ή/και το μοχλό ανεβάσματος όταν η μηχανή λειτουργεί με φορτίο. Το μηχανήμα θα καταστραφεί.
- Για να αποφύγετε γρήγορη φθορά του μηχανισμού αλλαγής διαμόρφωσης, σιγουρευτείτε ότι ο μοχλός αλλαγής ή/και ο μοχλός ανεβάσματος είναι πάντα σωστά τοποθετημένοι σε μία από τις τρεις θέσεις διαμόρφωσης δράσης.
- Η διαμόρφωση δράσης δεν μπορεί να αλλάξει απευθείας από την διαμόρφωση “μόνο σφυροκόπημα” στην διαμόρφωση “μόνο περιστροφή” ή από την διαμόρφωση “μόνο περιστροφή” στην διαμόρφωση “μόνο σφυροκόπημα”. Πρώτα θέστε το μοχλό αλλαγής και το μοχλό ανεβάσματος στην διαμόρφωση “περιστροφή με σφυροκόπημα” όπως φαίνεται στην **Εικ. 5**. Επειτα θέστε τους στη θέση “μόνο περιστροφή” ή “μόνο σφυροκόπημα”.

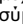
### Γωνία αιχμής

**(σε πελέκιωμα, απόξυση, κατεδάφιση)**

Σημαντικό:

Πάντοτε βεβαιώνετε ότι το μηχανήμα είναι σβηστό και αποσυνδεδεμένο πριν αλλάξετε γωνία αιχμής.

Η αιχμή μπορεί να στερεωθεί σε 12 διαφορετικές γωνίες. Για να αλλάξετε τη γωνία αιχμής πατήστε το κουμπί ασφάλισης και περιστρέψτε το μοχλό αλλαγής έτσι ώστε ο δείκτης δείχνει στο σύμβολο . Στριψίτε την αιχμή στην επιθυμητή γωνία. **(Εικ. 10)**

Πατήστε το κουμπί ασφάλισης και περιστρέψτε το μοχλό αλλαγής έτσι ώστε ο δείκτης δείχνει στο σύμβολο .

Μετά βεβαιωθείτε ότι η αιχμή είναι καλά στερεωμένη στρίβοντας την ελαφρά. **(Εικ. 11)**

### Πλάγια λαβή **(Εικ. 12)**

ΠΡΟΣΟΧΗ:

- Χρησιμοποιείτε πάντοτε τη πλάγια λαβή για ασφάλεια λειτουργίας όταν τρυπανίζετε σε τσιμέντο, τοίχους, κλπ.
- Όταν το μηχανήμα αρχίζει να διαπερνά το τσιμέντο ή όταν η αιχμή χτυπήσει τις ράβδους ενίσχυσης του τσιμέντου, η αντίδραση του μηχανήματος μπορεί να είναι επικίνδυνη. Διατηρείτε καλή ισορροπία και ασφαλή θέση ποδιών ενώ κρατάτε το μηχανήμα σταθερά με τα δύο χέρια σας για να εμποδίσετε επικίνδυνη αντίδραση.

Η πλάγια λαβή στρέφεται σε εκάτερη πλευρά, επιτρέποντας εύκολη χρήση του μηχανήματος σε κάθε θέση. Χαλαρώστε τη πλάγια λαβή στρίβοντας την αριστερόστροφα, γυρίστε τη στην επιθυμητή θέση και μετά σφίχτε τη στρίβοντας την δεξιόστροφα.

## Λειτουργία διακόπτη (Εικ. 13)

ΠΡΟΣΟΧΗ:

Πριν συνδέσετε το μηχάνημα στο ρεύμα, πάντοτε ελέγχετε να δείτε ότι η σκανδάλη διακόπτης ενεργοποιείται κανονικά και επιστρέφει στη θέση “OFF” όταν ελευθερώνεται.

Για να ξεκινήσετε το μηχάνημα, απλώς τραβήχτε τη σκανδάλη. Ελευθερώστε τη σκανδάλη να σταματήσει.

## Αλλαγή ταχύτητας (Εικ. 14)


Οι περιστροφές και κτυπήματα ανά λεπτό μπορούν να ρυθμιστούν απλώς στρίβοντας το καντράν ρύθμισης. Το καντράν είναι βαθμολογημένο από 1 (χαμηλότερη ταχύτητα) μέχρι 6 (υψηλότερη ταχύτητα). Ανατρέξτε στον πίνακα παρακάτω για τη σχέση μεταξύ αριθμών ρύθμισης στο καντράν ρύθμισης και των περιστροφών/κτυπημάτων ανά λεπτό.

Αριθμός στο καντράν ρύθμισης	Στροφές ανά λεπτό	Κτύποι ανά λεπτό
6	720	3.300
5	690	3.150
4	590	2.700
3	490	2.250
2	390	1.800
1	360	1.650

## Λειτουργία τρυπανίσματος με σφυροκόπημα (Εικ. 15)

ΠΡΟΣΟΧΗ:

Όταν το μηχάνημα αρχίζει να διαπερνά το τσιμέντο ή όταν η αιχμή χτυπήσει τις ράβδους ενίσχυσης του τσιμέντου, η αντίδραση του μηχανήματος μπορεί να είναι επικίνδυνη. Διατηρείτε καλή ισορροπία και ασφαλή θέση ποδιών ενώ κρατάτε το μηχάνημα σταθερά με τα δύο χέρια σας για να εμποδίσετε επικίνδυνη αντίδραση.

Ρυθμίστε το μοχλό αλλαγής και το μοχλό ανεβάσματος στο σύμβολο .

Βάλτε την αιχμή στη θέση για την τρύπα και τραβήχτε την σκανδάλη. Μη ζορίζετε το μηχάνημα. Η ελεφρά πίεση δίνει τα καλύτερα αποτελέσματα. Διατηρείτε το μηχάνημα στη θέση του και μην το αφήσετε να γλιστρήσει έξω από την τρύπα.

Μην εφαρμόσετε μεγαλύτερη πίεση όταν η τρύπα βουλώνει με αποξύσματα ή τεμαχίδια. Αντίθετα, λειτουργήστε το μηχάνημα στο ραλαντί, και βγάλτε το από τη τρύπα. Επαναλαμβάνοντας αυτό αρκετές φορές, η τρύπα θα καθαριστεί.


## Περιοριστής ροπής

Ο περιοριστής ροπής θα ενεργοποιηθεί όταν μια ορισμένη στάθμη ροπής πλησιαστεί. Το μοτέρ θα αποσυνδεθεί από τον κινητήριο άξονα. Όταν αυτό συμβεί, η αιχμή θα σταματήσει να γυρίζει.

ΠΡΟΣΟΧΗ:

Μόλις ο περιοριστής ροπής ενεργοποιηθεί, σβήστε το μηχάνημα αμέσως. Αυτό θα βοηθήσει να εμποδιστεί η πρόωμη φθορά του μηχανήματος.


## Πελέκισμα/Απόξεση/Κατεδάφιση (Εικ. 16)

Βάλτε το μοχλό αλλαγής στο σύμβολο .

Κρατάτε το μηχάνημα σταθερά και με τα δύο χέρια. Ανάψτε το μηχάνημα και εφαρμόστε ελαφρά πίεση στο μηχάνημα ώστε να μην αναπηδήσει ανεξέλεγκτα. Πιέζοντας πολύ σκληρά το μηχάνημα δεν θα αυξήσει την απόδοση.

## Διαδικασία τρυpanίσματος (Εικ. 17)

Χρησιμοποιείτε την προαιρετική μονάδα σφικτήρα τρυπανιού. Για τον τρόπο τοποθέτησης κοιτάξετε στο τμήμα “Τοποθέτηση ή αφαίρεση της αιχμής τρυπανιού” που βρίσκεται στην προηγούμενη σελίδα. Μπορείτε να τρυπήσετε μέχρι 13 χιλ. διάμετρο σε μέταλλο και μέχρι 30 χιλ. διάμετρο σε ξύλο.

Θέστε το μοχλό αλλαγής και το μοχλό ανεβάσματος στο σύμβολο .

• Τρυπάνισμα σε ξύλο

Όταν τρυpanίζετε σε ξύλο, τα καλύτερα αποτελέσματα επιτυγχάνονται με τρυπάνια ξύλου εφοδιασμένα με βίδα οδηγό. Η βίδα οδηγός κάνει το τρυpanισμα ευκολότερο παρασύροντας την αιχμή μέσα στο αντικείμενο εργασίας.

• Τρυpanισμα σε μέταλλο

Για να αποφύγετε γλίστρημα της αιχμής όταν αρχίζετε μία τρύπα, κάντε ένα βαθούλωμα με ένα καλέμι και σφυρί στο σημείο τρυpanισμού. Τοποθετήστε το άκρο της αιχμής στο βαθούλωμα και αρχίστε το τρυpanισμα.

Χρησιμοποιείτε ένα λιπαντικό κοπής όταν τρυpanίζετε σε μέταλλα. Οι εξαιρέσεις είναι ο μπρούτζος που πρέπει να τρυpanίζονται στεγνά.

ΠΡΟΣΟΧΗ:

• Πιέζοντας υπερβολικά στο μηχάνημα δεν θα επιταχύνει το τρυpanισμα. Στη πραγματικότητα, αυτή η υπερβολική πίεση θα προκαλέσει μόνο ζημιά στο άκρο της αιχμής, θα μειώσει την απόδοση του μηχανήματος και θα βραχύνει τον ωφέλιμο χρόνο χρήσης του μηχανήματος.

• Ποτέ μη χρησιμοποιείτε “περιστροφή με σφυροκόπημα” όταν το σύνολο σφικτήρα τρυpanιού είναι τοποθετημένο στο εργαλείο. Το σύνολο σφικτήρα τρυpanιού μπορεί να πάθει ζημιά.

## Μετρητής βάθους (Εικ. 18)

Ο μετρητής βάθους είναι βολικός για άνοιγμα τρυπών ενιαίου βάθους. Χαλαρώστε τη βίδα σφειμάτος και ρυθμίστε το μετρητή βάθους στο επιθυμητό βάθος. Μετά τη ρύθμιση, σφίχτε τη βίδα σφειμάτος σταθερά.

ΠΑΡΑΤΗΡΗΣΗ:

Ο μετρητής βάθους δε μπορεί να χρησιμοποιηθεί στη θέση όπου ο μετρητής βάθους χτυπάει στο κιβώτιο ταχυτήτων/περίβλημα μοτέρ.

## Ενδεικτικό λαμπάκι (Εικ. 19)

Το πράσινο ενδεικτικό λαμπάκι ρεύματος φωτίζεται όταν το μηχάνημα ανάψει. Εάν το λαμπάκι φωτίζεται αλλά το μηχάνημα δεν ξεκινά, οι ψήκτρες άνθρακος μπορεί να έχουν φθαρεί, ή το ηλεκτρικό κύκλωμα στο μοτέρ μπορεί να έχει βλάβη. Εάν το λαμπάκι δεν φωτίζεται και το μηχάνημα δεν ξεκινά, ο διακόπτης ON/OFF στο καλώδιο ρεύματος μπορεί να έχει βλάβη.

Το κόκκινο λαμπάκι συντήρησης φωτίζεται όταν οι ψήκτρες άνθρακος είναι σχεδόν κατεστραμμένες για να δείξει ότι το μηχάνημα χρειάζεται συντήρηση. Μετά από 8 ώρες χρήσης, το μοτέρ θα σβήσει αυτόματα.

## ΣΥΝΤΗΡΗΣΗ

### ΠΡΟΣΟΧΗ:

Πριν την εκτέλεση εργασιών με τη μηχανή σβήνομε πάντα τη μηχανή και βγάζομε τη πρίζα.

### Αντικατάσταση των ψηκτρών άνθρακα (Εικ. 20 και 21)

Όταν οι ψήκτρες άνθρακος πρέπει να αντικατασταθούν, αποσυνδέουν το μηχάνημα αυτόματα. Όταν αυτό συμβαίνει, αφαιρέστε τις βίδες που στερεώνουν το κάλυμμα θήκης των ψηκτρών. Αφαιρέστε το κάλυμμα θήκης ψηκτρών και καπάκι θήκης ψηκτρών. Μετά αντικαταστήστε και τις δύο ψήκτρες άνθρακος ταυτόχρονα. Χρησιμοποιείτε μόνο πανομοιότυπες ψήκτρες.

### Λίπανση

Αυτό το μηχάνημα δεν χρειάζεται ωριαία ή ημερήσια λίπανση γιατί έχει ένα σύστημα λίπανσης αποθηκευμένου γράσσου. Λιπάνετε το μηχάνημα κάθε φορά που οι ψήκτρες άνθρακα αντικαθιστούνται.

Λειτουργήστε το μηχάνημα για μερικά λεπτά για να ζεσταθεί. Σβήστε και αποσυνδέστε το μηχάνημα από το ρεύμα.

Χαλαρώστε τις έξι βίδες και αφαιρέστε τη λαβή. Σημειώστε ότι οι βίδες κορυφής είναι διαφορετικές από τις άλλες βίδες. (Εικ. 22)

Αποσυνδέστε τον σύνδεσμο τραβώντας τον. (Εικ. 23)

Αφαιρέστε το καπάκι στροφαλοφόρου με ένα εξαγ. κλειδί. (Εικ. 24)

Ακουμπήστε το μηχάνημα στο τραπέζι με την άκρη της αιχμής προς τα επάνω. Αυτό θα επιτρέψει στο παλιό γράσο να συγκεντρωθεί στο εσωτερικό του περιβλήματος του στροφαλοφόρου. Σφουγγίστε το παλιό γράσο και αντικαταστήστε το με φρέσκο (30γρ.). Χρησιμοποιείτε μόνο αυθεντικό γράσο σφυριού Μάκιτα (προαιρετικό είδος). Γεμίζοντας με περισσότερο από το ενδεικνυόμενο ποσό γράσσου (περίπου 30γρ.) μπορεί να προκαλέσει εσφαλμένη λειτουργία σφυροκόπησης ή βλάβη του μηχανήματος. Γεμίστε μόνο με το ενδεικνυόμενο ποσό γράσσου. Ξανατοποθετήστε το καπάκι στροφαλοφόρου και σφίξτε με το εξαγ. κλειδί. (Εικ. 25)

Συνδέστε τον σύνδεσμο και επανατοποθετήστε την λαβή. (Εικ. 26)

### ΠΡΟΣΟΧΗ:

- Προσέχετε να μη προκαλέσετε ζημιά στους πόλους ή στα καλώδια μολύβδου ειδικά όταν σφουγγίζετε το παλιό γράσο ή τοποθετείτε τη λαβή.
- Μη σφίγγετε το καπάκι στροφαλοφόρου υπερβολικά. Είναι κατασκευασμένο από ρητίνη και είναι εύθραυστο.

Για τη διασφάλιση της σιγουριάς και αξιοπιστίας των προϊόντων μας πρέπει οι επισκευές, εργασίες συντήρησης ή ρυθμίσεις να εκτελούνται από εξουσιοδοτημένα εργαστήρια σέρβις πελατών Μάκιτα.

## ΕΞΑΡΤΗΜΑΤΑ

### ΠΡΟΣΟΧΗ:

- Αυτά τα εξαρτήματα ή προσαρτήματα συνιστώνται για χρήση με το εργαλείο Μάκιτα που περιγράφηκε στις οδηγίες αυτές. Η χρήση οτιδήποτε άλλων εξαρτημάτων ή προσαρτημάτων μπορεί να προκαλέσει κίνδυνο τραυματισμού σε άτομα. Χρησιμοποιείτε τα εξαρτήματα ή προσαρτήματα μόνο για την χρήση που προορίζονται.

Εάν χρειάζεστε οποιαδήποτε βοήθεια για περισσότερες πληροφορίες σε σχέση με αυτά τα εξαρτήματα, αποτανθείτε στο τοπικό σας κέντρο εξυπηρέτησης Μάκιτα.

- Αιχμή SDS πρόσθετα επιβολοφραμιωμένη - επικαρβιδιωμένη
- Κεντρικό σημείο
- Κρύα σμίλη
- Γράσσος σφυριού (30 γρ.)
- Γράσσος αιχμής (100 γρ.)
- Οδηγός βάθους
- Φούσκα ξεφούσματος
- Κούπα σκόνης
- Γυαλιά ασφαλείας
- Σφιχτήρας αιχμής
- Κλειδί σφίξιματος S13
- Πλαστική θήκη μεταφοράς
- Πλάγια λαβή



**ENGLISH****EC-DECLARATION OF CONFORMITY**

We declare under our sole responsibility that this product is in compliance with the following standards of standardized documents,

EN60745, EN55014, EN61000

in accordance with Council Directives, 89/336/EEC and 98/37/EC.

**FRANÇAISE****DÉCLARATION DE CONFORMITÉ CE**

Nous déclarons sous notre entière responsabilité que ce produit est conforme aux normes des documents standardisés suivants,

EN60745, EN55014, EN61000

conformément aux Directives du Conseil, 89/336/CEE et 98/37/EG.

**DEUTSCH****CE-KONFORMITÄTSERKLÄRUNG**

Hiermit erklärt wir unter unserer alleinigen Verantwortung, daß dieses Produkt gemäß den Ratsdirektiven 89/336/EWG und 98/37/EG mit den folgenden Normen von Normendokumenten übereinstimmen:

EN60745, EN55014, EN61000.

**ITALIANO****DICHIARAZIONE DI CONFORMITÀ  
CON LE NORME DELLA COMUNITÀ EUROPEA**

Dichiariamo sotto la nostra sola responsabilità che questo prodotto è conforme agli standard di documenti standardizzati seguenti:

EN60745, EN55014, EN61000

secondo le direttive del Consiglio 89/336/CEE e 98/37/CE.

**NEDERLANDS****EG-VERKLARING VAN CONFORMITEIT**

Wij verklaren hierbij uitsluitend op eigen verantwoordelijkheid dat dit produkt voldoet aan de volgende normen van genormaliseerde documenten,

EN60745, EN55014, EN61000

in overeenstemming met de richtlijnen van de Raad 89/336/EEC en 98/37/EC.

**ESPAÑOL****DECLARACIÓN DE CONFORMIDAD DE LA CE**

Declaramos bajo nuestra sola responsabilidad que este producto cumple con las siguientes normas de documentos normalizados,

EN60745, EN55014, EN61000

de acuerdo con las directivas comunitarias, 89/336/EEC y 98/37/CE.

Yasuhiko Kanzaki **CE 2005**



Director	Amministratore
Directeur	Directeur
Direktor	Director

**MAKITA INTERNATIONAL EUROPE LTD.**

Michigan Drive, Tongwell, Milton Keynes,  
Bucks MK15 8JD, ENGLAND

Responsible manufacturer:	Produttore responsabile:
Fabricant responsable :	Verantwoordelijke fabrikant:
Verantwortlicher Hersteller:	Fabricante responsable:

Makita Corporation Anjo Aichi Japan

**PORTUGUÊS****DECLARAÇÃO DE CONFORMIDADE DA CE**

Declaramos sob inteira responsabilidade que este produto obedece às seguintes normas de documentos normalizados,

EN60745, EN55014, EN61000

de acordo com as directivas 89/336/CEE e 98/37/CE do Conselho.

**DANSK****EU-DEKLARATION OM KONFORMITET**

Vi erklærer hermed på eget ansvar, at dette produkt er i overensstemmelse med de følgende standarder i de norm-sættende dokumenter,

EN60745, EN55014, EN61000

i overensstemmelse med Rådets Direktiver 89/336/EEC og 98/37/EC.

**SVENSKA****EG-DEKLARATION OM ÖVERENSSTÄMMELSE**

Under eget ansvar deklarerar vi härmed att denna produkt överensstämmer med följande standardiseringar för standardiserade dokument,

EN60745, EN55014, EN61000

i enlighet med EG-direktiven 89/336/EEC och 98/37/EC.

**NORSK****EUs SAMSVARS-ERKLÆRING**

Vi erklærer på eget ansvar at dette produktet er i overensstemmelse med følgende standard i de standardiserte dokumenter:

EN60745, EN55014, EN61000,

i samsvar med Råds-direktivene, 89/336/EEC og 98/37/EC.

**SUOMI****VAKUUTUS EC-VASTAAVUUDESTA**

Yksinomaisesti vastuullisina ilmoitamme, että tämä tuote on seuraavien standardoitujen dokumenttien standardien mukainen,

EN60745, EN55014, EN61000

neuvoston direktiivien 89/336/EEC ja 98/37/EC mukaisesti.

**ΕΛΛΗΝΙΚΑ****ΔΗΛΩΣΗ ΣΥΜΜΟΡΦΩΣΗΣ ΕΚ**

Δηλώνουμε υπό την μοναδική μας ευθύνη ότι αυτό το προϊόν βρίσκεται σε Συμφωνία με τα ακόλουθα πρότυπα τυποποιημένων εγγράφων,

EN60745, EN55014, EN61000

σύμφωνα με τις Οδηγίες του Συμβουλίου, 89/336/EEC και 98/37/ΚΕ.

Yasuhiko Kanzaki CE 2005



Director  
Direktør  
Direktör

Direktor  
Johtaja  
Διευθυντής

**MAKITA INTERNATIONAL EUROPE LTD.**

Michigan Drive, Tongwell, Milton Keynes,  
Bucks MK15 8JD, ENGLAND

Fabricante responsável:  
Ansvarlig fabrikant:  
Ansvarig tillverkare:

Ansvarlig produsent:  
Vastaava valmistaja:  
Υπεύθυνος κατασκευαστής:

Makita Corporation Anjo Aichi Japan

**ENGLISH****For European countries only****Noise and Vibration**

The typical A-weighted noise levels are  
 sound pressure level: 89 dB (A)  
 sound power level: 100 dB (A)  
 Uncertainty is 3 dB (A).  
 – Wear ear protection. –

The typical weighted root mean square acceleration value is  $9 \text{ m/s}^2$ .  
 These values have been obtained according to EN60745.

**FRANÇAISE****Pour les pays d'Europe uniquement****Bruit et vibrations**

Les niveaux de bruit pondérés types A sont:  
 niveau de pression sonore: 89 dB (A)  
 niveau de puissance du son: 100 dB (A)  
 L'incertitude de mesure est de 3 dB (A).  
 – Porter des protecteurs anti-bruit. –  
 L'accélération pondérée est de  $9 \text{ m/s}^2$ .  
 Ces valeurs ont été obtenues selon EN60745.

**DEUTSCH****Nur für europäische Länder****Geräusch- und Vibrationsentwicklung**

Die typischen A-bewerteten Geräuschpegel betragen:  
 Schalldruckpegel: 89 dB (A)  
 Schalleistungspegel: 100 dB (A)  
 Die Abweichung beträgt 3 dB (A).  
 – Gehörschutz tragen. –  
 Der gewichtete Effektivwert der Beschleunigung beträgt  $9 \text{ m/s}^2$ .  
 Diese Werte wurden gemäß EN60745 erhalten.

**ITALIANO****Modello per l'Europa soltanto****Rumore e vibrazione**

I livelli del rumore pesati secondo la curva A sono:  
 Livello pressione sonora: 89 dB (A)  
 Livello potenza sonora: 100 dB (A)  
 L'incertezza è di 3 dB (A).  
 – Indossare i paraorecchi. –

Il valore quadratico medio di accelerazione è di  $9 \text{ m/s}^2$ .  
 Questi valori sono stati ottenuti in conformità EN60745.

**NEDERLANDS****Alleen voor Europese landen****Geluidsniveau en trilling**

De typische A-gewogen geluidsniveau's zijn  
 geluidsdruk-niveau: 89 dB (A)  
 geluidsenergie-niveau: 100 dB (A)  
 Onzekerheid is 3 dB (A).  
 – Draag oorbeschermers. –  
 De typische gewogen effectieve versnellingswaarde is  $9 \text{ m/s}^2$ .  
 Deze waarden werden verkregen in overeenstemming met EN60745.

**ESPAÑOL****Para países europeos solamente****Ruido y vibración**

Los niveles típicos de ruido ponderados A son  
 presión sonora: 89 dB (A)  
 nivel de potencia sonora: 100 dB (A)  
 Incerteza 3 dB (A).  
 – Póngase protectores en los oídos. –  
 El valor ponderado de la aceleración es de  $9 \text{ m/s}^2$ .  
 Estos valores han sido obtenidos de acuerdo con EN60745.

**PORTUGUÊS****Só para países Europeus****Ruído e vibração**

Os níveis normais de ruído A são  
 nível de pressão de som: 89 dB (A)  
 nível do som: 100 dB (A)  
 A incerteza é de 3 dB (A).

– Utilize protectores para os ouvidos –

O valor médio da aceleração é  $9 \text{ m/s}^2$ .

Estes valores foram obtidos de acordo com EN60745.

**DANSK****Kun for lande i Europa****Lyd og vibration**

De typiske A-vægtede lydniveauer er  
 lydtryksniveau: 89 dB (A)  
 lydeffektniveau: 100 dB (A)  
 Der er en usikkerhed på 3 dB (A).  
 – Bær høreværn. –

Den vægtede effektive accelerationsværdi er  $9 \text{ m/s}^2$ .

Disse værdier er beregnet i overensstemmelse med EN60745.

**SVENSKA****Endast för Europa****Buller och vibration**

De typiska A-vägda bullernivåerna är  
 ljudtrycksnivå: 89 dB (A)  
 ljudeffektnivå: 100 dB (A)  
 Osäkerheten är 3 dB (A).  
 – Använd hörselskydd –

Det typiskt vägda effektivvärdet för acceleration är  $9 \text{ m/s}^2$ .

Dessa värden har erhållits i enlighet med EN60745.

**NORSK****Gjelder bare land i Europa****Støy og vibrasjon**

De vanlige A-belastede støynivå er  
 lydtrykksnivå: 89 dB (A)  
 lydstyrkenivå: 100 dB (A)  
 Usikkerheten er på 3 dB (A).

– Benytt hørselvern. –

Den vanlig belastede effektiv-verdi for akselerasjon er  $9 \text{ m/s}^2$ .

Disse verdiene er beregnet eller målt i samsvar med EN60745.

**SUOMI****Vain Euroopan maat****Melutaso ja värinä**

Tyypilliset A-painotetut melutasot ovat  
 äänenpainetaso: 89 dB (A)  
 äänen tehotaso: 100 dB (A)  
 Epävarmuus on 3 dB (A).  
 – Käytä kuulosuojaimia. –

Tyypillinen kiihtyvyyden painotettu tehollisarvo on  $9 \text{ m/s}^2$ .

Nämä arvot on mitattu normin EN60745 mukaisesti.

**ΕΛΛΗΝΙΚΑ****Μόνο για χώρες της Ευρώπης****Θόρυβος και κραδασμός**

Οι τυπικές Α-μετρούμενες εντάσεις ήχου είναι  
 πίεση ήχου: 89 dB (A)  
 δύναμη του ήχου: 100 dB (A)  
 Η Αβεβαιότητα είναι 3 dB (A).  
 – Φοράτε ωτοασπίδες. –

Η τυπική αξία της μετρούμενης ρίζας του μέσου τετραγώνου της επιτάχυνσης είναι  $9 \text{ m/s}^2$ .

Αυτές οι τιμές έχουν σημειωθεί σύμφωνα με το EN60745.

**Makita Corporation**

Anjo, Aichi, Japan

884253C994