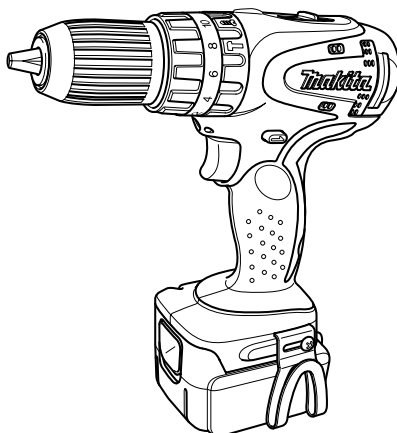
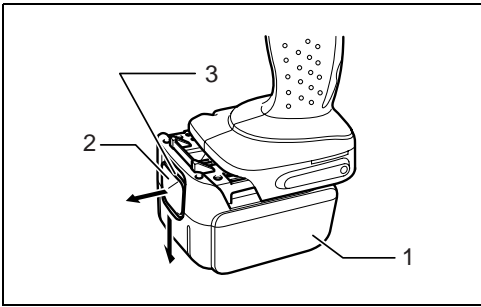




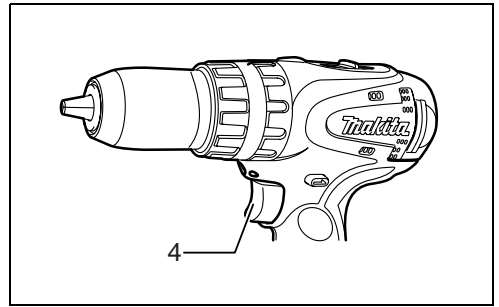
<b>GB</b>	<b>Cordless Percussion-Driver Drill</b>	<b>Instruction manual</b>
<b>F</b>	<b>Perceuse percussion-visseuse sans fil</b>	<b>Manuel d'instructions</b>
<b>D</b>	<b>Akku-Schlagbohrschrauber</b>	<b>Betriebsanleitung</b>
<b>I</b>	<b>Trapano avvitatore percussione a batteria</b>	<b>Istruzioni per l'uso</b>
<b>NL</b>	<b>Accu slagboor/schroevendraaier</b>	<b>Gebruiksaanwijzing</b>
<b>E</b>	<b>Taladro atornillador con percusión a batería</b>	<b>Manual de instrucciones</b>
<b>P</b>	<b>Berbequim de percussão a bateria</b>	<b>Manual de instruções</b>
<b>DK</b>	<b>Akku-slagboremaskine/skruemaskine</b>	<b>Brugsanvisning</b>
<b>S</b>	<b>Sladdlös slagborr/skruvmaskin</b>	<b>Bruksanvisning</b>
<b>N</b>	<b>Batteridrevet slagbor med skrutrekker</b>	<b>Bruksanvisning</b>
<b>SF</b>	<b>Akkukäyttöinen iskupora/ruuvinväännin</b>	<b>Käyttöohje</b>
<b>GR</b>	<b>Κρουστικό δραπενοκατσάβιδο μπαταρίας</b>	<b>Οδηγίες χρήσης</b>

## **BHP440/BHP450**

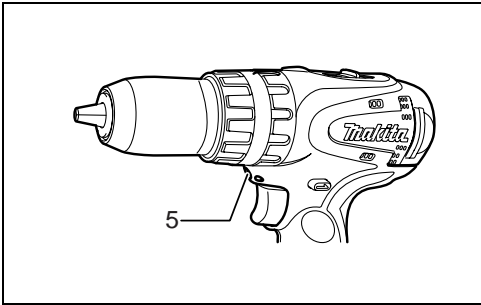




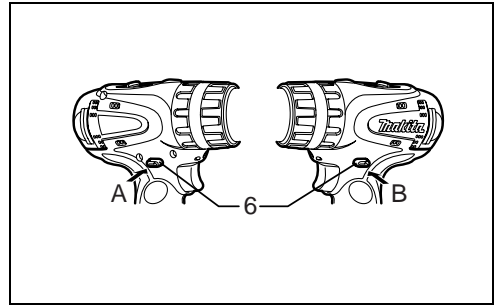
1



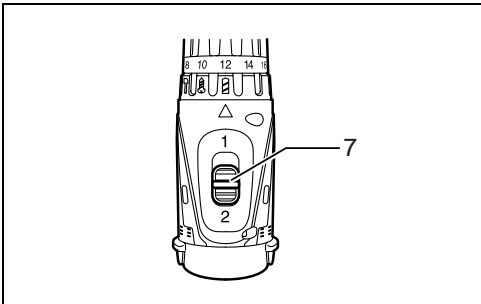
2



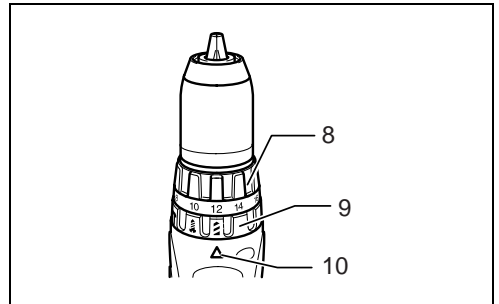
3



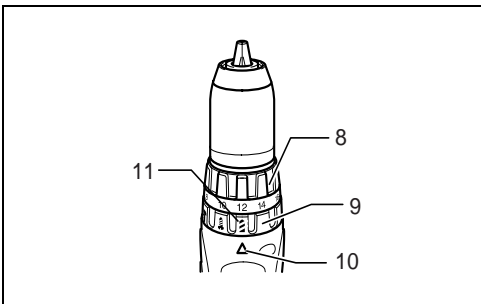
4



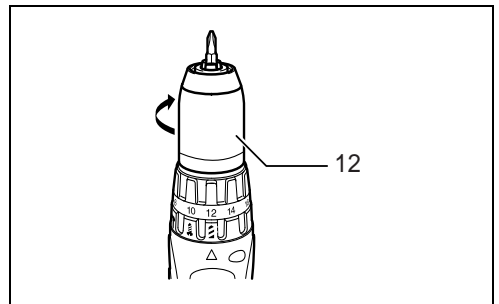
5



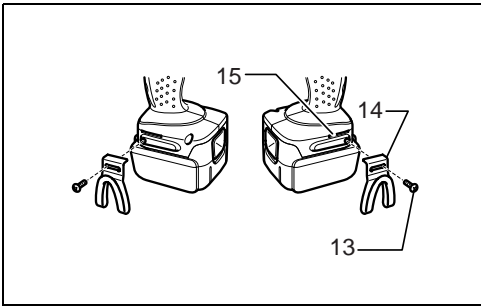
6



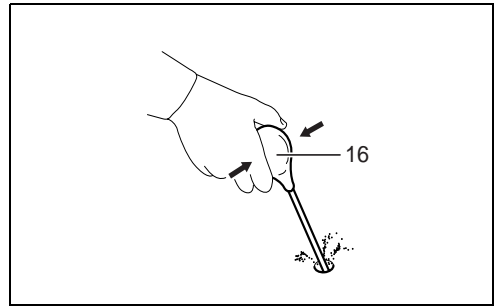
7



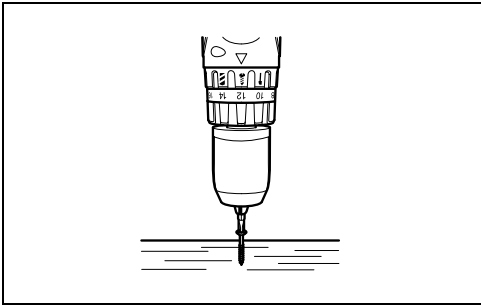
8



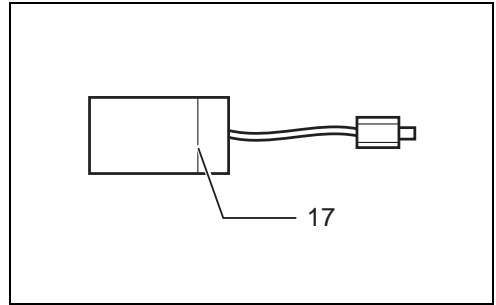
9



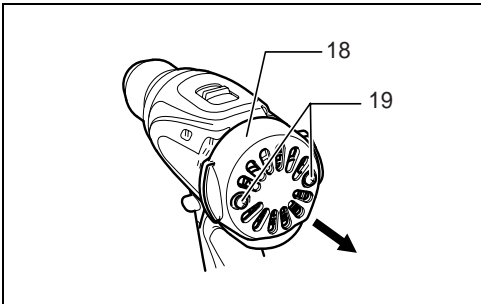
10



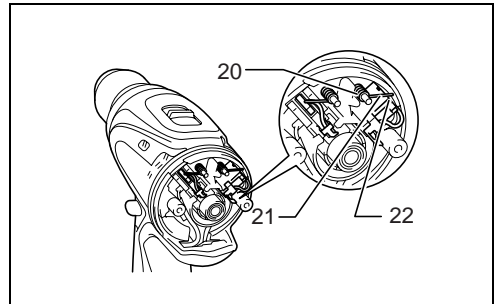
11



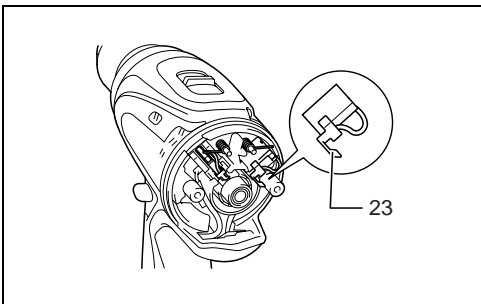
12



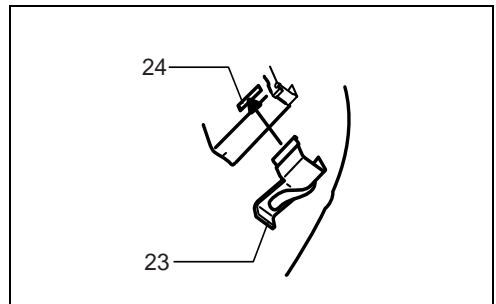
13



14



15



16

## ENGLISH

### Explanation of general view

- |                           |                              |                      |
|---------------------------|------------------------------|----------------------|
| 1. Battery cartridge      | 9. Action mode changing ring | 17. Limit mark       |
| 2. Button                 | 10. Arrow                    | 18. Rear cover       |
| 3. Red part               | 11. Graduations              | 19. Screws           |
| 4. Switch trigger         | 12. Sleeve                   | 20. Spring           |
| 5. Lamp                   | 13. Screw                    | 21. Arm              |
| 6. Reversing switch lever | 14. Hook                     | 22. Recessed part    |
| 7. Speed change lever     | 15. Groove                   | 23. Carbon brush cap |
| 8. Adjusting ring         | 16. Blow-out bulb            | 24. Hole             |

## SPECIFICATIONS

Model	BHP440	BHP450
Capacities	Concrete	13 mm
	Steel	13 mm
	Wood	27 mm
	Wood screw	ø 6.8 mm x 50 mm
	Machine screw	M6
No load speed (min <sup>-1</sup> )	High (2)	0 - 1,400
	Low (1)	0 - 400
Blows per minute (min <sup>-1</sup> )	High (2)	0 - 21,000
	Low (1)	0 - 6,000
Overall length	204 mm	
Net weight	1.7 kg	1.8 kg
Rated voltage	D.C. 14.4 V	D.C. 18 V

- Due to our continuing program of research and development, the specifications herein are subject to change without notice.
- Note: Specifications may differ from country to country.

### Intended use

The tool is intended for impact drilling in brick, concrete and stone as well as for drilling without impact in wood, metal, ceramic and plastic.

## SPECIFIC SAFETY RULES

**DO NOT let comfort or familiarity with product (gained from repeated use) replace strict adherence to hammer drill safety rules. If you use this power tool unsafely or incorrectly, you can suffer serious personal injury.**

1. **Wear ear protectors with impact drills.** Exposure to noise can cause hearing loss.
2. **Hold power tools by insulated gripping surfaces when performing an operation where the cutting tool may contact hidden wiring or its own cord.** Contact with a "live" wire will make exposed metal parts of the tool "live" and shock the operator.
3. **Always be sure you have a firm footing. Be sure no one is below when using the tool in high locations.**
4. **Hold the tool firmly with both hands.**
5. **Keep hands away from rotating parts.**
6. **Do not leave the tool running. Operate the tool only when hand-held.**
7. **Do not touch the bit or the workpiece immediately after operation; they may be extremely hot and could burn your skin.**

8. Some material contains chemicals which may be toxic. Take caution to prevent dust inhalation and skin contact. Follow material supplier safety data.

## SAVE THESE INSTRUCTIONS

### WARNING:

MISUSE or failure to follow the safety rules stated in this instruction manual may cause serious personal injury.

## IMPORTANT SAFETY INSTRUCTIONS FOR BATTERY CARTRIDGE

1. Before using battery cartridge, read all instructions and cautionary markings on (1) battery charger, (2) battery, and (3) product using battery.
2. Do not disassemble battery cartridge.
3. If operating time has become excessively shorter, stop operating immediately. It may result in a risk of overheating, possible burns and even an explosion.
4. If electrolyte gets into your eyes, rinse them out with clear water and seek medical attention right away. It may result in loss of your eyesight.
5. Do not short the battery cartridge:
  - (1) Do not touch the terminals with any conductive material.
  - (2) Avoid storing battery cartridge in a container with other metal objects such as nails, coins, etc.
  - (3) Do not expose battery cartridge to water or rain.

A battery short can cause a large current flow, overheating, possible burns and even a breakdown.

6. Do not store the tool and battery cartridge in locations where the temperature may reach or exceed 50°C (122°F).
7. Do not incinerate the battery cartridge even if it is severely damaged or is completely worn out. The battery cartridge can explode in a fire.
8. Be careful not to drop or strike battery.

## SAVE THESE INSTRUCTIONS

### Tips for maintaining maximum battery life

1. Charge the battery cartridge before completely discharged. Always stop tool operation and charge the battery cartridge when you notice less tool power.
2. Never recharge a fully charged battery cartridge. Overcharging shortens the battery service life.
3. Charge the battery cartridge with room temperature at 10°C - 40°C (50°F - 104°F). Let a hot battery cartridge cool down before charging it.

## FUNCTIONAL DESCRIPTION

### CAUTION:

- Always be sure that the tool is switched off and the battery cartridge is removed before adjusting or checking function on the tool.

### Installing or removing battery cartridge (Fig. 1)

- Always switch off the tool before insertion or removal of the battery cartridge.
- To remove the battery cartridge, withdraw it from the tool while sliding the button on the side of the cartridge.
- To insert the battery cartridge, align the tongue on the battery cartridge with the groove in the housing and slip it into place. Always insert it all the way until it locks in place with a little click. If you can see the red part on the upper side of the button, it is not locked completely. Insert it fully until the red part cannot be seen. If not, it may accidentally fall out of the tool, causing injury to you or someone around you.
- Do not use force when inserting the battery cartridge. If the cartridge does not slide in easily, it is not being inserted correctly.

### Switch action (Fig. 2)

#### CAUTION:

- Before inserting the battery cartridge into the tool, always check to see that the switch trigger actuates properly and returns to the "OFF" position when released.

To start the tool, simply pull the switch trigger. Tool speed is increased by increasing pressure on the switch trigger. Release the switch trigger to stop.

### Lighting up the front lamp (Fig. 3)

#### CAUTION:

- Do not look in the light or see the source of light directly.

Pull the switch trigger to light up the lamp. The lamp keeps on lighting while the switch trigger is being pulled. The lamp goes out 10 -15 seconds after releasing the trigger.

#### NOTE:

- Use a dry cloth to wipe the dirt off the lens of lamp. Be careful not to scratch the lens of lamp, or it may lower the illumination.

### Reversing switch action (Fig. 4)

This tool has a reversing switch to change the direction of rotation. Depress the reversing switch lever from the A side for clockwise rotation or from the B side for counter-clockwise rotation.

When the reversing switch lever is in the neutral position, the switch trigger cannot be pulled.

**CAUTION:**

- Always check the direction of rotation before operation.
- Use the reversing switch only after the tool comes to a complete stop. Changing the direction of rotation before the tool stops may damage the tool.
- When not operating the tool, always set the reversing switch lever to the neutral position.

**Speed change (Fig. 5)**


- To change the speed, first switch off the tool and then slide the speed change lever to the “2” side for high speed or “1” side for low speed. Be sure that the speed change lever is set to the correct position before operation. Use the right speed for your job.


**CAUTION:**


- Always set the speed change lever fully to the correct position. If you operate the tool with the speed change lever positioned halfway between the “1” side and “2” side, the tool may be damaged.
- Do not use the speed change lever while the tool is running. The tool may be damaged.

**Selecting the action mode (Fig. 6)**

This tool employs an action mode changing ring. Select one of the three modes suitable for your work needs by using this ring.

For rotation only, turn the ring so that the arrow on the tool body points toward the  mark on the ring.

For rotation with hammering, turn the ring so that the arrow points toward the  mark on the ring.

For rotation with clutch, turn the ring so that the arrow points toward the  mark on the ring.

**CAUTION:**

- Always set the ring correctly to your desired mode mark. If you operate the tool with the ring positioned halfway between the mode marks, the tool may be damaged.

**Adjusting the fastening torque (Fig. 7)**

The fastening torque can be adjusted in 16 steps by turning the adjusting ring so that its graduations are aligned with the arrow on the tool body. The fastening torque is minimum when the number 1 is aligned with the arrow, and maximum when the number 16 is aligned with the arrow.

Before actual operation, drive a trial screw into your material or a piece of duplicate material to determine which torque level is required for a particular application.

**ASSEMBLY****CAUTION:**

- Always be sure that the tool is switched off and the battery cartridge is removed before carrying out any work on the tool.

**Installing or removing driver bit or drill bit (Fig. 8)**

Turn the sleeve counterclockwise to open the chuck jaws. Place the bit in the chuck as far as it will go. Turn the sleeve clockwise to tighten the chuck.

To remove the bit, turn the sleeve counterclockwise.


**Hook (Fig. 9)**

The hook is convenient for temporarily hanging the tool. This can be installed on either side of the tool.

To install the hook, insert it into a groove in the tool housing on either side and then secure it with a screw. To remove, loosen the screw and then take it out.

**OPERATION****Hammer drilling operation****CAUTION:**

- There is a tremendous and sudden twisting force exerted on the tool/bit at the time of hole breakthrough, when the hole becomes clogged with chips and particles, or when striking reinforcing rods embedded in the concrete.

First, turn the action mode changing ring so that the arrow on the tool body points to the  marking. The adjusting ring can be aligned in any torque levels for this operation.

Be sure to use a tungsten-carbide tipped bit.

Position the bit at the desired location for the hole, then pull the switch trigger.


Do not force the tool. Light pressure gives best results. Keep the tool in position and prevent it from slipping away from the hole.

Do not apply more pressure when the hole becomes clogged with chips or particles. Instead, run the tool at an idle, then remove the bit partially from the hole. By repeating this several times, the hole will be cleaned out and normal drilling may be resumed.

**Blow-out bulb (optional accessory) (Fig. 10)**

After drilling the hole, use the blow-out bulb to clean the dust out of the hole.

**Screwdriving operation (Fig. 11)**

First, turn the action mode changing ring so that the arrow on the tool body points to the  marking. Adjust the adjusting ring to the proper torque level for your work. Then proceed as follows.

Place the point of the driver bit in the screw head and apply pressure to the tool. Start the tool slowly and then increase the speed gradually. Release the switch trigger as soon as the clutch cuts in.

**CAUTION:**


- Make sure that the driver bit is inserted straight in the screw head, or the screw and/or bit may be damaged.

**NOTE:**

- When driving wood screws, predrill pilot holes to make driving easier and to prevent splitting of the workpiece. See the chart.

Nominal diameter of wood screw (mm)	Recommended size of pilot hole (mm)
3.1	2.0 - 2.2
3.5	2.2 - 2.5
3.8	2.5 - 2.8
4.5	2.9 - 3.2
4.8	3.1 - 3.4
5.1	3.3 - 3.6
5.5	3.7 - 3.9
5.8	4.0 - 4.2
6.1	4.2 - 4.4

**Drilling operation**

First, turn the adjusting ring so that the pointer points to the  marking. Then proceed as follows.

**CAUTION:**

- Pressing excessively on the tool will not speed up the drilling. In fact, this excessive pressure will only serve to damage the tip of your bit, decrease the tool performance and shorten the service life of the tool.
- There is a tremendous force exerted on the tool/bit at the time of hole break through. Hold the tool firmly and exert care when the bit begins to break through the workpiece.
- A stuck bit can be removed simply by setting the reversing switch to reverse rotation in order to back out. However, the tool may back out abruptly if you do not hold it firmly.
- Always secure small workpieces in a vise or similar hold-down device.
- If the tool is operated continuously until the battery cartridge has discharged, allow the tool to rest for 15 minutes before proceeding with a fresh battery.

**Drilling in wood**

When drilling in wood, the best results are obtained with wood drills equipped with a guide screw. The guide screw makes drilling easier by pulling the bit into the workpiece.

**Drilling in metal**

To prevent the bit from slipping when starting a hole, make an indentation with a center-punch and hammer at the point to be drilled. Place the point of the bit in the indentation and start drilling.

Use a cutting lubricant when drilling metals. The exceptions are iron and brass which should be drilled dry.

**MAINTENANCE****CAUTION:**

- Always be sure that the tool is switched off and the battery cartridge is removed before attempting to perform inspection or maintenance.

**Replacing carbon brushes**

Replace when they wear down to the limit mark. Keep the carbon brushes clean and free to slip in the holders. Both carbon brushes should be replaced at the same time. Use only identical carbon brushes. (Fig. 12)

Use a screwdriver to remove two screws then remove the rear cover. (Fig. 13)

Raise the arm part of the spring and then place it in the recessed part of the housing with a slotted bit screwdriver of slender shaft or the like. (Fig. 14)

Use pliers to remove the carbon brush caps of the carbon brushes. Take out the worn carbon brushes, insert the new ones and replace the carbon brush caps in reverse. (Fig. 15)

Make sure that the carbon brush caps have fit into the holes in brush holders securely. (Fig. 16)

Reinstall the rear cover and tighten two screws securely.

To maintain product SAFETY and RELIABILITY, repairs, any other maintenance or adjustment should be performed by Makita Authorized Service Centers, always using Makita replacement parts.

**ACCESSORIES****CAUTION:**

- These accessories or attachments are recommended for use with your Makita tool specified in this manual. The use of any other accessories or attachments might present a risk of injury to persons. Only use accessory or attachment for its stated purpose.

If you need any assistance for more details regarding these accessories, ask your local Makita service center.

- Drill bits
- Tungsten-carbide tipped hammer bit
- Phillips bit
- Slotted bit
- Socket bit
- Blow-out bulb
- Safety goggles
- Various type of Makita genuine batteries and chargers
- Hook
- Rubber pad assembly
- Wool bonnet
- Foam polishing pad

## Descriptif

- |                                    |                                |                        |
|------------------------------------|--------------------------------|------------------------|
| 1. Batterie                        | 9. Bague de changement de mode | 17. Repère d'usure     |
| 2. Bouton                          | 10. Flèche                     | 18. Couvercle arrière  |
| 3. Partie rouge                    | 11. Graduations                | 19. Vis                |
| 4. Gâchette                        | 12. Manchon                    | 20. Ressort            |
| 5. Lampe                           | 13. Vis                        | 21. Bras               |
| 6. Levier de l'inverseur           | 14. Crochet                    | 22. Partie encastrée   |
| 7. Levier de changement de vitesse | 15. Rainure                    | 23. Bouchon de charbon |
| 8. Bague de réglage                | 16. Poire soufflante           | 24. Orifice            |

## SPÉCIFICATIONS

Modèle		BHP440	BHP450
Capacités	Béton	13 mm	
	Acier	13 mm	
	Bois	27 mm	
	Vis à bois	ø 6,8 mm x 50 mm	
	Vis de mécanique	M6	
Vitesse à vide (min <sup>-1</sup> )	Élevée (2)	0 - 1400	
	Basse (1)	0 - 400	
Frappes par minute (min <sup>-1</sup> )	Élevée (2)	0 - 21 000	
	Basse (1)	0 - 6000	
Longueur totale		204 mm	
Poids net		1,7 kg	1,8 kg
Tension nominale		CC 14,4 V	CC 18 V

- Étant donné l'évolution constante de notre programme de recherche et de développement, les spécifications contenues dans ce manuel sont sujettes à modification sans préavis.
- Note : Les spécifications peuvent varier suivant les pays.

### Utilisations

L'outil est conçu pour le perçage avec chocs dans la brique, le béton et la pierre, ainsi que pour le perçage sans chocs dans le bois, le métal, la céramique et le plastique

## CONSIGNES DE SÉCURITÉ SPÉCIFIQUES

**NE vous laissez PAS tromper (au fil d'une utilisation répétée) par un sentiment d'aisance et de familiarité avec le produit, en négligeant le respect rigoureux des consignes de sécurité qui accompagnent la perceuse à percussion. Si vous n'utilisez pas cet outil électrique de façon sûre ou adéquate, vous courez un risque de blessure grave.**

- 1. Portez des protections d'oreilles lorsque vous utilisez les perceuses à percussion.** L'exposition au bruit peut entraîner la surdité.
- 2. Saisissez les outils électriques par leurs surfaces de poigne isolées lorsque vous effectuez une opération au cours de laquelle l'outil tranchant peut entrer en contact avec des fils cachés ou avec le cordon de l'outil.** Le contact avec un fil sous tension mettra les parties métalliques exposées de l'outil sous tension, causant ainsi un choc électrique chez l'utilisateur.
- 3. Assurez-vous toujours d'une bonne position d'équilibre. Assurez-vous que personne ne se trouve dessous lorsque vous utilisez l'outil en position élevée.**
- 4. Tenez l'outil fermement à deux mains.**



5. Gardez les mains éloignées des pièces en rotation.
6. N'abandonnez pas l'outil alors qu'il tourne. Ne faites fonctionner l'outil qu'une fois que vous l'avez bien en main.
7. Ne touchez ni le foret ni la pièce immédiatement après la coupe. Ils risquent d'être extrêmement chauds et de vous brûler la peau.
8. Certains matériaux contiennent des produits chimiques qui peuvent être toxiques. Prenez les précautions nécessaires pour ne pas inhaler les poussières qu'ils dégagent et pour éviter tout contact avec la peau. Conformez-vous aux consignes de sécurité du fabricant du matériau.

## CONSERVEZ CES INSTRUCTIONS

### AVERTISSEMENT :

LA MAUVAISE UTILISATION de l'outil ou l'ignorance des consignes de sécurité du présent manuel d'instructions peuvent entraîner une grave blessure.

## IMPORTANTES CONSIGNES DE SÉCURITÉ POUR LA BATTERIE

1. Avant d'utiliser la batterie, veuillez lire toutes les instructions et tous les avertissements inscrits sur (1) le chargeur, (2) la batterie et (3) l'appareil alimenté par la batterie.
2. Ne pas démonter la batterie.
3. Cessez immédiatement l'utilisation si le temps de fonctionnement devient excessivement court. Il y a risque de surchauffe, de brûlures, voire d'explosion.
4. Si l'électrolyte pénètre dans vos yeux, rincez-les à l'eau claire et consultez immédiatement un médecin. Il y a risque de perte de la vue.
5. Ne pas court-circuiter la batterie :
  - (1) Ne toucher les bornes avec aucun matériau conducteur.
  - (2) Éviter de ranger la batterie dans un contenant où se trouvent d'autres objets métalliques tels que clous, pièces de monnaie, etc.
  - (3) Ne pas exposer la batterie à l'eau ou à la pluie. Un court-circuit de la batterie pourrait provoquer un fort courant, une surchauffe, parfois des brûlures et même une panne.
6. Ne rangez pas l'outil ou la batterie dans des endroits où la température risque d'atteindre ou de dépasser 50°C (122°F).
7. Ne jetez pas la batterie au feu même si elle est sérieusement endommagée ou complètement épuisée. La batterie peut exploser au contact du feu.
8. Prenez garde d'échapper ou de heurter la batterie.

## CONSERVEZ CES INSTRUCTIONS

### Conseils pour assurer la durée de vie optimale de la batterie

1. Rechargez la batterie avant quelle ne soit complètement épuisée. Arrêtez toujours l'outil et rechargez la batterie quand vous constatez que la puissance de l'outil diminue.
2. Ne rechargez jamais une batterie complètement chargée. La surcharge réduit la durée de service de la batterie.
3. Chargez la batterie alors que la température de la pièce se trouve entre 10°C et 40°C (50°F et 104°F). Avant de charger une batterie chaude, laissez-la refroidir.

## DESCRIPTION DU FONCTIONNEMENT

### ATTENTION :

- Assurez-vous toujours que l'outil est hors tension et que sa batterie est retirée avant d'ajuster l'outil ou de vérifier son fonctionnement.

### Installation et retrait de la batterie (Fig. 1)

- Mettez toujours l'outil hors tension avant d'insérer ou de retirer la batterie.
- Pour retirer la batterie, sortez-la de l'outil tout en faisant glisser le bouton sur le côté de la batterie.
- Pour insérer la batterie, alignez sa languette sur l'entaille qui se trouve à l'intérieur du carter, puis glissez la batterie pour la mettre en place. Insérez-la toujours bien à fond, jusqu'à ce qu'elle se verrouille en émettant un léger clic. Si vous pouvez voir la partie rouge sur la face supérieure du bouton, la batterie n'est pas parfaitement verrouillée. Insérez-la à fond, jusqu'à ce que la partie rouge ne soit plus visible. Sinon, la batterie risque de tomber accidentellement de l'outil, en vous blessant ou en blessant une personne se trouvant près de vous.
- N'appliquez pas une force excessive lors de l'insertion de la batterie. Si la batterie ne glisse pas aisément, c'est qu'elle n'est pas insérée correctement.

### Interrupteur (Fig. 2)

#### ATTENTION :

- Avant d'insérer la batterie dans l'outil, vérifiez toujours que la gâchette fonctionne bien et revient en position d'arrêt lorsque libérée.

Pour mettre l'outil en marche, appuyez simplement sur la gâchette. La vitesse de l'outil augmente à mesure que l'on accroît la pression exercée sur la gâchette. Pour l'arrêter, libérez la gâchette.

### Allumage de la lampe avant (Fig. 3)

#### ATTENTION :

- Ne regardez pas directement la lumière ou la source de lumière.

Appuyez sur la gâchette pour allumer la lampe. La lampe demeure allumée tant que la pression sur la gâchette est maintenue. La lampe s'éteint 10 à 15 secondes après la libération de la gâchette.

#### NOTE :

- Utilisez un chiffon sec pour essuyer les saletés qui recouvrent la lentille de la lampe. Prenez garde de rayer la lentille de la lampe, sinon sa capacité d'éclairage sera affectée.

### Marche arrière (Fig. 4)

L'outil possède un inverseur qui permet de changer le sens de rotation. Appuyez sur le levier de l'inverseur par le côté A pour une rotation dans le sens des aiguilles d'une montre, ou par le côté B pour une rotation en sens inverse.

La pression sur la gâchette n'est pas possible lorsque le levier de l'inverseur se trouve en position neutre.

#### ATTENTION :

- Vérifiez toujours le sens de rotation avant de mettre l'outil en marche.
- N'actionnez l'inverseur qu'une fois l'outil complètement arrêté. Si vous changez le sens de rotation de l'outil avant l'arrêt de l'outil, vous risquez de l'endommager.
- Lorsque vous n'utilisez pas l'outil, placez toujours le levier de l'inverseur en position neutre.

### Changement de vitesse (Fig. 5)


- Pour changer de vitesse, commencez par éteindre l'outil, puis déplacez le levier de changement de vitesse sur le côté "2" pour faire marcher l'outil à grande vitesse, ou sur le côté "1" pour le faire marcher à vitesse réduite. Vérifiez que le levier de changement de vitesse est réglé sur la bonne position avant le travail. Utilisez la vitesse qui convient pour le travail à effectuer.


#### ATTENTION :


- Placez toujours parfaitement le levier de changement de vitesse sur la position correcte. Si vous faites fonctionner l'outil avec le levier de changement de vitesse situé à mi-course entre le côté "1" et le côté "2", il risque d'être endommagé.
- N'actionnez pas le levier de changement de vitesse pendant que l'outil fonctionne. Vous pourriez endommager l'outil.

### Sélection du mode de fonctionnement (Fig. 6)

Cet outil est doté d'une bague de changement de mode. Utilisez cette bague pour sélectionner, parmi les trois modes disponibles, celui qui convient au travail à exécuter.

Pour la rotation uniquement, tournez la bague de sorte que la flèche du corps de l'outil pointe vers l'indication  de la bague.

Pour la rotation avec chocs, tournez la bague de sorte que la flèche pointe vers l'indication  de la bague.

Pour la rotation avec engrenage, tournez la bague de sorte que la flèche pointe vers l'indication  de la bague.

#### ATTENTION :

- Placez toujours la bague avec précision sur l'indication du mode désiré. Si vous utilisez l'outil alors que la bague se trouve à mi-course entre deux indications de mode, l'outil risque de subir des dommages.

### Réglage du couple de serrage (Fig. 7)

Le couple de serrage peut être ajusté sur l'une ou l'autre de 16 positions en tournant la bague de réglage de sorte que ses graduations s'alignent sur la flèche du corps de l'outil. Le couple de serrage est minimal lorsque le numéro 1 est aligné sur la flèche, et maximal lorsque le numéro 16 est aligné sur la flèche.

Avant de commencer véritablement votre travail, enfoncez une vis d'essai dans le matériau ou dans une pièce similaire afin d'identifier le couple de serrage requis pour une utilisation donnée.

## ASSEMBLAGE

#### ATTENTION :

- Assurez-vous toujours que l'outil est hors tension et que la batterie est retirée avant d'effectuer toute intervention sur l'outil.

### Pour installer ou retirer l'embout ou le foret (Fig. 8)

Tournez le manchon dans le sens inverse des aiguilles d'une montre pour ouvrir les mâchoires du mandrin. Insérez l'embout/le foret à fond dans le mandrin. Tournez le manchon dans le sens des aiguilles d'une montre pour serrer le mandrin.

Pour retirer l'embout/le foret, tournez le manchon dans le sens inverse des aiguilles d'une montre.

### Crochet (Fig. 9)

L'outil est équipé d'un crochet pratique qui permet de le suspendre temporairement. Il s'installe d'un côté comme de l'autre de l'outil.


Pour installer le crochet, insérez-le dans une rainure du carter de l'outil d'un côté ou de l'autre puis serrez-le avec une vis. Pour le retirer, desserrez la vis et enlevez-le.

## UTILISATION

### Perçage à percussion

#### ATTENTION :

- Une force de torsion énorme et soudaine s'exerce sur l'outil et le foret lors du perçage du trou, lorsque ce dernier est bouché par des copeaux et particules ou lorsque le foret frappe contre les armatures d'une structure en béton armé

Tournez d'abord la bague de changement de mode de sorte que la flèche du corps de l'outil pointe vers l'indication . Pour cette opération, la bague de réglage peut être alignée sur n'importe quel niveau de couple. Vous devez utiliser un foret à pointe de carbure de tungstène.

Placez le foret au point où vous désirez percer le trou, puis appuyez sur la gâchette.


Ne forcez pas l'outil. Vous obtiendrez de meilleurs résultats avec une légère pression. Gardez l'outil dans cette position et évitez qu'il ne glisse à l'extérieur du trou.

N'appliquez pas plus de pression lorsque le trou se bouche de copeaux ou particules. Faites plutôt tourner l'outil au ralenti, puis retirez partiellement le foret du trou. Vous pourrez poursuivre le perçage de façon normale après avoir répété quelques fois cette opération.

## Poire soufflante (accessoire en option) (Fig. 10)

Une fois le trou percé, utilisez la poire soufflante pour retirer la poussière du trou.

## Vissage (Fig. 11)

Tournez d'abord la bague de changement de mode de sorte que la flèche du corps de l'outil pointe vers l'indication . Ajustez la bague de réglage sur le niveau de couple qui convient au travail à effectuer. Procédez ensuite comme suit.

Placez la pointe de l'embout dans la tête de vis et appliquez une pression sur l'outil. Faites démarrer l'outil à vitesse réduite puis augmentez graduellement la vitesse. Relâchez la gâchette dès que l'embrayage s'active.

### ATTENTION :


- Assurez-vous que l'embout se trouve inséré bien droit dans la tête de vis, faute de quoi la vis et/ou l'embout risquent d'être endommagés.

### NOTE :

- Quand vous vissez des vis à bois, le perçage de trous-pilotes rendra votre tâche plus aisée et empêchera que le matériau ne se fende. Consultez le tableau.

Diamètre nominal des vis à bois (mm)	Taille recommandée pour les trous-pilotes (mm)
3,1	2,0 - 2,2
3,5	2,2 - 2,5
3,8	2,5 - 2,8
4,5	2,9 - 3,2
4,8	3,1 - 3,4
5,1	3,3 - 3,6
5,5	3,7 - 3,9
5,8	4,0 - 4,2
6,1	4,2 - 4,4

## Perçage

Tournez d'abord la bague de réglage de sorte que l'index pointe sur l'indication . Procédez ensuite comme suit.

### ATTENTION :

- Une pression excessive sur l'outil n'accélère pas le perçage. En fait, la pression excessive endommagera le bout du foret, causera une baisse des performances de l'outil et réduira sa durée de service.
- Une force énorme s'exerce sur l'outil et le foret lorsque ce dernier émerge sur la face opposée. Tenez l'outil

fermement et faites bien attention lorsque le foret commence à sortir de la face opposée de la pièce.

- Un foret coincé peut être retiré en réglant simplement l'inverseur sur la rotation inverse pour faire marche arrière. L'outil peut toutefois faire brusquement marche arrière si vous ne le tenez pas fermement.
- Immobilisez toujours les petites pièces à travailler dans un étau ou un dispositif de retenue similaire.
- Si l'outil a fonctionné de façon continue jusqu'à ce que la batterie soit épuisée, laissez-le reposer pendant 15 minutes avant de recommencer avec une batterie fraîche.

### Perçage du bois

Pour percer dans du bois, vous obtiendrez les meilleurs résultats avec un foret à bois doté d'une vis de guidage. La vis de guidage facilite le perçage en entraînant le foret dans la pièce.

### Perçage du métal

Pour que le foret ne glisse pas quand vous commencez à percer le trou, faites une entaille à l'aide d'un pointeau et d'un marteau. Placez la pointe du foret dans l'entaille et commencez à percer.

Lorsque vous percez du métal, utilisez un lubrifiant de coupe. Seuls le fer et le laiton font exception et doivent être percés à sec.

## ENTRETIEN

### ATTENTION :

- Assurez-vous toujours que l'outil est hors tension et que la batterie est retirée avant d'y effectuer tout travail d'inspection ou d'entretien.

## Remplacement des charbons

Remplacez-les lorsqu'ils atteignent le repère d'usure. Gardez les charbons propres et assurez-vous qu'ils glissent librement dans les porte-charbons. Les deux charbons doivent être remplacés simultanément. Utilisez uniquement des charbons identiques. (Fig. 12)

Retirez les deux vis à l'aide d'un tournevis puis enlevez le couvercle arrière. (Fig. 13)

Soulevez le bras du ressort puis placez-le dans la partie encastrée du carter avec un tournevis à tête fendue et tige mince ou un outil similaire. (Fig. 14)

Utilisez une paire de pinces pour retirer les bouchons des charbons. Enlevez les charbons usés, insérez les neufs et remettez en place les bouchons des charbons. (Fig. 15)

Assurez-vous que les bouchons des charbons se sont correctement insérés dans les orifices des porte-charbons. (Fig. 16)

Remettez en place le couvercle arrière et serrez les deux vis fermement.

Pour assurer la SÉCURITÉ et la FIABILITÉ du produit, toute réparation et tout travail d'entretien ou de réglage doivent être effectués par un Centre de service après-vente agréé Makita, avec des pièces de rechange Makita.

# ACCESSOIRES

## ATTENTION :

- Ces accessoires ou pièces complémentaires sont recommandés pour l'utilisation avec l'outil Makita spécifié dans ce manuel. L'utilisation de tout autre accessoire ou pièce complémentaire peut comporter un risque de blessure. Utilisez uniquement l'accessoire ou la pièce complémentaire dans le but spécifié.

Pour obtenir plus de détails sur ces accessoires, contactez le Centre de service après-vente local Makita.

- Forets
- Foret perforateur à pointe de carbure de tungstène
- Embout cruciforme
- Embout fendu
- Embout à douille
- Poire soufflante
- Lunettes de sécurité
- Les divers types de batteries et chargeurs Makita authentiques.
- Crochet
- Ensemble de coussinet en caoutchouc
- Capuchon de laine
- Tampon à polir en mousse

# DEUTSCH

## Erklärung der Gesamtdarstellung

- |   |  |                         |
|---|--|-------------------------|
| 1. Akkublock                              | 9. Ring zum Wechsel der Aktionsbetriebsart | 17. Grenzmarkierung     |
| 2. Taste                                  | 10. Pfeil                                  | 18. Hintere Abdeckung   |
| 3. Roter Bereich                          | 11. Einteilungen                           | 19. Schrauben           |
| 4. Auslöseschaltung                       | 12. Kranz                                  | 20. Feder               |
| 5. Lampe                                  | 13. Schraube                               | 21. Arm                 |
| 6. Umschalthebel                          | 14. Haken                                  | 22. Abgestufter Bereich |
| 7. Hebel zur Änderung der Geschwindigkeit | 15. Rille                                  | 23. Bürstenhalterkappe  |
| 8. Justierungsring                        | 16. Ausblasvorrichtung                     | 24. Loch                |

## TECHNISCHE ANGABEN

Modell		BHP440	BHP450
Kapazität	Beton	13 mm	
	Stahl	13 mm	
	Holz	27 mm	
	Holzschraube	ø 6,8 mm x 50 mm	
	Maschinenschraube	M6	
Leerlaufgeschwindigkeit (min <sup>-1</sup> )	Hoch (2)	0 - 1.400	
	Niedrig (1)	0 - 400	
Schläge pro Minute (min <sup>-1</sup> )	Hoch (2)	0 - 21.000	
	Niedrig (1)	0 - 6.000	
Gesamtlänge		204 mm	
Nettogewicht		1,7 kg	1,8 kg
Nennspannung		Gleichspannung 14,4 V	Gleichspannung 18 V

- Aufgrund unserer fortschreitenden Forschungen und Entwicklungen sind Änderungen an den hier wiedergegebenen Angaben ohne Vorankündigung vorbehalten.
- Hinweis: Die Angaben können sich je nach Land unterscheiden.

### Art der Nutzung

Das Werkzeug wurde für das Schlagbohren in Ziegel, Beton und Stein sowie für schlagloses Bohren in Holz, Metall, Keramik und Plastik entwickelt.

## BESONDERE SICHERHEITSHINWEISE

Lassen Sie sich **NIE** durch Bequemlichkeit oder (aus fortwährendem Gebrauch gewonnener) Vertrautheit mit dem Gerät dazu verleiten, die Sicherheitsregeln für die Schlagbohrmaschine zu missachten. Wenn dieses Elektrowerkzeug unsicher oder nicht ordnungsgemäß verwendet wird, kann es zu schweren Personenschäden kommen.

1. **Tragen Sie beim Gebrauch von Schlagbohrern einen Gehörschutz.** Lärm ausgesetzt zu sein, kann zu Hörverlust führen.
2. **Halten Sie Elektrowerkzeuge an den isolierten Griffflächen, wenn Sie unter Bedingungen arbeiten, bei denen das Schneidwerkzeug versteckte Verkablung oder das eigene Kabel berühren kann.** Der Kontakt mit einem Strom führenden Kabel leitet diesen an die metallenen Teile des Werkzeugs weiter und verursacht einen Stromschlag beim Bediener.
3. **Achten Sie jederzeit auf einen festen Stand. Achten Sie darauf, dass sich niemand unter Ihnen befindet, wenn Sie das Werkzeug an erhöhten Orten verwenden.**

4. Halten Sie das Werkzeug mit beiden Händen fest.
5. Halten Sie Ihre Hände von den beweglichen Teilen fern.
6. Lassen Sie das Werkzeug nicht laufen. Das Werkzeug darf nur dann in Betrieb sein, wenn es festgehalten wird.
7. Berühren Sie kurz nach dem Betrieb nicht den Einsatz oder das Werkstück. Diese können extrem heiß sein und zu Verbrennungen führen.
8. Einige Materialien enthalten Chemikalien, die giftig sein können. Vermeiden Sie das Einatmen von Staub und den Kontakt mit der Haut. Befolgen Sie die Sicherheitshinweise des Materialherstellers.

## BEWAHREN SIE DIESE ANWEISUNGEN AUF

### WARNUNG:

MISSBRAUCH oder Missachtung der in diesem Handbuch enthaltenen Sicherheitshinweise können zu schweren Personenschäden führen.

## WICHTIGE SICHERHEITSANWEISUNGEN FÜR AKKUBLOCK

1. Lesen Sie vor der Verwendung des Akkublocks alle Anweisungen und Sicherheitshinweise für (1) das Akkuladegerät, (2) den Akku und (3) das Produkt, für das der Akku verwendet wird.
2. Der Akkublock darf nicht zerlegt werden.
3. Falls die Betriebsdauer erheblich kürzer wird, beenden Sie den Betrieb umgehend. Andernfalls besteht die Gefahr einer Überhitzung sowie das Risiko möglicher Verbrennungen und sogar einer Explosion.
4. Wenn Elektrolyt in Ihre Augen gerät, waschen Sie diese mit klarem Wasser aus, und suchen Sie sofort einen Arzt auf. Andernfalls können Sie Ihre Sehfähigkeit verlieren.
5. Vermeiden Sie einen Kurzschluss des Akkublocks:
  - (1) Die Kontakte dürfen nicht mit leitendem Material in Berührung kommen.
  - (2) Der Akkublock darf nicht in einem Behälter aufbewahrt werden, in dem sich andere metallischen Gegenstände wie beispielsweise Nägel, Münzen usw. befinden.
  - (3) Der Akkublock darf weder Feuchtigkeit noch Regen ausgesetzt werden.

Ein Kurzschluss des Akkus kann zu hohem Kriechstrom, Überhitzung, möglichen Verbrennungen und sogar zu einer Zerstörung des Geräts führen.

6. Werkzeug und Akkublock dürfen nicht an Orten aufbewahrt werden, an denen die Temperatur 50°C (122°F) oder höher erreichen kann.
7. Selbst wenn der Akkublock schwer beschädigt oder völlig verbraucht ist, darf er nicht angezündet

werden. Der Akkublock kann in den Flammen explodieren.

8. Lassen Sie den Akku nicht fallen, und vermeiden Sie Schläge gegen den Akku.

## BEWAHREN SIE DIESE ANWEISUNGEN AUF

### Tipps für den Erhalt der maximalen Akkublocknutzungsdauer

1. Laden Sie den Akkublock auf, bevor er ganz entladen ist. Beenden Sie stets den Betrieb des Werkzeugs, und laden Sie den Akkublock auf, sobald Sie eine verringerte Werkzeuggesteuerung bemerken.
2. Ein voll aufgeladener Akkublock darf niemals erneut geladen werden. Durch Überladungen wird die Lebensdauer des Akkus verkürzt.
3. Laden Sie den Akkublock bei einer Zimmertemperatur von 10°C - 40°C (50°F - 104°F) auf. Lassen Sie einen heißen Akkublock vor dem Aufladen abkühlen.

## FUNKTIONSBESCHREIBUNG

### ACHTUNG:

- Schalten Sie das Werkzeug stets aus und entfernen Sie den Akkublock, bevor Sie Einstellungen oder eine Funktionsprüfung des Werkzeugs vornehmen.

### Montage und Demontage des Akkublocks (Abb. 1)

- Schalten Sie das Werkzeug stets aus, bevor Sie den Akkublock einsetzen oder entfernen.
- Zur Entfernung des Akkublocks müssen Sie diesen aus dem Werkzeug herausziehen, während Sie die Taste an der Seite des Blocks schieben.
- Zum Einsetzen des Akkublocks müssen Sie die Zunge des Akkublocks an der Rille im Gehäuse ausrichten und in die gewünschte Position schieben. Setzen Sie den Block immer ganz ein, bis er mit einem Klick einrastet. Wenn Sie den roten Bereich oben auf der Taste sehen können, ist der Block nicht ganz eingerastet. Setzen Sie ihn ganz ein, bis der rote Bereich nicht mehr zu sehen ist. Andernfalls kann der Block versehentlich aus dem Werkzeug fallen und Sie oder Personen in Ihrem Umfeld verletzen.
- Wenden Sie beim Einsetzen des Akkublocks keine Gewalt an. Wenn der Block nicht leicht hineingleitet, wird er nicht richtig eingesetzt.

### Bedienung des Schalters (Abb. 2)

#### ACHTUNG:

- Achten Sie vor dem Einsetzen des Akkublocks in das Werkzeug darauf, dass sich der Auslöseschalter korrekt bedienen lässt und beim Loslassen auf die Position „OFF“ zurückkehrt.

Betätigen Sie zum Starten des Werkzeugs einfach den Auslöseschalter. Die Geschwindigkeit des Werkzeugs wird durch erhöhten Druck auf den Auslöseschalter

gesteigert. Lassen Sie die Auslöseschaltung los, um das Werkzeug auszuschalten.

## Einschalten der Frontlampe (Abb. 3)

### ACHTUNG:

- Schauen Sie nicht direkt in das Licht oder in die Lichtquelle.

Ziehen Sie zum Einschalten der Lampe die Auslöseschaltung. Die Lampe leuchtet so lange, wie die Auslöseschaltung gezogen ist. Nach dem Loslassen des Auslösers erlischt die Lampe nach 10 - 15 Sekunden.

### HINWEIS:

- Wischen Sie Schmutz auf der Lampenlinse mit einem trockenen Tuch ab. Achten Sie darauf, die Lampenlinse nicht zu verkratzen, da dies die Beleuchtungsstärke mindern kann.

## Bedienung des Umschalters (Abb. 4)

Dieses Werkzeug verfügt über einen Umschalter, mit dem die Drehrichtung geändert werden kann. Für eine Drehbewegung im Uhrzeigersinn muss der Umschalthebel von der Seite A nach unten gedrückt werden, und für eine Drehbewegung gegen den Uhrzeigersinn von der Seite B.

Wenn sich der Umschalthebel in der neutralen Position befindet, kann die Auslöseschaltung nicht gezogen werden.

### ACHTUNG:

- Überprüfen Sie vor jedem Betrieb immer die Drehrichtung.
- Der Umschalter darf nur betätigt werden, wenn das Werkzeug ganz angehalten wurde. Wenn Sie die Drehrichtung ändern, solange das Werkzeug noch läuft, kann es beschädigt werden.
- Ist das Werkzeug nicht in Gebrauch, muss der Umschalthebel immer auf die neutrale Position gestellt werden.

## Änderung der Geschwindigkeit (Abb. 5)

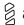
- Schalten Sie zum Ändern der Geschwindigkeit zunächst das Werkzeug aus, und schieben Sie dann den Hebel zur Änderung der Geschwindigkeit auf „2“ (hohe Geschwindigkeit) oder „1“ (niedrige Geschwindigkeit). Überprüfen Sie vor dem Betrieb des Werkzeugs, ob sich der Hebel zur Änderung der Geschwindigkeit in der richtigen Position befindet. Verwenden Sie die für Ihre Arbeit geeignete Geschwindigkeit.

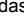
### ACHTUNG:

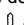
- Stellen Sie den Hebel zur Änderung der Geschwindigkeit immer ganz in die richtige Position. Wenn Sie das Werkzeug betreiben und sich dieser Hebel zwischen der Einstellung „1“ und „2“ befindet, kann das Werkzeug beschädigt werden.
- Der Hebel zur Änderung der Geschwindigkeit darf nicht betätigt werden, solange das Werkzeug läuft. Andernfalls kann das Werkzeug beschädigt werden.

## Auswahl der Aktionsbetriebsart (Abb. 6)

Dieses Werkzeug verfügt über einen Ring zum Wechsel der Aktionsbetriebsart. Mit Hilfe dieses Rings können Sie die Betriebsart auswählen, die sich für Ihre Arbeitsanforderungen am besten eignet. Es stehen drei Betriebsarten zur Auswahl.

Für eine reine Drehbewegung müssen Sie den Ring so drehen, dass der Pfeil auf dem Werkzeugkörper auf die Markierung  auf dem Ring zeigt.

Für eine Drehbewegung mit Schlag müssen Sie den Ring so drehen, dass der Pfeil auf die Markierung  auf dem Ring zeigt.

Für eine Drehbewegung mit Drehmomentkupplung müssen Sie den Ring so drehen, dass der Pfeil auf die Markierung  auf dem Ring zeigt.

### ACHTUNG:

- Stellen Sie den Ring immer richtig auf die gewünschte Betriebsartmarkierung. Wenn Sie das Werkzeug betreiben und sich der Ring zwischen den einzelnen Betriebsartmarkierungen befindet, kann das Werkzeug beschädigt werden.

## Einstellen des Anzugsdrehmoments (Abb. 7)

Das Anzugsdrehmoment kann in 16 Stufen eingestellt werden, indem der Justierungsring so gedreht wird, dass seine Einteilungsschritte am Pfeil auf dem Werkzeugkörper ausgerichtet sind. Das Anzugsdrehmoment ist minimal eingestellt, wenn die Zahl 1 am Pfeil ausgerichtet ist, und maximal, wenn die Zahl 16 am Pfeil ausgerichtet ist.

Schrauben Sie vor dem eigentlichen Betrieb eine Probeschraube in Ihr Material bzw. in ein Materialduplikat, um zu ermitteln, welche Drehmomentstufe für eine bestimmte Anwendung erforderlich ist.

## MONTAGE

### ACHTUNG:

- Schalten Sie das Werkzeug stets aus und entfernen Sie den Akkublock, bevor Sie Arbeiten am Werkzeug ausführen.

## Einsetzen oder Entfernen des Dreh- oder Bohreinsatzes (Abb. 8)

Drehen Sie den Kranz gegen den Uhrzeigersinn, um die Spannfutterbacken zu öffnen. Schieben Sie den Einsatz so weit wie möglich in das Spannfutter. Drehen Sie den Kranz im Uhrzeigersinn, um das Spannfutter anzuziehen. Wenn Sie den Einsatz entfernen möchten, müssen Sie den Kranz gegen den Uhrzeigersinn drehen.

## Haken (Abb. 9)

Der Haken ist nützlich, wenn Sie das Werkzeug vorübergehend aufhängen möchten. Er kann an jeder Seite des Werkzeugs befestigt werden.

Setzen Sie den Haken zur Montage in eine Rille am Werkzeuggehäuse (die Seite ist beliebig), und befestigen Sie diesen mit einer Schraube. Zur Entfernung müssen


Sie nur die Schraube lockern und den Haken herausnehmen.

## BETRIEB

### Schlagbohrbetrieb

#### ACHTUNG:

- Beim Lochdurchschlag, wenn das Loch durch Holzspäne und -partikel verstopft ist oder wenn das Werkzeug auf Verstärkungsstangen im Beton trifft, wirken enorme und abrupte Drehkräfte auf das Werkzeug bzw. den Einsatz.

Drehen Sie zunächst den Ring zum Wechsel der Aktionsbetriebsart so, dass der Pfeil auf dem Werkzeugkörper auf die Markierung  zeigt. Für diesen Vorgang kann der Justierungsring an jeder beliebigen Drehmomentstufe ausgerichtet sein.

Achten Sie darauf, dass Sie einen Einsatz mit einer Hartmetallspitze verwenden.

Setzen Sie den Einsatz auf die gewünschte Position des Lochs, und ziehen Sie dann den Auslöseschalter.


Verwenden Sie das Werkzeug nicht mit Gewalt. Wenn Sie nur leichten Druck ausüben, erzielen Sie die besten Ergebnisse. Halten Sie das Werkzeug in Position und achten Sie darauf, dass es nicht vom Loch abrutscht.

Verstärken Sie den Druck nicht, wenn das Loch durch Holzspäne oder -partikel verstopft ist. Führen Sie stattdessen das Werkzeug im Leerlauf aus, und entfernen Sie dann den Einsatz teilweise aus dem Loch. Wenn Sie diesen Vorgang mehrmals wiederholen, wird das Loch gesäubert, und Sie können die normale Bohrung fortsetzen.

### Ausblasvorrichtung (optionales Zubehör) (Abb. 10)

Wenn Sie das Loch gebohrt haben, entfernen Sie mit Hilfe der Ausblasvorrichtung den Staub aus dem Loch.

### Schraubendreherbetrieb (Abb. 11)

Drehen Sie zunächst den Ring zum Wechsel der Aktionsbetriebsart so, dass der Pfeil auf dem Werkzeugkörper auf die Markierung  zeigt. Stellen Sie den Justierungsring auf die für Ihre Arbeit geeignete Drehmomentstufe. Gehen Sie anschließend wie folgt vor.

Setzen Sie die Spitze des Dreheinsatzes in den Schraubenkopf, und üben Sie Druck auf das Werkzeug aus. Starten Sie das Werkzeug langsam, und erhöhen Sie nach und nach die Geschwindigkeit. Lassen Sie die Auslöseschaltung los, sobald die Kupplung greift.

#### ACHTUNG:


- Vergewissern Sie sich, dass der Dreheinsatz gerade im Schraubenkopf sitzt. Andernfalls kann die Schraube und/oder der Einsatz beschädigt werden.

#### HINWEIS:

- Bohren Sie beim Drehen von Holzschrauben Löcher für die Schrauben vor, damit das Drehen vereinfacht wird und das Werkstück nicht splittert. Siehe Tabelle.

Nenn Durchmesser der Holzschraube (mm)	Empfohlene Größe des vorgebohrten Lochs (mm)
3,1	2,0 – 2,2
3,5	2,2 – 2,5
3,8	2,5 – 2,8
4,5	2,9 – 3,2
4,8	3,1 – 3,4
5,1	3,3 – 3,6
5,5	3,7 – 3,9
5,8	4,0 – 4,2
6,1	4,2 – 4,4

### Bohrbetrieb

Drehen Sie zunächst den Justierungsring so, dass der Zeiger auf die  zeigt. Gehen Sie anschließend wie folgt vor.

#### ACHTUNG:

- Der Bohrvorgang kann durch übermäßigen Druck auf das Werkzeug nicht beschleunigt werden. Dieser übermäßige Druck beschädigt im Gegenteil die Spitze Ihres Einsatzes, vermindert die Leistung des Werkzeugs und verkürzt die Lebensdauer des Werkzeugs.
- Beim Lochdurchschlag wirken enorme Kräfte auf das Werkzeug/den Einsatz. Halten Sie das Werkzeug fest, und seien Sie vorsichtig, wenn der Einsatz das Werkstück durchbricht.
- Ein festsitzender Einsatz kann einfach wieder herausgezogen werden, indem die Drehrichtung mit dem Umschalter geändert wird. Es kann jedoch zu einem abrupten Rückschlag des Werkzeugs kommen, wenn Sie es nicht ganz fest halten.
- Befestigen Sie kleine Werkstücke immer in einem Schraubstock oder einer ähnlichen Haltevorrichtung.
- Wenn das Werkzeug bis zur vollständigen Entladung des Akkus betrieben wurde, lassen Sie es 15 Minuten liegen, bevor Sie mit einem neuen Akku fortfahren.

### Bohren in Holz

Beim Bohren in Holz werden die besten Ergebnisse mit Holzbohrern erzielt, die mit einer Leitspindel ausgestattet sind. Die Leitspindel vereinfacht den Bohrprozess, indem sie den Einsatz in das Werkstück zieht.

### Bohren in Metall

Damit der Bohrer beim Beginn einer Lochbohrung nicht abrutscht, machen Sie mit einem Körner eine Einkerbung, und hämmern Sie auf den Punkt, an dem gebohrt werden soll. Setzen Sie die Spitze des Einsatzes in die Einkerbung, und starten Sie den Bohrvorgang.

Verwenden Sie beim Bohren in Metall einen Schneideschmierstoff. Ausgenommen hiervon sind Eisen und Messing; diese Metalle sollten trocken gebohrt werden.



# WARTUNG

## ACHTUNG:

- Schalten Sie das Werkzeug stets aus und entfernen Sie den Akkublock, bevor Sie Inspektionen oder Wartungsarbeiten am Werkzeug vornehmen.

## Austausch der Kohlebürsten

Ersetzen Sie diese, wenn sie bis zur Grenzmarkierung abgenutzt sind. Halten Sie die Kohlebürsten sauber und sorgen Sie dafür, dass sie locker in den Halterungen liegen. Beide Kohlebürsten sollten gleichzeitig ersetzt werden. Verwenden Sie nur identische Kohlebürsten.

### (Abb. 12)

Entfernen Sie die beiden Schrauben mit einem Schraubendreher, und entfernen Sie dann die hintere Abdeckung. **(Abb. 13)**

Heben Sie den Federarm, und setzen Sie diesen dann mit der schlanken Spitze eines Schlitzschraubendrehers oder einem ähnlichen Gegenstand in den abgestuften Bereich des Gehäuses. **(Abb. 14)**

Entfernen Sie die Bürstenhalterkappen der Kohlebürsten mit einer Zange. Entnehmen Sie die verbrauchten Kohlebürsten, legen Sie die neuen ein und bringen Sie die Bürstenhalterkappen in umgekehrter Reihenfolge wieder an. **(Abb. 15)**

Vergewissern Sie sich, dass die Bürstenhalterkappen fest in den Öffnungen der Bürstenhalter sitzen. **(Abb. 16)**

Setzen Sie die hintere Abdeckung wieder ein, und ziehen Sie die beiden Schrauben fest an.

Um die SICHERHEIT und ZUVERLÄSSIGKEIT des Produkts zu gewährleisten, sollten Reparaturen, Wartungsarbeiten und Einstellungen nur durch von Makita autorisierte Service Center durchgeführt und immer Makita-Ersatzteile verwendet werden.

# ZUBEHÖR

## ACHTUNG:

- Die folgenden Zubehör- und Zusatzteile werden für das in diesem Handbuch beschriebene Makita-Werkzeug empfohlen. Die Verwendung anderer Zubehör- und Zusatzteile kann zu Personenschäden führen. Verwenden Sie Zubehör- und Zusatzteile nur für den vorgesehenen Zweck.

Informationen zu diesem Zubehör erhalten Sie bei einem Makita-Service Center in Ihrer Nähe.

- Bohreinsätze
- Hammereinsatz mit Hartmetallspitze
- Phillips-Einsatz
- Schlitzeinsatz
- Steckereinsatz
- Ausblasvorrichtung
- Sicherheitsgläser
- Verschiedene Arten von Makita-Originalakkus und Ladegeräten
- Haken
- Gummipolster-Set
- Wollhaube
- Polierschwamm

Spiegazione della vista generale

- |                                       |  |   |
|---------------------------------------|--|---|
| 1. Batteria                           | 9. Anello per la modifica della modalità di azione | 17. Indicatore di limite                |
| 2. Pulsante                           | 10. Freccia  | 18. Coperchio posteriore                |
| 3. Area rossa                         | 11. Regolazioni                                    | 19. Viti                                |
| 4. Interruttore                       | 12. Manicotto                                      | 20. Molla                               |
| 5. Lampada                            | 13. Vite   | 21. Braccio                             |
| 6. Leva di inversione della rotazione | 14. Gancio   | 22. Parte incavata                      |
| 7. Leva di regolazione della velocità | 15. Scanalatura                                    | 23. Coperchio delle spazzole di carbone |
| 8. Anello di regolazione              | 16. Soffietto a peretta                            | 24. Foro                                |

**CARATTERISTICHE TECNICHE**

Modello		BHP440	BHP450
Capacità	Cemento	13 mm	
	Metallo	13 mm	
	Legno	27 mm	
	Vite per legno	ø 6,8 mm x 50 mm	
	Vite per metallo	M6	
Velocità senza carico (min <sup>-1</sup> )	Elevata (2)	0 - 1.400	
	Bassa (1)	0 - 400	
Colpi al minuto (min <sup>-1</sup> )	Elevata (2)	0 - 21.000	
	Bassa (1)	0 - 6.000	
Lunghezza totale		204 mm	
Peso netto		1,7 kg	1,8 kg
Tensione nominale		14,4 V CC	18 V CC

- Le caratteristiche tecniche riportate di seguito sono soggette a modifiche senza preavviso a causa del nostro programma continuo di ricerca e sviluppo.
- Nota: le caratteristiche tecniche possono differire da paese a paese.

**Uso previsto**

Questo utensile è progettato per la foratura a percussione di mattoni, cemento e pietra, nonché per la foratura di legno, metallo, ceramica e plastica.

**REGOLE SPECIFICHE DI SICUREZZA**

**NON lasciare che la familiarità acquisita con il prodotto in seguito all'uso ripetuto provochi l'inosservanza delle regole di sicurezza dell'utensile. Se questo utensile viene utilizzato in modo improprio o errato, è possibile subire lesioni personali gravi.**

- 1. Con i trapani a percussione è necessario indossare una protezione acustica.**L'esposizione al rumore può causare la perdita della capacità uditiva.
- 2. Se vengono eseguite operazioni in cui l'utensile di taglio può toccare fili nascosti o il cavo di alimentazione dell'utensile, impugnare l'utensile utilizzando i punti di presa isolati.** Il contatto con un filo percorso da corrente farà sì che le parti metalliche esposte dell'utensile si trovino anch'esse sotto tensione provocando scosse elettriche all'operatore.
- 3. Accertarsi sempre di avere un equilibrio stabile. Controllare che nessuno si trovi sotto all'utensile quando lo si utilizza in posizioni elevate.**
- 4. Tenere saldamente l'utensile con entrambe le mani.**
- 5. Mantenere le mani lontano dalle parti rotanti.**

6. Non lasciare l'utensile acceso. Azionare l'utensile solo quando viene tenuto con le mani.
7. Non toccare la punta o il pezzo in lavorazione subito dopo aver utilizzato l'utensile in quanto possono raggiungere temperature elevate e provocare ustioni.
8. Alcuni materiali contengono prodotti chimici che possono essere tossici. Fare attenzione ad impedire l'inalazione della polvere e il contatto con la pelle. Attenersi alle istruzioni per la sicurezza del fornitore dei materiali.

## CONSERVARE QUESTE ISTRUZIONI.

### AVVERTENZA

L'USO IMPROPRIO o la mancata osservanza delle norme di sicurezza contenute in questo manuale può provocare lesioni personali gravi.

## ISTRUZIONI DI SICUREZZA IMPORTANTI PER LA BATTERIA

1. Prima di utilizzare la batteria, leggere tutte le istruzioni e gli avvisi di sicurezza relativi a (1) caricabatteria, (2) batteria e (3) prodotto utilizzato con la batteria.
2. Non disassemblare la batteria.
3. Se il tempo di funzionamento è diventato eccessivamente breve, non utilizzare l'utensile. Potrebbero verificarsi surriscaldamenti, ustioni o esplosioni.
4. In caso di contatto dell'elettrolita della batteria con gli occhi, sciacquare con acqua fresca e rivolgersi immediatamente a un medico. Potrebbero verificarsi danni permanenti alla funzionalità visiva.
5. Non cortocircuitare la batteria.
  - (1) Non toccare i terminali della batteria con materiale in grado di condurre elettricità.
  - (2) Evitare di conservare le batterie a contatto con oggetti metallici quali chiodi, monete e così via.
  - (3) Non esporre le batterie all'acqua o alla pioggia. Un cortocircuito può provocare un elevato flusso di corrente, surriscaldamento, ustioni o rotture.
6. Non conservare l'utensile e la batteria a una temperatura superiore a 50 °C (122 °F).
7. Evitare di smaltire le batterie danneggiate o esaurite bruciandole. Se esposte al fuoco, le batterie possono esplodere.
8. Evitare di far cadere o di colpire la batteria.

## CONSERVARE QUESTE ISTRUZIONI.

### Suggerimenti il prolungamento della durata della batteria

1. Caricare le batterie prima di scaricarle completamente. Se si nota una diminuzione di potenza dell'utensile, interrompere il lavoro e caricare la batteria.
2. Non ricaricare una batteria già completamente carica. In caso contrario, la durata operativa della batteria potrebbe ridursi.
3. Caricare la batteria in ambienti con temperatura compresa tra 10 °C e 40 °C (50 °F - 104 °F). Prima di caricare una batteria surriscaldata, lasciarla raffreddare.

## DESCRIZIONE FUNZIONALE

### ATTENZIONE

- Prima di regolare o controllare le funzioni dell'utensile, verificare sempre di averlo spento e di aver rimosso la batteria.

### Installazione o rimozione della batteria (Fig. 1)

- Prima di inserire o rimuovere la batteria, spegnere sempre l'utensile.
- Per rimuovere la batteria, estrarla dall'utensile facendo scorrere il pulsante sul lato della batteria.
- Per inserire la batteria, allineare la linguetta sulla batteria con la scanalatura dell'alloggiamento e farla scorrere fino a raggiungere la posizione corretta. Inserire sempre la batteria fino a quando si blocca in posizione con uno scatto. Se l'area rossa del lato superiore del pulsante è ancora visibile, la batteria non è completamente inserita. Inserirla fino a quando l'area rossa non è più visibile. In caso contrario la batteria può fuoriuscire accidentalmente dalla macchina e provocare lesioni all'operatore o a eventuali osservatori.
- Non applicare una forza eccessiva per inserire la batteria. Se la batteria non scorre agevolmente, la manovra di inserimento non è corretta.

### Azionamento dell'interruttore (Fig. 2)

#### ATTENZIONE

- Prima di inserire la batteria nell'utensile, controllare se l'interruttore funziona correttamente e ritorna alla posizione "SPENTO" una volta rilasciato.

Per avviare l'utensile è sufficiente premere l'interruttore.

Per aumentare la velocità dell'utensile, aumentare la pressione sull'interruttore. Per spegnerlo rilasciare l'interruttore di accensione.

### Accensione delle lampada frontale (Fig. 3)

#### ATTENZIONE

- Non osservare la luce o la fonte luminosa direttamente. Per accendere la lampada, azionare l'interruttore. La lampada rimane accesa fino a quando si tiene premuto

l'interruttore. La lampada si spegne automaticamente 10-15 secondi dopo aver rilasciato l'interruttore.

#### NOTA

- Utilizzare un panno asciutto per pulire la lente della lampada. Fare attenzione a non graffiare la lente della lampada per evitare riduzioni dell'intensità luminosa.

### Azionamento della leva di inversione della rotazione (Fig. 4)

Questo utensile è dotato di una leva di inversione che consente di modificare la direzione di rotazione. Premere la leva di inversione dal lato A se si desidera una rotazione in senso orario, dal lato B se si desidera una rotazione in senso antiorario.

Quando la leva di inversione si trova nella posizione centrale è impossibile azionare l'interruttore.

#### ATTENZIONE

- Prima di azionare l'utensile, controllare sempre la direzione di rotazione impostata.
- Utilizzare la leva di inversione solo quando l'utensile è completamente fermo. Modificare la direzione di rotazione prima dell'arresto può danneggiare l'utensile.
- Se non si utilizza l'utensile, posizionare sempre la leva di inversione nella posizione centrale.

### Modifica della velocità (Fig. 5)


- Per modificare la velocità, spegnere l'utensile e far scorrere la leva di regolazione sulla posizione "2" se si desidera una velocità elevata o sulla posizione "1" se si desidera una velocità minore. Prima di azionare l'utensile, accertarsi di aver selezionato la velocità corretta. Utilizzare la velocità più adatta al lavoro da eseguire.


#### ATTENZIONE


- Posizionare accuratamente la leva di regolazione della velocità sulla posizione corretta. Se si aziona l'utensile mentre la leva di regolazione si trova in una posizione intermedia tra "1" e "2", l'utensile potrebbe essere danneggiato.
- Non utilizzare la leva di inversione mentre l'utensile è in funzione perché potrebbero verificarsi danni.

### Selezione della modalità operativa (Fig. 6)

Questo utensile dispone di un anello che consente di modificare la modalità operativa. Selezionare con l'anello la modalità operativa più appropriata per il lavoro da eseguire.

Per selezionare la foratura semplice, ruotare l'anello fino a quando la freccia sul corpo dell'utensile indica il simbolo .

Per selezionare la foratura con percussione, ruotare l'anello fino a quando la freccia sul corpo dell'utensile indica il simbolo .

Per selezionare la foratura con frizione, ruotare l'anello fino a quando la freccia sul corpo dell'utensile indica il simbolo .

#### ATTENZIONE

- Impostare sempre l'anello in corrispondenza della posizione desiderata. Se si aziona l'utensile mentre l'anello si trova in una posizione intermedia tra due modalità, l'utensile potrebbe essere danneggiato.

### Regolazione della coppia di serraggio (Fig. 7)

È possibile regolare la coppia di serraggio su 16 posizioni ruotando l'anello di regolazione fino ad allineare la posizione desiderata con la freccia presente sul corpo dell'utensile. La coppia di serraggio è minima quando la freccia si trova in corrispondenza del numero 1 e massima quando si trova in corrispondenza del numero 16.

Prima di iniziare il lavoro, avvitare una vite nel materiale da utilizzare o in un pezzo di materiale identico per individuare il livello di coppia più appropriato per la specifica esigenza.

### MONTAGGIO

#### ATTENZIONE

- Prima di eseguire qualsiasi operazione sull'utensile, verificare sempre di averlo spento e di aver rimosso la batteria.

### Installazione o rimozione della punta da trapano o da avvitatura (Fig. 8)

Ruotare il manicotto in senso antiorario per aprire le griffe del mandrino. Inserire completamente la punta nel mandrino. Ruotare il manicotto in senso orario per serrare il mandrino.

Per rimuovere la punta, ruotare il manicotto in senso antiorario.

### Gancio (Fig. 9)

Il gancio è utile per appendere temporaneamente l'utensile. Può essere installato su entrambi i lati dell'utensile.


Per installare il gancio, inserirlo in una delle scanalature presenti su ambo i lati dell'alloggiamento dell'utensile e fissarlo con una vite. Per rimuovere il gancio, allentare la vite ed estrarlo.

### FUNZIONAMENTO

#### Foratura con percussione

##### ATTENZIONE

- Quando la foratura è al termine, quando il foro è ostruito da frammenti e schegge o quando la punta colpisce i tondini di metallo incorporati nel cemento, la punta e lo strumento sono soggetti a una forza di torsione di notevole intensità.

Ruotare innanzitutto l'anello di modifica della modalità operativa in modo che la freccia sul corpo dell'utensile indichi il simbolo . Per questa modalità operativa l'anello può essere allineato su uno qualsiasi dei livelli di coppia.

Utilizzare sempre punte con estremità in carburo di tungsteno.

Collocare la punta nella posizione desiderata per il foro, quindi premere l'interruttore.


Non forzare l'utensile. Una pressione lieve produce i risultati migliori. Mantenere l'utensile in posizione e impedire che la punta fuoriesca dal foro.

Non aumentare la pressione quando il foro è ostruito da frammenti o schegge. Al contrario, azionare l'utensile alla velocità minima, quindi rimuovere parzialmente la punta dal foro. Ripetere l'operazione più volte fino a quando il foro risulta sgombro ed è possibile riprendere la foratura.

## Soffietto a peretta (accessorio opzionale) (Fig. 10)

Al termine della foratura, utilizzare il soffietto a peretta per ripulire il foro dalla polvere.

## Avvitatura (Fig. 11)

Ruotare innanzitutto l'anello di modifica della modalità operativa in modo che la freccia sul corpo dell'utensile indichi il simbolo . Impostare con l'anello di regolazione il livello di coppia appropriato per la specifica esigenza. Procedere come indicato di seguito.

Inserire l'estremità della punta nella testa della vite e applicare una pressione all'utensile. Avviare lentamente l'utensile e aumentare gradualmente la velocità. Appena la frizione entra in azione, rilasciare l'interruttore.

### ATTENZIONE


- Accertarsi di aver inserito la punta correttamente nella testa della vite. In caso contrario la punta o la vite potrebbero danneggiarsi.

### NOTA

- Quando si avvitano viti per legno, eseguire preforature per rendere più agevole il lavoro ed evitare fenditure nel pezzo in lavorazione. Vedere la tabella riportata di seguito.

Diametro nominale della vite per legno (mm)	Dimensione consigliata per la preforatura (mm)
3,1	2,0 - 2,2
3,5	2,2 - 2,5
3,8	2,5 - 2,8
4,5	2,9 - 3,2
4,8	3,1 - 3,4
5,1	3,3 - 3,6
5,5	3,7 - 3,9
5,8	4,0 - 4,2
6,1	4,2 - 4,4

## Foratura

Regolare innanzitutto l'anello in modo che l'indicatore si trovi in corrispondenza del simbolo . Procedere come indicato di seguito.

### ATTENZIONE

- Se si applica una pressione eccessiva sull'utensile non si accelera la foratura. Al contrario, una pressione

eccessiva può danneggiare l'estremità della punta, diminuire l'efficacia dell'utensile e abbreviarne la durata operativa.

- Quando la foratura è al termine, l'utensile e la punta sono soggetti a una forza molto intensa. Impugnare saldamente l'utensile e prestare particolare attenzione quando il foro è quasi completato.
- Per rimuovere una punta inceppata è sufficiente invertire il senso di rotazione dell'utensile ed azionarlo brevemente. Tuttavia, se non si impugna saldamente l'utensile, questo potrebbe arretrare improvvisamente.
- Fissare sempre i pezzi in lavorazione di piccole dimensioni utilizzando una morsa o un dispositivo simile.
- Se si utilizza continuamente l'utensile fino alla completa scarica della batteria, attendere 15 minuti prima di continuare a utilizzarlo con una nuova batteria.

### Foratura di legno

In questo caso, per ottenere i risultati migliori è consigliabile utilizzare punte da legno dotate di una vite di guida. Quest'ultima agevola la foratura perché guida la punta nel pezzo in lavorazione.

### Foratura di metallo

Per impedire lo slittamento della punta all'inizio della foratura, utilizzare un punzone per centri e un martello per creare una cavità nella posizione in cui eseguire il foro. Collocare l'estremità della punta nella cavità e iniziare la foratura.

Se si forano metalli, utilizzare un lubrificante per taglio. Ferro e ottone devono invece essere forati a secco.

## MANUTENZIONE

### ATTENZIONE

- Prima di effettuare controlli o operazioni di manutenzione, verificare sempre di aver spento l'utensile e di aver rimosso la batteria.

## Sostituzione delle spazzole di carbone

Sostituire le spazzole quando sono consumate fino al limite indicato. Mantenere le spazzole di carbone pulite e libere per farle slittare nei supporti. Entrambe le spazzole di carbone devono essere sostituite contemporaneamente. Utilizzare solo spazzole di carbone identiche. (Fig. 12)

Rimuovere le viti che fissano il coperchio posteriore con un cacciavite e asportare il coperchio. (Fig. 13)

Sollevarlo il braccio della molla e collocarlo nella parte incavata dell'alloggiamento utilizzando un cacciavite ad asta sottile con punta a taglio o uno strumento analogo. (Fig. 14)

Utilizzare le pinze per estrarre i coperchi delle spazzole di carbone. Estrarre le spazzole di carbone consumate, inserire le nuove spazzole e collocare nuovamente in posizione i coperchi. (Fig. 15)

Accertarsi di aver inserito correttamente i coperchi nei fori dei supporti delle spazzole. (Fig. 16)

Reinstallare il coperchio posteriore e fissare saldamente le due viti.

Per mantenere la SICUREZZA e l'AFFIDABILITÀ del prodotto, le riparazioni e qualsiasi altra operazione di manutenzione o regolazione devono essere eseguiti dai centri di assistenza autorizzati Makita utilizzando sempre parti di ricambio Makita.

## **ACCESSORI**

### **ATTENZIONE**

- Questi accessori sono suggeriti per l'uso con l'utensile Makita descritto in questo manuale. L'uso di qualsiasi altro accessorio può causare rischi di lesioni personali. Utilizzare gli accessori esclusivamente per l'uso dichiarato.

Per assistenza e ulteriori informazioni su tali accessori, rivolgersi al centro di assistenza locale Makita.

- Punta per foratura
- Punta con estremità in carburo di tungsteno per foratura a percussione
- Punta Phillips
- Punta a lama
- Punta a tubo
- Soffietto a peretta
- Occhiali di sicurezza
- Numerosi modelli di batterie e caricabatteria originali Makita
- Gancio
- Platorello in gomma
- Cuffia in lana
- Tampone per lucidatura

**Verklaring van het onderdelenoverzicht**

- |                        |                              |                         |
|------------------------|------------------------------|-------------------------|
| 1. Accu                | 9. Werkingsfunctie-keuzering | 17. Slijtgrensmarkering |
| 2. Knop                | 10. Pijlpunt                 | 18. Achterkap           |
| 3. Rode deel           | 11. Schaalverdeling          | 19. Schroeven           |
| 4. Aan/uit-schakelaar  | 12. Mof                      | 20. Veer                |
| 5. Lamp                | 13. Schroef                  | 21. Arm                 |
| 6. Omkeerschakelaar    | 14. Haak                     | 22. Verdiept gedeelte   |
| 7. Snelheidsinstelknop | 15. Groef                    | 23. Koolborstelkap      |
| 8. Instelring          | 16. Luchtblazer              | 24. Opening             |

**TECHNISCHE GEGEVENS**

Model		BHP440	BHP450
Capaciteiten	Beton	13 mm	
	Metaal	13 mm	
	Hout	27 mm	
	Hout Schroef	ø 6,8 mm x 50 mm	
	Machineschroef	M6	
Onbelaste snelheid (min <sup>-1</sup> )	Hoog (2)	0 - 1400	
	Laag (1)	0 - 400	
Aantal slagen (min <sup>-1</sup> )	Hoog (2)	0 - 21.000	
	Laag (1)	0 - 6000	
Totale lengte		204 mm	
Netto gewicht		1,7 kg	1,8 kg
Nominale spanning		14,4 V gelijkstroom	18 V gelijkstroom

- Als gevolg van ons doorlopende onderzoeks- en ontwikkelingsprogramma, zijn de technische gegevens van dit gereedschap onderhevig aan veranderingen zonder voorafgaande kennisgeving.
- Opmerking: De technische gegevens kunnen van land tot land verschillen.

**Gebruiksdoeleinden**

Het gereedschap is bedoeld voor hamerboren in baksteen, beton en steen, en tevens voor boren zonder slagwerking in hout, metaal, keramiek en kunststof.

**AANVULLENDE VEILIGHEIDSVOORSCHRIFTEN**

**Laat u NIET misleiden door een vals gevoel van comfort en bekendheid met het gereedschap (na veelvuldig gebruik) en neem alle veiligheidsvoorschriften van de slagschroevendraaier/boorhamer altijd strikt in acht. Bij onveilig of verkeerd gebruik van het elektrisch gereedschap, bestaat de kans op ernstig persoonlijk letsel.**

- 1. Draag gehoorbescherming tijdens het gebruik van een slagschroevendraaier/boorhamer.** Blootstelling aan harde geluiden kan leiden tot gehoorbeschadiging.
- 2. Houd elektrisch gereedschap vast aan het geïsoleerde oppervlak van de handgrepen wanneer u werkt op plaatsen waar het zaaggereedschap met verborgen bedrading of zijn eigen snoer in aanraking kan komen.** Door contact met onder spanning staande draden, zullen de niet-geïsoleerde metalen delen van het gereedschap onder spanning komen te staan zodat de gebruiker een elektrische schok kan krijgen.

3. Zorg er altijd voor dat u stevig staat. Zorg ervoor dat er niemand zich onder u bevindt wanneer u het gereedschap op een hoge plaats gebruikt.
4. Houd het gereedschap met beide handen stevig vast.
5. Houd uw handen uit de buurt van draaiende delen.
6. Laat het gereedschap niet ingeschakeld liggen. Bedien het gereedschap alleen wanneer u het vasthoudt.
7. Raak het bit en het werkstuk niet onmiddellijk na gebruik aan. Zij kunnen bijzonder heet zijn en brandwonden op uw huid veroorzaken.
8. Sommige materialen bevatten chemische stoffen die giftig kunnen zijn. Neem voorzorgsmaatregelen tegen het inademen van stof en contact met de huid. Volg de veiligheidsinstructies van de leverancier van het materiaal op.
7. **Werp de accu niet in een vuur, zelfs niet als deze al ernstig beschadigd of helemaal versleten is. De accu kan in een vuur exploderen.**
8. **Wees voorzichtig dat u de accu niet laat vallen of ergens tegenaan stoot.**

## BEWAAR DEZE VOORSCHRIFTEN

### Tips voor een lange levensduur van de accu

1. Laad de accu op voordat deze volledig leeg is. Wanneer u merkt dat het gereedschap minder vermogen heeft, stopt u met het gebruik ervan en laadt u eerst de accu op.
2. Laad nooit een volledig opgeladen accu op. Te lang opladen verkort de levensduur van de accu.
3. Laad de accu op bij een omgevingstemperatuur van 10 °C t/m 40 °C. Laat een warme accu eerst afkoelen voordat u deze oplaadt.

## BEWAAR DEZE VOORSCHRIFTEN

### WAARSCHUWING:

**VERKEERD GEBRUIK** of het niet volgen van de veiligheidsinstructies in deze gebruiksaanwijzing kan leiden tot ernstig persoonlijk letsel.

## BELANGRIJKE VEILIGHEIDSLINSTRUCTIES VOOR ACCU'S

1. Alvorens de accu in gebruik te nemen, leest u eerst alle instructies en waarschuwingsofschriften op (1) de acculader, (2) de accu en (3) het apparaat waarin de accu wordt aangebracht.
2. Haal de accu niet uit elkaar.
3. Als de gebruikstijd aanzienlijk korter is geworden, stopt u onmiddellijk met het gebruik. Anders kan dit leiden tot kans op oververhitting, mogelijke brandwonden en zelfs een explosie.
4. Als de elektrolyt in uw ogen komt, wast u deze uit met schoon water en raadpleegt u onmiddellijk een arts. Dit kan leiden tot verlies van gezichtsvermogen.
5. Sluit de accu niet kort:
  - (1) Raak de accupolen niet aan met enig geleidend materiaal.
  - (2) Bewaar de accu niet op een plaats waar deze in aanraking kan komen met andere metalen voorwerpen, zoals spijkers, munten, enz.
  - (3) Stel de accu niet bloot aan water of regen.
 Kortsluiting van de accu kan leiden tot een hoge stroomsterkte, oververhitting, mogelijke brandwonden en zelfs een defect.
6. Bewaar het gereedschap en de accu niet op plaatsen waar de temperatuur kan oplopen tot 50 °C of hoger.

## BESCHRIJVING VAN DE FUNCTIES

### LET OP:

- Controleer altijd of het gereedschap is uitgeschakeld en de accu is verwijderd alvorens de functies van het gereedschap te controleren of af te stellen.

### De accu aanbrengen en verwijderen (zie afb. 1)

- Schakel het gereedschap altijd uit voordat u de accu aanbrengt of verwijdert.
- Om de accu te verwijderen verschuift u de knop aan de zijkant van de accu en trekt u tegelijkertijd de accu uit het gereedschap.
- Om de accu aan te brengen lijnt u de lip op de accu uit met de groef in de behuizing en duwt u de accu op zijn plaats. Steek de accu zo ver mogelijk in het gereedschap tot u een klinkgeluid hoort. Als u het rode deel aan de bovenkant van de knop kunt zien, is de accu niet goed aangebracht. Steek de accu zo ver mogelijk erin tot het rode deel niet meer zichtbaar is. Als u dit niet doet, kan de accu per ongeluk uit het gereedschap vallen en u of anderen in uw omgeving verwonden.
- Oefen geen grote kracht uit bij het aanbrengen van de accu. Als de accu niet gemakkelijk in het gereedschap kan worden gestoken, wordt deze niet goed aangebracht.

### Aan/uit-schakelaar (zie afb. 2)

#### LET OP:

- Controleer altijd, voordat u de accu in het gereedschap steekt, of de aan/uit-schakelaar op de juiste manier schakelt en weer terugkeert naar de uit-stand nadat deze is losgelaten.

Om het gereedschap in te schakelen, knijpt u gewoon de aan/uit-schakelaar in. De draaisnelheid van het gereedschap neemt toe naarmate u meer druk uitoefent



op de aan/uit-schakelaar. Laat de aan/uit-schakelaar los om het gereedschap te stoppen

## De lamp op de voorkant inschakelen (zie afb. 3)

### LET OP:

- Kijk niet rechtstreeks in het licht of naar de bron van de lamp.

Knijp de aan/uit-schakelaar in om de lamp op de voorkant in te schakelen. De lamp blijft branden zolang u de aan/uit-schakelaar ingeknepen houdt. De lamp gaat 10 tot 15 seconden nadat u de aan/uit-schakelaar hebt losgelaten uit.

### OPMERKING:

- Gebruik een doek om het vuil van de lens van de lamp te vegen. Wees voorzichtig de lens van de lamp niet te bekrassen om de lichtopbrengst niet te verlagen.

## Werking van de omkeerschakelaar (zie afb. 4)

Dit gereedschap is uitgerust met een omkeerschakelaar waarmee u de draairichting kunt omkeren. Druk op de omkeerschakelaar vanaf kant A voor de draairichting rechtsom, of vanaf kant B voor de draairichting linksom.

Wanneer de omkeerschakelaar in de middenstand staat, kunt u de aan/uit-schakelaar niet inknippen.

### LET OP:

- Controleer altijd de draairichting alvorens het gereedschap te gebruiken.
- Gebruik de omkeerschakelaar alleen nadat het gereedschap volledig tot stilstand is gekomen. Als u de draairichting verandert voordat het gereedschap volledig stilstaat, kan het gereedschap worden beschadigd.
- Als u het gereedschap niet gebruikt, zet u de omkeerschakelaar altijd in de middenstand.

## De draaisnelheid veranderen (zie afb. 5)

- Om de draaisnelheid van het gereedschap te veranderen, schakelt u eerst het gereedschap uit en verschuift u daarna de snelheidsinstelknop naar stand "2" voor een hoge draaisnelheid, of naar stand "1" voor een lage draaisnelheid. Zorg ervoor dat de snelheidsinstelknop in de juiste stand staat alvorens het gereedschap te bedienen. Gebruik de juiste draaisnelheid voor uw klus.


### LET OP:


- Zet de snelheidsinstelknop altijd volledig in de gewenste stand. Als u het gereedschap bedient terwijl de snelheidsinstelknop halverwege de standen "1" en "2" staat, kan het gereedschap worden beschadigd.
- Bedien de snelheidsinstelknop niet terwijl het gereedschap draait. Het gereedschap kan hierdoor worden beschadigd.


## De werkingsfunctie kiezen (zie afb. 6)

Dit gereedschap is uitgerust met een werkingsfunctie-keuzering. Kies met deze keuzering uit de drie

beschikbare werkingsfuncties degene die het meest geschikt is voor uw klus.

Voor alleen ronddraaien, draait u de keuzering zodat de pijlpunt op het gereedschap op het symbool  op de ring staat.

Voor ronddraaien met slagwerking, draait u de keuzering zodat de pijlpunt op het gereedschap op het symbool  op de ring staat.

Voor ronddraaien met slipkoppeling, draait u de keuzering zodat de pijlpunt op het gereedschap op het symbool  op de ring staat.

### LET OP:

- Stel de keuzering altijd in op het symbool van de juiste stand voor uw klus. Als u het gereedschap bedient met de keuzering ingesteld tussen twee symbolen in, kan het gereedschap worden beschadigd.

## Het draaikoppel instellen (zie afb. 7)

Het draaikoppel kan in 16 stappen worden ingesteld door de instelring te draaien zodat de gewenste stand op de schaalverdeling is uitgelijnd met de pijlpunt op de behuizing van het gereedschap. Het draaikoppel is minimaal wanneer stand 1 is uitgelijnd met de pijlpunt, en maximaal wanneer het symbool is uitgelijnd met de pijlpunt.

Bepaal het juiste draaikoppelniveau door bij wijze van proef een schroef in het materiaal of een stuk gelijkwaardig materiaal te draaien, alvorens het gereedschap voor de daadwerkelijke klus te gebruiken.

## ONDERDELEN AANBRENGEN/ VERWIJDEREN

### LET OP:

- Controleer altijd of het gereedschap is uitgeschakeld en de accu is verwijderd alvorens enige werkzaamheden aan het gereedschap te verrichten.

## Het schroefbit of boorbit aanbrengen en verwijderen (zie afb. 8)

Draai de mof linksom om de klauwen in de spankop te openen. Steek het bit zo ver mogelijk in de spankop. Draai de mof rechtsom om de spankop te sluiten.

Om het bit te verwijderen, draait u de mof linksom.

## Haak (zie afb. 9)

De haak is handig om het gereedschap tijdelijk aan op te hangen. De haak kan aan beide kanten van het gereedschap worden bevestigd.


U bevestigt de haak door deze in een groef in de behuizing van het gereedschap te steken en vast te zetten met een schroef. Om de haak te verwijderen, draait u de schroef los en haalt u de haak van het gereedschap af.

# BEDIENING

## Gebruik als boorhamer

### LET OP:

- Op het moment dat het boorgat doorbreekt, het boorgat verstopt raakt met steentjes of gruis, of de boorkamer de bewapening in het beton raakt wordt een enorme kracht uitgeoefend op het gereedschap/bit.

Draai eerst de werksfunctie-keuzering zodat de pijlpunt op de behuizing van het gereedschap op het symbool  staat. De instelring kan bij deze werksfunctie worden ingesteld op ieder draaikoppelniveau.

Zorg ervoor dat u een bit met een hardmetalen punt gebruikt.

Plaats het bit op het punt waar u wilt boren en knijp de aan/uit-schakelaar in.


Duw niet te hard tegen het gereedschap. U verkrijgt het beste resultaat door licht te duwen. Houd het gereedschap op zijn plaats en voorkom dat het tijdens het boren wegglijdt.

Duw niet harder tegen het gereedschap wanneer het boorgat verstopt raakt met steentjes of gruis. Laat daarentegen het gereedschap langzaam draaien en haal het bit gedeeltelijk uit het boorgat. Door deze handeling meerder malen te herhalen, wordt het boorgat leeggehaald en kan het normaal boren worden hervat.

## Luchtblazer (los verkrijgbaar) (zie afb. 10)

Gebruik na het boren de luchtblazer om het stof uit het boorgat te blazen.

## Gebruik als schroevendraaier (zie afb. 11)

Draai eerst de werksfunctie-keuzering zodat de pijlpunt op de behuizing van het gereedschap op het symbool  staat. Stel de instelring in op het juiste draaikoppelniveau voor uw klus. Ga daarna als volgt te werk.

Plaats de punt van het schroefbit in de schroefkop en oefen druk uit op het gereedschap. Start het gereedschap op lage snelheid en voer vervolgens de snelheid geleidelijk op. Laat de aan/uit-schakelaar los zodra de koppeling begint te slippen.

### LET OP:


- Zorg ervoor dat het schroefbit recht op de schroefkop staat omdat anders de schroef en/of het bit kunnen worden beschadigd.

### OPMERKING:

- Bij het schroeven van hout Schroeven moet u de boorgaten voorboren om het schroeven te vergemakkelijken en te voorkomen dat het werkstuk splijt. Zie de tabel.

Nominale diameter van houtschroef (mm)	Aanbevolen diameter vorgeboord gat (mm)
3,1	2,0 - 2,2
3,5	2,2 - 2,5
3,8	2,5 - 2,8
4,5	2,9 - 3,2
4,8	3,1 - 3,4
5,1	3,3 - 3,6
5,5	3,7 - 3,9
5,8	4,0 - 4,2
6,1	4,2 - 4,4

## Gebruik als boor

Draai eerst de instelring zodat de pijlpunt op het symbool  staat. Ga daarna als volgt te werk.

### LET OP:

- Het boren zal niet sneller verlopen als u hard op het gereedschap drukt. In feite zal dergelijk duwen alleen maar leiden tot beschadiging van het bit, verlagen van de prestaties van het gereedschap, en verkorten van de levensduur van het gereedschap.
- Op het moment dat het boorgat doorbreekt wordt een enorme kracht uitgeoefend op het gereedschap/bit. Houd het gereedschap stevig vast en let goed op wanneer het bit door het werkstuk breekt.
- Een vastgelopen bit kan eenvoudigweg worden verwijderd door de omkeerschakelaar in de stand voor achteruitdraaien te zetten om het bit te verwijderen. Het gereedschap kan echter plotseling achteruit komen als u het niet stevig vasthoudt.
- Zet kleine werkstukken altijd vast in een bankschroef of soortgelijk bevestigingsmiddel.
- Als het gereedschap continu wordt bediend totdat de accu leeg is, laat u het gereedschap gedurende 15 minuten liggen alvorens verder te werken met een volle accu.

### Boren in hout

Bij het boren in hout verkrijgt u de beste resultaten met houtboren voorzien van een geleideschroef. De geleideschroef zorgt ervoor dat het boren gemakkelijker verloopt door het bit in het werkstuk te trekken.

### Boren in metaal

Om te voorkomen dat bij het beginnen van het boren het bit wegglijdt, maakt u een putje met een centerpons en hamer op het punt waar u wilt boren. Plaats de punt van het bit in het putje en begin te boren.

Gebruik bij het boren in metaal een snijolie als smeermiddel. De uitzonderingen hierop zijn ijzer en messing, die droog moeten worden geboord.

# ONDERHOUD

### LET OP:

- Zorg er altijd voor dat de machine is uitgeschakeld en de accu is verwijderd, voordat u een inspectie of onderhoud uitvoert.

## De koolborstels vervangen

Vervang deze wanneer ze tot aan de slijtgrensmarkering zijn afgesleten. Houd de koolborstels schoon en zorg ervoor dat ze vrij kunnen bewegen in de houders. Beide koolborstels dienen tegelijkertijd te worden vervangen. Gebruik alleen identieke koolborstels (**zie afb. 12**).

Verwijder met behulp van een schroevendraaier de twee schroeven en vervolgens de achterkap (**zie afb. 13**).

Til de arm van de veer op en plaats deze vervolgens in het verdiepte deel van de behuizing met behulp van een platkopschroevendraaier, een dunne steel, of iets dergelijks (**zie afb. 14**).

Verwijder de koolborstelkap van de koolborstels met behulp van een tang. Haal de versleten koolborstels eruit, plaats de nieuwe erin, en plaats de koolborstelkappen in omgekeerde volgorde terug (**zie afb. 15**).

Zorg ervoor dat iedere koolborstelkap goed in de opening in de borstelhouder valt (**zie afb. 16**).

Plaats de achterkap terug en draai de twee schroeven stevig aan.

Om de VEILIGHEID en BETROUWBAARHEID van het gereedschap te handhaven, dienen alle reparaties, onderhoud en afstellingen te worden uitgevoerd door een erkend Makita-servicecentrum, en altijd met gebruikmaking van originele Makita- vervangingsonderdelen.

## ACCESSOIRES

### LET OP:

- Deze accessoires of hulpstukken worden aanbevolen voor gebruik met het Makita-gereedschap dat in deze gebruiksaanwijzing wordt beschreven. Het gebruik van andere accessoires of hulpstukken kan gevaar voor persoonlijk letsel opleveren. Gebruik de accessoires of hulpstukken uitsluitend voor de aangegeven gebruiksdoeleinden.

Mocht u meer informatie willen hebben over deze accessoires, dan kunt u contact opnemen met uw plaatselijke Makita-servicecentrum.

- Boorbits
- Boorhamerbit met hardmetalen punt
- Kruiskopschroevendraaierbit
- Platkopschroevendraaierbit
- Dopsleutelbit
- Luchtblazer
- Veiligheidsbril
- Diverse types originele Makita-accu's en laders
- Haak
- Rubberen accessoire
- Wollen accessoire
- Schuimrubberen polijstaccessoire

## Explicación de los dibujos

- |   |   |                                    |
|---|---|------------------------------------|
| 1. Cartucho de la batería               | 9. Anilla para el cambio del modo de acción | 17. Marca de límite                |
| 2. Botón                                | 10. Flecha                                  | 18. Cubierta trasera               |
| 3. Parte roja                           | 11. Graduaciones                            | 19. Tornillos                      |
| 4. Interruptor disparador               | 12. Camisa                                  | 20. Muelle                         |
| 5. Lámpara                              | 13. Tornillo                                | 21. Brazo                          |
| 6. Palanca del interruptor de inversión | 14. Gancho                                  | 22. Parte cóncava                  |
| 7. Palanca de cambio de velocidad       | 15. Canal de guía                           | 23. Tapa de la escobilla de carbón |
| 8. Anilla de ajuste                     | 16. Bulbo de extracción                     | 24. Orificio                       |

## ESPECIFICACIONES

Modelo		BHP440	BHP450
Capacidades	Hormigón	13 mm	
	Acero	13 mm	
	Madera	27 mm	
	Tornillo para madera	ø 6,8 mm x 50 mm	
	Tornillo para máquinas	M6	
Velocidad en vacío (min <sup>-1</sup> )	Alta (2)	0 - 1.400	
	Baja (1)	0 - 400	
Golpes por minuto (min <sup>-1</sup> )	Alta (2)	0 - 21.000	
	Baja (1)	0 - 6.000	
Longitud total		204 mm	
Peso neto		1,7 kg	1,8 kg
Tensión nominal		CC de 14,4 V	CC de 18 V

- Debido a nuestro programa continuo de investigación y desarrollo, las especificaciones aquí descritas están sujetas a cambios sin previo aviso.
- Nota: las especificaciones pueden ser diferentes de un país a otro.

### Uso previsto

Esta herramienta está diseñada para la perforación mediante percusión en ladrillos, hormigón y piedras, así como para la perforación sin percusión en madera, metal, cerámica y plástico.

## NORMAS ESPECÍFICAS DE SEGURIDAD

**NO deje que la comodidad o la familiaridad con el producto (a base de utilizarlo repetidamente) sustituya la estricta observancia de las normas de seguridad para el martillo de perforación. Si utiliza esta herramienta de forma no segura o incorrecta, puede sufrir graves daños corporales.**

1. Durante la perforación con percusión, utilice protectores para los oídos. La exposición al ruido puede producir pérdida auditiva.
2. Sujete las herramientas eléctricas por las superficies de agarre aisladas al realizar una operación en que la herramienta de corte pueda entrar en contacto con cables ocultos o con su propio cable. Si entra en contacto con un cable con corriente, las piezas metálicas expuestas se cargarán también de corriente y el operario puede recibir una descarga.
3. Colóquese siempre en una posición bien equilibrada. Si utiliza la herramienta en una ubicación elevada, asegúrese de que nadie se encuentre debajo.

4. Sujete firmemente la herramienta con ambas manos.
5. Mantenga las manos alejadas de las piezas giratorias.
6. No deje la herramienta encendida. Póngala en marcha solamente cuando la tenga en las manos.
7. No toque la broca ni la pieza de trabajo inmediatamente después de la tarea; pueden estar extremadamente calientes y producir quemaduras en la piel.
8. Algunos materiales contienen sustancias químicas que pueden ser tóxicas. Procure evitar la inhalación de polvo y el contacto con la piel. Siga los datos de seguridad del proveedor del material.

## GUARDE ESTAS INSTRUCCIONES

### ADVERTENCIA:

El MAL USO o la no observancia de las normas de seguridad expuestas en este manual de instrucciones puede ocasionar graves daños corporales.

## INSTRUCCIONES DE SEGURIDAD IMPORTANTES RELACIONADAS CON EL CARTUCHO DE LA BATERÍA

1. Antes de utilizar el cartucho de la batería, lea todas las instrucciones y referencias de precaución que se encuentran en (1) el cargador de baterías, (2) la batería y (3) el producto que utiliza la batería.
2. No desmonte el cartucho de la batería.
3. Si el tiempo de funcionamiento es excesivamente corto, deje de utilizar la herramienta de inmediato. De lo contrario, existe el riesgo de sobrecalentamiento, quemaduras e incluso explosión.
4. Si se produce contacto ocular con electrolito, enjuáguese los ojos con agua limpia y acuda de urgencia al médico. Corre el riesgo de perder la visión.
5. No cortocircuite el cartucho de la batería:
  - (1) No toque los terminales con material conductor.
  - (2) Evite guardar el cartucho de la batería en un recipiente con otros objetos metálicos, como clavos, monedas, etc.
  - (3) No exponga el cartucho de la batería al agua o a la lluvia.

Un cortocircuito puede provocar un elevado flujo de corriente, sobrecalentamiento, quemaduras o incluso una avería.

6. No almacene la herramienta ni el cartucho de la batería en lugares donde la temperatura supere los 50 °C.
7. No quemé el cartucho de la batería aunque esté gravemente dañado o completamente gastado. El

cartucho de la batería puede explotar si entra en contacto con fuego.

8. Procure que la batería no sufra golpes ni caídas.

## GUARDE ESTAS INSTRUCCIONES

### Consejos para conseguir una mayor duración de la batería

1. Cargue la batería antes de que se descargue por completo. Deje de utilizar siempre la herramienta y cargue el cartucho de la batería cuando observe que tiene menos potencia.
2. No recargue nunca un cartucho de batería completamente cargado. La sobrecarga acorta la vida útil de la batería.
3. Cargue el cartucho de la batería a una temperatura ambiente que oscile entre 10 °C y 40 °C. Antes de cargar un cartucho de batería caliente, deje que se enfríe.

## DESCRIPCIÓN DEL FUNCIONAMIENTO

### PRECAUCIÓN:

- Asegúrese siempre de apagar la herramienta y extraer el cartucho de la batería antes de intentar realizar cualquier tipo de ajuste o comprobación en ella.

### Instalación o extracción del cartucho de la batería (Fig. 1)

- Apague siempre la herramienta antes de insertar o extraer el cartucho de la batería.
- Para extraer el cartucho de la batería, quítelo de la herramienta al mismo tiempo que desliza el botón situado en el lateral del cartucho.
- Para insertar el cartucho de la batería, alinee la lengüeta situada en el cartucho de la batería con la ranura del alojamiento e insértela. Insértela completamente hasta que quede firmemente sujeta y se bloquee con un clic. Si puede ver la parte roja de la zona superior del botón, significa que el cartucho no está completamente bloqueado. Insértelo completamente hasta que la parte roja quede oculta. De lo contrario, el cartucho puede desprenderse accidentalmente de la herramienta y causar lesiones al operario o a alguna persona que se encuentre cerca.
- No haga fuerza al insertar el cartucho de la batería. Si no se inserta suavemente, significa que no lo está instalando correctamente.

### Funcionamiento del interruptor (Fig. 2)

#### PRECAUCIÓN:

- Antes de insertar el cartucho de la batería en la herramienta, asegúrese siempre de que el interruptor disparador funcione como es debido y que vuelva a la posición "OFF" (apagado) al soltarlo.

Para poner en marcha la herramienta, simplemente accione el interruptor disparador. La velocidad de la herramienta aumenta al incrementar la presión sobre el

interruptor disparador. Suelte el interruptor disparador para detener la herramienta.

## Encendido de la luz frontal (Fig. 3)

### PRECAUCIÓN:

- No mire hacia la luz ni mire directamente la fuente de luz.

Tire del interruptor del disparador para encender la luz. La luz permanece encendida mientras se acciona el interruptor disparador. La luz se apaga 10 a 15 después de soltar el disparador.

### NOTA:

- Utilice un paño seco para limpiar la suciedad del cristal de la lámpara. Procure no rayar el cristal de la lámpara, puesto que puede disminuir el grado de iluminación.

## Funcionamiento del interruptor de inversión (Fig. 4)

Esta herramienta está provista de un interruptor de inversión para cambiar la dirección de giro. Presione la palanca del interruptor de inversión del lado A para obtener un giro a la derecha o del lado B para girar a la izquierda.

Cuando la palanca del interruptor de inversión está en la posición neutral, el interruptor disparador no se puede accionar.

### PRECAUCIÓN:

- Antes de trabajar, compruebe siempre la dirección del giro.
- Utilice el interruptor de inversión sólo cuando la herramienta se haya detenido por completo, ya que, de lo contrario, la herramienta podría averiarse.
- Cuando no utilice la herramienta, coloque siempre la palanca del interruptor de inversión en la posición neutral.

## Cambio de velocidad (Fig. 5)


- Para cambiar la velocidad, apague primero la herramienta y después deslice la palanca de cambio de velocidad hacia el lado "2" para seleccionar la velocidad rápida o hacia el lado "1" para seleccionar la velocidad lenta. Antes de trabajar, compruebe que la palanca de cambio de velocidad se encuentre en la posición pertinente. Seleccione la velocidad adecuada en función de la tarea que deba realizar.


### PRECAUCIÓN:


- Coloque siempre la palanca de cambio de velocidad completamente en la posición pertinente. Si utiliza la herramienta cuando la palanca de cambio de velocidad se encuentra a medio camino entre el lado "1" y el lado "2", la herramienta puede averiarse.
- No utilice la palanca de cambio de velocidad mientras la herramienta está en funcionamiento, ya que, de lo contrario, podría averiarse.

## Selección del modo de acción (Fig. 6)

Esta herramienta utiliza una anilla para cambiar el modo de acción. Con la ayuda de esta anilla, seleccione uno de los tres modos disponibles según sus necesidades.

Para girar solamente, mueva la anilla de manera que la flecha en el cuerpo de la herramienta apunte hacia la marca  situada en la anilla.

Para girar con percusión, mueva la anilla de modo que la flecha apunte hacia la marca  situada en la anilla.

Para girar con acoplamiento, mueva la anilla de modo que la flecha apunte hacia la marca  situada en la anilla.

### PRECAUCIÓN:

- Ajuste siempre la anilla correctamente en la marca del modo que desee. Si utiliza la herramienta con la anilla en una posición entre alguna de las marcas de modo, la herramienta podría averiarse.

## Ajuste del par de apriete (Fig. 7)

El par de apriete puede ajustarse en 16 pasos girando la anilla de ajuste de modo que sus graduaciones queden alineadas con la flecha del cuerpo de la herramienta. El par de apriete es mínimo cuando el número 1 está alineado con la flecha y máximo cuando el número 16 está alineado con la flecha.

Antes de realizar el trabajo propiamente dicho, realice un atornillamiento de prueba en el material o en una pieza que no deba utilizar del mismo material para determinar el nivel de apriete necesario para la tarea.

## MONTAJE

### PRECAUCIÓN:

- Asegúrese siempre de apagar la herramienta y extraer el cartucho de la batería antes de intentar realizar cualquier tipo de operación en la herramienta.

## Instalación o extracción de la punta del destornillador o de la broca (Fig. 8)

Gire la camisa a la izquierda para abrir las mordazas del mandril. Inserte completamente la broca o la punta del destornillador en el mandril. Gire la camisa a la derecha para apretar el mandril.

Para extraer la broca o la punta del destornillador, gire la camisa a la izquierda.

## Gancho (Fig. 9)

El gancho es útil para colgar la herramienta. Puede instalarse en cualquier lado de la herramienta.


Para instalar el gancho, insértelo en una de las ranuras situadas a ambos lados de la herramienta y, a continuación, fíjelo con un tornillo. Para extraerlo, afloje el tornillo y quítelo.

## MANEJO

### Función de perforación con percusión

#### PRECAUCIÓN:

- En determinadas situaciones, como, por ejemplo, al practicar un agujero, cuando el orificio se tapona con restos y partículas de materiales o cuando se golpean las varas de refuerzo dentro del hormigón, se ejerce una enorme y súbita fuerza de torsión sobre la herramienta y la broca.

En primer lugar, gire la anilla para el cambio de modo de acción de manera que la flecha en el cuerpo de la herramienta apunte hacia la marca . Para esta operación, la anilla de ajuste puede alinearse con cualquier nivel de apriete.

Asegúrese de utilizar una broca con punta de carburo de tungsteno.

Coloque la broca en la posición donde desee practicar el orificio y, a continuación, presione el interruptor disparador.


No fuerce la herramienta. Los mejores resultados se obtienen cuando se ejerce una presión suave. Mantenga la herramienta en la posición y evite que se desplace fuera del orificio.

No ejerza más presión cuando el orificio se obstruya con restos o partículas de materiales. Pare la herramienta y, a continuación, extraiga la broca parcialmente del orificio. Repita esta operación varias veces hasta que el orificio se limpie y pueda reanudar la perforación.

### Bulbo de extracción (accesorio opcional) (Fig. 10)

Tras perforar el orificio, utilice el bulbo de extracción para quitar el polvo y los restos de materiales del orificio.

### Función de atornillamiento (Fig. 11)

En primer lugar, gire la anilla para el cambio de modo de acción de manera que la flecha en el cuerpo de la herramienta apunte hacia la marca . Fije la anilla de ajuste en el par de apriete adecuado para la tarea que deba realizar. A continuación, siga estas indicaciones.

Coloque la punta del destornillador en la cabeza del tornillo y ejerza presión sobre la herramienta. Ponga en funcionamiento la herramienta lentamente y, a continuación, aumente la velocidad progresivamente. Suelte el interruptor disparador en cuanto el se active el acoplamiento.

#### PRECAUCIÓN:


- Asegúrese de insertar la punta del destornillador en la cabeza del tornillo de forma recta, ya que, de lo contrario, el tornillo y/o la punta podrían sufrir daños.

#### NOTA:

- Cuando utilice tornillos para madera, perforo primero unos orificios a modo de guía para facilitar el atornillamiento y evitar la fragmentación del material. Consulte la figura.

Diámetro nominal de los tornillos para madera (mm)	Tamaño recomendado del orificio guía (mm)
3,1	2,0 – 2,2
3,5	2,2 – 2,5
3,8	2,5 – 2,8
4,5	2,9 – 3,2
4,8	3,1 – 3,4
5,1	3,3 – 3,6
5,5	3,7 – 3,9
5,8	4,0 – 4,2
6,1	4,2 – 4,4

### Función de perforación

En primer lugar, gire la anilla de ajuste de modo que el puntero quede alineado con la marca . A continuación, siga estas indicaciones.

#### PRECAUCIÓN:

- La perforación no será más rápida si presiona excesivamente la herramienta. De hecho, esta presión excesiva sólo servirá para dañar la punta de la broca, reducir el rendimiento de la herramienta y acortar la vida útil de la herramienta.
- En el momento de realizar el orificio, se ejerce una presión enorme sobre la herramienta y la broca. Sujete firmemente la herramienta y tenga mucho cuidado cuando la broca empieza a perforar el material.
- Para sacar una broca atascada, sólo tiene que ajustar el interruptor de inversión en el giro inverso. Sin embargo, la herramienta puede retroceder bruscamente si no la sujeta con fuerza.
- Afiance siempre las piezas de trabajo pequeñas en una prensa de tornillo o un dispositivo de sujeción similar.
- Si la herramienta se utiliza continuamente hasta que el cartucho de la batería se descarga, deje reposar la herramienta durante 15 minutos antes de continuar con la batería cargada.

#### Perforación en madera

Los mejores resultados al realizar una perforación en madera se obtienen con las brocas para madera equipadas con un tornillo guía, ya que facilita la perforación puesto que inserta la broca en la pieza de trabajo.

#### Perforación en metal

Para evitar que la broca resbale al empezar la perforación, realice una mella con un punzón para marcas y un martillo en el punto exacto de la perforación. Sitúe la broca en la mella y empiece a perforar.

Utilice un lubricante para cortes cuando perforo metales, salvo para el hierro y el bronce, ya que deben perforarse en seco.

# MANTENIMIENTO

## PRECAUCIÓN:

- Asegúrese de apagar siempre la herramienta y extraer el cartucho de la batería antes de intentar realizar cualquier trabajo de inspección o mantenimiento en ella.

## Sustitución de las escobillas de carbón

Reemplácelas cuando se gasten hasta la marca de límite. Mantenga las escobillas de carbón limpias y de forma que entren libremente en los portaescobillas. Ambas escobillas de carbón deberán ser reemplazadas al mismo tiempo. Utilice únicamente escobillas de carbón idénticas. **(Fig. 12)**

Utilice un destornillador para extraer los dos tornillos y, a continuación, quite la cubierta trasera. **(Fig. 13)**

Levante el brazo del muelle y colóquelo en la parte cóncava del alojamiento con la ayuda de un destornillador fino para tornillos de cabeza ranurada o una herramienta similar. **(Fig. 14)**

Utilice unos alicates para extraer las tapas de las escobillas de carbón. Saque las escobillas de carbón desgastadas, inserte las nuevas y vuelva a colocar las tapas de los portaescobillas al revés. **(Fig. 15)**

Asegúrese de que las tapas de los portaescobillas queden perfectamente ajustadas en los orificios de los portaescobillas. **(Fig. 16)**

Vuelva a instalar la cubierta trasera y apriete los dos tornillos.

Para conservar la **SEGURIDAD** y la **FIABILIDAD** del producto, los trabajos de reparación y otros trabajos de mantenimiento y ajuste deberán ser realizados en centros de servicio autorizados de Makita, utilizando siempre repuestos Makita.

# ACCESORIOS

## PRECAUCIÓN:

- Se recomienda el uso de estos accesorios o complementos con la herramienta Makita especificada en este manual. El uso de otros accesorios o complementos puede conllevar el riesgo de ocasionar daños corporales. Utilice los accesorios o complementos solamente para su fin establecido.

Si necesita cualquier ayuda para obtener más información relativa a estos accesorios, pregunte al centro de servicio Makita local.

- Brocas de perforación
- Broca de percusión de punta de carburo de tungsteno
- Broca Phillips
- Broca ranurada
- Broca de zócalo
- Bulbo de extracción
- Gafas de seguridad
- Diversos tipos de baterías y cargadores originales de Makita
- Gancho
- Conjunto de almohadillas de goma
- Gorra de lana
- Almohadilla para pulido de espuma



# PORTUGUÊS

## Descrição geral

- |                                      |   |                            |
|--------------------------------------|---|----------------------------|
| 1. Bateria                           | 9. Anel de mudança de modo de funcionamento | 17. Marca limite           |
| 2. Botão                             | 10. Seta                                    | 18. Tampa posterior        |
| 3. Peça vermelha                     | 11. Graduações                              | 19. Parafusos              |
| 4. Gatilho                           | 12. Manga                                   | 20. Mola                   |
| 5. Lâmpada                           | 13. Parafuso                                | 21. Braço                  |
| 6. Manipulo de mudança de rotação    | 14. Gancho                                  | 22. Interior               |
| 7. Manipulo de mudança de velocidade | 15. Encaixe                                 | 23. Revestimento de carvão |
| 8. Anel de ajuste                    | 16. Fole                                    | 24. Orifício               |

## ESPECIFICAÇÕES

Modelo	BHP440	BHP450
Capacidades	Betão	13 mm
	Aço	13 mm
	Madeira	27 mm
	Parafuso de madeira	∅ 6,8 mm x 50 mm
	Parafuso da máquina	M6
Sem velocidade de rotação em carga (mín. <sup>-1</sup> )	Alto (2)	0 – 1.400
	Baixo (1)	0 - 400
Sopros por minuto (mín. <sup>-1</sup> )	Alto (2)	0 – 21.000
	Baixo (1)	0 – 6.000
Comprimento total	204 mm	
Peso líquido	1,7 kg	1,8 kg
Voltagem nominal	D.C. 14,4 V	D.C. 18 V

- Devido à pesquisa e desenvolvimento constantes, estas especificações estão sujeitas a alteração sem aviso prévio.
- Nota: estas especificações podem diferir de país para país.

### Utilização prevista

Esta ferramenta foi concebida para perfuração por precursão em tijolo, betão e pedra, e perfuração sem precursão, em madeira, metal, cerâmica e plástico.

## REGRAS DE SEGURANÇA ESPECÍFICAS

**NÃO deixe que o progressivo à-vontade com o produto (resultante de uma utilização frequente) o faça esquecer o estrito cumprimento das regras de segurança para a funcionalidade de perfuração. Se utilizar a ferramenta incorrectamente ou não respeitar as regras de segurança, poderá ferir-se gravemente.**

1. Use proteções para os ouvidos quando efectuar perfurações por precursão. A exposição ao ruído pode provocar a perda de audição.
2. Quando executar operações em que acessórios de corte possam entrar em contacto com fios eléctricos ocultos ou com próprio cabo eléctrico da ferramenta, tenha o cuidado de tocar apenas nas superfícies isoladas desses acessórios. O contacto com um fio eléctrico ligado à corrente pode electrificar as peças de metal da ferramenta e causar um choque.
3. Procure uma posição em pé estável e firme. Se utilizar a ferramenta em locais altos, verifique se não há ninguém por baixo.
4. Segure a ferramenta com firmeza, com as duas mãos.
5. Afaste as mãos das peças em movimento.

6. Não abandone a ferramenta a funcionar. Ponha-a a funcionar apenas quando estiver a segurá-la.
7. Não toque numa broca ou no material em que tiver estado a trabalhar logo após a operação porque podem estar demasiado quentes.
8. Alguns materiais contêm químicos que podem ser tóxicos. Tenha cuidado para evitar a inalação e o contacto da pele com o pó produzido. Obedeça às instruções de segurança do fornecedor do material.

## GUARDE ESTAS INSTRUÇÕES

### AVISO:

A UTILIZAÇÃO INCORRECTA ou o não cumprimento das regras de segurança fornecidas neste manual de instruções podem provocar ferimentos graves.

## INSTRUÇÕES IMPORTANTES DE SEGURANÇA PARA A BATERIA

1. Antes de utilizar a bateria leia as instruções e chamadas de atenção de: (1) o carregador da bateria, (2) a bateria e, (3) o produto que utiliza a bateria.
2. Não desmonte a bateria.
3. Se o tempo de utilização com bateria se tornar demasiado curto, deve parar imediatamente. Se continuar, pode causar sobreaquecimento, fogo e mesmo explosão.
4. Se o electrólito entrar em contacto com os olhos, enxagúe-os com água limpa e consulte imediatamente um médico. Os riscos incluem perda de visão.
5. Não provoque um curto-circuito na bateria:
  - (1) Não deixe que quaisquer materiais condutores entrem em contacto com os terminais da bateria.
  - (2) Evite guardar a bateria juntamente com outros objectos de metal como moedas, por exemplo.
  - (3) Não exponha a bateria a água ou chuva. Um curto-circuito na bateria pode criar uma grande carga eléctrica, sobreaquecimento, fogo e uma quebra da corrente.
6. Não guarde a ferramenta e a bateria em locais onde a temperatura possa atingir ou exceder 50°C (122°F).
7. Não incinere a bateria, nem mesmo que esta se tenha avariado irremediavelmente ou se tenha gasto completamente com o uso. Pode explodir e causar fogo.
8. Não a deixe cair e evite o choque com outros objectos.

## GUARDE ESTAS INSTRUÇÕES

### Dicas para o máximo de tempo de vida da bateria

1. Não espere que a bateria se gaste completamente para voltar a carregá-la. Pare a ferramenta e

carregue a bateria sempre que detectar um baixo nível de energia.

2. Nunca volte a carregar uma bateria já completamente carregada. O carregamento excessivo diminui o tempo de vida das baterias.
3. Carregue a bateria em compartimentos onde a temperatura for de 10°C a 40°C (50°F - 104°F). Se a bateria estiver quente, deixe-a arrefecer antes de iniciar o carregamento.

## DESCRIÇÃO DO FUNCIONAMENTO

### PRECAUÇÃO:

- Certifique-se sempre de que a ferramenta está desligada e a bateria foi removida antes de proceder a ajustamentos ou testar acessórios.

### Inserir ou retirar a bateria (Fig. 1)

- Sempre que for inserir ou remover a bateria, desligue a ferramenta.
- Para remover a bateria, puxe-a para fora ao mesmo tempo que desliza o botão de segurança no lado do cartucho.
- Para inserir a bateria alinhe-a com a calha recolhida e encaixe-a suavemente. Insira-a completamente até sentir um clique de encaixe. Se ainda estiver visível a peça vermelha na parte superior do botão, não estará bem encaixada. Insira-a completamente, até deixar de ver a peça vermelha. Caso contrário, pode cair da ferramenta e causar ferimentos em si, ou em alguém que esteja perto de si.
- Não exercça força ao inserir a bateria. Se não encaixar facilmente é porque não está correctamente posicionada.

### O gatilho/interruptor (Fig. 2)

#### PRECAUÇÃO:

- Antes de inserir a pilha na ferramenta, verifique se o gatilho está a funcionar correctamente e se volta à posição "OFF" quando o solta.

Para pôr a ferramenta a funcionar, prima o gatilho. A velocidade da ferramenta aumenta com a pressão exercida no gatilho. Para parar a ferramenta, solte o gatilho.

### A luz incorporada na ferramenta (Fig. 3)

#### PRECAUÇÃO:

- Não olhe directamente para a luz da ferramenta. Para a acender prima o gatilho. A lâmpada manter-se-á acesa enquanto o gatilho for premido. 10 a 15 segundos depois de o gatilho ser solto, a luz apaga-se.

#### NOTA:

- Para limpar a lâmpada, utilize um tecido seco. Tenha cuidado para não riscar a lente da lâmpada, pois poderia diminuir a intensidade da iluminação.

### Inverter a direcção da rotação (Fig. 4)

Esta ferramenta tem um interruptor que permite inverter a direcção da rotação. Rode o interruptor a partir da

posição A no sentido dos ponteiros do relógio, ou a partir da posição B no sentido contrário ao dos ponteiros do relógio.

Se o interruptor estiver na posição neutra, o gatilho não poderá ser premido.

#### **PRECAUÇÃO:**

- Verifique sempre a direcção da rotação antes da operação.
- Este interruptor deve ser utilizado apenas quando a ferramenta estiver completamente parada. Se alterar a direcção da rotação antes da ferramenta ter parado pode avariá-la.
- Quando a ferramenta não estiver a funcionar coloque o interruptor na posição neutra.

### **Alteração da velocidade (Fig. 5)**


- Para alterar a velocidade, primeiro desligue a ferramenta e, em seguida, coloque o manípulo de mudança de velocidade na posição "2" para uma velocidade alta, e na posição "1" para uma velocidade baixa. Certifique-se de que o manípulo de mudança de velocidade está na posição desejada antes de pôr a ferramenta a funcionar. Selecione a velocidade adequada ao trabalho que vai executar.


#### **PRECAUÇÃO:**


- Certifique-se de que o manípulo de mudança de velocidade fica colocado na posição correcta. Se puser a ferramenta a funcionar com o manípulo de mudança de velocidade numa posição indefinida entre as posições "1" e "2", a ferramenta pode avariar-se.
- Não utilize o manípulo de mudança de velocidade com a ferramenta em funcionamento. Pode avariá-la.

### **Seleção do modo de funcionamento (Fig. 6)**

Esta ferramenta possui um anel que permite seleccionar o modo de funcionamento. Selecione, dos três modos disponíveis, o mais apropriado a cada trabalho que for efectuar.

Para uma rotação simples, rode o anel até que a seta no corpo da ferramenta fique a apontar para a marca  no anel.

Para uma rotação com precursão, rode o anel até que a seta no corpo da ferramenta fique a apontar para a marca  no anel.

Para uma rotação com pressão, rode o anel até que a seta no corpo da ferramenta fique a apontar para a marca  no anel.

#### **PRECAUÇÃO:**

- O anel deve ficar sempre bem posicionado, numa das marcas. Se puser a ferramenta a funcionar com o anel numa posição indefinida, entre duas marcas por exemplo, a ferramenta pode avariar-se.

### **Ajuste da torção (Fig. 7)**

A torção tem 16 posições que podem ser reguladas com o anel de ajuste, alinhando as graduações relativamente à seta existente no corpo da ferramenta. A posição mínima corresponde ao alinhamento da seta com o

indicador 1, e a posição máxima ao alinhamento da seta com o indicador 16.

Antes da operação propriamente dita, execute um teste; pode utilizar um pedaço desnecessário do mesmo material para determinar o nível adequado para o caso em particular.

## **MONTAGEM**

#### **PRECAUÇÃO:**

- Certifique-se sempre de que a ferramenta está desligada e a bateria removida, antes de efectuar qualquer operação com acessórios.

### **Instalar ou retirar brocas (Fig. 8)**

Rode o anel no sentido contrário ao dos ponteiros do relógio para abrir o mandril. Introduza a broca no mandril, até ao fundo. Rode o anel no sentido dos ponteiros do relógio para apertar o mandril.

Para remover a broca, rode o anel no sentido contrário ao dos ponteiros do relógio.

### **Gancho (Fig. 9)**

O gancho é muito útil para pendurar a ferramenta quando necessário. Pode ser instalado de qualquer dos lados.


Para instalar o gancho, insira-o numa das ranhuras do corpo da ferramenta, em qualquer dos lados e, em seguida, fixe-o com um parafuso. Para o remover, basta desapertar o parafuso.

## **FUNCIIONAMENTO**

### **Função de perfuração com percussão**

#### **PRECAUÇÃO:**

- No início da perfuração, quando o orifício começa a ficar entupido com partículas do material que está a ser perfurado ou quando a perfuração encontra reforços no interior do betão, é exercida uma força enorme que pode causar movimentos inesperados na broca

Primeiro, coloque o anel de mudança de modo de funcionamento na posição em que a seta do corpo da ferramenta fica a apontar para a marca . O anel de ajuste pode ser regulado para quaisquer níveis de aperto para esta operação.

Certifique-se de que está a usar uma broca com revestimento de carboneto de tungsténio.

Posicione a broca no ponto onde deseja efectuar a perfuração e prima o gatilho.

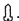
Não force a ferramenta. Se aplicar uma leve pressão obterá melhores resultados. Concentre-se em manter a ferramenta na posição correcta e não deixar que a broca saia do orifício.

Não aplique mais pressão quando o orifício começar a ficar entupido com partículas do material perfurado. Em vez disso, coloque a ferramenta em compasso de espera e retire parcialmente a broca do orifício. Repetindo este processo várias vezes, manterá o orifício limpo e uma perfuração normal.

## Fole (acessório opcional) (Fig. 10)

Depois de perfurado o orifício, utilize o fole para retirar o entulho e partículas.

## Função de aparafusamento (Fig. 11)

Primeiro, coloque o anel de mudança de modo de funcionamento para a posição em que a seta existente no corpo da ferramenta fique a apontar para a marca . Ajuste o anel para um nível adequado ao trabalho. Depois faça o seguinte.

Coloque o acessório de chave de fendas e aperte. Ponha a ferramenta a funcionar a uma velocidade baixa e vá aumentando gradualmente. Liberte o gatilho assim que o tambor parar de rodar.

### PRECAUÇÃO:


- Certifique-se de que o acessório está bem colocado, para que não se danifique.

### NOTA:

- Em madeira, faça um orifício piloto no ponto pretendido para tornar a perfuração mais fácil e evitar que a madeira estale. Ver gráfico

Diâmetro nominal da perfuração em madeira (mm)	Tamanho recomendado para o orifício piloto (mm)
3,1	2,0 – 2,2
3,5	2,2 – 2,5
3,8	2,5 – 2,8
4,5	2,9 – 3,2
4,8	3,1 – 3,4
5,1	3,3 – 3,6
5,5	3,7 – 3,9
5,8	4,0 – 4,2
6,1	4,2 – 4,4

## Função de perfuração

Primeiro ajuste o anel de modo a alinhar o ponteiro com a marca . Depois faça o seguinte.

### PRECAUÇÃO:

- Se exercer demasiada força sobre a ferramenta, a velocidade de perfuração não aumentará. Na verdade, o excesso de força acabará apenas por danificar a ponta da broca, diminuir o desempenho da ferramenta e diminuir o seu tempo de vida funcional.
- No início da perfuração já é exercida uma enorme força na broca e na própria ferramenta. Mantenha a ferramenta firme e concentre-se no posicionamento da broca no início da perfuração.
- Uma broca encravada pode ser removida com facilidade invertendo o sentido da rotação na ferramenta. No entanto, deve ter cuidado porque a ferramenta pode exercer uma força súbita para trás, se não estiver bem segura.
- Quando trabalhar em peças pequenas fixe-as num torno ou num dispositivo similar.
- Se mantiver a ferramenta a funcionar ininterruptamente até a bateria se gastar

completamente, deixe-a em repouso durante 15 minutos antes de substituir a bateria.

### Perfuração em madeira

Se perfurar madeira, para obter os melhores resultados utilize brocas de madeira com uma ponta de parafuso. A ponta de parafuso torna a perfuração mais fácil, fazendo a broca penetrar o material.

### Perfuração em metal

Para evitar que a broca salte ao iniciar a perfuração, crie também um orifício piloto com um cinzel e um martelo, no ponto que deseja perfurar. Coloque a ponta da broca o orifício piloto e inicie a perfuração.

Utilize um lubrificante de corte para perfurar metais.

Excepto em ferro e latão, que devem ser perfurados a seco.

## MANUTENÇÃO

### PRECAUÇÃO:

- Certifique-se sempre de que a ferramenta está desligada e a bateria removida antes de efectuar operações de inspecção ou de manutenção.

### Substituição de escovas de carvão

Substitua-as quando o desgaste chegar à marca limite. Mantenha-as limpas e soltas para poderem deslizar nos suportes. Substitua as duas ao mesmo tempo. As escovas de um mesmo par utilizado devem ser idênticas. (Fig. 12)

Utilize uma chave de parafusos para remover os dois parafusos e retire a tampa posterior. (Fig. 13)

Levante o braço da mola e coloque-o na parte interior do corpo da ferramenta com a ajuda de um objecto comprido e delgado. (Fig. 14)

Utilize pinças para retirar as capas de carvão. Retire as escovas usadas, coloque umas novas e volte a colocar as tampas dos suportes. (Fig. 15)

Certifique-se de que as capas se adaptaram perfeita e firmemente nos orifícios dos suportes. (Fig. 16)

Volte a colocar a tampa traseira e aperte bem os parafusos.

Para manter os níveis de SEGURANÇA e FIABILIDADE definidos para este produto, reparações, operações de manutenção ou ajustes devem ser executados por centros de assistência Makita autorizados e, no caso de substituição de peças, estas devem ser igualmente Makita.

# ACESSÓRIOS

## PRECAUÇÃO:

- Os seguintes acessórios ou extensões são os recomendados para utilizar com a ferramenta Makita especificada neste manual. A utilização de outros acessórios ou extensões podem provocar ferimentos. Utilize cada acessório ou extensão apenas para o fim indicado.

Se precisar de informações adicionais relativas aos acessórios, contacte o centro local de assistência Makita.

- Brocas de perfuração
- Broca com revestimento de carboneto de tungsténio
- Broca Phillips
- Broca ranhurada
- Broca-chave
- Fole
- Óculos protectores
- Vários tipos de baterias e carregadores Makita genuínos.
- Gancho
- Almofada de borracha
- Protector de lâ
- Polidor de espuma

**Forklaring til generel oversigt**

- |                         |  |                          |
|-------------------------|--|--------------------------|
| 1. Batteripakke         | 9. Ring til skift af funktionstilstand | 17. Slidgrænse           |
| 2. Knap                 | 10. Pil                                | 18. Bagdæksel            |
| 3. Rød del              | 11. Gradinddelinger                    | 19. Skruer               |
| 4. Kontaktagreb         | 12. Muffe                              | 20. Fjeder               |
| 5. Lampe                | 13. Skrue                              | 21. Arm                  |
| 6. Skiftekontakthåndtag | 14. Krog                               | 22. Forsænket del        |
| 7. Hastighedshåndtag    | 15. Rille                              | 23. Dæksel til kulbørste |
| 8. Justeringsring       | 16. Udblæsningskolbe                   | 24. Hul                  |

**SPECIFIKATIONER**

Model	BHP440	BHP450
Kapaciteter	Beton	13 mm
	Stål	13 mm
	Træ	27 mm
	Træskrue	ø 6,8 mm x 50 mm
	Maskinskrue	M6
Hastighed uden belastning (min <sup>-1</sup> )	Høj (2)	0 - 1.400
	Lav (1)	0 - 400
Slag pr. minut (min <sup>-1</sup> )	Høj (2)	0 - 21.000
	Lav (1)	0 - 6.000
Længde i alt	204 mm	
Nettovægt	1,7 kg	1,8 kg
Nominal spænding	14,4 V DC	18 V DC

- På grund af vores løbende forsknings- og udviklingsprogram kan specifikationerne heri ændres uden forudgående varsel.
- Bemærk: Specifikationerne kan variere fra land til land.

**Beregnet brug**

Værktøjet er beregnet til slagboring i mursten, beton og sten samt til boring uden slag i træ, metal, keramik og plastik.

**SPECIFIKKE SIKKERHEDSREGLER**

**LAD IKKE tryghed eller kendskab til produktet (fra gentagen brug) føre til, at De ikke strengt overholder sikkerhedsreglerne for slagboret. Hvis maskinen anvendes på usikker eller forkert vis, kan De komme alvorligt til skade.**

1. **Brug høreværn sammen med slagbor.** Udsættelse for støj kan medføre høreskader.
2. **Hold maskiner i de isolerede gribeblader, når De udfører arbejde, hvor skæreværktøjet kan komme i kontakt med skjulte ledninger eller værktøjets egen ledning.** Ved kontakt med strømførende ledninger bliver udsatte metaldele på værktøjet strømførende, hvorved brugeren kan få elektrisk stød.
3. **Sørg altid for at have et solidt fodfæste. Sørg for, at der ikke er nogen under Dem, når De benytter værktøjet på højtliggende steder.**
4. **Hold godt fast i værktøjet med begge hænder.**
5. **Hold hænderne på afstand af roterende dele.**
6. **Læg ikke værktøjet fra Dem, mens det kører. Lad kun værktøjet køre, mens De holder det i hænderne.**

7. Berør ikke spidsen eller arbejdsemnet umiddelbart efter brugen. De kan være meget varme og kan forårsage forbrændinger af huden.
8. Nogle materialer indeholder kemikalier, som kan være giftige. Undgå at indånde støv eller at få det på huden. Følg sikkerhedsinstruktionerne fra leverandøren af materialerne.

## GEM DISSE INSTRUKTIONER

### ADVARSEL:

MISBRUG eller manglende overholdelse af sikkerhedsreglerne i denne brugsanvisning kan medføre alvorlig personskade.

## VIGTIGE SIKKERHEDSINSTRUKTIONER FOR BATTERIPAKKEN

1. Før brugen af batteripakken skal De læse alle instruktioner og advarsler på (1) batteriopladeren, (2) batteriet og (3) det produkt, som batteriet anvendes i.
2. Skil ikke batteripakken ad.
3. Hvis driftstiden bliver betydeligt kortere, skal De straks ophøre med brugen. Brug kan medføre risiko for overophedning, mulige forbrændinger eller endog eksplosion.
4. Hvis De får elektrolyt i øjnene, skal De med det samme rense øjnene med rent vand og søge læge. Dette kan medføre tab af synet.
5. Kortslut ikke batteripakken:
  - (1) Undgå at berøre terminalerne med ledende materiale.
  - (2) Undgå at opbevare batteripakken i en beholder med andre metalgenstande som f.eks. søm, mønter osv.
  - (3) Udsæt ikke batteripakken for vand eller regn. Hvis batteriet kortsluttes, kan det medføre voldsom strøm, overophedning, mulige forbrændinger og endog nedbrud.
6. Undgå at opbevare værktøjet og batteripakken på steder, hvor temperaturen kan komme op på eller overstige 50°C (122°F).
7. Sæt ikke ild til batteripakken, selvom den er alvorligt beskadiget eller helt udtjent. Batteripakken kan eksplodere ved brand.
8. Undgå at tabe eller slå på batteriet.

## GEM DISSE INSTRUKTIONER

### Tip til, hvordan De forlænger batteriets levetid

1. Udskift batteripakken, før den bliver helt afladet. Ophør med at bruge værktøjet, og udskift batteripakken, hvis strømmen til værktøjet aftager.
2. Oplad aldrig en fuldt opladet batteripakke. Overopladning forkorter batteriets levetid.

3. Oplad batteripakken ved stuetemperatur på 10°C – 40°C (50°F – 104°F). Lad batteripakken køle ned, før den oplades, hvis den er varm.

## FUNKTIONSBESKRIVELSE

### FORSIGTIG:

- Sørg altid for, at værktøjet er slukket, og at batteripakken er taget ud, før De justerer værktøjet eller kontrollerer dets funktion.

### Montering eller afmontering af batteripakken (Fig. 1)

- Sluk altid for værktøjet, før De monterer eller afmonterer batteripakken.
- Ved afmontering af batteripakken trækkes den ud af værktøjet, mens der trykkes på knappen på siden af pakken.
- Ved montering af batteripakken justeres tungen på batteripakken med rillen i huset, hvorefter pakken skubbes på plads. Sæt den altid hele vejen ind, indtil den låses på plads med et lille klik. Hvis den røde del øverst på knappen er synlig, er batteripakken ikke låst helt fast. Sæt den helt ind, indtil den røde del ikke er synlig. Ellers kan den falde ud af værktøjet og skade Dem eller andre personer i nærheden.
- Brug ikke magt ved montering af batteripakken. Hvis den ikke glider let ind, er den ikke indsat korrekt.

### Betjening af kontakt (Fig. 2)

#### FORSIGTIG:

- Før batteripakken sættes i værktøjet, skal De altid kontrollere, at kontaktgrebet reagerer korrekt og vender tilbage i "OFF"-stillingen, når De slipper det. For at starte værktøjet skal De blot trykke på kontakten. Værktøjets hastighed forøges ved at trykke hårdere på kontaktgrebet. Slip kontaktgrebet for at stoppe.

### Tænding af lampen (Fig. 3)

#### FORSIGTIG:

- Se ikke direkte ind i lyset eller lyskilden. Træk i kontaktgrebet for at tænde lampen. Lampen forbliver tændt, så længe der trækkes i kontaktgrebet. Lampen slukkes 10-15 sekunder efter, at grebet slippes.

#### BEMÆRK:

- Benyt en tør klud til at tørre snavs af lampens linse. Pas på ikke at ridse lampens linse, da det kan mindske lysstyrken.

### Betjening af skiftekontakten (Fig. 4)

Værktøjet har en skiftekontakt til at ændre rotationsretningen. Tryk skiftekontakten mod A-siden for rotation med uret eller mod B-siden for rotation mod uret. Når skiftekontakthåndtaget er i neutral stilling, kan kontaktgrebet ikke trækkes ud.

#### **FORSIGTIG:**

- Kontroller altid rotationsretningen før anvendelsen.
- Betjen ikke skiftekontakten, før værktøjet er helt stoppet. Hvis rotationsretningen ændres, når værktøjet ikke er helt stoppet, kan det beskadige værktøjet.
- Sæt altid skiftekontakthåndtaget i neutral stilling, når værktøjet ikke betjenes.

#### **Ændring af hastigheden (Fig. 5)**


- Hvis De vil ændre hastigheden, skal De først slukke for værktøjet og derefter trække hastighedshåndtaget mod siden "2" for høj hastighed eller mod siden "1" for lav hastighed. Kontroller før anvendelsen, at hastighedshåndtaget er i den korrekte stilling. Brug den rette hastighed til jobbet.


#### **FORSIGTIG:**


- Sæt altid hastighedshåndtaget helt ud i den rette stilling. Hvis værktøjet betjenes med hastighedshåndtaget indstillet halvvejs mellem "1" og "2", kan det beskadige værktøjet.
- Betjen ikke hastighedshåndtaget, mens værktøjet kører. Dette kan beskadige værktøjet.

#### **Valg af funktionstilstand (Fig. 6)**

Værktøjet har en ring til skift af funktionstilstand. Brug ringen til at vælge den af de tre tilstande, der passer til dit arbejde.

For kun at vælge rotation drejes ringen, så pilen på værktøjet peger mod -mærket på ringen.

For rotation med slag drejes ringen, så pilen peger mod -mærket på ringen.

For rotation med kobling drejes ringen, så pilen peger mod -mærket på ringen.

#### **FORSIGTIG:**

- Indstil altid ringen korrekt til mærket for den ønskede tilstand. Hvis værktøjet betjenes med ringen placeret midt mellem tilstandsmærkerne, kan værktøjet blive beskadiget.

#### **Justeringsmomentet (Fig. 7)**

Strammingsmomentet kan indstilles til 16 trin ved at dreje på justeringsringen, så dens gradinddelinger er justeret med pilen på værktøjet. Strammingsmomentet er mindst, når tallet 1 er justeret med pilen, og højst, når tallet 16 er justeret med pilen.

Før den faktiske anvendelse skal De sætte en prøveskrue i arbejdsområdet eller i et stykke lignende materiale for at bestemme, hvilket moment der kræves til en bestemt anvendelse.

## **MONTERING**

#### **FORSIGTIG:**

- Sørg altid for, at værktøjet er slukket, og at batteripakken er taget ud, før De udfører nogen form for arbejde på værktøjet.

#### **Montering eller afmontering af drevspidsen eller borespidsen (Fig. 8)**

Drej muffen mod uret for at åbne patronkæberne. Sæt spidsen i patronen, til den ikke kan komme længere ind. Drej muffen med uret for at stramme patronen. Drej muffen mod uret for at tage spidsen ud.

#### **Krog (Fig. 9)**

Krogen er nyttig til midlertidig ophængning af værktøjet. Den kan monteres i begge sider af værktøjet.


For at montere krogen indsættes den i en rille i værktøjet på en af siderne, hvorefter den fastgøres med en skrue. Den afmonteres ved at løsne skruen og tage den ud.

## **BETJENING**

#### **Betjening ved slagboring**

##### **FORSIGTIG:**

- Værktøjet og spidsen udsættes for en voldsom og pludselig kraft på det tidspunkt, hvor spidsen bryder igennem, når hullet tilstoppes med spåner og partikler, eller når værktøjet rammer armeringsjern i beton.

Drej først ringen til skift af funktionstilstand, så pilen på værktøjet peger mod -mærket. Justeringsringen kan indstilles til alle strammingsmomenter til denne funktion.

Sørg for at bruge en wolframkarbid-forstærket spids.

Placer spidsen på det sted, hvor hullet skal bores, og træk i kontaktgrebet.


Brug ikke magt på værktøjet. Et let tryk giver det bedste resultat. Hold værktøjet på positionen, og undgå, at det glider væk fra hullet.

Anvend ikke mere tryk, når hullet bliver tilstoppet med spåner eller partikler. Lad i stedet værktøjet køre i tomgang, og tag spidsen delvist ud af hullet. Når De gentager denne fremgangsmåde flere gange, tømmes hullet, og De kan fortsætte med at bore.

#### **Udblæsningskolbe (fås som tilbehør) (Fig. 10)**

Når hullet er boret, kan De bruge udblæsningskolben til at fjerne støv fra hullet.

#### **Betjening som skruetrækker (Fig. 11)**

Drej først ringen til skift af funktionstilstand, så pilen på værktøjet peger mod -mærket. Indstil justeringsringen til det rigtige strammingsmoment til formålet. Benyt derefter følgende fremgangsmåde.

Placer drevspidsen i skruet hovedet, og tryk med værktøjet. Start værktøjet langsomt, og forøg gradvist hastigheden. Slip kontaktgrebet, så snart koblingen slår fra.

##### **FORSIGTIG:**

- Sørg for, at drevspidsen sættes lige ned i skruet hovedet. I modsat fald kan skruen og/eller spidsen blive beskadiget.

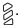


## BEMÆRK:

- Ved skruning af træskruer skal De forbore styrehuller for at gøre det lettere at sætte skrueerne i og for at forhindre, at arbejdsemnet flækker. Se diagrammet.

Nominal diameter af træskruer (mm)	Anbefalet størrelse af styrehul (mm)
3,1	2,0 - 2,2
3,5	2,2 - 2,5
3,8	2,5 - 2,8
4,5	2,9 - 3,2
4,8	3,1 - 3,4
5,1	3,3 - 3,6
5,5	3,7 - 3,9
5,8	4,0 - 4,2
6,1	4,2 - 4,4

## Betjening ved boring

Drej først justeringsringen, så pilen peger mod -mærket. Benyt derefter følgende fremgangsmåde.

### FORSIGTIG:

- Boringen går ikke hurtigere, hvis De trykker hårdt på værktøjet. Det ekstra tryk vil blot beskadige spidsen, så værktøjets ydelse forringes, og dets levetid forkortes.
- Værktøjet og spidsen er under påvirkning af stærke kræfter på det tidspunkt, hvor spidsen bryder igennem. Hold godt fast i værktøjet, og vær forsigtig, når spidsen begynder at bryde igennem arbejdsemnet.
- Hvis spidsen sidder fast, kan den tages ud ved blot at indstille skiftekontakten til baglæns rotation for at bakke den ud. Vær imidlertid opmærksom på, at værktøjet kan bakke ud pludseligt, hvis De ikke holder godt fast i det.
- Fastgør altid små arbejdsemner i en skruestik eller lignende udstyr til fastgørelse.
- Hvis værktøjet betjenes konstant, indtil batteripakken er afladet, skal De lade værktøjet hvile i 15 minutter, før De fortsætter med et nyt batteri.

### Boring i træ

Ved boring i træ opnås de bedste resultater med træbor, som er udstyret med en styreskrue. Styreskruen gør det lettere at bore ved at trække spidsen ind i arbejdsemnet.

### Boring i metal

Lav en fordybning med en kørner og en hammer på det sted, hvor der skal bores, for at forhindre, at spidsen glider, når De starter på et hul. Placer spidsen i fordybningen, og begynd at bore.

Anvend en skæreolie ved boring i metaller. Undtagelser fra denne regel er jern og messing, der skal bores tørre.

## VEDLIGEHODELSE

### FORSIGTIG:

- Sørg altid for, at værktøjet er slukket, og at batteripakken er taget ud, før De forsøger at udføre inspektion eller vedligeholdelse.

## Udskiftning af kulbørster

Udskift dem, når de er nedslidt til slidgrænsen. Hold kulbørsterne rene og frie til at glide i holderne. Begge kulbørsterne skal udskiftes samtidig. Brug altid identiske kulbørster. (Fig. 12)

Brug en skruetrækker til at fjerne de to skruer og derefter fjerne bagdækslet. (Fig. 13)

Løft armen på fjederen, og placer den i den forsænkede del af huset med en kærvskrueetrækker med et tyndt skaft eller lignende. (Fig. 14)

Brug en pincet til at fjerne kulbørstedækslerne fra kulbørsterne. Tag de udslidte kulbørster ud, monter de nye, og monter kulholderdækslerne i omvendt rækkefølge af ovenstående. (Fig. 15)

Sørg for, at kulbørstedækslerne sidder godt fast i hullerne på børsteholderne. (Fig. 16)

Monter bagdækslet igen, og stram de to skruer godt.

For at holde produktet SIKKERT og PÅLIDELIGT skal reparationer samt al anden vedligeholdelse eller justering udføres af autoriserede Makita-servicecentre, og der skal altid benyttes Makita-reservedele.

## TILBEHØR

### FORSIGTIG:

- Dette tilbehør eller ekstraudstyr anbefales til brug med det Makita-værktøj, som er beskrevet i denne brugsanvisning. Brug af andet tilbehør eller ekstraudstyr kan forårsage personskade. Brug kun tilbehør eller ekstraudstyr til det formål, det er beregnet til.

Henvend Dem til Deres lokale Makita-servicecenter, hvis De har brug for hjælp eller yderligere oplysninger vedrørende tilbehøret.

- Borespids
- Hammerspids med wolframkarbidforstærkning
- Stjernespids
- Kærvspids
- Muffespids
- Udblæsningskolbe
- Sikkerhedsbriller
- Forskellige typer af originale batterier og opladere fra Makita
- Krog
- Gummimåttemontering
- Uldhætte
- Skumpoleringsmåtte

**Förklaring allmän överblick**

- |                              |                             |                         |
|------------------------------|-----------------------------|-------------------------|
| 1. Batterikassett            | 9. Bytesring för arbetsläge | 17. Slitagemarkering    |
| 2. Knapp                     | 10. Pil                     | 18. Bakre hölje         |
| 3. Röd del                   | 11. Graderingar             | 19. Skruvar             |
| 4. Utlösare för strömbrytare | 12. Hylsa                   | 20. Fjäder              |
| 5. Lampa                     | 13. Skruv                   | 21. Arm                 |
| 6. Reverseringsspak          | 14. Hake                    | 22. Försänkt del        |
| 7. Hastighetsspak            | 15. Spår                    | 23. Lock till kolborste |
| 8. Justeringsring            | 16. Utblåsningskolv         | 24. Hål                 |

**SPECIFIKATIONER**

Modell		BHP440	BHP450
Kapacitet	Cement	13 mm	
	Stål	13 mm	
	Trä	27 mm	
	Träskruv	ø 6,8 mm x 50 mm	
	Maskinskruv	M6	
Obelastat varvtal (min <sup>-1</sup> )	Hög (2)	0 - 1.400	
	Låg (1)	0 - 400	
Blåsningar per minut (min <sup>-1</sup> )	Hög (2)	0 - 21.000	
	Låg (1)	0 - 6.000	
Total längd		204 mm	
Totalvikt		1,7 kg	1,8 kg
Märkspänning		14,4 V likström	18 V likström

- På grund av vårt fortsatta program för efterforskning och utveckling, kan dessa specifikationer ändras utan föregående meddelande.
- Obs! Specifikationerna kan variera i olika länder.

**Användningsområde**

Verktyget är avsett för slagborrning i tegel, cement och sten, samt för borrning utan slag i trä, metall, keramik och plast.

**SPECIFIKA SÄKERHETSANVISNINGAR**

**GLÖM INTE att strikt följa säkerhetsanvisningarna för denna borrhämmare även efter att du blivit van vid att använda den (genom frekvent användning). Ovarsam eller felaktig användning av detta elverktyg kan leda till allvarliga personskador.**

1. **Använd hörselskydd tillsammans med slaghammaren.** Du kan få hörselskador om du utsätts för högt ljud.
2. **Håll elverktyg i de isolerade handtagen när du utför arbete där skärverktyget kan komma i kontakt med en dold elkabel eller maskinens egna sladd.** De synliga metalldelarna på maskinen blir strömförande om verktyget kommer i kontakt med en strömförande ledning och operatören kan få en elektrisk stöt.
3. **Se alltid till att du står stabilt med fötterna. Se till att ingen finns under dig när maskinen används på hög höjd.**
4. **Håll maskinen säkert i båda händerna.**
5. **Håll händerna borta från roterande delar.**
6. **Lämna inte maskinen igång. Använd endast maskinen när du håller den i händerna.**

- Rör inte vid borret eller arbetsstycket omedelbart efter användning, eftersom de kan vara extremt varma och bränna din hud.
- Vissa material kan innehålla giftiga kemikalier. Se till att du inte andas in damm eller får det på huden. Följ anvisningarna i leverantörens materialsäkerhetsblad.

## SPARA DESSA INSTRUKTIONER

### VARNING

**OVARSAM** hantering eller användning som inte följer säkerhetsanvisningarna i denna bruksanvisning kan leda till allvarliga personskador.

## VIKTIGA SÄKERHETSANVISNINGAR FÖR BATTERIKASSETTEN

- Innan batterikassetten används ska alla instruktioner och varningsmärken på (1) batteriladdaren, (2) batteriet och (3) produkten läsas.
- Demontera inte batterikassetten.
- Om driftstiden blivit avsevärt kortare ska användningen avbrytas omedelbart. Det kan uppstå överhettning, eventuella brännskador och t o m en explosion.
- Om du får elektrolyt i ögonen ska de sköljas med rent vatten och läkare uppsöks omedelbart. Du kan förlora synen annars.
- Kortslut inte batterikassetten:
  - Rör inte vid polerna med något strömförande material.
  - Undvik att förvara batterikassetten i en behållare tillsammans med andra metallobjekt som t ex spik, mynt etc.
  - Utsätt inte batterikassetten för vatten eller regn.

Ett kortslutet batteri kan orsaka ett stort strömflöde, överhettning, eventuella brännskador och maskinen kan gå sönder.

- Förvara inte verktyget och batterikassetten på en plats där temperaturen kan nå eller överstiga 50°C (122°F).
- Förbränn inte batterikassetten även om den är svårt skadad eller helt utsliten. Batterikassetten kan explodera i en eld.
- Var försiktig så du inte råkar tappa eller slå på batteriet.

## SPARA DESSA INSTRUKTIONER

### Tips för att uppnå batteriets maximala livslängd

- Ladda batterikassetten innan den laddas ur helt. Stoppa alltid verktyget och ladda batterikassetten när du märker att verktyget blivit svagare.
- Ladda aldrig en fulladdad batterikasset. Överladdning förkortar batteriets livstid.

- Ladda batterikassetten vid rumstemperatur mellan 10°C - 40°C (50°F - 104°F). Låt en varm batterikasset svalna innan den laddas.

## FUNKTIONSBESKRIVNING

### FÖRSIKTIGHET:

- Se alltid till att verktyget stängts av och att batterikassetten tagits loss, innan justering eller kontroll av verktygets funktioner utförs.

### Montera eller demontera batterikassetten (Fig. 1)

- Stäng alltid av verktyget innan batterikassetten monteras eller demonteras.
- För att ta loss batteriet drar du det från verktyget samtidigt som du skjuter knappen på kassetten sida.
- För att montera batterikassetten linjeras tungan på batterikassetten med spåret i höljet, och tryck det på plats. Tryck alltid in det hela vägen tills det låser fast med ett litet klick. Om du kan se den röda delen på knappens ovansida, är det inte riktigt låst. Sätt in det helt till den röda delen inte syns mer. Om inte kan det oavsiktligt lossa från verktyget och orsaka skada på dig eller någon omkring dig.
- Använd inte våld när batterikassetten monteras. Om kassetten inte glider på plats enkelt, sätts den inte i på rätt sätt.

### Inställning av strömbrytare (Fig. 2)

#### FÖRSIKTIGHET:

- Kontrollera alltid att utlösaren för strömbrytaren aktiveras och återgår till läget "OFF" när den släpps, innan du sätter i batterikassetten i verktyget.

Tryck in strömbrytaren för att starta verktyget. Hastigheten ökas genom att trycker hårdare på avtryckaren. Släpp brytaren för att stoppa det.

### Tända frontlampan (Fig. 3)

#### FÖRSIKTIGHET:

- Titta inte in i lampan eller direkt i ljuskällan. Dra i brytaren för att tända lampan. Lampan lyser medan man drar i brytaren. Lampan slocknar 10-15 sekunder efter att man släppt brytaren.

#### Obs!

- Använd en torr trasa för att torka bort smuts från lampans lins. Var försiktig så att inte lampans lins repas eftersom belysningen då kan minska.

### Reverseringsbrytaren (Fig. 4)

Detta verktyg har en reverseringsbrytare så att man kan byta rotationsriktning. Tryck ner reverseringsspaken från sidan A för rotation medurs, eller från sidan B för rotation moturs.

När reverseringsspaken befinner sig i neutralt läge, kan man inte använda avtryckaren.

## FÖRSIKTIGHET:

- Kontrollera alltid rotationsriktningen före användning.
- Använd reverseringsbrytaren först efter att verktyget stannat helt. Verktyget kan skadas om man byter rotationsriktning medan verktyget fortfarande roterar.
- Placera alltid reverseringsspaken i neutralt läge när verktyget inte används.

## Byte av hastighet (Fig. 5)

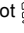
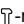
- För att byta hastighet stänger du först av verktyget. Skjut sedan hastighetsspaken till "2" för hög hastighet, eller till "1" för låg hastighet. Kontrollera att hastighetsspaken står i rätt läge innan du börjar arbeta. Använd rätt hastighet för jobbet.

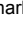
## FÖRSIKTIGHET:

- Placera alltid hastighetsspaken helt rätt i läge. Om du använder verktyget med hastighetsspaken mellan sidan "1" och sidan "2", kan verktyget skadas.
- Använd inte hastighetsspaken medan verktyget snurrar. Verktyget kan skadas.

## Välja arbetsläge (Fig. 6)

Detta verktyg använder sig av en bytesring för arbetsläge. Använd denna ring för att välja det av de tre lägena som bäst passar det arbete du ska utföra.

Endast för rotation gäller att ringen ska vridas, så att pilen på verktygskroppen pekar mot -markeringen på ringen. För rotation med slag vrids ringen så att pilen pekar mot -markeringen på ringen.

För rotation med koppling vrids ringen så att pilen pekar mot -markeringen på ringen.

## FÖRSIKTIGHET:

- Ställ alltid in ringen efter önskat läges markering. Om du använder verktyget med ringen placerad halvvägs mellan lägesmarkeringarna kan verktyget skadas.

## Justering av åtdragningsmomentet (Fig. 7)

Åtdragningsmomentet kan justeras i 16 steg genom att man vrider justeringsringen så att dess gradering är i linje med pilen på verktygskroppen. Åtdragningsmomentet är minimalt när siffran 1 är i linje med pilen, och maximalt när siffran 16 är i linje med pilen.

Innan du börjar arbeta ska du skriva i en provskruv i ditt material eller i ett stycke av samma material, så du vet vilket moment som passar för en viss applikation.

## MONTERING

### FÖRSIKTIGHET:

- Se alltid till att verktyget stängts av och att batterikassetten tagits loss, innan verktyget används.

## Montera eller demontera skruvbits eller borr (Fig. 8)

Vrid hylsan moturs för att öppna chucken. Montera bitset i chucken så långt in det går. Vrid hylsan medurs för att dra åt chucken.

Vrid hylsan moturs för att ta bort bitset.

## Hake (Fig. 9)

Haken är bra för att hänga verktyget temporärt. Den kan monteras på båda sidor av verktyget.

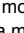
För att montera haken sätts den i verktygshölet på endera sidan, och dras fast med en skruv. Lossa skruven och ta bort den vid demontering.

## DRIFT

### Slagborrning

#### FÖRSIKTIGHET:

- En oerhörd och snabb, vridande kraft utsätter bitset/borren när hålet bryter igenom, när hålet blir fyllt av spån och partiklar, eller när man slår ner förstärkningar i cementen.

Vrid först justeringsringen så att pilen på verktygskroppen pekar mot -markeringen. Justeringsringen kan riktas in för alla momentnivåer för detta arbete.

Se till att en bits med topp av tungstenskarbid används.

Placera bitset där hålet ska vara och tryck sedan på avtryckaren.

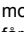
Forcera inte maskinen. Lätt tryck ger bäst resultat. Håll verktyget på plats och hindra det från att glida ur hålet.

Tryck inte hårdare när hålet blir fyllt med spån eller partiklar. Kör istället verktyget på tomgång och ta sedan ur bitset ur hålet delvis. Genom att upprepa detta flera gånger rensas hålet och normal borrning kan återupptas.

## Utblåsningskolv (tillbehör) (Fig. 10)

Efter borrning av hålet används utblåsningskolven för att blåsa rent hålet från damm.

## Skruvdragning (Fig. 11)

Vrid först justeringsringen så att pilen på verktygskroppen pekar mot -markeringen. Anpassa justeringsringen så att du får rätt åtdragningsmoment för ditt arbete. Fortsätt sedan enligt följande:

Placera spetsen på din skruvbits i skruvens skalle och tryck med verktyget. Starta verktyget sakta och öka sedan hastigheten gradvis. Släpp brytaren så fort kopplingen griper tag.

#### FÖRSIKTIGHET:


- Se till att skruvbitset placeras rakt i skruvskallen, annars kan skruven och/eller bitset skadas.

#### Obs!

- Vid skruvning i trä kan man borra små styrrhål, så att skruvdragningen blir enklare och träet inte spricker så lätt. Se tabellen.

Nominell diameter på träskruven (mm)	Rekommenderad storlek på styrhålet (mm)
3,1	2,0 - 2,2
3,5	2,2 - 2,5
3,8	2,5 - 2,8
4,5	2,9 - 3,2
4,8	3,1 - 3,4
5,1	3,3 - 3,6
5,5	3,7 - 3,9
5,8	4,0 - 4,2
6,1	4,2 - 4,4

## Borring

Vrid först justeringsringen så att pilen pekar på -markeringen. Fortsätt sedan enligt följande:

### FÖRSIKTIGHET:

- Borringen går inte fortare om man trycker extra mycket på verktyget. Detta extra tryck skadar bara toppen på ditt borr, sänker verktygets prestanda och kortar verktygets livslängd.
- Det utvecklas en enorm kraft på verktyget/borret vid hålgenomslaget. Håll i verktyget ordentligt och var försiktig när borret börjar komma igenom arbetsstycket.
- Ett borr som fastnat kan enkelt backas ur genom att man reverserar borringens rotationsriktning. Verktyget kan dock backa ur borret fort om du inte håller ordentligt i det.
- Fäst alltid små arbetsstycken i ett städ eller liknande infästningsenhet.
- Om verktyget används löpande tills batteriet är tomt, bör verktyget vila 15 minuter innan man fortsätter arbeta med ett laddat batteri.

### Borra i trä

Vid borring i trä uppnås bäst resultat om man borra med träborr som har en styrskruv. Styrskruven gör det enklare att borra genom att den drar borret in i arbetsstycket.

### Borra i metall

För att borret inte ska halka när man påbörjar ett hål kan man göra ett märke med en syl och en hammare i punkten där hålet ska borras. Placera borrets spets i sylens hål och påbörja borringen.

Använd ett smörjmedel vid borring i metall. Undantagen är järn och mässing som ska borras torrt.

## UNDERHÅLL

### FÖRSIKTIGHET:

- Se alltid till att verktyget är avstängt och att batterikassetten plockats ur innan inspektion eller underhåll utförs.

## Byte av kolborstar

Byt dem när de är slitna ner till slitagemarkeringen. Håll kolborstarna rena och fria för att de lätt skall kunna glida in i hållarna. Båda kolborstarna skall bytas ut samtidigt.

Använd endast identiska kolborstar. (Fig. 12)

Använd en skruvmejsel för att avlägsna två skruvar och det bakre höljet. (Fig. 13)

Hög fjäderarmen och placera den i den försänkta delen i höljet med en plattmejsel av finare typ. (Fig. 14)

Använd en tång för att ta bort locken till kolborstarna. Ta ur de utslitna kolborstarna, montera nya och sätt tillbaka kolborstarnas lock. (Fig. 15)

Se till att kolborstarnas lock kommit ordentligt på plats i kolhållarnas hål. (Fig. 16)

Sätt tillbaka höljet och dra åt de två skruvarna ordentligt.

För att upprätthålla produktens SÄKERHET och TILLFÖRLITLIGHET, bör allt underhålls- och justeringsarbete utföras av ett auktoriserat Makita servicecenter, med användning av reservdelar från Makita.

## TILLBEHÖR

### FÖRSIKTIGHET:

- Dessa tillbehör och tillsatser rekommenderas för användning tillsammans med din Makita-maskin som anges i denna bruksanvisning. Om andra tillbehör eller tillsatser används kan det uppstå risk för personskador. Använd endast tillbehören eller tillsatserna för de syften de är avsedda för.

Kontakta ditt lokala Makita servicecenter om du behöver hjälp med ytterligare information om dessa tillbehör.

- Borr
- Hammarbits med topp av tungstenskarbid
- Phillipsbits
- Spårbits
- Socketbits
- Utblåsningskolv
- Säkerhetsglasögon
- Olika typer av äkta batterier och laddare från Makita
- Hake
- Gummiplatta
- Bomullshätta
- Skumpoleringsdyna

Oversiktsforklaring

- |                       |                        |                     |
|-----------------------|------------------------|---------------------|
| 1. Batteri            | 9. Funksjonsvelger     | 17. Utsiftingsmerke |
| 2. Knapp              | 10. Pil                | 18. Bakre deksel    |
| 3. Rød del            | 11. Delestreker        | 19. Skruer          |
| 4. Startbryter        | 12. Hylse              | 20. Fjær            |
| 5. Lampe              | 13. Skrue              | 21. Arm             |
| 6. Reverseringsbryter | 14. Bøyle              | 22. Spor            |
| 7. Hastighetsvelger   | 15. Spor               | 23. Kullbørstehette |
| 8. Justeringsring     | 16. Utblåsningsballong | 24. Hull            |

## TEKNISKE DATA

Modell		BHP440	BHP450
Kapasitet	Betong	13 mm	
	Stål	13 mm	
	Tre	27 mm	
	Treskrue	ø 6,8 mm x 50 mm	
	Maskinskrue	M6	
Hastighet uten belastning (min <sup>-1</sup> )	Høy (2)	0 - 1.400	
	Lav (1)	0 - 400	
Slag i minuttet (min <sup>-1</sup> )	Høy (2)	0 - 21.000	
	Lav (1)	0 - 6.000	
Total lengde		204 mm	
Nettovekt		1,7 kg	1,8 kg
Merkespenning		DC 14,4 V	DC 18 V

- Som følge av vårt kontinuerlige forsknings- og utviklingsprogram kan de tekniske dataene endres uten ytterligere forvarsel.
- Merk: Tekniske data kan variere fra land til land.

**Riktig bruk**

Verktøyet er beregnet på å brukes med slagbor i mur, betong og sten, samt for boring uten slagbor i tre, metall, keramikk og plast.

**SPESIFIKKE SIKKERHETSREGLER**

**IKKE LA hensynet til hva som er "behagelig" eller det faktum at du kjenner produktet godt (etter mange gangers bruk) gjøre deg mindre oppmerksom på sikkerhetsreglene for bruken av slagboret. Hvis du bruker dette elektriske verktøyet på en farlig eller ukorrekt måte, kan du få alvorlige helseskader.**

1. **Bruk hørselvern ved bruk av slagbor.** Høy lyd kan forårsake redusert hørsel.
2. **Hold elektroverktøy i de isolerte håndtakene når du utfører en operasjon der skjærende deler kan komme i kontakt med skjulte ledninger eller ledningen til maskinen selv.** Kontakt med en strømførende ledning vil også gjøre uisolerte deler av maskinen strømførende og gi operatøren elektrisk støt.
3. **Forviss deg alltid om at du har godt fotfeste.** Forviss deg om at ingen står under deg når du jobber høyt over bakken.
4. **Hold verktøyet fast med begge hender.**
5. **Hold hendene unna roterende deler.**
6. **Ikke gå fra verktøyet mens det er i gang.** Verktøyet må bare brukes mens operatøren holder det i hendene.

- Ikke berør boret eller arbeidsstykket umiddelbart etter bruk. Disse vil da være ekstremt varme, og du kan få brannså.
- Enkelte materialer inneholder kjemikalier som kan være giftige. Treff tiltak for å hindre innånding av støv og hudkontakt. Følg leverandørens sikkerhetsanvisninger.

## TA VARE PÅ DISSE ANVISNINGENE.

### ADVARSEL:

MISBRUK av verktøyet eller mislighold av sikkerhetsreglene i denne brukerhåndboken kan resultere i alvorlige helseskader.

## VIKTIGE SIKKERHETSANVISNINGER FOR BATTERI

- Før du begynner å bruke batteriet, må du lese alle anvisninger og forsiktighetsregler på (1) batteriladeren, (2) batteriet og (3) det produktet batteriet skal brukes i.
- Ikke ta fra hverandre batteriet.
- Hvis driftstiden er blitt vesentlig kortere, må du omgående slutte å bruke verktøyet. Hvis ikke kan resultatet bli overoppheting, mulige forbrenninger eller til og med en eksplosjon.
- Hvis du får elektrolytt i øynene, må du skylle dem med store mengder rennende vann og oppsøke lege med én gang. Denne typen uhell kan føre til varig blindhet.
- Ikke kortslytt batteriet.
  - Ikke berør batteripolene med ledende materialer.
  - Ikke lagre batteriet i samme beholder som andre metallgjenstander, som for eksempel spiker, mynter osv.
  - Ikke la batteriet komme i kontakt med vann eller regn.

En kortslytning av batteriet kan føre til et kraftig strømstøt, overopphvarming, mulige forbrenninger og til og med til at batteriet går i stykker.

- Ikke lagre verktøyet og batteriet på steder hvor temperaturen kan komme opp i eller overskride 50 °C (122 °F).
- Ikke sett fyr på batteriet, ikke engang om det er sterkt skadet eller helt utslitt. Batteriet kan eksplodere hvis det begynner å brenne.
- Vær forsiktig så du ikke mister batteriet eller utsetter det for slag.

## TA VARE PÅ DISSE ANVISNINGENE.

### Tips for å opprettholde maksimal batterilevetid

- Lad batteriet igjen før det er fullstendig utladet. Hold alltid opp å bruke verktøyet når du merker at det er lite strøm på batteriet. Sett batteriet til lading.
- Et helt oppladet batteri må aldri settes til ny lading. Overopplading forkorter batteriets levetid.
- Lad opp batteriet ved romtemperatur, dvs. 10 °C - 40 °C (50 °F - 104 °F). Hvis batteriet er varmt, må det få avkjøle seg før lading.

## FUNKSJONSBEKRIVELSE

### FORSIKTIG:

- Forviss deg alltid om at maskinen er slått av og batteriet tatt ut før du justerer maskinen eller kontrollerer dens mekaniske funksjoner.

### Montere eller demontere batteriet (fig. 1)

- Verktøyet må alltid slås av før du setter inn eller tar ut batteriet.
- For å fjerne batteriet må du trekke det ut av verktøyet mens du skyver knappen på siden av batteriet.
- Når du skal sette inn batteriet, må du plassere tungen på batteriet på linje med sporet i huset og skyve batteriet på plass. Batteriet må alltid skyves helt inn til det går i inngrep med et lite klikk. Hvis du kan se den røde delen på oversiden av knappen, er det ikke gått skikkelig i lås. Sett batteriet helt inn, så langt at den røde delen ikke lenger er synlig. Hvis dette ikke gjøres, kan batteriet komme til å falle ut av verktøyet og skade deg eller andre som oppholder seg i nærheten.
- Ikke bruk makt når du setter inn batteriet. Hvis batteriet ikke glir lett inn, er det fordi det ikke settes inn på riktig måte.

### Bryterfunksjon (fig. 2)

#### FORSIKTIG:

- Før du setter batteriet inn i maskinen, må du alltid kontrollere at startbryteren aktiverer maskinen på riktig måte og går tilbake til "AV"-stilling når den slippes.
- For å starte maskinen må du ganske enkelt trykke på startbryteren. Hvis du trykker hardere på startbryteren, økes turtallet på maskinen. Slipp startbryteren for å stoppe maskinen.

### Tenne frontlampe (fig. 3)

#### FORSIKTIG:

- Ikke se inn i lyset eller se direkte på lyskilden. Trykk inn startbryteren for å tenne lampen. Lampen fortsetter å lyse så lenge startbryteren holdes inne. Lampen slukkes 10 til 15 sekunder etter at startbryteren er sluppet.

## MERK:

- Bruk en tørr klut til å tørke støv osv. av lampelinsen. Vær forsiktig så det ikke blir riper i lampelinsen, da dette kan redusere lysstyrken.

## Reverseringsfunksjon (fig. 4)

Dette verktøyet har en reverseringsbryter som kan brukes til å endre rotasjonsretningen. Trykk inn reverseringsbryteren fra "A"-siden for å velge rotasjon med klokken, eller fra "B"-siden for å velge rotasjon mot klokken.

Når reverseringsbryteren er i nøytral stilling, kan ikke startbryteren trykkes inn.

### FORSIKTIG:

- Før arbeidet begynner, må du alltid kontrollere rotasjonsretningen.
- Bruk reverseringsbryteren bare etter at verktøyet har stoppet helt. Hvis du endrer rotasjonsretningen før verktøyet har stoppet, kan det bli ødelagt.
- Når du ikke skal bruke maskinen lenger, må du alltid sette reverseringsbryteren i nøytral stilling.

## Turtallsendring (fig. 5)

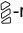
- For å endre hastigheten må du først slå av maskinen og så skyve hastighetsvelgeren til posisjon "2" for høy hastighet eller posisjon "1" for lav hastighet. Forviss deg om at hastighetsvelgeren er stilt inn på riktig posisjon for du begynner å bruke maskinen. Bruk riktig hastighet for den aktuelle jobben.

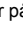
### FORSIKTIG:


- Hastighetsvelgeren må alltid settes i helt riktig stilling. Hvis du bruker maskinen med hastighetsvelgeren innstilt på et punkt midt mellom posisjon "1" og "2", kan maskinen bli ødelagt.
- Ikke bruk hastighetsvelgeren mens verktøyet er i bruk. Verktøyet kan bli ødelagt.

## Velge funksjonsmodus (fig. 3)

Denne maskinen er utstyrt med en funksjonsvelger. Velg den av de tre funksjonene (eller modi) jobben krever ved hjelp av denne funksjonsvelgeren.

Hvis du bare vil ha boring, må du vri funksjonsvelgeren til pilen på maskinhuset peker på -merket på velgeren (ringen).

Hvis du vil ha slagborfunksjon må du vri funksjonsvelgeren til pilen peker på -merket på velgeren (ringen).

Hvis du vil bore med clutch, må du vri funksjonsvelgeren til pilen peker på -merket på velgeren (ringen).

### FORSIKTIG:

- Funksjonsvelgeren må alltid stilles inn riktig på det ønskede funksjonsmerket. Hvis du bruker maskinen med funksjonsvelgeren halvveis mellom to av funksjonsmerkene, kan maskinen bli ødelagt.

## Justere tiltrekkingsmomentet (fig. 7)

Tiltrekkingsmomentet kan justeres i 16 trinn ved at justeringsringen dreies slik at delestrekene blir liggende på linje med pilen på maskinhuset. Dreiemomentet er

minimalt når tallet 1 er på linje med pilen, og maksimalt når tallet 16 er på linje med pilen.

Før den faktiske arbeidsoperasjonen skal utføres, bør du skru inn en prøveskrue i materialet ditt, eller i et materiale av samme type, for å finne ut hvilket dreiemoment som kreves for en bestemt anvendelse.

## MONTERING

### FORSIKTIG:

- Forviss deg alltid om at maskinen er slått av og batteriet tatt ut før du utfører noe arbeid på maskinen.

## Installere eller fjerne skrutrekkerbits eller bor (fig. 8)

Skru hylsen mot klokken for å åpne kjevene på kjoksen. Sett bitset så langt inn i kjoksen som det vil gå. Vri hylsen med klokken for å stramme kjoksen.

For å fjerne bitset må du vri hylsen mot klokken.

## Krok (fig. 9)

Kroken er praktisk å henge opp verktøyet med for kortere tid. Den kan monteres på begge sider av verktøyet.

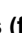
For å montere kroken må du sette den inn i sporet på en av sidene av verktøyhuset og feste den med en skrue. Ta den av igjen ved å løsne skruen.

## BRUK

### Slagborfunksjon

#### FORSIKTIG:

- Verktøyet/boret utsettes for voldsomme og plutselige vridninger ved gjennombruddet, når hullet fylles opp av biter og partikler, eller når du treffer armeringsjernet i betongen.

Først må du dreie funksjonsvelgeren slik at pilen på maskinhuset peker på -merket. Justeringsringen kan stilles inn på ethvert momentnivå for denne operasjonen.

Forviss deg om at du bruker et bor med wolframkarbidspiss.

Plasser boret der du vil bore hullet, og trykk så på startbryteren.

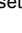
Ikke bruk makt på verktøyet. Lett trykk gir de beste resultatene. Hold verktøyet i riktig posisjon og hindre det i å gli bort fra hullet.

Legg ikke mer press på det når hullet fylles av biter eller partikler. I stedet må du la verktøyet gå på tomgang, og deretter ta boret delvis ut av hullet. Ved å gjenta dette flere ganger, vil hullet rengjøres, og normal boring kan gjenopptas.

## Utblåsningsballong (tilleggsutstyr) (fig. 10)

Etter at du har boret et hull, må du bruke utblåsningsballongen til å fjerne støv fra hullet.

## Skrutrekkerfunksjon (fig. 11)

Først må du dreie funksjonsvelgeren slik at pilen på maskinhuset peker på -merket. Bruk justeringsringen til



å stille inn korrekt dreiemoment for den jobben du skal gjøre. Fortsett deretter som følger.

Plasser spissen av skrutrekkerbitset i skruhodet og trykk ned på maskinen. Start verktøyet langsomt, og øk hastigheten gradvis. Slipp opp startbryteren når clutchen slår inn.

#### FORSIKTIG:

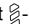
- Pass på at skrutrekkerbitset er satt rett ned i skruhodet, ellers kan skruen og/eller bitset bli skadet.

#### MERK:

- Når du bruker treskruer, bør du forhåndsbore for å gjøre det enklere å skru, og for å unngå sprekker i arbeidsstykket. Se diagrammet.

Nominell diameter for treskrue (mm)	Anbefalt størrelse på prøvehull (mm)
3,1	2,0 - 2,2
3,5	2,2 - 2,5
3,8	2,5 - 2,8
4,5	2,9 - 3,2
4,8	3,1 - 3,4
5,1	3,3 - 3,6
5,5	3,7 - 3,9
5,8	4,0 - 4,2
6,1	4,2 - 4,4

## Borfunksjon

Vri først justeringsringen slik at pilen peker mot -markeringen. Fortsett deretter som følger.

#### FORSIKTIG:

- Hvis du bruker for mye kraft på verktøyet, vil det ikke øke borehastigheten. Overdreven bruk av kraft vil tvert imot kunne bidra til å ødelegge spissen av boret, redusere verktøyeffekten og forkorte verktøyets levetid.
- I gjennombruddsøyeblikket virker det en enorm kraft på verktøyet/boret. Hold verktøyet i et fast grep, og vær forsiktig når boret begynner å bryte gjennom arbeidsstykket.
- Et bor som sitter fast kan fjernes hvis du setter reverseringsbryteren til motsatt rotasjonsretning, så verktøyet kan bakke ut. Verktøyet kan imidlertid komme brått ut hvis du ikke holder det i et fast grep.
- Små arbeidsstykker må alltid festes med en skrustikke eller en liknende festeanordning.
- Hvis verktøyet brukes kontinuerlig inntil batteriet er utladet, må du la verktøyet hvile i 15 minutter før du fortsetter med et nytt batteri.

#### Bore i tre

Når du borer i tre, blir resultatene best med trebor som er utstyrt med en ledeskrue. Ledeskruen forenkler boringen ved at den trekker boret inn i arbeidsstykket.

#### Bore i metall

For at ikke boret skal gli når du begynner å bore, må du lage en fordykning med en dor og en hammer der hulllet skal bores. Sett spissen av boret i fordypningen og begynn å bore.

Bruk en skjærevæske når du borer i metall. Unntakene er jern og messing som skal bores tørt.

## VEDLIKEHOLD

#### FORSIKTIG:

- Forviss deg alltid om at maskinen er slått av og batteriet tatt ut før du foretar inspeksjon eller vedlikehold.

#### Skifte kullbørster

Skift dem når de er slitt ned til utskiftingsmerket. Hold kullbørstene rene og fri til å bevege seg i holderne. Begge kullbørstene må skiftes samtidig. Bruk bare identiske kullbørster. (fig. 12)

Bruk en skrutrekker til å fjerne de to skruene, og ta deretter av det bakre dekselet. (fig. 13)

Løft fjærarmen og bruk en skrutrekker med bits med spor og smalt skaft til å plassere den i sporet i huset. (fig. 14)

Bruk en tang til å fjerne hettene fra kullbørstene. Ta ut de slitte karbonbørstene, sett i nye, og fest kullbørstehettene igjen i motsatt rekkefølge. (fig. 15)

Pass på at kullbørstehettene har kommet ordentlig inn i hullene i børsteholderne. (fig. 16)

Sett på plass det bakre dekselet og stram de to skruene godt.

For å opprettholde produktets SIKKERHET og PÅLITELIGHET, må reparasjoner, vedlikehold og justeringer utføres av Makitas autoriserte servicesentre, og det må alltid brukes reservedeler fra Makita.

## TILBEHØR

#### FORSIKTIG:

- Det anbefales at du bruker dette tilbehøret eller verktøyet sammen med det Makita-verktøyet som er spesifisert i denne håndboken. Bruk av annet tilbehør eller verktøy kan forårsake helseskader. Tilbehør og verktøy må kun brukes til det formålet det er beregnet på.

Ta kontakt med ditt lokale Makita-servicesenter hvis du trenger mer informasjon om dette tilbehøret.

- Bor
- Hammerbits med wolframkarbidspiss
- Phillips-bits
- Bits med spor
- Pipebits
- Utblåsningsballong
- Vernebriller
- Ulike typer ekte batterier og ladere fra Makita.
- Bøyle
- Støttetallerken
- Ullpolverhette
- Skumpolverhette

**Yleisnäkymän selitykset**

- |                                 |                               |                      |
|---------------------------------|-------------------------------|----------------------|
| 1. Akkupaketti                  | 9. Toimintatavan vaihtorengas | 17. Rajamerkki       |
| 2. Painike                      | 10. Nuoli                     | 18. Takakansi        |
| 3. Punainen osa                 | 11. Asteikko                  | 19. Ruuvit           |
| 4. Liipaisinkytkin              | 12. Holkki                    | 20. Jousi            |
| 5. Lamppu                       | 13. Ruuvi                     | 21. Varsi            |
| 6. Pyörimissuunnan vaihtokytkin | 14. Koukku                    | 22. Uputettu osa     |
| 7. Nopeudenvaihtokytkin         | 15. Ura                       | 23. Hiiliharjan kupu |
| 8. Säätörengas                  | 16. Puhallin                  | 24. Kolo             |

**TEKNISET TIEDOT**

Malli	BHP440	BHP450
Teho	Betoni	13 mm
	Teräs	13 mm
	Puu	27 mm
	Puuruuvi	ø 6,8 mm x 50 mm
	Koneruuvi	M6
Joutokäyntinopeus (min. <sup>-1</sup> )	Suuri (2)	0 - 1 400
	Pieni (1)	0 - 400
Iskuja minuutissa (min. <sup>-1</sup> )	Suuri (2)	0 - 21 000
	Pieni (1)	0 - 6 000
Kokonaispituus	204 mm	
Nettopaino	1,7 kg	1,8 kg
Käyttöjännite	DC 14,4 V	DC 18 V

- Jatkuvan tutkimus- ja kehitysohjelman vuoksi pidätämme oikeuden muuttaa tässä mainittuja teknisiä ominaisuuksia ilman ennakoilmoitusta.
- Huomaus: Tekniset ominaisuudet saattavat vaihdella eri maissa.

**Käyttötarkoitus**

Työkalu on tarkoitettu tiilien, betonin ja kiven iskuporaukseen sekä puun, metallin, keramiikan ja muovin tavanomaiseen poraukseen.

**LISÄTURVAOHJEITA**

**ÄLÄ anna tuotteen helppokäyttöisyyden tai toistuvan käytön tuudittaa sinua väärään turvallisuuden tunteeseen niin, että laiminlyöt iskuporausta koskevien ohjeiden noudattamisen. Jos tätä sähkötyökalua käytetään varomattomasti tai väärin, seurauksena voi olla vakava henkilövahinko.**

1. Käytä iskuporauksen aikana kuulosuojaimia. Melulle altistuminen voi aiheuttaa kuulovaurioita.
2. Pidä sähkötyökalua eristetyistä tartuntapinnoista tehdesäsi työtä, jossa työkalu voi joutua kosketuksiin piilossa olevan johdon tai oman virtajohtonsa kanssa. Osuminen jännitteeseen johtoon saa paljaat metalliosat jännitteisiksi ja aiheuttaa käyttäjälle sähköiskun.
3. Varmista aina, että seisot tukevasti. Jos työskentelet korkealla, varmista, ettei ketään ole alapuolella.
4. Pidä työkalusta lujasti molemmin käsin.
5. Pidä kädet loitolla pyörivistä osista.
6. Älä laske pyörivää laitetta käsistäsi. Käytä laitetta vain silloin, kun pidät sitä kädessä.
7. Älä kosketa terää tai työkalualetta välittömästi käytön jälkeen, sillä ne voivat olla erittäin kuumia ja saattavat polttaa ihoa.

8. Eräät materiaalit sisältävät kemikaaleja, jotka voivat olla myrkyllisiä. Huolehdi siitä, että pölyn hengittäminen ja ihokosketus estetään. Noudata materiaalin toimittajan turvaohjeita.

## SÄILYTÄ NÄMÄ OHJEET

### VAROITUS:

**VÄÄRINKÄYTTÖ** tai tässä käyttöohjeessa ilmoitettujen turvallisuusmääräysten laiminlyönti voi aiheuttaa vakavia henkilövahinkoja.

## AKKUPAKETTIA KOSKEVIA TÄRKEITÄ TURVAOHJEITA

1. Ennen kuin otat akkupaketin käyttöön, tutustu kaikkiin laturissa (1), akussa (2) ja akkua käyttävässä tuotteessa (3) oleviin varoitusteksteihin.
2. Älä pura akkupakettia.
3. Jos akun toiminta-aika lyhenee merkittävästi, lopeta akun käyttö. Seurauksena voi olla ylikuumentuminen, palovammoja tai jopa räjähdys.
4. Jos akkuneustettua pääsee silmiin, huuhtele puhtaalla vedellä ja hakeudu välittömästi lääkärin hoitoon. Seurauksena voi olla sokeutuminen.
5. Älä saata akkupakettia oikosulkuun.
  - (1) Älä koske akun napoihin millään sähköä johtavalla materiaalilla.
  - (2) Älä säilytä akkupakettia yhdessä muiden metalliesineiden, kuten naulojen, kolikoiden yms. kanssa.
  - (3) Älä aseta akkua alttiiksi vedelle tai sadeilmalle. Akun oikosulku voi aiheuttaa voimakkaan sähkövirran, mahdollisia palovammoja ja jopa laitteen rikkoutumisen.
6. Älä säilytä työkalua ja akkupakettia paikassa, jossa lämpötila voi nousta 50 °C:een tai sitäkin korkeammaksi.
7. Älä hävitä akkupakettia polttamalla, vaikka se olisi pahoin vaurioitunut tai täysin loppuun kulunut. Avotuli voi saada akkupaketin räjähtämään.
8. Varo kolhimasta tai pudottamasta akkua.

## SÄILYTÄ NÄMÄ OHJEET

### Vinkkejä akun käyttöäsi pidentämiseksi

1. Lataa akku ennen kuin se ehtii purkautua kokonaan. Lopeta työkalun käyttö ja lataa akku aina, kun huomaat tehon heikkenevän.
2. Älä koskaan lataa täynnä olevaa akkua. Ylilataus lyhentää akun käyttöikää.
3. Lataa akkupaketti huoneenlämmössä 10 °C - 40 °C. Anna kuuman akkupaketin jäähtyä ennen latausta.

## TOIMINTAKUVAUS

### HUOMIO:

- Varmista aina, että työkalu on sammutettu ja akkupaketti irrotettu ennen työkalun säätöjä ja tarkastuksia.

### Akkupaketin kiinnitys ja irrotus (kuva 1)

- Katkaise työkalusta aina virta ennen akkupaketin kiinnitystä tai irrotusta.
- Irrota akkupaketti vetämällä samalla, kun työnnettä kasetin sivussa olevaa painiketta.
- Kiinnitä akkupaketti sovitamalla akkupaketin kielele vaipan uraan ja työnnä paikoilleen. Työnnä akkupaketti aina pohjaan asti niin, että kuulet sen napsahdavan paikoilleen. Jos painikkeen yläpuolella näkyy yhtään punaista, akkupaketti ei ole lukkiutunut täysin paikoilleen. Työnnä se pohjaan asti, niin että punaista ei enää näy. Jos akku ei ole kunnolla paikoillaan, se voi pudota työkalusta ja aiheuttaa vammoja joko sinulle tai sivullisille.
- Älä käytä voimaa, kun kiinnität akkupakettia paikoilleen. Jos akkupaketti ei mene paikoilleen helposti, se on väärässä asennossa.

### Kytkimen toiminta (kuva 2)

#### HUOMIO:

- Tarkista aina ennen akkupaketin kiinnittämistä työkaluun, että liipaisinkytkin kytkeytyy oikein ja palaa OFF-asentoon, kun se vapautetaan.
- Käynnistä työkalu painamalla liipaisinkytkintä. Mitä voimakkaammin kytkintä painetaan, sitä nopeammin terä pyörii. Voit pysäyttää koneen vapauttamalla liipaisinkytkimen.

### Etulampun sytyys (kuva 3)

#### HUOMIO:

- Älä katso lampun tai suoraan valonlähteeseen. Lamppu syttyy, kun painat liipaisinkytkintä. Lamppu palaa niin kauan kuin liipaisinkytkin on alas painettuna. Lamppu sammuu 10 - 15 sekunnin kuluttua liipaisinkytkimen vapauttamisesta.

#### HUOMAUTUS:

- Pyyhi lika pois lampun linssistä kuivalla liinalla. Älä naarmuta lampun linssiä, sillä sen valaistusteho voi laskea.

### Pyörimissuunnan vaihtokytkimen toiminta (kuva 4)

Työkalussa on pyörimissuunnan vaihtokytkin. Jos haluat koneen pyöriä myötäpäivään, paina vaihtokytkintä A-puolelta, ja jos vastapäivään, paina sitä B-puolelta.

Jos pyörimissuunnan vaihtokytkin on keskiasennossa, liipaisinkytkin ei toimi.

#### HUOMIO:

- Tarkista aina pyörimissuunta ennen käyttöä.
- Käytä pyörimissuunnan vaihtokytkintä vasta sen jälkeen, kun kone on lakannut kokonaan pyörimästä.

Pyörimissuunnan vaihto koneen vielä pyöriessä voi vahingoittaa sitä.

- Aina kun konetta ei käytetä, käännä pyörimissuunnan vaihtokytkin keskiasentoon.

## Nopeuden säätö (kuva 5)


- Voit säätää työkalun pyörimisnopeutta sammuttamalla koneen ja työntämällä sen jälkeen nopeudenvaihtokytkimen asentoon 2 (nopea) tai 1 (hidas). Varmista ennen käyttöä, että nopeudenvaihtokytkin on halutussa asennossa. Käytä aina työn edellyttämää nopeutta.


### HUOMIO:


- Siirrä nopeudenvaihtokytkin aina täysin jompaankumpaan asentoon. Jos käytät työkalua niin, että nopeudenvaihtokytkin on 1- ja 2-asennon puolivälissä, työkalu voi rikkoutua.
- Älä koske nopeudenvaihtokytkimeen, kun työkalu on käynnissä. Se voi rikkoutua.

## Toimintatavan valinta (kuva 6)

Työkalussa on rengas, jonka avulla voidaan valita toimintatapa. Valitse renkaan avulla jonkin kolmesta toimintatavasta suoritettavan työn mukaan.

Jos haluat työkalun vain pyörivän, käännä rengasta niin, että työkalun vaipassa oleva nuoli on renkaan merkin  kohdalla.

Jos haluat käyttää iskuporatoimintoa, käännä rengasta niin, että työkalun vaipassa oleva nuoli on renkaan merkin  kohdalla.

Jos haluat työkalun pyörivän ja laittaa myös luistokytkimen päälle, käännä rengasta niin, että työkalun vaipassa oleva nuoli on renkaan merkin  kohdalla.

### HUOMIO:

- Käännä rengas aina halutun toimintatavan kohdalle. Jos käytät työkalua niin, että renkaan asento on kahden toimintatavan merkin puolivälissä, työkalu voi rikkoutua.

## Kiristysmomentin säätö (kuva 7)

Kiristysmomentin asetuksia on 16. Momentti valitaan säätörenkaalla niin, että haluttu asteikon arvo tulee työkalun vaipan nuolen kohdalla. Kiristysmomentti on pienimmillään silloin, kun nuolen kohdalla on numero 1, ja suurimmillaan silloin, kun nuolen kohdalla on 16.

Ennen varsinaisen työn suorittamista, ruuvaa koeruuvi materiaaliin tai vastaavaan kappaleeseen, jolloin voit tarkistaa sopivan kiristysmomentin.

## KOKOONPANO

### HUOMIO:

- Varmista aina, että työkalu on sammutettu ja akkupaketti irrotettu ennen työkalun säätöjä ja tarkastuksia.

## Ruuvauksjärjen ja poranterän kiinnitys ja irrotus (kuva 8)

Avaa istukan leuat kääntämällä holkkia vastapäivään. Työnnä terä niin syvälle istukkaan kuin se menee. Kiristä istukan leuat kääntämällä holkkia myötäpäivään.

Irrota terä kääntämällä holkkia vastapäivään.

## Koukku (kuva 9)

Työkalu voidaan kätevästi ripustaa väliaikaisesti koukusta. Koukku voidaan asentaa kummalle puolelle työkalua tahansa.


Asenna koukku työntämällä se työkalun vaipan uraan jommallekummalle puolelle ja varmista kiinnitys ruuvilla. Voit irrottaa koukun avaamalla ruuvin.

## KÄYTTÖ

### Iskuporaus

#### HUOMIO:

- Työkaluun/terään kohdistuu valtava voima, kun terä menee läpi työkappaleesta, kun reikä tukkeutuu lastuista ja purusta tai kun terä osuu betonirauδοitukseen.

Käännä ensin toimintatavan valintarengas niin, että työkalun vaipan nuoli osoittaa merkkiin . Säätörengas voidaan tällöin asettaa mille tahansa kiristysmomentille.

Käytä volframiinikarbidikärjellä varustettua terää.

Aseta poranterä haluttuun kohtaan ja paina liipaisinkytkintä.


Älä käytä tarpeetonta voimaa. Kevyt paine takaa parhaan lopputuloksen. Pidä työkalu oikeassa asennossa ja estä sitä luiskahtamasta syrjään.

Älä käytä voimaa, kun reikä tukkeutuu lastuista ja purusta. Anna sen sijaan koneen käydä hetki joutokäynnillä ja vedä terä osittain ulos rei'ästä. Toista tämä useamman kerran, jolloin reikä puhdistuu, ja voit jatkaa poraamista.

## Puhallin (lisävaruste) (kuva 10)

Porauksen jälkeen puhdista pöly rei'ästä puhaltimella.

## Ruuvaus (kuva 11)

Käännä ensin toimintatavan valintarengas niin, että työkalun vaipan nuoli osoittaa merkkiin . Säädä kiristysmomentti sopivaksi säätörenkaan avulla. Tee sitten näin.

Aseta ruuvauksjärjen pää ruuvin kantaan ja paina kärkeä ruuvia vasten. Käynnistä työkalu varovasti ja lisää nopeutta asteittain. Vapauta liipaisinkytkin heti, kun kytkin alkaa luistaa.

#### HUOMIO:


- Varmista, että ruuvauksjärjen pää on suorassa kulmassa ruuvin kantaan nähden, jotta ruuvi ja/tai kärki ei vahingoitu.

## HUOMAUTUS:

- Kun kiinnität ruuveja puuhun, tee ensin aloitusreiikä, jolloin ruuvaaminen sujuu helpommin eikä puu halkea. Katso kuva.

Puuruuvun nimellishalkaisija (mm)	Aloitusreiän kokosuositus (mm)
3,1	2,0 - 2,2
3,5	2,2 - 2,5
3,8	2,5 - 2,8
4,5	2,9 - 3,2
4,8	3,1 - 3,4
5,1	3,3 - 3,6
5,5	3,7 - 3,9
5,8	4,0 - 4,2
6,1	4,2 - 4,4

## Poraaminen

Käännä ensin säätörengasta niin, että osoitin on merkinnän  kohdalla. Tee sitten näin.

### HUOMIO:

- Työkalan painaminen liian voimakkaasti alustaan ei nopeuta poraamista. Päinvastoin: liiallinen paine vain tylyyttää poranterää, hidastaa työtä ja lyhentää työkalun käyttöikää.
- Työkaluun/terään kohdistuu valtava voima, kun terä menee läpi. Pidä työkalu tukevassa otteessa ja ole varovainen, kun terä alkaa tulla läpi työkappaleesta.
- Kiinni juuttunut terä irrotetaan helposti vaihtamalla terän pyörimissuuntaa ja peruuttamalla. Pidä kuitenkin työkalusta lujasti kiinni, sillä se voi tökätä taaksepäin yllättävästi.
- Kiinnität pienet työkappaleet aina viilapenkkiin tai vastaavaan pidikkeeseen.
- Jos työkalua käytetään jatkuvasti, kunnes akkupaketti purkautuu, anna työkalun seisoa 15 minuuttia ennen kuin jatkat työskentelyä uudella akulla.

### Puun poraaminen

Puuta porattaessa paras lopputulos saadaan ohjausruuvilla varustetuilla puuruuveilla. Ohjausruuvi helpottaa poraamista vetämällä poranterän työkappaleeseen.

### Metallin poraaminen

Jotta poranterä ei pääse luiskahtamaan syrjään porauksen aluksi, tee ensin porauskohtaan pieni kolo punssilla ja vasaralla. Aseta poran kärki koloon ja aloita poraus.

Käytä metallia poratessasi leikkuuöljyä. Poikkeuksena ovat rauta ja messinki, joita porataan kuivana.

## HUOLTO

### HUOMIO:

- Varmista aina, että työkalu on sammutettu ja akkupaketti irrotettu ennen tarkastusta tai huoltoa.

## Hiiliharjojen vaihtaminen

Vaihda harjat, kun ne ovat kuluneet merkittävästi. Pidä hiiliharjat puhtaina ja varmista, että ne pääsevät liukumaan vapaasti pidikkeissään. Molemmat hiiliharjat on vaihdettava yhtä aikaa. Käytä vain identtisiä hiiliharjoja.

### (kuva 12)

Irrota takakansi ruuvitaltalla avaamalla molemmat ruuvit.

### (kuva 13)

Nosta jousen varsi osaa ja aseta se vaipan koloon pitkäkartisella ruuvitaltalla tai vastaavalla. (kuva 14)

Irrota hiiliharjojen kuvat pihdeillä. Irrota kuluneet hiiliharjat, aseta uudet paikoilleen, ja kiinnitä hiiliharjojen kuvat.

### (kuva 15)

Varmista, että hiiliharjojen kuvat menevät oikein harjanpidikkeiden reikiin. (kuva 16)

Aseta takakansi paikoilleen ja kiristä molemmat ruuvit huolellisesti.

Tuotteen TURVALLISUUDEN ja LUOTETTAVUUDEN säilyttämiseksi Makitan valtuutetun huoltokeskuksen tulee suorittaa korjaukset sekä muut huolto- tai säätötyöt Makitan varaosia käyttäen.

## LISÄVARUSTEET

### HUOMIO:

- Näitä lisävarusteita tai lisälaitteita suositellaan käytettäväksi tässä ohjeessa kuvatun Makita-työkalan kanssa. Muiden lisävarusteiden tai lisälaitteiden käyttö voi aiheuttaa henkilövahinkojen vaaran. Käytä lisävarustetta tai lisälaitetta vain sen ilmoitettuun käyttötarkoitukseen.

Jos tarvitset lisätietoja näistä lisävarusteista, ota yhteys paikalliseen Makita-huoltokeskukseen.

- Poranterät
- Volframikarbidikärjellä varustettu iskuporaterä
- Philips-ruuvauskärki
- Uratalta
- Kolokantaterä
- Puhallin
- Suojalasit
- Erilaisia alkuperäisiä Makita-akkuja ja latureita
- Koukku
- Kumityynynsarja
- Villatyyny
- Vaahtokiillotustyyny

**Περιγραφή γενικής όψης**

- |                             |                                    |                         |
|-----------------------------|------------------------------------|-------------------------|
| 1. Μπαταρία                 | 9. Δακτύλιος αλλαγής τρόπου δράσης | 17. Ένδειξη ορίου       |
| 2. Κουμπί                   | 10. Βέλος                          | 18. Πίσω κάλυμμα        |
| 3. Κόκκινο τμήμα            | 11. Διαβαθμίσεις                   | 19. Βίδες               |
| 4. Σκανδάλη-διακόπτης       | 12. Περιβλήμα                      | 20. Ελατήριο            |
| 5. Λάμπα                    | 13. Βίδα                           | 21. Βραχίονας           |
| 6. Αναστροφικό              | 14. Γάντζος                        | 22. Τμήμα με εγκοπή     |
| 7. Μοχλός αλλαγής ταχύτητας | 15. Αυλάκι                         | 23. Καπάκι καρβουνακιού |
| 8. Δακτύλιος ρύθμισης       | 16. Φυσητήρι                       | 24. Οπή                 |

**ΤΕΧΝΙΚΑ ΧΑΡΑΚΤΗΡΙΣΤΙΚΑ**

Μοντέλο		BHP440	BHP450
Δυνατότητες	Τσιμέντο	13 mm	
	Ατσάλι	13 mm	
	Ξύλο	27 mm	
	Ξυλόβιδα	ψ 6,8 mm x 50 mm	
	Μηχανική βίδα	M6	
Ταχύτητα χωρίς φόρτο (min <sup>-1</sup> )	Υψηλή (2)	0 - 1.400	
	Χαμηλή (1)	0 - 400	
Κρούσεις το λεπτό (min <sup>-1</sup> )	Υψηλή (2)	0 - 21.000	
	Χαμηλή (1)	0 - 6.000	
Ολικό μήκος		204 mm	
Καθαρό βάρος		1,7 kg	1,8 kg
Ονομαστική τάση		D.C. 14.4 V	D.C. 18 V

- Λόγω του συνεχόμενου προγράμματος που εφαρμόζουμε για έρευνα και ανάπτυξη, τα τεχνικά χαρακτηριστικά στο παρόν έντυπο υπόκεινται σε αλλαγή χωρίς προειδοποίηση.
- Παρατήρηση: Τα τεχνικά χαρακτηριστικά μπορεί να διαφέρουν από χώρα σε χώρα.

**Προοριζόμενη χρήση**

Το εργαλείο προορίζεται για κρουστικό τρυπάνισμα σε τούβλα, τσιμέντο και πέτρα, καθώς και για τρυπάνισμα, όχι κρουστικό, σε ξύλο, μέταλλο, κεραμικό και πλαστικό.

**ΕΙΔΙΚΟΙ ΚΑΝΟΝΕΣ ΑΣΦΑΛΕΙΑΣ**

**ΜΗΝ επιτρέψετε στη βολικότητα ή στην εξοικειώσή σας με το προϊόν (που αποκτήθηκε από επανειλημμένη χρήση) να αντικαταστήσει την αυστηρή προσηλωση στους κανόνες ασφάλειας του κρουστικού τρυπανιού. Αν χρησιμοποιήσετε το ηλεκτρικό εργαλείο αυτό με ανασφαλές ή λανθασμένο τρόπο, μπορεί να υποστείτε σοβαρό προσωπικό τραυματισμό.**

1. **Να φοράτε ωτοασπίδες όταν χρησιμοποιείτε κρουστικά τρυπάνια.** Η έκθεση σε θόρυβο μπορεί να προκαλέσει απώλεια ακοής.
2. **Κρατάτε τα ηλεκτρικά εργαλεία από τις λαβές με μόνωση όταν εκτελείτε εργασίες κατά τις οποίες το κοπτικό εργαλείο μπορεί να έρθει σε επαφή με κρυμμένα καλώδια ή με το ίδιο του το καλώδιο.** Αν το εργαλείο έρθει σε επαφή με κάποιο ηλεκτροφόρο καλώδιο, μπορεί τα εκτεθειμένα μεταλλικά μέρη του εργαλείου να γίνουν κι αυτά ηλεκτροφόρα και να προκληθεί ηλεκτροπληξία στο χειριστή.
3. **Να βεβαιώνετε πάντοτε ότι στέκεστε σταθερά. Όταν χρησιμοποιείτε το εργαλείο σε υψηλές**

τοποθεσίες, να βεβαιώνετε ότι δεν βρίσκεται κανένας από κάτω.

4. Να κρατάτε το εργαλείο γερά και με τα δύο χέρια.
5. Μην πλησιάζετε τα χέρια σας σε περιστρεφόμενα μέρη.
6. Μην αφήνετε το εργαλείο σε λειτουργία. Το εργαλείο πρέπει να βρίσκεται σε λειτουργία μόνο όταν το κρατάτε.
7. Μην αγγίζετε τη μύτη ή το τεμάχιο εργασίας αμέσως μετά τη λειτουργία του εργαλείου. Μπορεί να είναι εξαιρετικά θερμά και να προκληθεί έγκαυμα στο δέρμα σας.
8. Μερικά υλικά περιέχουν χημικές ουσίες που μπορεί να είναι τοξικές. Προσέχετε ώστε να αποφεύγετε την εισπνοή της σκόνης και την επαφή με το δέρμα. Ακολουθείτε τα δεδομένα ασφάλειας υλικού που παρέχονται από τον προμηθευτή.

## ΦΥΛΑΞΤΕ ΑΥΤΕΣ ΤΙΣ ΟΔΗΓΙΕΣ.

### ΠΡΟΕΙΔΟΠΟΙΗΣΗ:

Η ΛΑΝΘΑΣΜΕΝΗ ΧΡΗΣΗ ή η αμέλεια να ακολουθήσετε τους κανόνες ασφάλειας που διατυπώνονται στο παρόν εγχειρίδιο οδηγιών μπορεί να προκαλέσει σοβαρό προσωπικό τραυματισμό.

## ΣΗΜΑΝΤΙΚΕΣ ΟΔΗΓΙΕΣ ΑΣΦΑΛΕΙΑΣ ΓΙΑ ΤΗΝ ΜΠΑΤΑΡΙΑ

1. Πριν χρησιμοποιήσετε την μπαταρία, διαβάστε όλες τις οδηγίες και τις ενδείξεις προφύλαξης στο (1) φορτιστή μπαταρίας, (2) την μπαταρία και (3) το προϊόν στο οποίο χρησιμοποιείται η μπαταρία.
2. Μην αποσυναρμολογείτε την μπαταρία.
3. Εάν ο χρόνος λειτουργίας της μπαταρίας είναι υπερβολικά σύντομος, διακόψτε αμέσως τη λειτουργία. Εάν συνεχίσετε, μπορεί να έχει ως αποτέλεσμα κίνδυνο υπερθέρμανσης, πιθανών εγκαυμάτων κι ακόμη έκρηξης.
4. Αν μπει στα μάτια σας ηλεκτρολύτης, ξεπλύνετε με καθαρό νερό και αναζητήστε αμέσως ιατρική βοήθεια. Μπορεί να χάσετε την όρασή σας.
5. Μη βραχυκυκλώνετε την μπαταρία:
  - (1) Μην αγγίζετε τους ακροδέκτες με αγώγιμο υλικό.
  - (2) Μην αποθηκεύετε την μπαταρία σε δοχείο με άλλα μεταλλικά αντικείμενα, όπως καρφιά, νομίσματα, κτλ.
  - (3) Μην εκθέτετε την μπαταρία σε νερό ή βροχή. Αν βραχυκυκλωθεί η μπαταρία, μπορεί να προκληθεί μεγάλη ροή ηλεκτρικού ρεύματος, υπερθέρμανση, πιθανά εγκαύματα και ακόμη καταστροφή της μπαταρίας.
6. Μην αποθηκεύετε το εργαλείο και την μπαταρία σε μέρη όπου η θερμοκρασία μπορεί να φτάσει ή να ξεπεράσει τους 50°C (122°F).
7. Μην αποτεφρώνετε την μπαταρία ακόμη κι αν παρουσιάζει σοβαρή ζημιά ή είναι εντελώς

φθαράμενη. Η μπαταρία μπορεί να εκραγεί σε φωτιά.

8. Να προσέχετε να μη σας πέσει η μπαταρία και να μη συγκρουστεί με κάποιο αντικείμενο.

## ΦΥΛΑΞΤΕ ΑΥΤΕΣ ΤΙΣ ΟΔΗΓΙΕΣ.

### Συμβουλές για τη διατήρηση της μέγιστης ζωής της μπαταρίας

1. Να φορτίζετε την μπαταρία πριν αποφορτιστεί εντελώς. Πάντοτε να διακόπτετε τη λειτουργία του εργαλείου και να φορτίζετε την μπαταρία όταν παρατηρείται μειωμένη ισχύς του εργαλείου.
2. Ποτέ μην επαναφορτίζετε μια πλήρως φορτισμένη μπαταρία. Εάν υπερφορτίσετε την μπαταρία, μειώνεται η ωφέλιμη διάρκεια ζωής της.
3. Να φορτίζετε την μπαταρία σε θερμοκρασία δωματίου, δηλαδή στους 10°C έως 40°C (50°F έως 104°F). Αν η μπαταρία είναι θερμή, αφήστε την να ψυχθεί πριν τη φορτίσετε.

## ΠΕΡΙΓΡΑΦΗ ΛΕΙΤΟΥΡΓΙΑΣ

### ΠΡΟΣΟΧΗ:

- Να βεβαιώνετε πάντοτε ότι είναι σβηστό το εργαλείο και αφαιρέσατε την μπαταρία πριν ρυθμίσετε ή ελέγξετε κάποια λειτουργία του εργαλείου.

### Τοποθέτηση ή αφαίρεση της μπαταρίας (Εικ. 1)

- Πάντοτε να σβήνετε το εργαλείο πριν βάλετε ή βγάλετε την μπαταρία.
- Για να βγάλετε την μπαταρία, τραβήξτε την από το εργαλείο καθώς σύρετε το κουμπί στο πλαϊνό της μπαταρίας.
- Για να τοποθετήσετε την μπαταρία, ευθυγραμμίστε τη γλωττίδα στην μπαταρία με την εγκοπή στο περίβλημα και ολισθήστε τη στη θέση της. Πάντοτε να την τοποθετείτε έως το τέρμα, δηλαδή έως ότου ασφαλίσει στη θέση και ακουστεί ένας χαρακτηριστικός ήχος («κλικ»). Εάν φαίνεται το κόκκινο τμήμα στην άνω πλευρά του κουμπιού, δεν είναι πλήρως ασφαλισμένη. Εισάγετέ την πλήρως για να μη φαίνεται το κόκκινο τμήμα. Σε αντίθετη περίπτωση, μπορεί να πέσει κατά λάθος από το εργαλείο και να τραυματίσει εσάς ή κάποιον παρευρισκόμενο.
- Μη χρησιμοποιείτε δύναμη όταν τοποθετείτε την μπαταρία. Αν η μπαταρία δεν ολισθαίνει με ευκολία, δεν την εισάγετε σωστά.

### Δράση διακόπτη (Εικ. 2)

#### ΠΡΟΣΟΧΗ:

- Πριν βάλετε την μπαταρία στο εργαλείο, πάντοτε να ελέγχετε ότι η σκανδάλη-διακόπτης ενεργοποιείται κανονικά και επιστρέφει στη θέση OFF όταν την αφήνετε.

Για να ξεκινήσετε το εργαλείο, απλώς πατήστε τη σκανδάλη-διακόπτη. Αν αυξήσετε την πίεση στη σκανδάλη-διακόπτη, αυξάνεται η ταχύτητα του εργαλείου. Για να σταματήσετε, αφήστε τη σκανδάλη-διακόπτη.

### **Άναμμα της μπροστινής λάμπας (Εικ. 3)**

#### **ΠΡΟΣΟΧΗ:**

- Μην κοιτάτε κατευθείαν μέσα στο φως ή στην πηγή φωτός.

Τραβήξτε τη σκανδάλη-διακόπτη για να ανάψετε τη λάμπα. Η λάμπα εξακολουθεί να είναι αναμμένη όσο τραβάτε τη σκανδάλη-διακόπτη. Η λάμπα σβήνει 10 έως 15 δευτερόλεπτα αφού αφήσετε τη σκανδάλη.

#### **ΠΑΡΑΤΗΡΗΣΗ:**

- Χρησιμοποιήστε ένα στεγνό πανί για να σκουπίσετε τη σκόνη από το φακό της λάμπας. Προσέχετε να μη γρατσουνίσετε το φακό της λάμπας, επειδή μπορεί να μειωθεί η ένταση του φωτισμού.

### **Ανάστροφη δράση διακόπτη (Εικ. 4)**

Το εργαλείο αυτό διαθέτει αναστροφικό για να αλλάζει η κατεύθυνση περιστροφής. Πατήστε το αναστροφικό από την πλευρά Α για δεξιόστροφη περιστροφή ή από την πλευρά Β για αριστερόστροφη περιστροφή.

Όταν το αναστροφικό βρίσκεται στην ουδέτερη θέση, δεν μπορείτε να τραβήξετε τη σκανδάλη-διακόπτη.

#### **ΠΡΟΣΟΧΗ:**

- Πριν από τη λειτουργία, να ελέγχετε πάντοτε την κατεύθυνση περιστροφής.
- Χρησιμοποιήστε το αναστροφικό μόνο όταν το εργαλείο είναι εντελώς ακινητοποιημένο. Αν αλλάξετε την κατεύθυνση περιστροφής πριν ακινητοποιηθεί το εργαλείο, μπορεί να προκληθεί βλάβη στο εργαλείο.
- Όταν δεν χειρίζεστε το εργαλείο, να βάζετε πάντοτε το αναστροφικό στην ουδέτερη θέση.

### **Αλλαγή ταχύτητας (Εικ. 5)**

- Για να αλλάξετε την ταχύτητα, σήσητε πρώτα το εργαλείο και κατόπιν ολισθήστε το μοχλό αλλαγής ταχύτητας στην πλευρά «2» για υψηλή ταχύτητα ή στην πλευρά «1» για χαμηλή ταχύτητα. Πριν από τη λειτουργία, βεβαιωθείτε ότι ο μοχλός αλλαγής ταχύτητας είναι ρυθμισμένος στη σωστή θέση. Να χρησιμοποιείτε τη σωστή ταχύτητα, ανάλογα με την εργασία σας.


#### **ΠΡΟΣΟΧΗ:**

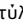
- Να ρυθμίζετε πάντοτε το μοχλό αλλαγής ταχύτητας πλήρως στη σωστή θέση. Αν χειρίζεστε το εργαλείο όταν ο μοχλός αλλαγής ταχύτητας βρίσκεται ανάμεσα από την πλευρά «1» και την πλευρά «2», μπορεί να προκληθεί βλάβη στο εργαλείο.

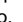
- Μη χρησιμοποιείτε το μοχλό αλλαγής ταχύτητας όταν λειτουργεί το εργαλείο. Μπορεί να προκληθεί βλάβη στο εργαλείο.

### **Επιλογή του τρόπου δράσης (Εικ. 6)**

Το εργαλείο αυτό χρησιμοποιεί ένα δακτύλιο αλλαγής τρόπου δράσης. Επιλέξτε με το δακτύλιο αυτό έναν από τους τρεις τρόπους, ο οποίος είναι κατάλληλος για την εργασία σας.

Για περιστροφή μόνο, στρέψτε το δακτύλιο ώστε το βέλος στο κύριο σώμα του εργαλείου να δείχνει στην ένδειξη  στο δακτύλιο.

Για περιστροφή με κρουστική δράση, στρέψτε το δακτύλιο ώστε το βέλος να δείχνει στην ένδειξη  στο δακτύλιο.

Για περιστροφή με σφιγκτήρα, στρέψτε το δακτύλιο ώστε το βέλος να δείχνει στην ένδειξη  στο δακτύλιο.

#### **ΠΡΟΣΟΧΗ:**

- Να ρυθμίζετε πάντοτε το δακτύλιο σωστά στην ένδειξη για τον τρόπο δράσης που θέλετε. Εάν θέσετε το εργαλείο σε λειτουργία με το δακτύλιο τοποθετημένο μεταξύ των ενδείξεων τρόπου δράσης, μπορεί να προκληθεί βλάβη στο εργαλείο.

### **Ρύθμιση της ροπής στερέωσης (Εικ. 7)**

Μπορείτε να ρυθμίσετε τη ροπή στερέωσης σε 16 βήματα αν περιστρέψετε το δακτύλιο ρύθμισης με τρόπο ώστε οι διαβαθμίσεις του να ευθυγραμμίζονται με το βέλος στο κύριο σώμα του εργαλείου. Η ροπή στερέωσης είναι η ελάχιστη όταν ο αριθμός 1 είναι ευθυγραμμισμένος με το βέλος, ενώ είναι η μέγιστη όταν ο αριθμός 16 είναι ευθυγραμμισμένος με το βέλος.

Πριν από τη λειτουργία, βιδώστε μια δοκιμαστική βίδα στο υλικό σας ή σε ένα κομμάτι πανομοιότυπου υλικού για να καθορίσετε το επίπεδο ροπής που απαιτείται για τη συγκεκριμένη εφαρμογή.

## **ΣΥΝΑΡΜΟΛΟΓΗΣΗ**

#### **ΠΡΟΣΟΧΗ:**

- Να βεβαιώνετε πάντοτε ότι το εργαλείο είναι σβηστό και αποσυνδεδεμένο από το ηλεκτρικό ρεύμα πριν εκτελέσετε οποιαδήποτε εργασία σε αυτό.

### **Τοποθέτηση ή αφαίρεση της μύτης βιδώματος ή της μύτης τρυπανιού (Εικ. 8)**

Στρέψτε το περίβλημα αριστερόστροφα για να ανοίξετε τις σιαγόνες κεφαλής. Τοποθετήστε τη μύτη στην κεφαλή έως το τέρμα. Στρέψτε το περίβλημα δεξιόστροφα για να σφίξετε την κεφαλή.

Για να βγάλετε τη μύτη, στρέψτε το περίβλημα αριστερόστροφα.

### **Γάντζος (Εικ. 9)**

Ο γάντζος χρησιμεύει για το προσωρινό κρέμασμα του εργαλείου. Μπορείτε να τον τοποθετήσετε σε οποιαδήποτε πλευρά του εργαλείου.




Για να τοποθετήσετε το γάντζο, βάλτε τον σε μια εγκοπή στο περίβλημα του εργαλείου σε οποιαδήποτε πλευρά του και κατόπιν ασφαλίστε τον με μια βίδα. Για να τον βγάλετε, χαλαρώστε τη βίδα και κατόπιν αφαιρέστε τον.

## ΛΕΙΤΟΥΡΓΙΑ

### Λειτουργία κρουστικού τρυπανίσματος

#### ΠΡΟΣΟΧΗ:

- Ασκείται μια τεράστια και ξαφνική δύναμη στρέψης στο εργαλείο/μύτη τη στιγμή που διαπερνάται η τρύπα, όταν η τρύπα φράσσει με θραύσματα και σωματίδια ή όταν το εργαλείο/μύτη χτυπάει ράβδους ενίσχυσης που είναι ενσωματωμένες στο τσιμέντο.

Πρώτα, στρέψτε το δακτύλιο αλλαγής τρόπου δράσης ώστε το βέλος στο κύριο σώμα του εργαλείου να είναι στραμμένο στην ένδειξη . Για τη λειτουργία αυτή, μπορείτε να ευθυγραμμίσετε το δακτύλιο ρύθμισης σε οποιοδήποτε επίπεδο ροπή.

Βεβαιωθείτε ότι χρησιμοποιείτε μύτη με άκρο βολφραμίου-καρβιδίου.

Τοποθετήστε τη μύτη στη θέση που επιθυμείτε να τρυπανίσετε και κατόπιν τραβήξτε τη σκανδάλη-διακόπτη.

Μην ασκείτε πίεση στο εργαλείο. Θα έχετε καλύτερα αποτελέσματα με ελαφριά πίεση. Να διατηρείτε το εργαλείο στη θέση του και να αποφεύγετε την ολίσησή του από την τρύπα.


Μην ασκείτε περισσότερη πίεση σε περίπτωση που η σπή φράξει με θραύσματα ή σωματίδια. Αντ' αυτού, σταματήστε αργά τη λειτουργία του εργαλείου και κατόπιν βγάλτε τη μύτη μερικώς από την σπή. Αν επαναλάβετε τη διαδικασία αυτή μερικές φορές, η σπή θα καθαρίσει και θα μπορεί να συνεχίσετε κανονικά το τρυπάνισμα.

### Φυσητήρι (προαιρετικό αξεσουάρ)

#### (Εικ. 10)

Μετά από το τρυπάνισμα της τρύπας, χρησιμοποιήστε το φυσητήρι για να καθαρίσετε τη σκόνη από την τρύπα.

### Λειτουργία βιδώματος (Εικ. 11)

Πρώτα, στρέψτε το δακτύλιο αλλαγής τρόπου δράσης ώστε το βέλος στο κύριο σώμα του εργαλείου να είναι στραμμένο στην ένδειξη . Θέστε το δακτύλιο ρύθμισης στο σωστό επίπεδο ροπή για την εργασία σας. Κατόπιν, συνεχίστε όπως περιγράφεται στη συνέχεια.

Τοποθετήστε το άκρο της μύτης βιδώματος στην κεφαλή της βίδας και ασκήστε πίεση στο εργαλείο. Ξεκινήστε αργά το εργαλείο και κατόπιν αυξήστε σταδιακά την ταχύτητα. Αφήστε τη σκανδάλη-διακόπτη μόλις ολισθήσει ο σφιγκτήρας.

#### ΠΡΟΣΟΧΗ:

- Βεβαιωθείτε ότι τοποθετήσατε τη μύτη βιδώματος άπευθείας στην κεφαλή της βίδας. Διαφορετικά,


μπορεί να προκληθεί βλάβη στη βίδα ή/και στη μύτη.

#### ΠΑΡΑΤΗΡΗΣΗ:

- Όταν βιδώνετε ξυλόβιδες, τρυπανίστε από πριν καθοδηγητικές οπές για να διευκολύνετε το βιδώμα και να αποφύγετε τη διάσπαση του ξύλου. Ανατρέξτε στον πίνακα.

Όνομαστική διάμετρος της ξυλόβιδας (mm)	Συνιστώμενο μέγεθος καθοδηγητικής οπής (mm)
3,1	2,0 - 2,2
3,5	2,2 - 2,5
3,8	2,5 - 2,8
4,5	2,9 - 3,2
4,8	3,1 - 3,4
5,1	3,3 - 3,6
5,5	3,7 - 3,9
5,8	4,0 - 4,2
6,1	4,2 - 4,4

### Λειτουργία τρυπανίσματος

Πρώτα, γυρίστε το δακτύλιο ρύθμισης ώστε ο δείκτης να είναι ευθυγραμμισμένος με την ένδειξη . Κατόπιν, συνεχίστε όπως περιγράφεται στη συνέχεια.

#### ΠΡΟΣΟΧΗ:

- Δεν θα επιταχυνθεί το τρυπάνισμα αν πιέζετε υπερβολικά το εργαλείο. Στην πραγματικότητα, αυτή η υπερβολική πίεση απλά θα προκαλέσει βλάβη στη μύτη τρυπανιού, θα μειώσει την απόδοση του τρυπανιού και θα συντομεύσει την ωφέλιμη διάρκεια ζωής του εργαλείου.
- Ασκείται τεράστια δύναμη στο εργαλείο/μύτη τη στιγμή που διαπερνάται η σπή. Κρατήστε το εργαλείο σταθερά και προσέχετε όταν η μύτη ξεκινήσει να διαπερνάει το τεμάχιο εργασίας.
- Μπορείτε να βγάλετε μια μύτη που έχει εμπλακεί ρυθμίζοντας απλώς το αναστροφικό σε αντιστροφή κατεύθυνση περιστροφής ώστε να αποσυρθεί το εργαλείο. Όμως, το εργαλείο μπορεί να αποσυρθεί απότομα αν δεν το κρατάτε σταθερά.
- Να στερεώνετε πάντοτε τα μικρά τεμάχια εργασίας σε μέγκενη ή παρόμοια συσκευή.
- Αν το εργαλείο λειτουργεί συνεχόμενα έως ότου αποφορτιστεί η μπαταρία, αφήστε το εργαλείο σβηστό για 15 λεπτά πριν συνεχίσετε την εργασία με καινούργια μπαταρία.

### Τρυπάνισμα ξύλου

Όταν τρυπανίζετε σε ξύλο, έχετε καλύτερα αποτελέσματα με μύτες για ξύλο εξοπλισμένες με βίδα οδήγησης. Η βίδα οδήγησης κάνει το τρυπάνισμα ευκολότερο επειδή τραβάει τη μύτη μέσα στο τεμάχιο εργασίας.

### Τρυπάνισμα σε μέταλλο

Για να μην ολισθήσει μια μύτη όταν ξεκινάτε τη δημιουργία μιας τρύπας, κάντε ένα κοιλώμα με πόντα

και σφυρί στο σημείο όπου θα τρυπανίσετε.  
Τοποθετήστε τη μύτη στο κοίλωμα και ξεκινήστε το τρυπάνισμα.

Όταν τρυπανίζετε μέταλλα, χρησιμοποιήστε λιπαντικό κοπής. Εξάιρση αποτελούν το σίδερο και ο χάλυβας τα οποία θα πρέπει να τρυπανίζετε στεγνά.

## ΣΥΝΤΗΡΗΣΗ

### ΠΡΟΣΟΧΗ:

- Να βεβαιώνετε πάντοτε ότι το εργαλείο είναι σβηστό και έχετε αφαιρέσει την μπαταρία πριν εκτελέσετε οποιαδήποτε εργασία ελέγχου ή συντήρησης σε αυτό.

### Αλλαγή καρβουνακιών

Αντικαταστήστε τα όταν έχουν φθαρεί έως την ένδειξη ορίου. Να διατηρείτε τα καρβουνάκια καθαρά και ελεύθερα για να γλιστρούν στις υποδοχές. Πρέπει να αλλάζετε ταυτόχρονα και τα δύο καρβουνάκια. Να χρησιμοποιείτε μόνο καρβουνάκια ίδιου τύπου. **(Εικ. 12)**

Με ένα κατσαβίδι, βγάλτε τις δύο βίδες και μετά βγάλτε το πίσω κάλυμμα. **(Εικ. 13)**

Σηκώστε το τμήμα βραχίονα του ελατηρίου και κατόπιν τοποθετήστε το στο τμήμα εγκοπής του περιβλήματος με ένα λοξό, λεπτό κατσαβίδι ή παρόμοιο εργαλείο. **(Εικ. 14)**

Χρησιμοποιήστε τανάλια για να αφαιρέσετε τα καπάκια για τα καρβουνάκια. Βγάλτε τα φθαρμένα καρβουνάκια, τοποθετήστε τα καινούργια και τοποθετήστε ξανά τα καπάκια για τα καρβουνάκια με αντίστροφη σειρά. **(Εικ. 15)**

Βεβαιωθείτε ότι τα καπάκια για τα καρβουνάκια εφαρμόζουν καλά στις οπές στις θήκες καρβουνακιών. **(Εικ. 16)**

Τοποθετήστε ξανά το πίσω κάλυμμα και σφίξτε καλά τις δύο βίδες.

Για να διατηρείται η ΑΣΦΑΛΕΙΑ και η ΑΞΙΟΠΙΣΤΙΑ του προϊόντος, οι εργασίες επισκευής, καθώς και οποιαδήποτε άλλη εργασία συντήρησης ή ρύθμισης, θα πρέπει να εκτελούνται σε εξουσιοδοτημένα κέντρα εξυπηρέτησης της Makita, και πάντοτε με τη χρήση ανταλλακτικών της Makita.

## ΕΞΑΡΤΗΜΑΤΑ

### ΠΡΟΣΟΧΗ:

- Συνιστάται η χρήση των παρακάτω αξεσουάρ και εξαρτημάτων με το εργαλείο της Makita μόνο όπως καθορίζεται στο παρόν εγχειρίδιο. Αν χρησιμοποιήσετε άλλα αξεσουάρ ή εξαρτήματα μπορεί να παρουσιαστεί κίνδυνος για πρόκληση ατομικού τραυματισμού. Να χρησιμοποιείτε τα αξεσουάρ και τα εξαρτήματα μόνο για το σκοπό για τον οποίο προορίζονται.

Αν χρειάζεστε κάποια βοήθεια ή περισσότερες πληροφορίες σχετικά με τα αξεσουάρ αυτά,

απευθυνθείτε στο πλησιέστερο κέντρο εξυπηρέτησης της Makita.

- Μύτες τρυπανίσματος
- Μύτη με άκρο βολφραμίου-καρβιδίου για κρουστικό τρυπάνι
- Μύτη σταυροκατσάβιδου
- Επίπεδη μύτη κατσαβιδίου
- Μύτη με υποδοχή
- Φυσητήρι
- Γυαλιά ασφάλειας
- Διάφορα είδη γνήσιων μπαταριών και φορτιστών Makita
- Γάντζος
- Διάταξη λαστιχένιου βύσματος
- Μάλλινο κάλυμμα
- Αφρώδες βύσμα λείανσης

## ENGLISH

### EC-DECLARATION OF CONFORMITY

We declare under our sole responsibility that this product is in compliance with the following standards of standardized documents, EN60745, EN55014 in accordance with Council Directives, 89/336/EEC, 98/37/EC.

## FRANÇAIS

### DÉCLARATION DE CONFORMITÉ CE

Nous déclarons sous notre entière responsabilité que ce produit est conforme aux normes des documents standardisés suivants, EN60745, EN55014 conformément aux Directives du Conseil, 89/336/CEE et 98/37/EG.

## DEUTSCH

### CE-KONFORMITÄTSERKLÄRUNG

Hiermit erklärt wir unter unserer alleinigen Verantwortung, daß dieses Produkt gemäß den Ratsdirektiven 89/336/EWG und 98/37/EG mit den folgenden Normen von Normendokumenten übereinstimmen: EN60745, EN55014

## ITALIANO

### LE NORME DELLA COMUNITÀ EUROPEA

Dichiariamo sotto la nostra sola responsabilità che questo prodotto è conforme agli standard di documenti standardizzati seguenti: EN60745, EN55014 secondo le direttive del Consiglio 89/336/CEE e 98/37/CE.

## NEDERLANDS

### EG-VERKLARING VAN CONFORMITEIT

Wij verklaren hierbij uitsluitend op eigen verantwoordelijkheid dat dit produkt voldoet aan de volgende normen van genormaliseerde documenten, EN60745, EN55014 in overeenstemming met de richtlijnen van de Raad 89/336/EEC en 98/37/EC.

## ESPAÑOL

### DECLARACIÓN DE CONFORMIDAD DE LA CE

Declaramos bajo nuestra sola responsabilidad que este producto cumple con las siguientes normas de documentos normalizados, EN60745, EN55014 de acuerdo con las directivas comunitarias, 89/336/EEC y 98/37/CE.

Yasuhiko Kanzaki CE 2005



Director	Amministratore
Directeur	Directeur
Direktor	Director

## MAKITA INTERNATIONAL EUROPE LTD.

Michigan Drive, Tongwell, Milton Keynes,  
Bucks MK15 8JD, ENGLAND

Responsible manufacturer:	Produttore responsabile:
Fabricant responsable :	Verantwoordelijke fabrikant:
Verantwortlicher Hersteller:	Fabricante responsable:

Makita Corporation Anjo Aichi Japan

## PORTUGUÊS

### DECLARAÇÃO DE CONFORMIDADE DA CE

Declaramos sob inteira responsabilidade que este produto obedece às seguintes normas de documentos normalizados, EN60745, EN55014 de acordo com as directivas 89/336/CEE e 98/37/CE do Conselho.

## DANSK

### EU-DEKLARATION OM KONFORMITET

Vi erklærer hermed på eget ansvar, at dette produkt er i overensstemmelse med de følgende standarder i de normsættende dokumenter, EN60745, EN55014 i overensstemmelse med Rådets Direktiver, 89/336/EEC og 98/37/EC.

## SVENSKA

### EG-DEKLARATION OM ÖVERENSSTÄMMELSE

Under eget ansvar deklarerar vi härmed att denna produkt överensstämmer med följande standardiseringar för standardiserade dokument, EN60745, EN55014 i enlighet med EG-direktiven 89/336/EEC och 98/37/EC.

## NORSK

### EU's SAMSVARS-ERKLÆRING

Vi erklærer på eget ansvar at dette produktet er i overensstemmelse med følgende standard i de standardiserte dokumenter: EN60745, EN550140, i samsvar med Rådsdirektivene, 89/336/EEC og 98/37/EC.

## SUOMI

### VAKUUTUS EC-VASTAAVUDESTA

Yksinomaisesti vastuullisina ilmoitamme, että tämä tuote on seuraavien standardoitujen dokumenttien standardien mukainen, EN60745, EN55014 neuvoston direktiivien 89/336/EEC ja 98/37/EC mukaisesti.

## ΕΛΛΗΝΙΚΑ

### ΔΗΛΩΣΗ ΣΥΜΜΟΡΦΩΣΗΣ ΕΚ

Δηλώνουμε υπό την μοναδική μας ευθύνη ότι αυτό το προϊόν βρίσκεται σε Συμφωνία με τα ακόλουθα πρότυπα τυποποιημένων εγγράφων, EN60745, EN55014 σύμφωνα με τις Οδηγίες του Συμβουλίου, 89/336/EEC και 98/37/EC.

Yasuhiko Kanzaki CE 2005



Director

Direktør

Direktör

Direktor

Johtaja

Διευθυντής

## MAKITA INTERNATIONAL EUROPE LTD.

Michigan Drive, Tongwell, Milton Keynes,  
Bucks MK15 8JD, ENGLAND

Fabricante responsável::

Ansvarlig fabrikant:

Ansvarig tillverkare:

Ansvarlig produsent:

Vastaava valmistaja:

Υπεύθυνος κατασκευαστής:

Makita Corporation Anjo Aichi Japan

## ENGLISH

### For European countries only

#### Noise and Vibration

The typical A-weighted sound pressure level is 81dB (A).

Uncertainty is 3 dB (A).

The noise level under working may exceed 85 dB (A).

– Wear ear protection.–

The typical weighted root mean square acceleration value is 7 m/s<sup>2</sup>.

These values have been obtained according to EN60745.

## ITALIANO

### Modello per l'Europa soltanto

#### Rumore e vibrazione

Il livello tipico di pressione sonora ponderato A è di 81 dB (A).

Eventuali variazioni sono comprese in 3 dB (A).

Il livello acustico in funzionamento può superare 85 dB (A).

– Indossare una protezione acustica.–

Il valore quadratico medio di accelerazione è di 7 m/s<sup>2</sup>.

Questi valori sono stati ottenuti in conformità con la norma EN60745.

## FRANÇAIS

### Pour les pays d'Europe uniquement

#### Bruit et vibrations

Le niveau de pression sonore pondérée A typique est 81 dB

(A).

L'incertitude est de 3 dB (A).

Le niveau de bruit peut dépasser 85 dB (A) lors de l'utilisation.

– Portez des protections d'oreilles. –

L'accélération pondérée est de 7 m/s<sup>2</sup>.

Ces valeurs ont été obtenues selon EN60745.

## NEDERLANDS

### Alleen voor Europese landen

#### Geluidsniveau en trilling

Het typische, A-gewogen geluidsdrukniveau is 81 dB (A).

De afwijking is 3 dB (A).

Het geluidsniveau kan tijdens gebruik hoger worden dan

85 dB (A).

– Draag gehoorbescherming.–

De typische gewogen effectieve versnellingswaarde 7 m/s<sup>2</sup>.

Deze waarden zijn verkregen volgens EN60745.

## DEUTSCH

### Nur für europäische Länder

#### Geräusch- und Vibrationsentwicklung

Der typische Schalldruck beträgt 81 dB (A). Die Abweichung

beträgt 3 dB (A).

Unter Arbeitsbedingungen kann der Schalldruck 85 dB (A)

überschreiten.

– Tragen Sie Gehörschutz. –

Der gewichtete Effektivwert der Beschleunigung beträgt 7 m/s<sup>2</sup>.

Diese Werte wurden entsprechend der Norm EN60745 gewonnen.

## ESPAÑOL

### Para países europeos solamente

#### Ruido y vibración

El nivel de presión acústica típico ponderado A es de 81 dB

(A).

La incertidumbre es de 3 dB (A).

El nivel de ruido durante el trabajo puede superar los 85 dB

(A).

– Utilice protectores para los oídos. –

El valor ponderado de la aceleración es de 7 m/s<sup>2</sup>.

Estos valores se han obtenido conforme a EN60745.

Yasuhiko Kanzaki CE 2005



Director	Amministratore
Directeur	Directeur
Direktor	Director

## MAKITA INTERNATIONAL EUROPE LTD.

Michigan Drive, Tongwell, Milton Keynes,  
Bucks MK15 8JD, ENGLAND

Responsible manufacturer:	Produttore responsabile:
Fabricant responsable :	Verantwoordelijke fabrikant:
Verantwortlicher Hersteller:	Fabricante responsable:

Makita Corporation Anjo Aichi Japan

## PORTUGUÊS

### Só para países Europeus

#### Ruído e vibração

O nível acústico ponderado A é de 81 dB (A).  
O coeficiente de imprecisão é de 3 dB (A).  
O nível de ruído quando em funcionamento pode exceder os 85 dB (A).  
– Use protecções para os ouvidos.–  
O valor médio da aceleração é  $7 \text{ m/s}^2$ .  
Estes valores foram obtidos segundo a norma EN60745.

## DANSK

### Kun for lande i Europa

#### Lyd og vibration

Det typiske A-vægtede lydtryksniveau er 81 dB (A).  
Usikkerheden er 3 dB (A).  
Støjniveauet under arbejdet kan være større end 85 dB (A).  
– Bær høreværn. –  
Den vægtede effektive accelerationsværdi er  $7 \text{ m/s}^2$ .  
Disse værdier er målt i overensstemmelse med EN60745.

## SVENSKA

### Endast för Europa

#### Buller och vibration

Den typiska ljudtrycksnivån av A-vikt är 81 dB (A).  
Osäkerheten är 3 dB (A).  
Störningsnivån under drift kan överstiga 85 dB (A).  
– Använd hörselskydd.–  
Det typiskt vägda effektivvärdet för acceleration är  $7 \text{ m/s}^2$ .  
Dessa värden är inhämtade enligt EN60745.

## NORSK

### Gjelder bare land i Europa

#### Støy og vibrasjon

Typisk A-vektet lydtryknivå er 81 dB (A).  
Usikkerheten er på 3 dB (A).  
Støynivået under arbeid kan overskride 85 dB (A).  
– Bruk hørselvern.–  
Den vanlig belastede effektiv-verdi for akselerasjon  $7 \text{ m/s}^2$ .  
Disse verdiene er fremkommet i samsvar med EN60745.

## SUOMI

### Vain Euroopan maat

#### Melutasa ja värinä

Tyypillinen A-painotettu äänenpainetaso on 81 dB (A).  
Virhemarginaali 3 dB (A).  
Työskentelyn aikana melutaso voi ylittää 85 dB (A).  
– Käytä kuul suojaimia. –  
Tyypillinen kiihtyvyyden painotettu tehollisarvo on  $7 \text{ m/s}^2$ .  
Nämä arvot on saatu standardin EN60745 mukaisesti.

## ΕΛΛΗΝΙΚΑ

### Μόνο για χώρες της Ευρώπης

#### Θόρυβος και κραδασμός

Το σύνθηρες σταθμισμένο επίπεδο ηχητικής πίεσης είναι 81 dB (A).  
Η αβεβαιότητα είναι 3 dB (A).  
Το επίπεδο θορύβου σε λειτουργία ενδέχεται να υπερβεί τα 85 dB (A).  
– Να φοράτε ωτοασπίδες –  
Η τυπική αξία της μετρούμενης ρίζας του μέσου τετραγώνου της επιτάυσης είναι  $7 \text{ m/s}^2$ .  
Οι τιμές αυτές έχουν ληφθεί σύμφωνα με το EN60745.

Yasuhiko Kanzaki CE 2005

Director  
Direktør  
Direktör

Direktor  
Johtaja  
Διευθυντής

## MAKITA INTERNATIONAL EUROPE LTD.

Michigan Drive, Tongwell, Milton Keynes,  
Bucks MK15 8JD, ENGLAND

Fabricante responsável:  
Ansvarelig fabrikant:  
Ansvarelig tillverkare:

Ansvarelig produsent:  
Vastaava valmistaja:  
Υπεύθυνος κατασκευαστής:

Makita Corporation Anjo Aichi Japan



Makita Corporation  
Anjo, Aichi, Japan

884632B996