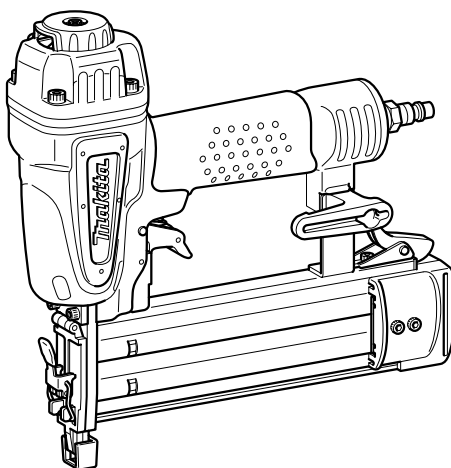
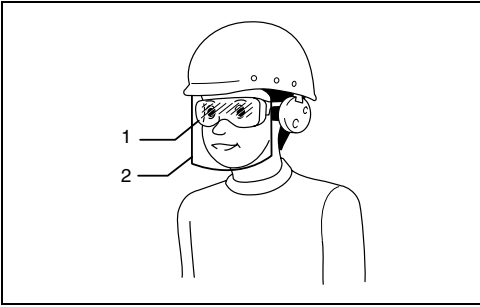


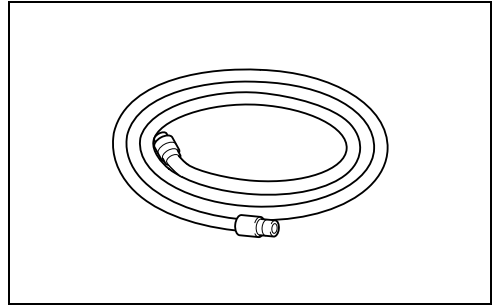
GB	Pneumatic Brad Nailer	Instruction manual
F	Cloueuse pneumatique	Manuel d'instructions
D	Luftdruck-Senkkopfnagler	Betriebsanleitung
I	Chiodatrice pneumatica	Istruzioni per l'uso
NL	Pneumatische nagelaandrijver	Gebruiksaanwijzing
E	Clava puntas neumático	Manual de instrucciones
P	Agrafador de agrafos e pregos pneumático	Manual de instruções
DK	Pneumatisk sømmemaskine	Brugsanvisning
S	Pneumatisk spikmaskin	Bruksanvisning
N	Pneumatisk spikerpistol	Bruksanvisning
FIN	Paineilmanaulain	Käyttöohje
GR	Καρφωτικό πιστόλι	Οδηγίες χρήσης

AF505

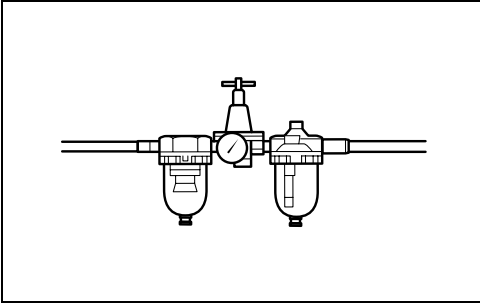




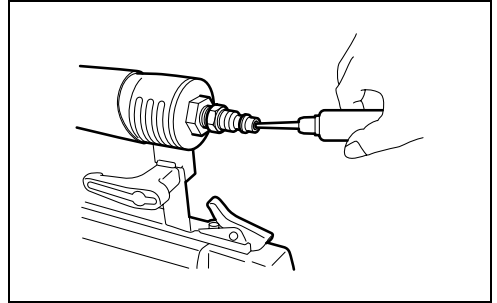
1



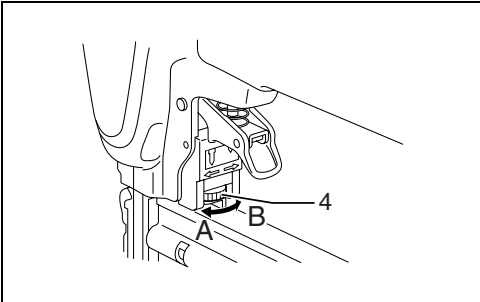
2



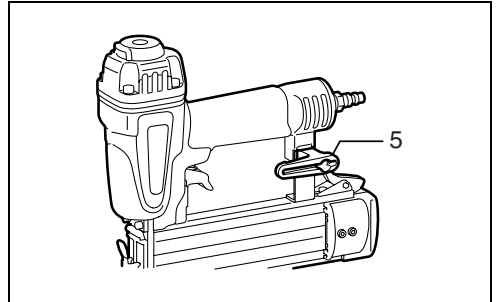
3



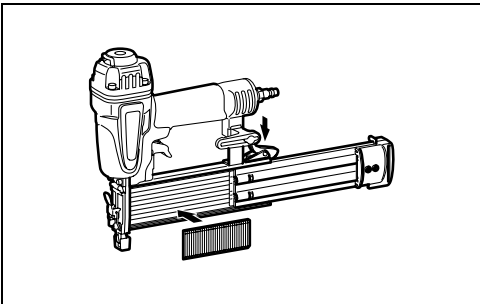
4



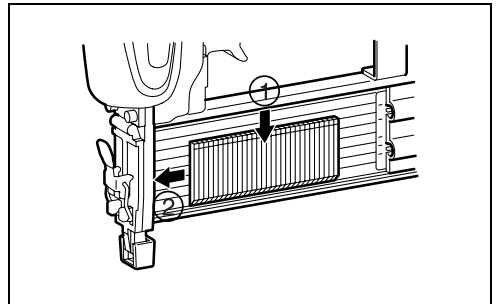
5



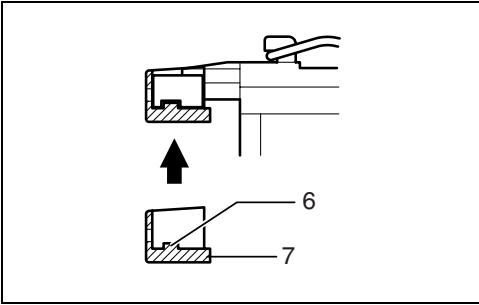
6



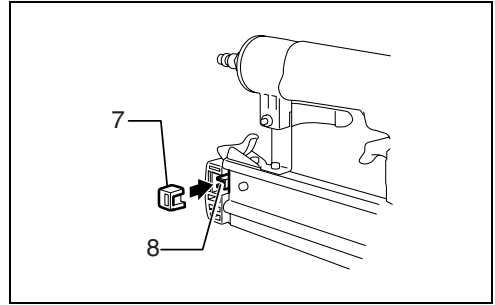
7



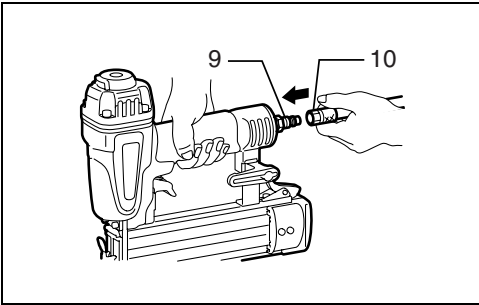
8



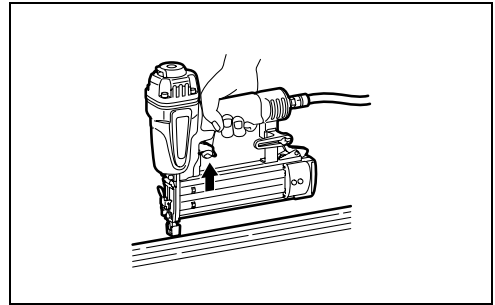
9



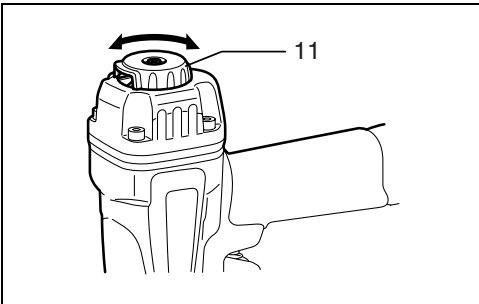
10



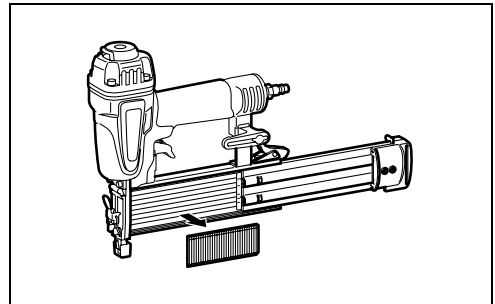
11



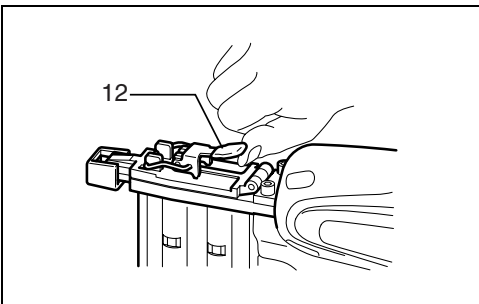
12



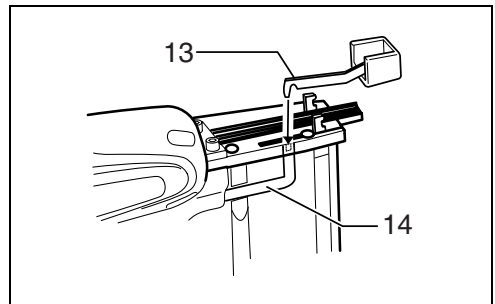
13



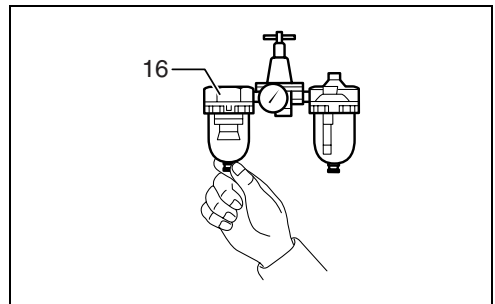
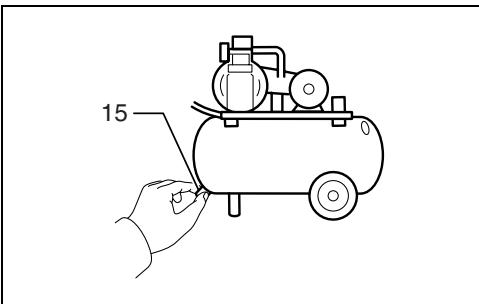
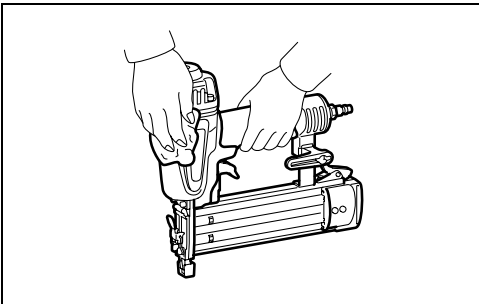
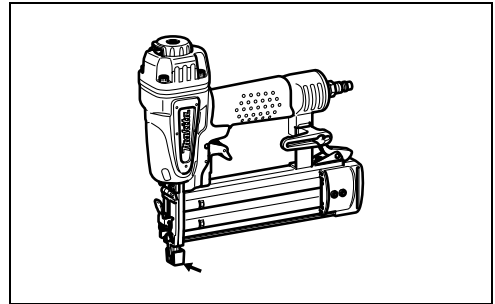
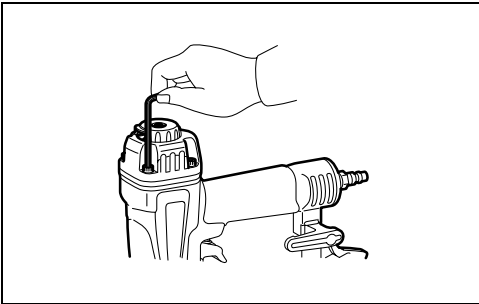
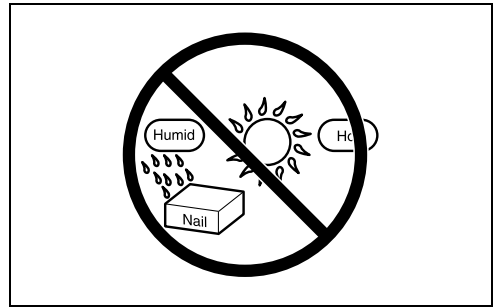
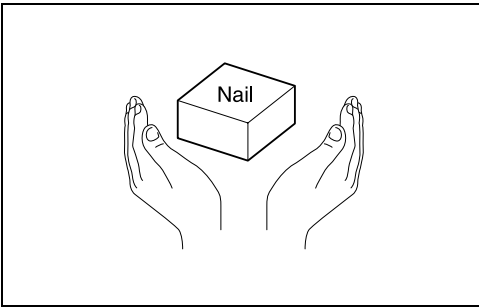
14

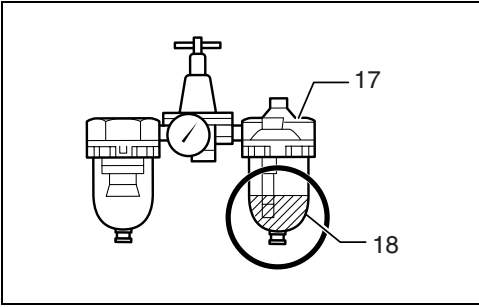


15

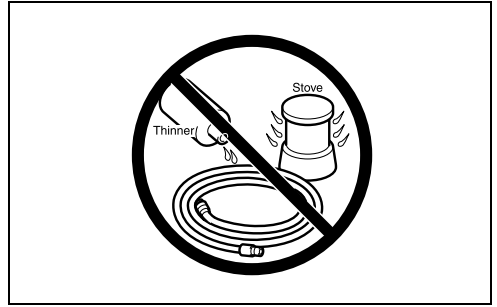


16





25



26

ENGLISH

Explanation of general view

- | | | |
|-----------------------|----------------------|-------------------|
| 1. Safety glasses | 7. Nose adapter | 13. Contact top |
| 2. Face shield | 8. Place for storage | 14. Contact arm |
| 3. Pneumatic tool oil | 9. Air fitting | 15. Drain cock |
| 4. Adjuster | 10. Air socket | 16. Air filter |
| 5. Hook | 11. Exhaust cover | 17. Oiler |
| 6. Protrusion | 12. Latch | 18. Pneumatic oil |

SPECIFICATIONS

Model	AF505
Air pressure	0.39 - 0.78 Mpa (3.9 - 7.8 bar)
Nail length	15 mm - 50 mm
Nail capacity	100 pcs.
Dimensions (L X H X W)	260 mm X 64 mm X 237 mm
Min. hose diameter	6.5 mm
Net weight	1.4 kg

Symbols

END106-1

The following show the symbols used for the equipment. Be sure that you understand their meaning before use.



..... Read instruction manual.



..... Wear safety glasses.



..... Do not use on scaffoldings, ladders.

IMPORTANT SAFETY INSTRUCTIONS

ENB100-2

WARNING: WHEN USING THIS TOOL, BASIC SAFETY PRECAUTIONS SHOULD ALWAYS BE FOLLOWED TO REDUCE THE RISK OF PERSONAL INJURY, INCLUDING THE FOLLOWING:

READ ALL INSTRUCTIONS.

- For personal safety and proper operation and maintenance of the tool, read this instruction manual before using the tool.
- Always wear safety glasses to protect your eyes from dust or nail injury.

WARNING:

- It is an employer's responsibility to enforce the use of safety eye protection equipment by the tool operators and by other persons in the immediate working area.

For Australia and New Zealand only

Always wear safety glasses and face shield to protect your eyes from dust or nail injury. The safety glasses and the face shield should conform with the requirements of AS/NZS 1336.

WARNING:

It is an employer's responsibility to enforce the use of safety eye protection equipment by the tool operators and by other persons in the immediate working area. **(Fig. 1)**

- Wear hearing protection to protect your ears against exhaust noise and head protection. Also wear light but not loose clothing. Sleeves should be buttoned or rolled up. No necktie should be worn.
- Rushing the job or forcing the tool is dangerous. Handle the tool carefully. Do not operate when under the influence of alcohol, drugs or the like.
- General Tool Handling Guidelines:
 - (1) Always assume that the tool contains fasteners.
 - (2) Do not point the tool toward yourself or anyone whether it contains fasteners or not.

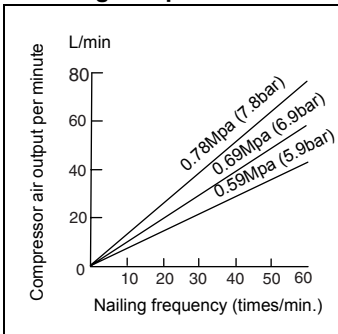
- (3) Do not activate the tool unless the tool is placed firmly against the workpiece.
 - (4) Respect the tool as a working implement.
 - (5) No horseplay.
 - (6) Do not hold or carry the tool with a finger on the trigger.
 - (7) Do not load the tool with fasteners when any one of the operating controls is activated.
 - (8) Do not operate the tool with any power source other than that specified in the tool operating/safety instructions.
- An improperly functioning tool must not be used.
 - Sparks sometimes fly when the tool is used. Do not use the tool near volatile, flammable materials such as gasoline, thinner, paint, gas, adhesives, etc.; they will ignite and explode, causing serious injury.
 - The area should be sufficiently illuminated to assure safe operations. The area should be clear and litter-free. Be especially careful to maintain good footing and balance.
 - Only those involved in the work should be in the vicinity. Children especially must be kept away at all times.
 - There may be local regulations concerning noise which must be complied with by keeping noise levels within prescribed limits. In certain cases, shutters should be used to contain noise.
 - Do not play with the contact element: it prevents accidental discharge, so it must be kept on and not removed. Securing the trigger in the ON position is also very dangerous. Never attempt to fasten the trigger. Do not operate a tool if any controls is inoperable, disconnected, altered, or not working properly.
 - Operate the tool within the specified air pressure of 0.39 - 0.78 MPa (3.9 - 7.8 bar) for safety and longer tool life. Do not exceed the recommended max. operating pressure of 0.78 MPa (7.8 bar). The tool should not be connected to a source whose pressure potentially exceeds 1.37 MPa (13.7 bar).
 - Make sure that the pressure supplied by the compressed air system does not exceed the maximum allowable pressure of the fastener driving tool. Set the air pressure initially to the lower value of the recommended allowable pressure (see SPECIFICATIONS).
 - Never use the tool with other than compressed air. If bottled gas (carbon dioxide, oxygen, nitrogen, hydrogen, air, etc.) or combustible gas (hydrogen, propane, acetylene, etc.) is used as a power source for this tool, the tool will explode and cause serious injury.
 - Always check the tool for its overall condition and loose screws before operation. Tighten as required.
 - Make sure all safety systems are in working order before operation. The tool must not operate if only the trigger is pulled or if only the contact arm is pressed against the wood. It must work only when both actions are performed. Test for possible faulty operation with nails unloaded.
 - Check walls, ceilings, floors, roofing and the like carefully to avoid possible electrical shock, gas leakage, explosions, etc. caused by striking live wires, conduits or gas pipes.
- Use only nails specified in this manual. The use of any other nails may cause malfunction of the tool.
 - Never use fastener driving tools marked with the symbol "Do not use on scaffoldings, ladders" for specific application for example:
 - when changing one driving location to another involves the use of scaffoldings, stairs, ladders, or ladder alike constructions, e.g. roof laths;
 - closing boxes or crates;
 - fitting transportation safety systems e.g. on vehicles and wagons.
 - Do not permit those uninstructed to use the tool.
 - Make sure no one is nearby before nailing. Never attempt to nail from both the inside and outside at the same time. Nails may rip through and/or fly off, presenting a grave danger.
 - Watch your footing and maintain your balance with the tool. Make sure there is no one below when working in high locations, and secure the air hose to prevent danger if there is sudden jerking or catching.
 - On rooftops and other high locations, nail as you move forward. It is easy to lose your footing if you nail while inching backward. When nailing against perpendicular surface, nail from the top to the bottom. You can perform nailing operations with less fatigue by doing so.
 - A nail will be bent or the tool can become jammed if you mistakenly nail on top of another nail or strike a knot in the wood. The nail may be thrown and hit someone, or the tool itself can react dangerously. Place the nails with care.
 - Do not leave the loaded tool or the air compressor under pressure for a long time out in the sun. Be sure that dust, sand, chips and foreign matter will not enter the tool in the place where you leave it setting.
 - Do not point the ejection port at anyone in the vicinity. Keep hands and feet away from the ejection port area.
 - When the air hose is connected, do not carry the tool with your finger on the trigger or hand it to someone in this condition. Accidental firing can be extremely dangerous.
 - Handle the tool carefully, as there is high pressure inside the tool that can be dangerous if a crack is caused by rough handling (dropping or striking). Do not attempt to carve or engrave on the tool.
 - Stop nailing operations immediately if you notice something wrong or out of the ordinary with the tool.
 - Always disconnect the air hose and remove all of the nails:
 - (1) When unattended.
 - (2) Before performing any maintenance or repair. Nailing frequency (times/min.)
 - (3) Before cleaning a jam.
 - (4) Before moving the tool to a new location.
 - Perform cleaning and maintenance right after finishing the job. Keep the tool in tip-top condition. Lubricate moving parts to prevent rusting and minimize friction-related wear. Wipe off all dust from the parts.
 - Do not operate this tool if it does not contain a legible WARNING LABEL.
 - Do not modify tool without authorization from Makita.
 - Ask Makita's Authorized service centers for periodical inspection of the tool.

- To maintain product SAFETY and RELIABILITY, maintenance and repairs should be performed by Makita Authorized Service Centers, always using Makita replacement parts.
- Use only pneumatic tool oil specified in this manual.
- Never connect tool to compressed air line where the maximum allowable pressure of tool cannot be exceeded by 10 %. Make sure that the pressure supplied by the compressed air system does not exceed the maximum allowable pressure of the fastener driving tool. Set the air pressure initially to the lower value of the recommended allowable pressure.
- Do not attempt to keep the trigger contact element depressed with tape or wire. Death or serious injury may occur.
- Always check contact element as instructed in this manual. Nails may be driven accidentally if the safety mechanism is not working correctly.

SAVE THESE INSTRUCTIONS.

INSTALLATION

Selecting compressor



- Select a compressor that has ample pressure and air output to assure cost-efficient operation. The graph shows the relation between nailing frequency, applicable pressure and compressor air output. Thus, for example, if nailing takes place at a rate of approximately 60 times per minute at a compression of 0.69 MPa (6.9 bar), a compressor with an air output over 60 L/min is required.

Pressure regulators must be used to limit air pressure to the rated pressure of the tool where air supply pressure exceeds the tool's rated pressure. Failure to do so may result in serious injury to tool operator or persons in the vicinity.

Selecting air hose (Fig. 2)

- Use an air hose as large and as short as possible to assure continuous, efficient nailing operation. With an air pressure of 0.49 MPa (4.9 bar), an air hose with an internal diameter of over 6.5 mm (1/4") and a length of less than 20 m (6.6 ft.) is recommended when the interval between each nailing is 0.5 seconds. Air supply hoses shall have a minimum working pressure rating of 1.03 MPa (10.3 bar) or 150 percent of the maximum pressure produced in the system whichever is higher.

CAUTION:

- Low air output of the compressor, or a long or smaller diameter air hose in relation to the nailing frequency may cause a decrease in the driving capability of the tool.

Lubrication (Fig. 3 & 4)

To insure maximum performance, install an air set (oiler, regulator, air filter) as close as possible to the tool. Adjust the oiler so that one drop of oil will be provided for every 50 nails. When an air set is not used, oil the tool with pneumatic tool oil by placing 2 (two) or 3 (three) drops into the air fitting. This should be done before and after use. For proper lubrication, the tool must be fired a couple of times after pneumatic tool oil is introduced.

FUNCTIONAL DESCRIPTION

CAUTION:

- Always disconnect the hose before adjusting or checking function on the tool.

Adjusting depth of nailing (Fig. 5)

To adjust the depth of nailing, turn the adjuster. The depth of nailing is the deepest when the adjuster is turned fully in the A direction shown in the figure. It will become shallower as the adjuster is turned in the B direction. If nails cannot be driven deep enough even when the adjuster is turned fully in the A direction, increase the air pressure. If nails are driven too deep even when the adjuster is turned fully in the B direction, decrease the air pressure. Generally speaking, the tool service life will be longer when the tool is used with lower air pressure and the adjuster set to a lower depth of nail driving.

CAUTION:

- Always disconnect the hose before adjusting the depth of nailing.

Hook (Fig. 6)

CAUTION:

- Always disconnect the hose from the tool.
- Never hook the tool at high location or on potentially unstable surface.

The hook is convenient for hanging the tool temporarily.

ASSEMBLY

CAUTION:

- Always disconnect the hose before carrying out any work on the tool.
- Load the same kind, size and uniform length of nails when loading nails in the magazine.

Loading nailer

Press the lever and open the sliding door of the magazine by pulling it toward yourself with the lever pressed.

(Fig. 7)

Align the tip of nails with the grooves at the bottom of the magazine and push the whole part of nails toward the firing opening. (Fig. 8)

Close the sliding door.

Nose adapter (Fig. 9 & 10)

CAUTION:

- Always disconnect the hose before installing the nose adapter.

To prevent the surface of workpiece from being scratched or damaged, use the nose adapter by fitting the protrusion of the inside of nose adapter with the notch in the contact arm.

Store the nose adapter in place when not in use. The place for storage is on both sides of the tool and inside the carrying case.

Connecting air hose (Fig. 11)

Slip the air socket of the air hose onto the air fitting on the nailer. Be sure that the air socket locks firmly into position when installed onto the air fitting. A hose coupling must be installed on or near the tool in such a way that the pressure reservoir will discharge at the time the air supply coupling is disconnected.

OPERATION

To drive a nail, you may place the contact element against the workpiece and pull the trigger. (Fig. 12)

CAUTION:

- WITH THE TRIGGER HELD IN A HALF-PULLED POSITION, an unexpected nailing could occur, if contact element is allowed to re-contact against the workpiece or the other surface under the influence of recoil.
- In order to avoid this unexpected nailing, perform as follows;
 - A. Do not place the contact element against the workpiece with excessive force.
 - B. Pull the trigger fully and hold it on for 1-2 seconds after nailing.

Direction of exhaust air (Fig. 13)

The direction of exhaust air can be changed 360 degrees of angle by turning the exhaust cover with a hand.

Removing nails

CAUTION:

- Do not use deformed nails or nail strip. Failure to do so causes poor nail feeding.

WARNING:

- Always disconnect the hose before removing nails.

Open the slide door and remove nails from the magazine. (Fig. 14)

With the slide door kept open, open the door and take out nails.

Removing the contact top allows nails to be easily taken out. When re-installing the contact top, insert the prouction of the contact top into the notch in the contact arm. (Fig. 15 & 16)

Nails

Handle nail coils and their box carefully. If the nail coils have been handled roughly, they may be out of shape or their connector breaks, causing poor nail feed. (Fig. 17)

Avoid storing nails in a very humid or hot place or place exposed to direct sunlight. (Fig. 18)

MAINTENANCE

CAUTION:

- Always disconnect the hose before attempting to perform inspection or maintenance.

Maintenance of nailer

Always check the tool for its overall condition and loose screws before operation. Tighten as required. (Fig. 19)

With tool disconnected, make daily inspection to assure free movement of the contact element and trigger. Do not use tool if the contact element or trigger sticks or binds. (Fig. 20)

When the tool is not to be used for an extended period of time, lubricate the tool using pneumatic tool oil and store the tool in a safe place. Avoid exposure to direct sunlight and/or humid or hot environment. (Fig. 21 & 22)

Maintenance of compressor, air set and air hose

After operation, always drain the compressor tank and the air filter. If moisture is allowed to enter the tool, it may result in poor performance and possible tool failure.

(Fig. 23 & 24)

Check regularly to see if there is sufficient pneumatic oil in the oiler of the air set. Failure to maintain sufficient lubrication will cause O-rings to wear quickly. (Fig. 25)

Keep the air hose away from heat (over 60°C, over 140°F), away from chemicals (thinner, strong acids or alkalis). Also, route the hose away from obstacles which it may become dangerously caught on during operation. Hoses must also be directed away from sharp edges and areas which may lead to damage or abrasion to the hose. (Fig. 26)

To maintain product SAFETY and RELIABILITY, repairs, any other maintenance and adjustment should be performed by Makita Authorized Service Centers, always using Makita replacement parts.

ACCESSORIES

CAUTION:

- These accessories or attachments are recommended for use with your Makita tool specified in this manual. The use of any other accessories or attachments might present a risk of injury to persons. Only use accessory or attachment for its stated purpose.

If you need any assistance for more details regarding these accessories, ask your local Makita Service Center.

- Nails
- Air hoses
- Safety goggles

Descriptif

- | | | |
|---------------------------------|-------------------------------|----------------------------------|
| 1. Lunettes de sécurité | 7. Adaptateur de bec | 13. Capuchon de contact |
| 2. Visière | 8. Espace de rangement | 14. Bras de contact |
| 3. Huile pour outil pneumatique | 9. Raccord à air | 15. Robinet de vidange |
| 4. Bague de réglage | 10. Prise d'air | 16. Filtre à air |
| 5. Crochet | 11. Couvercle de sortie d'air | 17. Huileur |
| 6. Partie saillante | 12. Verrou | 18. Huile pour outil pneumatique |

SPÉCIFICATIONS

Modèle	AF505
Pression d'air	0,39 à 0,78 Mpa (3,9 à 7,8 bar)
Longueur de clou	15 mm à 50 mm
Capacité de clouage	100 clous
Dimensions (L X H X P)	260 mm X 64 mm X 237 mm
Diamètre min. du tuyau	6,5 mm
Poids net	1,4 kg

Symboles

END106-1

Les symboles utilisés pour l'appareil sont indiqués ci-dessous. Assurez-vous d'avoir bien compris leur signification avant d'utiliser l'outil.



..... Reportez-vous au manuel d'instructions.



..... Portez des lunettes de sécurité.



..... N'utilisez pas l'outil sur un échafaudage ou une échelle.

CONSIGNES DE SÉCURITÉ IMPORTANTES

ENB100-2

AVERTISSEMENT : Lors de l'utilisation de cet outil, vous devez toujours prendre des précautions élémentaires en matière de sécurité pour réduire les risques de blessure. Ces précautions comprennent les suivantes :

LISEZ TOUTES LES INSTRUCTIONS.

- Pour votre propre sécurité et pour assurer le bon fonctionnement et la maintenance de l'outil, veuillez lire ce manuel d'instructions avant d'utiliser l'outil.
- Portez toujours des lunettes de sécurité pour protéger vos yeux au contact de la poussière ou d'un clou.

AVERTISSEMENT :

- L'employeur a la responsabilité d'imposer le port d'un dispositif de protection des yeux aux utilisateurs de l'outil et à toute personne présente dans la zone de travail.

Pour l'Australie et la Nouvelle-Zélande uniquement

Portez toujours des lunettes de sécurité et une visière pour protéger vos yeux au contact de la poussière ou d'un clou. Les lunettes de sécurité et la visière doivent être conformes aux exigences de AS/NZS 1336.

AVERTISSEMENT :

L'employeur a la responsabilité d'imposer le port d'un dispositif de protection des yeux aux utilisateurs de l'outil et à toute personne présente dans la zone de travail. (Fig. 1)

- Portez une protection d'oreilles pour protéger ces dernières contre le bruit, et portez un casque de sécurité. Les vêtements portés doivent être légers et ne doivent pas être amples. Veuillez boutonner ou rouler vos manches. Ne portez pas de cravate.
- Il est dangereux de travailler trop vite ou d'appliquer une charge de travail excessive à l'outil. Manipulez

- l'outil avec soin. N'utilisez pas l'outil si vous avez consommé de l'alcool, une drogue ou des médicaments, etc.
- Conseils généraux pour l'utilisation des outils :
 - (1) Gardez toujours à l'esprit que l'outil contient des clous.
 - (2) L'outil ne doit jamais être pointé vers vous-même ou vers une autre personne, qu'il contienne ou non des clous.
 - (3) Ne mettez pas l'outil en marche avant qu'il ne soit fermement placé sur la pièce à travailler.
 - (4) Respectez votre outil en tant qu'instrument de travail.
 - (5) Évitez tout chahut.
 - (6) L'outil ne doit jamais être saisi ou transporté en posant un doigt sur la gâchette.
 - (7) Ne mettez jamais de clous dans l'outil alors que l'une de ses commandes est activée.
 - (8) Ne branchez jamais l'outil sur une source d'alimentation autre que celle spécifiée dans les instructions d'utilisation/sécurité qui l'accompagnent.
 - Tout outil défectueux ne doit pas être utilisé.
 - Des étincelles s'échappent parfois de l'outil pendant son utilisation. N'utilisez pas l'outil près de substances ou matériaux volatiles ou inflammables tels que l'essence, le diluant, la peinture, le gaz, les adhésifs, etc. Ils risqueraient de prendre feu, d'exploser et de causer une blessure grave.
 - L'aire de travail doit être suffisamment éclairée pour assurer la sécurité du travail. L'aire de travail doit être maintenue propre et exempte de déchets. Veillez particulièrement à maintenir une bonne assise et une bonne position d'équilibre.
 - Seules les personnes qui participent au travail doivent pénétrer dans la zone de travail. Les enfants, tout particulièrement, doivent être maintenus à l'écart en tout temps.
 - Il se peut que des réglementations locales s'appliquent concernant les niveaux de bruit permis. Veuillez les respecter. Le cas échéant, des volets doivent être installés pour réduire le bruit.
 - Ne modifiez pas l'élément de contact. Il permet de prévenir toute décharge accidentelle et doit donc être laissé en place. Il est également très dangereux de fixer la gâchette en position de marche. Il ne faut jamais essayer d'immobiliser la gâchette. N'utilisez jamais un outil dont une des commandes est inutilisable, déconnectée, modifiée ou ne fonctionne pas correctement.
 - Utilisez l'outil avec la pression d'air spécifiée de 0,39 à 0,78 MPa (3,9 à 7,8 bar) par mesure de sécurité et pour prolonger la durée de service de l'outil. Ne dépassez pas la pression max. de fonctionnement recommandée, 0,78 MPa (7,8 bar). L'outil ne doit pas être raccordé à une source dont la pression peut dépasser 1,37 MPa (13,7 bar).
 - Assurez-vous que la pression fournie par le système d'air comprimé ne dépasse pas la pression permise maximale de la cloueuse. Réglez d'abord la pression d'air sur la plus basse valeur de pression permise recommandée (voir SPÉCIFICATIONS).
 - Cet outil doit être exclusivement utilisé avec de l'air comprimé. L'utilisation d'une bouteille de gaz (dioxyde de carbone, oxygène, nitrogène, hydrogène, air, etc.) ou de gaz combustible (hydrogène, propane, acétylène, etc.) comme source de pression de cet outil entraînera une explosion et risque de causer une blessure grave.
 - Avant d'utiliser l'outil, assurez-vous qu'il est en bon état et qu'aucune de ses vis n'est desserrée. Le cas échéant, serrez les vis.
 - Assurez-vous que tous les dispositifs de sécurité sont en état de fonctionner avant d'utiliser l'outil. Il ne faut pas que l'outil s'active lorsque vous appuyez uniquement sur la gâchette ou appuyez simplement l'élément de contact contre le bois. Il ne doit s'activer que lorsque ces deux actions sont exécutées. Retirez les clous de l'outil avant de vérifier l'absence de tout vice de fonctionnement.
 - Pour éviter tout risque de choc électrique, de fuite de gaz, d'explosion, etc., provoqué par le contact avec des fils dénudés, des conduites ou des tuyaux de gaz, vérifiez le mur ou le plafond, le plancher, le toit, etc.
 - Utilisez uniquement les clous spécifiés dans ce manuel. L'outil risque de mal fonctionner si vous utilisez tout autre type de clou.
 - N'utilisez jamais les cloueuses qui portent le symbole "Ne pas utiliser sur des échafaudages ou échelles" pour des travaux spécifiques, comme par exemple :
 - lorsque changer de position de clouage implique l'utilisation d'un échafaudage, d'un escalier, d'une échelle, etc., pour clouer des lattes de toit ;
 - fermer des boîtes ou des caisses ;
 - installer des dispositifs de sécurité pour le transport, comme par exemple sur des véhicules ou des wagons.
 - Seules les personnes ayant pris connaissance du fonctionnement de l'outil doivent être autorisées à l'utiliser.
 - Avant de procéder au clouage, assurez-vous que personne ne se trouve près de vous. N'essayez jamais de clouer une pièce en même temps des côtés intérieur et extérieur. Cela est très dangereux, puisque les clous risquent alors de défoncer la pièce et/ou d'être projetés.
 - Regardez où vous posez les pieds et assurez-vous d'un bon équilibre pendant l'utilisation de l'outil. Assurez-vous qu'il n'y a personne au-dessous de vous lorsque vous travaillez dans un endroit élevé, et fixez le tuyau d'air de sorte qu'il ne risque pas de se détacher s'il est secoué ou s'il se coince.
 - Sur les toits et autres endroits élevés, clouez en vous déplaçant vers l'avant. Vous risquez fortement de perdre pied si vous clouez en vous déplaçant à reculons. Lorsque vous clouez sur une surface verticale, faites-le du haut vers le bas. De cette façon le travail de clouage sera moins exigeant physiquement.
 - Le clou risque de se plier ou l'outil de se bloquer si vous clouez par inadvertance dans un nœud ou sur un autre clou. Le clou risque alors d'être projeté et de frapper quelqu'un, ou bien l'outil lui-même risque de réagir de manière dangereuse. Choisissez l'emplacement des clous avec soin.
 - N'abandonnez pas pour une période prolongée un outil chargé ou un compresseur d'air sous pression exposé

au soleil à l'extérieur. Assurez-vous de toujours déposer l'outil là où la poussière, le sable, les copeaux et corps étrangers ne risquent pas d'y pénétrer.

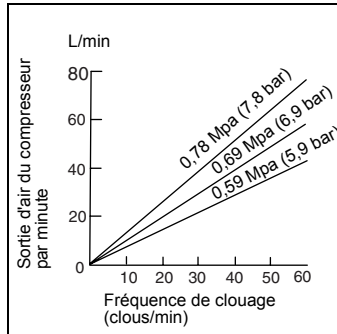
- Ne pointez jamais la sortie d'éjection vers une personne se trouvant à proximité. Gardez les mains et les pieds à l'écart de la zone de la sortie d'éjection.
 - Pour transporter l'outil ou le donner à quelqu'un alors que le tuyau d'air est raccordé, ne posez pas le doigt sur la gâchette. Le déclenchement accidentel de l'outil peut être extrêmement dangereux.
 - Manipulez l'outil prudemment, car la pression élevée à l'intérieur de l'outil représente un danger si une fissure est provoquée par une manipulation brusque (si vous échappez ou heurtez l'outil).
- Ne tentez jamais de tailler ou graver une inscription sur l'outil.

- Cessez immédiatement le clouage si vous notez une anomalie ou un fonctionnement inhabituel de l'outil.
- Déconnectez toujours le tuyau d'air et retirez tous les clous dans les cas suivants :
 - (1) Lorsque l'outil est laissé sans surveillance.
 - (2) Avant d'effectuer tout travail de maintenance ou de réparation sur l'outil. Fréquence de clouage (clous/min)
 - (3) Avant de réparer un blocage.
 - (4) Avant de déplacer l'outil vers un autre lieu.
- Procédez au nettoyage et à la maintenance de l'outil une fois le travail terminé. Maintenez l'outil en excellente condition. Lubrifiez les pièces mobiles pour éviter qu'elles ne rouillent et pour limiter l'usure entraînée par la friction. Retirez toute poussière déposée sur les pièces.
- N'utilisez pas l'outil si une ÉTIQUETTE D'AVERTISSEMENT lisible n'y est pas apposée.
- Ne modifiez pas l'outil sans l'autorisation de Makita.
- Confiez régulièrement l'outil à un centre de service après-vente agréé Makita pour le faire inspecter.
- Pour maintenir la SÉCURITÉ et la FIABILITÉ de l'outil, sa maintenance et sa réparation doivent être effectuées dans un centre de service après-vente agréé Makita, exclusivement avec des pièces de rechange Makita.
- Utilisez exclusivement l'huile pour outil pneumatique spécifiée dans ce manuel.
- Ne connectez jamais l'outil à une ligne d'air comprimé sur laquelle la pression permise maximale de l'outil ne peut pas être dépassée de 10%. Assurez-vous que la pression fournie par le système d'air comprimé ne dépasse pas la pression permise maximale de la cloueuse. Réglez d'abord la pression d'air sur la plus basse valeur de pression permise recommandée.
- N'essayez pas de garder l'élément de contact de la gâchette enfoncé à l'aide de ruban ou de fil. Il y a risque de décès ou de blessure grave.
- Vérifiez toujours l'élément de contact en suivant les instructions du présent manuel. Des clous risquent d'être éjectés accidentellement si le mécanisme de sécurité ne fonctionne pas correctement.

CONSERVEZ CES INSTRUCTIONS.

INSTALLATION

Sélection du compresseur



- Sélectionnez un compresseur dont la pression et la sortie d'air sont suffisantes pour assurer un bon rapport coût-rendement lors de l'utilisation. Le graphique montre la relation entre la fréquence de clouage, la pression applicable et la sortie d'air du compresseur. Ainsi, par exemple, si le clouage s'effectue à un taux d'environ 60 clous par minute avec une compression de 0,69 MPa (6,9 bar), il faudra un compresseur dont la sortie d'air est supérieure à 60 L/min. Il faut utiliser des régulateurs de pression pour limiter la pression d'air à la pression nominale de l'outil si la pression d'alimentation en air excède la pression nominale de l'outil. Autrement il y a risque de blessure pour l'utilisateur ou les personnes se trouvant à proximité.

Sélection du tuyau d'air (Fig. 2)

- Utilisez un tuyau d'air aussi gros et court que possible pour assurer un clouage continu et efficace. Avec une pression d'air de 0,49 MPa (4,9 bar), on recommande un tuyau d'air d'un diamètre interne supérieur à 6,5 mm (1/4") et d'une longueur inférieure à 20 mm (6,6 pi) pour un intervalle de clouage de 0,5 seconde. Les tuyaux d'alimentation en air doivent avoir une pression minimale de travail de 1,03 MPa (10,3 bar) ou de 150% la pression maximale produite par le système, la plus élevée de ces valeurs étant adoptée.

ATTENTION :

- La capacité d'entraînement de l'outil risque de diminuer si la sortie d'air du compresseur est faible ou si le diamètre du tuyau d'air est trop grand ou trop petit par rapport à la fréquence de clouage.

Lubrification (Fig. 3 et 4)

Pour assurer un rendement optimal, installez un dispositif d'air (huileur, régulateur, filtre à air) le plus près possible de l'outil. Réglez le huileur de sorte qu'une goutte d'huile soit fournie tous les 50 clous. Lorsqu'un dispositif d'air n'est pas utilisé, huilez l'outil avec de l'huile pour outil pneumatique en versant 2 (deux) ou 3 (trois) gouttes dans le raccord à air. Cela doit être fait avant et après l'utilisation. Pour une lubrification adéquate, il faut activer l'outil à quelques reprises après y avoir versé de l'huile à outil pneumatique.

DESCRIPTION DU FONCTIONNEMENT

ATTENTION :

- Déconnectez toujours le tuyau avant de régler ou de vérifier le fonctionnement de l'outil.

Réglage de la profondeur de clouage (Fig. 5)

Pour régler la profondeur de clouage, tournez la bague de réglage. La profondeur de réglage est maximale lorsque la bague de réglage est tournée complètement dans le sens A indiqué sur la figure. Elle diminue à mesure que l'on tourne la bague de réglage dans le sens B. S'il n'est pas possible de planter les clous assez profondément lorsque la bague de réglage est complètement tournée dans le sens A, augmentez la pression d'air. Si les clous sont plantés trop profondément même lorsque la bague de réglage est complètement tournée dans le sens B, réduisez la pression d'air. En général, la durée de service de l'outil sera plus longue si l'outil est utilisé avec une pression d'air plus basse et si la bague de réglage est placée sur une profondeur de clouage plus faible.

ATTENTION :

- Déconnectez toujours le tuyau avant de régler la profondeur de clouage.

Crochet (Fig. 6)

ATTENTION :

- Déconnectez toujours le tuyau de l'outil.
- Ne suspendez jamais l'outil dans un endroit élevé ou sur une surface qui risque d'être instable.

L'outil est équipé d'un crochet pratique qui permet de le suspendre temporairement.

ASSEMBLAGE

ATTENTION :

- Déconnectez toujours le tuyau avant d'effectuer tout travail sur l'outil.
- Chargez des clous de même type, de même taille et de longueur uniforme dans le magasin.

Chargement de la cloueuse

Appuyez sur le levier et ouvrez la porte coulissante du magasin en la tirant vers vous tout en maintenant la pression sur le levier. (Fig. 7)

Alignez la bande de clous sur les rainures au bas du magasin et poussez tous les clous vers l'ouverture d'éjection. (Fig. 8)

Fermez la porte coulissante.

Adaptateur de bec (Fig. 9 et 10)

ATTENTION :

- Déconnectez toujours le tuyau avant d'installer l'adaptateur de bec.

Pour éviter de rayer ou d'endommager la surface de la pièce, utilisez l'adaptateur de bec en alignant la partie saillante à l'intérieur de ce dernier sur l'encoche à l'intérieur du bras de contact.

Remettez l'adaptateur de bec en place après l'utilisation. Vous pouvez le ranger d'un côté comme de l'autre de l'outil, ou dans son étui de transport.

Connexion du tuyau d'air (Fig. 11)

Glissez la prise d'air du tuyau d'air dans le raccord à air de la cloueuse. Assurez-vous que la prise d'air se verrouille fermement en position une fois installée dans le raccord à air. Un coupleur de tuyau doit être installé sur ou près de l'outil, de sorte que le réservoir de pression se vide lorsque le coupleur d'alimentation en air est déconnecté.

UTILISATION

Pour planter un clou, vous pouvez placer l'élément de contact contre la pièce et appuyer sur la gâchette. (Fig. 12)

ATTENTION :

- AVEC LA GÂCHETTE MAINTENUE À MI-COURSE, un clouage inattendu risque de se produire si l'élément de contact touche à nouveau la pièce ou toute autre surface sous l'effet du recul.
- Pour éviter ce clouage inattendu, procédez comme suit ;
 - A. N'appliquez pas une force excessive lorsque vous placez l'élément de contact contre la pièce.
 - B. Appuyez à fond sur la gâchette et maintenez-la enfoncée pendant 1 à 2 secondes après le clouage.

Sens de la sortie d'air (Fig. 13)

Le sens de la sortie d'air peut être modifié sur une plage d'angles de 360 degrés en tournant manuellement le couvercle de sortie d'air.

Retrait des clous

ATTENTION :

- N'utilisez pas les clous ou bandes de clous déformés. Autrement l'alimentation en clous risque d'être médiocre.

AVERTISSEMENT :

- Déconnectez toujours le tuyau avant de retirer les clous.

Ouvrez la porte coulissante et retirez les clous du magasin. (Fig. 14)

En laissant la porte coulissante ouverte, ouvrez la porte et retirez les clous.

Le retrait du capuchon de contact facilite la sortie des clous. Pour remettre le capuchon de contact en place, insérez sa partie saillante dans l'entaille du bras de contact. (Fig. 15 et 16)

Clous

Manipulez les bandes de clous et leur boîte avec soin. Si les bandes de clous sont manipulées brusquement elles risquent de se déformer ou de se détacher, causant une alimentation en clous médiocre. (Fig. 17)

Évitez de ranger les clous dans un endroit très humide, très chaud ou exposé directement aux rayons du soleil. (Fig. 18)

MAINTENANCE

ATTENTION :

- Déconnectez toujours le tuyau avant d'effectuer l'inspection ou la maintenance.

Maintenance de la cloueuse

Avant d'utiliser l'outil, assurez-vous qu'il est en bon état et qu'aucune de ses vis n'est desserrée. Le cas échéant, serrez les vis. (Fig. 19)

Avec l'outil déconnecté, effectuez une inspection quotidienne pour vous assurer que l'élément de contact et la gâchette se déplacent librement. N'utilisez pas l'outil si l'élément de contact ou la gâchette se bloque ou se coince. (Fig. 20)

Si l'outil doit demeurer inutilisé pour une période prolongée, lubrifiez-le avec de l'huile pour outil pneumatique et rangez-le dans un endroit sûr. Évitez de l'exposer directement aux rayons du soleil et/ou à un environnement humide ou chaud. (Fig. 21 et 22)

Maintenance du compresseur, du dispositif d'air et du tuyau d'air

Après l'utilisation, vidangez toujours le réservoir du compresseur et le filtre à air. Si le l'humidité pénètre dans l'outil, elle risque de causer un rendement médiocre, voire une panne de l'outil. (Fig. 23 et 24)

Vérifiez régulièrement qu'il y a assez d'huile pour outil pneumatique dans le huileur du dispositif d'air. Les joints toriques s'useront rapidement en cas de lubrification insuffisante. (Fig. 25)

Gardez le tuyau d'air à l'écart de la chaleur (plus de 60 °C ou 140 °F) et des produits chimiques (diluant, acides puissants ou alcalis). Faites courir le tuyau à l'écart de tout obstacle sur lequel il risquerait dangereusement de se coincer pendant l'utilisation. Les tuyaux doivent être placés à l'écart des bords tranchants et des zones qui peuvent entraîner de dommages ou de l'abrasion sur le tuyau. (Fig. 26)

Pour maintenir la SÉCURITÉ et la FIABILITÉ du produit, les réparations et tout autre travail de maintenance ou de réglage doivent être effectués dans un centre de service Makita agréé exclusivement avec des pièces de rechange Makita.

ACCESSOIRES

ATTENTION :

- Ces accessoires ou pièces complémentaires sont recommandés pour l'utilisation avec l'outil Makita spécifié dans ce manuel. L'utilisation de tout autre accessoire ou pièce complémentaire peut comporter un risque de blessure. Utilisez uniquement l'accessoire ou la pièce complémentaire dans le but spécifié.

Si vous désirez obtenir plus de détails concernant ces accessoires, veuillez contacter le centre de service après-vente Makita le plus proche.

- Clous
- Tuyaux d'air
- Lunettes de sécurité

DEUTSCH

Erklärung der Gesamtdarstellung

- | | | |
|------------------------|----------------------|-------------------|
| 1. Schutzbrille | 7. Adapternase | 13. Kontaktspitze |
| 2. Gesichtsschutz | 8. Aufbewahrungsort | 14. Kontaktarm |
| 3. Druckluftwerkzeugöl | 9. Anschlussnippel | 15. Ablasshahn |
| 4. Einsteller | 10. Anschlussmuffe | 16. Luftfilter |
| 5. Einhängelclip | 11. Auslassabdeckung | 17. Öl |
| 6. Vorsprung | 12. Riegel | 18. Druckluftöl |

TECHNISCHE ANGABEN

Modell	AF505
Luftdruck	0,39 - 0,78 MPa (3,9 - 7,8 bar)
Nagellänge	15 mm - 50 mm
Nagelkapazität	100 St.
Abmessungen (L x H x B)	260 mm x 64 mm x 237 mm
Min. Schlauchdurchmesser	6,5 mm
Nettogewicht	1,4 kg

Symbole

END106-1

Im Folgenden sind die Symbole dargestellt, die im Zusammenhang mit der Ausrüstung verwendet werden. Es ist wichtig, dass Sie deren Bedeutung vor dem Einsatz des Werkzeugs kennen.



..... Lesen Sie die vorliegende Betriebsanleitung.



..... Tragen Sie eine Schutzbrille.



..... Nicht auf Gerüsten, Leitern verwenden.

WICHTIGE SICHERHEITSGESETZE

ENB100-2

WARNUNG: BEI DER BENUTZUNG DIESES WERKZEUGS MÜSSEN ZUR VERRINGERUNG DER VERLETZUNGSGEFAHR STETS DIE GRUNDSÄTZLICHEN SICHERHEITSHINWEISE, EINSCHLIESSLICH DER FOLGENDEN HINWEISE, BEFOLGT WERDEN:

LESEN SIE ALLE ANWEISUNGEN SORGFÄLTIG DURCH.

- Um Ihre persönliche Sicherheit und sachgerechten Betrieb und Wartung des Werkzeugs zu gewährleisten, sollten Sie diese Bedienungsanleitung vor der Benutzung des Werkzeugs durchlesen.
- Tragen Sie zum Schutz Ihrer Augen vor Staub oder Nagelverletzungen stets eine Schutzbrille.

WARNUNG:

- Der Arbeitgeber ist dafür verantwortlich, den Gebrauch von Schutzbrillen für die Werkzeugbenutzer und andere Personen im unmittelbaren Arbeitsbereich durchzusetzen.

Nur Australien und Neuseeland

Tragen Sie zum Schutz Ihrer Augen vor Staub oder Nagelverletzungen stets eine Schutzbrille und einen Gesichtsschutz. Die Schutzbrille und der Gesichtsschutz müssen die Anforderungen der Regelung AS/NZS 1336 erfüllen.

WARNUNG:

Der Arbeitgeber ist dafür verantwortlich, den Gebrauch von Schutzbrillen für die Werkzeugbenutzer und andere Personen im unmittelbaren Arbeitsbereich durchzusetzen. (Abb. 1)

- Tragen Sie einen Gehörschutz, um Ihre Ohren vor dem Auslassgeräusch zu schützen, und tragen Sie darüber hinaus einen Kopfschutz. Tragen Sie auch leichte, aber

- keine lose Kleidung. Ärmel müssen zugeknöpft oder hochgerollt werden. Tragen Sie keine Krawatte.
- Eile bei der Arbeit oder gewaltsamer Gebrauch des Werkzeugs ist gefährlich. Behandeln Sie das Werkzeug sorgfältig. Benutzen Sie das Werkzeug nicht unter dem Einfluss von Alkohol, Drogen oder dergleichen.
 - Allgemeine Richtlinien zur Handhabung des Werkzeugs:
 - (1) Gehen Sie stets davon aus, dass das Werkzeug Nägel enthält.
 - (2) Richten Sie das Werkzeug niemals auf sich selbst oder andere Personen, ganz gleich, ob es Nägel enthält oder nicht.
 - (3) Betätigen Sie das Werkzeug nur, wenn es fest auf das Werkstück aufgesetzt ist.
 - (4) Respektieren Sie das Werkzeug als Arbeitsmittel.
 - (5) Albern Sie nicht herum.
 - (6) Halten oder tragen Sie das Werkzeug nicht mit dem Finger am Auslöser.
 - (7) Laden Sie das Werkzeug nicht mit Nägeln, wenn eines der Bedienungselemente aktiviert ist.
 - (8) Betreiben Sie das Werkzeug nur mit der in den Betriebs-/Sicherheitsanweisungen des Werkzeugs angegebenen Energiequelle.
 - Benutzen Sie das Werkzeug nicht, wenn es nicht einwandfrei funktioniert.
 - Bei der Benutzung des Werkzeugs können manchmal Funken fliegen. Benutzen Sie das Werkzeug nicht in der Nähe leicht flüchtiger, brennbarer Substanzen wie Benzin, Verdünnern, Lack, Gas, Klebstoff usw., weil diese Feuer fangen und explodieren können, was schwere Verletzungen zur Folge haben kann.
 - Der Arbeitsplatz sollte ausreichend beleuchtet sein, um sicheres Arbeiten zu gewährleisten. Der Arbeitsplatz sollte sauber und aufgeräumt sein. Achten Sie besonders auf guten Stand und Gleichgewicht.
 - Nur mit der Arbeit beschäftigte Personen sollten sich in der Nähe aufhalten. Besonders Kinder müssen immer ferngehalten werden.
 - Befolgen Sie etwaige örtliche Lärmschutzvorschriften, indem Sie die Geräuschpegel innerhalb der vorgeschriebenen Grenzen halten. In bestimmten Fällen sollten Jalousien verwendet werden, um Lärm einzudämmen.
 - Spielen Sie nicht mit dem Kontaktfuß: Er verhindert ein versehentliches Auslösen. Daher muss er montiert bleiben und darf nicht entfernt werden. Die Arretierung des Auslösers in Einschaltstellung ist ebenfalls sehr gefährlich. Versuchen Sie niemals, den Auslöser zu arretieren. Benutzen Sie das Werkzeug nicht, falls irgendein Bedienungselement des Werkzeugs funktionsunfähig, abgetrennt, abgeändert oder mangelhaft ist.
 - Betreiben Sie das Werkzeug innerhalb des vorgeschriebenen Luftdruckbereichs von 0,39 – 0,78 MPa (3,9 - 7,8 bar), um Sicherheit und längere Lebensdauer des Werkzeugs zu gewährleisten. Überschreiten Sie nicht den empfohlenen max. Betriebsdruck von 0,78 MPa (7,8 bar). Das Werkzeug darf nicht an eine Druckluftquelle angeschlossen werden, deren Druck 1,37 MPa (13,7 bar) überschreiten kann.
 - Vergewissern Sie sich, dass der vom Druckluftsystem gelieferte Luftdruck nicht den höchstzulässigen Luftdruck des Naglers überschreitet. Stellen Sie den Luftdruck anfänglich auf den niedrigeren Wert des empfohlenen zulässigen Drucks ein (siehe TECHNISCHE DATEN).
 - Betreiben Sie das Werkzeug nur mit Luftdruck. Falls Flaschengas (Kohlendioxid, Sauerstoff, Stickstoff, Wasserstoff, Pressluft usw.) oder brennbares Gas (Wasserstoff, Propan, Acetylen usw.) als Treibgas für dieses Werkzeug verwendet wird, besteht die Gefahr, dass das Werkzeug explodiert und schwere Verletzungen verursacht.
 - Überprüfen Sie das Werkzeug vor der Benutzung stets auf seinen Allgemeinzustand und lockere Schrauben. Erforderlichenfalls anziehen.
 - Vergewissern Sie sich vor der Benutzung, dass alle Sicherheitssysteme in gutem Betriebszustand sind. Das Werkzeug darf nicht auslösen, wenn nur der Auslöser gezogen oder nur der Kontaktarm gegen das Holz gedrückt wird. Es darf nur auslösen, wenn beide Aktionen durchgeführt werden. Führen Sie Tests ohne Nägel im Werkzeug durch, um einen eventuell fehlerhaften Betrieb festzustellen.
 - Überprüfen Sie Wand, Decke, Fußboden, Dach und dergleichen sorgfältig, um durch Kontakt mit Strom führenden Kabeln, Isolierrohren oder Gasrohren verursachte mögliche elektrische Schläge, Gaslecks, Explosionen usw. zu vermeiden.
 - Verwenden Sie nur die in dieser Anleitung angegebenen Nägel. Die Verwendung anderer Nägel kann eine Funktionsstörung des Werkzeugs verursachen.
 - Benutzen Sie niemals mit der Aufschrift „Nicht auf Gerüsten, Leitern verwenden“ versehene Nagler für spezifische Anwendungen wie z. B.:
 - wenn für einen Arbeitsplatzwechsel Gerüste, Treppen, Leitern oder leiterähnliche Konstruktionen wie z. B. Dachlatten erforderlich sind;
 - zum Verschließen von Kisten oder Verschlagen;
 - zum Anbringen von Transportsicherheitssystemen z. B. an Fahrzeugen und Wagen.
 - Ungeübten Personen ist die Benutzung des Werkzeugs zu untersagen.
 - Vergewissern Sie sich, dass keine Personen in der Nähe sind, bevor Sie mit dem Nageln beginnen. Versuchen Sie niemals, gleichzeitig von innen und außen zu nageln. Nägel können durchlagen und/oder herausfliegen, was eine große Gefahr darstellt.
 - Achten Sie beim Arbeiten mit dem Werkzeug auf sicheren Stand und Gleichgewicht. Vergewissern Sie sich, dass sich bei Arbeiten an hochgelegenen Arbeitsplätzen keine Personen unterhalb aufhalten, und sichern Sie den Luftschlauch, um Gefahren zu vermeiden, falls er plötzlich ruckt oder hängen bleibt.
 - Bewegen Sie sich beim Nageln auf Dächern und anderen hochgelegenen Orten in Vorwärtsrichtung. Wenn Sie sich rückwärts bewegen, können Sie leicht den Stand verlieren. Nageln Sie bei Arbeiten an senkrechten Flächen von oben nach unten. Dadurch ermüden Sie nicht so schnell beim Nageln.

- Ein Nagel kann sich verbiegen oder im Werkzeug verklemmen, wenn Sie versehentlich auf einen anderen Nagel oder ein Astloch im Holz treffen. Der Nagel kann herausgeschleudert werden und jemanden treffen, oder das Werkzeug selbst kann gefährlich reagieren. Setzen Sie die Nägel mit Sorgfalt.
- Lassen Sie das geladene Werkzeug oder den Kompressor nicht längere Zeit unter Druck in der Sonne liegen. Achten Sie darauf, dass am Ablageplatz des Werkzeugs kein Staub, Sand, Späne oder Fremdkörper in das Werkzeug eindringen.
- Richten Sie die Auswurföffnung nicht auf in der Nähe befindliche Personen. Halten Sie Hände und Füße vom Bereich der Auswurföffnung fern.
- Tragen Sie das Werkzeug bei angeschlossenem Luftschlauch nicht mit dem Finger am Auslöser, und übergeben Sie es in diesem Zustand auch nicht an andere Personen. Versehentliche Auslösung kann äußerst gefährlich sein.
- Behandeln Sie das Werkzeug sorgfältig, da es unter hohem Druck steht, der gefährlich sein kann, falls ein Riss durch grobe Behandlung (Fallenlassen oder Anstoßen) verursacht wird. Versuchen Sie nicht, in das Werkzeug einzuritzen oder einzugravieren.
- Brechen Sie den Nagelbetrieb sofort ab, wenn Sie einen Defekt oder etwas Ungewöhnliches am Werkzeug feststellen.
- Trennen Sie stets den Luftschlauch ab, und entfernen Sie alle Nägel:
 - (1) Wenn das Werkzeug unbeaufsichtigt ist.
 - (2) Bevor Sie Wartungs- oder Reparaturarbeiten durchführen. Nagelfrequenz (Auslösungen/Minute)
 - (3) Bevor Sie einen Nagelstau beseitigen.
 - (4) Bevor Sie das Werkzeug zu einem anderen Ort transportieren.
- Führen Sie eine Reinigung und Wartung unmittelbar nach Abschluss der Arbeiten durch. Halten Sie das Werkzeug stets in einwandfreiem Zustand. Schmieren Sie bewegliche Teile, um Rostbildung zu verhindern und Reibungsverschleiß zu minimieren. Säubern Sie alle Teile von Staub.
- Benutzen Sie dieses Werkzeug nicht, wenn kein lesbares WARNSCHILD angebracht ist.
- Nehmen Sie keine Änderungen am Werkzeug vor, die nicht von Makita genehmigt wurden.
- Lassen Sie das Werkzeug regelmäßig von autorisierten Makita-Servicecentern überprüfen.
- Um die SICHERHEIT und ZUVERLÄSSIGKEIT des Produkts zu gewährleisten, sollten Wartungsarbeiten und Reparaturen nur durch von Makita autorisierte Servicecenter durchgeführt und immer Makita-Ersatzteile verwendet werden.
- Verwenden Sie nur das in dieser Anleitung angegebene Druckluftwerkzeugöl.
- Schließen Sie das Werkzeug niemals an eine Druckluftleitung an, bei der der maximal zulässige Luftdruck des Werkzeugs nicht um 10% überschritten werden kann. Vergewissern Sie sich, dass der vom Druckluftsystem gelieferte Luftdruck nicht den höchstzulässigen Luftdruck des Naglers überschreitet. Stellen Sie den Luftdruck anfänglich auf den

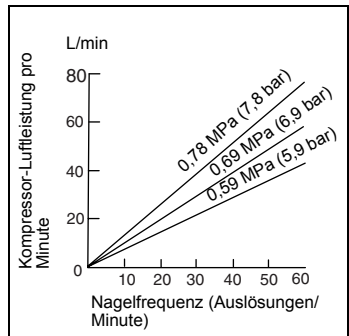
niedrigeren Wert des empfohlenen zulässigen Drucks ein.

- Versuchen Sie nicht, das Kontaktelement des Auslösers mittels Klebeband oder Draht dauerhaft in gedrückter Stellung zu fixieren. Dies kann zum Tod oder zu schweren Verletzungen führen.
- Überprüfen Sie stets das Kontaktelement wie im vorliegenden Handbuch angegeben. Wenn der Sicherheitsmechanismus nicht ordnungsgemäß funktioniert, können Nägel versehentlich eingetrieben werden.

BEWAHREN SIE DIESE ANWEISUNGEN SORGFÄLTIG AUF.

INSTALLATION

Kompressorwahl



- Wählen Sie einen Kompressor mit reichlicher Luftdruck- und Luftmengenleistung, um kosteneffizienten Betrieb zu gewährleisten. Das Diagramm zeigt die Beziehung zwischen Nagelfrequenz, anwendbarem Druck und Kompressor-Luftleistung. Wenn der Nagelbetrieb z. B. mit einer Rate von ca. 60 Auslösungen pro Minute bei einem Druck von 0,69 MPa (6,9 bar) erfolgt, ist ein Kompressor mit einer Luftmengenleistung von über 60 Litern pro Minute erforderlich. Druckregler müssen verwendet werden, um den Luftdruck auf den Nenndruck des Werkzeugs zu begrenzen, wenn der Luftquellendruck den Nenndruck des Werkzeugs überschreitet. Eine Missachtung dieses Punkts kann zu schweren Verletzungen des Bedieners oder in der Nähe befindlicher Personen führen.

Auswahl des Luftschlauchs (Abb. 2)

- Verwenden Sie einen möglichst dicken und kurzen Luftschlauch, um kontinuierlichen, effizienten Nagelbetrieb zu gewährleisten. Bei einem Luftdruck von 0,49 MPa (4,9 bar) wird ein Luftschlauch mit einem Innendurchmesser von über 6,5 mm (1/4") und einer Länge von unter 20 m (6,6 ft.) empfohlen, wenn das Nagelintervall 0,5 Sekunden beträgt. Die Luftdruckschläuche sollten entweder einen Mindestarbeitsdruck von 1,03 MPa (10,3 bar) oder 150 Prozent des Maximaldrucks des

Kompressorsystems haben. Dies ist abhängig davon, welcher von beiden höher ist.

ACHTUNG:

- Eine zu geringe Luftleistung des Kompressors oder ein Luftschlauch mit einer zu großen Länge oder einem zu kleinen Durchmesser in Bezug auf die Nagelfrequenz kann eine Abnahme der Eintreibleistung des Werkzeugs verursachen.

Schmierung (Abb. 3 u. 4)

Um maximale Leistung zu gewährleisten, sollte der Luftsatz (Öler, Regler, Luftfilter) möglichst nahe am Werkzeug installiert werden. Stellen Sie den Öler so ein, dass er einen Tropfen Öl für jeweils 50 Nägel liefert. Wenn der Luftsatz längere Zeit nicht verwendet wird, ölen Sie das Werkzeug mit Druckluftwerkzeugöl, indem Sie 2 (zwei) bis 3 (drei) Tropfen in den Anschlussnippel geben. Dies sollte vor und nach dem Gebrauch erfolgen. Für eine einwandfreie Schmierung muss das Werkzeug ein paar Mal ausgelöst werden, nachdem das Druckluftwerkzeugöl eingespritzt wurde.

FUNKTIONSBESCHREIBUNG

ACHTUNG:

- Trennen Sie stets den Schlauch ab, bevor Sie das Werkzeug einstellen oder dessen Funktionen überprüfen.

Einstellen der Nageltiefe (Abb. 5)

Um die Nageltiefe einzustellen, drehen Sie den Einsteller. Die größte Nageltiefe ist gegeben, wenn der Einsteller vollständig in Richtung A wie in der Abbildung dargestellt zeigt. Die Nageltiefe wird immer geringer, je mehr Sie den Einsteller in Richtung B drehen. Falls die Eintreibtiefe der Nägel nicht groß genug ist, selbst wenn der Einsteller vollständig in Richtung A gedreht wird, erhöhen Sie den Luftdruck. Falls die Eintreibtiefe der Nägel zu groß ist, selbst wenn der Einsteller vollständig in Richtung B gedreht wird, verringern Sie den Luftdruck. Im Allgemeinen verlängert sich die Lebensdauer des Werkzeugs, wenn es bei niedrigerem Luftdruck verwendet und der Einsteller auf eine geringere Eintreibtiefe eingestellt wird.

ACHTUNG:

- Trennen Sie stets den Schlauch ab, bevor Sie die Nageltiefe einstellen.

Einhängeclip (Abb. 6)

ACHTUNG:

- Trennen Sie stets den Schlauch vom Werkzeug ab.
- Haken Sie das Werkzeug niemals an erhöhten Orten oder an einer instabilen Oberfläche ein.

Der Einhängeclip ist nützlich, wenn Sie das Werkzeug vorübergehend aufhängen möchten.

MONTAGE

ACHTUNG:

- Trennen Sie stets den Schlauch ab, bevor Sie Arbeiten am Werkzeug ausführen.

- Achten Sie beim Laden von Nägeln in das Magazin darauf, dass Typ, Größe und Länge der Nägel einheitlich sind.

Beladen des Naglers

Drücken Sie den Hebel, und öffnen Sie die Schiebetür des Magazins, indem Sie diese zu sich her ziehen und gleichzeitig den Hebel gedrückt halten. **(Abb. 7)**

Richten Sie die Nagelenden an den Rillen auf der Unterseite des Magazins aus, und drücken Sie den gesamten Nagelbereich in Richtung Auslassöffnung. **(Abb. 8)**

(Abb. 8)

Schließen Sie die Schiebetür.

Adapternase (Abb. 9 u. 10)

ACHTUNG:

- Trennen Sie stets den Schlauch ab, bevor Sie die Adapternase montieren.

Damit die Oberfläche des Werkstücks nicht zerkratzt oder beschädigt wird, können Sie die Adapternase verwenden. Zur Montage müssen Sie den Vorsprung auf der Innenseite der Adapternase in die Kerbe im Kontaktarm einpassen.

Bewahren Sie die Adapternase bei Nichtgebrauch am dafür vorgesehenen Ort auf. Sie kann auf beiden Seiten des Werkzeugs und im Transportkoffer aufbewahrt werden.

Anschließen des Luftschlauchs (Abb. 11)

Schieben Sie die Anschlussmuffe des Luftschlauchs auf den Anschlussnippel des Naglers. Vergewissern Sie sich, dass die Anschlussmuffe einrastet, wenn sie auf den Anschlussnippel geschoben wird. Eine Schlauchkupplung muss so am Werkzeug oder in dessen Nähe installiert werden, dass der Druckvorrat abgelassen wird, wenn die Druckluftkupplung abgetrennt wird.

BETRIEB

Um einen Nagel einzutreiben, setzen Sie den Kontaktfuß auf das Werkstück und ziehen Sie den Auslöser.

(Abb. 12)

ACHTUNG:

- **BEI HALB GEDRÜCKTEM AUSLÖSER** kann eine plötzliche Auslösung erfolgen, falls der Kontaktfuß unter dem Einfluss des Rückpralls erneut mit dem Werkstück oder einer anderen Oberfläche in Berührung kommt.
- Um solch eine plötzliche Auslösung zu vermeiden, beachten Sie Folgendes:
 - A. Drücken Sie den Kontaktfuß nicht mit übermäßiger Kraft gegen das Werkstück.
 - B. Ziehen Sie den Auslöser ganz durch, und halten Sie ihn nach dem Nageln noch 1-2 Sekunden lang gedrückt.

Abluftrichtung (Abb. 13)

Der Winkel der Abluftrichtung kann um 360 Grad geändert werden, indem die Auslassabdeckung von Hand entsprechend gedreht wird.

Entfernen der Nägel

ACHTUNG:

- Verwenden Sie keine verformten Nägel oder Nagelleisten. Andernfalls wird die Nagelzufuhr beeinträchtigt.

WARNUNG:

- Trennen Sie stets den Schlauch ab, bevor Sie die Nägel entfernen.

Öffnen Sie die Schiebetür, und entfernen Sie die Nägel aus dem Magazin. (Abb. 14)

Öffnen Sie die Tür bei geöffneter Schiebetür, und nehmen Sie die Nägel heraus.

Wenn Sie die Kontaktspitze entfernen, lassen sich die Nägel einfach herausnehmen. Wenn Sie die Kontaktspitze wieder einsetzen, setzen Sie den Vorsprung der Kontaktspitze in die Kerbe am Kontaktarm. (Abb. 15 & 16)

Nägel

Behandeln Sie Nagelcoils und ihre Schachteln sorgfältig. Bei grober Behandlung der Nagelcoils können sie sich verformen, oder ihre Verbinder können brechen, was schlechten Nageltransport verursacht. (Abb. 17)

Vermeiden Sie die Lagerung von Nägeln an sehr feuchten oder heißen Orten oder an Orten, die direktem Sonnenlicht ausgesetzt sind. (Abb. 18)

WARTUNG

ACHTUNG:

- Trennen Sie stets den Schlauch ab, bevor Sie eine Inspektion oder Wartung durchführen.

Wartung des Naglers

Überprüfen Sie das Werkzeug vor der Benutzung stets auf seinen Allgemeinzustand und lockere Schrauben. Erforderlichenfalls anziehen. (Abb. 19)

Führen Sie die tägliche Inspektion bei abgetrenntem Luftschlauch durch, um sicherzustellen, dass sich Kontaktfuß und Auslöser ungehindert bewegen. Benutzen Sie das Werkzeug nicht, falls der Kontaktfuß oder der Auslöser klemmt oder blockiert. (Abb. 20)

Wenn das Werkzeug längere Zeit nicht benutzt werden soll, schmieren Sie es mit Druckluftwerkzeugöl, und lagern Sie es an einem sicheren Ort. Vermeiden Sie Orte, die direktem Sonnenlicht ausgesetzt sind und/oder feuchte oder heiße Umgebungen. (Abb. 21 & 22)

Wartung von Kompressor, Luftsatz und Luftschlauch

Nach jedem Betrieb sollten Kompressortank und Luftfilter entleert werden. In das Werkzeug eingedrungene Feuchtigkeit kann eine Verschlechterung der Leistung und ein mögliches Versagen des Werkzeugs verursachen. (Abb. 23 & 24)

Prüfen Sie regelmäßig, ob genügend Druckluftöl im Öl der Luftsätze vorhanden ist. Eine Vernachlässigung der Schmierung führt zu schnellem Verschleiß der O-Ringe. (Abb. 25)

Halten Sie den Luftschlauch von Wärmequellen (über 60°C, über 140 °F) und Chemikalien (Verdüner, starken Säuren oder Laugen) fern. Achten Sie auch darauf, dass

sich der Schlauch nicht an Hindernissen verfängt, was während des Betriebs gefährlich sein kann. Der Schlauch darf auch nicht mit scharfen Kanten oder Gegenständen in Berührung kommen, die eine Beschädigung oder Abrieb des Schlauchs verursachen können. (Abb. 26)

Um die SICHERHEIT und ZUVERLÄSSIGKEIT des Produkts zu gewährleisten, sollten Reparaturen, Wartungsarbeiten und Einstellungen nur durch von Makita autorisierte Servicecenter durchgeführt und immer Makita-Ersatzteile verwendet werden.

ZUBEHÖR

ACHTUNG:

- Die folgenden Zubehör- und Zusatzteile werden für das in diesem Handbuch beschriebene Makita-Werkzeug empfohlen. Die Verwendung anderer Zubehör- und Zusatzteile kann zu Personenschäden führen. Verwenden Sie Zubehör- und Zusatzteile nur für den vorgesehenen Zweck.

Informationen zu diesem Zubehör erhalten Sie bei einem Makita-Servicecenter in Ihrer Nähe.

- Nägel
- Luftschläuche
- Schutzbrille

Spiegazione della vista generale

- | | | |
|---------------------------|-------------------------------|--------------------------|
| 1. Occhiali di protezione | 7. Adattatore esterno | 13. Fermo superiore |
| 2. Visiera protettiva | 8. Scomparto portaoggetti | 14. Braccio di contatto |
| 3. Olio pneumatico | 9. Elemento aria | 15. Rubinetto di scarico |
| 4. Regolatore | 10. Presa aria | 16. Filtro aria |
| 5. Gancio | 11. Coperchio di ventilazione | 17. Oliatore |
| 6. Sporgenza | 12. Dispositivo di chiusura | 18. Olio pneumatico |

CARATTERISTICHE TECNICHE

Modello	AF505
Pressione aria	0,39 – 0,78 Mpa (3,9 – 7,8 bar)
Lunghezza chiodi	15 mm - 50 mm
Capacità chiodi	100 pz.
Dimensioni (L x P x A)	260 mm x 64 mm x 237 mm
Diametro minimo tubo	6,5 mm
Peso netto	1,4 kg

Simboli

END106-1

Il seguente elenco riporta i simboli utilizzati per l'apparecchio. È importante comprenderne il significato prima di utilizzare l'utensile.



..... Leggere il manuale di istruzioni.



..... Indossare occhiali di protezione.



..... Non utilizzare su impalcature o scale a pioli.

ISTRUZIONI IMPORTANTI PER LA SICUREZZA

ENB100-2

AVVERTENZA: PER RIDURRE IL RISCHIO DI LESIONI PERSONALI, QUANDO SI UTILIZZA QUESTO UTENSILE È NECESSARIO OSSERVARE SEMPRE LE PRECAUZIONI DI BASE PER LA SICUREZZA, COMPRESSE LE PRECAUZIONI SEGUENTI:

LEGGERE TUTTE LE ISTRUZIONI.

- Per la propria sicurezza personale e per il funzionamento e la manutenzione corretti dell'utensile, leggere questo manuale di istruzioni prima di utilizzarlo.
- Portare sempre gli occhiali di protezione per proteggere gli occhi dalla polvere o dai chiodi.

AVVERTENZA:

- È responsabilità del datore di lavoro obbligare chi utilizza l'utensile e le persone nelle immediate vicinanze a indossare occhiali di protezione.

Solo per l'Australia e la Nuova Zelanda

Portare sempre gli occhiali di protezione e la visiera per proteggere gli occhi dalla polvere o dai chiodi. Gli occhiali di protezione e la visiera devono essere conformi ai requisiti della legge AS/NZS 1336.

AVVERTENZA:

È responsabilità del datore di lavoro obbligare chi utilizza l'utensile e le persone nelle immediate vicinanze a indossare occhiali di protezione (**Fig. 1**).

- Indossare paraorecchi per proteggere le orecchie dal rumore di scarico. Indossare anche un casco. Indossare sempre abiti leggeri e aderenti. Le maniche devono essere abbottonate o rimboccate. Non indossare la cravatta.
- È pericoloso lavorare con molta fretta o mettere l'utensile sotto sforzo. Maneggiare l'utensile con attenzione. Non usarlo sotto l'influenza di alcol, droghe e sostanze simili.

- Principi generali per l'uso sicuro dell'utensile:
 - (1) Essere consapevoli che l'utensile contiene chiodi.
 - (2) Non puntare l'utensile su di sé o sugli altri, che contenga chiodi o meno.
 - (3) Non attivare l'utensile se non è appoggiato saldamente al pezzo.
 - (4) Utilizzare l'utensile come uno strumento di lavoro.
 - (5) Non giocare con l'utensile.
 - (6) Non tenere o trasportare l'utensile tenendo con un dito sul grilletto.
 - (7) Non caricare i chiodi nell'utensile quando è attivato uno qualsiasi dei controlli di funzionamento.
 - (8) Non far funzionare l'utensile con una fonte di alimentazione diversa da quella specificata nelle istruzioni per l'uso e la sicurezza.
- Non utilizzare l'utensile se non funziona correttamente.
- Quando si usa l'utensile, è possibile che vengano generate scintille. Non usare l'utensile vicino a sostanze volatili e infiammabili, quali benzina, solventi, vernici, gas, adesivi, ecc., perché possono accendersi ed esplodere causando lesioni gravi.
- L'area di lavoro deve essere sufficientemente illuminata per garantire un funzionamento sicuro. L'area di lavoro deve essere pulita e senza rifiuti. Prestare particolare attenzione a mantenere un buon equilibrio e i piedi appoggiati correttamente.
- Solo gli addetti ai lavori possono avvicinarsi all'area in cui viene utilizzato l'utensile. I bambini devono sempre essere tenuti lontano.
- Potrebbero esistere delle norme locali sui rumori che vanno rispettate mantenendo il livello del rumore entro i limiti prescritti. In alcuni casi, usare dei ripari per limitare il rumore.
- Non giocare con l'elemento di contatto: impedisce la scarica accidentale, per cui va mantenuto in posizione e non deve essere rimosso. Anche fissare il grilletto nella posizione ON è molto pericoloso. Non fissare mai il grilletto. Non usare l'utensile se uno qualsiasi dei suoi sistemi di controllo non può essere usato, se è staccato, modificato o se non funziona correttamente.
- Per garantire la sicurezza e la lunga vita dell'utensile, farlo funzionare con la pressione d'aria specificata compresa tra 0,39 – 0,78 MPa (3,9 – 7,8 bar). Non superare la pressione massima raccomandata di 0,78 MPa (7,8 bar). L'utensile non deve essere collegato a una fonte la cui pressione possa superare 1,37 MPa (13,7 bar).
- Accertarsi che la pressione fornita dal sistema d'aria compressa non superi la pressione massima consentita per la chiodatrice. Regolare inizialmente la pressione dell'aria sul valore più basso della pressione consentita consigliata (vedere le CARATTERISTICHE TECNICHE).
- L'utensile deve essere usato esclusivamente con aria compressa. Se come fonte di alimentazione dell'utensile si usa una bomboletta di gas (biossido di carbonio, ossigeno, azoto, idrogeno, aria, ecc.) o un gas combustibile (idrogeno, propano, acetilene, ecc.), l'utensile potrebbe esplodere causando lesioni serie.
- Prima dell'uso, controllare sempre le condizioni generali dell'utensile e accertarsi che non vi siano viti allentate. Serrarle, se necessario.
- Prima dell'uso, accertarsi che tutti i sistemi di sicurezza funzionino correttamente. L'utensile non deve funzionare se si schiaccia soltanto il grilletto o si preme soltanto il braccio di contatto contro il legno. Esso deve funzionare soltanto quando si eseguono entrambe queste operazioni. Per accertarsi che non vi siano anomalie nel funzionamento, fare una prova senza chiodi.
- Controllare con cura le pareti, i soffitti, i pavimenti e i tetti per evitare potenziali scosse elettriche, perdite di gas, esplosioni, ecc. che possono verificarsi nel caso in cui si colpiscono fili elettrici sotto tensione, tubazioni o tubi del gas.
- Usare soltanto i chiodi specificati in questo manuale. L'utilizzo di qualsiasi altro tipo di chiodi potrebbe causare il malfunzionamento dell'utensile.
- Non usare mai chiodatrici marcate con il simbolo "Non usare su impalcature, scale a pioli" per applicazioni specifiche, per esempio:
 - se il cambiamento del posto di chiodatura richiede l'utilizzo di impalcature, scale a pioli, montacarichi o altri materiali di costruzione, per esempio travi di legno;
 - per chiudere scatole o casse di legno;
 - sistemi di sicurezza per il trasporto, per es., su veicoli o vagoni;
- Non lasciare usare l'utensile da chi non lo sa usare.
- Prima della chiodatura, accertarsi che non vi sia nessuno nelle vicinanze. Non cercare di inchiodare allo stesso tempo da entrambi i lati interno e esterno. I chiodi potrebbero trapassare e/o volare via, con grave pericolo.
- Quando si utilizza l'utensile, guardare dove si mettono i piedi e mantenersi in equilibrio. Quando si lavora in luoghi alti, accertarsi che sotto non vi sia nessuno e fissare il tubo dell'aria per evitare eventuali pericoli nel caso venga spostato all'improvviso o rimanga impigliato.
- Su tetti e altri luoghi alti, eseguire la chiodatura spostando il peso in avanti. È facile perdere l'appoggio dei piedi se si esegue la chiodatura con il peso spostato all'indietro. Per inchiodare una superficie perpendicolare, procedere dall'alto verso il basso. In questo modo le operazioni di chiodatura sono meno faticose.
- Se si inchioda per sbaglio sopra un altro chiodo o su un nodo del legno, il chiodo usato potrebbe torcersi e l'utensile potrebbe incepparsi. Il chiodo potrebbe venire scagliato e colpire qualcuno, o l'utensile stesso potrebbe reagire pericolosamente. Posizionare i chiodi con cura.
- Non lasciare l'utensile carico o il compressore d'aria sotto pressione per un lungo periodo di tempo al sole. Fare attenzione che polvere, sabbia, trucioli o altre sostanze estranee non entrino nell'utensile nel luogo in cui viene lasciato.
- Non puntare il foro di espulsione su qualcuno vicino. Tenere le mani e i piedi lontani dall'area del foro di espulsione.
- Quando si collega il tubo dell'aria, non trasportare l'utensile con il dito sul grilletto, né passarlo a qualcuno

in questa condizione. L'espulsione accidentale dei chiodi può essere estremamente pericolosa.

- Maneggiare l'utensile con attenzione perché all'interno è presente un'alta pressione che può essere pericolosa se si causa una crepa maneggiandolo in modo errato (facendolo cadere o se subisce un colpo).

Fare attenzione a non intagliare o incidere l'utensile.

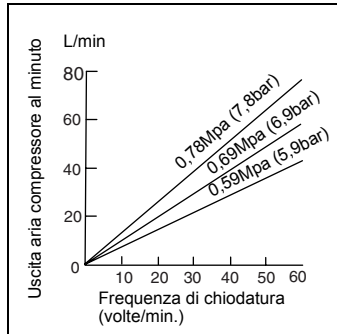
- Arrestare immediatamente la chiodatura se si nota qualcosa di sbagliato o fuori del comune nell'utensile.
- Staccare sempre il tubo dell'aria e rimuovere tutti i chiodi:
 - (1) Se l'utensile viene lasciato incustodito.
 - (2) Prima di eseguire un qualsiasi intervento di manutenzione o di riparazione. Frequenza di chiodatura (volte/min.)
 - (3) Prima di correggere un inceppamento.
 - (4) Prima di portare l'utensile in un altro luogo.

- Eseguire la pulizia e la manutenzione subito dopo la fine del lavoro. Mantenere l'utensile in ottime condizioni. Lubrificare le parti mobili per evitare che arrugginiscono e minimizzare l'usura causata dagli attriti. Togliere tutta la polvere dalle parti.
- Non utilizzare questo utensile se non contiene un'ETICHETTA DI AVVISO leggibile.
- Non modificare l'utensile senza l'autorizzazione di Makita.
- Richiedere l'ispezione periodica dell'utensile presso un centro di assistenza Makita autorizzato.
- Per conservare la SICUREZZA e l'AFFIDABILITÀ del prodotto, le riparazioni e qualsiasi altra operazione di manutenzione devono essere eseguite dai centri di assistenza autorizzati Makita utilizzando sempre parti di ricambio Makita.
- Usare soltanto l'olio pneumatico specificato in questo manuale.
- Non collegare mai l'utensile a una linea d'aria compressa in cui la pressione massima consentita per l'utensile non possa essere superata del 10%. Accertarsi che la pressione fornita al sistema d'aria compressa non superi la pressione massima consentita per l'utensile di chiodatura. Regolare inizialmente la pressione dell'aria sul valore più basso della pressione consentita consigliata.
- Non tenere l'elemento di contatto del grilletto premuto con nastro o fili. Ciò potrebbe provocare la morte o lesioni gravi.
- Controllare sempre l'elemento di contatto seguendo le istruzioni del presente manuale. Se il meccanismo di sicurezza non funziona correttamente, i chiodi potrebbero essere conficcati involontariamente.

CONSERVARE LE PRESENTI ISTRUZIONI.

INSTALLAZIONE

Selezione del compressore



- Per un funzionamento efficiente, selezionare un compressore con una pressione e un'uscita dell'aria ampie. Il grafico mostra il rapporto tra la frequenza di chiodatura, la pressione applicabile e l'uscita d'aria del compressore. Perciò, se per esempio la chiodatura avviene a una velocità di circa 60 volte al minuto a una compressione di 0,69 MPa (6,9 bar), è necessario un compressore con un'uscita dell'aria di oltre 60 L/min. È necessario utilizzare regolatori di pressione per limitare la pressione dell'aria alla pressione nominale dell'utensile se la pressione di alimentazione dell'aria supera la pressione nominale. In caso contrario, sussiste il pericolo di lesioni serie per l'operatore e per chi è vicino.

Selezione del tubo dell'aria (Fig. 2)

- Per garantire un'operazione di chiodatura efficiente e continua, usare un tubo dell'aria quanto più grande e corto possibile. Con una pressione d'aria di 0,49 Mpa (4,9 bar) e un intervallo tra una chiodatura e l'altra di 0,5 secondi, si consiglia un tubo con un diametro interno di oltre 6,5 mm (1/4") e una lunghezza di meno di 20m (6,6 ft.). I tubi di alimentazione dell'aria devono avere un coefficiente della pressione minima di esercizio di 1,03 MPa (10,3 bar) o del 150 per cento rispetto alla pressione massima prodotta nel sistema, a prescindere da qualunque di questo valore sia più alto.

ATTENZIONE:

- Una bassa uscita dell'aria del compressore o un tubo dell'aria lungo o con un diametro interno più piccolo in rapporto alla frequenza di chiodatura, potrebbero causare una diminuzione delle capacità dell'utensile.

Lubrificazione (Fig. 3 e 4)

Per garantire le massime prestazioni, installare un gruppo aria (oliatore, regolatore, filtro aria) quanto più vicino possibile all'utensile. Regolare l'oliatore in modo che venga fornita una goccia d'olio ogni 50 chiodi. Se non si usa un gruppo aria, oliare l'utensile con l'olio pneumatico mettendo 2 o 3 gocce nell'elemento dell'aria. Questo va fatto prima e dopo l'uso. Per la lubrificazione corretta, l'utensile deve essere usato un paio di volte dopo l'introduzione dell'olio pneumatico.

DESCRIZIONE FUNZIONALE

ATTENZIONE:

- Staccare sempre il tubo prima di regolare o controllare le funzioni dell'utensile.

Regolazione della profondità di chiodatura (Fig. 5)

Per regolare la profondità di chiodatura, ruotare il regolatore. La profondità di chiodatura maggiore si ha con il regolatore ruotato completamente nella direzione A, come mostrato nella figura. Essa si riduce man mano che il regolatore viene ruotato nella direzione B. Se non è possibile conficcare i chiodi a una profondità sufficiente anche con il regolatore ruotato completamente nella direzione A, aumentare la pressione dell'aria. Se non è possibile conficcare i chiodi a una profondità sufficiente anche con il regolatore ruotato completamente nella direzione B, aumentare la pressione dell'aria. In genere, la vita di servizio dell'utensile diventa più lunga se viene usato con una pressione d'aria più bassa e il regolatore impostato su un numero più basso.

ATTENZIONE:

- Staccare sempre il tubo prima di regolare la profondità di chiodatura.

Gancio (Fig. 6)

ATTENZIONE:

- Staccare sempre il tubo dall'utensile.
- Non appendere l'utensile a supporti potenzialmente instabili o in posizioni elevate.

Il gancio è utile per appendere temporaneamente l'utensile.

MONTAGGIO

ATTENZIONE:

- Staccare sempre il tubo prima di effettuare qualsiasi operazione sull'utensile.
- Quando si inseriscono chiodi nello scomparto, accertarsi che essi siano dello stesso tipo e che abbiano dimensioni e lunghezza uniformi.

Caricamento della chiodatrice

Premere la leva e aprire lo sportello scorrevole dello scomparto tirandolo verso di sé con la leva premuta (Fig. 7).

Allineare la punta dei chiodi con le scanalature sulla parte inferiore dello scomparto e spingere tutto il blocco dei chiodi verso l'apertura di espulsione (Fig. 8).

Chiudere lo sportello scorrevole.

Adattatore esterno (Fig. 9 e 10)

ATTENZIONE:

- Staccare sempre il tubo prima di installare l'adattatore esterno.

Per evitare di graffiare o danneggiare la superficie sulla quale eseguire la chiodatura, utilizzare l'adattatore esterno adattando la sporgenza della relativa parte interna con la tacca del braccio di contatto.

Quando non lo si utilizza, conservare l'adattatore esterno in un luogo sicuro. L'adattatore può essere riposto nello

scomparto portaoggetti che si trova ai lati dell'utensile o all'interno della valigetta di trasporto.

Collegamento del tubo dell'aria (Fig. 11)

Inserire la presa d'aria del tubo dell'aria sull'elemento dell'aria della chiodatrice. Accertarsi che la presa d'aria sia fissata saldamente in posizione quando è installata sull'elemento dell'aria. È necessario installare un accoppiatore del tubo sulla parte superiore o vicino all'utensile in modo che il serbatoio della pressione si scarichi quando l'accoppiatore di alimentazione dell'aria viene staccato.

FUNZIONAMENTO

Per conficcare un chiodo, mettere l'elemento di contatto contro il pezzo e schiacciare il grilletto (Fig. 12).

ATTENZIONE:

- CON IL GRILLETTO INTERRUETTORE SCHIACCIATO A METÀ, si potrebbe verificare una chiodatura inaspettata se si lascia ricontattare l'elemento di contatto con il pezzo o con l'altra superficie sotto l'effetto del contraccolpo.
- Per evitare il contraccolpo, procedere come di seguito:
A. Non posizionare l'elemento di contatto sul pezzo esercitando una forza eccessiva.
B. Tirare completamente il grilletto interruttore e mantenerlo tirato per 1 o 2 secondi dopo la chiodatura.

Direzione dell'aria di ventilazione (Fig. 13)

Ruotando il coperchio di ventilazione con una mano, è possibile modificare a 360 gradi la direzione di fuoriuscita dell'aria di ventilazione.

Rimozione dei chiodi

ATTENZIONE:

- Non utilizzare chiodi deformati o strisce di chiodi. In caso contrario si potrebbe verificare uno scarso caricamento dei chiodi.

AVVERTENZA:

- Staccare sempre il tubo prima di rimuovere i chiodi.

Aprire lo sportello scorrevole e rimuovere i chiodi dallo scomparto (Fig. 14).

Estrarre i chiodi tenendo aperto lo sportello scorrevole.

Rimuovendo il fermo superiore è possibile estrarre facilmente i chiodi. Quando si reinstalla il fermo superiore, inserire la relativa sporgenza nella tacca del braccio di contatto (Fig. 15 & 16).

Chiodi

Maneggiare con cura le bobine chiodi e la relativa scatola. Se i chiodi sono stati maneggiati in modo errato, potrebbero essere deformati o staccati, causando una scarsa alimentazione dei chiodi. (Fig. 17).

Non conservare i chiodi in un luogo molto umido o caldo. Non esporli alla luce diretta del sole. (Fig. 18).

MANUTENZIONE

ATTENZIONE:

- Staccare sempre il tubo prima di eseguire l'ispezione o la manutenzione.

Manutenzione della chiodatrice

Prima dell'uso, controllare sempre le condizioni generali dell'utensile e l'eventuale presenza di viti allentate.

Serrarle, se necessario (**Fig. 19**).

Con l'utensile staccato, controllare quotidianamente che l'elemento di contatto e il grilletto si muovano liberamente. Non usare l'utensile se l'elemento di contatto o il grilletto rimangono incollati o bloccati (**Fig. 20**).

Se non si intende usare l'utensile per un lungo periodo di tempo, lubrificarlo usando l'olio pneumatico e conservarlo in un posto sicuro. Evitare l'esposizione alla luce diretta del sole e/o di conservare l'utensile in un posto umido o caldo (**Fig. 21 e 22**).

Manutenzione del compressore, gruppo e tubo aria

Dopo il lavoro, scaricare sempre il serbatoio del compressore e il filtro dell'aria. Se nell'utensile entra umidità, si potrebbe verificare uno scadimento delle prestazioni ed anche un guasto dell'utensile (**Fig. 23 e 24**).

Controllare regolarmente che nell'oliatore del gruppo aria sia presente olio pneumatico a sufficienza. Una lubrificazione insufficiente causa la rapida usura degli anelli di tenuta (**Fig. 25**).

Tenere il tubo dell'aria lontano dal calore (oltre 60°C) e dalle sostanze chimiche (solventi, acidi o alcali forti). Inoltre, disporre il tubo dove non sono presenti ostacoli sui quali potrebbe pericolosamente impigliarsi durante il lavoro. I tubi devono anche essere tenuti lontano dai bordi taglienti e dai punti che potrebbero danneggiarli o causarne l'abrasione (**Fig. 26**).

Per mantenere la SICUREZZA e l'AFFIDABILITÀ del prodotto, qualsiasi altra manutenzione o regolazione deve essere fatta da un centro di assistenza Makita autorizzato usando sempre ricambi Makita.

ACCESSORI

ATTENZIONE:

- L'utensile Makita descritto in questo manuale può essere utilizzato con questi accessori. L'uso di qualsiasi altro accessorio potrebbe provocare lesioni personali. Utilizzare gli accessori esclusivamente per l'uso dichiarato.

Per l'assistenza e ulteriori informazioni su tali accessori, rivolgersi al centro di assistenza Makita locale.

- Chiodi
- Tubi dell'aria
- Occhiali di sicurezza

NEDERLANDS

Verklaring van het onderdelenoverzicht

- | | | |
|--------------------------------------|--------------------------|---------------------------------------|
| 1. Veiligheidsbril | 7. Neusadapter | 14. Contactarm |
| 2. Gezichtsbeschermer | 8. Bewaarplek | 15. Aftapkraantje |
| 3. Olie voor pneumatisch gereedschap | 9. Persluchtaansluiting | 16. Luchtfilter |
| 4. Stelring | 10. Persluchtaansluiting | 17. Smeerinrichting |
| 5. Haak | 11. Uitlaatdeksel | 18. Olie voor pneumatisch gereedschap |
| 6. Uitsteeksel | 12. Vergrendeling | |
| | 13. Contactpunt | |

TECHNISCHE GEGEVENS

Model	AF505
Luchtdruk	0,39 t/m 0,78 MPa (3,9 t/m 7,8 bar)
Nagellengte	15 mm t/m 50 mm
Nagelcapaciteit	100 stuks
Afmetingen (L x H x B)	260 mm x 64 mm x 237 mm
Min. slangdiameter	6,5 mm
Netto gewicht	1,4 kg

Symbolen

END106-1

Hieronder staan de symbolen die voor dit gereedschap worden gebruikt. Zorg ervoor dat u weet wat ze betekenen alvorens het gereedschap te gebruiken.



..... Lees de gebruiksaanwijzing.



..... Draag een veiligheidsbril.



..... Gebruik het gereedschap niet op een steiger of ladder.

BELANGRIJKE VEILIGHEIDSINSTRUCTIES ENB100-2

WAARSCHUWING: TIJDENS HET GEBRUIK VAN DIT GEREEDSCHAP DIENEN ALTIJD DE BASISVEILIGHEIDSVOORZORGEN TE WORDEN GETROFFEN OM DE RISICO'S VAN PERSOONLIJK LETSEL, WAARONDER DE VOLGENDE, TE VERKLEINEN:

LEES ALLE INSTRUCTIES.

- Omwille van uw persoonlijke veiligheid en de juiste werking en onderhoud van het gereedschap, lees u deze gebruiksaanwijzing alvorens het gereedschap te gebruiken.
- Draag altijd een veiligheidsbril om uw ogen te beschermen tegen letsel door stof of nagels.

WAARSCHUWING:

- Het is de verantwoordelijkheid van de werkgever om ervoor te zorgen dat veiligheidsmiddelen voor oogbescherming gebruikt worden door de gebruikers van het gereedschap en anderen in de onmiddellijke omgeving van de werkplek.

Alleen voor Australië en Nieuw-Zeeland

Draag altijd een veiligheidsbril en gezichtsbeschermer om uw ogen te beschermen tegen letsel door stof of nagels. De veiligheidsbril en gezichtsbeschermer dienen te voldoen aan de vereisten van AS/NZS 1336.

WAARSCHUWING:

Het is de verantwoordelijkheid van de werkgever om ervoor te zorgen dat veiligheidsmiddelen voor oogbescherming gebruikt worden door de gebruikers van het gereedschap en anderen in de onmiddellijke omgeving van de werkplek. **(Zie afb. 1)**

- Draag gehoorbescherming om uw oren te beschermen tegen het uitlaatgeluid en als hoofdbescherming. Draag tevens lichte maar geen losse kleding.

- Manchetten moeten dichtgeknoopt zijn of de mouwen moeten worden opgerold. Draag geen stropdas.
- Haast tijdens de werkzaamheden of het gereedschap dwingen is gevaarlijk. Wees voorzichtig wanneer u het gereedschap hanteert. Bedien het gereedschap niet onder invloed van alcohol, drugs en dergelijke.
 - Algemene richtlijnen voor het hanteren van het gereedschap
 - (1) Ga er altijd vanuit dat in het gereedschap nagels zitten.
 - (2) Richt het gereedschap niet op uzelf of anderen, ongeacht of er nagels in zitten of niet.
 - (3) Schakel het gereedschap niet in als dit niet stevig tegen het werkstuk wordt gedrukt.
 - (4) Respecteer het gereedschap als werkinstrument.
 - (5) Speel er niet mee.
 - (6) Draag het gereedschap niet met een vinger om de trekker.
 - (7) Laad geen nagels in het gereedschap wanneer een van de bedieningsschakelaars is ingeschakeld.
 - (8) Bedien het gereedschap niet met een andere voedingsbron dan die is aangegeven in de bedienings- en veiligheidsinstructies van dit gereedschap.
 - Als het gereedschap niet juist werkt, mag het niet worden gebruikt.
 - Tijdens het gebruik van het gereedschap kunnen soms vonken wegspringen. Gebruik het gereedschap niet in de buurt van vluchtige, brandbare materialen, zoals benzine, thinner, verf, gas, lijm, enz., omdat deze kunnen ontsteken en exploderen, waarbij ernstig letsel kan worden veroorzaakt.
 - De werkplek moet voldoende worden verlicht om een veilige bediening te garanderen. De werkplek moet schoon en vrij van afval zijn. Zorg ervoor dat u stevig staat en uw evenwicht goed bewaart.
 - Alleen personen die betrokken zijn bij de werkzaamheden mogen in de buurt van de werkplek komen. Met name kinderen moeten altijd uit de buurt worden gehouden.
 - Er kunnen plaatselijk regels gelden met betrekking tot geluid, waaraan u zich dient te houden door de geluidsproductie onder het voorgeschreven niveau te houden. In bepaalde gevallen moeten geluidsschermen worden gebruikt om het geluidsniveau te beperken.
 - Speel niet met de contactschoen: het voorkomt per ongeluk nagelen, dus moet het blijven zitten en mag niet worden verwijderd. De trekker in ingeschakelde stand vergrendelen is ook erg gevaarlijk. Probeer nooit de trekker vast te zetten. Bedien het gereedschap niet als enig bedieningselement van het gereedschap niet kan worden bediend, is losgekoppeld, is gewijzigd of niet goed werkt.
 - Gebruik het gereedschap binnen het opgegeven luchtdrukgebied van 0,39 t/m 0,78 MPa (3,9 t/m 7,8 bar) vanwege de veiligheid en een langere levensduur van het gereedschap. Overschrijdt de aanbevolen maximumwerkdruk van 0,78 MPa (7,8 bar) niet. Het gereedschap mag niet worden aangesloten op een bron waarvan de druk 1,37 MPa (13,7 bar) kan overschrijden.
 - Zorg ervoor dat de druk die door het persluchtstelsel wordt geleverd, niet de maximaal toelaatbare druk van het elektrisch bevestigingsgereedschap overschrijdt. Stel de luchtdruk in eerste instantie in op de laagste waarde van de aanbevolen toelaatbare luchtdruk (zie "TECHNISCHE GEGEVENS").
 - Gebruik het gereedschap nooit met iets anders dan perslucht. Als flessengas (kooldioxide, zuurstof, stikstof, waterstof, lucht, enz.) of brandbaar gas (waterstof, propaan, acetyleen, enz.) als voeding van dit gereedschap wordt gebruikt, zal het gereedschap exploderen en ernstig letsel veroorzaken.
 - Controleer voor gebruik het gereedschap altijd eerst op algehele conditie en loszittende schroeven. Draai deze zonnodig vast.
 - Controleer voor gebruik dat alle beveiligingssystemen goed werken. Het gereedschap mag niet werken als alleen de trekker wordt ingeknepen of als alleen de contactschoen op het hout wordt gedrukt. Het gereedschap mag alleen werken als beide handelingen tegelijkertijd worden uitgevoerd. Test op mogelijke verkeerde werking zonder dat nagels geplaatst zijn.
 - Controleer muren, plafonds, vloeren en dergelijke grondig om te voorkomen dat door het nagelen in elektrische draden, pijpen of gasleidingen een elektrische schok, gaslek, explosie, enz. kan ontstaan.
 - Gebruik uitsluitend nagels die in deze gebruiksaanwijzing worden aangegeven. Door een ander soort nagels te gebruiken, kan een storing in het gereedschap worden veroorzaakt.
 - Gebruik nooit elektrisch bevestigingsgereedschap met daarop het symbool "Niet gebruiken op steigers en ladders" bij bepaalde toepassingen, bijvoorbeeld:
 - als bij het veranderen van een werkplek naar de volgende, gebruik gemaakt wordt van een steiger, trap, ladder of soortgelijke constructies, bijv. daklatten;
 - bij het sluiten van dozen of kratten, en
 - bij het monteren van transportbeveiligingssysteem, bijv. op voertuigen en aanhangers.
 - Laat personen zonder onderricht het gereedschap niet gebruiken.
 - Controleer voor het nagelen dat niemand dichtbij staat. Probeer nooit tegelijkertijd van binnenuit en van buitenaf te nagelen. De nagels kunnen er dwars doorheen schieten of afketsen en een groot gevaar opleveren.
 - Zorg ervoor dat u tijdens het gebruik van het gereedschap stevig staat en uw evenwicht goed bewaart. Controleer dat er niemand onder u staat wanneer u op een hoge plaats werkt, en maak de perslucht slang vast om gevaarlijke situaties te voorkomen als er plotseling aan wordt getrokken of deze bekneld raakt.
 - Op daken en andere hoge plaatsen nagelt u terwijl u voorwaarts beweegt. U glijdt gemakkelijk weg als u nageklit terwijl u achterwaarts kruipt. Als u in een rechtopstaande ondergrond nagelt, nagelt u van boven naar beneden. U kunt op deze manier nagelen zonder snel vermoeid te raken.

- Een nagel zal krom gaan of het gereedschap kan vastlopen als u per ongeluk bovenop een andere nagel of in een knoest in het hout nagelt. De nagel kan wegschieten en iemand raken, of het gereedschap zelf kan gevaarlijk terugstaan. Kies de plaats voor de nagel met zorg.
- Laat het geladen gereedschap of de luchtcompressor niet onder druk gedurende een lange tijd in de zon liggen. Zorg ervoor dat stof, zand, houtsnippers en vreemde stoffen niet kunnen binnendringen in het gereedschap op de plaats waar u het laat liggen.
- Richt de schietmond nooit op iemand in de buurt. Houd handen en voeten uit de buurt van de schietmond.
- Als de perslucht slang is aangesloten, draagt u het gereedschap niet met uw vinger om de trekker en geeft u het gereedschap niet op deze manier aan iemand anders. Als de trekker per ongeluk wordt ingeknepen, ontstaat een uiterst gevaarlijke situatie.
- Hanteer het gereedschap voorzichtig, aangezien er binnenin het gereedschap een hoge druk is die gevaar oplevert als een barst ontstaat door brove behandeling (laten vallen of stoten).

Probeer niet in het gereedschap te snijden of graveren.

- Stop onmiddellijk met nagelen als u een probleem of iets vreemds opmerkt aan het gereedschap.
- Koppel altijd de perslucht slang los en verwijder alle nagels:

- (1) Als u het gereedschap alleen achterlaat;
- (2) Alvorens enige onderhoudswerkzaamheden uit te voeren; Nagelsnelheid (nagels/min.)
- (3) Alvorens een verstopping op te lossen, en
- (4) Alvorens het gereedschap naar een andere plaats over te brengen.

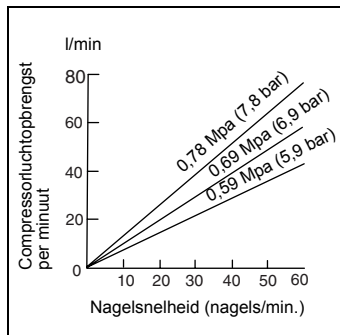
- Voer de reinigings- en onderhoudswerkzaamheden uit onmiddellijk nadat het werk is voltooid. Houd het gereedschap in opperbeste conditie. Smeer bewegende delen om roesten te voorkomen en slijtage door wrijving te minimaliseren. Veeg alle stof van de onderdelen af.
- Bedien het gereedschap niet als het WAARSCHUWINGSETIKET niet leesbaar is.
- Wijzig het gereedschap niet zonder toestemming van Makita.
- Vraag een erkend Makita-servicecentrum regelmatig het gereedschap te inspecteren.
- Om de VEILIGHEID en BETROUWBAARHEID van het gereedschap te handhaven, dienen alle reparaties en onderhoud te worden uitgevoerd door een erkend Makita-servicecentrum, en altijd met gebruikmaking van originele Makita-ervangingsonderdelen.
- Gebruik uitsluitend olie voor pneumatisch gereedschap die in deze gebruiksaanwijzing wordt aangegeven.
- Sluit het gereedschap nooit aan op een persluchtleiding die de maximaal toegelaten druk van het gereedschap niet met 10% kan overschrijden. Zorg ervoor dat de druk die door het persluchtsysteem wordt geleverd, niet de maximaal toelaatbare druk van het bevestigingsaandrijfgereedschap overschrijdt. Stel de luchtdruk in eerste instantie in op de laagste waarde van de aanbevolen toelaatbare luchtdruk.

- Probeer niet de contact schoen voortdurend ingedrukt te houden met tape if draad. Dit kan leiden tot de dood of ernstig letsel.
- Controleer altijd de contact schoen volgens de instructies in deze gebruiksaanwijzing. Als het veiligheidsmechanisme niet goed werkt, kunnen nagels per ongeluk worden geschoten.

BEWAAR DEZE INSTRUCTIES.

OPSTELLEN

Een compressor kiezen



- Kies een compressor die ruim voldoende luchtdruk en luchttopbrengst levert om verzekerd te zijn van een kostenefficiënte werking. De grafiek geeft de relatie aan tussen de nagelsnelheid, toepasselijke luchtdruk en compressorluchttopbrengst. Als bijvoorbeeld het nagelen ongeveer 60 keer per minuut wordt uitgevoerd met een luchtdruk van 0,69 MPa (6,9 bar), is een compressor met een luchttopbrengst van meer dan 60 l/min vereist.

Als de toegevoerde luchtdruk hoger is dan de nominale luchtdruk van het gereedschap, moeten drukregulators worden gebruikt om de luchtdruk te beperken tot de nominale luchtdruk van het gereedschap. Als u dit niet doet kunnen de gebruiker van het gereedschap en personen in de buurt ernstig letsel oplopen.

De perslucht slang kiezen (zie afb. 2)

- Gebruik een zo groot en kort mogelijke perslucht slang om verzekerd te zijn van ononderbroken en efficiënt nagelen. Als het interval tussen twee nagels 0,5 seconden is, wordt bij een luchtdruk van 0,49 MPa (4,9 bar), een perslucht slang met een inwendige diameter van 6,5 mm en een lengte van minder dan 20 m aanbevolen. Persluchtslangen moeten een nominale minimumwerkdruk hebben van 1,03 MPa (10,3 bar) of 150 procent van de maximumdruk die door het systeem wordt geleverd, al naar gelang welke hoger is.

LET OP:

- Als de compressorluchttopbrengst lager is, of de perslucht slang een kleinere inwendige diameter heeft of langer is in verhouding tot de nagelsnelheid, kan het nagelvermogen van het gereedschap teruglopen.

Smieren (zie afb. 3 en 4)

Om van maximale prestaties verzekerd te zijn, monteert u een luchtset (smeerinrichting, drukregulator, luchtfilter) zo dicht mogelijk bij het gereedschap. Stel de smeerinrichting zodanig in dat voor iedere 50 nagels een druppel smeerolie wordt geleverd. Als geen luchtset wordt gebruikt, smeert u het gereedschap met olie voor pneumatisch gereedschap door twee (2) of drie (3) druppels in het lucht aansluiting aan te brengen. U dient dit voor en na ieder gebruik te doen. Voor een goede smering moethet gereedschap enkele keren worden bediend nadat de olie voor pneumatisch gereedschap is aangebracht.

BESCHRIJVING VAN DE FUNCTIES

LET OP:

- Koppel altijd de perslucht slang los voordat u de werking van het gereedschap controleert of afstelt.

Nageldiepte instellen (zie afb. 5)

Draai de stelling om de nageldiepte in te stellen. De nageldiepte is het grootst wanneer de stelling zo ver mogelijk in richting A, aangegeven in de afbeelding, is gedraaid. De diepte wordt geringer naarmate de stelling in richting B wordt gedraaid. Als de nagels niet diep genoeg worden geschoten, zelfs niet terwijl de stelling zo ver mogelijk in richting A is gedraaid, verhoogt u de luchtdruk. Als de nagels te diep worden geschoten, zelfs niet terwijl de stelling zo ver mogelijk in richting B is gedraaid, verlaagt u de luchtdruk. Algemeen gesproken, gaat het gereedschap langer mee als het wordt gebruikt met een lagere luchtdruk en de stelling is ingesteld op een geringere nageldiepte.

LET OP:

- Koppel altijd de perslucht slang los voordat u de nageldiepte controleert.

Haak (zie afb. 6)

LET OP:

- Koppel altijd de perslucht slang los van het gereedschap.
- Hang het gereedschap niet op aan de haak op een hoge plaats of op een mogelijk instabiele ondergrond.

De haak is handig om het gereedschap tijdelijk aan op te hangen.

ONDERDELEN AANBRENGEN/ VERWIJDEREN

LET OP:

- Koppel altijd de perslucht slang los voordat u enige werkzaamheden aan het gereedschap verricht.
- Gebruik nagels van dezelfde soort, grootte en uniforme lengte wanneer u nagels laadt in het magazijn.

Nagels laden

Druk de vergrendeling in en open de schuif van het magazijn door dit naar uzelf toe te trekken met ingedrukte vergrendeling (zie afb. 7).

Lijn de punt van de nagels uit met de groeven op de onderkant van het magazijn en duw de hele strip nagels in de richting van de schietopening (zie afb. 8).

Sluit de schuif van het magazijn.

Neusadapter (zie afb. 9 en 10)

LET OP:

- Koppel altijd de perslucht slang los voordat u de neusadapter aanbrengt.

Om te voorkomen dat het oppervlak van het werkstuk wordt bekrast of beschadigd, brengt u de neusadapter aan door het uitsteeksel aan de binnenkant van de neusadapter te steken in de inkeping in de contactarm.

Bewaar de neusadapter op zijn plaats wanneer deze niet in gebruik is. De plaats voor het bewaren is aan beide zijanten van het gereedschap en in de draagkoffer.

De perslucht slang aansluiten (zie afb. 11)

Schuif de aansluiting van de perslucht slang op de aansluiting van de nagelaandrijver. Zorg ervoor dat beide aansluitingen stevig op elkaar worden vergrendeld. De slangkoppeling moet op of vlakbij het gereedschap worden gemonteerd op een zodanige manier dat op het moment dat de persluchtkoppeling wordt losgekoppeld, de luchtdruktank leeg loopt.

BEDIENING

Om te nagelen drukt u eerst de contactschoen tegen het werkstuk en knijpt u daarna de trekker in (zie afb. 12).

LET OP:

- MET DE TREKKER IN DE HALF-INGEKNEPEN STAND kan de nagelaandrijver onverwachts een nagel schieten als de contactschoen door de terugslag nogmaals in aanraking komt met het werkstuk of een ander oppervlak.
- Om dergelijk per ongeluk nagelen te voorkomen, gaat u als volgt te werk:
 - A. Duw de contactschoen niet met grote kracht tegen het werkstuk.
 - B. Knijp de trekker volledig in en houd deze na het nagelen gedurende een tot twee seconden ingeknepen.

Richting van uitlaatlucht (zie afb. 13)

De richting van de uitlaatlucht kan 360 graden worden veranderd door het uitlaatdeksel met de hand te draaien.

Nagels eruithalen

LET OP:

- Gebruik geen vervormde nagels of nagelstrippen. Als u dit toch doet, worden de nagels niet goed aangevoerd.

WAARSCHUWING:

- Koppel altijd de perslucht slang los voordat u de nagels eruit haalt.

Open de schuif en haal de nagels uit het magazijn (zie afb. 14).

Open de schuif en haal de nagels eruit.

Als u de contactpunt verwijderd, kunnen de nagels er gemakkelijk uit worden gehaald. Als u de contactpunt weer aanbrengt, steekt u het uitsteeksel van de

contactpunt in de inkeping van de contactarm (zie afb. 15 en 16).

Nagels

Weer voorzichtig bij het hanteren van de nagelstrips en de doos ervan. Als de nagelstrips grof behandeld worden, kunnen ze vervormd worden of breken waardoor een slechte nageltoevoer ontstaat (zie afb. 17).

Voorkom dat nagels worden opgeslagen in een zeer vochtige of warme ruimte of op een plek die is blootgesteld aan direct zonlicht (zie afb. 18).

ONDERHOUD

LET OP:

- Koppel de perslucht slang altijd los alvorens inspectie- of onderhoudswerkzaamheden uit te voeren.

Onderhoud van nagelpistool

Controleer voor gebruik het gereedschap altijd eerst op algehele conditie en loszittende schroeven. Draai deze zonodig vast (zie afb. 19).

Inspecteer het gereedschap dagelijks met losgekoppelde perslucht slang op vrije beweging van de contactmond en trekker. Gebruik het gereedschap niet als de contactmond of trekker vastlopen of klemmen (zie afb. 20).

Wanneer het gereedschap gedurende een lange tijd niet gebruikt gaat worden, smeert u het gereedschap met olie voor pneumatisch gereedschap en bewaart u het gereedschap op een veilige plaats. Voorkom blootstelling aan direct zonlicht en/of een vochtige of warme omgeving (zie afb. 21 en 22).

Onderhoud aan de compressor, luchtset en perslucht slang

Na gebruik moet altijd de luchtdruktank en het luchtfilter van de compressor worden afgetapt. Als vocht in het gereedschap kan binnendringen, kan dit leiden tot slechte prestaties en mogelijk defect van het gereedschap (zie afb. 23 en 24).

Controleer regelmatig om te zien of er voldoende pneumatische olie in de smerinrichting van de luchtset zit. Als u niet voor voldoende smering zorgt, zullen de O-ringen snel slijten (zie afb. 25).

Houd de perslucht slang uit de buurt van warmte (meer dan 60 °C) en uit de buurt van chemicaliën (verdunder, sterke zuren of basen). Houd de perslucht slang ook uit de buurt van obstakels waarachter deze kan haken tijdens gebruik om gevaarlijke situaties te voorkomen. De perslucht slang moet tevens uit de buurt worden gehouden van scherpe randen en plaatsen die aanleiding kunnen geven tot besachadiging of schuren van de perslucht slang (zie afb. 26).

Om de VEILIGHEID en BETROUWBAARHEID van het gereedschap te handhaven, dienen alle reparaties, onderhoud en afstellingen te worden uitgevoerd door een erkend Makita-servicecentrum, en altijd met gebruikmaking van originele Makita-ervangingsonderdelen.

ACCESSOIRES

LET OP:

- Deze accessoires of hulpstukken worden aanbevolen voor gebruik met het Makita-gereedschap dat in deze gebruiksaanwijzing wordt beschreven. Het gebruik van andere accessoires of hulpstukken kan gevaar voor persoonlijk letsel opleveren. Gebruik de accessoires of hulpstukken uitsluitend voor de aangegeven gebruiksdoeleinden.

Mocht u meer informatie willen hebben over deze accessoires, dan kunt u contact opnemen met uw plaatselijke Makita-servicecentrum.

- Nagels
- Perslucht slangen
- Veiligheidsbril

Explicación de los dibujos

- | | | |
|---|--------------------------------|---------------------------------------|
| 1. Gafas de seguridad | 7. Adaptador de boquilla | 14. Brazo de contacto |
| 2. Careta protectora | 8. Lugar de almacenamiento | 15. Grifo de drenaje |
| 3. Aceite para la herramienta neumática | 9. Conector de aire | 16. Filtro de aire |
| 4. Regulador | 10. Toma de aire | 17. Aceitero |
| 5. Gancho | 11. Cubierta de escape | 18. Aceite de herramientas neumáticas |
| 6. Saliente | 12. Seguro | |
| | 13. Parte superior de contacto | |

ESPECIFICACIONES

Modelo	AF505
Presión del aire	0,39 - 0,78 Mpa (3,9 - 7,8 bares)
Longitud del clavo	15 mm - 50 mm
Capacidad de clavos	100 piezas
Dimensiones (La X Al X An)	260 mm X 64 mm X 237 mm
Diámetro mínimo de la manguera	6,5 mm
Peso neto	1,4 kg

Símbolos

END106-1

Se utilizan los siguientes símbolos para el equipo. Asegúrese de que comprende su significado antes del uso.



..... Lea el manual de instrucciones.



..... Utilice gafas de seguridad.



..... No utilizar en andamios, escaleras de mano.

INSTRUCCIONES DE SEGURIDAD IMPORTANTES

ENB100-2

ADVERTENCIA: CUANDO SE UTILICE ESTA HERRAMIENTA SIEMPRE DEBEN TOMARSE PRECAUCIONES DE SEGURIDAD PARA REDUCIR EL RIESGO DE LESIONES PERSONALES, INCLUYENDO LAS SIGUIENTES:

LEA TODAS LAS INSTRUCCIONES.

- Por su seguridad personal y para una utilización y un mantenimiento correctos de la herramienta, lea este manual de instrucciones antes de utilizar la herramienta.
- Utilice siempre gafas de seguridad para proteger sus ojos del polvo o de lesiones provocadas por clavos.

ADVERTENCIA:

- Es responsabilidad del empleador garantizar que los operarios de la herramienta y otras personas de la zona de trabajo inmediata utilicen equipo de protección ocular.

Para Australia y Nueva Zelanda solamente

Utilice siempre gafas de seguridad y una careta protectora para proteger sus ojos del polvo o de lesiones provocadas por clavos. Las gafas de seguridad y la careta protectora deben cumplir con los requisitos de AS/NZS 1336.

ADVERTENCIA:

Es responsabilidad del empleador garantizar que los operarios de la herramienta y otras personas de la zona de trabajo inmediata utilicen equipo de protección ocular. (Fig. 1)

- Utilice protección para la cabeza y protección para los oídos para protegerlos de los ruidos de escape. Asimismo, lleve ropa ligera pero no suelta. Las

- mangas deben estar abotonadas o arremangadas. No debe llevarse corbata.
- Es peligroso apresurar el trabajo o forzar la herramienta. Maneje la herramienta con cuidado. No la utilice bajo la influencia del alcohol, drogas o sustancias similares.
 - Pautas generales de manejo de la herramienta:
 - (1) Asuma siempre que la herramienta contiene clavos.
 - (2) No se apunte a usted mismo ni a nadie más con la herramienta, tanto si contiene clavos como si no.
 - (3) No active la herramienta a menos que la tenga puesta firmemente contra la pieza de trabajo.
 - (4) Trate a la herramienta como un útil de trabajo.
 - (5) No juegue con la herramienta.
 - (6) No coja ni transporte la herramienta con el dedo en el disparador.
 - (7) No cargue clavos en la herramienta estando cualquiera de los controles de operación activado.
 - (8) No utilice la herramienta con ninguna otra fuente de alimentación distinta a la especificada en las instrucciones de funcionamiento/seguridad de la herramienta.
 - No se debe utilizar una herramienta que no funcione debidamente.
 - Pueden saltar chispas cuando se utiliza la herramienta. No utilice la herramienta cerca de materiales inflamables o volátiles, como gasolina, disolvente, pintura, gas, adhesivos, etc., ya que pueden encenderse, explotar y causar lesiones graves.
 - El área debe estar suficientemente iluminada para asegurar una utilización segura. El área deberá estar despejada y libre de desechos. Tenga especial cuidado de mantener los pies sobre suelo firme y en equilibrio.
 - En la proximidad solamente deben estar aquellas personas implicadas en el trabajo. Especialmente los niños deben mantenerse alejados en todo momento.
 - Puede haber reglamentos locales concernientes al ruido que habrá que cumplir manteniendo los niveles de ruido dentro de los límites establecidos. En ciertos casos, se deberán utilizar celosías para contener el ruido.
 - No juegue con el elemento de contacto: previene la descarga accidental, por lo que se debe mantener activado y colocado en su sitio. También es muy peligroso fijar el disparador en la posición ON (activado). No intente nunca atar el disparador. No utilice la herramienta si cualquier control de la herramienta está inoperable, desconectado, modificado, o no funciona correctamente.
 - Utilice la herramienta dentro de la presión de aire especificada de 0,39 - 0,78 MPa (3,9 - 7,8 bares) por seguridad y para prolongar la vida de la herramienta. No exceda la presión de funcionamiento máxima recomendada de 0,78 MPa (7,8 bares). La herramienta no debe conectarse a una fuente cuya presión pueda sobrepasar 1,37 MPa (13,7 bares).
 - Asegúrese de que la presión suministrada por el sistema de aire comprimido no exceda la presión máxima permitida del clava puntas. Ajuste la presión de aire inicialmente a un valor inferior a la presión permitida recomendada (consulte las ESPECIFICACIONES).
 - No utilice nunca la herramienta con nada que no sea aire comprimido. Si se utiliza gas (dióxido de carbono, oxígeno, nitrógeno, hidrógeno, aire, etc.) o gas combustible (hidrógeno, propano, acetileno, etc.) embotellado como fuente de alimentación para esta herramienta, la herramienta explotará y ocasionará graves heridas.
 - Compruebe siempre la herramienta antes de su uso para ver su estado general y si hay tornillos sueltos. Apriete según sea necesario.
 - Asegúrese de que todos los sistemas de seguridad están en condiciones de funcionamiento antes de su utilización. La herramienta no debe funcionar si sólo se tira del disparador o si sólo se presiona el brazo de contacto contra la madera. Solamente debe funcionar cuando se realicen ambas acciones. Haga una prueba sin clavos cargados para ver si hay algún posible fallo de funcionamiento.
 - Compruebe las paredes, techos, suelos, techumbres y elementos similares con cuidado para evitar descargas eléctricas, fugas de gas, explosiones, etc., ocasionadas por el contacto con cables con tensión, conductos o tuberías de gas.
 - Utilice solamente los clavos especificados en este manual. La utilización de otros clavos puede ocasionar un mal funcionamiento de la herramienta.
 - No utilice nunca clava puntas marcados con el símbolo de "No utilizar en andamios, escaleras de mano" para aplicaciones específicas, por ejemplo:
 - cuando el cambio de un lugar de clavado a otro implique la utilización de andamios, escaleras, escaleras de mano, o construcciones en forma de escalera, por ejemplo, listones de techumbres;
 - cierre de cajas o cajones;
 - colocación de sistemas de seguridad de transportes, por ejemplo, en vehículos y vagones.
 - No permita que personas no instruidas utilicen la herramienta.
 - Asegúrese de que no haya nadie cerca antes de empezar a clavar. No intente clavar nunca desde el interior y exterior al mismo tiempo. Los clavos podrían atravesar los materiales y/o salir disparados, presentando un grave peligro.
 - Observe el suelo donde pisa y mantenga su equilibrio con la herramienta. Asegúrese de que no haya nadie debajo cuando trabaje en lugares elevados, y sujete la manguera de aire para evitar peligros si se produjera un tirón o enganche repentino.
 - En tejados y otros lugares elevados, clave a medida que avanza. Es fácil perder el equilibrio si clava moviéndose hacia atrás. Cuando clave contra superficies perpendiculares, clave de arriba hacia abajo. Haciéndolo de esta forma podrá realizar la operación de clavado fatigándose menos.
 - Si clava equivocadamente encima de otro clavo o golpea un nudo en la madera, el clavo se torcerá o se atascará la herramienta. El clavo puede salir lanzado y golpear a alguien, o la propia herramienta puede reaccionar peligrosamente. Ponga los clavos con cuidado.
 - No deje la herramienta cargada ni el compresor de aire bajo presión durante largo tiempo al sol. Asegúrese de

que no entre polvo, arena, virutas ni materias extrañas en la herramienta en el lugar donde la deje.

- No apunte con el puerto de expulsión a nadie de su alrededor. Mantenga las manos y pies alejados del área del puerto de expulsión.
- Cuando esté conectada la manguera de aire, no transporte la herramienta con el dedo en el disparador ni se la pase a otra persona en este estado. El disparo accidental puede ser extremadamente peligroso.
- Maneje la herramienta con cuidado, ya que dentro de la herramienta hay una presión muy alta que puede ser peligrosa si se produce una grieta debido a un manejo brusco (dejando caer o golpeando la herramienta). No intente grabar ni esculpir en la herramienta.
- Pare inmediatamente la operación de clavado si nota algo incorrecto o fuera de lo normal en la herramienta.
- Desconecte siempre la manguera de aire y extraiga todos los clavos:

(1) Cuando deje la herramienta sin atender.

(2) Antes de realizar cualquier mantenimiento o reparación. Frecuencia de clavado (veces/min.)

(3) Antes de despejar un atasco.

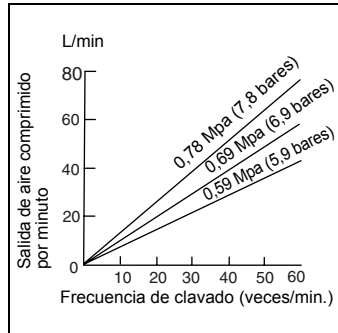
(4) Antes de mover la herramienta a un nuevo lugar.

- Realice la limpieza y el mantenimiento inmediatamente después de terminar el trabajo. Mantenga la herramienta en perfectas condiciones. Lubrique las partes móviles para evitar la oxidación y minimizar el desgaste relacionado con la fricción. Quite todo el polvo de dichas partes.
- No utilice esta herramienta si no contiene una ETIQUETA DE ADVERTENCIA legible.
- No modifique la herramienta sin la autorización de Makita.
- Pregunte en centros de servicio autorizados por Makita sobre la inspección periódica de la herramienta.
- Para conservar la SEGURIDAD y la FIABILIDAD del producto, los trabajos de reparación y otros trabajos de mantenimiento deben ser realizados en centros de servicio autorizados de Makita, utilizando siempre repuestos Makita.
- Utilice solamente el aceite de herramientas neumáticas especificado en este manual.
- Nunca conecte la herramienta a una línea de aire comprimido en la que la presión máxima de la herramienta no se pueda superar en un 10 % Asegúrese de que la presión suministrada por el sistema de aire comprimido no exceda la presión máxima permitida del clava puntas. Ajuste la presión de aire inicialmente a un valor inferior a la presión permitida recomendada.
- No intente mantener el elemento de contacto del disparador presionado con cinta adhesiva o alambre. Puede sufrir lesiones graves o morir.
- Conecte siempre el elemento de contacto como se indica en este manual. Se pueden clavar clavos accidentalmente si el mecanismo de seguridad no funciona correctamente.

GUARDE ESTAS INSTRUCCIONES.

INSTALACIÓN

Selección del compresor



- Seleccione un compresor que tenga una presión y salida de aire amplias para asegurar un funcionamiento eficiente. El gráfico muestra la relación entre la frecuencia de clavado, la presión aplicable y la salida de aire del compresor. Así, por ejemplo, si el clavado se realiza a una frecuencia de aproximadamente 60 veces por minuto a una compresión de 0,69 MPa (6,9 bares), se requerirá un compresor con una salida de aire de más de 60 L/min. Cuando la presión del suministro de aire exceda la presión nominal de la herramienta se deberán utilizar reguladores de presión para limitar la presión de aire nominal de la herramienta. De no hacerlo, el operario de la herramienta o las personas cercanas pueden sufrir graves lesiones.

Selección de la manguera de aire (Fig. 2)

- Utilice una manguera de aire tan grande y corta como sea posible para asegurar una operación de clavado continua y eficiente. Con una presión de aire de 0,49 MPa (4,9 bares), se recomienda una manguera de aire con un diámetro interno superior a 6,5 mm (1/4") y una longitud inferior a 20 m (6,6 pies) cuando el intervalo entre cada clavado sea de 0,5 segundos. Las mangueras de suministro de aire tendrán una presión de trabajo mínima de 1,03 MPa (10,3 bares) o 150 por ciento de la presión máxima producida en el sistema, el valor que sea superior.

PRECAUCIÓN:

- Una salida de aire baja del compresor, o una manguera de aire larga o de diámetro más pequeño en relación con la frecuencia de clavado podrá ocasionar una disminución de la capacidad de clavado de la herramienta.

Lubricación (Fig. 3 y 4)

Para asegurar el máximo rendimiento, instale un conjunto de aire (aceitero, regulador, filtro de aire) lo más cerca posible de la herramienta. Ajuste el aceitero de forma que provea una gota de aceite cada 50 clavos. Cuando no se utilice un conjunto de aire, engrase la herramienta con aceite de herramientas neumáticas poniendo 2 (dos) o 3 (tres) gotas en el conector de aire. Esto deberá hacerse antes y después del uso. Para una lubricación apropiada, la herramienta deberá ser disparada unas cuantas veces

después de haber introducido el aceite de herramientas neumáticas.

DESCRIPCIÓN DEL FUNCIONAMIENTO

PRECAUCIÓN:

- Desconecte siempre la manguera antes de ajustar o comprobar la función de la herramienta.

Ajuste de la profundidad de clavado (Fig. 5)

Para ajustar la profundidad de clavado, gire el regulador. La profundidad de clavado será mayor cuando el regulador se gire completamente en la dirección A, como se muestra en la ilustración. Será menor cuando el regulador se gire en la dirección B. Si los clavos no se pueden clavar suficientemente incluso cuando el regulador se gire totalmente en la dirección A, aumente la presión de aire. Si los clavos se clavan demasiado incluso cuando el regulador se gire completamente en la dirección B, reduzca la presión de aire. En términos generales, la vida de servicio de la herramienta será más larga cuando la herramienta se utilice con una presión de aire más baja y el regulador ajustado a un número más bajo.

PRECAUCIÓN:

- Desconecte siempre la manguera antes de ajustar la profundidad de clavado.

Gancho (Fig. 6)

PRECAUCIÓN:

- Desconecte siempre la manguera de la herramienta.
- No cuelgue nunca la herramienta en un lugar elevado o en una superficie potencialmente inestable.

El gancho es útil para colgar la herramienta.

MONTAJE

PRECAUCIÓN:

- Desconecte siempre la manguera antes de realizar un trabajo en la herramienta.
- Cargue clavos del mismo tipo, tamaño y longitud en el depósito alimentador.

Carga del clava puntas

Presione la palanca y abra la puerta deslizante del depósito alimentador tirando hacia usted mientras ejerce presión sobre la palanca. (Fig. 7)

Alinee las puntas de los clavos con las ranuras de la parte inferior del depósito alimentador y empuje todo el conjunto de clavos hacia la apertura de disparo. (Fig. 8)

Cierre la puerta deslizante.

Adaptador de la boquilla (Fig. 9 y 10)

PRECAUCIÓN:

- Desconecte siempre la manguera antes de instalar el adaptador de boquilla.

Para evitar que la superficie de la pieza de trabajo sufra arañazos o desperfectos, utilice el adaptador de boquilla encajando el saliente del interior del adaptador de la boquilla en la ranura del brazo de contacto.

Guarde el adaptador de la boquilla cuando no lo utilice. Su lugar de almacenamiento se encuentra a ambos lados de la herramienta y dentro de la caja de transporte.

Conexión de la manguera de aire (Fig. 11)

Encaje el acoplador de aire de la manguera de aire en el conector de aire de la clavadora de clavos. Asegúrese de que el acoplador de aire quede bloqueado firmemente en posición cuando lo instale en el conector de aire. Se deberá instalar un acoplamiento de manguera en o cerca de la herramienta de tal forma que el depósito de presión se descargue al desconectar el acoplamiento de suministro de aire.

MANEJO

Para clavar un clavo, puede poner el elemento de contacto contra la pieza de trabajo y apretar el disparador. (Fig. 12)

PRECAUCIÓN:

- CON EL DISPARADOR APRETADO HASTA LA MITAD, puede producirse un clavado inesperado si se permite que el elemento de contacto vuelva a hacer contacto con la pieza de trabajo o con otra superficie bajo la influencia del retroceso.
- Para evitar este clavado inesperado, siga los siguientes pasos;
 - A. No coloque el elemento de contacto contra la pieza de trabajo con excesiva fuerza.
 - B. Tire del disparador completamente y manténgalo así durante 1 ó 2 segundos después del clavado.

Dirección del aire de escape (Fig. 13)

La dirección del aire de escape se puede cambiar 360 grados de ángulo girando la cubierta de escape a mano.

Extracción de clavos

PRECAUCIÓN:

- No utilice clavos deformados o tiras de clavos. De lo contrario, la alimentación de clavos no será la idónea.

ADVERTENCIA:

- Desconecte siempre la manguera antes de extraer clavos.

Abra la puerta deslizante y extraiga clavos del depósito alimentador. (Fig. 14)

Con la puerta deslizante abierta, abra la puerta y retire los clavos.

Si retira la parte superior del contacto podrá extraer los clavos fácilmente. Cuando vuelva a montar la parte superior del contacto, inserte el saliente de la parte superior del contacto con la ranura del brazo de contacto. (Fig. 15 y 16)

Clavos

Maneje las bobinas de clavos y sus cajas con cuidado. Si la bobina de clavos ha sido manejada bruscamente, los clavos podrán estar deformados o sus conectores rotos y ocasionar una deficiente alimentación de clavos. (Fig. 17)

Evite almacenar clavos en un lugar muy húmedo o caluroso o en un lugar expuesto a la luz solar directa. (Fig. 18)

MANTENIMIENTO

PRECAUCIÓN:

- Desconecte siempre la manguera antes de intentar realizar la inspección o el mantenimiento.

Mantenimiento del clava puntas

Compruebe siempre la herramienta antes de su uso para ver su estado general y si hay tornillos sueltos. Apriete según sea necesario. (Fig. 19)

Con la herramienta desconectada, haga una inspección diaria para asegurarse del libre movimiento del elemento de contacto y el disparador. No utilice la herramienta si el elemento de contacto o el disparador se bloquea o se adhiere. (Fig. 20)

Cuando no vaya a utilizar la herramienta durante un período de tiempo prolongado, lubríquela utilizando aceite de herramientas neumáticas y almacénela en un lugar seguro. Evite la exposición a la luz solar directa y/o los ambientes húmedos o calurosos. (Fig. 21 y 22)

Mantenimiento del compresor, conjunto de aire y manguera de aire

Después de una operación, drene siempre el tanque compresor y el filtro de aire. Si permite que entre humedad en la herramienta, podrá provocar un rendimiento deficiente y un posible fallo de la herramienta. (Fig. 23 y 24)

Compruebe regularmente si hay suficiente aceite de herramientas neumáticas en el aceitero del conjunto de aire. Si no se mantiene una suficiente lubricación las juntas tóricas se desgastarán rápidamente. (Fig. 25)

Mantenga la manguera de aire alejada del calor (más de 60 °C, más de 140 °F) y de sustancias químicas (disolvente, ácidos fuertes o alcalinos). Además, tienda la manguera alejada de obstáculos en los que pueda engancharse peligrosamente durante la operación. Las mangueras también deberán tenderse alejadas de cantos cortantes y áreas que puedan ocasionar daños o abrasión a la manguera. (Fig. 26)

Para conservar la SEGURIDAD y la FIABILIDAD del producto, los trabajos de reparación y otros trabajos de mantenimiento y ajuste deberán ser realizados en centros de servicio autorizados de Makita, utilizando siempre repuestos Makita.

ACCESORIOS

PRECAUCIÓN:

- Se recomienda el uso de estos accesorios o complementos con la herramienta Makita especificada en este manual. El uso de otros accesorios o complementos puede conllevar el riesgo de ocasionar daños corporales. Utilice los accesorios o complementos solamente para su fin establecido.

Si necesita cualquier ayuda para obtener más información relativa a estos accesorios, pregunte al centro de servicio Makita local.

- Clavos
- Mangueras de aire
- Gafas de seguridad

PORTUGUÊS

Descrição geral

- | | | |
|--|-----------------------------------|-----------------------|
| 1. Óculos de protecção | 7. Adaptador de ponta | 13. Tampa de contacto |
| 2. Visor de protecção | 8. Compartimento de armazenamento | 14. Braço de contacto |
| 3. Lubrificante para ferramentas pneumáticas | 9. Conector de ar | 15. Bujão |
| 4. Regulador | 10. Entrada de ar | 16. Filtro de ar |
| 5. Gancho | 11. Regulador da saída de ar | 17. Lubrificador |
| 6. Saliência | 12. Patilha | 18. Óleo pneumático |

ESPECIFICAÇÕES

Modelo	AF505
Pressão de ar	0,39 - 0,78 Mpa (3,9 - 7,8 bar)
Comprimento dos pregos	15 mm - 50 mm
Capacidade de pregos	100 unidades
Dimensões (C X A X L)	260 mm X 64 mm X 237 mm
Diâmetro mínimo do tubo flexível	6,5 mm
Peso líquido	1,4 kg

Símbolos

END106-1

Descrição dos símbolos utilizados no equipamento.

Certifique-se de que compreende o seu significado, antes da utilização.



..... Leia o manual de instruções.



..... Use óculos de segurança.



..... Não utilizar em andaimes ou escadas.

INSTRUÇÕES DE SEGURANÇA IMPORTANTES

ENB100-2

AVISO: QUANDO UTILIZAR ESTA FERRAMENTA, DEVEM SER CUMPRIDAS AS PRECAUÇÕES DE SEGURANÇA BÁSICAS, PARA REDUZIR O RISCO DE FERIMENTOS, INCLUINDO AS SEGUINTE:

LEIA TODAS AS INSTRUÇÕES.

- Para garantir a segurança pessoal e um funcionamento e manutenção correctos da ferramenta, leia este manual de instruções antes de utilizar a ferramenta.
- Use sempre óculos de segurança para proteger os seus olhos contra pó ou ferimentos devido aos pregos.

AVISO:

- É da responsabilidade da entidade empregadora garantir o uso do equipamento de protecção para os olhos por parte dos operadores e outras pessoas perto da área de trabalho.

Apenas para a Austrália e Nova Zelândia

Use sempre óculos de segurança e o visor de protecção para proteger os seus olhos contra pó ou ferimentos devido aos pregos. Os óculos de segurança e o visor de protecção devem respeitar os requerimentos de AS/NZS 1336.

AVISO:

É da responsabilidade da entidade empregadora garantir o uso do equipamento de protecção para os olhos por parte dos operadores e outras pessoas perto da área de trabalho. (Fig. 1)

- Use protecção para os ouvidos para os proteger contra os ruídos de trabalho e protecção para a cabeça. Use roupa leve mas não folgada. As mangas devem estar apertadas ou enroladas. Não devem ser usadas gravatas.

- Fazer o trabalho à pressa ou forçar a ferramenta é perigoso. Segure com cuidado na ferramenta. Não utilize quando estiver sob a influência de álcool, medicamentos ou substâncias semelhantes.
- Linhas orientadores para a utilização da ferramenta:
 - (1) Certifique-se sempre de que a ferramenta contém pregos.
 - (2) Não aponte a ferramenta na sua direcção ou de alguém, independentemente de conter pregos ou não.
 - (3) Não active a ferramenta a não ser que a ferramenta seja colocada firmemente contra a peça de trabalho.
 - (4) Respeite a ferramenta como uma ferramenta de trabalho.
 - (5) Não é um brinquedo.
 - (6) Não segure ou transporte a ferramenta com um dedo no gatilho.
 - (7) Não carregue a ferramenta com pregos quando qualquer um dos comandos de funcionamento estiver activado.
 - (8) Não utilize a ferramenta com qualquer outra fonte de alimentação além da especificada nas instruções de funcionamento/segurança da ferramenta.
- Não deve ser utilizada uma ferramenta que não funcione correctamente.
- Por vezes saltam faíscas quando a ferramenta é utilizada. Não utilize a ferramenta perto de materiais voláteis e inflamáveis, tais como gasolina, diluente, tinta, gás, adesivos, etc., uma vez que pegarão fogo e explodirão, provocando ferimentos graves.
- A área deve estar suficientemente iluminada para garantir um funcionamento seguro. A área deve estar desimpedida e limpa. Tenha especial atenção em manter um bom apoio e equilíbrio.
- Apenas aqueles envolvidos no trabalho devem estar por perto. As crianças devem estar sempre afastadas.
- Poderão existir normas locais relativamente ao ruído, que devem ser cumpridas mantendo os níveis de ruído dentro dos limites indicados. Em determinados casos, devem ser utilizados elementos de isolamento acústico.
- Não brinque com o elemento de contacto: evita o accionamento accidental, não devendo ser removido. Fixar o gatilho na posição ON (ligado) é igualmente muito perigoso. Nunca tente apertar o gatilho. Não utilize a ferramenta se qualquer um dos comandos estiver inoperável, desligado, alterado ou a funcionar incorrectamente.
- Utilize a ferramenta dentro da pressão de ar especificada de 0,39 - 0,78 MPa (3,9 - 7,8 bar) para garantir a segurança e uma maior longevidade da ferramenta. Não exceda a pressão de funcionamento máxima recomendada de 0,78 MPa (7,8 bar). A ferramenta não deve ser ligada a uma fonte em que a pressão exceda potencialmente 1,37 MPa (13,7 bar).
- Certifique-se de que a pressão fornecida pelo sistema de ar comprimido não excede a pressão máxima permitida da ferramenta de inserção de pregos. Inicialmente ajuste a pressão do ar no valor mínimo recomendado para a pressão permitida (consulte as ESPECIFICAÇÕES).
- Nunca use a ferramenta a não ser com ar comprimido. Se utilizar gás engarrafado (dióxido de carbono, oxigénio, nitrogénio, hidrogénio, ar, etc.) ou gás combustível (hidrogénio, propano, acetileno, etc.) como fonte de alimentação, a ferramenta explodirá causando ferimentos graves.
- Antes de funcionar, verifique sempre a condição geral da ferramenta e inspeccione para ver se há parafusos soltos. Aperte-os como necessário.
- Certifique-se de que todos os sistemas de segurança estão a funcionar adequadamente antes de utilizar. A ferramenta não deve funcionar simplesmente ao apertar o gatilho ou ao pressionar o elemento de contacto contra a madeira. Ela deve funcionar apenas ao executar ambas as acções. Faça um teste sem pregos para verificar se há problemas na operação.
- Inspeccione cuidadosamente as paredes, tecto, pisos e telhados para evitar o risco de choque eléctrico, fuga de gás, explosões, etc. que podem ser causados se encontrar fios ligados, condutas ou canos de gás.
- Utilize apenas pregos especificados neste manual. A utilização de pregos diferentes pode causar o mau funcionamento da ferramenta.
- Nunca utilize ferramentas de inserção de pregos marcadas com a inscrição g81gNão utilizar em andaimes ou escadash8h para aplicações específicas, como por exemplo:
 - quando ao mudar de uma posição de trabalho para outra for preciso utilizar andaimes, degraus, escadas usadas em construção, como ripa de telhado;
 - ao fechar caixas ou grades;
 - ao fixar sistemas de segurança de transporte, como em veículos ou vagões.
- Não permita que pessoas sem a formação adequada utilizem a ferramenta.
- Assegure-se de que não há ninguém nas proximidades antes de pregar. Nunca tente pregar do lado de dentro e do lado de fora ao mesmo tempo. Pregos podem escapar e/ou pular, apresentando um perigo muito grave.
- Tenha cuidado e mantenha-se numa posição firme e equilibrada ao utilizar a ferramenta. Certifique-se de que ninguém está por baixo quando trabalhar em locais altos e fixe a mangueira de ar para prevenir acidentes caso a mesma se enrosque em algo ou haja um movimento brusco e súbito.
- Ao trabalhar em telhados ou outros locais altos, pregue à medida que se move para a frente. É fácil perder o equilíbrio se pregar movendo-se para trás. Quando está a pregar contra superfícies perpendiculares, pregue de cima para baixo. Assim, poderá executar a operação de pregar com menos cansaço.
- O prego poderá entortar-se ou a ferramenta poderá ficar emperrada se pregar sobre outro prego por engano ou se bater num nó da madeira. O prego poderá entortar-se ou a ferramenta poderá ficar emperrada se pregar sobre outro prego por engano ou se bater num nó da madeira. Coloque os pregos com cuidado.
- Não deixe a ferramenta carregada ou o compressor de ar com pressão ao sol por muito tempo. Certifique-se

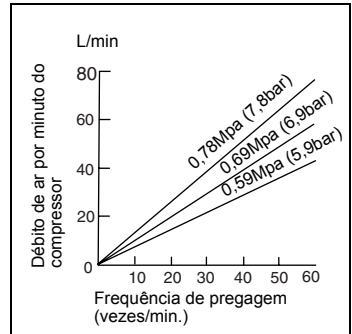
de que poeira, areia, pedaços de madeira ou outros objectos estranhos não entrem na ferramenta onde a deixar.

- Não aponte a porta de ejeção a ninguém nas proximidades. Mantenha as mãos e pés afastados da área do porto de ejeção.
- Se a mangueira de ar estiver ligada, não carregue a ferramenta com o dedo no gatilho nem a entregue a alguém nessa condição. O disparo acidental pode ser extremamente perigoso.
- Manuseie a ferramenta com cuidado dado que há pressão muito alta dentro da mesma e pode ser perigoso se houver uma fissura causada por manuseio impróprio (derrubar ou bater a mesma). Não tente entalhar ou esculpir na ferramenta.
- Pare de pregar imediatamente se notar qualquer problema ou algo anormal com a ferramenta.
- Desligue sempre a mangueira de ar e retire todos os pregos:
 - (1) Quando sem vigilância.
 - (2) Antes de efectuar qualquer operação de manutenção ou reparação. Frequência de pregação (vezes/min.)
 - (3) Antes de eliminar qualquer obstrução.
 - (4) Antes de levar a ferramenta para um novo local.
- Efectue a limpeza e a manutenção logo após terminar o trabalho. Mantenha a ferramenta em óptimas condições. Lubrifique as peças giratórias para evitar que fiquem enferrujadas e para minimizar o desgaste devido à fricção. Limpe a poeira das peças.
- Não utilize a ferramenta se não tiver uma ETIQUETA DE AVISO legível.
- Não modifique a ferramenta sem autorização prévia da Makita.
- Solicite a inspecção periódica da ferramenta nos centros de assistência autorizados Makita.
- Para manter os níveis de SEGURANÇA e FIABILIDADE definidos para este produto, as reparações e operações de manutenção devem ser executadas por centros de assistência Makita autorizados, utilizando sempre peças de substituição da Makita.
- Utilize apenas o lubrificante para ferramentas pneumáticas especificado neste manual.
- Nunca ligue a ferramenta à linha de ar comprimido onde o máximo de pressão permitido da ferramenta não possa exceder os 10%. Certifique-se de que a pressão fornecida pelo sistema de ar comprimido não excede a pressão máxima permitida da ferramenta de inserção de pregos. Inicialmente ajuste a pressão do ar para o valor mínimo recomendado para a pressão permitida.
- Não tente manter o elemento de contacto do gatilho pressionado com fita-cola ou fios. Pode provocar ferimentos sérios.
- Verifique sempre o elemento de contacto de acordo com este manual. Os pregos podem não penetrar o suficiente se o mecanismo de segurança não estiver a funcionar correctamente.

GUARDE ESTAS INSTRUÇÕES.

INSTALAÇÃO

Compressor de selecção



- Selecione um compressor que tenha ampla pressão e saída de ar para garantir uma operação com eficiência de custo. O gráfico ilustra a relação entre a frequência de pregar, pressão aplicável e saída do ar comprimido. Por exemplo, se pregar a uma taxa de aproximadamente 60 vezes por minuto, a uma compressão de 0,69 MPa (6,9 bar), é necessário um compressor com saída de ar de 60 L/min. Se a pressão do ar fornecido exceder a pressão indicada na ferramenta, será necessário utilizar reguladores de pressão para limitar a pressão do ar de acordo com a pressão indicada para a ferramenta. Caso contrário, poderá resultar em ferimentos graves ao operador da ferramenta ou a outras pessoas nas proximidades.

Seleção do tubo flexível de ar (Fig. 2)

- Utilize um tubo flexível de ar tão longo e tão curto quanto possível para garantir uma operação contínua e eficiente. Com pressão de ar de 0,49 MPa (4,9 bar), é recomendável um tubo flexível de fornecimento de ar com diâmetro interno maior que 6,5 mm (1/4") e comprimento inferior a 20 m (6,6 pés) se o intervalo entre cada prego for de 0,5 segundos. Os tubos flexíveis de fornecimento do ar possuem uma classificação de funcionamento mínimo de 1,03 MPa (10,3 bar) ou 150 por cento da pressão máxima produzida no sistema, o que for superior.

PRECAUÇÃO:

- Pouca saída de ar do compressor ou um tubo flexível de ar longo e com diâmetro mais pequeno em relação à frequência de pregação pode diminuir a capacidade de operação da ferramenta.

Lubrificação (Fig. 3 e 4)

Para garantir o máximo desempenho, instale um conjunto de ar (recipiente de óleo, regulador e filtro de ar) o mais próximo possível da ferramenta. Ajuste o lubrificador de forma que forneça uma gota de óleo para cada 50 pregos. Se não utilizar um conjunto de ar, lubrifique a ferramenta com óleo pneumático colocando 2 (duas) ou 3 (três) gotas no conector de ar. Isto deve ser feito antes e depois de utilizar. Para lubrificação adequada, a ferramenta deve ser accionada algumas vezes após colocar o óleo pneumático.

DESCRIÇÃO DO FUNCIONAMENTO

PRECAUÇÃO:

- Desligue sempre o tubo flexível antes de regular ou verificar a função da ferramenta.

Regular a profundidade de pregagem (Fig. 5)

Para ajustar a penetração do prego, rode o ajustador. A penetração máxima ocorre na posição em que o ajustador está totalmente rodado na direcção A apresentada na imagem. A penetração diminui à medida que o ajustador é rodado para a direcção B. Se os pregos não penetrarem o suficiente mesmo quando o ajustador está totalmente rodado para a direcção A, aumente a pressão do ar. Se os pregos penetrarem demais, mesmo quando o ajustador está totalmente rodado na direcção B, diminua a pressão do ar. Em geral, a vida útil da ferramenta será mais longa se a ferramenta for utilizada com baixa pressão de ar e o ajustador for regulado num número baixo.

PRECAUÇÃO:

- Desligue sempre o tubo flexível antes de regular a profundidade de pregar.

Gancho (Fig. 6)

PRECAUÇÃO:

- Desligue sempre o tubo flexível da ferramenta.
- Nunca pendure a ferramenta num local elevado ou potencialmente instável.

O gancho é muito útil para pendurar a ferramenta quando necessário.

MONTAGEM

PRECAUÇÃO:

- Desligue sempre o tubo flexível antes de efectuar qualquer trabalho na ferramenta.
- Carregue sempre o mesmo tipo, tamanho e comprimento uniforme de pregos quando carregar pregos no carregador.

Carregar o pregador

Pressione o manípulo e abra a tampa corrediça do carregador puxando-a para si com o manípulo pressionado. (Fig. 7)

Alinhe a ponta dos pregos com as ranhuras no fundo dos carregadores e empurre os pregos para a abertura de disparo. (Fig. 8)

Feche a tampa corrediça.

Adaptador de ponta (Fig. 9 e 10)

PRECAUÇÃO:

- Desligue sempre o tubo flexível antes de instalar o adaptador de ponta.

Para impedir que a superfície da peça de trabalho seja arranhada ou danificada, utilize o adaptador de ponta colocando a saliência do interior do adaptador de ponta no entalhe no braço de contacto.

Guarde o adaptador de ponta quando não o utilizar. O compartimento de armazenamento encontra-se em

ambos os lados da ferramenta e dentro da mala de transporte.

Ligar o tubo flexível de ar (Fig. 11)

Deslize a entrada de ar do tubo flexível no conector de ar do pregador. Certifique-se de que a entrada de ar fica bem bloqueada no lugar quando instalada no conector de ar. Deve ser instalada uma união do tubo flexível na ou perto da ferramenta, de forma a que o depósito de pressão se descarregue quando a união do fornecimento de ar for desligada.

FUNCIONAMENTO

Para pregar, coloque o elemento de contacto contra a peça de trabalho e aperte o gatilho. (Fig. 12)

PRECAUÇÃO:

- COM O GATILHO MANTIDO NA POSIÇÃO DE MEIO CARREGADO, pode ocorrer uma pregagem inesperada se o elemento de contacto voltar a contactar a peça de trabalho ou outra superfície sob a influência do recuo.

- Para evitar esta pregagem inesperada, execute o seguinte:

A. Não coloque o elemento de contacto contra a peça de trabalho com força excessiva.

B. Carregue completamente no gatilho e mantenha-o pressionado durante 1-2 segundos depois da pregagem.

Direcção da ventilação de ar (Fig. 13)

A direcção da ventilação do ar pode mudar em ângulo de 360 graus girando o regulador da saída de ar com a mão.

Retirar pregos

PRECAUÇÃO:

- Não utilize pregos deformados ou arrancados. Não respeitar esta instrução pode causar mau reabastecimento de pregos.

AVISO:

- Desligue sempre o tubo flexível antes de retirar os pregos.

Abra a tampa corrediça e retire pregos do carregador. (Fig. 14)

Mantendo a tampa corrediça aberta, abra a tampa e retire os pregos.

Retirando a tampa de contacto permite que os pregos sejam retirados com mais facilidade. Quando reinstalar a tampa de contacto, introduza a saliência da tampa de contacto no entalhe no braço de contacto. (Fig. 15 e 16)

Pregos

Manuseie as boninas de pregos e a respectiva caixa com cuidado. Se manusear os pregos electrosoldados descuidadamente, os mesmos podem ficar deformados ou respectivos conectores podem quebrar, causando um mau reabastecimento de pregos. (Fig. 17)

Evite guardar os pregos em lugares muito húmidos ou muito quentes ou em lugares expostos à luz solar directa. (Fig. 18)

MANUTENÇÃO

PRECAUÇÃO:

- Desligue sempre a mangueira antes de tentar executar qualquer inspeção ou manutenção.

Manutenção do pregador

Antes de funcionar, verifique sempre a condição geral da ferramenta e inspecione para ver se há parafusos soltos. Aperte-os como necessário. (Fig. 19)

Com a ferramenta desligada, faça uma inspeção diária para assegurar um movimento livre do elemento de contacto e do gatilho. Não use a ferramenta se o elemento de contacto ou o gatilho estiver peganhoso ou dobrado. (Fig. 20)

Se não for utilizar por um longo período de tempo, lubrifique a ferramenta com óleo pneumático e guarde-a em um local seguro. Evite expor à luz solar directa e/ou a ambientes quentes ou húmidos. (Fig. 21 e 22)

Manutenção do compressor, conjunto de ar e mangueira de ar

Após utilizar, drene sempre o tanque do compressor e o filtro de ar. Se humidade penetrar na ferramenta, poderá afectar o desempenho ou causar falha da ferramenta. (Fig. 23 e 24)

Inspeccione regularmente para ver se há óleo pneumático suficiente no recipiente de óleo do conjunto de ar. Se não efectuar a lubrificação suficiente, os anéis O-rings ficarão rapidamente desgastados. (Fig. 25)

Mantenha o tubo de ar flexível afastado do calor (acima de 60°C ou 140°F) e de produtos químicos (diluente, ácidos fortes e álcalis). Além disso, coloque a mangueira longe de obstáculos nos quais a mesma possa ser presa perigosamente durante a operação. O tubo flexível também deve ser direccionado para longe de arestas aguçadas ou áreas que possam causar danos ou abrasão no tubo flexível. (Fig. 26)

Para manter os níveis de SEGURANÇA e FIABILIDADE definidos para este produto, reparações, operações de manutenção ou ajustes devem ser executados por centros de assistência Makita autorizados e, no caso de substituição de peças, estas devem ser igualmente Makita.

ACESSÓRIOS

PRECAUÇÃO:

- Estas peças ou acessórios são os recomendados para utilizar com a ferramenta Makita especificada neste manual. A utilização de outras peças ou acessórios pode representar risco de ferimentos. Utilize cada peça ou acessório apenas para o fim indicado.

Se necessitar de informações adicionais relativas a estes acessórios, contacte o centro de assistência Makita local.

- Pregos
- Tubos flexíveis de ar
- Óculos protectores

Forklaring til generel oversigt

- | | | |
|-----------------------------|----------------------|--------------------|
| 1. Beskyttelsesbriller | 7. Spidsadapter | 13. Kontakttop |
| 2. Ansigtmaske | 8. Opbevaringsplads | 14. Kontaktarm |
| 3.olie til trykluftsværktøj | 9. Luftbøsning | 15. Aftapningshane |
| 4. Justeringsenhed | 10. Lufttilslutning | 16. Luftfilter |
| 5. Krog | 11. Udsugningsdæksel | 17. Smørenippel |
| 6. Fremspring | 12. Holdemekanisme | 18. Trykluftolie |

SPECIFIKATIONER

Model	AF505
Luftryk	0,39 – 0,78 MPa (3,9 – 7,8 bar)
Sømlængde	15 – 50 mm
Sømkapacitet	100 stk.
Størrelse (L x H x B)	260 x 64 x 237 mm
Mindste diameter af slange	6,5 mm
Nettovægt	1,4 kg

Symboler

END106-1

Følgende viser de symboler, der benyttes for udstyret. Vær sikker på, at De forstår deres betydning, før De bruger værktøjet.



..... Læs brugsanvisningen.



..... Bær beskyttelsesbriller.



..... Anvend ikke værktøjet på stilladser eller stiger.

VIGTIGE SIKKERHEDSINSTRUKTIONER

ENB100-2

ADVARSEL: UNDER ANVENDELSEN AF VÆRKTØJET SKAL DE ALTID OVERHOLDE GRUNDLÆGGENDE SIKKERHEDSFORANSTALTNINGER FOR AT MINDSKE RISIKOEN FOR PERSONSKADE, INKLUSIVE FØLGENDE:

LÆS ALLE INSTRUKTIONER.

- Af hensyn til Deres personlige sikkerhed og for at sikre korrekt brug og vedligeholdelse af værktøjet skal De læse denne brugsanvisning, før De anvender værktøjet.
- Bær altid beskyttelsesbriller for at beskytte øjnene mod støv eller skader forårsaget af søm.

ADVARSEL:

- Det er arbejdsgiverens ansvar at påbyde brug af beskyttelsesudstyr til øjnene af brugerne af værktøjet samt af andre personer i arbejdsområdet.

Gælder kun Australien og New Zealand

Bær altid beskyttelsesbriller og ansigtmaske for at beskytte øjnene mod støv eller skader forårsaget af søm. Beskyttelsesbrillerne og ansigtmaskerne skal være i overensstemmelse med AS/NZS 1336.

ADVARSEL:

Det er arbejdsgiverens ansvar at påbyde brug af beskyttelsesudstyr til øjnene af brugerne af værktøjet samt af andre personer i arbejdsområdet. (Fig. 1)

- Bær høreværn for at beskytte hørelsen mod motorstøj, og bær desuden hovedbeskyttelse. Bær også let, men ikke løs beklædning. Ærmer skal være knappet eller rullet op. Undlad at bære slips.
- Det er farligt at arbejde forhastet eller bruge magt på værktøjet. Håndter værktøjet forsigtigt. Undlad at

- benytte det, når De er påvirket af alkohol, medicin eller lignende.
- Generelle retningslinjer for brug af værktøjet:
 - (1) Gå altid ud fra, at værktøjet indeholder søm.
 - (2) Ret ikke værktøjet mod Dem selv eller andre, uanset om det indeholder søm eller ikke.
 - (3) Aktiver ikke værktøjet, medmindre det er placeret fast mod arbejdsemnet.
 - (4) Respekter værktøjet som et arbejdsredskab.
 - (5) Undlad at lege med værktøjet.
 - (6) Undlad at holde eller bære værktøjet med en finger på afbryderkontakten.
 - (7) Undlad at sætte søm i værktøjet, mens en af betjeningskontrollerne er aktiveret.
 - (8) Undlad at betjene værktøjet med en anden strømkilde end den, der er angivet i værktøjets betjenings- og sikkerhedsinstruktioner.
 - Anvend ikke værktøjet, hvis det ikke fungerer korrekt.
 - Der kan forekomme gnister, når værktøjet anvendes. Undlad at anvende værktøjet i nærheden af flygtige, brændbare materialer som benzin, fortynder, maling, gas, klæbemidler osv. De kan antændes og eksplodere og forårsage alvorlig personskade.
 - Arbejdsområdet skal være tilstrækkeligt oplyst til at sikre forsvarlig anvendelse. Området skal være rent og frit for affald. Sørg især for at sikre godt fodfæste og god balance.
 - Kun personer, der deltager i arbejdet, må opholde sig i nærheden. Især må børn ikke komme i nærheden.
 - Der kan gælde lokal lovgivning vedrørende støj, som skal overholdes for at holde støjniveauet inden for de lovmæssige grænser. I nogle tilfælde skal der benyttes skodder til at dæmpe støjen.
 - Undlad at pille ved kontaktelelementet. Det forhindrer udladning ved uheld og skal forblive monteret og må ikke fjernes. Det er også meget farligt at fastlåse afbryderkontakten i ON-stillingen. Forsøg aldrig at fastlåse afbryderkontakten. Undlad at betjene værktøjet, hvis nogen af betjeningskontrollerne ikke kan benyttes, er deaktiveret, ændret eller ikke fungerer korrekt.
 - Anvend værktøjet med det angivne lufttryk på 0,39 – 0,78 MPa (3,9 – 7,8 bar) af sikkerhedshensyn og for at forlænge værktøjets levetid. Undlad at overskride det anbefalede maksimale driftstryk på 0,78 MPa (7,8 bar). Værktøjet må ikke sluttes til en kilde, hvis tryk kan overskride 1,37 MPa (13,7 bar).
 - Sørg for, at det tryk, som luftkompressorsystemet leverer, ikke overskrider sømpistolens maksimalt tilladte tryk. Indstil først lufttrykket til den laveste værdi for det anbefalede tilladte tryk (se under SPECIFIKATIONER).
 - Brug aldrig værktøjet sammen med andet end komprimeret luft. Hvis der benyttes flaskegas (kuldioxid, ilt, nitrogen, brint, luft osv.) eller brændbar gas (brint, propan, acetylen osv.) som drivmiddel til værktøjet, kan værktøjet eksplodere og forårsage alvorlig personskade.
 - Kontroller altid værktøjets generelle tilstand, og se efter løse skruer før brugen. Stram til efter behov.
 - Sørg for, at alle sikkerhedssystemer fungerer, før anvendelsen. Værktøjet må ikke fungere, hvis der kun trækkes i aftrækkeren, eller kun hvis kontaktarmen trykkes mod træet. Det må kun fungere, når begge disse handlinger udføres. Kontroller for eventuel fejlfunktion uden søm i værktøjet.
 - Kontroller vægge, lofter, gulve, tage og lignende omhyggeligt for at undgå risiko for elektrisk stød, gasudsvinng, eksplosioner osv. ved at ramme strømførende ledninger, vandledninger eller gasrør.
 - Brug kun de søm, der er angivet i denne brugsanvisning. Brug af andre søm kan beskadige værktøjet.
 - Anvend aldrig sømpistoler, der er mærket med symbolet "Må ikke anvendes på stilladser, stiger" til bestemte formål, f.eks.:
 - Ved skift fra et arbejdssted til et andet, der involverer brug af stilladser, trapper, stiger eller stigelignende konstruktioner som f.eks. taglægger.
 - Lukning af kasser eller tremmekasser.
 - Montering af transportsikkerhedssystemer, f.eks. på biler og vogne.
 - Lad ikke uøvede personer benytte værktøjet.
 - Sørg for, at der ikke er andre i nærheden, før De påbegynder søm-idrivning. Forsøg aldrig at sømme fra både indersiden og ydersiden samtidigt. Søm kan gå igennem og/eller flyve væk og udgøre en alvorlig fare.
 - Vær opmærksom på fodfæstet, og hold balancen med værktøjet. Sørg for, at der ikke er nogen under Dem, når de arbejder på højtliggende steder, og fastgør luftslangen for at forebygge fare i tilfælde af pludselige ryk eller ved fastklemning.
 - På tage og andre højtliggende steder skal De sømme, efterhånden som De bevæger Dem fremad. De risikerer at miste fodfæstet, hvis De sømmer, mens De går baglæns. Når De sømmer i vinkelrette overflader, skal De sømme oppefra og nedefter. På denne kan De arbejde uden at blive træet.
 - Et søm kan blive bøjet eller sidde fast i værktøjet, hvis De ved en fejltagelse driver søm oven i et andet søm eller rammer en knast i træet. Sømmet kan blive slynget ud og ramme personer, eller selve værktøjet kan reagere på en farlig måde. Vær omhyggelig med placeringen af søm.
 - Undlad at lade værktøjet med søm eller luftkompressoren under tryk ligge i solen i længere tid. Sørg for, at støv, sand, spåner og fremmedlegemer ikke kan komme ind i værktøjet på det sted. De efterlader det.
 - Ret ikke udstødsporten mod personer i nærheden. Hold hænder og fødder borte fra området omkring udstødsporten.
 - Undlad at bære værktøjet med fingeren på afbryderkontakten eller at række det til andre i denne tilstand, når luftslangen er tilsluttet. Utilsigtet affyring af søm kan være ekstremt farlig.
 - Hånder værktøjet forsigtigt, da der er højtryk inde i værktøjet, som kan være farlig, hvis hårdhændet behandling (stød eller slag) forårsager revner. Forsøg ikke at snitte eller gravere i værktøjet.
 - Stop øjeblikkeligt søm-idrivningen, hvis De bemærker fejlfunktion eller noget unormalt ved værktøjet.
 - Tag altid luftslangen ud, og fjern alle søm:
 - (1) Når værktøjet efterlades uden opsyn.

(2) Før De udfører vedligeholdelse eller reparation.
Sømfrekvens (gange/min.)

(3) Før De fjerner fastklemte søm.

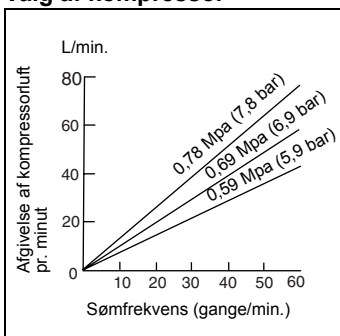
(4) Før værktøjet transporteres til et andet sted.

- Udfør rengøring og vedligeholdelse umiddelbart efter, at De er færdig med arbejdet. Hold værktøjet i perfekt stand. Smør bevægelige dele for at forebygge rust og slid som følge af friktion. Tør alt støv bort fra delene.
- Undlad at anvende værktøjet, hvis det ikke har en læselig ADVARSELSETIKET.
- Undlad at ændre værktøjet uden godkendelse fra Makita.
- Bed Makitas autoriserede servicecentre om at udføre regelmæssigt eftersyn af værktøjet.
- For at holde produktet SIKKERT og PÅLIDELIGT skal vedligeholdelse udføres af autoriserede Makita-servicecentre, og der skal benyttes Makita-reservedele.
- Brug kun olie til trykluftsværktøj, der er angivet i denne brugsanvisning.
- Slut aldrig værktøjet til en luftkompressionsledning, hvis værktøjets maksimale tilladte tryk ikke må overstiges med 10 %. Sørg for, at det tryk, som luftkompressorsystemet leverer, ikke overskrider sømpistolens maksimale tilladte tryk. Indstil først lufttrykket til den laveste værdi for det anbefalede tilladte tryk.
- Forsøg ikke at holde afbryderkontakten nede ved hjælp af tape eller ståltråd. Det kan afstedkomme dødsfald eller alvorlig personskade.
- Tjek altid kontaktelemler som anvist i denne brugsanvisning. Søml kan blive drevet, hvis sikkerhedsmekanismen ikke fungerer korrekt.

GEM DISSE INSTRUKTIONER.

MONTERING

Valg af kompressor



- Vælg en kompressor med tilstrækkeligt tryk og luftudgang til at sikre en effektiv drift. Grafen viser forholdet mellem sømfrekvens, anvendt tryk og kompressorens luftudgang. Hvis søm-idrivning f.eks. udføres med en hastighed på cirka 60 gange i minuttet ved en kompression på 0,69 MPa (6,9 bar), skal der anvendes en kompressor med en luftudgang på mere end 60 L/min.
Der skal benyttes trykregulatorer for at begrænse

lufttrykket til værktøjets nominelle tryk, hvis luftforsyningsens tryk overskrider værktøjets nominelle tryk. Undladelse af dette kan medføre alvorlig personskade på operatøren eller personer i nærheden.

Valg af luftslange (Fig. 2)

- Anvend en luftslange, der er så tyk og så kort som muligt, for at sikre kontinuert og effektiv søm-idrivning. Med et lufttryk på 0,49 MPa (4,9 bar) anbefales det at benytte en luftslange med en indvendig diameter på mindst 6,5 mm og en længde på højst 20 m, hvis intervallet mellem hver søm-idrivning er 0,5 sekund. Luftforsyningssslanger skal mindst være godkendt til den højeste værdi af et arbejdstryk på 1,03 MPa (10,3 bar) eller 150 procent af det maksimale tryk, som systemet udvikler.

FORSIGTIG:

- En for lav luftudgang fra kompressoren eller en for lang og tynd luftslange i forhold til sømfrekvensen kan reducere værktøjets drivkapacitet.

Smøring (Fig. 3 og 4)

For at sikre maksimal ydelse skal der monteres et luftsæt (smørenippel, regulator, luftfilter) så tæt på værktøjet som muligt. Juster smøreniplen, så der tilføres en dråbe olie for hver 50 søm. Hvis der ikke anvendes et luftsæt, skal De smøre værktøjet med olie til lufttrykværktøj ved at tilføre 2 (to) eller 3 (tre) dråber i luftsliutningen. Gør dette før og efter brugen. For at sikre korrekt smøring skal værktøjet affyres nogle gange, efter at olien til lufttryksværktøj er tilført.

FUNKTIONSBESKRIVELSE

FORSIGTIG:

- Tag altid slangen ud, før værktøjet justeres, eller dets funktionsevne tjekkes.

Indstilling af dybden af søm-idrivning (Fig. 5)

Drej på justeringsenheden for at justere dybden af søm-idrivning. Dybden af søm-idrivningen er størst, når justeringsenheden er drejet helt i A-retningen som vist på figuren. Dybden bliver mindre, når justeringsenheden drejes i B-retningen. Hvis søm ikke kan drives dybt nok, selv om justeringsenheden er drejet helt i A-retningen, skal De forøge lufttrykket. Hvis søm drives for dybt, selv om justeringsenheden er drejet helt i B-retningen, skal De reducere lufttrykket. Generelt vil værktøjets levetid blive forlænget, hvis værktøjet benyttes med et lavere lufttryk, og justeringsenheden er indstillet til en mindre dybde for søm-idrivning.

FORSIGTIG:

- Tag altid slangen ud, før dybden af søm-idrivningen justeres.

Krog (Fig. 6)

FORSIGTIG:

- Tag altid slangen ud af værktøjet.
- Hæng aldrig værktøjet på et højt sted eller på et potentielt ustabilt underlag.

Kroge er nyttig til midlertidig ophængning af værktøjet.

MONTERING

FORSIGTIG:

- Tag altid slangen ud, før der udføres arbejde på værktøjet.
- Brug søm af samme type, størrelse og længde, når der skal indsættes søm i magasinet.

Isætning af sømholder

Tryk på håndtaget, og åbn skydelemmen på magasinet ved at trække imod Dem selv, mens håndtaget holdes inde. (Fig. 7)

Juster sømspidserne i forhold til rillerne i bunden af magasinet, og tryk hele sømmet mod affyringsåbningen. (Fig. 8)

Luk skydelemmen.

Spidsadapter (Fig. 9 og 10)

FORSIGTIG:

- Tag altid slangen ud, før spidsadapteren påmonteres.
- For at undgå, at overfladen af arbejdsemnet bliver ridset eller beskadiget, skal De benytte spidsadapteren ved at fastgøre fremspringet inde i spidsadapteren til indhakket i kontaktarmen.

Opbevar spidsadapteren på sin plads, når den ikke benyttes. Den kan opbevares på begge sider af værktøjet og i bæretasken.

Montering af luftslange (Fig. 11)

Anbring luftbøsningen på luftslangen over lufttilslutningen på sømholderen. Sørg for, at luftbøsningen låses fast på plads, når den monteres på lufttilslutningen. Der skal være monteret en slangekobling på eller i nærheden af værktøjet på en sådan måde, at trykreservoiret forsvinder, når luftforsyningskoblingen tages ud af forbindelse.

BETJENING

For at idrive et søm skal De placere kontaktelementet mod arbejdsemnet og aktivere afbryderkontakten. (Fig. 12)

FORSIGTIG:

- HVIS AFBRYDERKONTAKTEN HOLDES HALVT NEDE, kan der forekomme uventet søm-idrivning, hvis kontaktelementet kommer i kontakt med arbejdsemnet eller en anden overflade igen på grund af tilbageslaget.
- Gør følgende for at undgå uventet søm-idrivning:
 - A. Undlad at trykke kontaktelementet for hårdt mod arbejdsemnet.
 - B. Træk afbryderkontakten helt tilbage, og hold den der i 1-2 sekunder efter søm-idrivningen.

Retning af udsugningsluft (Fig. 13)

Retningen af udsugningsluften kan ændres i 360 graders vinkel ved at dreje udsugningsdækslet med en hånd.

Udtagning af søm

FORSIGTIG:

- Anvend ikke søm eller sømbeholder, som er deformet. Undladelse af dette medfører en dårlig sømfremføring.

ADVARSEL:

- Tag altid slangen ud, før der udtages søm.
- Åbn skydelemmen, og tag søm ud af magasinet. (Fig. 14)
- Mens skydelemmen holdes åben, åbnes lemmen og sømmene udtages.
- Ved at fjerne kontakttoppen kan sømmene nemt tages ud. Når kontakttoppen påmonteres igen, skal kontakttoppens fremspring sættes ind i indhakket i kontaktarmen. (Fig. 15 og 16)

Søm

Håndter sømbånd og æsken med dem forsigtigt. Hvis sømbånd håndteres hårdt, kan de blive bøjet, eller deres forbindelse ødelægges, så sømfremføringen forhindres. (Fig. 17)

Undgå at opbevare søm på fugtige eller varme steder eller på steder, der er udsat for direkte sollys. (Fig. 18)

VEDLIGEHOVELSE

FORSIGTIG:

- Tag altid slangen ud, før De forsøger at udføre inspektion eller vedligeholdelse.

Vedligeholdelse af sømpistol

Kontroller altid værktøjets generelle tilstand, og se efter løse skruer før brugen. Stram til efter behov. (Fig. 19)

Udfør daglig inspektion med værktøjet taget ud af forbindelse for at sikre Dem, at kontaktelementet og afbryderkontakten kan bevæge sig frit. Undlad at bruge værktøjet, hvis kontaktelementet eller afbryderkontakten klemmer eller binder. (Fig. 20)

Hvis værktøjet ikke skal anvendes i længere tid, skal det smøres med en olie til trykluftsværktøj, og værktøjet skal opbevares et sikkert sted. Undgå, at værktøjet udsættes for direkte sollys og/eller fugtige eller varme steder. (Fig. 21 og 22)

Vedligeholdelse af kompressor, luftsæt og luftslange

Efter brugen skal De altid tømme kompressortanken og luftfilteret ud. Hvis der trænger fugt ind i værktøjet, kan det medføre dårlig ydelse og risiko for fejlfunktion. (Fig. 23 og 24)

Kontroller regelmæssigt, om der er tilstrækkelig trykluftsolie i smøreneplen på luftsættet. Forsømmelse af tilstrækkelig smøring uden om forhindringer, hvor den nedslides. (Fig. 25)

Udsæt ikke luftslangen for varme (over 60 °C) eller for kemikalier (fortynder, stærke syrer eller baser). Sørg også for at føre luftslangen uden om forhindringer, hvor den kan komme i klemme under brugen. Slanger skal desuden holdes borte fra skarpe kanter og områder, der kan medføre beskadigelse eller slid på slangen. (Fig. 26)

For at holde produktet SIKKERT og PÅLIDELIGT skal reparationer samt al anden vedligeholdelse og justering udføres af autoriserede Makita-servicecentre, og der skal altid benyttes Makita-reservedele.

TILBEHØR

FORSIGTIG:

- Dette tilbehør eller ekstraudstyr anbefales til brug med det Makita-værktøj, som er beskrevet i denne brugsanvisning. Brug af andet tilbehør eller ekstraudstyr kan forårsage personskade. Brug kun tilbehør eller ekstraudstyr til det formål, det er beregnet til.

Henvend Dem til Deres lokale Makita-servicecenter, hvis De har brug for hjælp eller yderligere oplysninger vedrørende tilbehøret.

- Søm
- Luftslinger
- Sikkerhedsbriller

Förklaring till översiktsbilder

- | | | |
|---------------------|-------------------------|----------------------|
| 1. Skyddsglasögon | 7. Nosadapter | 13. Kontaktsko |
| 2. Ansiktsmask | 8. Förvaringsplats | 14. Kontaktarm |
| 3. Tryckluftsolja | 9. Tryckluftsanslutning | 15. Vattenavskiljare |
| 4. Inställningsring | 10. Snabbkoppling | 16. Luftfilter |
| 5. Krok | 11. Utblåskåpa | 17. Dimsmörjare |
| 6. Klack | 12. Spärr | 18. Tryckluftsolja |

SPECIFIKATIONER

Modell	AF505
Luftryck	0,39 – 0,78 MPa (3,9 – 7,8 bar)
Spiklängd	15 – 50 mm
Spikmagasin	100 st
Mått (L X H X B)	260 X 64 X 237 mm
Minsta slangdiameter	6,5 mm
Vikt	1,4 kg

Symboler

END106-1

Följande symboler används för utrustningen. Se till att du förstår innebörden innan du använder maskinen.



..... Läs bruksanvisningen.



..... Använd skyddsglasögon.



..... Använd inte på stegar, ställningar.

**VIKTIGA
SÄKERHETSANVISNINGAR**

ENB100-2

VARNING! VID ANVÄNDNING AV MASKINEN MÅSTE ALLTID FÖLJANDE GRUNDLÄGGANDE SÄKERHETSFÖRESKRIFTER FÖLJAS FÖR ATT MINIMERA RISKEN FÖR PERSONSKADOR:

LÄS ALLA ANVISNINGAR.

- Läs bruksanvisningen innan du använder maskinen med hänsyn till din personliga säkerhet och för rätt handhavande och underhåll.
- Använd alltid skyddsglasögon för att skydda ögonen från damm och spikar.

VARNING!

- Det är arbetsgivarens ansvar att tillse att skyddsglasögon används av användaren av maskinen samt av övriga personer i maskinens omedelbara närhet.

Endast för Australien och Nya Zeeland

Använd alltid skyddsglasögon och ansiktsmask för att skydda ögonen från damm och spikar. Skyddsglasögon och ansiktsmask ska uppfylla kraven i AS/NZS 1336.

VARNING!

Det är arbetsgivarens ansvar att tillse att skyddsglasögon används av användaren av maskinen samt av övriga personer i maskinens omedelbara närhet. **(Fig. 1)**

- Använd hörselskydd och hjälm. Använd åtsittande, men bekväm, klädsel. Ärmarna ska vara knäppta eller uppkavlade. Bär inte slips.
- Undvik tidspress under arbetet och forcera aldrig maskinen. Hantera maskinen försiktigt. Använd inte maskinen under påverkan av alkohol eller mediciner.
- Allmänna riktlinjer för hantering av maskinen:
 - (1) Förutsatt alltid att maskinen är laddad med spik.

- (2) Rikta inte maskinen mot dig själv eller någon annan oavsett om den är laddad eller inte.
 - (3) Tryck inte på avtryckaren utan att maskinen hålls stadigt mot ett arbetsstycke.
 - (4) Behandla maskinen som ett arbetsredskap.
 - (5) Den är ingen leksak.
 - (6) Ha inte fingret på avtryckaren samtidigt som du håller eller bär på maskinen.
 - (7) Ladda inte maskinen med spikar medan en funktion är aktiverad.
 - (8) Använd inte någon annan strömkälla för maskinen än den som anges i bruks- och säkerhetsanvisningar.
- En maskin som inte fungerar på avsett sätt får inte användas.
 - Gnistor kan bildas när maskinen används. Använd därför inte maskinen i närheten av flyktiga eller lättantändliga material, som bensin, thinner, målarfärg, gas, lim osv, eftersom de kan antändas och explodera med allvarliga personskadorna som följd.
 - Arbetsområdet måste ha tillräcklig belysning för att garantera en säker användning. Arbetsområdet ska vara rent och fritt från hindrande föremål. Var särskilt uppmärksam på att alltid ha ordentligt fötäste och god balans.
 - Obehöriga får inte finnas inom arbetsområdet. Var särskilt noga med att barn inte uppehåller sig inom området.
 - Följ även eventuella lokala föreskrifter om bullernivåer. Under vissa omständigheter kan bullerskärmar behöva användas.
 - Sätt inte kontaktelementet ur funktion: Det förhindrar oavsiktlig avfyrning och måste alltid finnas på plats. Att lösa avtryckaren i läget ON är mycket farligt. Försök under inga omständigheter att spärra avtryckaren. Använd inte maskinen om något funktionsreglage är ur funktion, urkopplat eller inte fungerar på avsett sätt.
 - Använd maskinen med föreskrivet lufttryck 0,39 – 0,78 MPa (3,9 – 7,8 bar) av säkerhetsskäl och för längsta möjliga livslängd på maskinen. Överskrid inte det rekommenderade maxtrycket 0,78 MPa (7,8 bar). Maskinen får inte anslutas till en kompressor vars kapacitet kan överskrida 1,37 MPa (13,7 bar).
 - Kontrollera att anslutningstrycket inte överskrider maskinens tillåtna maxtryck. Använd i första hand det lägre värdet på rekommenderat tryck (se SPECIFIKATIONER).
 - Försök aldrig att driva maskinen med annat än tryckluft. Om gasflaskor (koldioxid, syre, kväve, väte, luft osv) eller brännbara gaser (väte, propan, acetylen osv) används för att driva maskinen kommer den att explodera och orsaka allvarliga personskadorna.
 - Kontrollera alltid maskinens allmänna kondition innan du använder den och tillse att det inte finns lösa skruvar. Dra fast skruvarna om det behövs.
 - Kontrollera alltid att alla skyddsanordningar fungerar innan du använder maskinen. Maskinen får inte fungera om du endast trycker på avtryckaren eller endast trycker kontaktarmen mot arbetsstycket. Både avtryckare och kontaktarm måste användas. Funktionskontrollera maskinen utan spikar i magasinet.
 - Kontrollera väggar, golv, inner- och yttertak o dyl noggrant för att inte råka spika i el- eller gasledning
- och orsaka kortslutning, elstötar, gasläckage, explosioner osv.
- Använd endast spiktyper som specificeras i denna bruksanvisning. Andra typer av spikar kan medföra att maskinen inte fungerar på avsett sätt.
 - Använd aldrig spikmaskiner märkta med symbolen "Använd inte på stegar, ställningar" för arbetsuppgifter av följande typ:
 - Om du under arbetets gång måste använda byggnadsställning, trappa, stege eller liknande, t ex takläkt
 - Hopspikning av lådor
 - Montering av transportsäkringar, till exempel på fordon och vagnar
 - Låt inte obehöriga begagna sig av maskinen.
 - Kontrollera att obehöriga inte uppehåller sig inom arbetsområdet innan du använder maskinen. Spika aldrig från insidan och utsidan i samma moment. Spikar riskerar att skjutas igenom och/eller iväg och orsaka en allvarlig risksituation.
 - Se till att alltid ha ordentligt fötäste och god balans när du använder maskinen. Kontrollera att andra personer inte befinner sig under dig när du arbetar på hög höjd och säkerställ att tryckluftslangen inte utgör en olycksrisk.
 - Rör dig aldrig baklänges på hustak och andra arbetsplatser på hög höjd medan du spikar. Det är lätt att förlora fötästet om du rör dig bakåt samtidigt som du spikar. Om du ska spika vertikalt ska du spika uppifrån och ned. Det är mindre tröttnande.
 - Om du råkar spika i en annan spik eller i en kvist i träverket kan spiken böjas eller maskinen fastna. Spiken kan i detta fall kastas iväg och orsaka personskada. Även maskinen i sig kan utgöra en olycksrisk. Var noggrann med var du placerar spikarna.
 - Lämna inte en laddad maskin eller en trycksatt kompressor i direkt solljus under längre tid. Förvara maskinen på en plats där den inte riskerar att utsättas för damm, sand, spånor eller andra partiklar.
 - Rikta inte mynningen mot andra personer. Se också till att dina egna händer och fötter inte är i risken.
 - När tryckluftslangen är ansluten ska du inte bära maskinen eller räkna över den till någon annan samtidigt som du har fingret på avtryckaren. Oavsiktlig avfyrning kan vara mycket farligt.
 - Hantera maskinen försiktigt. En spricka orsakad av ovarsam hantering utgör en risk i en trycksatt maskin. Försök aldrig att rista in eller gravera något på maskinen.
 - Avbryt arbetet omedelbart om du misstänker att något är fel eller onormalt med maskinen.
 - Koppla alltid loss luftslangen och ta ur spikarna i följande situationer:
 - (1) När spikmaskinen lämnas utan tillsyn.
 - (2) Inför underhåll och reparationer. Spikfrekvens (ggr/min)
 - (3) När en spik som har fastnat ska tas bort.
 - (4) Innan maskinen flyttas till en annan plats.
 - Rengör och underhåll maskinen direkt efter avslutat arbete. Se till att alltid hålla den i bästa skick. Smörj rörliga delar för att förhindra korrosion och minimera friktionsrelaterad förorening. Torka bort allt damm från de olika delarna.

- Använd inte denna maskin om den inte är försedd med en giltig VARNINGSETIKETT.
- Gör inga ändringar på maskinen utan tillstånd från Makita.
- Låt ett auktoriserat Makita servicecenter utföra regelbunden kontroll av maskinen.
- För att upprätthålla produktens SÄKERHET och TILLFÖRLITLIGHET bör allt underhålls- och justeringsarbete utföras av ett auktoriserat Makita servicecenter och med reservdelar från Makita.
- Använd endast tryckluftsolja som specificeras i denna bruksanvisning.
- Anslut aldrig maskinen till en tryckluftsledning som inte är konstruerad för maskinens högsta tillåtna tryck plus 10 %. Kontrollera att anslutningstrycket inte överskrider maskinens tillåtna maxtryck. Använd i första hand det lägre värdet på rekommenderat tryck.
- Försök inte att spärra kontaktelementet i intryckt läge med tejp eller tråd. Det innebär livsfara eller risk för allvarliga olyckor.
- Kontrollera alltid kontaktelementet enligt anvisningarna i denna bruksanvisning. Spikar kan avfyra oavsiktligt om säkerhetsmekanismen inte fungerar på avsett sätt.

arbetstryck på 1,03 MPa (10,3 bar) eller 150 % av maximala arbetstrycket i systemet beroende på vilket som är högst.

FÖRSIKTIGT!

- Låg kompressorkapacitet, lång slang eller liten diameter i förhållande till spikfrekvensen kan minska maskinens spikindrivningskraft.

Smörjning (Fig. 3 & 4)

Anslut luftfiltrering (dimsmörjning, regulator, luftfilter) så nära maskinen som möjligt för att säkerställa bästa möjliga prestanda. Ställ in dimsörjningen till en droppe olja per 50 spikar. Om luftfilter/dimsörjning inte används måste du smörja maskinen med två (2) eller tre (3) droppar tryckluftsolja i tryckluftanslutningen. Detta ska göras både före och efter användningen. Avfyra maskinen några gånger för att smörjmedlet ska spridas på rätt sätt.

FUNKTIONSBESKRIVNING

FÖRSIKTIGT!

- Koppla alltid ur slangen innan du justerar eller funktionskontrollerar maskinen.

Ställa in spikdjup (Fig. 5)

Ställ in spikdjupet genom att vrida inställningsringen. Du får störst spikdjup när du vridit inställningsringen så långt det går i riktning A enligt figuren. Det minskar när ringen vrids i riktning B. Om spikarna inte kan drivas in trots att inställningsringen har vridits helt i riktning A ökar du trycket. Om spikdjupet är för djupt och inställningsringen har vridits helt i riktning B minskar du trycket. I allmänhet ökar maskinens livslängd om du använder ett lägre lufttryck och en lägre djupinställning.

FÖRSIKTIGT!

- Koppla alltid bort slangen innan du ändrar djupinställningen.

Krok (Fig. 6)

FÖRSIKTIGT!

- Koppla alltid bort slangen från maskinen.
- Häng aldrig upp maskinen på hög höjd eller på platser som inte är helt stabila.

Kroken används för att hänga upp maskinen temporärt.

MONTERING

FÖRSIKTIGT!

- Koppla alltid ur slangen innan något som helst arbete utförs på maskinen.
- Ladda alltid magasinet med spikar av samma typ, storlek och längd.

Ladda spikmaskinen

Tryck in armen och öppna magasinets skjutlucka genom att dra den mot dig medan armen hålls intryckt. (Fig. 7)

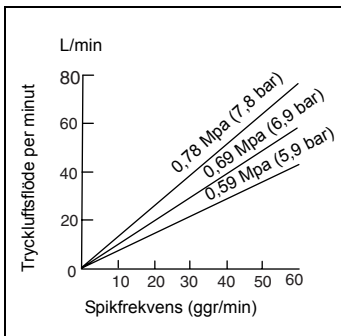
Rikta in spikspetsarna mot spåren i magasinets botten och skjut spikarna mot avfyrningsmynningen. (Fig. 8)

Stäng skjutluckan.

SPARA DESSA ANVISNINGAR.

INSTALLATION

Välja kompressor



- Välj en kompressor med lämpligt tryck och luftflöde för en kostnadseffektiv drift. Diagrammet visar relationen mellan spikfrekvens, applicerat tryck och luftflöde från kompressorn. Om du ska spika ca 60 spikar i minuten och trycket är 0,69 MPa (6,9 bar) måste kompressorns kapacitet vara minst 60 L/min.

Tryckregulatorer måste användas för att begränsa trycket till maskinens nominella tryck om tryckluftsystemet ger ett högre tryck. I annat fall finns risk för allvarliga personskadorna för både användaren och personer i närheten.

Välja tryckluftslang (Fig. 2)

- För en effektiv och avbrottsfri användning ska tryckluftslangen vara så kort som möjligt och ha största möjliga diameter. För lufttrycket 0,49 MPa (4,9 bar) rekommenderas en slang med en innerdiameter på minst 6,5 mm (1/4 tum) och en längd på upp till 20 m (6,6 fot) om spikfrekvensen är 2 spikar per sekund. Tryckluftslangen ska vara märkt för ett minsta

Nosadapter (Fig. 9 & 10)

FÖRSIKTIGT!

- Koppla alltid bort slangen innan du installerar nosadaptern.

För att förhindra att arbetsstyckets yta repas eller skadas ska nosadaptern monteras så att tappen på dess insida passas in i spåret i kontaktarmen.

Förvara nosadaptern på sin plats när den inte används. Förvaringsplatser finns på båda sidorna av maskinen och på insidan av förvaringsväskan.

Ansluta tryckluftslangen (Fig. 11)

Skjut på luftslangens snabbkoppling på spikmaskinens tryckluftsgång. Kontrollera att snabbkopplingen låser slangen. En slangkoppling måste monteras på eller så nära maskinen att trycket släpps när slangen kopplas loss.

ANVÄNDNING

När du ska spika trycker du kontaktarmen mot arbetsstycket och trycker in avtryckaren. (Fig. 12)

FÖRSIKTIGT!

- NÄR AVTRYCKAREN ÄR HALVVÄGS INTRYCKT kan oväntad spikning inträffa om kontaktelementet kommer i kontakt med arbetsstycket eller något annat föremål under rekylan.
- För att undvika detta gör du på följande sätt:
A. Tryck aldrig kontaktelementet hårt mot arbetsstycket.
B. Tryck in avtryckaren helt och håll den intryckt 1 - 2 sekunder efter spikningen.

Riktning på utloppsluften (Fig. 13)

Riktningen på utloppsluften kan ändras 360 grader genom att vrida utblåskåpan för hand.

Ta ur spikarna

FÖRSIKTIGT!

- Använd inte deformerade spikar eller spikband. I annat fall kan spikmatningen påverkas negativt.

WARNING!

- Koppla alltid bort slangen innan du tar ur spikarna.

Öppna skjutluckan och ta ur spikarna ur magasinet.

(Fig. 14)

När skjutluckan är öppen: Öppna luckan och ta bort spikarna.

Ta bort kontaktskon för att det ska vara lättare att ta bort spikarna. Passa in tappen på kontaktskon i spåret på kontaktarmen när du sätter fast kontaktskon igen. (Fig. 15 och 16)

Spikar

Var försiktig när du hanterar spikband och spikbandsförpackningar. Om ett spikband hanteras ovarsamt kan spikarna deformeras eller lossna vilket leder till dålig spikmatning. (Fig. 17)

Undvik att förvara spikbanden i mycket fuktiga eller varma utrymmen eller i direkt solljus. (Fig. 18)

UNDERHÅLL

FÖRSIKTIGT!

- Koppla alltid loss slangen före kontroll och underhåll.

Underhåll av spikmaskinen

Kontrollera alltid maskinens allmänna kondition innan du använder den och tillse att det inte finns lösa skruvar. Dra fast skruvarna om det behövs. (Fig. 19)

Kontrollera dagligen, med fränkopplad maskin, att kontaktelementet och avtryckaren kan röra sig fritt. Använd inte maskinen om kontaktelementet eller avtryckaren kärvar eller fastnar. (Fig. 20)

Smörj maskinen med tryckluftsolja när den inte ska användas under en längre tid och förvara den på en säker plats. Förvara det inte i direkt solljus och/eller i fuktigt eller varmt utrymme. (Fig. 21 och 22)

Underhåll av kompressor, luftfilter/ dimsmörjning och tryckluftslang

Töm alltid kompressortank och luftfilter efter användning.

Fukt som kommer in i maskinen kan leda till sämre prestanda eller fel på maskinen. (Fig. 23 och 24)

Kontrollera regelbundet att det finns tillräckligt med tryckluftsolja i dimsmörjningen. Om smörjningen inte är tillräcklig förslits O-ringarna snabbt. (Fig. 25)

Utsätt inte tryckluftslangen för värme (över 60 °C, över 140 °F) eller kemikalier (tinner, starka syror eller baser). Se också till att slangen löper fritt under arbetet och inte riskerar att fastna vilket kan resultera i att risksituationer uppstår. Dra också slangen så att den inte riskerar att skadas på skarpa kanter och annat som ger ökad förslitning. (Fig. 26)

För att upprätthålla produktens SÄKERHET och TILLFÖRLITLIGHET bör allt underhålls- och justeringsarbete utföras av ett auktoriserat Makita servicecenter och med reservdelar från Makita.

TILLBEHÖR

FÖRSIKTIGT!

- Följande tillbehör och tillsatser rekommenderas för användning tillsammans med den Makita-maskin som denna bruksanvisning avser. Om andra tillbehör eller tillsatser används kan det uppstå risk för personskador. Använd endast tillbehören eller tillsatserna för de syften de är avsedda.

Kontakta ditt lokala Makita servicecenter om du behöver ytterligare information om dessa tillbehör.

- Spikar
- Tryckluftslangar
- Skyddsglasögon

NORSK

Oversiktsforklaring

- | | | |
|---------------------------|---------------------------|---------------------|
| 1. Vernebriller | 7. Frontadapter | 13. Kontakt-overdel |
| 2. Ansiktsmaske | 8. Oppbevaringsplass | 14. Kontaktarm |
| 3. Pneumatisk verktøyolje | 9. Luftfitting | 15. Tappekran |
| 4. Justeringshjul | 10. Luftstøpsel | 16. Luftfilter |
| 5. Bøyle | 11. Deksel for utløpsluft | 17. Smøreanordning |
| 6. Fremspring | 12. Klemme | 18. Pneumatisk olje |

TEKNISKE DATA

Modell	AF505
Luftrykk	0,39 - 0,78 Mpa (3,9 - 7,8 bar)
Spikerlengde	15 mm - 50 mm
Spikerkapasitet	100 stk.
Mål (L x H x B)	260 mm x 64 mm x 237 mm
Minste slangediameter	6,5 mm
Nettovekt	1,4 kg

Symboler

END106-1

Nedenfor ser du symbolene som brukes for dette utstyret. Forviss deg om at du forstår hva de betyr, før du begynner å bruke maskinen.



..... Les bruksanvisningen.



..... Bruk vernebriller.



..... Må ikke brukes på stillas eller stiger.

VIKTIGE SIKKERHETSINSTRUKSJONER

ENB100-2

ADVARSEL: NÅR DU BRUKER DETTE VERKTØYET MÅ DU ALLTID FØLGE DE GRUNNLEGGENDE SIKKERHETSINSTRUKSJONENE. DETTE VIL REDUSERE FAREN FOR HELSESKADER, INKLUSIVE FØLGENDE:

LES ALLE INSTRUKSJONENE.

- Av hensyn til din personlige sikkerhet og riktig drift og vedlikehold av verktøyet, må du lese denne brukerhåndboken før du begynner å bruke verktøyet.
- Bruk alltid vernebriller for å beskytte øynene dine mot skader forårsaket av støv eller spiker.

ADVARSEL:

- Det er arbeidsgivers ansvar å påse at verktøyoperatørene og alle andre personer i arbeidsområdets umiddelbare omgivelser bruker vernebriller.

Kun for Australia og New Zealand

Bruk alltid vernebriller og ansiktsmaske for å beskytte øynene dine mot skader forårsaket av støv eller spiker. Vernebrillene og ansiktsmasken bør være kompatible med kravene i AS/NZS 1336.

ADVARSEL:

Det er arbeidsgivers ansvar å påse at verktøyoperatørene og alle andre personer i arbeidsområdets umiddelbare omgivelser bruker vernebriller. (Fig. 1)

- Bruk hørselvern for å beskytte hørselen din mot støv fra luftutløpet, og som hodebeskyttelse. Bruk også lette, men ikke løse klær. Ermer må være kneppet eller rullet opp. Ikke bruk slips.
- Det kan være farlig å forhaste seg i arbeidet, eller å bruke makt på verktøyet. Verktøyet må behandles forsiktig. Ikke bruk verktøyet hvis du har drukket

- alkohol eller er under påvirkning av legemidler, narkotiske stoffer e.l.
- Generelle retningslinjer for håndtering av verktøyet:
 - (1) Gå alltid ut fra at verktøyet inneholder spikere.
 - (2) Ikke rett verktøyet mot deg selv eller andre, enten det inneholder spikere eller ikke.
 - (3) Ikke aktiver verktøyet med mindre det er plassert godt mot arbeidsstykket.
 - (4) Respekter verktøyet som arbeidsutstyr.
 - (5) Ikke driv med ablegøyer i nærheten av verktøyet.
 - (6) Ikke hold eller bær verktøyet med en finger på avtrekkeren.
 - (7) Ikke lad verktøyet med spikere mens noen av driftskontrollene er aktivert.
 - (8) Ikke bruk verktøyet med noen annen strømkilde enn den som er spesifisert i verktøyets drifts-/ sikkerhetsinstruksjoner.
 - Et verktøy som ikke fungerer helt som det skal, må ikke brukes.
 - Når verktøyet brukes, kan det av og til fly gnister. Ikke bruk verktøyet i nærheten av flyktige, brennbare materialer som f.eks. bensin, tynner, maling, gass, lim osv. Disse vil antennes og eksplodere, og dermed forårsake alvorlige helseskader.
 - Området må være tilstrekkelig opplyst til at det er trygt å bruke verktøyet. Området må være ryddig og fritt for rusk og rask. Vær spesielt påpasselig med å finne godt foffeste og god balanse.
 - Bare de som er involvert i arbeidet må være i nærheten. Det er særlig viktig at barn holdes unna til enhver tid.
 - Det er mulig at lokale bestemmelser om støybegrensning krever at støynivået må holdes innen visse grenser. I visse tilfeller må det brukes lemmer for å dempe lyden.
 - Ikke lek med kontaktelelementet: Det forhindrer utilsiktet avfiring, så det må forbli på og ikke fjernes. Å låse avtrekkeren i ON-stilling er også meget farlig. Forsøk aldri å låse avtrekkeren. Ikke bruk et verktøy hvis noen av driftskontrollene er ute av funksjon, frakoblet, modifisert eller ikke virker som de skal.
 - Bruk verktøyet innenfor det spesifiserte lufttrykket på 0,39 - 0,78 MPa (3,9 - 7,8 bar) av hensyn til sikkerheten og for at verktøyet skal vare lenger. Ikke overskrid det anbefalte maksimale driftslufttrykket på 0,78 MPa (7,8 bar). Verktøyet må ikke kobles til en kilde med et trykk som potensielt overskrider 1,37 MPa (13,7 bar).
 - Pass på at trykket som leveres av trykkluftsystemet ikke overskrider det maksimalt tillatte trykket for spikerpistolen. Til å begynne med må du stille inn lufttrykket på den laveste verdien for det anbefalte tillatte trykket (se TEKNISKE DATA).
 - Verktøyet må aldri brukes med noe annet enn trykkluft. Hvis komprimert gass på flaske (karbondioksid, oksygen, nitrogen, hydrogen, luft osv.) eller eksplosive gasser (hydrogen, propan, acetylen osv.) brukes som kraftkilde for dette verktøyet, vil det eksplodere og forårsake alvorlige helseskader.
 - Kontroller alltid at verktøyet er i generelt god stand og ikke har noen løse skruer, før du begynner å bruke det. Trekk til evt. skruer, om nødvendig.
 - Pass på at alle sikkerhetssystemene fungerer som de skal før du tar verktøyet i bruk. Verktøyet må ikke starte hvis bare avtrekkeren trekkes, eller hvis bare kontaktelelementet presses mot treet. Den må fungere kun når begge disse tingene gjøres samtidig. Test om verktøyet eventuelt ikke virker som det skal, mens det er tomt for spiker.
 - Kontroller vegger, tak, gulv osv. grundig for å unngå mulige elektriske støt, gasslekkasjer, eksplosjoner osv. som kan forårsakes av å treffe strømførende ledninger, rør eller gassledninger med spikerne.
 - Bruk kun spikere som angitt i denne håndboken. Hvis det brukes andre spikere, kan verktøyet slutte å fungere som det skal.
 - Bruk aldri spikerpistoler merket med symbolet "Må ikke brukes på stillas eller stiger" til visse formål, for eksempel:
 - Når du skifter fra et arbeidsstid til et annet, og dette krever at du bruker stillas, trapper, stiger eller stigeliknende konstruksjoner, f.eks. taktrinn.
 - Når du lukker bokser eller kasser.
 - Når du fester transportsikringsystemer, f.eks. på biler eller vogner.
 - Ikke la noen bruke verktøyet som ikke har gjennomgått opplæring i bruken av det.
 - Pass på at ingen er i nærheten, før du begynner å spikre. Forsøk aldri å spikre både fra innsiden og utsiden på én gang. Spikerne kan gå gjennom og/eller rikosjettere, og utgjøre en alvorlig helsefare.
 - Se hvor du går og hold balansen med verktøyet. Pass på at ingen befinner seg under deg når du jobber på høye steder, og sikre luftslangen så det ikke plutselig oppstår en farlig situasjon fordi noen rykker i slangen eller den setter seg fast.
 - På toppen av tak og på andre høye steder må du spikre etter hvert som du beveger deg forover. Det er lett å miste balansen hvis du spikrer mens du beveger deg bakover. Når du spikrer mot en vinkelrett overflate, må du spikre ovenfra og ned. Du blir mindre sliten av spikringen hvis du gjør det på denne måten.
 - En spiker kan bli bøyd, eller verktøyet kan låse seg hvis du ved en feil spikrer på toppen av en annen spiker, eller treffer en kvist i treet. Spikeren kan rikosjettere og treffe noen, eller verktøyet selv kan reagere på en farlig måte. Plasser spikerne med omhu.
 - Ikke la et ladet verktøy eller en luftkompressor under trykk ligge lengre tid av gangen ute i solen. Forviss deg om at støv, sand, trebitar og fremmedlegemer ikke kommer inn i verktøyet der hvor du plasserer det.
 - Ikke pek med munningen på noen i nærheten. Hold hender og føtter unna munningsområdet.
 - Når luftslangen er tilkoblet, må du ikke bære verktøyet med fingeren på avtrekkeren, eller gi det til noen på denne måten. Utilsiktet avfiring av en spiker kan være uhyre farlig.
 - Hånder verktøyet forsiktig. Det inneholder høyt trykk som kan være farlig hvis det oppstår en sprekk i verktøyet på grunn av ruff håndtering (fall eller slag). Ikke forsøk å skrape eller inngrave noe i verktøyet.
 - Hvis du merker at noe er galt eller uvanlig med verktøyet, må du omgående holde opp å spikre.
 - Koble alltid fra luftslangen og fjern alle spikerne:
 - (1) når du forlater verktøyet

- (2) før vedlikehold eller reparasjon av verktøyet
Spikerfrekvens (antall/minutt)
- (3) før en fastkjørt spiker skal tas ut
- (4) før verktøyet skal flyttes til et annet sted
- Rengjøring og vedlikehold må utføres rett etter at jobben er avsluttet. Hold verktøyet i tipp topp stand. Smør bevegelige deler for å hindre at de ruste og for å minimalisere slitasje som skyldes friksjon. Tørk alt støv av delene.
- Ikke bruk dette verktøyet hvis det ikke er utstyrt med en leselig ADVARSELSETIKETT.
- Ikke foreta endringer av verktøyet uten godkjenning fra Makita.
- Spør Makitas autoriserte servicesentre om periodisk inspeksjon av verktøyet.
- For å opprettholde produktets SIKKERHET og PÅLITELIGHET, må vedlikehold og reparasjoner utføres av Makitas autoriserte servicesentre, og det må alltid brukes reservedeler fra Makita.
- Bruk bare den pneumatiske verktøyoljen som er angitt i denne håndboken.
- Verktøyet må aldri kobles til en trykkluftforsyning som ikke kan overskride det maksimalt tillatte verktøytrykket med 10 %. Pass på at trykket som leveres av trykkluftsystemet ikke overskrider det maksimalt tillatte trykket for spikerpistolen. Til å begynne med må du stille inn lufttrykket på den laveste verdien for det anbefalte tillatte trykket.
- Ikke prøv å holde avtrekkeren eller kontaktelemetet trykket med tape eller wire. Dette medfører livsfare!
- Kontroller alltid kontaktelemetet som angitt i denne håndboken. Spikere kan avfyres ved et ulykkestilfelle hvis sikkerhetsmekanismen ikke virker som den skal.

mer enn 60 l/min.

Trykkregulatorer må brukes til å begrense lufttrykket til verktøyets merketrykk, der hvor luftforsyningens trykk overskrider verktøyets merketrykk. Gjøres dette ikke, kan følgende bli alvorlige skader på verktøyoperatøren eller personer i nærheten.

Velge luftslange (Fig. 2)

- Bruk en luftslange som er så stor og så kort som mulig for å sikre kontinuerlig, effektiv spikring. Med et lufttrykk på 0,49 MPa (4,9 bar), anbefales det en luftslange med en indre diameter på mer enn 6,5 mm (1/4 tomme) og en lengde på mindre enn 20 m (6,6 fot) når intervallet mellom spikerne er 0,5 sekunder. Luftforsyningsslanger må ha et minste merkearbeidstrykk på 1,03 MPa (10,3 bar) eller 150 prosent av det maksimale trykket som produseres i systemet, avhengig av hvilken verdi som er størst.

FORSIKTIG:

- Liten luftmengde ut av kompressoren, eller en lang slange eller en mindre slangediameter i forhold til spikerfrekvensen, kan forårsake en reduksjon i verktøyets spikringskapasitet.

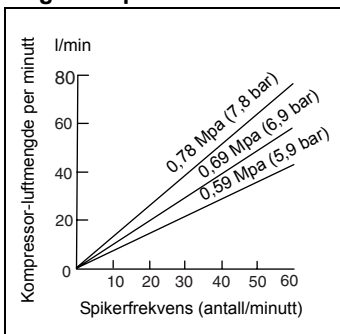
Smøring (Fig. 3 og 4)

For å sikre maksimal ytelse bør du installere et luftsett (smøreanordning, regulator, luftfilter) så nært verktøyet som mulig. Juster smøreanordningen slik at en dråpe olje vil bli avgitt for hver 50. spiker. Når det ikke brukes et luftsett, må du olje verktøyet med den pneumatiske verktøyoljen ved å påføre luftfittingen 2 (to) eller 3 (tre) dråper. Dette bør gjøres før og etter bruk. For at smøringen skal få best mulig effekt, bør verktøyet avfyres et par ganger etter at den pneumatiske oljen er påført.

TA VARE PÅ DISSE ANVISNINGENE.

MONTERING

Velge kompressor



- Velg en kompressor som kan levere tilstrekkelig trykk og luftmengde til å sikre kostnadseffektiv drift. Grafen viser forholdet mellom spikerfrekvensen, det tilgjengelige trykket og kompressorens luftmengde. Hvis man for eksempel spikrer med en hastighet av ca. 60 spikere i minuttet og et trykk på 0,69 MPa (6,9 bar), er det påkrevet med en kompressor som kan levere

FUNKSJONSBEKRIVELSE

FORSIKTIG:

- Slangen må alltid kobles fra før du justerer eller kontrollerer verktøyets funksjoner.

Justere spikringsdybden (Fig. 5)

For å justere spikringsdybden må du dreie på justeringshjulet. Spikringsdybden er størst når justeringshjulet ikke går lenger i A-retningen, som vist på figuren. Den vil bli mindre når justeringshjulet dreies i B-retningen. Hvis spikerne ikke kan drives langt nok inn, selv om justeringshjulet er dreid til anslag i A-retningen, må du øke lufttrykket. Hvis spikerne drives for langt inn, selv om justeringshjulet er dreid til anslag i B-retningen, må du redusere lufttrykket. Generelt kan det sies at verktøyets levetid vil være lenger hvis verktøyet brukes med lavt lufttrykk og justeringshjulet innstilt på en mindre spikringsdybde.

FORSIKTIG:

- Slangen må alltid kobles fra før du justerer spikringsdybden.

Krok (Fig. 6)

FORSIKTIG:

- Slangen må alltid kobles fra verktøyet.
- Maskinen må aldri henges på kroken høyt over bakken eller på en potensielt ustabil overflate.

Kroken er praktisk å henge opp verktøyet med for kortere tid.

MONTERING

FORSIKTIG:

- Slangen må alltid kobles fra før du utfører noe arbeid på verktøyet.
- Når du legger inn spikere i magasinet, må du legge inn spikere av samme type, størrelse og lengde.

Lade spikerpistolen

Trykk på hendelen og hold den trykket mens du åpner skyvedøren til magasinet ved å trekke den mot deg. (Fig. 7)

Plasser spikerspissene i sporene i bunnen av magasinet, og skyv alle spikerne mot utskyttingsåpningen. (Fig. 8)
Lukk skyvedøren.

Frontadapter (Fig. 9 og 10)

FORSIKTIG:

- Slangen må alltid kobles fra før du installerer frontadapteren.

For å unngå at overflaten av arbeidsstykket blir skrapet opp eller ødelagt, må du bruke frontadapteren ved å plassere fremspringet på innsiden av frontadapteren i hakket til kontaktarmen.

Frontadapteren må oppbevares på plassen sin når den ikke er i bruk. Oppbevaringsplassen er på begge sider av verktøyet og inne i bærevesken.

Koble til luftslange (Fig. 11)

La luftstøpelet på luftslangen gli inn over luffittingen på spikerpistolen. Forviss deg om at luftstøpelet går i inngrep når det kobles til luffittingen. En slangekupling må installeres på eller nær verktøyet på en slik måte at trykkreservoaret utlades i det øyeblikket lufforsyningens kupling kobles fra.

BRUK

For å drive inn en spiker må du plassere kontaktelelementet mot arbeidsstykket og trekke i avtrekkeren. (Fig. 12)

FORSIKTIG:

- NÅR AVTREKKEREN HOLDES HALVVEIS INNE, kan spikre skytes ut uventet, hvis kontaktelelementet berører arbeidsstykket eller en annen overflate som følger av rekylene.
- For å unngå slik uventet spikring, må du gjøre følgende:
 - A. Ikke sett kontaktelelementet mot arbeidsstykket med overdreven kraft.
 - B. Klem avtrekkeren helt inn og hold den inne i 1-2 sekunder etter spikring.

Retningen til luftutløpet (Fig. 13)

Retningen til luftutløpet kan endres 360 grader med en dreining av utløpsdekslet (med én hånd).

Fjerne spikere

FORSIKTIG:

- Ikke bruk deformerte spikere eller spikerbånd. Hvis du ikke følger denne anvisningen, kan det resultere i dårlig spikermating.

ADVARSEL:

- Slangen må alltid koble fra før du fjerner spikere.

Åpne skyvedøren og fjern spikere fra magasinet. (Fig. 14)

La skyvedøren være åpen, og ta ut spikerne.

Hvis du fjerner kontakt-overdelen blir det lettere å ta ut spikerne. Når du setter kontakt-overdelen på plass igjen, må du sette fremspringet til kontakt-overdelen inn i hakket i kontaktarmen. (Fig. 15 og 16)

Spikere

Spikercoiler og boksen deres må håndteres forsiktig. Hvis spikercoilene har vært utsatt for røff behandling, kan de komme ut av stilling, eller kontakten deres kan brette, noe som gir dårlig spikermating. (Fig. 17)

Unngå å lagre spiker på et veldig fuktig eller varmt sted, eller et sted som er utsatt for direkte sollys. (Fig. 18)

VEDLIKEHOLD

FORSIKTIG:

- Slangen må alltid kobles fra før du utfører inspeksjoner eller vedlikehold.

Vedlikehold av spikerpistolen

Kontroller alltid at verktøyet er i generelt god stand og ikke har noen løse skruer, før du begynner å bruke det. Trekk til evt. skruer, om nødvendig. (Fig. 19)

Foreta den daglige inspeksjonen av verktøyet mens verktøyet er frakoblet. Forviss deg om at kontaktelelementet og avtrekkeren kan bevege seg fritt. Ikke bruk verktøyet hvis kontaktelelementet eller avtrekkeren gjør motstand eller beveger seg tregt. (Fig. 20)

Når verktøyet ikke skal brukes på lengre tid, må du smøre det med pneumatisk verktøyolje og lagre det på et trygt sted. Unngå å utsette det for direkte sollys og/eller fuktige eller varme omgivelser. (Fig. 21 og 22)

Vedlikehold av kompressoren, luftsettet og luftslangen

Etter bruk må kompressortanken og luftfilteret alltid tømmes. Hvis det kommer fuktighet inn i verktøyet, kan det resultere i dårlig ytelse og mulig verktøydefekt. (Fig. 23 og 24)

Kontroller jevnlig for å se om det er tilstrekkelig med pneumatisk olje i smøreanordningen til luftsettet. Hvis verktøyet ikke tilføres tilstrekkelig med smøreolje, vil øringene fort bli slitt. (Fig. 25)

Hold luftslangen unna varme (mer enn 60 °C, mer enn 140 °F) og kjemikalier (tynner, sterke syrer eller baser). Du må også legge slangen utenom hindringer som den kan komme til å sette seg fast i under drift, noe som kan være farlig. Slinger må også legges utenom skarpe kanter og områder hvor de kan bli skadet eller slitt. (Fig. 26)

For å opprettholde produktets SIKKERHET og PÅLITELIGHET, må reparasjoner, vedlikehold og justeringer utføres av Makitas autoriserte servicesentre, og det må alltid brukes reservedeler fra Makita.

TILBEHØR

FORSIKTIG:

- Det anbefales at du bruker dette tilbehøret eller verktøyet sammen med den Makita-maskinen som er spesifisert i denne håndboken. Bruk av annet tilbehør eller verktøy kan forårsake helseskader. Tilbehør og verktøy må kun brukes til det formålet det er beregnet på.

Ta kontakt med ditt lokale Makita-servicesenter hvis du trenger mer informasjon om dette tilbehøret.

- Spikere
- Luftslanger
- Vernebriller

Yleiskuvas

- | | | |
|--|----------------------------|--------------------|
| 1. Suojalasit | 7. Sovite | 13. Varmistinpää |
| 2. Kasvosuojus | 8. Säilytyspaikka | 14. Varmistinvarsi |
| 3. Paineilmalaitteeseen tarkoitettu koneöljy | 9. Paineilmaliitin | 15. Tyhjennyshana |
| 4. Säädin | 10. Letkuliitin | 16. Ilmansuodatin |
| 5. Pidike | 11. Ilmanpoistoaukon kansi | 17. Voitelulaite |
| 6. Uloke | 12. Salpa | 18. Voiteluöljy |

TEKNISET TIEDOT

Malli	AF505
Ilmanpaine	0,39–0,78 MPa (3,9–7,8 bar)
Naulan pituus	15–50 mm
Naulamäärä	100 kpl
Mität (P x K x L)	260 mm x 64 mm x 237 mm
Letkun pienin läpimitta	6,5 mm
Nettopaino	1,4 kg

Merkkien selitykset END106-1
 Laitteessa on käytetty seuraavia symboleja. Varmista ennen käyttöä, että ymmärrät niiden merkityksen.



..... Lue käyttöohje.



..... Käytä suojalaseja.



..... Älä käytä telineillä, tikkailla.

TÄRKEITÄ TURVAOHJEITA ENB100-2

VAROITUS: NAULAINTA KÄYTETTÄESSÄ ON LOUKKAANTUMISVAARAN VÄHENTÄMISEKSI AINA NOUDATETTAVA MUUN MUASSA SEURAAVIA TURVAOHJEITA:

TUTUSTU KAIKKIIN OHJEISIIN.

- Lue tämä ohjekirja ennen naulaimen käyttöä, jotta osaat käyttää sitä turvallisesti ja oikein ja pitää sen kunnossa.
- Suojaa silmät pölyltä tai naulojen mahdollisesti aiheuttamilta vammoilta käyttämällä aina suojalaseja.

VAROITUS:

- Työnantajan velvollisuuksiin kuuluu valvoa, että työkalun käyttäjät ja muut työskentelyalueen välittömässä läheisyydessä olevat käyttävät suojalaseja.

Australia ja Uusi-Seelanti:

Suojaa silmät pölyltä tai naulojen mahdollisesti aiheuttamilta vammoilta käyttämällä aina suojalaseja. Suojalasi ja kasvosuojuksen on täytettävä AS/NZS 1336 -standardin vaatimukset.

VAROITUS:

Työnantajan velvollisuuksiin kuuluu valvoa, että työkalun käyttäjät ja muut työskentelyalueen välittömässä läheisyydessä olevat käyttävät suojalaseja. **(kuva 1)**

- Käytä kuulosuojaimia ja suojaa pää. Käytä kevyttä, vartalonmyötäistä vaatekangasta. Hihat on napitettava tai käärittävä ylös. Älä käytä solmiota.
- Hosuminen ja tarpeeton voiman käyttö on vaaraksi. Käsittele työkalua varoen. Älä työskentele alkoholin, lääkkeiden tms. vaikutuksen alaisena.
- Yleiset työkalun käyttöä koskevat ohjeet:
 - (1) Toimi aina ikään kuin laite olisi ladattu nauloilla.
 - (2) Älä osoita naulaimella itseäsi tai muita riippumatta siitä, onko se ladattu vai ei.

- (3) Älä laukaise naulainta ennen kuin se on asetettu tiukasti työkalpaletta vasten.
 - (4) Suhtaudu työkaluun sen edellyttämällä varovaisuudella.
 - (5) Älä leiki työkalulla.
 - (6) Älä pidä tai kanna työkalua sormi liipaisimella.
 - (7) Älä lataa konetta nauiloilla, jos jokin hallintalaitteista on päällä.
 - (8) Käytä työkalussa vain sen käyttö-/turvaohjeissa mainittuja voimanlähteitä.
- Älä käytä puutteellisesti toimivaa konetta.
 - Työkalu saattaa aiheuttaa kipinöitä. Älä käytä työkalua haihtuvien tai syttyvien materiaalien kuten bensiinin, tinnerin, maalin, kaasun, liimojen tms. läheisyydessä. Ne saattavat syttyä ja räjähtää ja aiheuttaa vakavia vammoja.
 - Työkohteen on oltava riittävästi valaistu, jotta työskentely olisi turvallista. Alueen on oltava siisti ja puhdas roskista. Varmista erityisesti tukeva jalansija ja hyvä tasapaino.
 - Vain työhön osallistuvat saavat olla työskentelyalueella. Varsinkin lapset on aina pidettävä loitolla.
 - Melutasoa koskevia mahdollisia paikallisia määräyksiä on noudatettava. Tarvittaessa melua on rajoitettava melusteilla.
 - Älä leiki karkkivarmistimella: se estää tahattoman laukaisun, joten se on pidettävä paikoillaan eikä sitä saa irrottaa. Liipaisimen lukitseminen ON-asentoon on myös hyvin vaarallista. Älä koskaan yritä lukita liipaisinta. Älä käytä työkalua, jos jokin sen hallintalaitteista ei toimi tai on kytketty irti tai niihin on tehty muutoksia tai ne eivät toimi moitteettomasti.
 - Käytä työkalua aina valmistajan ilmoittamalla ilmanpaineella 0,39–0,83 MPa (3,9–8,3 bar), jolloin käyttö on turvallista ja laite kestää pitkään. Älä ylitä suurinta sallittua käyttöpainetta 0,78 MPa (7,8 bar). Työkalua ei saa kytkeä järjestelmään, jonka paine voi ylittää 1,37 MPa (13,7 bar).
 - Varmista, että paineilmajärjestelmän tuottama paine ei ylitä naulainen suurinta sallittua käyttöpainetta. Aseta ilmanpaine aluksi pienemmäksi kuin suositusten mukainen suurin sallittu ilmanpaine (katso TEKNISET TIEDOT).
 - Älä koskaan käytä työkalun voimanlähteenä muuta kuin paineilmaa. Jos työkalun voimanlähteenä käytetään pulloitettua kaasua (hiilidioksidia, happea, typpeä, vetyä, ilmaa tms.) tai palavaa kaasua (vetyä, propaania, asetyleeniä tms.), laite räjähtää ja aiheuttaa vakavia vammoja.
 - Tarkista työkalun kunto ja ruuvien kireys aina ennen työn aloittamista. Kiristä tarvittaessa.
 - Varmista ennen käyttöä, että kaikki turvalaitteet toimivat. Työkalu ei saa laueta pelkällä liipaisimen painalluksella tai pelkästään siitä, että karkkivarmistin painetaan puuta vasten. Naulain saa laueta vain silloin, kun tehdään molemmat toimet. Jos epäilet työkalussa vikaa, tarkista sen toiminta ilman nauloja.
 - Tarkista seinät, katot, lattiat, kattorakenteet ja vastaavat kohteet huolellisesti niin, että voit välttää mahdolliset sähköiskut, kaasuvuodot, räjähdykset yms., joita voi syntyä, jos osut sähköjohtoon, kanaviin tai kaasuputkeen.
 - Käytä vain tässä ohjekirjassa ilmoitettuja nauloja. Muunlaiset naulat voivat aiheuttaa käyttöhäiriöitä.
 - Älä koskaan käytä naulainta seuraavanlaisiin erikoistoihin, joita koskee merkintä "Älä käytä telineillä, tikkailla":
 - jos paikan vaihtaminen edellyttää telineiden, portaiden, tikkaiden tai vastaavien rakennelmien kuten kattorimoituksen käyttöä
 - laatikoiden tai häkkien sulkemista
 - kuljetuksenaikaisten turvalaitteiden kiinnittämistä esim. ajoneuvoihin tai vaunuihin.
 - Älä anna tottumattomien käyttää työkalua.
 - Varmista ennen naulausta, ettei lähistöllä ole ketään. Älä koskaan yritä naukata sekä sisä- että ulkopuolelta samaan aikaan. Naulat voivat tunkeutua läpi ja/tai kimmota ja aiheuttaa vakavia vaaratilanteita.
 - Varmista tukeva jalansija ja hyvä tasapaino. Kun työskentelet korkealla, varmista, ettei alapuolella ole ketään. Kiinnitä paineilmaletku niin, ettei sen nykäisy tai tarkentuminen aiheuta vaaraa.
 - Katoilla ja muissa korkealla sijaitseissa kohteissa naulaussuunta on eteenpäin. Jos naulatessa siirrytään takaperin, jalka voi helposti lipsahtaa. Kun naulaat kohtisuoraa pintaa vasten, aloita ylhäältä ja etene alaspäin. Näin naulaaminen väsyttää vähemmän.
 - Jos naulaat vahingossa toisen naulain päälle tai osut puun oksankohtaan, naula väntyy tai naulain voi jäädä jumiin. Naula voi kimmota tai työkalu voi muuten reagoida vaarallisesti. Valitse naulojen paikat huolellisesti.
 - Älä jätä ladattua naulainta tai paineistettua ilmakompressorin pitkäksi aikaa auringonpaisteeseen. Kun lasket työkalun käsistä, varmista, että siihen ei pääse pölyä, hiekkaa, lastuja tai vieraita esineitä.
 - Älä käännä paineilman purkuaukkoa sellaiseen asentoon, että se osoittaa ketään kohti. Huolehdi siitä, että kädet ja jalat eivät tule lähelle purkuaukkoa.
 - Kun paineilmaletku on kytketty, älä kanna tai ojenna naulainta toiselle sormi liipaisimella. Naulaimen tahaton laukeaminen voi olla hyvin vaarallista.
 - Käsittele naulainta varovasti, koska huolimaton käsittely (pudottaminen tai kolhminen) voi aiheuttaa vaaratilanteita laitteen korkean ilmanpaineen vuoksi, jos laitteen vaippa rikkoutuu.
 - Älä tee työkaluun mitään kaiverruksia.
 - Lopeta naulaus välittömästi, jos havaitset koneessa jotakin vikaa tai tavallisesta poikkeavaa.
 - Irrota aina paineilmaletku ja poista kaikki naulat
 - (1) kun jätät työkalun ilman valvontaa.
 - (2) ennen kunnossapito- ja korjaustöitä. Naulausnopeus (naula/min)
 - (3) ennen tukoksen selvittämistä.
 - (4) ennen työkalun viemistä uuteen paikkaan.
 - Puhdista ja huolla työkalu heti työn jälkeen. Pidä naulain moitteettomassa kunnossa. Ehkäise ruostumista ja kitkasta johtuvaa kulumista voitelemalla liikkuvat osat. Pyyhi osista kaikki pöly.
 - Älä käytä työkalua, jos siinä ei ole selvästi luettavaa VAROITUSTARRAA.
 - Älä tee koneeseen muutoksia ilman Makitan lupaa.
 - Huollata kone säännöllisesti Makitan valtuuttamassa huoltoiliikkeessä.

- Tuotteen TURVALLISUUDEN ja LUOTETTAVUUDEN takaamiseksi kunnossapito ja korjaukset on teetettävä Makitan valtuutetussa huoltopisteessä Makitan varaosia käyttäen.
- Käytä vain tässä ohjekirjassa ilmoitettua, paineilmalaitteisiin tarkoitettua koneöljyä.
- Älä kytkä työkalua paineilmalinjaan, joka ei mahdollista työkalun suurimman sallitun paineen ylitystä 10 %:lla. Varmista, että paineilmajärjestelmän tuottama paine ei ylitä naulaimen suurinta sallittua painetta. Aseta ilmanpaine aluksi pienemmäksi kuin suositusten mukainen suurin sallittu ilmanpaine.
- Älä yritä lukita kärkivarmistinta teipillä tai rautalangalla. Seurauksena voi olla kuolema tai vakava vammautuminen.
- Tarkista kärkivarmistin tässä ohjekirjassa neuvotulla tavalla. Naulain saattaa laueta vahingossa, jos turvamekanismi ei toimi moitteetta.

HUOMAUTUS:

- Naulausnopeuteen nähden pieni kompressorin ilmantuotto ja pitkä tai halkaisijaltaan pieni ilmaletku voi heikentää koneen naulaustehoa.

Voitelu (kuva 3 & 4)

Jotta naulain toimisi tehokkaasti, asenna ilmasarja (voitelulaite, paineensäädin ja ilma-suodatin) mahdollisimman lähelle laitetta. Säädä voitelulaite niin, että se syöttää yhden öljypisaran 50 naulaa kohti. Jos ilmasarjaa ei käytetä, voitele kone paineilmalaitteisiin tarkoitettulla öljyllä tiputtamalla ilmaletkun liittimeen 2–3 pisaraa öljyä. Tee näin ennen käyttöä ja sen jälkeen. Tehokkaan voitelun varmistamiseksi naulaimella pitää ampua muutama kerta öljyämisestä jälkeen.

TOIMINTAKUVAUS

HUOMAUTUS:

- Irrota paineletku aina ennen kuin teet säätöjä tai tarkistat naulaimen toimintoja.

Naulaussyvytyden säätö (kuva 5)

Naulaussyvyys säädetään kääntämällä säädintä. Naulaussyvyys on suurimmillaan, kun säädin käännetään ääri asentoon suunnassa A. Naulaussyvyttä pienennetään kääntämällä säädintä suuntaan B. Lisää ilmanpainetta, jos naula ei uppoa tarpeeksi syväälle, vaikka säädin on käännetty täysin suuntaan A. Vähennä ilmanpainetta, jos naula uppoaa liian syväälle, vaikka säädin on käännetty täysin suuntaan B. Yleisesti voidaan todeta, että koneen käyttöikä on sitä pidempi, mitä alemmaa ilmanpainetta ja pienempää naulaussyvyttä käytetään.

HUOMAUTUS:

- Irrota paineilmaletku aina ennen naulaussyvytyden säätämistä.

Pidike (kuva 6)

HUOMAUTUS:

- Irrota aina paineilmaletku naulaimesta.
- Älä koskaan ripusta työkalua korkealle tai jätä sitä epävakaa alustalle.

Naulain voidaan tarvittaessa ripustaa väliaikaisesti pidikkeestä.

KOKOONPANO

HUOMAUTUS:

- Irrota letku aina ennen kuin teet naulaimelle mitään.
- Lataa naulaimen lipas aina samanlaisilla, samankokoisilla ja -pituisilla nauloilla.

Naulaimen lataaminen

Paina vipua ja avaa lipaan liukukansi vetämällä sitä itseäsi kohti vipu alhaalla. (kuva 7)

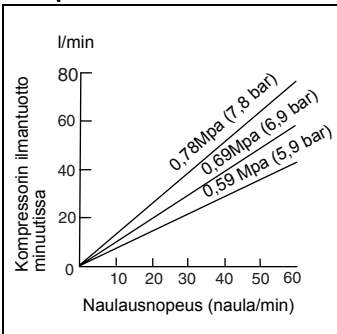
Kohdista naulojen kärjet lipaan pohjassa oleviin uriin ja työnnä naulasettiä ampuma-aukkoa kohti. (kuva 8)

Sulje liukukansi.

SÄILYTÄ NÄMÄ OHJEET.

ASENNUS

Kompressorin valinta



- Varmista kustannustehokas työskentely valitsemalla kompressorin, jossa on riittävä paine- ja ilmantuotto. Naulausnopeuden, käytettävän paineen ja kompressorin ilmantuoton välinen riippuvuus ilmenee taulukosta. Jos naulausnopeus on esimerkiksi noin 60 naulaa minuutissa ja paine 0,69 MPa (6,9 bar), tarvitaan kompressorin, jonka ilmantuotto on yli 60 l/min. On käytettävä paineensäätimiä, jotka rajoittavat ilmanpaineen nimellispaineeseen, jos tulopaine ylittää sen. Säätimien puuttuminen aiheuttaa vakavan vammautumisriskin käyttäjälle ja lähistöllä oleville.

Paineilmaletkun valinta (kuva 2)

- Käytä läpimitaltaan mahdollisimman suurta ja lyhyttä paineilmaletkua, jotta naulaus olisi jatkuvaa ja tehokasta. Jos paine on 0,49 MPa (4,9 bar), suositellaan sisähalkaisijaltaan yli 6,5 mm (1/4") ja pituudeltaan alle 20 metrin ilmaletkua, kun naulausnopeus on 0,5 sekuntia/naula. Paineilmaletkujen nimellisyöpaineen on oltava vähintään 1,03 MPa (10,3 bar) tai 150 % järjestelmän tuottamasta enimmäispaineesta sen mukaan, kumpi on korkeampi.

Sovitin (kuvat 9 ja 10)

HUOMAUTUS:

- Irrota aina paineilemätaku naulaimesta ennen sovittimen kiinnitystä.

Estä työpintojen naarmuuntuminen asettamalla sovittimen sisäpuolen uloke varmistinvarren loveen.

Aste sovitin säilytyspaikkaansa silloin, kun sitä ei käytetä. Voit säilyttää sovitinta kiinnittämällä se työkalun kummalle sivulle tahansa tai kantokassissa.

Paineilemätakun kiinnitys (kuva 11)

Työnnä paineilemätakun liitin naulaimen ilma-aukon liittimeen. Varmista, että letkun hylsy lukittuu tiukasti ilma-aukon liittimeen. Työkaluun tai sen lähelle on asennettava letkuliitin siten, että paine pääsee purkautumaan, kun paineilman syöttöliitin irrotetaan.

KÄYTTÖ

Naulatessa aseta kärkevarmistin työkaluun vasten ja paina liipaisinta. (kuva 12)

HUOMAUTUS:

- JOS LIIPAISIN ON PUOLIKSI PAINETTUNA, naulain voi laueta yllättäen, jos kärkevarmistin osuu uudelleen työkaluun tai muuhun pintaan rekyyliin vaikutuksesta.
- Voit välttää vahinkolaukaukset seuraavasti:
 - A. Älä paina kärkevarmistinta liian voimakkaasti työkaluun vasten.
 - B. Paina liipaisin pohjaan ja pidä sitä pohjassa 1–2 sekuntia naulan ampumisen jälkeen.

Poistoilman purkusuunta (kuva 13)

Poistoilman purkusuuntaa voidaan säätää 360 astetta kääntämällä kantta käsin.

Naulojen poisto

HUOMAUTUS:

- Älä käytä vääntyneitä nauloja tai naulasettejä. Ne voivat aiheuttaa syöttöhäiriöitä.

VAROITUS:

- Irrota aina paineilemätaku naulaimesta ennen naulojen poistoa.

Avaa liukukansi ja poista naulat lippaasta. (kuva 14)

Pidä liukukantta auki, avaa luukku ja poista naulat.

Naulat on helppo ottaa pois, jos irrotat varmistinpään. Kun asetat varmistinpään takaisin paikoilleen, sovita varmistimen uloke varmistinvarren loveen. (kuvat 15 ja 16)

Naulat

Käsittele naularullia ja -pakkauksia varovasti. Jos naularullia käsitellään kovakouraisesti, ne voivat vääntyä tai niiden liitokset rikkoutua, mikä aiheuttaa syöttöhäiriöitä. (kuva 17)

Älä säilytä nauloja kosteissa tai kuumissa tiloissa äläkä suorassa auringonvalossa. (kuva 18)

KUNNOSSAPITO

HUOMAUTUS:

- Irrota aina paineilemätaku ennen työkalun tarkastusta tai kunnostusta.

Naulaimen kunnossapito

Tarkista aina ennen työn aloittamista koneen kunto ja ruuvien kireys. Kiristä tarvittaessa. (kuva 19)

Varmista kärkevarmistimen ja liipaisimen vapaa liike päivittäinen paineilemätaku irrotettuna. Älä käytä työkalua, jos kärkevarmistin tai liipaisin juuttuu kiinni tai takertelee. (kuva 20)

Jos työkalua ei käytetä pitkään aikaan, voitele se paineilemälaitteisiin tarkoitettulla koneöljyllä ja säilytä laitetta turvallisessa paikassa. Älä altista työkalua suoralle auringonvalolle tai pidä sitä kosteassa tai kuumassa. (kuvat 21 ja 22)

Kompressorin, ilmasarjan ja paineilemätakun kunnossapito

Tyhjennä kompressorin säiliö ja ilmansuodatin aina käytön jälkeen. Jos työkaluun pääsee kosteutta, seuraauksena voi olla käyttöhäiriöitä tai laitteen rikkoutuminen. (kuvat 23 ja 24)

Tarkista säännöllisesti, että ilmasarjan voitelulaitteessa on riittävästi öljyä. Riittämätön voitelu kuluttaa O-renkaita. (kuva 25)

Suojaa paineilemätaku kuumuudelta (yli 60 °C) ja kemikaaleilta (tinneri, väkevät hapot ja emäkset). Vedä letku ohi esteiden, joihin se voi tarttua naulauksen aikana vaarallisella tavalla. Letkua vedettäessä on kierrettävä terävät kulmat ja paikat, joissa letku on vaarassa rikkoutua tai hankautua. (kuva 26)

Tuotteen TURVALLISUUDEN ja LUOTETTAVUUDEN takaamiseksi korjaukset, muut huoltotyöt ja säädöt on teetettävä Makitan valtuutetussa huoltopisteessä Makitan varaosia käyttäen.

LISÄVARUSTEET

HUOMAUTUS:

- Seuraavia lisävarusteita tai laitteita suositellaan käytettäväksi tässä ohjeessa kuvatun Makita-työkalun kanssa. Muiden lisävarusteiden tai laitteiden käyttö voi aiheuttaa henkilövahinkoja. Käytä lisävarustetta tai laitetta vain ilmoitettuun käyttötarkoitukseen.

Jos tarvitset lisätietoja varusteista, ota yhteyttä Makitan paikalliseen huoltopisteeseen.

- Naulat
- Paineilemätaku
- Suojalasit

ΕΛΛΗΝΙΚΑ

Περιγραφή γενικής όψης

- | | | |
|---------------------------------------|-------------------------|--|
| 1. Γυαλιά προστασίας | 7. Προσαρμογέας μύτης | 14. Βραχιόνια επαφής |
| 2. Προσωπίδα | 8. Χώρος για αποθήκευση | 15. Κρουνός αποστράγγισης |
| 3. Λάδι για εργαλεία πεπιεσμένου αέρα | 9. Προσάρτημα αέρα | 16. Φίλτρο αέρα |
| 4. Ρυθμιστής | 10. Υποδοχή αέρα | 17. Λιπαντήρας |
| 5. Γάντζος | 11. Κάλυμμα εξόδου | 18. Λάδι για εργαλεία πεπιεσμένου αέρα |
| 6. Προεξοχή | 12. Μάνδαλο | |
| | 13. Άνω τμήμα επαφής | |

ΤΕΧΝΙΚΑ ΧΑΡΑΚΤΗΡΙΣΤΙΚΑ

Μοντέλο	AF505
Πίεση αέρα	0,39 - 0,78 Μπα (3,9 - 7,8 bar)
Μήκος καρφιού	15 χιλιοστά - 50 χιλιοστά
Χωρητικότητα καρφίων	100 τεμάχια
Διαστάσεις (Μ Χ Υ Χ Π)	260 χιλιοστά Χ 64 χιλιοστά Χ 237 χιλιοστά
Ελάχιστη διάμετρος σωλήνα	6,5 χιλιοστά
Καθαρό βάρος	1,4 κιλά

Σύμβολα

END106-1

Παρακάτω παρουσιάζονται τα σύμβολα που χρησιμοποιούνται για τον εξοπλισμό. Βεβαιωθείτε ότι κατανοείτε τη σημασία τους πριν από τη χρήση.



..... Διαβάστε το εγχειρίδιο οδηγιών.



..... Να φοράτε γυαλιά προστασίας.



..... Μη χρησιμοποιείται σε σκαλωσιές ή σκάλες.

ΣΗΜΑΝΤΙΚΕΣ ΟΔΗΓΙΕΣ ΑΣΦΑΛΕΙΑΣ

ENB100-2

ΠΡΟΕΙΔΟΠΟΙΗΣΗ: ΟΤΑΝ ΧΡΗΣΙΜΟΠΟΙΕΙΤΕ ΑΥΤΟ ΤΟ ΕΡΓΑΛΕΙΟ, ΠΑΝΤΟΤΕ ΠΡΕΠΕΙ ΝΑ ΑΚΟΛΟΥΘΕΙΤΕ ΟΛΕΣ ΤΙΣ ΒΑΣΙΚΕΣ ΠΡΟΦΥΛΑΞΕΙΣ ΓΙΑ ΤΗΝ ΑΣΦΑΛΕΙΑ ΓΙΑ ΝΑ ΜΕΙΩΣΕΤΕ ΤΟΝ ΚΙΝΔΥΝΟ ΠΡΟΣΩΠΙΚΟΥ ΤΡΑΥΜΑΤΙΣΜΟΥ. ΣΤΙΣ ΠΡΟΦΥΛΑΞΕΙΣ ΠΕΡΙΛΑΜΒΑΝΟΝΤΑΙ ΚΑΙ ΤΑ ΕΞΗΣ:

ΔΙΑΒΑΣΤΕ ΟΛΕΣ ΤΙΣ ΟΔΗΓΙΕΣ.

- Για την προσωπική ασφάλεια και τη σωστή λειτουργία και συντήρηση του εργαλείου, διαβάστε αυτό το εγχειρίδιο οδηγιών πριν χρησιμοποιήσετε το εργαλείο.
- Να φοράτε πάντοτε γυαλιά προστασίας για να προστατεύετε τα μάτια σας από τραυματισμό λόγω σκόνης ή καρφίων.

ΠΡΟΕΙΔΟΠΟΙΗΣΗ:

- Ο εργοδότης έχει την ευθύνη να επιβάλλει τη χρήση προστατευτικού εξοπλισμού για τα μάτια από τους χειριστές του εργαλείου και τα άλλα άτομα που βρίσκονται στην άμεση περιοχή εργασίας.

Για την Αυστραλία και τη Νέα Ζηλανδία μόνο

Να φοράτε πάντοτε γυαλιά προστασίας και προσωπίδα για να προστατεύετε τα μάτια σας από τραυματισμό λόγω σκόνης ή καρφίων. Τα γυαλιά προστασίας και η προσωπίδα θα πρέπει να συμμορφώνονται με τις απαιτήσεις AS/NZS 1336.

ΠΡΟΕΙΔΟΠΟΙΗΣΗ:

Ο εργοδότης έχει την ευθύνη να επιβάλλει τη χρήση προστατευτικού εξοπλισμού για τα μάτια από τους χειριστές του εργαλείου και τα άλλα άτομα που βρίσκονται στην άμεση περιοχή εργασίας. **(Εικ. 1)**

- Να φοράτε ωτοασπίδες για να προστατεύετε τα αυτιά σας από το θόρυβο εξόδου, καθώς και

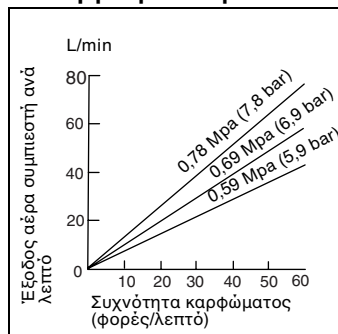
- προστατευτικά κεφαλής. Επίσης, να φοράτε ελαφρά, αλλά όχι φαρδιά ρούχα. Τα μανίκια πρέπει να είναι κουμπωμένα ή ανεβασμένα. Δεν πρέπει να είναι φοράτε γραβάτα.
- Είναι επικίνδυνο να εργάζεστε με βιασύνη ή να ασκείτε δύναμη στο εργαλείο. Να χειρίζεστε το εργαλείο προσεχτικά. Μη θέτετε το εργαλείο σε λειτουργία υπό την επίρροια αλκοόλ, φαρμάκων ή παρόμοιων ουσιών.
 - Γενικές οδηγίες για το χειρισμό του εργαλείου:
 - (1) Να θεωρείτε πάντοτε ότι το εργαλείο περιέχει καρφιά.
 - (2) Μη θρέφετε το εργαλείο προς το μέρος σας ή προς οποιοδήποτε άλλον, ανεξάρτητα αν περιέχει ή όχι καρφιά.
 - (3) Μην ενεργοποιείτε το εργαλείο εκτός αν βρίσκεται τοποθετημένο σταθερά επάνω στο τεμάχιο εργασίας.
 - (4) Να παίρνετε το εργαλείο στα σοβαρά κατά την εκτέλεση της εργασίας.
 - (5) Μην αστειεύεστε με το εργαλείο.
 - (6) Μην κρατάτε και μη μεταφέρετε το εργαλείο με το δάκτυλό σας στη σκανδάλη.
 - (7) Μη γεμίζετε το εργαλείο με καρφιά όταν είναι ενεργοποιημένο κάποιο από τα χειριστήρια λειτουργίας.
 - (8) Μη θέτετε το εργαλείο σε λειτουργία με οποιαδήποτε πηγή ενέργειας εκτός από εκείνη που καθορίζεται στις οδηγίες λειτουργίας/ασφάλειας του εργαλείου.
 - Μη χρησιμοποιείτε κάποιο εργαλείο που δεν λειτουργεί σωστά.
 - Μερικές φορές πετάνονται σπινθήρες κατά τη χρήση του εργαλείου. Μη χρησιμοποιείτε το εργαλείο κοντά σε πηκιά, εύφλεκτα υλικά όπως βενζίνη, νέφτι, μπογιά, γκάζι, κόλλα, κλπ. Θα αναφλεγούν και θα εκραγούν με αποτέλεσμα σοβαρό τραυματισμό.
 - Η περιοχή πρέπει να είναι επαρκώς φωτισμένη για να υπάρχει ασφάλεια στην εργασία. Η περιοχή πρέπει να είναι καθαρή και χωρίς απορρίμματα. Να είστε ιδιαίτερα προσεχτικοί και να στέκεστε σταθερά και ισοροπημένα.
 - Μόνο οι εργαζόμενοι πρέπει να βρίσκονται στην περιοχή εργασίας. Ιδιαίτερα τα παιδιά ποτέ δεν πρέπει να πλησιάζουν.
 - Ενδεχομένως να υπάρχουν τοπικοί κανονισμοί που αφορούν το θόρυβο και στους οποίους πρέπει να συμμορφώνεστε διατηρώντας τη στάθμη θορύβου εντός των προδιαγραφόμενων ορίων. Σε ειδικές περιπτώσεις πρέπει να χρησιμοποιούνται παραπετάσματα για τον περιορισμό του θορύβου.
 - Μην παίζετε με το στοιχείο επαφής: Αυτό εμποδίζει την τυχαία εκφόρτωση. Για το λόγο αυτό, πρέπει να παραμένει πάντοτε στη θέση του και να μην αφαιρείται. Είναι επίσης πολύ επικίνδυνο να ασφαλίσετε τη σκανδάλη στην ανοικτή θέση (ON). Ποτέ μην επιχειρήσετε να ασφαλίσετε τη σκανδάλη. Μη θέσετε το εργαλείο σε λειτουργία αν οποιοδήποτε χειριστήριο είναι χαλασμένο, αποσυνδεδεμένο, τροποποιημένο ή δεν λειτουργεί σωστά.
 - Να θέτετε το εργαλείο σε λειτουργία εντός των καθορισμένων ορίων πίεσης αέρα των 0,39 - 0,78 MPa (3,9 - 7,8 bar) για ασφάλεια και μακρότερη ζωή του εργαλείου. Μη υπερβείτε τη συνιστώμενη μέγιστη πίεση λειτουργίας των 0,78 MPa (7,8 bar). Το εργαλείο δεν πρέπει να συνδέεται σε πηγή της οποίας η πίεση πιθανόν να υπερβαίνει τα 1,37 MPa (13,7 bar).
 - Να βεβαιώνετε ότι η πίεση που παρέχεται από το σύστημα πεπιεσμένου αέρα δεν υπερβαίνει τη μέγιστη επιτρεπόμενη πίεση του καρφωτικού πιστολίου. Ρυθμίστε αρχικά την πίεση αέρα στη χαμηλότερη τιμή της συνιστώμενης επιτρεπόμενης πίεσης (βλ. ΤΕΧΝΙΚΑ ΧΑΡΑΚΤΗΡΙΣΤΙΚΑ).
 - Μη χρησιμοποιείτε ποτέ το εργαλείο με ο,τιδήποτε άλλο εκτός από πεπιεσμένο αέρα. Αν χρησιμοποιηθεί εμφιαλωμένο αέριο (διοξειδίο άνθρακα, οξυγόνο, άζωτο, υδρογόνο, αέρας, κτλ.) ή εύφλεκτο αέριο (υδρογόνο, προπάνιο, ακετυλένιο, κτλ.) ως πηγή ενέργειας για το εργαλείο αυτό, το εργαλείο θα εκραγεί και θα προκληθεί σοβαρός τραυματισμός.
 - Πριν από τη λειτουργία, να ελέγχετε πάντοτε τη γενική κατάσταση του εργαλείου, αλλά και αν οι βίδες είναι χαλαρές. Σφίξτε όπως απαιτείται.
 - Να βεβαιώνετε ότι όλα τα συστήματα ασφάλειας βρίσκονται σε καλή κατάσταση πριν από τη λειτουργία. Το εργαλείο δεν πρέπει να λειτουργεί αν μόνο πιστεί η σκανδάλη ή αν μόνο πατηθεί ο βραχίονας επαφής επάνω στο ξύλο. Πρέπει να λειτουργεί μόνο όταν εκτελούνται και οι δύο ενέργειες. Δοκιμάστε για πιθανή ελαττωματική λειτουργία χωρίς να είναι φορτωμένα καρφιά.
 - Να ελέγχετε προσεχτικά τους τοίχους, τις οροφές, τα πατώματα, τις στέγες και παρόμοιες κατασκευές για να αποφεύγετε πιθανή ηλεκτροπληξία, διαρροή αερίου, εκρήξεις, κτλ. που προκαλούνται από κτυπήματα ηλεκτροφόρων καλωδίων, αγωγών ή σωληνών αερίων.
 - Να χρησιμοποιείτε μόνο καρφιά που καθορίζονται στο εγχειρίδιο αυτό. Αν χρησιμοποιήσετε άλλα καρφιά, μπορεί να προκληθεί δυσλειτουργία του εργαλείου.
 - Ποτέ μη χρησιμοποιήσετε καρφωτικά πιστόλια που φέρουν την ένδειξη «Μη χρησιμοποιείτε σε σκαλωσιές, σκάλες, κτλ.» για ειδικές εφαρμογές όπως για παράδειγμα:
 - όταν κατά την αλλαγή από μια τοποθεσία καρφωματος σε μια άλλη χρησιμοποιούνται σκαλωσιές, σκαλοπάτια, σκάλες ή άλλες παρόμοιες κατασκευές, π.χ. σανίδες σκεπών,
 - κατά το κλείσιμο κιβωτίων ή τελαρών,
 - κατά την εφαρμογή συστημάτων ασφάλειας μεταφορών π.χ. σε οχήματα και βαγόνια.
 - Μην επιτρέπετε σε ανειδίκευτα άτομα να χρησιμοποιούν το εργαλείο.
 - Να βεβαιώνετε ότι δεν βρίσκεται κανένας κοντά πριν από το κάρφωμα. Ποτέ μην επιχειρήσετε να καρφώσετε ταυτόχρονα και από μέσα και απ' έξω. Τα καρφιά μπορεί να διαπεράσουν το μέσο ή/και να εκτιναχθούν, γεγονός που αποτελεί σοβαρό κίνδυνο.

- Να προσέχετε ώστε να στέκεστε καλά και να διατηρείτε την ισορροπία σας όταν χρησιμοποιείτε το εργαλείο. Να βεβαιώνετε ότι δεν υπάρχει κανείς από κάτω όταν εργάζεστε σε υψηλές τοποθεσίες και να ασφαρίζετε τον εύκαμπο σωλήνα αέρα για να αποφεύγετε τον κίνδυνο σε περίπτωση που συμβεί απότομο τίνγαμα ή πιάσιμο.
- Σε σκεπές και άλλες υψηλές τοποθεσίες, να καρφώνετε καθώς κινείστε προς τα μπροστά. Είναι εύκολο να χάσετε την ισορροπία σας αν καρφώνετε καθώς κινείστε προς τα πίσω. Όταν καρφώνετε σε κατακόρυφη επιφάνεια, να καρφώνετε από την κορυφή προς τα κάτω. Με τον τρόπο αυτό, μπορείτε να εκτελείτε εργασίες καρφώματος με λιγότερη κόπωση.
- Αν από λάθος καρφώσετε ένα καρφί επάνω σε ένα άλλο ή χτυπήσετε κόμπο στο ξύλο, το καρφί θα στραβώσει ή το εργαλείο θα πάθει εμπλοκή. Το καρφί μπορεί να εκτιναχθεί και να χτυπήσει κάποιον ή το ίδιο το εργαλείο μπορεί να αντιδράσει επικίνδυνα. Τοποθετήστε τα καρφιά με προσοχή.
- Μην αφήνετε το φορτωμένο εργαλείο ή τον συμπιεστή αέρα υπό πίεση για μεγάλο χρονικό διάστημα έξω στον ήλιο. Να βεβαιώνετε ότι δεν εισέρχονται στο εργαλείο σκόνη, άμμος, τεμαχίδια ή ξένη ύλη στη θέση όπου το αφήνετε.
- Μην στρέψετε τη θύρα εκτίναξης προς οποιοδήποτε άτομο βρίσκεται κοντά. Να κρατάτε τα χέρια και τα πόδια σας μακριά από την περιοχή της θύρας εκτίναξης.
- Όταν είναι συνδεδεμένος ο σωλήνας αέρα, μη μεταφέρετε το εργαλείο και μην το δίνετε σε κάποιον άλλον ενώ το δάκτυλό σας βρίσκεται στη σκανδάλη. Η τυχαία εκπυροσκόρτηση μπορεί να είναι εξαιρετικά επικίνδυνη.
- Να χειρίζεστε το εργαλείο προσεκτικά, επειδή υπάρχει υψηλή πίεση στο εσωτερικό του που μπορεί να είναι επικίνδυνη αν προκληθεί ρωγμή από απρόσεχτο χειρισμό (πτώση ή χτύπημα). Μην προσπαθήσετε να κάνετε χαρακίες ή αυλακώσεις στο εργαλείο.
- Να σταματάτε αμέσως τις λειτουργίες καρφώματος αν παρατηρήσετε ότι κάτι δεν πάει καλά ή είναι ασυνήθιστο για το εργαλείο.
- Να αποσυνδέετε πάντοτε τον εύκαμπο σωλήνα αέρα και να αφαιρείτε όλα τα καρφιά:
 - (1) Όταν δεν προσέχει κανείς το εργαλείο.
 - (2) Πριν εκτελέσετε οποιαδήποτε εργασία συντήρησης ή επισκευής. Συχνότητα καρφώματος (φορές/λεπτό)
 - (3) Πριν καθαρίσετε κάποια εμπλοκή.
 - (4) Πριν μετακινήσετε το εργαλείο σε νέα τοποθεσία.
- Να εκτελείτε καθαρισμό και συντήρηση του εργαλείου αμέσως μόλις ολοκληρώσετε την εργασία. Να διατηρείτε το εργαλείο σε άριστη κατάσταση. Να λιπαίνετε τα κινούμενα μέρη για να αποφεύγετε την οξειδωση (σκουριάσμα) και να ελαχιστοποιείτε τη φθορά από την τριβή. Σκουπίστε όλη τη σκόνη από τα μέρη του εργαλείου.
- Μη θέτετε αυτό το εργαλείο σε λειτουργία αν δεν διαθέτει ευανάγνωστη ΕΤΙΚΕΤΑ ΠΡΟΕΙΔΟΠΟΙΗΣΗΣ.
- Μην τροποποιείτε το εργαλείο χωρίς έγκριση από τη Makita.
- Απευθυνθείτε στα εξουσιοδοτημένα κέντρα εξυπηρέτησης της Makita για τους περιοδικούς έλεγχους του εργαλείου.
- Για να διατηρείται η ΑΣΦΑΛΕΙΑ και η ΑΞΙΟΠΙΣΤΙΑ του προϊόντος, οι εργασίες συντήρησης και επισκευής θα πρέπει να εκτελούνται σε εξουσιοδοτημένα κέντρα εξυπηρέτησης της Makita, και πάντοτε με τη χρήση ανταλλακτικών της Makita.
- Να χρησιμοποιείτε μόνο λάδι για εργασία πεπιεσμένου αέρα που καθορίζεται στο εγχειρίδιο αυτό.
- Μη συνδέετε ποτέ το εργαλείο σε γραμμή πεπιεσμένου αέρα σε περιπτώσεις που η μέγιστη επιτρεπόμενη πίεση του εργαλείου ξεπεραστεί κατά 10 %. Να βεβαιώνετε ότι η πίεση που παρέχεται από το σύστημα πεπιεσμένου αέρα δεν υπερβαίνει τη μέγιστη επιτρεπόμενη πίεση του καρφωτικού πιστολιού. Ρυθμίστε αρχικά την πίεση αέρα στη χαμηλότερη τιμή της συνιστώμενης επιτρεπόμενης πίεσης.
- Μην προσαρτήσετε να κρατήσετε το στοιχείο επαφής της σκανδάλης πιεσμένο με ταινία ή σύρμα. Μπορεί να προκληθεί θάνατος ή σοβαρός τραυματισμός.
- Να ελέγχετε πάντα το στοιχείο επαφής σύμφωνα με τις οδηγίες στο παρόν εγχειρίδιο. Μπορεί να καθοδηγηθούν κατά λάθος καρφιά εάν δεν λειτουργεί σωστά ο μηχανισμός ασφάλειας.

ΦΥΛΑΞΤΕ ΑΥΤΕΣ ΤΙΣ ΟΔΗΓΙΕΣ.

ΤΟΠΟΘΕΤΗΣΗ

Επιλογή συμπιεστή



- Επιλέξτε συμπιεστή που διαθέτει επαρκή πίεση και έξοδο αέρα ώστε να εξασφαλίζεται η οικονομική λειτουργία. Η γραφική παράσταση απεικονίζει τη σχέση μεταξύ της συχνότητας καρφώματος, της ασκούμενης πίεσης και της εξόδου αέρα του συμπιεστή. Συνεπώς, ως παράδειγμα, αν το κάρφωμα λαμβάνει χώρα με ρυθμό περίπου 60 φορές το λεπτό με συμπίεση 0,69 MPa (6,9 bar),

απαιτείται συμπίεσής με έξοδο αέρα υψηλότερη των 60 L/min.

Πρέπει να χρησιμοποιούνται ρυθμιστές πίεσης για να περιορίζουν την πίεση αέρα στην ονομαστική πίεση του εργαλείου σε περίπτωση που η πίεση παροχής αέρα υπερβαίνει την ονομαστική πίεση του εργαλείου. Αν δεν τηρηθεί αυτή η οδηγία, μπορεί να προκληθεί σοβαρός τραυματισμός στον χειριστή του εργαλείου ή σε άτομα που βρίσκονται κοντά στην περιοχή εργασίας.

Επιλογή εύκαμπτων σωλήνων αέρα (Εικ. 2)

- Να χρησιμοποιείτε εύκαμπτο σωλήνα αέρα όσο το δυνατόν πιο φαρδύ και όσο το δυνατόν πιο κοντό για να εξασφαλίζετε συνεχή, επαρκή λειτουργία καρφώματος. Με πίεση αέρα 0,49 MPa (4,9 bar), συνιστάται εύκαμπτος σωλήνας αέρα με εσωτερική διάμετρο μεγαλύτερη από 6,5 χιλιοστά (1/4 ίντσας) και με μήκος μικρότερο από 20 μέτρα (6,6 πόδια) όταν το χρονικό διάστημα μεταξύ κάθε καρφώματος είναι 0,5 δευτερόλεπτο. Οι εύκαμπτοι σωλήνες αέρα θα πρέπει να έχουν ελάχιστη ονομαστική πίεση εργασίας 1,03 MPa (10,3 bar) ή 150 τοις εκατό της μέγιστης πίεσης που παράγει το σύστημα, όποια τιμή είναι υψηλότερη.

ΠΡΟΣΟΧΗ:

- Η χαμηλή έξοδο αέρα του συμπίεστή ή ο εύκαμπτος σωλήνας αέρα με μεγαλύτερο μήκος ή μικρότερη διάμετρο σε σχέση με τη συχνότητα καρφώματος μπορεί να προκαλέσει μείωση της ικανότητας καρφώματος του εργαλείου.

Λίπανση (Εικ. 3 και 4)

Για να εξασφαλίζετε τη μέγιστη απόδοση, τοποθετήστε ένα σετ αέρα (λιπαντήρας, ρυθμιστής, φίλτρο αέρα) όσο το δυνατόν πιο κοντά στο εργαλείο. Ρυθμίστε το λιπαντήρα έτσι ώστε να παρέχει μία σταγόνα λαδιού κάθε 50 καρφιά. Όταν δεν χρησιμοποιείται σετ αέρα, να λιπαίνετε το εργαλείο με λάδι για εργαλεία πεπιεσμένου αέρα τοποθετώντας 2 (δύο) ή 3 (τρεις) σταγόνες στο προσάρτημα αέρα. Αυτό πρέπει να πραγματοποιείται πριν και μετά από τη χρήση. Για τη σωστή λίπανση, πρέπει να εκτυροσκορτείτε το εργαλείο δύο-τρεις φορές μετά από την εισαγωγή του λαδιού για εργαλεία πεπιεσμένου αέρα.

ΠΕΡΙΓΡΑΦΗ ΛΕΙΤΟΥΡΓΙΑΣ

ΠΡΟΣΟΧΗ:

- Να αποσυνδέετε πάντοτε τον εύκαμπτο σωλήνα πριν ρυθμίζετε ή ελέγχετε τη λειτουργία του εργαλείου.

Ρύθμιση του βάθους καρφώματος (Εικ. 5)

Για να ρυθμίσετε το βάθος καρφώματος, περιστρέψτε το ρυθμιστή. Το βάθος καρφώματος είναι το μέγιστο όταν ο ρυθμιστής έχει περιστραφεί εντελώς προς την κατεύθυνση Α που απεικονίζεται στην εικόνα. Θα γίνεται μικρότερο καθώς περιστρέψετε το ρυθμιστή στην κατεύθυνση Β. Αν δεν είναι δυνατό να καρφωθούν τα καρφιά αρκετά βαθιά ακόμη και όταν ο ρυθμιστής έχει περιστραφεί

εντελώς προς την κατεύθυνση Α, αυξήστε την πίεση αέρα. Αν τα καρφιά καρφώνονται πολύ βαθιά ακόμη και όταν ο ρυθμιστής έχει περιστραφεί εντελώς προς την κατεύθυνση Β, μειώστε την πίεση αέρα. Γενικά, η ωφέλιμη ζωή του εργαλείου θα είναι μεγαλύτερη όταν χρησιμοποιείτε το εργαλείο με χαμηλότερη πίεση αέρα και καθορίζετε το ρυθμιστή σε μικρότερο βάθος καρφώματος.

ΠΡΟΣΟΧΗ:

- Να αποσυνδέετε πάντοτε τον εύκαμπτο σωλήνα πριν ρυθμίζετε το βάθος καρφώματος.

Γάντζος (Εικ. 6)

ΠΡΟΣΟΧΗ:

- Να αποσυνδέετε πάντοτε τον εύκαμπτο σωλήνα από το εργαλείο.
- Μην κρεμάτε ποτέ το εργαλείο σε υψηλές τοποθεσίες ή σε πιθανώς ασταθείς επιφάνειες.

Ο γάντζος χρησιμεύει για το προσωρινό κρέμασμα του εργαλείου.

ΣΥΝΑΡΜΟΛΟΓΗΣΗ

ΠΡΟΣΟΧΗ:

- Να αποσυνδέετε πάντοτε τον εύκαμπτο σωλήνα πριν εκτελέσετε οποιαδήποτε εργασία στο εργαλείο.
- Όταν φορτώνετε καρφιά στο γεμιστήρα, να φορτώνετε καρφιά του ίδιου είδους και μεγέθους αλλά και καρφιά με ομοίομορφο μήκος.

Γέμισμα του καρφωτικού πιστολιού

Για να ανοίξετε την κυλιόμενη θύρα του γεμιστήρα, πιέστε το μοχλό και τραβήξτε την κυλιόμενη θύρα προς το μέρος σας με το μοχλό πιεσμένο. (Εικ. 7) Ευθυγραμμίστε τη μύτη των καρφίων με τις εγκοπές στο κάτω μέρος του ίδιου γεμιστήρα και πιέστε ολόκληρο το τμήμα των καρφίων προς το άνοιγμα εκτυροσκορτίστης. (Εικ. 8)

Κλείστε την κυλιόμενη θύρα.

Προσαρμογέας μύτης (Εικ. 9 και 10)

ΠΡΟΣΟΧΗ:

- Να αποσυνδέετε πάντοτε τον εύκαμπτο σωλήνα πριν τοποθετείτε τον προσαρμογέα μύτης.

Για να μη τρασουσιστεί και για μην προκληθεί ζημιά στην επιφάνεια του τεμαχίου εργασίας, τοποθετήστε την προεξοχή στο εσωτερικό του προσαρμογέα μύτης στην εγκοπή στο βραχίονα επαφής για να χρησιμοποιήσετε τον προσαρμογέα μύτης.

Να φυλάσσετε τον προσαρμογέα μύτης στη θέση του όταν δεν τον χρησιμοποιείτε. Η θέση φύλαξης του βρίσκεται και στις δύο πλευρές του εργαλείου και στο εσωτερικό της θήκης μεταφοράς.

Σύνδεση του εύκαμπτου σωλήνα αέρα (Εικ. 11)

Σύρτε την υποδοχή αέρα του εύκαμπτου σωλήνα αέρα στο προσάρτημα αέρα στο καρφωτικό πιστόλι. Βεβαιωθείτε ότι η υποδοχή αέρα κλειδώνει σταθερά στη θέση της όταν την τοποθετείτε στο προσάρτημα αέρα. Πρέπει να τοποθετηθεί σύζευξη εύκαμπτων

σωλήνων επάνω ή κοντά στο εργαλείο με τρόπο ώστε να εκτονώνεται το δοχείο πίεσης τη στιγμή που αποσυνδεθεί η σύζευξη παροχής αέρα.

ΛΕΙΤΟΥΡΓΙΑ

Για να καρφώσετε ένα καρφί, μπορείτε να τοποθετήσετε το στοιχείο επαφής επάνω στο τεμάχιο εργασίας και να πιέσετε τη σκανδάλη. **(Εικ. 12)**

ΠΡΟΣΟΧΗ:

- ΜΕ ΤΗ ΣΚΑΝΔΑΛΗ ΚΡΑΤΗΜΕΝΗ ΣΕ ΜΙΣΟΠΙΕΣΜΕΝΗ ΘΕΣΗ, μπορεί να προκύψει ξαφνικό κάρφωμα, σε περίπτωση που το στοιχείο επαφής αφηθεί να έρθει ξανά σε επαφή με το τεμάχιο εργασίας ή με κάποια άλλη επιφάνεια υπό την επίδραση της οπισθοδρόμησης.
- Για να αποφεύγετε αυτό το ξαφνικό κάρφωμα, να πραγματοποιείτε τα εξής:
 - A. Να μην τοποθετείτε το στοιχείο επαφής επάνω στο τεμάχιο εργασίας με υπερβολική δύναμη.
 - B. Να πιέζετε τη σκανδάλη πλήρως και να την κρατάτε για 1 έως 2 δευτερόλεπτα μετά από το κάρφωμα.

Κατεύθυνση του αέρα εξόδου (Εικ. 13)

Αν περιστρέψετε το κάλυμμα εξόδου με το χέρι, μπορείτε να αλλάξετε την κατεύθυνση του αέρα εξόδου κατά 360 μοίρες.

Αφαίρεση καρφιών

ΠΡΟΣΟΧΗ:

- Μη χρησιμοποιείτε παραμορφωμένα καρφιά ή παραμορφωμένη σειρά καρφιών. Αν κάνετε κάτι τέτοιο θα προκληθεί ανεπαρκής τροφοδοσία καρφιών.

ΠΡΟΕΙΔΟΠΟΙΗΣΗ:

- Να αποσυνδέετε πάντοτε τον εύκαμπτο σωλήνα πριν αφαιρείτε τα καρφιά.

Ανοίξτε την κυλιόμενη θύρα και αφαιρέστε τα καρφιά από το γεμιστήρα. **(Εικ. 14)**

Με την κυλιόμενη θύρα ανοιχτή, ανοίξτε τη θύρα και αφαιρέστε τα καρφιά.

Αν βγάλετε το άνω τμήμα επαφής, διευκολύνεται η αφαίρεση των καρφιών. Όταν τοποθετείτε ξανά το άνω τμήμα επαφής, εισάγετε την προεξοχή του άνω τμήματος στην εγκοπή του βραχίονα επαφής. **(Εικ. 15 και 16)**

Καρφιά

Να χειρίζεστε τις ταινίες καρφιών και το κουτί τους προσεκτικά. Αν ο χειρισμός των ταινιών καρφιών γίνει με ακατάλληλο τρόπο, μπορεί να χάσουν το σχήμα τους ή να σπάσει το συνδετικό τους με αποτέλεσμα την ανεπαρκή τροφοδοσία καρφιών. **(Εικ. 17)**

Αποφύγετε να αποθηκεύετε καρφιά σε μέρη με πολύ υγρασία ή υψηλή θερμοκρασία ή σε μέρη που είναι εκτεθειμένα σε άμεση ηλιοβολή. **(Εικ. 18)**

ΣΥΝΤΗΡΗΣΗ

ΠΡΟΣΟΧΗ:

- Να αποσυνδέετε πάντοτε τον εύκαμπτο σωλήνα πριν επιχειρήσετε να εκτελέσετε έλεγχο ή συντήρηση.

Συντήρηση του καρφωτικού πιστολιού

Πριν από τη λειτουργία, να ελέγχετε πάντοτε τη γενική κατάσταση του εργαλείου, αλλά και αν οι βίδες είναι χαλαρές. Σφίξτε όπως απαιτείται. **(Εικ. 19)**

Με το εργαλείο αποσυνδεδεμένο, πραγματοποιήστε καθημερινό έλεγχο για να επιβεβαιώσετε ότι το στοιχείο επαφής και η σκανδάλη κινούνται ελεύθερα. Μη χρησιμοποιείτε το εργαλείο αν κολλάει ή εμπλέκεται το στοιχείο επαφής ή η σκανδάλη. **(Εικ. 20)**

Όταν το εργαλείο δεν πρόκειται να χρησιμοποιηθεί για μεγάλο χρονικό διάστημα, λιπάνετε το εργαλείο χρησιμοποιώντας λάδι για εργαλεία πεπιεσμένου αέρα και αποθηκεύστε το εργαλείο σε ασφαλές μέρος. Να αποφεύγετε την έκθεση στην άμεση ηλιοβολή ή/και σε περιβάλλον με υγρασία ή ζέστη. **(Εικ. 21 και 22)**

Συντήρηση του συμπιεστή, του σετ αέρα και του εύκαμπτου σωλήνα αέρα

Μετά από τη λειτουργία, να αποστραγγίζετε πάντοτε τη δεξαμενή του συμπιεστή και το φίλτρο αέρα. Αν εισέλθει υγρασία στο εργαλείο, μπορεί να έχει ως αποτέλεσμα ανεπαρκή απόδοση και πιθανή βλάβη του εργαλείου. **(Εικ. 23 και 24)**

Να ελέγχετε τακτικά να δείτε αν υπάρχει αρκετό λάδι για εργαλεία πεπιεσμένου αέρα στο λιπαντήρα του σετ αέρα. Αν δεν διατηρείται η επαρκής λίπανση, θα προκληθεί γρήγορη φθορά των στρογγυλών δαχτυλίων. **(Εικ. 25)**

Να διατηρείτε τον εύκαμπτο σωλήνα αέρα μακριά από τη θερμότητα (θερμοκρασία υψηλότερη από 60°C, ή 140°F) και μακριά από χημικές ουσίες (διαλύτες, ισχυρά οξέα ή ισχυρές βάσεις). Επίσης, να δρομολογείτε τον εύκαμπτο σωλήνα μακριά από εμπόδια στα οποία θα μπορούσε να εμπλακεί επικίνδυνα κατά τη λειτουργία. Οι εύκαμπτοι σωλήνες πρέπει να δρομολογούνται μακριά από αιχμηρά άκρα και περιοχές που μπορεί να οδηγήσουν σε βλάβη ή τρίψιμο του εύκαμπτου σωλήνα. **(Εικ. 26)**

Για να διατηρείται η ΑΣΦΑΛΕΙΑ και η ΑΣΙΟΠΙΣΤΙΑ του προϊόντος, οι εργασίες επισκευής, καθώς και οποιαδήποτε άλλη εργασία συντήρησης και ρύθμισης, θα πρέπει να εκτελούνται σε εξουσιοδοτημένα κέντρα εξυπηρέτησης της Makita, και πάντοτε με τη χρήση ανταλλακτικών της Makita.

ΑΞΕΣΟΥΑΡ

ΠΡΟΣΟΧΗ:

- Συνιστάται η χρήση των παρακάτω αξεσουάρ και εξαρτημάτων με το εργαλείο της Makita μόνο όπως καθορίζεται στο παρόν εγχειρίδιο. Αν χρησιμοποιήσετε άλλα αξεσουάρ ή εξαρτήματα μπορεί να παρουσιαστεί κίνδυνος για πρόκληση ατομικού τραυματισμού. Να χρησιμοποιείτε τα

αξεσουάρ και τα εξαρτήματα μόνο για το σκοπό για τον οποίο προορίζονται.

Αν χρειάζεστε κάποια βοήθεια ή περισσότερες πληροφορίες σχετικά με τα αξεσουάρ αυτά, απευθυνθείτε στο πλησιέστερο κέντρο εξυπηρέτησης της Makita.

- Καρφιά
- Εύκαμπτοι σωλήνες αέρα
- Γυαλιά προστασίας

ENGLISH

For European countries only

Noise and Vibration

The typical A-weighted sound pressure level is 81 dB (A).
The noise level under working may exceed 85 dB (A).

– Wear ear protection. –

The typical weighted root mean square acceleration value is not more than 2.5 m/s².

These values have been obtained according to EN792.

ITALIANO

Modello per l'Europa soltanto

Rumore e vibrazione

Il livello tipico di pressione sonora ponderata A è di 81 dB (A).
Il livello acustico in esercizio può superare 85 dB (A).

– Indossare una protezione acustica. –

In genere, il valore efficace ponderato dell'accelerazione non supera i 2,5 m/s².

Questi valori sono stati ottenuti in conformità con la norma EN792.

FRANÇAIS

Pour les pays d'Europe uniquement

Bruit et vibrations

Le niveau de pression sonore pondérée A typique est 81 dB (A).

Le niveau de bruit peut dépasser 85 dB (A) lors de l'utilisation.

– Portez des protections d'oreilles. –

La valeur d'accélération quadratique pondérée typique ne dépasse pas 2,5 m/s².

Ces valeurs ont été obtenues selon EN792.

NEDERLANDS

Alleen voor Europese landen

Geluidsniveau en trilling

Het typische, A-gewogen geluidsdruk niveau is 81 dB (A).

Het geluidsniveau kan tijdens gebruik hoger worden dan 85 dB (A).

– Draag gehoorbescherming. –

De typisch, gewogen, kwadratisch-gemiddelde versnellingswaarde is niet hoger dan 2,5 m/s².

Deze waarden zijn verkregen volgens EN792.

DEUTSCH

Nur für europäische Länder

Geräusch- und Vibrationsentwicklung

Der typische Schalldruck beträgt 81 dB (A).

Unter Arbeitsbedingungen kann der Schalldruck 85 dB (A) überschreiten.

– Tragen Sie Gehörschutz. –

Der typische effektive Beschleunigungswert beträgt höchstens 2,5 m/s².

Diese Werte wurden entsprechend der Norm EN792 gewonnen.

ESPAÑOL

Para países europeos solamente

Ruido y vibración

El nivel de presión acústica típico ponderado A es de 81 dB (A).

El nivel de ruido durante el trabajo puede superar los 85 dB (A).

– Utilice protección para los oídos. –

El valor ponderado de aceleración no es superior a 2,5 m/s².

Estos valores se han obtenido conforme a EN792.

Yasuhiko Kanzaki CE 2006



Director	Amministratore
Directeur	Directeur
Direktor	Director

MAKITA INTERNATIONAL EUROPE LTD.

Michigan Drive, Tongwell, Milton Keynes,
Bucks MK15 8JD, ENGLAND

Responsible manufacturer:	Produttore responsabile:
Fabricant responsable :	Verantwoordelijke fabrikant:
Verantwortlicher Hersteller:	Fabricante responsable:

Makita Corporation Anjo Aichi Japan

PORTUGUÊS

Só para países Europeus

Ruído e vibração

O nível acústico ponderado A é de 81 dB (A).

O nível de ruído quando em funcionamento pode exceder os 85 dB (A).

– Use proteção para os ouvidos. –

A do valor médio quadrático ponderado da variação da aceleração não é superior a $2,5 \text{ m/s}^2$.

Estes valores foram obtidos segundo a norma EN792.

DANSK

Kun for lande i Europa

Lyd og vibration

Det typiske A-vægtede lydtryksniveau er 81 dB (A).

Støjniveauet under arbejdet kan være højere end 85 dB (A).

– Bær høreværn. –

Den typiske vægtede effektive accelerationsværdi er ikke over $2,5 \text{ m/s}^2$.

Disse værdier er målt i overensstemmelse med EN792.

SVENSKA

Endast för Europa

Buller och vibration

Den typiska ljudtrycksnivån är 81 dB (A).

Bullernivån under drift kan överstiga 85 dB (A).

– Använd hörselskydd. –

Kvadratiska medelvärdet för accelerationen överstiger inte $2,5 \text{ m/s}^2$.

Dessa värden är inhämtade i enlighet med EN792.

NORSK

Gjelder bare land i Europa

Støy og vibrasjon

Typisk A-vektet lydtrykknivå er 81 dB (A).

Støynivået under arbeid kan overskride 85 dB (A).

– Bruk hørselvern. –

Typisk vektet kvadratisk middelværdi av akselerasjonen er ikke mer enn $2,5 \text{ m/s}^2$.

Disse verdiene er fremkommet i samsvar med EN792.

SUOMI

Vain Euroopan maat

Melutaso ja värinä

Tyypillinen A-painotettu äänenpainetaso on 81 dB (A).

Työskentelyn aikana melutaso voi ylittää 85 dB (A).

– Käytä kuulosuojaimia. –

Tyypillinen painotettu tehollisarvo on enintään $2,5 \text{ m/s}^2$.

Arvot on mitattu standardin EN792 mukaisesti.

ΕΛΛΗΝΙΚΑ

Μόνο για χώρες της Ευρώπης

Θόρυβος και κραδασμός

Το σύνθηδες σταθμισμένο επίπεδο ηχητικής πίεσης είναι 81 dB (A).

Το επίπεδο θορύβου σε λειτουργία ενδέχεται να υπερβεί τα 85 dB (A).

Να φοράτε ωτοασπίδες.

Η συνήθης σταθμισμένη μέση τετραγωνική ρίζα της τιμής επιτάχυνσης δεν υπερβαίνει τα $2,5 \text{ m/s}^2$.

Οι τιμές αυτές έχουν ληφθεί σύμφωνα με το EN792.

Yasuhiko Kanzaki CE 2006

Director

Direktør

Direktör

Direktor

Johtaja

Διευθυντής

MAKITA INTERNATIONAL EUROPE LTD.

Michigan Drive, Tongwell, Milton Keynes,
Bucks MK15 8JD, ENGLAND

Fabricante responsável:

Ansvarlig fabrikant:

Ansvarig tillverkare:

Ansvarlig produsent:

Vastaava valmistaja:

Υπεύθυνος κατασκευαστής:

Makita Corporation Anjo Aichi Japan

ENGLISH

EC-DECLARATION OF CONFORMITY

We declare under our sole responsibility that this product is in compliance with the following standards of standardized documents;
EN792 in accordance with Council Directives, 98/37/EC.

ITALIANO

CE-DICHIARAZIONE DI CONFORMITÀ

Dichiariamo sotto nostra esclusiva responsabilità che il presente prodotto è conforme alle seguenti norme o documenti normativi;
EN792 secondo le disposizioni delle direttive del Consiglio, 98/37/CE.

FRANÇAIS

DÉCLARATION DE CONFORMITÉ CE

Nous déclarons, sous notre entière responsabilité, que ce produit répond aux normes suivantes de documents normalisés :
EN792 conformément aux Directives du Conseil 98/37/CE.

NEDERLANDS

EU-VERKLARING VAN CONFORMITEIT

Wij verklaren onder eigen verantwoordelijkheid dat dit product voldoet aan de normen in de volgende documenten:
EN792 in overeenstemming met de richtlijnen van de Raad, 98/37/EC.

DEUTSCH

EG-KONFORMITÄTSERKLÄRUNG

Wir erklären unter unserer alleinigen Verantwortlichkeit, dass sich dieses Produkt in Übereinstimmung mit den folgenden Normen der Normdokumente
EN792 befindet sowie in Übereinstimmung mit den Ratsverordnungen 98/37/EC.

ESPAÑOL

DECLARACIÓN DE CONFORMIDAD DE LA CE

Declaramos bajo nuestra exclusiva responsabilidad que este producto cumple con los siguientes estándares de documentos estandarizados;
EN792 de acuerdo con las directivas del Consejo 98/37/EC.

Yasuhiko Kanzaki CE 2006



Director	Amministratore
Directeur	Directeur
Direktor	Director

MAKITA INTERNATIONAL EUROPE LTD.

Michigan Drive, Tongwell, Milton Keynes,
Bucks MK15 8JD, ENGLAND

Responsible manufacturer:	Produttore responsabile:
Fabricant responsable :	Verantwoordelijke fabrikant:
Verantwortlicher Hersteller:	Fabricante responsable:

Makita Corporation Anjo Aichi Japan

PORTUGUÊS

DECLARAÇÃO DE CONFORMIDADE DA CE

Declaramos, sob a nossa única responsabilidade, que este produto está em conformidade com as seguintes normas de documentos normalizados;
EN792 em conformidade com as normas do Conselho, 98/37/EC.

DANSK

EU-ERKLÆRING VEDRØRENDE OVERHOLDELSE AF STANDARDER

Vi erklærer og tager det fulde ansvar for, at produktet overholder følgende standarder i standardiseringsdokumenterne
EN792 i overensstemmelse med Rådets direktiver 98/37/EU.

SVENSKA

EG - FÖRSÄKRAN OM ÖVERENSSTÄMMELSE

Vi försäkrar under eget ansvar att denna produkt följer de standarder som anges i följande standardiserade dokument:
EN792 i enlighet med Rådets direktiv 98/37/EC.

NORSK

EF-SAMSVARSERKLÆRING

Vi tar det hele og fulle ansvar for at dette produktet samsvarer med følgende standarder:
EN792 i samsvar med rådsdirektiv 98/37/EC.

SUOMI

EY-VAATIMUSTENMUKAISUUSVAKUUTUS

Makita ilmoittaa vastaavansa siitä, että tuote täyttää seuraavien standardien vaatimukset:
EN792 neuvoston direktiivin 98/37/EY mukaisesti.

ΕΛΛΗΝΙΚΑ

ΕΕ-ΔΗΛΩΣΗ ΣΥΜΜΟΡΦΩΣΗΣ

Δηλώνουμε με αποκλειστική ευθύνη μας ότι το προϊόν αυτό συμμορφώνεται με τα ακόλουθα πρότυπα των τυποποιημένων εντύπων:
EN792 σε συμφωνία με τις Οδηγίες της Επιτροπής, 98/37/ΕΚ.

Yasuhiko Kanzaki CE 2006



Director
Direktør
Direktör

Direktor
Johtaja
Διευθυντής

MAKITA INTERNATIONAL EUROPE LTD.

Michigan Drive, Tongwell, Milton Keynes,
Bucks MK15 8JD, ENGLAND

Fabricante responsável:
Ansvarlig fabrikant:
Ansvarig tillverkare:

Ansvarlig produsent:
Vastaava valmistaja:
Υπεύθυνος κατασκευαστής:

Makita Corporation Anjo Aichi Japan

Makita Corporation
Anjo, Aichi, Japan

AF505-12L-0506