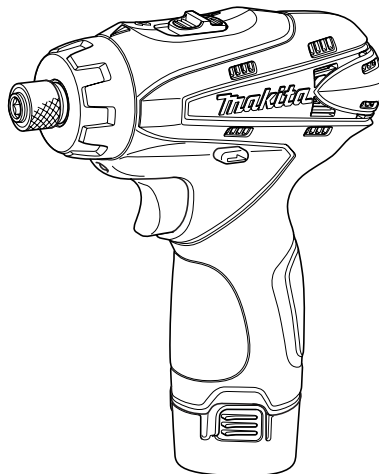
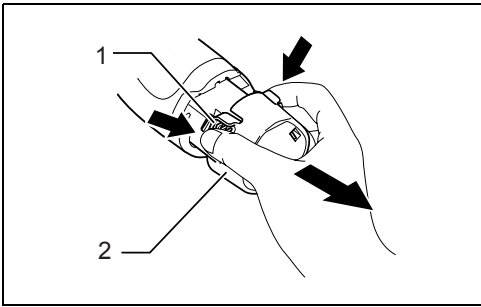




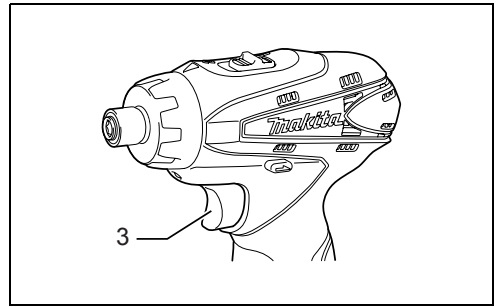
GB	Cordless Driver Drill	Instruction manual
F	Perceuse-visseuse sans fil	Manuel d'instructions
D	Akku-Bohrschrauber	Betriebsanleitung
I	Trapano avvitatore a batterie	Istruzioni per l'uso
NL	Accuschroef-boormachine	Gebruiksaanwijzing
E	Taladro-atornillador a batería	Manual de instrucciones
P	Berbequim sem fios	Manual de instruções
DK	Akku bore-skruemaskine	Brugsanvisning
GR	Δραπανοκατσάβιδο μπαταρίας	Οδηγίες χρήσης

DF030D

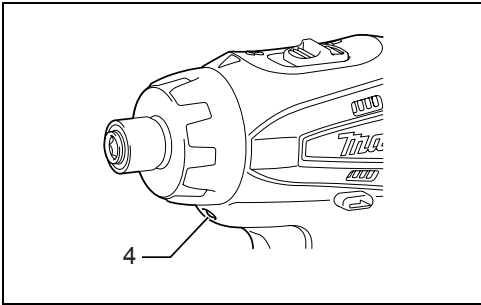




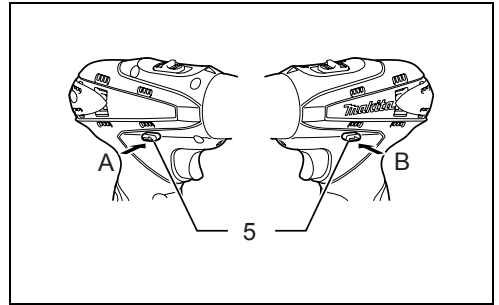
1



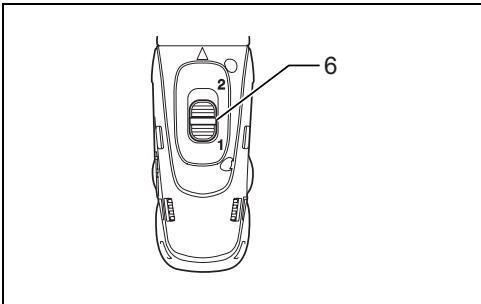
2



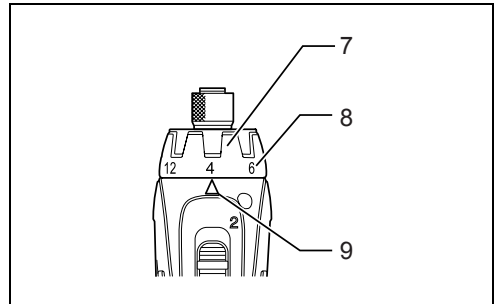
3



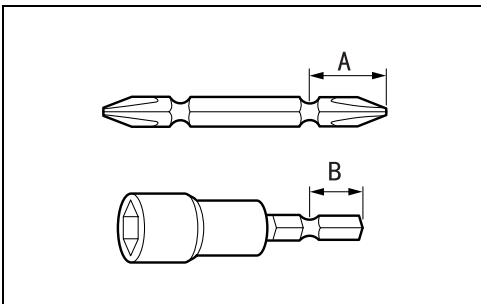
4



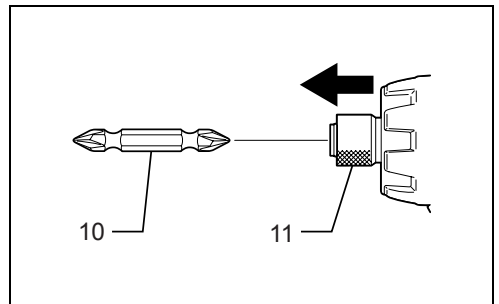
5



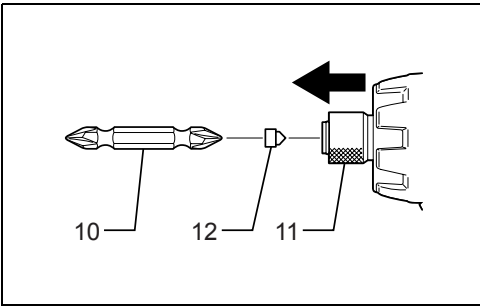
6



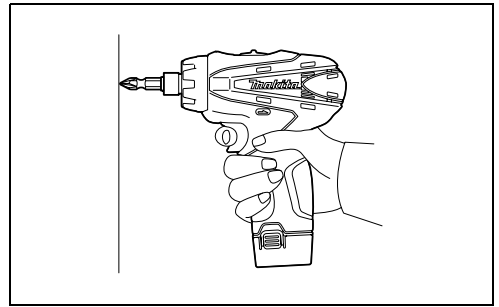
7



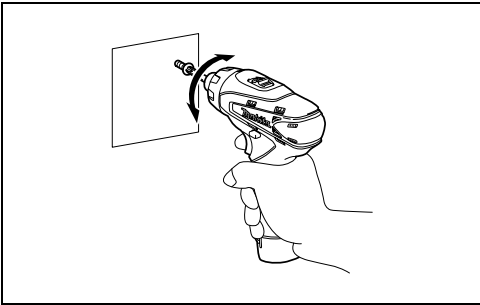
8



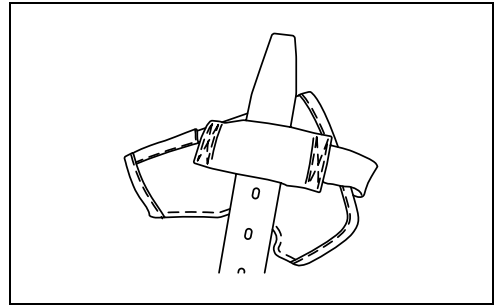
9



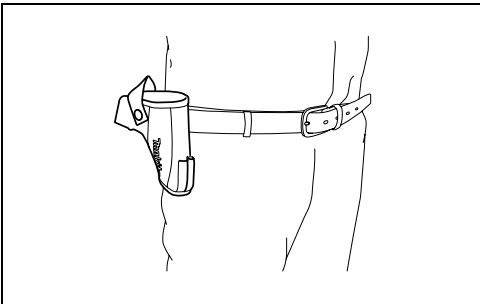
10



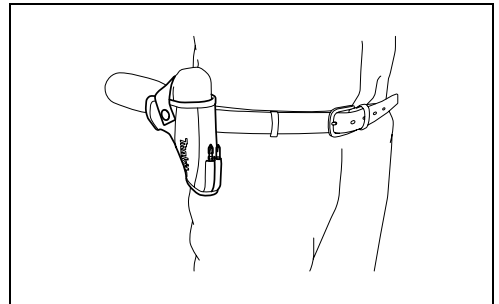
11



12



13



14

Explanation of general view

- | | | |
|----------------------|---------------------------|---------------|
| 1. Button | 5. Reversing switch lever | 9. Pointer |
| 2. Battery cartridge | 6. Speed change lever | 10. Bit |
| 3. Switch trigger | 7. Adjusting ring | 11. Sleeve |
| 4. Lamp | 8. Graduation | 12. Bit-piece |

SPECIFICATIONS

Model		DF030D
Capacities	Steel	10 mm
	Wood	21 mm
	Wood screw	5.1 mm x 63 mm
	Machine screw	M6
No load speed (min ⁻¹)	High (2)	0 - 1,300
	Low (1)	0 - 350
Chuck capacity		6.35 mm
Overall length		157 mm
Net weight		0.88 kg
Rated voltage		D.C. 10.8 V

- Due to our continuing programme of research and development, the specifications herein are subject to change without notice.
- Note: Specifications may differ from country to country.

Symbols

END004-2

The following show the symbols used for the equipment. Be sure that you understand their meaning before use.



..... Read instruction manual.

Intended use

ENE034-1

The tool is intended for drilling and screw driving in wood, metal and plastic.

SPECIFIC SAFETY RULES

GEB002-2

DO NOT let comfort or familiarity with product (gained from repeated use) replace strict adherence to drill safety rules. If you use this power tool unsafely or incorrectly, you can suffer serious personal injury.

1. **Hold power tools by insulated gripping surfaces when performing an operation where the cutting tool may contact hidden wiring or its own cord.** Contact with a "live" wire will make exposed metal parts of the tool "live" and shock the operator.
2. **Always be sure you have a firm footing. Be sure no one is below when using the tool in high locations.**
3. **Hold the tool firmly.**
4. **Keep hands away from rotating parts.**
5. **Do not leave the tool running. Operate the tool only when hand-held.**
6. **Do not touch the drill bit or the workpiece immediately after operation; they may be extremely hot and could burn your skin.**
7. **Some material contains chemicals which may be toxic. Take caution to prevent dust inhalation and skin contact. Follow material supplier safety data.**

SAVE THESE INSTRUCTIONS.

WARNING:

MISUSE or failure to follow the safety rules stated in this instruction manual may cause serious personal injury.

IMPORTANT SAFETY INSTRUCTIONS

ENC007-2

FOR BATTERY CARTRIDGE

1. **Before using battery cartridge, read all instructions and cautionary markings on (1) battery charger, (2) battery, and (3) product using battery.**
2. **Do not disassemble battery cartridge.**
3. **If operating time has become excessively shorter, stop operating immediately. It may result in a risk of overheating, possible burns and even an explosion.**
4. **If electrolyte gets into your eyes, rinse them out with clear water and seek medical attention right away. It may result in loss of your eyesight.**
5. **Do not short the battery cartridge:**
 - (1) **Do not touch the terminals with any conductive material.**
 - (2) **Avoid storing battery cartridge in a container with other metal objects such as nails, coins, etc.**
 - (3) **Do not expose battery cartridge to water or rain. A battery short can cause a large current flow, overheating, possible burns and even a breakdown.**

6. **Do not store the tool and battery cartridge in locations where the temperature may reach or exceed 50 °C (122 °F).**
7. **Do not incinerate the battery cartridge even if it is severely damaged or is completely worn out. The battery cartridge can explode in a fire.**
8. **Be careful not to drop or strike battery.**

SAVE THESE INSTRUCTIONS.

Tips for maintaining maximum battery life

1. **Charge the battery cartridge before completely discharged. Always stop tool operation and charge the battery cartridge when you notice less tool power.**
2. **Never recharge a fully charged battery cartridge. Overcharging shortens the battery service life.**
3. **Charge the battery cartridge with room temperature at 10 °C - 40 °C (50 °F - 104 °F). Let a hot battery cartridge cool down before charging it.**

FUNCTIONAL DESCRIPTION

CAUTION:

- Always be sure that the tool is switched off and the battery cartridge is removed before adjusting or checking function on the tool.

Installing or removing battery cartridge (Fig. 1)

- Always switch off the tool before insertion or removal of the battery cartridge.
- To remove the battery cartridge, withdraw it from the tool while pressing the buttons on both sides of the cartridge.
- To insert the battery cartridge, hold it so that the battery cartridge front shape fits to that of the battery installment opening and slip it into place. Always insert it all the way until it locks in place with a little click. If not, it may accidentally fall out of the tool, causing injury to you or someone around you.
- Do not use force when inserting the battery cartridge. If the cartridge does not slide in easily, it is not being inserted correctly.

Switch action (Fig. 2)

CAUTION:

- Before inserting the battery cartridge into the tool, always check to see that the switch trigger actuates properly and returns to the "OFF" position when released.

To start the tool, simply pull the switch trigger. Tool speed is increased by increasing pressure on the switch trigger. Release the switch trigger to stop.

Turning on the front lamp (Fig. 3)

CAUTION:

- Do not look in the light or see the source of the light directly.

Pull the switch trigger to turn on the light. The lamp keeps on lighting while the switch trigger is being pulled. The lamp turns off 10 -15 seconds after releasing the trigger.

NOTE:

- Use a dry cloth to wipe the dirt off the lens of lamp. Be careful not to scratch the lens of lamp, or it may lower the illumination.

Reversing switch action (Fig. 4)

This tool has a reversing switch to change the direction of rotation. Depress the reversing switch lever from the A side for clockwise rotation or from the B side for counterclockwise rotation.

When the reversing switch lever is in the neutral position, the switch trigger cannot be pulled.

CAUTION:

- Always check the direction of rotation before operation.
- Use the reversing switch only after the tool comes to a complete stop. Changing the direction of rotation before the tool stops may damage the tool.
- When not operating the tool, always set the reversing switch lever to the neutral position.


Speed change (Fig. 5)


To change the speed, first switch off the tool and then slide the speed change lever to the "2" side for high speed or "1" side for low speed. Be sure that the speed change lever is set to the correct position before operation. Use the right speed for your job.

CAUTION:

- Always set the speed change lever fully to the correct position. If you operate the tool with the speed change lever positioned halfway between the "1" side and "2" side, the tool may be damaged.
- Do not use the speed change lever while the tool is running. The tool may be damaged.

Adjusting the fastening torque (Fig. 6)

The fastening torque can be adjusted in 18 steps by turning the adjusting ring so that its graduations are aligned with the pointer on the tool body. The fastening torque is minimum when the number 1 is aligned with the pointer, and maximum when the  marking is aligned with the pointer.

The clutch will slip at various torque levels when set at the number 1 to 18. The clutch is designed not to slip at the  marking.

Before actual operation, drive a trial screw into your material or a piece of duplicate material to determine which torque level is required for a particular application.

ASSEMBLY

CAUTION:

- Always be sure that the tool is switched off and the battery cartridge is removed before carrying out any work on the tool.

Installing or removing driver bit or socket bit (Fig. 7)

Use only bits that has inserting portion shown in the figure.

For European and North & South American countries, Australia and New Zealand

A=12 mm B=9 mm	Use only these type of bit. Follow the procedure (1). (Note) Bit-piece is not necessary.
-------------------	---

For other countries

A=17 mm B=14 mm	To install these types of bits, follow the procedure (1). (Note) Makita bits are these types.
A=12 mm B=9 mm	To install these types of bits, follow the procedure (2). (Note) Bit-piece is necessary for installing the bit.

- To install the bit, pull the sleeve in the direction of the arrow and insert the bit into the sleeve as far as it will go. Then release the sleeve to secure the bit. **(Fig. 8)**
- To install the bit, pull the sleeve in the direction of the arrow and insert the bit-piece and bit into the sleeve as far as it will go. The bit-piece should be inserted into the sleeve with its pointed end facing in. Then release the sleeve to secure the bit. **(Fig. 9)**

To remove the bit, pull the sleeve in the direction of the arrow and pull the bit out firmly.

NOTE:

- If the bit is not inserted deep enough into the sleeve, the sleeve will not return to its original position and the bit will not be secured. In this case, try re-inserting the bit according to the instructions above.

OPERATION

CAUTION:

- Always insert the battery cartridge all the way until it locks in place. If you can see the red part on the upper side of the button, it is not locked completely. Insert it fully until the red part cannot be seen. If not, it may accidentally fall out of the tool, causing injury to you or someone around you.

Hold the tool firmly with one hand on the grip and the other hand on the bottom of the battery cartridge to control the twisting action.

Screwdriving operation (Fig. 10)

CAUTION:

- Adjust the adjusting ring to the proper torque level for your work.

Place the point of the driver bit in the screw head and apply pressure to the tool. Start the tool slowly and then increase the speed gradually. Release the switch trigger as soon as the clutch cuts in.

CAUTION:


- Make sure that the driver bit is inserted straight in the screw head, or the screw and/or bit may be damaged.

NOTE:

- When driving wood screws, predrill pilot holes to make driving easier and to prevent splitting of the workpiece. See the chart.

Nominal diameter of wood screw (mm)	Recommended size of pilot hole (mm)
3.1	2.0 - 2.2
3.5	2.2 - 2.5
3.8	2.5 - 2.8
4.5	2.9 - 3.2
4.8	3.1 - 3.4
5.1	3.3 - 3.6
5.5	3.7 - 3.9
5.8	4.0 - 4.2
6.1	4.2 - 4.4

Drilling operation

First, turn the adjusting ring so that the pointer points to the  marking. Then proceed as follows.

Drilling in wood

When drilling in wood, the best results are obtained with wood drills equipped with a guide screw. The guide screw makes drilling easier by pulling the bit into the workpiece.

Drilling in metal

To prevent the bit from slipping when starting a hole, make an indentation with a center-punch and hammer at the point to be drilled. Place the point of the bit in the indentation and start drilling.

Use a cutting lubricant when drilling metals. The exceptions are iron and brass which should be drilled dry.

CAUTION:

- Pressing excessively on the tool will not speed up the drilling. In fact, this excessive pressure will only serve to damage the tip of your bit, decrease the tool performance and shorten the service life of the tool.
- There is a tremendous force exerted on the tool/bit at the time of hole break through. Hold the tool firmly and exert care when the bit begins to break through the workpiece.
- A stuck bit can be removed simply by setting the reversing switch to reverse rotation in order to back out. However, the tool may back out abruptly if you do not hold it firmly.
- Always secure small workpieces in a vise or similar hold-down device.
- If the tool is operated continuously until the battery cartridge has discharged, allow the tool to rest for 15 minutes before proceeding with a fresh battery.

Using the tool as a hand screwdriver (Fig. 11)

Switch off the tool.

Move the lock button to the locked position A.

Turn the tool.

NOTE:

- Use the tool with a fastening torque less than 12.5 Nm (127 kgf.cm).
- This use is convenient for checking the screwdriving.
- Do not use the tool for work requiring excessive force, such as tightening bolt or removing rusted screws.

Using holster

CAUTION:

- Do not use for tools such as a drill with a bit installed on them.
- Turn off a tool and wait until it comes to a complete stop before placing in the holster. Be sure to close the holster securely so that it holds the tool firmly.

Thread a waist belt or similar through holster holder.

Put the tool in the holster and lock it with the holster button. (Fig. 12 & 13)

Two bits can be retained at the front of holster. (Fig. 14)

MAINTENANCE

CAUTION:

- Always be sure that the tool is switched off and the battery cartridge is removed before attempting to perform inspection or maintenance.

To maintain product SAFETY and RELIABILITY, repairs, any other maintenance or adjustment should be performed by Makita Authorized Service Centers, always using Makita replacement parts.

ACCESSORIES

CAUTION:

- These accessories or attachments are recommended for use with your Makita tool specified in this manual. The use of any other accessories or attachments might present a risk of injury to persons. Only use accessory or attachment for its stated purpose.

If you need any assistance for more details regarding these accessories, ask your local Makita Service Center.

- Drill bits
- Screw bits
- Socket bits
- Bit piece
- Various type of Makita genuine batteries and chargers
- Holster
- Plastic carrying case

For European countries only

Noise

ENG103-1

The typical A-weighted noise level determined according to EN60745-2-1:

Sound pressure level (L_{pA}): 70 dB (A) or less

The noise level under working may exceed 85 dB (A)

Wear ear protection

Vibration

ENG202-1

The vibration total value (tri-axial vector sum) determined according to EN60745-2-1:

Work mode: Drilling into metal

Vibration emission ($a_{h,D}$): 2.5 m/s² or less

EC-DECLARATION OF CONFORMITY

ENH102-7

Model: DF030D

We declare under our sole responsibility that this product is in compliance with the following standards of standardized documents;

EN60745, EN55014 in accordance with Council Directives, 2004/108/EC, 98/37/EC.

CE 2007



Tomoyasu Kato
Director

Responsible Manufacturer:

Makita Corporation

3-11-8, Sumiyoshi-cho, Anjo, Aichi, JAPAN

Authorized Representative in Europe:

Makita International Europe Ltd.

Michigan Drive, Tongwell, Milton Keynes, Bucks MK15 8JD, ENGLAND

Descriptif

- | | | |
|-------------|------------------------------------|---------------------|
| 1. Bouton | 5. Levier de l'inverseur | 9. Index |
| 2. Batterie | 6. Levier de changement de vitesse | 10. Foret |
| 3. Gâchette | 7. Bague de réglage | 11. Manchon |
| 4. Lampe | 8. Graduation | 12. Partie d'embout |

SPÉCIFICATIONS

Modèle		DF030D
Capacités	Acier	10 mm
	Bois	21 mm
	Vis à bois	5,1 mm x 63 mm
	Vis de mécanique	M6
Vitesse à vide (min ⁻¹)	Élevée (2)	0 - 1 300
	Basse (1)	0 - 350
Capacité mandrin		6,35 mm
Longueur totale		157 mm
Poids net		0,88 kg
Tension nominale		C.C. 10,8 V

- Étant donné l'évolution constante de notre programme de recherche et de développement, les spécifications contenues dans ce manuel sont sujettes à des modifications sans préavis.
- Remarque : Les spécifications peuvent varier d'un pays à l'autre.

Symboles

ENE004-2

Les symboles utilisés pour l'outil sont indiqués ci-dessous. Assurez-vous d'avoir bien compris leur signification avant d'utiliser l'outil.



..... Reportez-vous au manuel d'instructions.

Utilisations

ENE034-1

L'outil est conçu pour percer et visser dans le bois, le métal et le plastique.

CONSIGNES DE SÉCURITÉ SPÉCIFIQUES

GEB002-2

NE vous laissez PAS tromper (au fil d'une utilisation répétée) par un sentiment d'aisance et de familiarité avec le produit, en négligeant le respect rigoureux des consignes de sécurité qui accompagnent la perceuse. Si vous n'utilisez pas cet outil électrique de façon sûre ou adéquate, vous courez un risque de blessure grave.

1. **Saisissez les outils électriques par leurs surfaces de poigne isolées lorsque vous effectuez une opération au cours de laquelle l'outil tranchant peut entrer en contact avec des fils cachés ou avec son propre cordon d'alimentation.** Le contact avec un fil sous tension mettra les parties métalliques exposées de l'outil sous tension, causant ainsi un choc électrique chez l'utilisateur.
2. **Assurez-vous toujours d'une bonne position d'équilibre. Assurez-vous que personne ne se trouve dessous lorsque vous utilisez l'outil en position élevée.**
3. **Tenez l'outil fermement.**

8

4. **Gardez les mains éloignées des pièces en rotation.**

5. **N'abandonnez pas l'outil alors qu'il tourne. Ne faites fonctionner l'outil qu'une fois que vous l'avez bien en main.**

6. **Ne touchez ni le foret ni la pièce immédiatement après la coupe ; ils risquent d'être extrêmement chauds et de vous brûler la peau.**

7. **Certains matériaux contiennent des produits chimiques qui peuvent être toxiques. Prenez les précautions nécessaires pour ne pas inhaler les poussières qu'ils dégagent et pour éviter tout contact avec la peau. Conformez-vous aux consignes de sécurité du fabricant du matériau.**

CONSERVEZ CES INSTRUCTIONS.**AVERTISSEMENT :**

Une **UTILISATION INCORRECTE** de l'outil ou un non-respect des consignes de sécurité indiquées dans ce manuel d'instructions peuvent causer des blessures graves.

CONSIGNES DE SÉCURITÉ IMPORTANTES

ENC007-2

POUR LA BATTERIE

1. **Avant d'utiliser la batterie, veuillez lire toutes les instructions et tous les avertissements inscrits sur (1) le chargeur, (2) la batterie et (3) l'appareil alimenté par la batterie.**
2. **Ne démontez pas la batterie.**

3. **Cessez immédiatement l'utilisation si le temps de fonctionnement devient excessivement court. Il y a risque de surchauffe et de brûlures, voire d'explosion.**
4. **Si l'électrolyte pénètre dans vos yeux, rincez-les à l'eau claire et consultez immédiatement un médecin. Il y a risque de perte de la vue.**
5. **Évitez de court-circuiter la batterie :**
 - (1) **Ne touchez les bornes avec aucun matériau conducteur.**
 - (2) **Éviter de ranger la batterie dans un contenant où se trouvent d'autres objets métalliques tels que clous, pièces de monnaie, etc.**
 - (3) **N'exposez pas la batterie à l'eau ou à la pluie. Un court-circuit de la batterie risque de provoquer un fort courant, une surchauffe, parfois des brûlures et même une panne.**
6. **Ne rangez pas l'outil ou la batterie dans des endroits où la température risque d'atteindre ou de dépasser 50 °C (122 °F).**
7. **Ne jetez pas la batterie au feu même si elle est sérieusement endommagée ou complètement épuisée. La batterie peut exploser au contact du feu.**
8. **Prenez garde d'échapper ou de heurter la batterie.**

CONSERVEZ CES INSTRUCTIONS.

Conseils pour assurer la durée de vie optimale de la batterie

1. **Rechargez la batterie avant qu'elle ne soit complètement épuisée. Arrêtez toujours l'outil et rechargez la batterie quand vous constatez que la puissance de l'outil diminue.**
2. **Ne rechargez jamais une batterie complètement chargée. La surcharge réduit la durée de service de la batterie.**
3. **Chargez la batterie alors que la température de la pièce se trouve à l'intérieur d'une plage de 10 °C à 40 °C (50 °F à 104 °F). Avant de charger une batterie chaude, laissez-la refroidir.**

DESCRIPTION DU FONCTIONNEMENT

ATTENTION :

- Veillez toujours à ce que l'appareil soit éteint et la batterie déposée avant d'effectuer des réglages ou des contrôles sur le fonctionnement de l'appareil.

Installation et retrait de la batterie (Fig. 1)

- Mettez toujours l'outil hors tension avant d'insérer ou de retirer la batterie.
- Pour déposer la batterie, retirez-la de l'outil en appuyant sur les boutons situés de chaque côté de la batterie.
- Pour insérer la batterie, la tenir de sorte que la forme de l'avant de la batterie s'ajuste à celle de l'ouverture aménagée de la batterie et glisser-la en position. Insérez-la toujours bien à fond, jusqu'à ce qu'elle se verrouille en émettant un léger clic. Sinon, la batterie

risque de tomber accidentellement de l'outil, en vous blessant ou en blessant une personne se trouvant près de vous.

- N'appliquez pas une force excessive lors de l'insertion de la batterie. Si la batterie ne glisse pas aisément, c'est qu'elle n'est pas insérée correctement.

Interrupteur (Fig. 2)

ATTENTION :

- Avant d'insérer la batterie dans l'outil, vérifiez toujours que la gâchette fonctionne bien et revient en position d'arrêt lorsqu'elle est relâchée.

Pour mettre l'outil en marche, appuyez simplement sur la gâchette. La vitesse de l'outil augmente à mesure que l'on accroît la pression exercée sur la gâchette. Pour l'arrêter, relâchez la gâchette.

Allumage de la lampe avant (Fig. 3)

ATTENTION :

- Ne regardez pas directement la lumière ou la source de lumière.

Appuyez sur la gâchette pour allumer la lampe. La lampe demeure allumée tant que la pression sur la gâchette est maintenue. La lampe s'éteint 10 à 15 secondes après la libération de la gâchette.

REMARQUE :

- Utilisez un chiffon sec pour essuyer les saletés qui recouvrent la lentille de la lampe. Prenez garde de rayer la lentille de la lampe, sinon sa capacité d'éclairage sera affectée.

Marche arrière (Fig. 4)

L'outil possède un inverseur qui permet de changer le sens de rotation. Appuyez sur le levier de l'inverseur par le côté A pour une rotation dans le sens des aiguilles d'une montre, ou par le côté B pour une rotation en sens inverse.

La pression sur la gâchette n'est pas possible lorsque le levier de l'inverseur se trouve en position neutre.

ATTENTION :

- Vérifiez toujours le sens de rotation avant de mettre l'outil en marche.
- N'actionnez l'inverseur qu'une fois l'outil complètement arrêté. Si vous changez le sens de rotation de l'outil avant l'arrêt de l'outil, vous risquez de l'endommager.
- Lorsque vous n'utilisez pas l'outil, placez toujours le levier de l'inverseur en position neutre.

Changement de vitesse (Fig. 5)

Pour changer de vitesse, commencez par éteindre l'outil, puis déplacez le levier de changement de vitesse sur le côté "2" pour faire marcher l'outil à grande vitesse, ou sur le côté "1" pour le faire marcher à vitesse réduite. Vérifiez que le levier de changement de vitesse est réglé sur la bonne position avant de commencer le travail. Utilisez la vitesse qui convient pour le travail à effectuer.


ATTENTION :


- Placez toujours parfaitement le levier de changement de vitesse sur la position correcte. Si vous faites fonctionner l'outil avec le levier de changement de vitesse situé à mi-course entre le côté "1" et le côté "2", il risque d'être endommagé.

- N'actionnez pas le levier de changement de vitesse pendant que l'outil fonctionne. Vous pourriez endommager l'outil.

sera pas sécurisé. Dans ce cas, essayez de ré-insérer l'embout selon les instructions ci-dessus.

Réglage du couple de serrage (Fig. 6)

Le couple de serrage peut être ajusté sur l'une ou l'autre de 18 positions en tournant la bague de réglage de sorte que ses graduations s'alignent sur l'index du carter de l'outil. Le couple de serrage est minimal lorsque le numéro 1 est aligné sur l'index, et maximal lorsque l'indication  est alignée sur l'index.

L'embrayage glissera à des niveaux de serrage variés quand vous réglez le nombre de 1 à 18. L'embrayage est conçu pour ne pas glisser à  l'index.

Avant de commencer véritablement votre travail, enfoncez une vis d'essai dans le matériau ou dans une pièce similaire afin d'identifier le couple de serrage requis pour une utilisation donnée.

ASSEMBLAGE

ATTENTION :

- Assurez-vous toujours que l'outil est hors tension et que la batterie est retirée avant d'effectuer toute intervention sur l'outil.

Pour installer ou retirer l'embout ou le foret (Fig. 7)

N'utilisez que des forets qui ont une partie qui s'insère comme illustré sur la figure.

Pour les pays d'Amérique du nord et du sud et européens, l'Australie et la Nouvelle-Zélande

A = 12 mm B = 9 mm	N'utilisez que ces types de forets. Suivre la procédure (1). (Remarque) la partie d'embout n'est pas nécessaire.
-----------------------	--

Pour les autres pays

A = 17 mm B = 14 mm	Pour installer ces types de foret suivez la procédure (1). (Remarque) les forets Makita sont ces types
A = 12 mm B = 9 mm	Pour installer ces types de foret suivez la procédure (2). (Remarque) la partie d'embout est nécessaire pour installer l'embout

- Pour installer l'embout, tirez le manchon dans le sens de la flèche et insérez l'embout dans le manchon aussi profondément que possible. Relâchez ensuite le manchon pour sécuriser l'embout. (Fig. 8)
- Pour installer l'embout, tirez le manchon dans le sens de la flèche et insérez l'embout dans le manchon aussi profondément que possible. La pièce d'embout doit être insérée dans le manchon avec son extrémité pointée face à l'entrée. Puis libérer le manchon pour serrer l'embout. (Fig. 9)

Pour enlever l'embout, tirer le manchon dans le sens de la flèche et tirer-le avec fermeté.

REMARQUE :

- Si l'embout n'est pas inséré suffisamment profondément dans le manchon, ce dernier ne retournera pas à sa position d'origine et l'embout ne

UTILISATION

ATTENTION :

- Insérez toujours la batterie bien à fond, jusqu'à ce qu'elle se verrouille en place. Si vous pouvez voir la partie rouge sur la face supérieure du bouton, la batterie n'est pas parfaitement verrouillée. Insérez-la à fond, jusqu'à ce que la partie rouge ne soit plus visible. Sinon, la batterie risque de tomber accidentellement de l'outil, en vous blessant ou en blessant une personne se trouvant près de vous.

Tenez l'outil fermement avec une main sur la poignée et l'autre sous la batterie, pour maîtriser le mouvement de torsion.

Vissage (Fig. 10)

ATTENTION :

- Ajustez la bague de réglage sur le niveau de couple qui convient au travail à effectuer.

Placez la pointe de l'embout dans la tête de vis et appliquez une pression sur l'outil. Faites démarrer l'outil à vitesse réduite puis augmentez graduellement la vitesse. Libérez la gâchette dès que l'embrayage s'active.

ATTENTION :


- Assurez-vous que l'embout se trouve inséré bien droit dans la tête de vis, faute de quoi la vis et/ou l'embout risquent d'être endommagés.

REMARQUE :

- Quand vous vissez des vis à bois, le perçage de trous-pilotes rendra votre tâche plus aisée et empêchera que le matériau ne se fende. Consultez le tableau.

Diamètre nominal des vis à bois (mm)	Taille recommandée pour les trous-pilotes (mm)
3,1	2,0 - 2,2
3,5	2,2 - 2,5
3,8	2,5 - 2,8
4,5	2,9 - 3,2
4,8	3,1 - 3,4
5,1	3,3 - 3,6
5,5	3,7 - 3,9
5,8	4,0 - 4,2
6,1	4,2 - 4,4

Perçage

Tournez d'abord la bague de réglage de sorte que l'index pointe sur l'indication . Procédez ensuite comme suit.

Perçage du bois

Pour percer dans le bois, vous obtiendrez de meilleurs résultats avec un foret à bois doté d'une vis de guidage. La vis de guidage facilite le perçage en entraînant le foret dans la pièce.

Perçage du métal

Pour que le foret ne glisse pas hors du trou lorsque vous commencez à le percer, faites une entaille à l'aide d'un pointeau et d'un marteau à l'emplacement prévu pour le

perçage. Placez la pointe du foret dans l'entaille et commencez à percer.
Lorsque vous percez du métal, utilisez un lubrifiant de coupe. Seuls le fer et le laiton font exception et doivent être percés à sec.

ATTENTION :

- Une pression excessive sur l'outil n'accélère pas le perçage. En fait, une pression excessive endommagera le bout du foret, réduira l'efficacité de l'outil et raccourcira sa durée de vie.
- Une force énorme s'exerce sur l'outil et le foret lorsque ce dernier sort par la face opposée de la pièce. Tenez l'outil fermement et faites bien attention lorsque le foret se met à sortir par la face opposée de la pièce.
- Un foret coincé peut être retiré en réglant simplement l'inverseur sur la rotation inverse pour faire marche arrière. L'outil peut toutefois faire brusquement marche arrière si vous ne le tenez pas fermement.
- Immobilisez toujours les petites pièces à travailler dans un étai ou un dispositif de fixation similaire.
- Si l'outil a fonctionné de façon continue jusqu'à ce que la batterie soit épuisée, laissez-le reposer pendant 15 minutes avant de poursuivre avec une batterie fraîche.

Utilisation de l'outil comme un tournevis à main (Fig. 11)

Mettez hors tension l'outil
Déplacez le bouton de verrouillage à la position verrouillée A.
Tournez l'outil.

REMARQUE :

- Utilisez l'outil avec un couple de serrage de 12,5 Nm (127 kgf.cm).
- Cette utilisation est commode pour la vérification du vissage.
- Ne pas utiliser l'outil pour du travail requérant une force excessive tel que serrer une vis ou enlever des vis rouillées.

Utilisation de l'étui

ATTENTION :

- Ne pas utiliser pour des outils tels qu'une perceuse avec un embout installé dessus.
- Mettez hors tension l'outil et attendez jusqu'à ce qu'il s'arrête complètement avant de le mettre dans l'étui. Assurez-vous de fermer l'étui de manière sécurisée de sorte qu'il tienne l'outil fermement.

Enfilez une ceinture pour la taille ou similaire à travers le porte-étui.
Mettez l'outil dans l'étui et verrouillez-le avec le bouton de l'étui. (Fig. 12 et 13)
Deux forets peuvent être gardés sur le devant de l'étui. (Fig. 14)

MAINTENANCE

ATTENTION :

- Assurez-vous toujours que l'outil est hors tension et que la batterie est retirée avant d'y effectuer tout travail d'inspection ou d'entretien.

Pour assurer la SÉCURITÉ et la FIABILITÉ du produit, toute réparation et tout travail d'entretien ou de réglage

doivent être effectués par un Centre de service après-vente agréé Makita, avec des pièces de rechange Makita.

ACCESSOIRES

ATTENTION :

- Ces accessoires ou pièces complémentaires sont recommandés pour l'utilisation avec l'outil Makita spécifié dans ce manuel. L'utilisation de tout autre accessoire ou pièce complémentaire comporte un risque de blessures. Utilisez uniquement l'accessoire ou la pièce complémentaire dans le but spécifié.

Pour obtenir plus de détails sur ces accessoires, contactez un Centre de service après-vente local Makita.

- Forets
- Embouts
- Embouts à douille
- Partie d'embout
- Divers types de batteries et chargeurs de marque Makita.
- Holster
- Étui en plastique

Pour les pays européens uniquement

Bruit ENG103-1

Les niveaux de bruit pondéré A typiques ont été mesurés selon la norme EN60745-2-1 :

Niveau de pression sonore (L_{pA}) : 70 dB (A) ou moins

Le niveau de bruit peut dépasser 85 dB (A) lors de l'utilisation.

Porter des protections pour les oreilles

Vibration ENG202-1

La valeur totale de vibration (somme du vecteur triaxial) déterminée selon EN60745-2-1 :

Mode de fonctionnement : Pourcentage dans du métal
Emission de vibrations ($a_{h,D}$) : 2,5 m/s² ou moins

DÉCLARATION DE CONFORMITÉ CE ENH102-7

Modèle ; DF300D

Nous déclarons, sous notre entière responsabilité, que ce produit répond aux normes suivantes de documents normalisés :

EN60745, EN55014 conformément aux Directives du Conseil, 2004/108/EC, 98/37/EC.

CE 2007



Tomoyasu Kato
Directeur

Fabricant responsable :

Makita Corporation

3-11-8, Sumiyoshi-cho, Anjo, Aichi, JAPAN

Représentant agréé en Europe :

Makita International Europe Ltd.

Michigan Drive, Tongwell, Milton Keynes, Bucks MK15 8JD, ENGLAND

Erklärung der Gesamtdarstellung

- | | | |
|---------------------|------------------------------------|-----------------|
| 1. Taste | 5. Umschalthebel | 9. Zeiger |
| 2. Akkublock | 6. Hebel zur Änderung der Drehzahl | 10. Einsatz |
| 3. Ein/Aus-Schalter | 7. Justierungsring | 11. Kranz |
| 4. Lampe | 8. Einteilung | 12. Einsatzteil |

TECHNISCHE DATEN

Modell		DF030D
Leistungen	Stahl	10 mm
	Holz	21 mm
	Holzschraube	5,1 mm x 63 mm
	Maschinenschraube	M6
Leerlaufdrehzahl (U/min ⁻¹)	Hoch (2)	0 - 1.300
	Niedrig (1)	0 - 350
Bohrfutter-Aufnahme		6,35 mm
Gesamtlänge		157 mm
Nettogewicht		0,88 kg
Nennspannung		10,8 V Gleichspannung

- Aufgrund unserer weiterführenden Forschungen und Entwicklungen sind Änderungen an den hier angegebenen Technischen Daten ohne Vorankündigung vorbehalten.
- Hinweis: Die Technischen Daten können in einzelnen Ländern voneinander abweichen.

Symbole END004-2
 Im Folgenden sind die im Zusammenhang mit diesem Werkzeug verwendeten Symbole dargestellt. Machen Sie sich vor der Benutzung des Werkzeugs unbedingt mit diesen Symbolen vertraut.



.....Lesen Sie die vorliegende Betriebsanleitung.

Verwendungszweck ENE034-1
 Das Werkzeug wurde für das Bohren und Schrauben in Holz, Metall und Kunststoff entwickelt.

BESONDERE SICHERHEITSGESETZE GEB002-2

Lassen Sie sich **NIE** durch Bequemlichkeit oder (aus fortwährendem Gebrauch gewonnener) Vertrautheit mit dem Gerät dazu verleiten, die Sicherheitsregeln für das Gerät zu missachten. Wenn dieses Elektrowerkzeug fahrlässig oder nicht ordnungsgemäß verwendet wird, kann es zu schweren Personenschäden kommen.

1. Halten Sie das Elektrowerkzeug an den isolierten Griffflächen, wenn Sie unter Bedingungen arbeiten, bei denen das Schneidwerkzeug versteckte Verkabelung oder das eigene Kabel berühren kann. Der Kontakt mit einem Strom führenden Kabel leitet diesen an die metallenen Teile des Werkzeugs weiter und verursacht einen Stromschlag beim Bediener.
2. Achten Sie jederzeit auf einen festen Stand. Achten Sie darauf, dass sich niemand unter Ihrem Standort befindet, wenn Sie das Werkzeug an erhöhten Orten verwenden.

3. Halten Sie das Werkzeug mit festem Griff.
4. Halten Sie Ihre Hände von den beweglichen Teilen fern.
5. Lassen Sie das Werkzeug nicht unbeaufsichtigt eingeschaltet. Das Werkzeug darf nur dann eingeschaltet sein, wenn es festgehalten wird.
6. Berühren Sie kurz nach dem Betrieb nicht den Bohreinsatz oder das Werkstück. Diese können extrem heiß sein und zu Verbrennungen führen.
7. Einige Materialien enthalten Chemikalien, die giftig sein können. Vermeiden Sie das Einatmen von Staub und den Kontakt mit der Haut. Befolgen Sie die Sicherheitshinweise des Materialherstellers.

BEWAHREN SIE DIESE ANWEISUNGEN SORGFÄLTIG AUF.

WARNUNG:
 MISSBRAUCH der Werkzeugs oder Missachtung der in diesem Handbuch enthaltenen Sicherheitshinweise können zu schweren Personenschäden führen.

WICHTIGE SICHERHEITSGESETZE

ENC007-2

FÜR AKKUBLOCK

1. Lesen Sie vor der Verwendung des Akkublocks alle Anweisungen und Sicherheitshinweise für das Akkuladegerät (1), den Akku (2) und das Produkt (3), für das der Akku verwendet wird.
2. Der Akkublock darf nicht zerlegt werden.

3. Falls die Betriebsdauer erheblich kürzer wird, beenden Sie den Betrieb umgehend. Andernfalls besteht die Gefahr einer Überhitzung sowie das Risiko möglicher Verbrennungen und sogar einer Explosion.
 4. Wenn Elektrolyt in Ihre Augen gerät, waschen Sie diese mit klarem Wasser aus und suchen Sie sofort einen Arzt auf. Andernfalls können Sie Ihre Augenlicht verlieren.
 5. Vermeiden Sie einen Kurzschluss des Akkublocks:
 - (1) Die Kontakte dürfen nicht mit leitendem Material in Berührung kommen.
 - (2) Der Akkublock darf nicht in einem Behälter aufbewahrt werden, in dem sich andere metallische Gegenstände wie beispielsweise Nägel, Münzen usw. befinden.
 - (3) Der Akkublock darf weder Feuchtigkeit noch Regen ausgesetzt werden. Ein Kurzschluss des Akkus kann zu hohem Kriechstrom, Überhitzung, möglichen Verbrennungen und sogar zu einer Zerstörung des Geräts führen.
 6. Werkzeug und Akkublock dürfen nicht an Orten aufbewahrt werden, an denen die Temperatur 50°C oder höher erreichen kann.
 7. Selbst wenn der Akkublock schwer beschädigt oder völlig verbraucht ist, darf er nicht angezündet werden. Der Akkublock kann in den Flammen explodieren.
 8. Lassen Sie den Akku nicht fallen und vermeiden Sie Schläge gegen den Akku.
- Zum Entfernen des Akkublocks müssen Sie diesen aus dem Gerät herausziehen, während Sie die Tasten an beiden Seiten des Blocks drücken.
 - Zum Einsetzen des Akkublocks setzen Sie den Akkublock mit der Vorderseite passgerecht auf die Öffnung des Akkufachs auf und schieben Sie den Akkublock in seine Position. Setzen Sie den Block immer ganz ein, bis er mit einem Klick einrastet. Andernfalls kann der Block versehentlich aus dem Werkzeug fallen und Sie oder Personen in der Nähe verletzen.
 - Wenden Sie beim Einsetzen des Akkublocks keine Gewalt an. Wenn der Block nicht leicht hineingleitet, wird er nicht richtig eingesetzt.

Bedienung des Schalters (Abb. 2)

ACHTUNG:

- Achten Sie vor dem Einsetzen des Akkublocks in das Werkzeug darauf, dass sich der Ein/Aus-Schalter korrekt bedienen lässt und beim Loslassen in die Position „OFF“ (AUS) zurückkehrt.

Betätigen Sie zum Starten des Werkzeugs einfach den Ein/Aus-Schalter. Die Drehzahl des Werkzeugs wird durch erhöhten Druck auf den Ein/Aus-Schalter gesteigert. Lassen Sie zum Ausschalten des Werkzeugs den Ein/Aus-Schalter los.

Einschalten der Frontlampe (Abb. 3)

ACHTUNG:

- Schauen Sie nicht direkt in das Licht oder in die Lichtquelle.

Ziehen Sie zum Einschalten der Lampe den Ein/Aus-Schalter. Solange Sie den Ein/Aus-Schalter gezogen halten, leuchtet die Lampe. Nach dem Loslassen des Ein/Aus-Schalters erlischt die Lampe nach 10 bis 15 Sekunden.

HINWEIS:

- Wischen Sie Schmutz auf der Lampenlinse mit einem trockenen Tuch ab. Achten Sie darauf, die Lampenlinse nicht zu zerkratzen, da dies die Beleuchtungsstärke mindern kann.

Bedienung des Umschalters (Abb. 4)

Dieses Werkzeug verfügt über einen Umschalter, mit dem die Drehrichtung geändert werden kann. Für eine Drehbewegung im Uhrzeigersinn muss der Umschalthebel von der Seite A nach unten gedrückt werden und für eine Drehbewegung gegen den Uhrzeigersinn von der Seite B. Wenn sich der Umschalthebel in der neutralen Position befindet, kann der Auslöser nicht gezogen werden.

ACHTUNG:

- Überprüfen Sie vor jedem Betrieb immer die Drehrichtung.
- Der Umschalter darf nur betätigt werden, wenn das Werkzeug ganz angehalten wurde. Wenn Sie die Drehrichtung ändern, solange das Werkzeug noch läuft, kann es beschädigt werden.
- Ist das Werkzeug immer in Gebrauch, muss der Umschalthebel immer auf die neutrale Position gestellt werden.

BEWAHREN SIE DIESE ANWEISUNGEN SORGFÄLTIG AUF.

Tipps für den Erhalt der maximalen Akkublock-Nutzungsdauer

1. Laden Sie den Akkublock auf, bevor er ganz entladen ist. Beenden Sie stets den Betrieb des Werkzeugs und laden Sie den Akkublock auf, sobald Sie eine verringerte Werkzeugleistung bemerken.
2. Ein voll aufgeladener Akkublock darf niemals erneut geladen werden. Durch Überladungen wird die Lebensdauer des Akkus verkürzt.
3. Der Akkublock muss bei einer Zimmertemperatur zwischen 10°C und 40°C aufgeladen werden. Lassen Sie einen heißen Akkublock vor dem Aufladen abkühlen.

FUNKTIONSBESCHREIBUNG

ACHTUNG:

- Schalten Sie das Werkzeug stets aus und entfernen Sie den Akkublock, bevor Sie Einstellungen oder eine Funktionsprüfung des Werkzeugs vornehmen.

Montage und Demontage des Akkublocks (Abb. 1)

- Schalten Sie das Werkzeug stets aus, bevor Sie den Akkublock einsetzen oder entfernen.


Änderung der Drehzahl (Abb. 5)


Schalten Sie zum Ändern der Drehzahl zunächst das Werkzeug aus, und schieben Sie dann den Hebel zur Änderung der Drehzahl auf „2“ (hohe Drehzahl) oder „1“ (niedrige Drehzahl). Überprüfen Sie vor dem Betrieb des Werkzeugs, ob sich der Hebel zur Änderung der Drehzahl in der richtigen Position befindet. Verwenden Sie die für Ihre Arbeit geeignete Drehzahl.

ACHTUNG:

- Stellen Sie den Hebel zur Änderung der Drehzahl immer ganz in die richtige Position. Wenn Sie das Werkzeug betreiben und sich dieser Hebel zwischen der Einstellung „1“ und „2“ befindet, kann das Werkzeug beschädigt werden.
- Der Hebel zur Änderung der Drehzahl darf nicht betätigt werden, solange das Werkzeug in Betrieb ist. Andernfalls kann das Werkzeug beschädigt werden.

Einstellen des Anzugsdrehmoments (Abb. 6)

Das Anzugsdrehmoment kann in 18 Stufen eingestellt werden, indem der Justierungsring so gedreht wird, dass seine Einteilungsschritte am Zeiger auf dem Werkzeugkörper ausgerichtet sind. Das Anzugsdrehmoment ist minimal eingestellt, wenn die Zahl 1 am Zeiger ausgerichtet ist, und maximal, wenn die Markierung  am Zeiger ausgerichtet ist.

Wenn eine Zahl zwischen 1 und 18 eingestellt ist, rutscht die Kupplung an verschiedenen Drehmomentstufen durch. Die Kupplung ist so konzipiert, dass sie an der Markierung  nicht durchrutscht.

Schrauben Sie vor dem eigentlichen Betrieb eine Probeschraube in Ihr Material bzw. in ein Materialduplikat, um zu ermitteln, welche Drehmomentstufe für eine bestimmte Anwendung erforderlich ist.

MONTAGE

ACHTUNG:

- Schalten Sie das Werkzeug stets aus und entfernen Sie den Akkublock, bevor Sie Arbeiten am Werkzeug ausführen.

Einsetzen oder Entfernen des Dreh- oder Steckesatzes (Abb. 7)

Verwenden Sie ausschließlich Einsätze mit einem in der Abbildung dargestellten Montagekopf.

Für Europa, Nord- und Süd-Amerika, Australien und Neuseeland

A = 12 mm B = 9 mm	Verwenden Sie nur diese Art von Einsatz. Befolgen Sie die Vorgehensweise (1). (Hinweis) Einsatzteil ist nicht notwendig.
-----------------------	--

Für andere Länder

A = 17 mm B = 14 mm	Zum Einsetzen dieser Art von Einsätzen befolgen Sie die Vorgehensweise (1). (Hinweis) Makita-Einsätze sind von dieser Art.
A = 12 mm B = 9 mm	Zum Einsetzen dieser Art von Einsätzen befolgen Sie die Vorgehensweise (2). (Hinweis) Einsatzteil ist zum Einsetzen des Einsatzes erforderlich.

1. Ziehen Sie den Kranz zum Einbauen des Einsatzes in Richtung des Pfeils und setzen Sie den Einsatz bis zum Anschlag in den Kranz ein. Lassen Sie den Kranz los, um den Einsatz zu sichern. **(Abb. 8)**
2. Ziehen Sie den Kranz zum Einbauen des Einsatzes in Richtung des Pfeils und setzen Sie das Einsatzteil und den Einsatz bis zum Anschlag in den Kranz ein. Das Einsatzteil muss in den Kranz mit der Spitze einwärts eingesetzt werden. Lassen Sie dann den Kranz zur Sicherung des Einsatzes los. **(Abb. 9)**

Ziehen Sie den Kranz zum Entfernen des Einsatzes in Pfeilrichtung, und ziehen Sie den Einsatz heraus.

HINWEIS:

- Falls der Einsatz nicht tief genug in den Kranz eingesetzt wurde, kehrt der Kranz nicht in seine Ursprungsposition zurück und der Einsatz ist nicht gesichert. Setzen Sie in diesem Fall den Einsatz anhand den obigen Anweisungen erneut ein.

BETRIEB

ACHTUNG:

- Schieben Sie den Akkublock stets vollständig ein, bis er einrastet. Wenn Sie den roten Bereich oben auf der Taste sehen können, ist der Block nicht ganz eingerastet. Setzen Sie den Akku ganz ein, bis der rote Bereich nicht mehr zu sehen ist. Andernfalls kann der Block versehentlich aus dem Werkzeug fallen und Sie oder Personen in der Nähe verletzen.

Halten Sie das Werkzeug gut mit einer Hand am Griff und der anderen Hand unten am Akkublock fest, um die Drehbewegung kontrollieren zu können.

Schraubendreherbetrieb (Abb. 10)

ACHTUNG:

- Stellen Sie den Justierungsring auf die für Ihre Arbeit geeignete Drehmomentstufe. Setzen Sie die Spitze des Dreheinsatzes in den Schraubenkopf, und üben Sie Druck auf das Werkzeug aus. Starten Sie das Werkzeug langsam, und erhöhen Sie nach und nach die Geschwindigkeit. Lassen Sie den Schalter los, sobald die Kupplung greift.

ACHTUNG:


- Vergewissern Sie sich, dass der Dreheinsatz gerade im Schraubenkopf sitzt. Andernfalls kann die Schraube und/oder der Einsatz beschädigt werden.

HINWEIS:

- Bohren Sie beim Eindrehen von Holzschrauben Löcher für die Schrauben vor, damit das Drehen vereinfacht wird und das Werkstück nicht splittert. Siehe Tabelle.

Nennendurchmesser der Holzschraube (mm)	Empfohlene Größe des vorgebohrten Lochs (mm)
3,1	2,0 - 2,2
3,5	2,2 - 2,5
3,8	2,5 - 2,8
4,5	2,9 - 3,2
4,8	3,1 - 3,4
5,1	3,3 - 3,6
5,5	3,7 - 3,9
5,8	4,0 - 4,2
6,1	4,2 - 4,4

Bohrbetrieb

Drehen Sie zunächst den Justierungsring so, dass der Zeiger auf die Markierung  gerichtet ist. Gehen Sie anschließend wie folgt vor.

Bohren in Holz

Beim Bohren in Holz werden die besten Ergebnisse mit Holzbohrern erzielt, die mit einer Leitspindel ausgestattet sind. Die Leitspindel vereinfacht den Bohrprozess, indem sie den Bohrer in das Werkstück zieht.

Bohren in Metall

Damit der Bohrer beim Beginn einer Lochbohrung nicht abrutscht, können Sie die Bohrung an den Punkt vor, an dem gebohrt werden soll. Setzen Sie die Spitze des Bohrers in die Einkerbung, und starten Sie den Bohrvorgang.

Verwenden Sie beim Bohren in Metall einen Schneideschmierstoff. Ausgenommen hiervon sind Eisen und Messing; diese Metalle sollten trocken gebohrt werden.

ACHTUNG:

- Der Bohrvorgang kann durch übermäßigen Druck auf das Werkzeug nicht beschleunigt werden. Dieser übermäßige Druck beschädigt im Gegenteil die Spitze des Bohrers, vermindert die Leistung des Werkzeugs und verkürzt dessen Lebensdauer.
- Beim Lochdurchschlag wirken enorme Kräfte auf das Werkzeug/den Bohrer. Halten Sie das Werkzeug fest und seien Sie vorsichtig, wenn der Bohrer das Werkstück durchbricht.
- Ein festsitzender Bohrer kann einfach wieder herausgezogen werden, indem die Drehrichtung mit dem Umschalter geändert wird. Es kann jedoch zu einem abrupten Rückschlag des Werkzeugs kommen, wenn Sie es nicht ganz fest halten.
- Befestigen Sie kleine Werkstücke immer in einem Schraubstock oder einer ähnlichen Haltevorrichtung.
- Wenn das Werkzeug bis zur vollständigen Entladung des Akkus betrieben wurde, lassen Sie es 15 Minuten liegen, bevor Sie mit einem neuen Akku fortfahren.

Verwenden des Werkzeugs als Handschraubendreher (Abb. 11)

Schalten Sie das Werkzeug aus.

Verschieben Sie die Arretiertaste in die Verriegelungsposition A.

Drehen Sie das Werkzeug.

HINWEIS:

- Verwenden Sie das Werkzeug mit einem Anzugsdrehmoment unter 12,5 Nm.
- Dieser ist nützlich zur Überprüfung des Schraubendrehens.
- Verwenden Sie das Werkzeug nicht für Arbeiten, die sehr viel Kraft benötigen, wie z.B. Anziehen von Schraubenbolzen oder Lösen von verrosteten Schrauben.

Verwenden eines Halfters

ACHTUNG:

- Stecken Sie das Werkzeug nie mit montiertem Werkzeugsinsatz ein das Halfter.
- Schalten Sie das Werkzeug aus und warten Sie bis zum vollständigen Stillstand, bevor Sie es in das Halfter stecken. Vergewissern Sie sich, dass das Halfter fest verschlossen ist, damit das Werkzeug sicher gehalten wird.

Ziehen Sie einen Gürtel o.ä. durch die Trageschleufe des Halfters.

Stecken Sie das Werkzeug in das Halfter und sichern Sie das Werkzeug, indem Sie die Halterung am Druckknopf schließen. (**Abb. 12 und 13**)

An der Vorderseite des Halfters können zwei Einsätze eingesteckt werden. (**Abb. 14**)

WARTUNG

ACHTUNG:

- Schalten Sie das Werkzeug stets aus und entfernen Sie den Akkublock, bevor Sie Inspektionen oder Wartungsarbeiten am Werkzeug vornehmen.

Um die SICHERHEIT und ZUVERLÄSSIGKEIT des Produkts zu gewährleisten, sollten Reparaturen, Wartungsarbeiten und Einstellungen nur durch von Makita autorisierte Servicecenter durchgeführt und immer Makita-Ersatzteile verwendet werden.

ZUBEHÖR

ACHTUNG:

- Für das in diesem Handbuch beschriebene Makita-Werkzeug werden die folgenden Zubehör- und Zusatzteile empfohlen. Die Verwendung anderer Zubehör- und Zusatzteile kann zu Personenschäden führen. Verwenden Sie Zubehör- und Zusatzteile nur für den vorgesehenen Zweck.

Informationen zu diesem Zubehör erhalten Sie bei einem Makita-Servicecenter in Ihrer Nähe.

- Bohreinsätze
- Schraubendrehereinsätze
- Steckeinsätze
- Bitteil
- Verschiedene Arten von Makita-Originalakkus und -Ladegeräten
- Halfter
- Plastiktragekoffer

Nur für europäische Länder

Schall ENG103-1

Typischer A-bewerteter Schallpegel nach EN60745-2-1:

Schalldruckpegel (L_{pA}): 70 dB (A) oder weniger

Unter Arbeitsbedingungen kann der Geräuschpegel 85 dB (A) überschreiten.

Tragen Sie Gehörschutz.

Schwingung ENG202-1

Schwingungsgesamtwerte (Vektorsumme dreier Achsen) nach EN60745-2-1:

Arbeitsmodus: Bohren in Metall

Schwingungsbelastung ($a_{h,D}$): 2,5 m/s² oder weniger

EG-KONFORMITÄTSERKLÄRUNG ENH102-7

Modell: DF030D

Wir erklären in alleiniger Verantwortung, dass sich dieses Produkt in Übereinstimmung mit den folgenden Normen der Normdokumente EN60745, EN55014 befindet sowie in Übereinstimmung mit den Ratsverordnungen 2004/108/EC, 98/37/EC.

CE 2007



Tomoyasu Kato
Direktor

Verantwortlicher Hersteller:

Makita Corporation

3-11-8, Sumiyoshi-cho, Anjo, Aichi, JAPAN

Autorisierte Vertretung in Europa:

Makita International Europe Ltd.

Michigan Drive, Tongwell, Milton Keynes, Bucks MK15
8JD, ENGLAND

Spiegazione della vista generale

- | | | |
|---------------------------------------|--|----------------------------|
| 1. Pulsante | 6. Leva di commutazione della velocità | 10. Punta |
| 2. Batteria | 7. Anello di regolazione | 11. Manicotto |
| 3. Interruttore | 8. Regolazione | 12. Componente della punta |
| 4. Lampada | 9. Indicatore | |
| 5. Leva di inversione della rotazione | | |

CARATTERISTICHE TECNICHE

Modello		DF030D
Capacità	Acciaio	10 mm
	Legno	21 mm
	Vite per legno	5,1 mm x 63 mm
	Vite per metallo	M6
Velocità a vuoto (min ⁻¹)	Elevata (2)	0 - 1.300
	Bassa (1)	0 - 350
Capacità del mandrino		6,35 mm
Lunghezza totale		157 mm
Peso netto		0,88 kg
Tensione nominale		10,8 V CC

- Le caratteristiche tecniche riportate di seguito sono soggette a modifiche senza preavviso in virtù del nostro programma continuo di ricerca e sviluppo.
- Nota: le caratteristiche tecniche possono differire da paese a paese.

Simboli

END004-2

Il seguente elenco riporta i simboli utilizzati per questo utensile. È importante comprenderne il significato prima di utilizzare l'utensile.



..... Leggere il manuale di istruzioni.

Uso previsto

ENE034-1

Questo utensile è progettato per la foratura e l'avvitatura di viti in materiali come legno, metallo e plastica.

REGOLE SPECIFICHE DI SICUREZZA

GEB002-2

NON lasciare che la familiarità acquisita con il prodotto in seguito all'uso ripetuto sia causa di inosservanza delle regole di sicurezza dell'utensile.

Se l'utensile viene utilizzato in modo improprio o errato, è possibile subire lesioni personali gravi.

- Se si eseguono operazioni in cui l'utensile può toccare fili nascosti o il cavo di alimentazione, impugnare l'utensile utilizzando i punti di presa isolati. Il contatto con un filo in tensione farà sì che le parti metalliche esposte dell'utensile si trovino anch'esse sotto tensione provocando scosse elettriche all'operatore.
- Accertarsi sempre di avere un equilibrio stabile. Controllare che nessuno si trovi sotto all'utensile quando lo si utilizza in posizioni elevate.
- Tenere l'utensile in modo saldo.
- Tenere le mani lontano dalle parti rotanti.
- Non lasciare l'utensile acceso. Azionare l'utensile solo dopo averlo impugnato.

- Non toccare la punta e il pezzo in lavorazione subito dopo aver utilizzato l'utensile in quanto possono raggiungere temperature elevate e provocare ustioni.
- Alcuni materiali contengono prodotti chimici che possono essere tossici. Evitare l'inalazione della polvere e il contatto con la pelle. Attenersi alle istruzioni per la sicurezza del fornitore dei materiali.

CONSERVARE QUESTE ISTRUZIONI.**AVVERTENZA:**

L'USO IMPROPRIO o la mancata osservanza delle norme di sicurezza contenute in questo manuale può provocare lesioni personali gravi.

ISTRUZIONI IMPORTANTI PER LA SICUREZZA

ENC007-2

RELATIVE ALLA BATTERIA

- Prima di utilizzare la batteria, leggere tutte le istruzioni e gli avvisi di sicurezza relativi a (1) caricabatteria, (2) batteria e (3) prodotto utilizzato con la batteria.
- Non disassemblare la batteria.
- Se il tempo di funzionamento è diventato eccessivamente breve, non utilizzare l'utensile. Potrebbero verificarsi surriscaldamenti, ustioni o esplosioni.

4. **In caso di contatto dell'elettrolita della batteria con gli occhi, sciacquare con acqua fresca e rivolgersi immediatamente a un medico. Potrebbero verificarsi danni permanenti alla funzionalità visiva.**
5. **Non cortocircuitare la batteria.**
 - (1) **Non toccare i terminali della batteria con materiale in grado di condurre elettricità.**
 - (2) **Evitare di conservare le batterie a contatto con oggetti metallici quali chiodi, monete e così via.**
 - (3) **Non esporre le batterie all'acqua o alla pioggia. Un cortocircuito può provocare un elevato flusso di corrente, surriscaldamento, ustioni o rotture.**
6. **Non conservare l'utensile e la batteria a una temperatura superiore a 50 °C (122 °F).**
7. **Evitare di smaltire le batterie danneggiate o esaurite bruciandole. Se esposte al fuoco, le batterie possono esplodere.**
8. **Evitare di far cadere o di colpire la batteria.**

CONSERVARE QUESTE ISTRUZIONI.

Suggerimenti per il prolungamento della durata della batteria

1. **Caricare le batterie prima di scaricarle completamente. Se si nota una diminuzione di potenza dell'utensile, interrompere il lavoro e caricare la batteria.**
2. **Non ricaricare una batteria già completamente carica. In caso contrario, la durata operativa della batteria potrebbe ridursi.**
3. **Caricare la batteria in ambienti con una temperatura compresa tra 10 °C – 40 °C (50 °F – 104 °F). Prima di caricare una batteria surriscaldata, lasciarla raffreddare.**

DESCRIZIONE FUNZIONALE

ATTENZIONE:

- Accertarsi sempre che l'utensile sia spento e che la batteria sia stata rimossa prima di regolare o controllare le funzioni dell'utensile.

Installazione o rimozione della batteria (Fig. 1)

- Prima di inserire o rimuovere la batteria, spegnere sempre l'utensile.
- Per rimuovere la batteria, estrarla dall'utensile facendo scorrere il pulsante sulla parte frontale della batteria.
- Per inserire la batteria, tenerla in modo tale che la sua forma anteriore si adatti a quella dell'apertura per l'installazione della batteria e scivoli in posizione. Inserire sempre la batteria fino a quando si blocca in posizione con uno scatto. In caso contrario la batteria può fuoriuscire accidentalmente e provocare lesioni all'operatore o a chi si trova nello spazio vicino.
- Non applicare una forza eccessiva per inserire la batteria. Se la batteria non scorre agevolmente, la manovra di inserimento non è corretta.

Azionamento dell'interruttore (Fig. 2)

ATTENZIONE:

- Prima di inserire la batteria nell'utensile, controllare se l'interruttore funziona correttamente e ritorna alla posizione "SPENTO" una volta rilasciato.

Per accendere l'utensile è sufficiente premere l'interruttore. Per aumentare la velocità dell'utensile, aumentare la pressione sull'interruttore. Per spegnere l'utensile, rilasciare l'interruttore.

Accensione delle lampada frontale (Fig. 3)

ATTENZIONE:

- Non osservare direttamente la luce o la fonte luminosa. Per accendere la lampadina, azionare l'interruttore. La lampadina rimane accesa fino a quando si tiene premuto l'interruttore. La lampada si spegne automaticamente 10-15 secondi dopo aver rilasciato l'interruttore.

NOTA:

- Utilizzare un panno asciutto per pulire la lente della lampadina.
Fare attenzione a non graffiare la lente della lampadina per evitare riduzioni dell'intensità luminosa.

Azionamento della leva di inversione della rotazione (Fig. 4)

Questo utensile è dotato di una leva di inversione che consente di modificare la direzione di rotazione. Premere la leva di inversione dal lato A se si desidera una rotazione in senso orario, dal lato B se si desidera una rotazione in senso antiorario.

Quando la leva di inversione si trova nella posizione centrale è impossibile azionare l'interruttore.

ATTENZIONE:

- Prima di azionare l'utensile, controllare sempre la direzione di rotazione impostata.
- Utilizzare la leva di inversione solo quando l'utensile è completamente fermo. Modificare la direzione di rotazione prima dell'arresto può danneggiare l'utensile.
- Se non si utilizza l'utensile, posizionare sempre la leva di inversione nella posizione centrale.


Modifica della velocità (Fig. 5)


Per modificare la velocità, spegnere l'utensile e far scorrere la leva di regolazione sulla posizione "2" se si desidera una velocità elevata o sulla posizione "1" se si desidera una velocità minore. Prima di azionare l'utensile, accertarsi di aver selezionato la velocità corretta. Utilizzare la velocità più adatta al lavoro da eseguire.

ATTENZIONE:

- Posizionare accuratamente la leva di regolazione della velocità sulla posizione corretta. Se si aziona l'utensile mentre la leva di regolazione si trova in una posizione intermedia tra "1" e "2", l'utensile potrebbe essere danneggiato.
- Non utilizzare la leva di commutazione della velocità mentre si utilizza l'utensile. L'uso in tali condizioni può danneggiare l'utensile.

Regolazione della coppia di serraggio (Fig. 6)

È possibile regolare la coppia di serraggio su 18 posizioni ruotando l'anello di regolazione fino ad allineare la posizione desiderata con l'indicatore presente sul corpo dell'utensile. La coppia di serraggio è minima quando l'indicatore si trova in corrispondenza del numero 1 e massima quando si trova in corrispondenza del simbolo .

Per le posizioni comprese tra 1 e 18, la frizione interverrà a diversi livelli di coppia. Il funzionamento della frizione è concepito in modo da non intervenire in corrispondenza del simbolo .

Prima di iniziare il lavoro, avvitare una vite nel materiale da utilizzare o in un pezzo di materiale identico per individuare il livello di coppia più appropriato per la specifica esigenza.

MONTAGGIO

ATTENZIONE:

- Prima di eseguire qualsiasi operazione sull'utensile, verificare sempre di averlo spento e di aver rimosso la batteria.

Installazione o rimozione della punta per avvitatore o della punta a tubo (Fig. 7)

Utilizzare solo punte che abbiano la parte di inserimento della lunghezza mostrata in figura.

Per i paesi europei, dell'America del nord e del sud, dell'Australia e della Nuova Zelanda

A=12 mm B=9 mm	Usare solo questi tipi di punte. Seguire la procedura (1). (Nota) Il componente della punta non è necessario.
-------------------	--

Per altri paesi

A=17 mm B=14 mm	Per installare questi tipi di punte, seguire la procedura (1). (Nota) Le punte Makita sono di questi tipi.
A=12 mm B=9 mm	Per installare questi tipi di punte, seguire la procedura (2). (Nota) Il componente della punta è necessario per l'installazione della punta.

- Per installare la punta, tirare il manicotto nella direzione della freccia e inserire completamente la punta nel manicotto. Quindi rilasciare il manicotto per fissare la punta. (Fig. 8)
- Per installare la punta, tirare il manicotto nella direzione della freccia e inserire completamente il componente della punta e la punta nel manicotto. Il componente della punta deve essere inserito nel manicotto con l'estremità appuntita rivolta verso l'interno. Rilasciare il manicotto per fissare la punta. (Fig. 9)

Per rimuovere la punta, tirare il manicotto in direzione della freccia, quindi estrarre la punta.

NOTA:

- Se la punta non viene inserita nel manicotto a una profondità sufficiente, il manicotto non tornerà nella posizione iniziale e la punta non verrà fissata. In tal

caso, provare a reinserire la punta seguendo le istruzioni riportate sopra.

USO

ATTENZIONE:

- Inserire la batteria completamente, fino a quando si blocca in posizione con uno scatto. Se l'area rossa del lato superiore del pulsante è ancora visibile, la batteria non è completamente inserita. Inserire la batteria fino a quando l'area rossa non è più visibile. In caso contrario la batteria può fuoriuscire accidentalmente e provocare lesioni all'operatore o a chi si trova nello spazio vicino. Per controllare l'azione dell'utensile, tenerlo saldamente con una mano sull'impugnatura e l'altra sotto la batteria.

Avvitatura (Fig. 10)

ATTENZIONE:

- Impostare l'anello di regolazione sul livello di coppia appropriato per la specifica esigenza.

Inserire l'estremità della punta nella testa della vite e applicare una pressione all'utensile. Avviare lentamente l'utensile e aumentare gradualmente la velocità. Appena la frizione entra in azione, rilasciare l'interruttore.

ATTENZIONE:


- Accertarsi di aver inserito la punta correttamente nella testa della vite. In caso contrario la punta o la vite potrebbero danneggiarsi.

NOTA:

- Quando si avvitano viti per legno, eseguire preforature per rendere più agevole il lavoro ed evitare fenditure nel pezzo in lavorazione. Vedere la tabella riportata di seguito.

Diametro nominale della vite per legno (mm)	Dimensione consigliata per la preforatura (mm)
3,1	2,0 - 2,2
3,5	2,2 - 2,5
3,8	2,5 - 2,8
4,5	2,9 - 3,2
4,8	3,1 - 3,4
5,1	3,3 - 3,6
5,5	3,7 - 3,9
5,8	4,0 - 4,2
6,1	4,2 - 4,4

Foratura

Regolare innanzitutto l'anello in modo che l'indicatore si trovi in corrispondenza del simbolo . Procedere come indicato di seguito.

Foratura di legno

In questo caso, per ottenere i risultati migliori è consigliabile utilizzare punte da legno dotate di una vite di guida. Quest'ultima agevola la foratura perché guida la punta nel pezzo in lavorazione.

Foratura di metallo

Per impedire lo slittamento della punta all'inizio della foratura, utilizzare un punzone per centri e un martello per creare una cavità nella posizione in cui eseguire il foro.

Collocare l'estremità della punta nella cavità e iniziare la foratura.

Se si forano metalli, utilizzare un lubrificante per taglio.

Ferro e ottone devono invece essere forati a secco.

ATTENZIONE:

- Se si applica una pressione eccessiva sull'utensile non si accelera la foratura. Al contrario, una pressione eccessiva può danneggiare l'estremità della punta, diminuire l'efficacia dell'utensile e abbreviarne la durata operativa.
- Quando la foratura è al termine, l'utensile e la punta sono soggetti a una forza molto intensa. Impugnare saldamente l'utensile e prestare particolare attenzione quando il foro è quasi completato.
- Per rimuovere una punta inceppata è sufficiente invertire il senso di rotazione dell'utensile ed azionarlo brevemente. Tuttavia, se non si impugna saldamente l'utensile, questo potrebbe arretrare improvvisamente.
- Fissare sempre i pezzi in lavorazione di piccole dimensioni utilizzando una morsa o un dispositivo simile.
- Se si utilizza continuativamente l'utensile fino al completo scaricamento della batteria, attendere 15 minuti prima di continuare a utilizzarlo con una nuova batteria.

Utilizzo dell'utensile come avvitatore manuale (Fig. 11)

Spegnere l'utensile.

Portare il pulsante di blocco nella posizione di blocco A.

Ruotare l'utensile.

NOTA:

- Utilizzare l'utensile con una coppia di serraggio inferiore a 12,5 Nm (127 kgf.cm).
- Questa modalità d'uso è comoda per la verifica dell'avvitatura.
- Non utilizzare l'utensile per lavori che richiedono una forza eccessiva, ad esempio per serrare bulloni o per la rimozione di viti arrugginite.

Uso della fondina

ATTENZIONE:

- Non utilizzare con utensili come ad esempio trapani con la punta inserita.
- Spegnere l'utensile e attendere che si fermi completamente prima di riporlo nella fondina. Accertarsi di chiudere bene la fondina in modo che tenga saldamente l'utensile.

Far passare una cintura o simili attraverso il supporto della fondina.

Inserire l'utensile nella fondina e bloccarlo con il relativo pulsante. (Fig. 12 e 13)

È possibile tenere due punte di riserva nella parte anteriore della fondina. (Fig. 14)

MANUTENZIONE

ATTENZIONE:

- Prima di effettuare controlli o operazioni di manutenzione, verificare sempre di aver spento l'utensile e di aver rimosso la batteria.

Per mantenere la SICUREZZA e l'AFFIDABILITÀ del prodotto, le riparazioni e qualsiasi altra operazione di

manutenzione o regolazione devono essere eseguiti dai centri di assistenza autorizzati Makita utilizzando sempre parti di ricambio Makita.

ACCESSORI

ATTENZIONE:

- Si raccomanda di usare questi accessori per l'utensile Makita descritto in questo manuale. L'uso di qualsiasi altro accessorio potrebbe provocare lesioni personali. Utilizzare gli accessori esclusivamente per l'uso dichiarato.

Per l'assistenza e ulteriori informazioni su tali accessori, rivolgersi al centro di assistenza Makita più vicino.

- Punte per foratura
- Punte per viti
- Punte a tubo
- Componente della punta
- Diversi modelli di batterie e caricabatteria originali Makita
- Fondina
- Valigetta di trasporto in plastica

Solo per i paesi europei

Rumore

ENG103-1

Il tipico livello di rumore ponderato "A" è determinato in conformità con la norma EN60745-2-1:

Livello di pressione sonora (L_{pA}): 70 dB (A) o inferiore

Il livello acustico in funzionamento può superare 85 dB (A).

Indossare una protezione acustica

Vibrazione

ENG202-1

Il valore totale della vibrazione (somma vettoriale triassiale) è determinato in conformità con la norma EN60745-2-1:

Modalità di lavoro: perforazione di metalli
Emissione di vibrazioni ($a_{h,D}$): 2,5 m/s² o inferiore

DICHIARAZIONE DI CONFORMITÀ CE

ENH102-7

Modello; DF030D

Dichiariamo sotto nostra esclusiva responsabilità che il presente prodotto è conforme alle seguenti norme o documenti normativi:

EN60745, EN55014 secondo le disposizioni delle direttive del Consiglio, 2004/108/CE, 98/37/CE.

CE 2007



Tomoyasu Kato
Direttore

Produttore responsabile:

Makita Corporation

3-11-8, Sumiyoshi-cho, Anjo, Aichi, GIAPPONE

Rappresentanti autorizzati in Europa:

Makita International Europe Ltd.

Michigan Drive, Tongwell, Milton Keynes, Bucks MK15 8JD, INGHILTERRA

Verklaring van algemene gegevens

- | | | |
|-----------------------|------------------------|-----------------|
| 1. Knop | 5. Omkeerschakelaar | 9. Aanwijspunt |
| 2. Accu | 6. Snelheidsinstelknop | 10. Bit |
| 3. Aan/uit-schakelaar | 7. Instelring | 11. Bus |
| 4. Lamp | 8. Schaalverdeling | 12. Bit-adapter |

TECHNISCHE GEGEVENS

Model		DF030D
Vermogen	Staal	10 mm
	Hout	21 mm
	Houtschroef	5,1 mm x 63 mm
	Machineschroef	M6
Nullasttoerental (min ⁻¹)	Hoog (2)	0 - 1.300
	Laag (1)	0 - 350
Spankopmaat		6,35 mm
Totale lengte		157 mm
Netto gewicht		0,88 kg
Nominale spanning		10,8 V gelijkstroom

- Als gevolg van ons doorlopende onderzoeks- en ontwikkelingsprogramma, zijn de technische gegevens van dit gereedschap onderhevig aan veranderingen zonder voorafgaande kennisgeving.
- Opmerking: De technische gegevens kunnen van land tot land verschillen.

Symbolen

END004-2

Hieronder staan de symbolen die voor dit gereedschap worden gebruikt. Zorg ervoor dat u weet wat ze betekenen alvorens het gereedschap te gebruiken.



..... Lees de gebruiksaanwijzing.

Gebruiksdoelinden

ENE034-1

Het gereedschap is bedoeld voor boren en schroeven in hout, metaal en kunststof.

SPECIFIEKE VEILIGHEIDSVORSCHRIFTEN

GEB002-2

Laat u **NIET** misleiden door een vals gevoel van comfort en bekendheid met het gereedschap (na veelvuldig gebruik) en neem alle veiligheidsvoorschriften van de schroefboormachine altijd strikt in acht. Bij onveilig of verkeerd gebruik van het elektrisch gereedschap, bestaat de kans op ernstig persoonlijk letsel.

1. Houd elektrisch gereedschap vast aan het geïsoleerde oppervlak van de handgrepen wanneer u werkt op plaatsen waar het gereedschap met verborgen bedrading of zijn eigen snoer in aanraking kan komen. Door contact met onder spanning staande draden, zullen de niet-geïsoleerde metalen delen van het gereedschap onder spanning komen te staan zodat de gebruiker een elektrische schok kan krijgen.

2. **Zorg er altijd voor dat u stevig staat. Zorg ervoor dat er niemand zich onder u bevindt wanneer u het gereedschap op een hoge plaats gebruikt.**
3. **Houd het gereedschap stevig vast.**
4. **Houd uw handen uit de buurt van draaiende delen.**
5. **Laat het gereedschap niet ingeschakeld liggen. Bedien het gereedschap alleen wanneer u het vasthoudt.**
6. **Raak het schroef- of boorbit en het werkstuk niet onmiddellijk na gebruik aan. Zij kunnen bijzonder heet zijn en brandwonden op uw huid veroorzaken.**
7. **Sommige materialen bevatten chemische stoffen die giftig kunnen zijn. Neem voorzorgsmaatregelen tegen het inademen van stof en contact met de huid. Volg de veiligheidsinstructies van de leverancier van het materiaal op.**

BEWAAR DEZE INSTRUCTIES

WAARSCHUWING:

VERKEERD GEBRUIK of het niet volgen van de veiligheidsinstructies in deze gebruiksaanwijzing kan leiden tot ernstig persoonlijk letsel.

BELANGRIJKE VEILIGHEIDSVORSCHRIFTEN

ENC007-2

VOOR ACCU'S

1. **Alvorens de accu in gebruik te nemen, leest u eerst alle instructies en waarschuwingsopdrachten op (1) de acculader, (2)**

de accu en (3) het apparaat waarin de accu wordt aangebracht.

2. Haal de accu niet uit elkaar.
3. Als de gebruikstijd aanzienlijk korter is geworden, stopt u onmiddellijk met het gebruik. Anders kan dit leiden tot kans op oververhitting, mogelijke brandwonden en zelfs een explosie.
4. Als de elektrolyt in uw ogen komt, wast u deze uit met schoon water en raadpleegt u onmiddellijk een arts. Dit kan leiden tot verlies van gezichtsvermogen.
5. Sluit de accu niet kort:
 - (1) Raak de accupolen niet aan met enig geleidend materiaal.
 - (2) Bewaar de accu niet op een plaats waar deze in aanraking kan komen met andere metalen voorwerpen, zoals spijkers, munten, enz.
 - (3) Stel de accu niet bloot aan water of regen. Kortsluiting van de accu kan leiden tot een hoge stroomsterke, oververhitting, mogelijke brandwonden en zelfs een defect.
6. Bewaar het gereedschap en de accu niet op plaatsen waar de temperatuur kan oplopen tot 50 °C of hoger.
7. Werp de accu niet in een vuur, zelfs niet als deze al ernstig beschadigd of helemaal versleten is. De accu kan in een vuur exploderen.
8. Wees voorzichtig dat u de accu niet laat vallen of ergens tegenaan stoot.

BEWAAR DEZE INSTRUCTIES

Tips voor een lange levensduur van de accu

1. Laad de accu op voordat deze volledig leeg is. Wanneer u merkt dat het gereedschap minder vermogen heeft, stopt u met het gebruik ervan en laadt u eerst de accu op.
2. Laad nooit een volledig opgeladen accu op. Te lang opladen verkort de levensduur van de accu.
3. Laad de accu op bij een omgevingstemperatuur van 10 °C t/m 40 °C. Laat een warme accu eerst afkoelen voordat u deze oplaadt.

BESCHRIJVING VAN DE FUNCTIES

LET OP:

- Zorg ervoor dat het gereedschap is uitgeschakeld en dat de accu is verwijderd voordat u de werking van het gereedschap aanpast of controleert.

De accu aanbrengen en verwijderen (zie afb. 1)

- Schakel het gereedschap altijd uit voordat u de accu aanbrengt of verwijderd.
- Om de accu te verwijderen, drukt u de knoppen aan beide zijkanen van de accu in en trekt u tegelijkertijd de accu van het gereedschap af.
- Om de accu aan te brengen, houdt u de accu zodanig vast dat de vorm aan de voorkant van de accu past in de accuplaatsingsopening van het apparaat, en schuift

u de accu op zijn plaats.

Steek de accu zo ver mogelijk in het gereedschap tot u een klinkgeluid hoort. Als u dit niet doet, kan de accu per ongeluk uit het gereedschap vallen en u of anderen in uw omgeving verwonden.

- Oefen geen grote kracht uit bij het aanbrengen van de accu. Als de accu niet gemakkelijk in het gereedschap kan worden gestoken, wordt deze niet goed aangebracht.

Aan/uit-schakelaar (zie afb. 2)

LET OP:

- Controleer altijd, voordat u de accu in het gereedschap steekt, of de aan/uit-schakelaar op de juiste manier schakelt en weer terugkeert naar de uit-stand nadat deze is losgelaten.

Om het gereedschap in te schakelen, knijpt u gewoon de aan/uit-schakelaar in. De draaisnelheid van het gereedschap neemt toe naarmate u meer druk uitoefent op de aan/uit-schakelaar. Laat de aan/uit-schakelaar los om het gereedschap te stoppen

De lamp op de voorkant inschakelen (zie afb. 3)

LET OP:

- Kijk niet rechtstreeks in het licht of naar de bron van de lamp.

Knijp de aan/uit-schakelaar in om de lamp op de voorkant in te schakelen. De lamp blijft branden zolang u de aan/uit-schakelaar ingeknepen houdt. De lamp gaat 10 tot 15 seconden nadat u de aan/uit-schakelaar hebt losgelaten uit.

OPMERKING:

- Gebruik een doek om het vuil van de lens van de lamp te vegen.
Wees voorzichtig de lens van de lamp niet te bekrassen om de lichtopbrengst niet te verlagen.

Werking van de omkeerschakelaar (zie afb. 4)

Dit gereedschap is uitgerust met een omkeerschakelaar waarmee u de draairichting kunt omkeren. Druk op de omkeerschakelaar vanaf kant A voor de draairichting rechtsom, of vanaf kant B voor de draairichting linksom. Wanneer de omkeerschakelaar in de middenstand staat, kunt u de aan/uit-schakelaar niet inknippen.

LET OP:

- Controleer altijd de draairichting alvorens het gereedschap te gebruiken.
- Gebruik de omkeerschakelaar alleen nadat het gereedschap volledig tot stilstand is gekomen. Als u de draairichting verandert voordat het gereedschap volledig stilstaat, kan het gereedschap worden beschadigd.
- Als u het gereedschap niet gebruikt, zet u de omkeerschakelaar altijd in de middenstand.

De draaisnelheid veranderen (zie afb. 5)


Om de draaisnelheid van het gereedschap te veranderen, schakelt u eerst het gereedschap uit en verschuift u daarna de snelheidsinstelknop naar stand "2" voor een


hoge draaisnelheid, of naar stand "1" voor een lage draaisnelheid. Zorg ervoor dat de snelheidsinstelknop in de juiste stand staat alvorens het gereedschap te bedienen. Gebruik de juiste draaisnelheid voor uw klus.

LET OP:

- Zet de snelheidsinstelknop altijd volledig in de gewenste stand. Als u het gereedschap bedient terwijl de snelheidsinstelknop halverwege de standen "1" en "2" staat, kan het gereedschap worden beschadigd.
- Bedien de snelheidsinstelknop niet terwijl het gereedschap draait. Het gereedschap kan hierdoor worden beschadigd.

Het draaikoppel instellen (zie afb. 6)

Het draaikoppel kan in 18 stappen worden ingesteld door de instelling te draaien zodat de gewenste stand op de schaalverdeling is uitgelijnd met de aanwijspunt op de behuizing van het gereedschap. Het draaikoppel is minimaal wanneer stand 1 is uitgelijnd met de aanwijspunt, en maximaal wanneer het symbool  is uitgelijnd met de aanwijspunt.

In de standen 1 t/m 18 zal de koppeling slippen bij steeds oplopende draaikoppelniveaus. De koppeling is ontworpen om niet te slippen op het symbool . Bepaal het juiste draaikoppelniveau door bij wijze van proef een schroef in het materiaal of een stuk gelijkwaardig materiaal te draaien, alvorens het gereedschap voor de daadwerkelijke klus te gebruiken.

ONDERDELEN AANBRENGEN/ VERWIJDEREN

LET OP:

- Controleer altijd of het gereedschap is uitgeschakeld en de accu is verwijderd alvorens enige werkzaamheden aan het gereedschap te verrichten.

Het schroefbit of dopsleutelbit aanbrengen en verwijderen (zie afb. 7)

Gebruik uitsluitend bits met een insteekgedeelte zoals aangegeven in de afbeelding.

Voor Europese landen, Noord- en Zuid-Amerikaanse landen, Australië en Nieuw-Zeeland

A = 12 mm B = 9 mm	Gebruik uitsluitend dit type bits. Volg procedure (1). (Opmerking) De bit-adapter is niet nodig.
-----------------------	---

Voor andere landen

A = 17 mm B = 14 mm	Om deze typen bits te plaatsen, volgt u procedure (1). (Opmerking) Makita-bits zijn van dit type.
A = 12 mm B = 9 mm	Om deze typen bits te plaatsen, volgt u procedure (2). (Opmerking) De bit-adapter is nodig om het bit te plaatsen.

1. Om de bit te plaatsen, trekt u de bus in de richting van de pijl en steekt u de bit zo ver mogelijk in de bus. Laat daarna de bus los om de bit te vergrendelen (zie afb. 8).
2. Om de bit te plaatsen, trekt u de bus in de richting van de pijl en steekt u de bit-adapter en de bit zo ver

mogelijk in de bus. De bit-adapter moet met het puntige uiteinde eerst in de bus worden gestoken. Laat daarna de bus los om de bit te vergrendelen (zie afb. 9).

Om de bit te verwijderen, trekt u de bus in de richting van de pijl en trekt u de bit met kracht eruit.

OPMERKING:

- Als de bit niet diep genoeg in de bus is gestoken, zal de bus niet terugkeren naar de oorspronkelijke positie en zal de bit niet vastzitten. In dat geval probeert u de bit opnieuw in de bus te steken volgens bovenstaande aanwijzingen.

BEDIENING

LET OP:

- Steek de accu altijd zo ver mogelijk in het gereedschap totdat deze met een klik wordt vergrendeld. Als u het rode deel aan de bovenkant van de knop kunt zien, is de accu niet goed aangebracht. Steek de accu zo ver mogelijk erin tot het rode deel niet meer zichtbaar is. Als u dit niet doet, kan de accu per ongeluk uit het gereedschap vallen en u of anderen in uw omgeving verwonden.

Houd het gereedschap stevig vast met één hand aan de handgreep en de andere aan de onderkant van de accu om de draaiende beweging op te vangen.

Gebruik als schroevendraaier (zie afb. 10)

LET OP:

- Stel de instelling in op het juiste draaikoppelniveau voor uw klus.

Plaats de punt van het schroefbit in de schroefkop en oefen druk uit op het gereedschap. Start het gereedschap op lage snelheid en voer vervolgens de snelheid geleidelijk op. Laat de aan/uit-schakelaar los zodra de koppeling begint te slippen.

LET OP:


- Zorg ervoor dat het schroefbit recht op de schroefkop staat omdat anders de schroef en/of het bit kunnen worden beschadigd.

OPMERKING:

- Bij het schroeven van hout Schroeven moet u de boorgaten voorboren om het schroeven te vergemakkelijken en te voorkomen dat het werkstuk splijt. Zie de tabel.

Nominale diameter van hout Schroef (mm)	Aanbevolen diameter vorgeboord gat (mm)
3,1	2,0 - 2,2
3,5	2,2 - 2,5
3,8	2,5 - 2,8
4,5	2,9 - 3,2
4,8	3,1 - 3,4
5,1	3,3 - 3,6
5,5	3,7 - 3,9
5,8	4,0 - 4,2
6,1	4,2 - 4,4

Gebruik als boor

Draai eerst de instelring zodat de pijlpunt op het symbool  staat. Ga daarna als volgt te werk.

Boren in hout

Bij het boren in hout verkrijgt u de beste resultaten met houtboren voorzien van een geleideschroef. De geleideschroef zorgt ervoor dat het boren gemakkelijker verloopt door het bit in het werkstuk te trekken.

Boren in metaal

Om te voorkomen dat bij het beginnen van het boren het bit wegglijdt, maakt u een putje met een centerpons en hamer op het punt waar u wilt boren. Plaats de punt van het bit in het putje en begin te boren.

Gebruik bij het boren in metaal een slijolie als smeermiddel. De uitzonderingen hierop zijn ijzer en messing, die droog moeten worden geboord.

LET OP:

- Het boren zal niet sneller verlopen als u hard op het gereedschap drukt. In feite zal dergelijk duwen alleen maar leiden tot beschadiging van de boor, verlagen van de prestaties van het gereedschap, en verkorten van de levensduur van het gereedschap.
- Op het moment dat het boorgat doorbreekt wordt een enorme kracht uitgeoefend op het gereedschap/bit. Houd het gereedschap stevig vast en let goed op wanneer het boortje door het werkstuk breekt.
- Een vastgelopen boor kan eenvoudigweg worden verwijderd door de omkeerschakelknop in de stand voor achteruitdraaien te zetten om de boor te verwijderen. Het gereedschap kan echter plotseling achteruit komen als u het niet stevig vasthoudt.
- Zet kleine werkstukken altijd vast in een bankschroef of soortgelijk bevestigingsmiddel.
- Als het gereedschap continu wordt bediend totdat de accu leeg is, laat u het gereedschap gedurende 15 minuten liggen alvorens verder te werken met een volle accu.

Het gereedschap gebruiken als een handschroevendraaier (zie afb. 11).

Schakel het gereedschap uit.

Zet de vastzetknop in de vergrendelde stand A.

Schakel het gereedschap in.

OPMERKING:

- Gebruik het gereedschap met een draaikoppel van minder dan 12,5 Nm (127 kgf.cm).
- Deze gebruiksmethode is handig voor het controleren van het aandraaien van de schroeven.
- Gebruik het gereedschap niet voor werkzaamheden die buitengewoon veel kracht vereisen, zoals het aandraaien van een bout of het losdraaien van vastgeroeste schroeven.

Gebruik van de holster

LET OP:

- Gebruik de holster niet voor gereedschappen, zoals een (schroef-)boormachine, waarin een bit of boortje is aangebracht.
- Voordat u het gereedschap in de holster steekt, schakelt u het gereedschap uit en wacht u tot het volledig tot stilstand is gekomen. Zorg ervoor dat u

hierna de holster goed sluit zodat het gereedschap stevig vastgehouden wordt.

Rijg uw broekriem of iets dergelijks door de houder van de holster.

Steek het gereedschap in de holster en sluit deze met de holstersluiting (zie afb. 12 en 13).

Op de voorkant van de holster is plaats voor twee bits (zie afb. 14).

ONDERHOUD

LET OP:

- Zorg er altijd voor dat de machine is uitgeschakeld en de accu is verwijderd, voordat u een inspectie of onderhoud uitvoert.

Om de VEILIGHEID en BETROUWBAARHEID van het gereedschap te handhaven, dienen alle reparaties, onderhoud en afstellingen te worden uitgevoerd door een erkend Makita-servicecentrum, en altijd met gebruikmaking van originele Makita-ervangingsonderdelen.

ACCESSOIRES

LET OP:

- Deze accessoires of hulpstukken worden aanbevolen voor gebruik met het Makita-gereedschap dat in deze gebruiksaanwijzing wordt beschreven. Het gebruik van andere accessoires of hulpstukken kan gevaar voor persoonlijk letsel opleveren. Gebruik de accessoires of hulpstukken uitsluitend voor de aangegeven gebruiksdoeleinden.

Mocht u meer informatie willen hebben over deze accessoires, dan kunt u contact opnemen met uw plaatselijke Makita-servicecentrum.

- Boorbits
- Schroefbits
- Dopsleutelbits
- Bit-adaptor
- Diverse types originele Makita-accu's en acculaders
- Holster
- Kunststoffen draagdoos

Alleen voor Europese landen

Geluid ENG103-1

Het standaard A-gewogen geluidsniveau zoals vastgesteld conform EN60745-2-1:

Geluidsdrukniveau (L_{pA}): 70 dB (A) of lager

Het geluidsniveau kan tijdens gebruik hoger worden dan 85 dB (A)

Draag oorbescherming

Trilling ENG202-1

De totale trilwaarde (triaxiale vectorsom) zoals vastgesteld volgens EN60745-2-1:

Gebruikstoepassing: boren in metaal

Trillingsemisatie ($a_{h,D}$): 2,5 m/s² of minder

EU-VERKLARING VAN CONFORMITEIT ENH102-7

Model; DF030D

Wij verklaren onder eigen verantwoordelijkheid dat dit product voldoet aan de normen in de volgende documenten:

EN60745, EN55014 in overeenstemming met de richtlijnen van de Raad, 2004/108/EC, 98/37/EC.

CE 2007



Tomoyasu Kato
Directeur

Verantwoordelijke fabrikant:

Makita Corporation

3-11-8, Sumiyoshi-cho, Anjo, Aichi, JAPAN

Erkende vertegenwoordiger voor Europa:

Makita International Europe Ltd.

Michigan Drive, Tongwell, Milton Keynes, Bucks MK15 8JD, ENGLAND

Descripción y visión general

- | | | |
|---|-----------------------------------|--------------------|
| 1. Botón | 6. Palanca de cambio de velocidad | 12. Pieza de punta |
| 2. Cartucho de la batería | 7. Anilla de ajuste | |
| 3. Interruptor disparador | 8. Graduación | |
| 4. Lámpara | 9. Puntero | |
| 5. Palanca del interruptor de inversión | 10. Broca | |
| | 11. Camisa | |

ESPECIFICACIONES

Modelo		DF030D
Capacidades	Acero	10 mm
	Madera	21 mm
	Tornillo para madera	5,1 mm x 63 mm
	Tornillo para máquinas	M6
Velocidad en vacío (mín ⁻¹)	Alta (2)	0 - 1.300
	Baja (1)	0 - 350
Capacidad del mandril		6,35 mm
Longitud total		157 mm
Peso neto		0,88 kg
Tensión nominal		CC de 10,8 V

- Debido a nuestro programa continuo de investigación y desarrollo, las especificaciones aquí descritas están sujetas a cambios sin previo aviso.
- Nota: Las especificaciones pueden ser diferentes de un país a otro.

Símbolos

END004-2

Se utilizan los siguientes símbolos para el equipo. Asegúrese de que comprende su significado antes del uso.



..... Lea el manual de instrucciones.

Uso previsto

ENE034-1

Esta herramienta está diseñada para taladrar y atornillar en madera, metal y plástico.

NORMAS DE SEGURIDAD ESPECÍFICAS

GEB002-2

NO deje que la comodidad o la familiaridad con el producto (a base de utilizarlo repetidamente) sustituyan la estricta observancia de las normas de seguridad para el taladro. Si utiliza esta herramienta de forma no segura o incorrecta, puede sufrir graves daños corporales.

1. **Sujete las herramientas eléctricas por las superficies de agarre aisladas al realizar una operación en que la herramienta de corte pueda entrar en contacto con cables ocultos o con su propio cable.** Si entra en contacto con un cable con corriente, las piezas metálicas expuestas se cargarán también de corriente y el operario puede recibir una descarga.
2. **Colóquese siempre en una posición bien equilibrada. Si utiliza la herramienta en una ubicación elevada, asegúrese de que nadie se encuentre debajo.**

3. **Sujete con fuerza la herramienta.**

4. **Mantenga las manos alejadas de las partes giratorias.**

5. **No deje la herramienta encendida. Póngala en marcha solamente cuando la tenga en las manos.**

6. **No toque la broca ni la pieza de trabajo inmediatamente después de la tarea; pueden estar extremadamente calientes y producir quemaduras en la piel.**

7. **Algunos materiales contienen sustancias químicas que pueden ser tóxicas. Procure evitar la inhalación de polvo y el contacto con la piel. Consulte la información de seguridad del proveedor del material.**

GUARDE ESTAS INSTRUCCIONES.

ADVERTENCIA:

el **MAL USO** o la no observancia de las normas de seguridad expuestas en este manual de instrucciones pueden ocasionar graves daños corporales.

INSTRUCCIONES DE SEGURIDAD IMPORTANTES

ENC007-2

PARA EL CARTUCHO DE LA BATERÍA

1. **Antes de utilizar el cartucho de la batería, lea todas las instrucciones y referencias de precaución que se encuentran en (1) el cargador**

- de baterías, (2) la batería y (3) el producto que utiliza la batería.
- 2. **No desmonte el cartucho de la batería.**
- 3. **Si el tiempo de funcionamiento es excesivamente corto, deje de utilizar la herramienta de inmediato. De lo contrario, existe el riesgo de sobrecalentamiento, quemaduras e incluso explosión.**
- 4. **Si se produce contacto ocular con electrolito, enjuáguese los ojos con agua limpia y acuda de urgencia al médico. Corre el riesgo de perder la visión.**
- 5. **No cortocircuite el cartucho de la batería:**
 - (1) **No toque los terminales con material conductor.**
 - (2) **Evite guardar el cartucho de la batería en un recipiente con otros objetos metálicos, como clavos, monedas, etc.**
 - (3) **No exponga el cartucho de la batería al agua o a la lluvia. Un cortocircuito puede provocar un elevado flujo de corriente, sobrecalentamiento, quemaduras o incluso una avería.**
- 6. **No almacene la herramienta ni el cartucho de la batería en lugares donde la temperatura supere los 50 °C (122 °F).**
- 7. **No quemé el cartucho de la batería aunque esté gravemente dañado o completamente gastado. El cartucho de la batería puede explotar si entra en contacto con fuego.**
- 8. **Procure que la batería no sufra golpes ni caídas.**

GUARDE ESTAS INSTRUCCIONES.

Consejos para conseguir una mayor duración de la batería

1. **Cargue la batería antes de que se descargue por completo. Siempre debe dejar utilizar la herramienta y cargar el cartucho de la batería cuando observe que tiene menos potencia.**
2. **No recargue nunca un cartucho de batería completamente cargado. La sobrecarga acorta la vida útil de la batería.**
3. **Cargue el cartucho de la batería a una temperatura ambiente que oscile entre 10 °C - 40 °C (50 °F - 104 °F). Antes de cargar un cartucho de batería caliente, deje que se enfríe.**

DESCRIPCIÓN DEL FUNCIONAMIENTO

PRECAUCIÓN:

- Antes de ajustar o de comprobar la herramienta, asegúrese siempre de que está apagada y de que la batería ha sido extraída.

Instalación o extracción del cartucho de la batería (Fig. 1)

- Apague siempre la herramienta antes de insertar o extraer el cartucho de la batería.

- Para extraer el cartucho de la batería, quítelo de la herramienta al mismo tiempo que pulsa los botones situados a ambos lados del cartucho.
- Para insertar el cartucho de la batería, sujételo de manera que la forma de la parte frontal del cartucho de la batería encaje en la forma de la abertura de instalación de la batería y deslícela hasta que encaje en su lugar. Insértela completamente hasta que quede firmemente sujeta y se bloquee con un clic. De lo contrario, el cartucho puede desprenderse accidentalmente de la herramienta y causar lesiones al operario o a alguna persona que se encuentre cerca.
- No haga fuerza al insertar el cartucho de la batería. Si no se inserta suavemente, significa que no lo está instalando correctamente.

Funcionamiento del interruptor (Fig. 2)

PRECAUCIÓN:

- Antes de insertar el cartucho de la batería en la herramienta, asegúrese siempre de que el interruptor disparador funciona como es debido y que vuelve a la posición "OFF" (apagado) al soltarlo.

Para poner en marcha la herramienta, simplemente accione el interruptor disparador. La velocidad de la herramienta aumenta al incrementar la presión sobre el interruptor disparador. Suelte el interruptor disparador para detener la herramienta.

Encendido de la luz frontal (Fig. 3)

PRECAUCIÓN:

- No mire hacia la luz ni mire directamente hacia la fuente de luz.

Tire del interruptor disparador para encender la luz. La luz permanece encendida mientras se acciona el interruptor disparador. La luz se apaga entre 10 y 15 segundos después de soltar el disparador.

NOTA:

- Utilice un paño seco para limpiar la suciedad del cristal de la lámpara. Procure no rayar el cristal de la lámpara, puesto que puede disminuir el grado de iluminación.

Funcionamiento del interruptor de inversión (Fig. 4)

Esta herramienta está provista de un interruptor de inversión para cambiar la dirección de giro. Apriete la palanca del interruptor de inversión por el lado A para obtener un giro a la derecha o por el lado B para girar a la izquierda.

Cuando la palanca del interruptor de inversión está en la posición neutral, el interruptor disparador no se puede accionar.

PRECAUCIÓN:

- Antes de trabajar, compruebe siempre la dirección del giro.
- Utilice el interruptor de inversión sólo cuando la herramienta se haya detenido por completo, ya que, de lo contrario, la herramienta podría averiarse.
- Cuando no utilice la herramienta, coloque siempre la palanca del interruptor de inversión en la posición neutral.

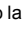
Cambio de velocidad (Fig. 5)

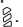
Para cambiar la velocidad, apague primero la herramienta y después deslice la palanca de cambio de velocidad hacia el lado "2" para seleccionar la velocidad rápida o hacia el lado "1" para seleccionar la velocidad lenta. Antes de trabajar, compruebe que la palanca de cambio de velocidad se encuentre en la posición pertinente. Seleccione la velocidad adecuada en función de la tarea que deba realizar.

PRECAUCIÓN:

- Coloque siempre la palanca de cambio de velocidad completamente en la posición pertinente. Si utiliza la herramienta cuando la palanca de cambio de velocidad se encuentra a medio camino entre el lado "1" y el lado "2", la herramienta puede averiarse.
- No utilice la palanca de cambio de velocidad mientras la herramienta está en funcionamiento, ya que, de lo contrario, la herramienta podría averiarse.

Ajuste del par de apriete (Fig. 6)

El par de apriete puede ajustarse en 18 pasos girando la anilla de ajuste de modo que sus graduaciones queden alineadas con el puntero del cuerpo de la herramienta. El par de apriete es mínimo cuando el número 1 está alineado con el puntero y máximo cuando la marca  está alineada con el puntero.

El acoplamiento se desplazará por los distintos niveles de apriete cuando se ajuste entre los números 1 y 18. El acoplamiento se ha diseñado para que no se desplace cuando se ajusta en la marca .

Antes de realizar el trabajo propiamente dicho, realice un atornillamiento de prueba en el material o en una pieza que no deba utilizar del mismo material para determinar el nivel de apriete necesario para la tarea.

MONTAJE

PRECAUCIÓN:

- Asegúrese siempre de apagar la herramienta y extraer el cartucho de la batería antes de intentar realizar cualquier tipo de operación en la herramienta.

Instalación o extracción de la punta del destornillador o de la broca de zócalo (Fig. 7)

Utilice sólo brocas que tengan la parte de inserción mostrada en la figura.

Para países de Europa, Norteamérica, Sudamérica, Australia y Nueva Zelanda

A=12 mm B=9 mm	Utilice sólo este tipo de broca. Siga el procedimiento (1). (Nota) La pieza de punta no es necesaria.
-------------------	--

Para otros países

A=17 mm B=14 mm	Para instalar estos tipos de brocas, siga el procedimiento (1). (Nota) Las brocas de Makita son de estos tipos.
A=12 mm B=9 mm	Para instalar estos tipos de brocas, siga el procedimiento (2). (Nota) La pieza de punta es necesaria para instalar la broca.

1. Para instalar la punta, tire de la camisa en la dirección de la flecha e inserte la punta en la camisa lo máximo posible. A continuación suelte la camisa para fijar la punta. (Fig. 8)
2. Para instalar la punta, tire de la camisa en la dirección de la flecha e inserte la pieza de punta y la broca en la camisa lo máximo posible. La pieza de punta debería insertarse en la camisa con su extremo acabado en punta hacia dentro. A continuación, suelte la camisa para fijar la punta. (Fig. 9)

Para extraer la punta, tire de la camisa en la dirección de la flecha y tire firmemente de la punta.

NOTA:

- Si la punta no se ha insertado suficientemente en la camisa, la camisa no volverá a su posición original y la punta no estará fijada. En ese caso, intente volver a insertar la punta de acuerdo con las instrucciones anteriores.

MANEJO

PRECAUCIÓN:

- Inserte siempre el cartucho de la batería hasta que quede completamente sujeto. Si puede ver la parte roja de la zona superior del botón, significa que el cartucho no está completamente bloqueado. Insértelo completamente hasta que la parte roja quede oculta. De lo contrario, el cartucho puede desprenderse accidentalmente de la herramienta y causar lesiones al operario o a alguna persona que se encuentre cerca. Sujete firmemente la empuñadura de la herramienta con una mano y ponga la otra mano debajo del cartucho de la batería para controlar el movimiento de torsión.

Función de atornillamiento (Fig. 10)

PRECAUCIÓN:

- Fije la anilla de ajuste en el par de apriete adecuado para la tarea que deba realizar.
- Coloque la punta del destornillador en la cabeza del tornillo y ejerza presión sobre la herramienta. Ponga en funcionamiento la herramienta lentamente y, a continuación, aumente la velocidad progresivamente. Suelte el interruptor disparador en cuanto se active el embrague.

PRECAUCIÓN:


- Asegúrese de insertar la punta del destornillador en la cabeza del tornillo de forma recta, ya que, de lo contrario, el tornillo y/o la punta podrían sufrir daños.

NOTA:

- Cuando utilice tornillos para madera, perforo primero unos orificios a modo de guía para facilitar el atornillamiento y evitar la fragmentación del material. Consulte la figura.

Diámetro nominal de los tornillos para madera (mm)	Tamaño recomendado del orificio guía (mm)
3,1	2,0 - 2,2
3,5	2,2 - 2,5
3,8	2,5 - 2,8
4,5	2,9 - 3,2
4,8	3,1 - 3,4
5,1	3,3 - 3,6
5,5	3,7 - 3,9
5,8	4,0 - 4,2
6,1	4,2 - 4,4

Operación de taladrado

En primer lugar, gire la anilla de ajuste de modo que el puntero quede alineado con la marca . A continuación, siga estas indicaciones.

Perforación en madera

Los mejores resultados al realizar una perforación en madera se obtienen con las brocas para madera equipadas con un tornillo guía, ya que facilita la perforación puesto que inserta la broca en la pieza de trabajo.

Perforación en metal

Para evitar que la broca resbale al empezar la perforación, realice una mella con un punzón para marcas y un martillo en el punto exacto de la perforación. Sitúe la broca en la mella y empiece a perforar. Utilice un lubricante para cortes cuando perfore metales, salvo para el hierro y el bronce, ya que deben perforarse en seco.

PRECAUCIÓN:

- Apretar la herramienta en exceso no acelerará la perforación. De hecho, esta presión excesiva sólo servirá para dañar la punta de la broca, reducir el rendimiento de la herramienta y acortar su vida útil.
- En el momento de realizar el orificio, se ejerce una presión enorme sobre la herramienta y la broca. Sujete firmemente la herramienta y tenga mucho cuidado cuando la broca empieza a perforar el material.
- Para sacar una broca atascada, sólo tiene que ajustar el interruptor de inversión en el giro inverso. Sin embargo, la herramienta puede retroceder bruscamente si no la sujeta con fuerza.
- Sujete siempre las piezas de trabajo pequeñas en una prensa de tornillo o un dispositivo de sujeción similar.
- Si la herramienta se utiliza continuamente hasta que el cartucho de la batería se descarga, deje reposar la herramienta durante 15 minutos antes de continuar con una batería cargada.

Utilización de la herramienta como destornillador de mano (Fig. 11)

Apague la herramienta.
Mueva el botón de bloqueo hasta la posición A.
Gire la herramienta.

NOTA:

- Utilice la herramienta con un par de apriete inferior a 12,5 Nm (127 kgf.cm).

- Este uso es adecuado para comprobar el atornillamiento.
- No utilice la herramienta para trabajos que requieran una fuerza excesiva, como el apriete de pernos o la extracción de tornillos oxidados.

Utilización de la pistolera

PRECAUCIÓN:

- No la utilice para herramientas como taladros cuando haya una broca instalada.
- Apague la herramienta y espere hasta que se detenga por completo antes de colocarla en la pistolera. Asegúrese de cerrar la pistolera firmemente de forma que sujete firmemente la herramienta.

Haga pasar un cinturón o un elemento similar a través del soporte de la pistolera.

Ponga la herramienta en la pistolera y bloquéela con el botón de la pistolera. (Fig. 12 y 13)

Se puede guardar dos puntas en la parte anterior de la pistolera. (Fig. 14)

MANTENIMIENTO

PRECAUCIÓN:

- Asegúrese de apagar siempre la herramienta y extraer el cartucho de la batería antes de intentar realizar cualquier trabajo de inspección o mantenimiento en ella.

Para conservar la SEGURIDAD y la FIABILIDAD del producto, los trabajos de reparación y otros trabajos de mantenimiento y ajuste deberán ser realizados en centros de servicio autorizados de Makita, utilizando siempre repuestos Makita.

ACCESORIOS

PRECAUCIÓN:

- Se recomienda el uso de estos accesorios o complementos con la herramienta Makita especificada en este manual. El uso de otros accesorios o complementos puede conllevar el riesgo de ocasionar daños corporales. Utilice los accesorios o complementos solamente para su fin establecido.

Si necesita cualquier ayuda para obtener más información relativa a estos accesorios, pregunte al centro de servicio Makita local.

- Brocas de taladro
- Puntas de destornillador
- Brocas de zócalo
- Pieza de punta
- Diversos tipos de baterías y cargadores originales de Makita
- Pistolera
- Maletín de plástico para el transporte

Sólo para los países europeos

Ruido ENG103-1

Nivel de ruido típico de ponderación A establecido según EN60745-2-1:

Nivel de presión de sonido (L_{pA}): 70 dB (A) o menos

El nivel de ruido durante el trabajo puede superar los 85 dB (A)

Utilice protección para los oídos

Vibración ENG202-1

Valor total de la vibración (suma de vectores triaxiales) determinada según el estándar EN60745-2-1:

Modo de trabajo: Taladrado en metal

Emisión de vibraciones ($a_{h,D}$): 2,5 m/s² o menos

DECLARACIÓN DE CONFORMIDAD DE LA CE

Modelo; DF030D ENH102-7

Declaramos bajo nuestra exclusiva responsabilidad que este producto cumple con los siguientes estándares de documentos estandarizados;

EN60745, EN55014 de acuerdo con las directivas del Consejo, 2004/108/EC, 98/37/EC.

CE 2007



Tomoyasu Kato
Director

Fabricante responsable:

Makita Corporation

3-11-8, Sumiyoshi-cho, Anjo, Aichi, JAPÓN

Representante autorizado en Europa:

Makita International Europe Ltd.

Michigan Drive, Tongwell, Milton Keynes, Bucks MK15 8JD, ENGLAND

Descrição geral

- | | | |
|-----------------------------------|--------------------------------------|------------------|
| 1. Botão | 6. Manípulo de mudança de velocidade | 10. Broca |
| 2. Bateria | 7. Anel de ajuste | 11. Manga |
| 3. Gatilho | 8. Graduação | 12. Monta-brocas |
| 4. Lâmpada | 9. Ponteiro | |
| 5. Manípulo de mudança de rotação | | |

ESPECIFICAÇÕES

Modelo		DF030D
Capacidades	Aço	10 mm
	Madeira	21 mm
	Parafuso de madeira	5,1 mm x 63 mm
	Parafuso da máquina	M6
Sem velocidade de rotação em carga (mín. ⁻¹)	Alto (2)	0 - 1.300
	Baixo (1)	0 - 350
Capacidade do mandril		6,35 mm
Comprimento total		157 mm
Peso líquido		0,88 kg
Voltagem nominal		CC 10,8 V

- Devido à pesquisa e desenvolvimento constantes, estas especificações estão sujeitas a alteração sem aviso prévio.
- Nota: estas especificações podem diferir de país para país.

Símbolos

END004-2

Descrição dos símbolos utilizados no equipamento.
Certifique-se de que compreende o seu significado, antes da utilização.



..... Leia o manual de instruções.

Utilização prevista

ENE034-1

A ferramenta destina-se a perfurar e aparafusar em madeira, metal e plástico.

REGRAS DE SEGURANÇA ESPECÍFICAS

GEB002-2

NÃO deixe que o progressivo à-vontade com o produto (resultante de uma utilização frequente) o faça esquecer o estrito cumprimento das regras de segurança para a funcionalidade de perfuração. Se utilizar a ferramenta incorrectamente ou não respeitar as regras de segurança, poderá ferir-se gravemente.

1. Quando executar operações em que acessórios de corte possam entrar em contacto com fios eléctricos ocultos ou com próprio cabo eléctrico da ferramenta, tenha o cuidado de tocar apenas nas superfícies isoladas desses acessórios. O contacto com um fio eléctrico ligado à corrente pode electrificar as peças de metal da ferramenta e causar um choque.
2. Procure uma posição em pé estável e firme. Se utilizar a ferramenta em locais altos, verifique se não há ninguém por baixo.
3. Segure bem na ferramenta.
4. Afaste as mãos das peças em movimento.

5. Não abandone a ferramenta a funcionar. Ponha-a a funcionar apenas quando estiver a segurá-la.
6. Não toque numa broca ou no material em que tiver estado a trabalhar logo após a operação porque podem estar demasiado quentes.
7. Alguns materiais contêm produtos químicos que podem ser tóxicos. Tenha cuidado para evitar a inalação de pó e contacto com a pele. Siga as instruções de segurança do fornecedor do material.

GUARDE ESTAS INSTRUÇÕES.

AVISO:

A UTILIZAÇÃO INCORRECTA ou o não cumprimento das regras de segurança fornecidas neste manual de instruções podem provocar ferimentos graves.

INSTRUÇÕES DE SEGURANÇA IMPORTANTES

ENC007-2

RELATIVAS À BATERIA

1. Antes de utilizar a bateria leia as instruções e chamadas de atenção de: (1) o carregador da bateria, (2) a bateria e, (3) o produto que utiliza a bateria.
2. Não desmonte a bateria.
3. Se o tempo de utilização com bateria se tornar demasiado curto, deve parar imediatamente. Se continuar, pode causar sobreaquecimento, fogo e mesmo explosão.
4. Se o electrolito entrar em contacto com os olhos, enxágue-os com água limpa e consulte

imediatamente um médico. Os riscos incluem perda de visão.

5. **Não provoque um curto-circuito na bateria:**
 - (1) **Não deixe que quaisquer materiais condutores entrem em contacto com os terminais da bateria.**
 - (2) **Evite guardar a bateria juntamente com outros objectos de metal como moedas, por exemplo.**
 - (3) **Não exponha a bateria a água ou chuva. Um curto-circuito na bateria pode criar uma grande carga eléctrica, sobreaquecimento, fogo e uma quebra da corrente.**
6. **Não guarde a ferramenta e a bateria em locais onde a temperatura possa atingir ou exceder 50 °C.**
7. **Não incinere a bateria, nem mesmo que esta se tenha avariado irremediavelmente ou se tenha gasto completamente com o uso. Pode explodir e causar fogo.**
8. **Não a deixe cair e evite o choque com outros objectos.**

GUARDE ESTAS INSTRUÇÕES.

Dicas para o máximo de tempo de vida da bateria

1. **Não espere que a bateria se gaste completamente para voltar a carregá-la. Pare a ferramenta e carregue a bateria sempre que detectar um baixo nível de energia.**
2. **Nunca volte a carregar uma bateria já completamente carregada. O carregamento excessivo diminui o tempo de vida das baterias.**
3. **Carregue a bateria a uma temperatura ambiente de 10 °C - 40 °C. Se a bateria estiver quente, deixe-a arrefecer antes de iniciar o carregamento.**

DESCRIÇÃO DO FUNCIONAMENTO

PRECAUÇÃO:

- Certifique-se sempre de que a ferramenta está desligada e a bateria foi removida antes de proceder a ajustamentos ou testar acessórios.

Inserir ou retirar a bateria (Fig. 1)

- Sempre que for inserir ou remover a bateria, desligue a ferramenta.
- Para retirar a bateria, puxe-a para fora ao mesmo tempo que prime os botões em ambos os lados do cartucho.
- Para introduzir a bateria, segure-a de maneira a que a forma dianteira da bateria encaixe na abertura do orifício da bateria.
Insira-a completamente até sentir um clique de encaixe. Caso contrário, pode cair da ferramenta e causar ferimentos em si, ou em alguém que esteja perto de si.
- Não exerça força ao inserir a bateria. Se não encaixar facilmente é porque não está correctamente posicionada.

O gatilho/interruptor (Fig. 2)

PRECAUÇÃO:

- Antes de inserir a pilha na ferramenta, verifique se o gatilho está a funcionar correctamente e se regressa à posição "OFF" quando o solta.

Para colocar a ferramenta em funcionamento prima o gatilho. A velocidade da ferramenta aumenta com a pressão exercida no gatilho. Para parar a ferramenta, solte o gatilho.

Ligar a luz dianteira (Fig. 3)

PRECAUÇÃO:

- Não olhe directamente para a luz da ferramenta. Para a acender, prima o gatilho. A lâmpada manter-se-á acesa enquanto o gatilho for premido. 10 a 15 segundos depois de o gatilho ser solto, a luz apaga-se.

NOTA:

- Para limpar a lâmpada, utilize um tecido seco. Tenha cuidado para não riscar a lente da lâmpada, pois poderia diminuir a intensidade da iluminação.

Inverter a direcção da rotação (Fig. 4)

Esta ferramenta tem um interruptor que permite inverter a direcção da rotação. Rode o interruptor a partir da posição A no sentido dos ponteiros do relógio, ou a partir da posição B no sentido contrário ao dos ponteiros do relógio.

Se o interruptor estiver na posição neutra, o gatilho não poderá ser premido.

PRECAUÇÃO:

- Verifique sempre a direcção da rotação antes da operação.
- Este interruptor deve ser utilizado apenas quando a ferramenta estiver completamente parada. Se alterar a direcção da rotação antes da ferramenta ter parado pode avariá-la.
- Quando a ferramenta não estiver a funcionar coloque o interruptor na posição neutra.

Alteração da velocidade (Fig. 5)



Para alterar a velocidade, primeiro desligue a ferramenta e, em seguida, coloque o manípulo de mudança de velocidade na posição "2" para uma velocidade alta, e na posição "1" para uma velocidade baixa. Certifique-se de que o manípulo de mudança de velocidade está na posição desejada antes de pôr a ferramenta a funcionar. Selecione a velocidade adequada ao trabalho que vai executar.

PRECAUÇÃO:

- Certifique-se de que o manípulo de mudança de velocidade fica colocado na posição correcta. Se puser a ferramenta a funcionar com o manípulo de mudança de velocidade numa posição indefinida entre as posições "1" e "2", a ferramenta pode avariar-se.
- Não utilize o manípulo de mudança de velocidade com a ferramenta em funcionamento. Pode avariar a ferramenta.

Ajuste da torção (Fig. 6)

O binário de aperto tem 18 posições que podem ser reguladas com o anel de ajuste, alinhando as graduações

relativamente ao ponteiro existente no corpo da ferramenta. A posição mínima corresponde ao alinhamento da seta com o número 1, e a posição máxima ao alinhamento do ponteiro com o indicador . A embraiagem patinará a vários níveis de binário quando o definido no número 1 a 18. A embraiagem foi concebida para não patinar no indicador .

Antes da operação propriamente dita, execute um teste; pode utilizar um pedaço desnecessário do mesmo material para determinar o nível adequado para o caso em particular.

MONTAGEM

PRECAUÇÃO:

- Certifique-se sempre de que a ferramenta está desligada e a bateria removida, antes de efectuar qualquer operação com acessórios.

Instalar ou retirar brocas ou brocas-chave (Fig. 7)

Utilize apenas brocas com uma parte de inserção mostrada na figura.

Para os países da Europa e América do Sul e do Norte, Austrália e Nova Zelândia

A=12 mm B=9 mm	Utilize apenas estes tipos de broca. Siga o procedimento (1). (Nota) Não é necessário um monta-brocas.
-------------------	---

Para outros países

A=17 mm B=14 mm	Para instalar estes tipos de broca, siga o procedimento (1). (Nota) As brocas Makita são deste tipo.
A=12 mm B=9 mm	Para instalar estes tipos de broca, siga o procedimento (2). (Nota) É necessário um monta-brocas para instalar a broca.

1. Para instalar a ponta, puxe a manga na direcção da seta e insira a ponta na manga o máximo possível. De seguida, solte a manga para fixar a ponta. (Fig. 8)
2. Para instalar a ponta, puxe a manga na direcção da seta e insira o monta-brocas e a broca na manga o máximo possível. O monta-brocas deve ser inserido na manga com a extremidade pontiaguda virada para dentro. De seguida, solte a manga para fixar a broca. (Fig. 9)

Para remover a broca, puxe a manga na direcção da seta e puxe a broca para fora com firmeza.

NOTA:

- Se a ponta não estiver suficientemente inserida na manga, esta não volta à posição original e a ponta não fica segura. Neste caso, tente inserir novamente a ponta de acordo com as instruções acima.

FUNCIONAMENTO

PRECAUÇÃO:

- Introduza sempre o cartucho da bateria até ao fundo, até que encaixe. Se ainda estiver visível a peça vermelha na parte superior do botão, não estará bem encaixada. Insira-a completamente, até deixar de ver a peça vermelha. Caso contrário, pode cair da

ferramenta e causar ferimentos em si, ou em alguém que esteja perto de si.

Segure bem na ferramenta, com uma mão na pega e a outra mão no fundo do cartucho da bateria, para controlar o movimento de torção.

Função de aparafusamento (Fig. 10)

PRECAUÇÃO:

- Ajuste o anel para um nível adequado ao trabalho. Coloque o acessório de chave de fendas e aperte. Ponha a ferramenta a funcionar a uma velocidade baixa e vá aumentando gradualmente. Liberte o gatilho assim que o tambor parar de rodar.

PRECAUÇÃO:


- Certifique-se de que o acessório está bem colocado, para que não se danifique.

NOTA:

- Em madeira, faça um orifício piloto no ponto pretendido para tornar a perfuração mais fácil e evitar que a madeira estale. Ver gráfico

Diâmetro nominal da perfuração em madeira (mm)	Tamanho recomendado para o orifício piloto (mm)
3,1	2,0 - 2,2
3,5	2,2 - 2,5
3,8	2,5 - 2,8
4,5	2,9 - 3,2
4,8	3,1 - 3,4
5,1	3,3 - 3,6
5,5	3,7 - 3,9
5,8	4,0 - 4,2
6,1	4,2 - 4,4

Função de perfuração

Primeiro ajuste o anel de modo a alinhar o ponteiro com a marca . Depois faça o seguinte.

Perfuração em madeira

Se perfurar madeira, para obter os melhores resultados utilize brocas de madeira com uma ponta de parafuso. A ponta de parafuso torna a perfuração mais fácil, fazendo a broca penetrar o material.

Perfuração em metal

Para evitar que a broca salte ao iniciar a perfuração, crie também um orifício piloto com um cinzel e um martelo, no ponto que deseja perfurar. Coloque a ponta da broca no orifício piloto e inicie a perfuração.

Utilize um lubrificante de corte para perfurar metais. Excepto em ferro e latão, que devem ser perfurados a seco.

PRECAUÇÃO:

- Exercer muita força sobre a ferramenta não irá aumentar a velocidade de perfuração. Na verdade, o excesso de força acabará apenas por danificar a ponta da broca, reduzir o desempenho da ferramenta e diminuir o seu tempo de vida útil.
- No início da perfuração já é exercida uma enorme força na broca e na própria ferramenta. Mantenha a

ferramenta firme e concentre-se no posicionamento da broca.

- Uma broca encravada pode ser retirada com facilidade invertendo o respectivo sentido de rotação através do interruptor de inversão de rotação. No entanto, tenha em atenção que, se não a segurar com firmeza, a ferramenta pode retroceder abruptamente.
- Quando trabalhar em peças pequenas, fixe-as num torno ou num dispositivo semelhante.
- Se mantiver a ferramenta a funcionar ininterruptamente até a bateria se gastar completamente, deixe-a em repouso durante 15 minutos antes de substituir a bateria.

Utilizar a ferramenta como uma chave de fendas manual (Fig. 11)

Desligar a ferramenta.

Mova o botão de bloqueio para a posição bloqueada A.

Vire a ferramenta.

NOTA:

- Utilize a ferramenta com um binário de aperto inferior a 12,5 Nm (127 kgf.cm).
- Esta utilização é conveniente para verificar o aperto de parafusos.
- Não utilize a ferramenta em trabalhos que exijam força excessiva, tais como apertar cavilhas ou remover parafusos enferrujados.

Utilizar o coldre

PRECAUÇÃO:

- Não utilize para ferramentas tais como uma perfuradora com uma broca instalada.
- Desligue uma ferramenta e aguarde até que pare totalmente, antes de a colocar no coldre. Certifique-se de que fecha totalmente o coldre, para que prenda a ferramenta com firmeza.

Passa um cinto ou semelhante através do suporte de coldre.

Coloque a ferramenta no coldre e fixe-a com o botão de coldre. (Fig. 12 e 13)

Podem ser colocadas duas brocas na parte dianteira do coldre. (Fig. 14)

MANUTENÇÃO

PRECAUÇÃO:

- Certifique-se sempre de que a ferramenta está desligada e a bateria removida antes de efectuar operações de inspecção ou de manutenção.

Para manter os níveis de SEGURANÇA e FIABILIDADE definidos para este produto, reparações, operações de manutenção ou ajustes devem ser executados por centros de assistência Makita autorizados e, no caso de substituição de peças, estas devem ser igualmente Makita.

ACESSÓRIOS

PRECAUÇÃO:

- Os seguintes acessórios ou extensões são os recomendados para utilizar com a ferramenta Makita especificada neste manual. A utilização de outros acessórios ou extensões podem provocar ferimentos.

Utilize cada acessório ou extensão apenas para o fim indicado.

Se precisar de informações adicionais relativas aos acessórios, contacte o centro local de assistência Makita.

- Brocas de perfuração
- Brocas de aparafusamento
- Brocas-chave
- Monta-brocas
- Vários tipos de baterias e carregadores Makita genuínos.
- Coldre
- Mala de transporte de plástico

Apenas para os países europeus

Ruído

ENG103-1

Os níveis acústicos ponderados A típicos foram determinados segundo a EN60745-2-1:

Nível de pressão sonora (L_{pA}): 70 dB (A) ou menos

O nível de ruído quando em funcionamento pode exceder os 85 dB (A)

Use protecção para os ouvidos

Vibração

ENG202-1

O valor total da vibração (soma triaxial de vectores) foi determinado segundo a EN60745-2-1:

Modo de trabalho: Perfuração em metal

Emissão de vibração ($a_{h,D}$): 2,5 m/s² ou menos

CE-DECLARAÇÃO DE CONFORMIDADE

ENH102-7

Modelo; DF030D

Declaramos, sob a nossa única responsabilidade, que este produto está em conformidade com as seguintes normas de documentos normalizados; EN60745, EN55014 em conformidade com as Directivas do Conselho, 2004/108/CE, 98/37/CE.

CE 2007



Tomoyasu Kato
Administrador

Fabricante responsável:

Makita Corporation

3-11-8, Sumiyoshi-cho, Anjo, Aichi, JAPÃO

Representante autorizado na Europa:

Makita International Europe Ltd.

Michigan Drive, Tongwell, Milton Keynes, Bucks MK15 8JD, INGLATERRA

Forklaring til generel oversigt

1. Knap	5. Skiftekontakthåndtag	9. Pil
2. Batteripakke	6. Hastighedshåndtag	10. Bit
3. Kontaktgreb	7. Justeringsring	11. Muffe
4. Lampe	8. Gradinddeling	12. Bitstykke

SPECIFIKATIONER

Model		DF030D
Kapaciteter	Stål	10 mm
	Træ	21 mm
	Træskruer	5,1 mm x 63 mm
	Maskinskrue	M6
Hastighed uden belastning (min ⁻¹)	Høj (2)	0 - 1.300
	Lav (1)	0 - 350
Spændepatronkapacitet		6,35 mm
Længde i alt		157 mm
Nettovægt		0,88 kg
Nominel spænding		10,8 V DC

- På grund af vores løbende forsknings- og udviklingsprogram kan specifikationerne heri ændres uden forudgående varsel.
- Bemærk: Specifikationerne kan variere fra land til land.

Symboler

END004-2

Følgende viser de symboler, der benyttes til udstyret. Vær sikker på, at De forstår deres betydning, før De bruger værktøjet.



..... Læs brugsanvisningen.

Tilsigtet anvendelse

ENE034-1

Værktøjet er beregnet til at bore og skrue skrue i træ, metal og plastik.

SPECIFIKKE SIKKERHEDSREGLER

GEB002-2

LAD IKKE tryghed eller kendskab til produktet (fra gentagen brug) føre til, at De ikke strengt overholder sikkerhedsreglerne for boret. Hvis maskinen anvendes på usikker eller forkert vis, kan De komme alvorligt til skade.

1. Hold maskiner i de isolerede gribeplader, når De udfører arbejde, hvor skæreværktøjet kan komme i kontakt med skjulte ledninger eller værktøjets egen ledning. Ved kontakt med strømførende ledninger bliver udsatte metaldele på værktøjet strømførende, hvorved operatøren kan få elektrisk stød.
2. Sørg altid for at have et solidt fodfæste. Sørg for, at der ikke er nogen under Dem, når De benytter værktøjet på højtliggende steder.
3. Hold godt fast i værktøjet.
4. Hold hænderne på afstand af roterende dele.
5. Gå ikke fra værktøjet, mens det kører. Lad kun værktøjet køre, mens De holder det i hænderne.

6. Rør ikke boret eller arbejdsområdet umiddelbart efter brugen. De kan være meget varme og kan forårsage forbrændinger af huden.
7. Nogle materialer indeholder kemikalier, som kan være giftige. Undgå at indånde støv eller få det på huden. Følg sikkerhedsinstruktionerne fra leverandøren af materialerne.

GEM DISSE INSTRUKTIONER.**ADVARSEL:**

MISBRUG eller manglende overholdelse af sikkerhedsreglerne i denne brugsanvisning kan medføre alvorlig personskaade.

VIGTIGE SIKKERHEDSINSTRUKTIONER

ENC007-2

FOR BATTERIPAKKEN

1. Før brugen af batteripakken skal De læse alle instruktioner og advarsler på (1) batteriopladeren, (2) batteriet og (3) det produkt, som batteriet anvendes i.
2. Skil ikke batteripakken ad.
3. Hvis driftstiden bliver betydeligt kortere, skal De straks ophøre med brugen. Brug kan medføre risiko for overophedning, mulige forbrændinger eller endog eksplosion.
4. Hvis De får elektrolyt i øjnene, skal De med det samme rense øjnene med rent vand og søge læge. Dette kan medføre tab af synet.
5. Kortslut ikke batteripakken:

- (1) Undgå at røre ved terminalerne med ledende materiale.
 - (2) Undgå at opbevare batteripakken i en beholder med andre metalgenstande som f.eks. søm, mønter osv.
 - (3) Udsæt ikke batteripakken for vand eller regn. Hvis batteriet kortsluttes, kan det medføre voldsom strøm, overophedning, mulige forbrændinger og endog nedbrud.
6. Undgå at opbevare værktøjet og batteripakken på steder, hvor temperaturen kan komme op på eller overstige 50 °C (122 °F).
 7. Sæt ikke ild til batteripakken, selvom den er alvorligt beskadiget eller helt udtjent. Batteripakken kan eksplodere ved brand.
 8. Undgå at tabe eller slå på batteriet.

GEM DISSE INSTRUKTIONER.

Tip til, hvordan De forlænger batteriets levetid

1. Udskift batteripakken, før den bliver helt afladet. Ophør med at bruge værktøjet, og oplad batteripakken, hvis strømmen til værktøjet aftager.
2. Oplad aldrig en fuldt opladet batteripakke. Overopladning forkorter batteriets levetid.
3. Oplad batteripakken ved stuetemperatur på 10 °C – 40 °C (50 °F – 104 °F). Lad batteripakken køle ned, før den oplades, hvis den er varm.

FUNKTIONSBEKRIVELSE

FORSIGTIG:

- Sørg altid for, at værktøjet er slukket, og at batteripakken er taget ud, før De justerer værktøjet eller kontrollerer dets funktion.

Montering eller afmontering af batteripakken (Fig. 1)

- Sluk altid for værktøjet, før De monterer eller afmonterer batteripakken.
- Ved afmontering af batteripakken trækkes den ud af værktøjet, mens der trykkes på knapperne på begge sider af pakken.
- Når De sætter batteripakken i, skal De holde den sådan, at forkanten på batteripakken passer ind i batteriåbningen, og skubbe den ind på plads. Sæt den altid helt ind, indtil den låses på plads med et lille klik. Ellers kan den falde ud af værktøjet og skade Dem eller andre personer i nærheden.
- Brug ikke magt ved indsættning af batteripakken. Hvis den ikke glider let ind, er den ikke indsat korrekt.

Betjening af kontakt (Fig. 2)

FORSIGTIG:

- Før batteripakken sættes i værktøjet, skal De altid kontrollere, at kontaktgrebet reagerer korrekt og vender tilbage i "OFF"-stillingen, når De slipper det. For at starte værktøjet skal De blot trykke på kontaktgrebet. Værktøjets hastighed forøges ved at trykke hårdere på kontaktgrebet. Slip kontaktgrebet for at stoppe.

Tænding af lampen (Fig. 3)

FORSIGTIG:

- Se ikke direkte ind i lyset eller lyskilden. Træk i kontaktgrebet for at tænde lampen. Lampen forbliver tændt, så længe der trækkes i kontaktgrebet. Lampen slukkes 10-15 sekunder efter, at grebet slippes.

BEMÆRK:

- Benyt en tør klud til at tørre snavs af lampens linse. Pas på ikke at ridse lampens linse, da det kan mindske lysstyrken.

Betjening af skiftekontakten (Fig. 4)

Værktøjet har en skiftekontakt til at ændre rotationsretningen. Tryk skiftekontakten mod A-siden for rotation med uret eller mod B-siden for rotation mod uret. Når skiftekontakthåndtaget er i neutral stilling, kan kontaktgrebet ikke trækkes ind.

FORSIGTIG:

- Kontroller altid rotationsretningen før anvendelsen.
- Betjen ikke skiftekontakten, før værktøjet er helt stoppet. Hvis rotationsretningen ændres, når værktøjet ikke er helt stoppet, kan det beskadige værktøjet.
- Sæt altid skiftekontakthåndtaget i neutral stilling, når værktøjet ikke anvendes.

Ændring af hastigheden (Fig. 5)

Hvis De vil ændre hastigheden, skal De først slukke for værktøjet og derefter trække hastighedshåndtaget mod siden "2" for høj hastighed eller mod siden "1" for lav hastighed. Kontroller før anvendelsen, at hastighedshåndtaget er i den korrekte stilling. Brug den rette hastighed til jobbet.

FORSIGTIG:

- Sæt altid hastighedshåndtaget helt ud i den rette stilling. Hvis værktøjet betjenes med hastighedshåndtaget indstillet halvvejs mellem "1" og "2", kan det beskadige værktøjet.
- Betjen ikke hastighedshåndtaget, mens værktøjet kører. Dette kan beskadige værktøjet.

Justering af strammingsmomentet (Fig. 6)

Strammingsmomentet kan indstilles til 18 trin ved at dreje på justeringsringen, så dens gradinddeling er justeret med pilen på værktøjet. Strammingsmomentet er mindst, når tallet 1 er justeret med pilen, og højst, når $\frac{2}{2}$ -mærket er justeret med pilen. Koblingen slipper ved de forskellige strammingsmomenter, når det er indstillet til tallene 1 til 18. Koblingen er designet til ikke at slippe ved $\frac{2}{2}$ -indstillingen. Før den faktiske anvendelse skal De sætte en prøveskruer i arbejdsområdet eller i et stykke lignende materiale for at finde ud af, hvilket moment der kræves til en bestemt anvendelse.

MONTERING

FORSIGTIG:

- Sørg altid for, at værktøjet er slukket, og at batteripakken er taget ud, før De udfører nogen form for arbejde på værktøjet.

Montering eller afmontering af skruebitten eller topbitten (Fig. 7)

Brug kun bits der har samme monteringsstykke som vist på figuren.

Kun for lande i Europa og Nord & Sydamerika, Australien og New Zealand

A=12 mm B=9 mm	Brug kun disse typer bits. Følg fremgangsmåde (1). (Bemærk) Bitstykke er ikke nødvendigt.
-------------------	--

For andre lande

A=17 mm B=14 mm	Følg fremgangsmåde (1) for at montere disse typer bits. (Bemærk) Disse typer er Makita-bits.
A=12 mm B=9 mm	Følg fremgangsmåde (2) for at montere disse typer bits. (Bemærk) Der behøves ikke noget bitstykke for at montere bitten.

1. Træk muffen i pilens retning, og sæt bitten så langt ind i muffen, som den kan komme, for at montere bitten. Slip derefter muffen for at låse bitten fast. (Fig. 8)
2. Træk muffen i pilens retning, og sæt bitstykket og bitten så langt ind i muffen, som de kan komme, for at montere bitten. Bitstykket skal sættes ind i muffen med den spidse ende vendende indad. Slip derefter muffen for at låse bitten fast. (Fig. 9)

For at tage bitten ud skal De trække muffen i pilens retning, og trække bitten helt ud.

BEMÆRK:

- Hvis bitten ikke sidder langt nok ind i muffen, kan muffen ikke vende tilbage i den oprindelige position, og bitten vil ikke sidde fast. Prøv i så fald at sætte bitten ind igen i overensstemmelse med ovenstående instruktioner.

BETJENING

FORSIGTIG:

- Sæt altid batteripakken helt ind, indtil den låses på plads. Hvis den røde del øverst på knappen er synlig, er batteripakken ikke låst helt fast. Sæt den helt ind, indtil den røde del ikke er synlig. Ellers kan den falde ud af værktøjet og skade Dem eller andre personer i nærheden.

Hold godt fast i værktøjet med den ene hånd på håndtaget og den anden på bunden af batteripakken for at styre drejningen.

Betjening som skruetrækker (Fig. 10)

FORSIGTIG:

- Indstil justeringsringen til det rigtige strammingsmoment til formålet.

Placer skruebitten i skruehovedet, og tryk med værktøjet. Start værktøjet langsomt, og forøg gradvist hastigheden. Slip kontaktrebet, så snart koblingen slår fra.

FORSIGTIG:

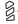
- Sørg for, at skruebitten sættes lige ned i skruehovedet. I modsat fald kan skruen og/eller bitten blive beskadiget.

BEMÆRK:

- Ved skruning af træskruer skal De forbore styrehuller for at gøre det lettere at sætte skruerne i og for at forhindre, at arbejdsområdet flækker. Se diagrammet.

Nominel diameter af træskruer (mm)	Anbefalet størrelse af styrehul (mm)
3,1	2,0 - 2,2
3,5	2,2 - 2,5
3,8	2,5 - 2,8
4,5	2,9 - 3,2
4,8	3,1 - 3,4
5,1	3,3 - 3,6
5,5	3,7 - 3,9
5,8	4,0 - 4,2
6,1	4,2 - 4,4

Anvendelse til boring

Drej først justeringsringen, så pilen peger mod -mærket. Benyt derefter følgende fremgangsmåde.

Boring i træ

Ved boring i træ opnås de bedste resultater med træbor, som er udstyret med en styreskruer. Styreskruen gør det lettere at bore ved at trække boret ind i arbejdsområdet.

Boring i metal

Lav en fordybning med en kørner og en hammer på det sted, hvor der skal bores, for at forhindre, at boret glider, når De starter på et hul. Placer borspidsen i fordybningen, og begynd at bore.

Anvend skæreolie ved boring i metaller. Undtagelser fra denne regel er jern og messing, der skal bores tørre.

FORSIGTIG:

- Boringen går ikke hurtigere, hvis De trykker hårdt på værktøjet. Det ekstra tryk vil blot beskadige boret spids, så værktøjets ydelse forringes, og dets levetid forkortes.
- Værktøjet og boret er under påvirkning af stærke kræfter på det tidspunkt, hvor boret bryder igennem. Hold godt fast i værktøjet, og vær opmærksom, når boret begynder at bryde igennem arbejdsområdet.
- Hvis boret sidder fast, kan det tages ud ved blot at indstille skiftekontakten til baglæns rotation for at bakke det ud. Vær imidlertid opmærksom på, at værktøjet kan bakke ud pludseligt, hvis De ikke holder godt fast i det.
- Fastgør altid små arbejdsstykker i en skruestik eller lignende udstyr til fastgørelse.
- Hvis værktøjet betjenes konstant, indtil batteripakken er afladet, skal De lade værktøjet hvile i 15 minutter, før De fortsætter med et nyt batteri.

Brug af værktøjet som en håndskruetrækker (Fig. 11)

Sluk for værktøjet.

Flyt låseknappen hen på låsepositionen A.

Drej værktøjet.

BEMÆRK:

- Brug dette værktøj med et strammingsmoment på mindre end 12,5 Nm (127 kgf.cm).
- Denne brug er praktisk til kontrol af iskrutningen.

- Brug ikke værktøjet til arbejde der kræver ekstra stor kraft, som fx stramning af bolte eller udtagning af rustne skruer.

Brug af hylster

FORSIGTIG:

- Brug ikke hylster til værktøjer som fx en boremaskine med påmonteret bor.
- Sluk for værktøjet og vent indtil det er helt stoppet, inden De placerer det i hylsteret. Sørg for, at De lukker hylsteret ordentligt, sådan at det slutter tæt omkring værktøjet.

Før et bælte eller lignende igennem hylsterremmen.

Sæt værktøjet i hylsteret og lås det fast med hylsterknappen. (Fig. 12 og 13)

Der kan opbevares to bits foran på hylsteret. (Fig. 14)

VEDLIGEHOLDELSE

FORSIGTIG:

- Sørg altid for, at værktøjet er slukket, og at batteripakken er taget ud, før De forsøger at udføre inspektion eller vedligeholdelse.

For at holde produktet SIKKERT og PÅLIDELIGT skal reparationer samt al anden vedligeholdelse eller justering udføres af autoriserede Makita-servicecentre, og der skal altid benyttes Makita-reservedele.

TILBEHØR

FORSIGTIG:

- Dette tilbehør eller ekstraudstyr anbefales til brug med det Makita-værktøj, som er beskrevet i denne brugsanvisning. Brug af andet tilbehør eller ekstraudstyr kan forårsage personskade. Brug kun tilbehør eller ekstraudstyr til det formål, det er beregnet til.

Henvend Dem til Deres lokale Makita-servicecenter, hvis De har brug for hjælp eller yderligere oplysninger vedrørende tilbehøret.

- Bor
- Skruebits
- Topbits
- Bitstykke
- Forskellige typer af originale batterier og opladere fra Makita
- Hylster
- Plastikbæretaske

Kun for lande i Europa

Støj

ENG103-1

Det typiske A-vægtede lydtrykniveau bestemt i overensstemmelse med EN60745-2-1:

Lydtrykniveau (L_{pA}): 70 dB (A) eller mindre
Støjniveauet under arbejdet kan være større end 85 dB (A)

Bær høreværn

Vibration

ENG202-1

Den samlede vibrationsværdi (treaksiel vektorsum) bestemt i overensstemmelse med EN60745-2-1:

Arbejdstilstand: Boring i metal

Vibrationsemission ($a_{h,D}$): 2,5 m/s² eller mindre

EU-ERKLÆRING VEDRØRENDE OVERHOLDELSE AF STANDARDSER

ENH102-7

Model: DF030D

Vi erklærer og tager det fulde ansvar for, at produktet overholder følgende standarder i standardiseringsdokumenterne EN60745, EN55014 i overensstemmelse med Rådets direktiver 2004/108/EF, 98/37/EF.

CE 2007



Tomoyasu Kato
Direktør

Ansvarlig producent:

Makita Corporation

3-11-8, Sumiyoshi-cho, Anjo, Aichi, JAPAN

Autoriseret repræsentant i Europa:

Makita International Europe Ltd.

Michigan Drive, Tongwell, Milton Keynes, Bucks MK15 8JD, ENGLAND

Περιγραφή γενικής όψης

- | | | |
|-----------------------|-------------------------------|-------------------|
| 1. Κουμπί | 5. Αντιστροφή μοχλού διακόπτη | 9. Δείκτης |
| 2. Μπαταρία | 6. Μοχλός αλλαγής ταχύτητας | 10. Μύτη |
| 3. Σκανδάλη-διακόπτης | 7. Δακτύλιος ρύθμισης | 11. Περιβλήμα |
| 4. Λάμπα | 8. Διαβάθμιση | 12. Τεμάχιο μύτης |

ΠΡΟΔΙΑΓΡΑΦΕΣ

Μοντέλο		DF030D
Χωρητικότητα	Ατσάλι	10 mm
	Ξύλο	21 mm
	Ξυλόβιδα	5,1 mm x 63 mm
	Μηχανική βίδα	M6
Ταχύτητα χωρίς φορτίο (min ⁻¹)	Υψηλή (2)	0 - 1.300
	Χαμηλή (1)	0 - 350
Χωρητικότητα κεφαλής		6,35 mm
Ολικό μήκος		157 mm
Καθαρό βάρος		0,88 kg
Ονομαστική τιμή τάσης		D.C. 10,8 V

- Λόγω του συνεχόμενου προγράμματος που εφαρμόζουμε για έρευνα και ανάπτυξη, τα τεχνικά χαρακτηριστικά στο παρόν έντυπο υπόκεινται σε αλλαγή χωρίς προειδοποίηση.
- Σημείωση: Τα τεχνικά χαρακτηριστικά ενδέχεται να διαφέρουν ανάλογα με τη χώρα.

Σύμβολα

END004-2

Παρακάτω παρουσιάζονται τα σύμβολα που χρησιμοποιούνται για τον εξοπλισμό. Βεβαιωθείτε ότι κατανοείτε τη σημασία τους πριν από τη χρήση.



..... Διαβάστε το εγχειρίδιο οδηγιών.

Προοριζόμενη χρήση

ENE034-1

Το εργαλείο προορίζεται για τρυπάνισμα και βίδωμα σε ξύλο, μέταλλο και πλαστικό.

ΕΙΔΙΚΟΙ ΚΑΝΟΝΕΣ ΑΣΦΑΛΕΙΑΣ

GEB002-2

ΜΗΝ αφήσετε την άνεση ή την εξοικείωσή σας με το προϊόν (που αποκτήθηκε από επανειλημμένη χρήση) να αντικαταστήσει την αυστηρή προσήλωση στους κανόνες ασφάλειας του δραπάνου. Αν χρησιμοποιήσετε το ηλεκτρικό εργαλείο αυτό με ανασφαλές ή λανθασμένο τρόπο, μπορεί να υποστείτε σοβαρό προσωπικό τραυματισμό.

1. **Να κρατάτε τα ηλεκτρικά εργαλεία από τις λαβές με μόνωση όταν εκτελείτε εργασίες κατά τις οποίες το κοπτικό εργαλείο μπορεί να έρθει σε επαφή με κρυμμένα καλώδια ή με το ίδιο του το καλώδιο. Αν το εργαλείο έρθει σε επαφή με κάποιο ηλεκτροφόρο καλώδιο, μπορεί τα εκτεθειμένα μεταλλικά μέρη του εργαλείου να γίνουν κι αυτά ηλεκτροφόρα και να προκληθεί ηλεκτροπληξία στο χειριστή.**
2. **Να βεβαιώνετε πάντοτε ότι στέκεστε σταθερά. Όταν χρησιμοποιείτε το εργαλείο σε υψηλές τοποθεσίες, να βεβαιώνετε ότι δεν βρίσκεται κανένας από κάτω.**

3. **Να κρατάτε το εργαλείο σταθερά.**
4. **Μην πλησιάζετε τα χέρια σας σε περιστρεφόμενα μέρη.**
5. **Μην αφήνετε το εργαλείο σε λειτουργία. Το εργαλείο πρέπει να βρίσκεται σε λειτουργία μόνο όταν το κρατάτε.**
6. **Μην αγγίζετε τη μύτη τρυπανίσματος ή το τεμάχιο εργασίας αμέσως μετά τη λειτουργία του εργαλείου. Μπορεί να είναι εξαιρετικά θερμά και να προκληθεί έγκαιμα στο δέρμα σας.**
7. **Μερικά υλικά περιέχουν χημικά που μπορεί να είναι τοξικά. Προσέχετε ώστε να αποφεύγετε την εισπνοή σκόνης και την επαφή με το δέρμα. Ακολουθείτε τις οδηγίες ασφάλειας υλικού που παρέχονται από τον προμηθευτή.**

ΦΥΛΑΞΤΕ ΑΥΤΕΣ ΤΙΣ ΟΔΗΓΙΕΣ.

ΠΡΟΕΙΔΟΠΟΙΗΣΗ:

Η ΛΑΝΘΑΣΜΕΝΗ ΧΡΗΣΗ ή η αμέλεια στο να ακολουθήσετε τους κανόνες ασφάλειας που διατυπώνονται στο παρόν εγχειρίδιο οδηγιών μπορεί να προκαλέσει σοβαρό προσωπικό τραυματισμό.

ΣΗΜΑΝΤΙΚΕΣ ΟΔΗΓΙΕΣ ΑΣΦΑΛΕΙΑΣ

ENC007-2

ΓΙΑ ΤΗΝ ΜΠΑΤΑΡΙΑ

1. **Πριν χρησιμοποιήσετε την μπαταρία, διαβάστε όλες τις οδηγίες και τις ενδείξεις προφύλαξης στο (1) φορτιστή μπαταρίας, (2) στη μπαταρία και (3) στο προϊόν στο οποίο χρησιμοποιείται η μπαταρία.**
2. **Μην αποσυναρμολογείτε τη μπαταρία.**

3. Αν ο χρόνος λειτουργίας της μπαταρίας είναι υπερβολικά σύντομος, διακόψτε αμέσως τη λειτουργία. Αν συνεχίσετε, μπορεί να έχετε ως αποτέλεσμα τον κίνδυνο υπερθέρμανσης, πιθανών εγκαυμάτων ή ακόμη έκρηξης.
4. Αν μπει στα μάτια σας ηλεκτρολύτης, ξεπλύνετε με καθαρό νερό και αναζητήστε αμέσως ιατρική βοήθεια. Μπορεί να χάσετε την όρασή σας.
5. Μην βραχυκυκλώνετε την μπαταρία:
 - (1) Μην αγγίζετε τους ακροδέκτες με αγώγιμο υλικό.
 - (2) Μην αποθηκεύετε την μπαταρία σε δοχείο με άλλα μεταλλικά αντικείμενα, όπως καρφιά, νομίσματα, κτλ.
 - (3) Μην εκθέτετε την μπαταρία σε νερό ή βροχή. Αν βραχυκυκλωθεί η μπαταρία, μπορεί να προκληθεί μεγάλη ροή ηλεκτρικού ρεύματος, υπερθέρμανση, πιθανά εγκαύματα και ακόμη και καταστροφή της μπαταρίας.
6. Μην αποθηκεύετε το εργαλείο και την μπαταρία σε μέρη όπου η θερμοκρασία μπορεί να φτάσει ή να ξεπεράσει τους 50 °C (122 °F).
7. Μην αποτεφρώνετε την μπαταρία ακόμη κι αν παρουσιάζει σοβαρή ζημιά ή είναι εντελώς φθαρμένη. Η μπαταρία μπορεί να εκραγεί σε φωτιά.
8. Να προσέχετε να μη σας πέσει η μπαταρία και να μη συγκρουστεί με κάποιο αντικείμενο.

ΦΥΛΑΞΤΕ ΑΥΤΕΣ ΤΙΣ ΟΔΗΓΙΕΣ.

Συμβουλές για τη διατήρηση της μέγιστης ζωής της μπαταρίας

1. Να φορτίζετε την μπαταρία πριν αποφορτιστεί εντελώς. Πάντοτε να διακόπτετε τη λειτουργία του εργαλείου και να φορτίζετε την μπαταρία όταν παρατηρείται μειωμένη ισχύ του εργαλείου.
2. Ποτέ μην επαναφορτίζετε μια πλήρως φορτισμένη μπαταρία. Αν υπερφορτίσετε την μπαταρία, μειώνεται η ωφέλιμη διάρκεια ζωής της.
3. Να φορτίζετε την μπαταρία σε θερμοκρασία δωματίου, στους 10 °C - 40 °C (50 °F - 104 °F). Αν η μπαταρία είναι θερμή, αφήστε την να ψυχθεί πριν τη φορτίσετε.

ΠΕΡΙΓΡΑΦΗ ΛΕΙΤΟΥΡΓΙΑΣ

ΠΡΟΣΟΧΗ:

- Να βεβαιώνετε πάντοτε ότι έχετε σβήσει το εργαλείο και έχετε βγάλει την μπαταρία πριν ρυθμίσετε ή ελέγξετε κάποια λειτουργία του εργαλείου.

Τοποθέτηση ή αφαίρεση της μπαταρίας (Εικ. 1)

- Πάντοτε να σβήνετε το εργαλείο πριν βάξετε ή βγάξετε την μπαταρία.
- Για να βγάλετε την μπαταρία, τραβήξτε την από το εργαλείο καθώς πιέζετε τα κουμπιά και στις δυο πλευρές της μπαταρίας.

- Για να τοποθετήσετε την μπαταρία, κρατήστε τη έτσι ώστε η μπροστινή μορφή της μπαταρίας να ταιριάζει στο άνοιγμα στο οποίο τοποθετείται η μπαταρία και ολισθήστε την στη θέση της. Πάντοτε να την τοποθετείτε έως το τέρμα, δηλαδή έως ότου ασφαλίσει τη θέση και ακουστεί ένας χαρακτηριστικός ήχος («κλικ»). Σε αντίθετη περίπτωση, μπορεί να πέσει κατά λάθος από το εργαλείο και να τραυματίσει εσάς ή κάποιον παρευρισκόμενο.
- Να μη χρησιμοποιείτε δύναμη όταν τοποθετείτε την μπαταρία. Αν η μπαταρία δεν ολισθαίνει με ευκολία, δεν την εισήγατε σωστά.

Δράση διακόπτη (Εικ. 2)

ΠΡΟΣΟΧΗ:

- Πριν την τοποθέτηση της μπαταρίας στο εργαλείο, πάντοτε να ελέγχετε ότι η σκανδάλη-διακόπτης ενεργοποιείται κανονικά και επιστρέφει στη θέση "OFF" όταν την αφήνετε.

Για να ξεκινήσετε το εργαλείο, απλά πιέστε τη σκανδάλη-διακόπτη. Αν αυξήσετε την πίεση στη σκανδάλη-διακόπτη, αυξάνεται η ταχύτητα του εργαλείου. Για να σταματήσετε, αφήστε τη σκανδάλη-διακόπτη.

Άναμμα της μπροστινής λάμπας (Εικ. 3)

ΠΡΟΣΟΧΗ:

- Μην κοιτάτε κατευθείαν μέσα στο φως ή στην πηγή φωτός. Πιέστε τη σκανδάλη-διακόπτη για να ανάψετε τη λάμπα. Η λάμπα εξακολουθεί να είναι αναμμένη όσο πιέζετε τη σκανδάλη-διακόπτη. Η λάμπα σβήνει 10 έως 15 δευτερόλεπτα αφού αφήσετε τη σκανδάλη.

ΣΗΜΕΙΩΣΗ:

- Χρησιμοποιήστε ένα στεγνό πανί για να σκουπίσετε τη σκόνη από το φακό της λάμπας. Προσέχετε να μη γρατσουνίσετε το φακό της λάμπας, διότι έτσι ενδέχεται να μειωθεί η ένταση του φωτισμού.

Δράση αναστροφικού (Εικ. 4)

Το εργαλείο αυτό διαθέτει αναστροφικό για να αλλάζετε την κατεύθυνση περιστροφής. Πατήστε το αναστροφικό από την πλευρά Α για δεξιόστροφη περιστροφή ή από την πλευρά Β για αριστερόστροφη περιστροφή.

Όταν το αναστροφικό βρίσκεται στην ουδέτερη θέση, δεν μπορείτε να πατήσετε τη σκανδάλη-διακόπτη.

ΠΡΟΣΟΧΗ:

- Πριν από τη λειτουργία, να ελέγχετε πάντοτε την κατεύθυνση περιστροφής.
- Να χρησιμοποιείτε το αναστροφικό μόνο όταν το εργαλείο είναι εντελώς ακινητοποιημένο. Αν αλλάξετε την κατεύθυνση περιστροφής πριν ακινητοποιηθεί το εργαλείο, μπορεί να προκληθεί βλάβη στο εργαλείο.
- Όταν δεν χειρίζεστε το εργαλείο, να βάξετε πάντοτε το αναστροφικό στην ουδέτερη θέση.


Αλλαγή ταχύτητας (Εικ. 5)


Για να αλλάξετε την ταχύτητα, σβήστε πρώτα το εργαλείο και κατόπιν ολισθήστε το μοχλό αλλαγής ταχύτητας στην πλευρά "2" για υψηλή ταχύτητα ή στην πλευρά "1" για χαμηλή ταχύτητα. Πριν από τη λειτουργία, βεβαιωθείτε ότι ο μοχλός αλλαγής ταχύτητας είναι ρυθμισμένος στη σωστή θέση. Να χρησιμοποιείτε τη σωστή ταχύτητα, ανάλογα με την εργασία σας.

ΠΡΟΣΟΧΗ:

- Να ρυθμίζετε πάντοτε το μοχλό αλλαγής ταχύτητας πλήρως στη σωστή θέση. Αν χειρίζεστε το εργαλείο όταν ο μοχλός αλλαγής ταχύτητας βρίσκεται ανάμεσα στην πλευρά "1" και στην πλευρά "2", μπορεί να προκληθεί βλάβη στο εργαλείο.
- Μη χρησιμοποιείτε το μοχλό αλλαγής ταχύτητας όταν λειτουργεί το εργαλείο. Μπορεί να προκληθεί βλάβη στο εργαλείο.

Ρύθμιση της ροπής στερέωσης (Εικ. 6)

Μπορείτε να ρυθμίσετε τη ροπή στερέωσης σε 18 βήματα αν περιστρέψετε το δακτύλιο ρύθμισης με τρόπο ώστε οι διαβαθμίσεις του να ευθυγραμμίζονται με το βέλος στο κύριο σώμα του εργαλείου. Η ροπή στερέωσης είναι η ελάχιστη όταν ο αριθμός 1 είναι ευθυγραμμισμένος με το δείκτη, ενώ είναι η μέγιστη όταν η ένδειξη  είναι ευθυγραμμισμένη με το δείκτη.

Ο σφικτήρας θα ολισθαίνει σε διάφορα επίπεδα ροπής όταν τον ρυθμίζετε σε αριθμό από 1 έως 18. Ο σφικτήρας είναι σχεδιασμένος ώστε να μην ολισθαίνει όταν βρίσκεται στην ένδειξη . Πριν από τη λειτουργία, να βιδώνετε μια δοκιμαστική βίδα στο υλικό σας ή σε ένα κομμάτι πανομοιότυπου υλικού για να καθορίζετε το επίπεδο ροπής που απαιτείται για τη συγκεκριμένη εφαρμογή.

ΣΥΝΑΡΜΟΛΟΓΗΣΗ

ΠΡΟΣΟΧΗ:

- Να βεβαιώνετε πάντοτε ότι έχετε σβήσει το εργαλείο και έχετε βγάλει την μπαταρία πριν εκτελέσετε οποιαδήποτε εργασία σε αυτό.

Τοποθέτηση ή αφαίρεση της μύτης βιδώματος ή της υποδοχής της μύτης (Εικ. 7)

Χρησιμοποιήστε μόνο τις μύτες που διαθέτουν το τμήμα εισχώρησης που δείχνεται στην εικόνα.

Για χώρες της Ευρώπης και της Βόρειας & Νότιας Αμερικής, την Αυστραλία και τη Νέα Ζηλανδία

A=12 mm B=9 mm	Χρησιμοποιείτε μόνο μύτες αυτών των τύπων. Ακολουθήστε τη διαδικασία (1). (Σημείωση) Δεν είναι απαραίτητο το τεμάχιο της μύτης.
-------------------	---

Για άλλες χώρες

A=17 mm B=14 mm	Για να τοποθετήσετε τις μύτες αυτών των τύπων, ακολουθήστε τη διαδικασία (1). (Σημείωση) Οι μύτες της Makita είναι αυτών των τύπων.
A=12 mm B=9 mm	Για να τοποθετήσετε τις μύτες αυτών των τύπων, ακολουθήστε τη διαδικασία (2). (Σημείωση) Το τεμάχιο της μύτης είναι απαραίτητο για την τοποθέτηση της μύτης.

1. Για να τοποθετήσετε τη μύτη, τραβήξετε το περίβλημα προς την κατεύθυνση του βέλους και βάλτε τη μύτη μέσα στο περίβλημα όσο μέσα μπορεί να μπει. Μετά ελευθερώστε το περίβλημα για να στερεώσετε τη μύτη. (Εικ. 8)
2. Για να τοποθετήσετε τη μύτη, τραβήξετε το περίβλημα προς την κατεύθυνση του βέλους και το τεμάχιο της μύτης και τη μύτη μέσα στο περίβλημα όσο μέσα μπορεί να μπει. Το τεμάχιο της μύτης πρέπει να εισαχθεί μέσα στο περίβλημα με το μυτερό άκρο να βλέπει προς τα μέσα. Μετά ελευθερώστε το περίβλημα για να στερεώσετε τη μύτη. (Εικ. 9)

Για να αφαιρέσετε τη μύτη τραβήξετε το περίβλημα προς την διεύθυνση του βέλους και τραβήξτε γερά τη μύτη προς τα έξω.

ΣΗΜΕΙΩΣΗ:

- Εάν δεν έχει μπει η μύτη αρκετά βαθιά μέσα στο περίβλημα, το περίβλημα θα επιστρέψει στην αρχική του θέση και η μύτη δεν θα στερεωθεί. Σε αυτή την περίπτωση προσπαθήστε να βάλετε την μύτη σύμφωνα με τις παρακάτω οδηγίες.

ΛΕΙΤΟΥΡΓΙΑ

ΠΡΟΣΟΧΗ:

- Να εισάγετε πάντοτε την μπαταρία πλήρως, μέχρι να ασφαλίσει στη θέση της. Αν φαίνεται το κόκκινο τμήμα στην άνω πλευρά του κουμπιού, η μπαταρία δεν είναι πλήρως ασφαλισμένη. Εισαγάτε την πλήρως για να μη φαίνεται το κόκκινο τμήμα. Σε αντίθετη περίπτωση, μπορεί να πέσει κατά λάθος από το εργαλείο και να τραυματίσει εσάς ή κάποιον παρευρισκόμενο.

Κρατήστε το εργαλείο σταθερά με το ένα χέρι στη λαβή και το άλλο χέρι στο κάτω μέρος της μπαταρίας για να ελέγχετε την περιστροφική δράση.

Λειτουργία βιδώματος (Εικ. 10)

ΠΡΟΣΟΧΗ:

- Θέστε το δακτύλιο ρύθμισης στο σωστό επίπεδο ροπής για την εργασία σας. Τοποθετήστε το άκρο της μύτης βιδώματος στην κεφαλή της βίδας και ασκήστε πίεση στο εργαλείο. Ξεκινήστε αργά το εργαλείο και κατόπιν αυξήστε σταδιακά την ταχύτητα. Αφήστε τη σκανδάλη-διακόπτη μόλις ολισθήσει ο σφικτήρας.

ΠΡΟΣΟΧΗ:

- Βεβαιωθείτε ότι τοποθετήσατε τη μύτη βιδώματος απευθείας στην κεφαλή της βίδας. Διαφορετικά,

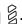
μπορεί να προκληθεί βλάβη στη βίδα ή/και στη μύτη.

ΣΗΜΕΙΩΣΗ:

- Όταν βιδώνετε ξυλόβιδες, τρυπανίστε από πριν καθοδηγητικές οπές για να διευκολύνετε το βιδωμα και να αποφεύγετε τη διάσπαση του τεμαχίου εργασίας. Ανατρέξτε στον πίνακα.

Ονομαστική διάμετρος της ξυλόβιδας (mm)	Συνιστώμενο μέγεθος καθοδηγητικής οπής (mm)
3,1	2,0 - 2,2
3,5	2,2 - 2,5
3,8	2,5 - 2,8
4,5	2,9 - 3,2
4,8	3,1 - 3,4
5,1	3,3 - 3,6
5,5	3,7 - 3,9
5,8	4,0 - 4,2
6,1	4,2 - 4,4

Λειτουργία τρυπανίσματος

Πρώτα, γυρίστε το δακτύλιο ρύθμισης ώστε ο δείκτης να είναι ευθυγραμμισμένος με την ένδειξη . Κατόπιν, συνεχίστε όπως περιγράφεται στη συνέχεια.

Τρυπάνισμα ξύλου

Όταν τρυπανίζετε σε ξύλο, έχετε καλύτερα αποτελέσματα με μύτες για ξύλο εξοπλισμένες με βίδα οδήγησης. Η βίδα οδήγησης κάνει το τρυπάνισμα πιο εύκολο επειδή τραβάει τη μύτη μέσα στο τεμάχιο εργασίας.

Τρυπάνισμα σε μέταλλο

Για να μην ολισθήσει η μύτη όταν ξεκινάτε τη δημιουργία μιας τρύπας, κάντε ένα κοίλωμα με πόντα και σφύρι στο σημείο όπου θα τρυπανίσετε. Τοποθετήστε τη μύτη στο κοίλωμα και ξεκινήστε το τρυπάνισμα.

Όταν τρυπανίζετε μέταλλα, χρησιμοποιήστε λιπαντικό κοπής. Εξάιρεση αποτελούν ο σίδηρος και ο χάλυβας που θα πρέπει να τρυπανίζονται στεγνοί.

ΠΡΟΣΟΧΗ:

- Δεν θα επιταχυνθεί το τρυπάνισμα αν πιέζετε υπερβολικά το εργαλείο. Στην πραγματικότητα, αυτή η υπερβολική πίεση θα προκαλέσει απλώς βλάβη στο άκρο της μύτης, θα μειώσει την απόδοση του εργαλείου και θα συντομεύσει την ωφέλιμη διάρκεια ζωής του.
- Ασκείται τεράστια δύναμη στο εργαλείο/μύτη τη στιγμή που διαπερνάει η οπή. Κρατήστε το εργαλείο σταθερά και προσέχετε όταν η μύτη ξεκινήσει να διαπερνάει το τεμάχιο εργασίας.
- Μπορείτε να βγάλετε μια μύτη που έχει εμπλακεί ρυθμίζοντας απλώς το αναστροφικό σε αντίστροφη κατεύθυνση περιστροφής ώστε να αποσυρθεί το εργαλείο. Όμως, το εργαλείο μπορεί να αποσυρθεί απότομα αν δεν το κρατάτε σταθερά.

- Να στερεώνετε πάντοτε τα μικρά τεμάχια εργασίας σε μέγγενη ή παρόμοια συσκευή συγκράτησης.
- Αν το εργαλείο λειτουργεί συνεχόμενα έως ότου αποφορτιστεί η μπαταρία, αφήστε το εργαλείο σβηστό για 15 λεπτά πριν συνεχίσετε την εργασία με καινούργια μπαταρία.

Χρήση του εργαλείου ως κατασβίδι χειρός (Εικ. 11)

Απενεργοποιήστε το εργαλείο.

Μετακινήστε το κουμπί κλειδώματος στην κλειδωμένη θέση Α.

Περιστρέψτε το εργαλείο.

ΣΗΜΕΙΩΣΗ:

- Χρησιμοποιήστε το εργαλείο με ροπή σύσφιξης μικρότερη από 12,5 Nm (127 kgf.cm).
- Αυτή η χρήση είναι βολική για τον έλεγχο του βιδώματος.
- Μην χρησιμοποιήσετε το εργαλείο για εργασίες που απαιτούν υπερβολική δύναμη, όπως το σφίξιμο μπουλονιών ή την αφαίρεση σκουριασμένων βιδών.

Χρήση πιστολιοθήκης

ΠΡΟΣΟΧΗ:

- Μην την χρησιμοποιήσετε για εργαλεία όπως ένα τρυπάνι στο οποίο είναι τοποθετημένη μια μύτη.
- Απενεργοποιήστε το εργαλείο και περιμένετε μέχρι να σταματήσει τελείως πριν το τοποθετήσετε στην πιστολιοθήκη. Βεβαιωθείτε να κλείσετε καλά την πιστολιοθήκη έτσι ώστε να κρατήσει το εργαλείο σταθερά.

Περάστε μια ζώνη ή κάτι παρόμοιο μέσα από την υποδοχή της πιστολιοθήκης.

Τοποθετήστε το εργαλείο μέσα στη πιστολιοθήκη και ασφαλίστε το με το κουμπί της πιστολιοθήκης.

(Εικ. 12 & 13)

Δυο μύτες μπορούν να φυλαχτούν στο μπροστινό μέρος της πιστολιοθήκης. (Εικ. 14)

ΣΥΝΤΗΡΗΣΗ

ΠΡΟΣΟΧΗ:

- Να βεβαιώνετε πάντοτε ότι έχετε σβήσει το εργαλείο και έχετε βγάλει την μπαταρία πριν εκτελέσετε οποιαδήποτε εργασία ελέγχου ή συντήρησης σε αυτό.

Για να διατηρείται η ΑΣΦΑΛΕΙΑ και η ΑΞΙΟΠΙΣΤΙΑ του προϊόντος, οι εργασίες επισκευής, καθώς και οποιαδήποτε άλλη εργασία συντήρησης ή ρύθμισης, θα πρέπει να εκτελούνται σε εξουσιοδοτημένα κέντρα εξυπηρέτησης της Makita, και πάντοτε με τη χρήση ανταλλακτικών της Makita.

ΑΞΕΣΟΥΑΡ

ΠΡΟΣΟΧΗ:

- Συνιστάται η χρήση των παρακάτω αξεσουάρ και εξαρτημάτων με το εργαλείο της Makita μόνο όπως καθορίζεται στο παρόν εγχειρίδιο. Αν χρησιμοποιήσετε άλλα αξεσουάρ ή εξαρτήματα μπορεί να παρουσιαστεί κίνδυνος για πρόκληση

ατομικού τραυματισμού. Να χρησιμοποιείτε τα αξεσουάρ και τα εξαρτήματα μόνο για το σκοπό για τον οποίο προορίζονται.

Αν χρειάζεστε κάποια βοήθεια ή περισσότερες πληροφορίες σχετικά με τα αξεσουάρ αυτά, απευθυνθείτε στο πλησιέστερο κέντρο εξυπηρέτησης της Makita.

- Μύτες τρυπανίσματος
- Μύτες βιδώματος
- Μύτες υποδοχής
- Τεμάχιο μύτης
- Διάφοροι τύποι γνήσιων μπαταριών και φορτιστών της Makita
- Πιστολιθήκη
- Πλαστική θήκη μεταφοράς

Για τις ευρωπαϊκές χώρες μόνο

Θόρυβος

ENG103-1

Το σύνθετος σταθμισμένο επίπεδο θορύβου που έχει καθοριστεί σύμφωνα με την EN60745-2-1:

Επίπεδο ηχητικής πίεσης (L_{pA}): 70 dB (A) ή λιγότερο

Το επίπεδο θορύβου σε λειτουργία ενδέχεται να υπερβεί τα 85 dB (A)

Να φοράτε ωτοασπίδες

Δόνηση

ENG202-1

Η συνολική τιμή δόνησης (διανυσματικών άθροισμα τριών αξόνων) που έχει καθοριστεί σύμφωνα με την EN60745-2-1:

Κατάσταση λειτουργίας: Τρυπάνισμα σε μέταλλο
Εκπομπή δόνησης ($a_{h,D}$): 2,5 m/s² ή λιγότερο

EC – ΔΗΛΩΣΗ ΣΥΜΜΟΡΦΩΣΗΣ

ENH102-7

Μοντέλο: DF030D

Δηλώνουμε με αποκλειστική ευθύνη μας ότι το προϊόν αυτό συμμορφώνεται με τα ακόλουθα πρότυπα των τυποποιημένων εντύπων: EN60745, EN55014 σε συμφωνία με τις Οδηγίες της Επιτροπής, 2004/108/ΕΚ, 98/37/ΕΚ.

CE 2007



Tomoyasu Kato
Διευθυντής

Υπεύθυνος Κατασκευαστής:

Makita Corporation

3-11-8, Sumiyoshi-cho, Anjo, Aichi, JAPAN

Εξουσιοδοτημένος Αντιπρόσωπος στην Ευρώπη:

Makita International Europe Ltd.

Michigan Drive, Tongwell, Milton Keynes, Bucks MK15 8JD, ΑΓΓΛΙΑ

Makita Corporation
Anjo, Aichi, Japan

884796-996