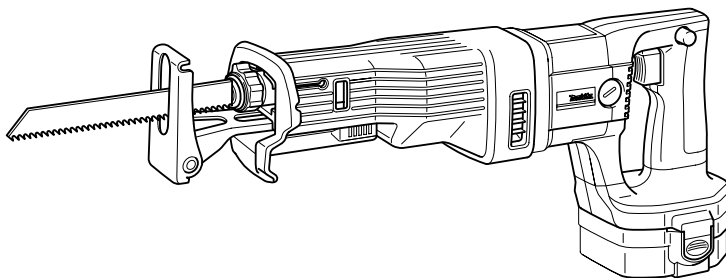
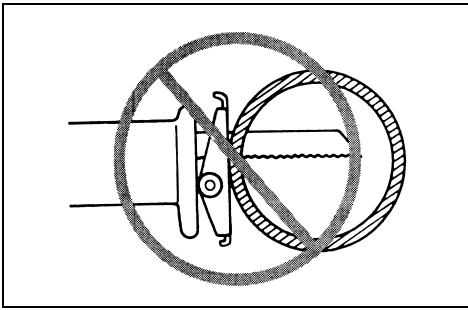


Makita®

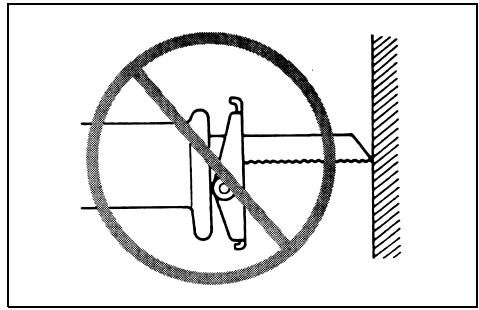
GB	Cordless Recipro Saw	Instruction Manual
F	Scie recipro sans fil	Manuel d'instructions
D	Akku-Reciprosäge	Betriebsanleitung
I	Seghetto alternativo a batteria	Istruzioni per l'uso
NL	Accu-reciprozaag	Gebruiksaanwijzing
E	Sierra de sable a batería	Manual de instrucciones
P	Serra de sabre a bateria	Manual de instruções
DK	Akku bajonetsav	Brugsanvisning
S	Sladdlös tigersåg	Bruksanvisning
N	Batteridrevet bajonetsag	Bruksanvisning
SF	Akkukäyttöinen puukkosaha	Käyttöohje
GR	Ασύρματο παλινδρομικό πριόνι	Οδηγίες χρήσεως

JR180D

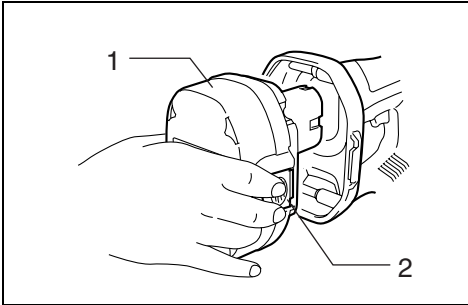




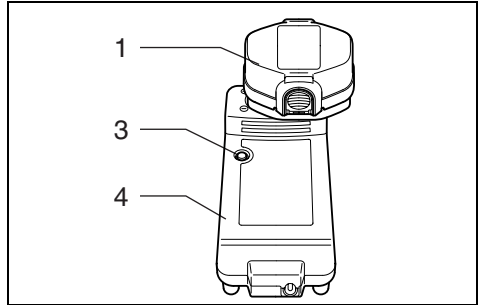
1



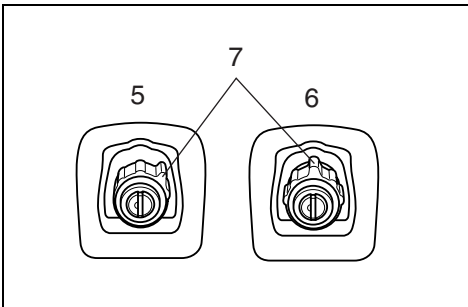
2



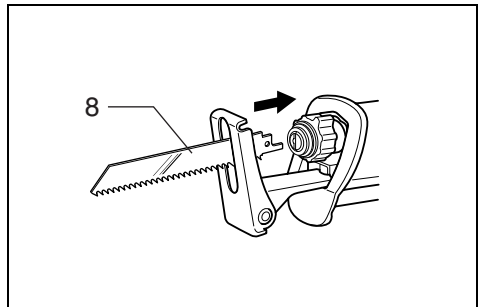
3



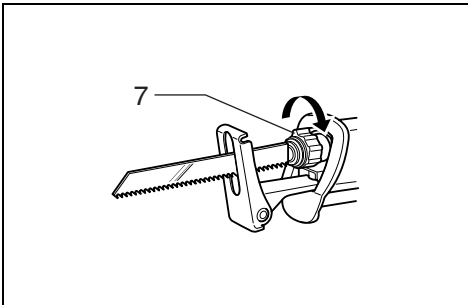
4



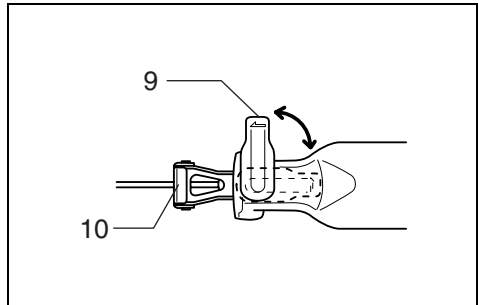
5



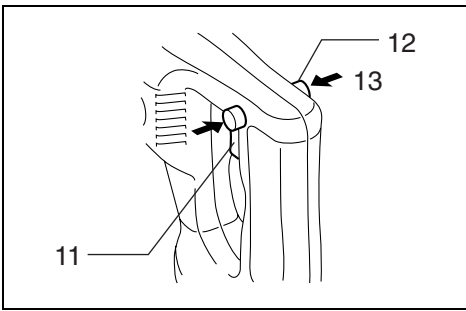
6



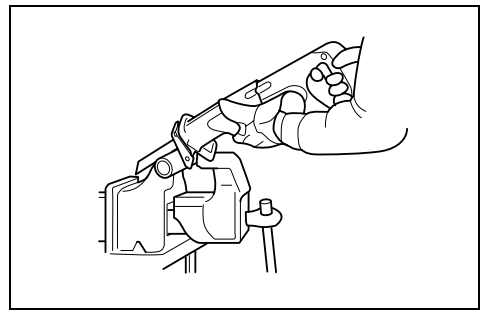
7



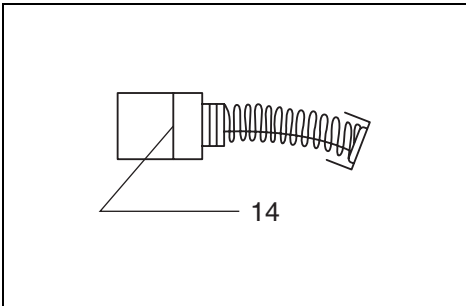
8



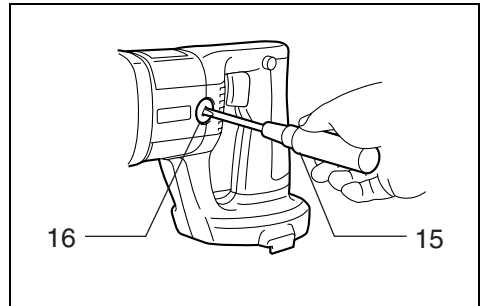
9



10



11



12

Explanation of general view

1 Battery cartridge	7 Blade clamp sleeve	13 Press in
2 Push button	8 Blade	14 Limit mark
3 Charging light	9 Lever	15 Screwdriver
4 Battery charger	10 Shoe	16 Brush holder cap
5 Released position	11 Switch trigger	
6 Fixed position	12 Lock-off button	

SPECIFICATIONS

Model	JR180D
Length of stroke	23 mm
Strokes per minute	0 – 2,700
Cutting capacities	
Pipe	90 mm
Wood	90 mm
Overall length	469 mm
Net weight (with battery cartridge)	3.5 kg
Rated voltage	D.C. 18 V

- Due to our continuing program of research and development, the specifications herein are subject to change without notice.
- Note: Specifications may differ from country to country.

Safety hints

For your own safety, please refer to the enclosed safety instructions.

IMPORTANT SAFETY INSTRUCTIONS FOR CHARGER & BATTERY CARTRIDGE

1. **SAVE THESE INSTRUCTIONS** — This manual contains important safety and operating instructions for battery charger.
2. Before using battery charger, read all instructions and cautionary markings on (1) battery charger, (2) battery, and (3) product using battery.
3. **CAUTION** — To reduce risk of injury, charge only MAKITA type rechargeable batteries. Other types of batteries may burst causing personal injury and damage.
4. Do not expose charger to rain or snow.
5. Use of an attachment not recommended or sold by the battery charger manufacturer may result in a risk of fire, electric shock, or injury to persons.
6. To reduce risk of damage to electric plug and cord, pull by plug rather than cord when disconnecting charger.
7. Make sure cord is located so that it will not be stepped on, tripped over, or otherwise subjected to damage or stress.
8. Do not operate charger with damaged cord or plug — replace them immediately.
9. Do not operate charger if it has recieved a sharp blow, been dropped, or otherwise damaged in any way; take it to a qualified serviceman.
10. Do not disassemble charger or battery cartridge; take it to a qualified serviceman when service or repair is required. Incorrect reassembly may result in a risk of electric shock or fire.

11. To reduce risk of electric shock, unplug charger from outlet before attempting any maintenance or cleaning. Turning off controls will not reduce this risk.

ADDITIONAL SAFETY RULES FOR CHARGER & BATTERY CARTRIDGE

1. Do not charge battery cartridge when temperature is **BELOW 10°C (50°F)** or **ABOVE 40°C (104°F)**.
2. Do not attempt to use a step-up transformer, an engine generator or DC power receptacle.
3. Do not allow anything to cover or clog the charger vents.
4. Always cover the battery terminals with the battery cover when the battery cartridge is not used.
5. Do not short the battery cartridge:
 - (1) Do not touch the terminals with any conductive material.
 - (2) Avoid storing battery cartridge in a container with other metal objects such as nails, coins, etc.
 - (3) Do not expose battery cartridge to water or rain.

A battery short can cause a large current flow, overheating, possible burns and even a breakdown.
6. Do not store the tool and battery cartridge in locations where the temperature may reach or exceed 50°C (122°F).
7. Do not incinerate the battery cartridge even if it is severely damaged or is completely worn out. The battery cartridge can explode in a fire.
8. Be careful not to drop, shake or strike battery.
9. Do not charge inside a box or container of any kind. The battery must be placed in a well ventilated area during charging.

ADDITIONAL SAFETY RULES FOR TOOL

1. Be aware that this tool is always in an operating condition, because it does not have to be plugged into an electrical outlet.
2. Wear a hard hat (safety helmet), safety glasses and/or face shield. It is also highly recommended that you wear a dust mask, ear protectors and thickly padded gloves.
3. Check the blade carefully for cracks or damage before operation. Replace cracked or damaged blade immediately.
4. Do not attempt to cut workpieces larger than specified in this manual (especially hollow pipe). The blade might snap and cause an injury. (Fig. 1)

5. Hold the tool firmly.
6. Be sure no one is below when using the tool in high locations.
7. Do not point the tool at anyone in the immediate vicinity.
8. When making a “blind” cut (you can’t see behind what is being cut), be sure that hidden electrical wiring or water pipes are not in the path of the cut. If wires are present, they must be disconnected at their power source by a qualified person or avoided to prevent the possibility of lethal shock or fire. Always hold the tool **ONLY** by the insulated gripping surfaces to prevent any electric shock if you accidentally cut through a “live” wire. Water pipes in “blind” areas must be drained and capped before cutting.
9. Be careful not to hit the end of the blade against something during operation. Damage to the tool or dangerous blade breakage may occur. (Fig. 2)
10. Watch out for cut-off portions of the workpiece being cut. They may fall and injure you or someone near you.
11. When cutting metals, be cautious of hot flying chips.
12. Do not touch the blade or the workpiece immediately after operation; they may be extremely hot and could burn your skin.
13. If you withdraw the blade from the workpiece during operation, strong reaction will be produced, causing the blade to snap or causing you to lose your grip and control of the tool. Always switch off the tool and wait until the blade has come to a complete stop before withdrawing the blade from the workpiece.

SAVE THESE INSTRUCTIONS.

OPERATING INSTRUCTIONS

Installing or removing battery cartridge (Fig. 3)

- Always switch off the tool before insertion or removal of the battery cartridge.
- To remove the battery cartridge, withdraw it from the tool while pressing the push buttons on both sides of the cartridge.
- To insert the battery cartridge, align the tongue on the battery cartridge with the groove in the housing and slip it into place. Always insert it all the way until it locks in place with a little click. If not, it may accidentally fall out of the tool, causing injury to you or someone around you.
- Do not use force when inserting the battery cartridge. If the cartridge does not slide in easily, it is not being inserted correctly.

Charging (Fig. 4)

Your new battery cartridge is not charged. You will need to charge it before use. Use the battery charger to charge the battery cartridge.

Plug the battery charger into the proper AC voltage source. The charging light will flash in green color. Insert the battery cartridge so that the plus and minus terminals on the battery cartridge are on the same sides as their respective markings on the battery charger. Insert the cartridge fully into the port so that it rests on the charger port floor. When the battery cartridge is inserted, the charging light color will change from green to red and charging will begin. The charging light will remain lit steadily during charging. When the charging light color changes from red to green, the charging cycle is complete. Refer to the table below for the charging time. If you leave the battery cartridge in the charger after the charging cycle is complete, the charger will switch into its “trickle charge (maintenance charge)” mode.

After charging, unplug the charger from the power source.

Battery type	Capacity (Ah)	Number of cells	Charging time
1822 (Ni-cd)	2.0	15	Approx. 45 min.
1833 (Ni-MH)	2.2	15	Approx. 50 min.
1834 (Ni-MH)	2.6	15	Approx. 60 min.
1835 (Ni-MH)	3.0	15	Approx. 70 min.

CAUTION:

- The battery charger is for charging Makita battery cartridge. Never use it for other purposes or for other manufacturer’s batteries.
- When you charge a new battery cartridge or a battery cartridge which has not been used for a long period of time, it may not accept a full charge. This is a normal condition and does not indicate a problem. You can recharge the battery cartridge fully after discharging it completely and recharging a couple of times.
- If you charge a battery cartridge from a just-operated tool or a battery cartridge which has been left in a location exposed to direct sunlight or heat for a long time, the charging light may flash in red color. If this occurs, wait for a while. Charging will begin after the battery cartridge cools. The battery cartridge will cool faster if you remove the battery cartridge from the battery charger.
- If the charging light flashes alternately in green and red color, a problem exists and charging is not possible. The terminals on the charger or battery cartridge are clogged with dust or the battery cartridge is worn out or damaged.

Trickle charge (Maintenance charge)

If you leave the battery cartridge in the charger to prevent spontaneous discharging after full charge, the charger will switch into its "trickle charge (maintenance charge)" mode and keep the battery cartridge fresh and fully charged.

Tips for maintaining maximum battery life

1. Charge the battery cartridge before completely discharged.
Always stop tool operation and charge the battery cartridge when you notice less tool power.
2. Never recharge a fully charged battery cartridge.
Overcharging shortens the battery service life.
3. Charge the battery cartridge with room temperature at 10°C – 40°C (50°F – 104°F).
Let a hot battery cartridge cool down before charging it.
4. Charge the Nickel Metal Hydride battery cartridge when you do not use it for more than six months.

Installing or removing saw blade

CAUTION:

- Always clean out all chips or foreign matter adhering to the blade, blade clamp and/or slider. Failure to do so may cause insufficient tightening of the blade, resulting in a serious injury.

To install the saw blade, always make sure that the blade clamp sleeve is in released position before inserting the saw blade. If the blade clamp sleeve is in fixed position, rotate the sleeve to the released position. (Fig. 5)

Insert the saw blade into the blade clamp as far as it will go. The blade clamp sleeve rotates and the saw blade is fixed. Make sure that the saw blade cannot be extracted even though you try to pull it out. (Fig. 6)

NOTE:

If you do not insert the saw blade deep enough, the saw blade may be ejected unexpectedly during operation. This can be extremely dangerous.

To remove the saw blade, rotate the blade clamp sleeve in the direction of the arrow fully. The saw blade is removed and the blade clamp sleeve is fixed at the released position. (Fig. 7)

NOTE:

If you remove the saw blade without rotating the blade clamp sleeve fully, the sleeve may not be fixed. In this case, rotate the blade clamp sleeve fully to make the sleeve fixed at the released position.

Adjusting the shoe (Fig. 8)

When the blade loses its cutting efficiency in one place along its cutting edge, reposition the shoe to utilize a sharp, unused portion of its cutting edge. This will help to lengthen the life of the blade. To reposition the shoe, loosen the lever and slide the shoe forward or back to the desired position. Then tighten the lever to firmly secure the shoe.

Switch action (Fig. 9)

CAUTION:

Before inserting the battery cartridge into the tool, always check to see that the switch trigger actuates properly and returns to the "OFF" position when released.

To prevent the trigger from being accidentally pulled, a lock-off button is provided. To start the tool, press in the lock-off button and pull the trigger. The lock-off button can be pressed in from either left or right side of the tool. Tool speed is increased by increasing pressure on the trigger. Release the trigger to stop.

Operation (Fig. 10)

Press the shoe firmly against the workpiece. Do not allow the tool to bounce. Bring the blade into light contact with the workpiece. First, make a pilot groove, using a slower speed. Then use a faster speed to continue cutting.

CAUTION:

- Always use a suitable coolant (cutting oil) when cutting metal. Failure to do so will cause premature blade wear.
- Always wear gloves to protect your hands from hot flying chips when cutting metal.
- Always press the shoe firmly against the workpiece during operation. If the shoe is held away from the workpiece during operation, strong vibration and/or twisting will be produced, causing the blade to snap dangerously.

MAINTENANCE

CAUTION:

Always be sure that the tool is switched off and the battery cartridge is removed before carrying out any work on the tool.

Replacement of carbon brushes (Fig. 11 & 12)

Replace carbon brushes when they are worn down to the limit mark. Both identical carbon brushes should be replaced at the same time.

To maintain product safety and reliability, repairs, maintenance or adjustment should be carried out by a Makita Authorized Service Center.

ACCESSORIES

CAUTION:

These accessories or attachments are recommended for use with your Makita tool specified in this manual. The use of any other accessories or attachments might present a risk of injury to persons. Only use accessory or attachment for its stated purpose.

If you need any assistance for more details regarding these accessories, ask your local Makita service center.

- Recipro saw blade
- Plastic carrying case
- Various type of Makita genuine batteries and chargers
- Battery cover

Descriptif

1	Batterie	7	Collet de serrage de la lame	13	Appuyer
2	Bouton-poussoir	8	Lame	14	Trait de limite d'usure
3	Voyant de charge	9	Levier	15	Tournevis
4	Chargeur de batterie	10	Sabot	16	Bouchon du porte-charbon
5	Position ouverte	11	Gâchette		
6	Position d'immobilisation	12	Bouton de sécurité		

SPECIFICATIONS

Modèle	JR180D
Longueur de course	23 mm
Nombre de courses/mn.	0 – 2 700
Capacités de coupe	
Tuyau	90 mm
Bois	90 mm
Longueur totale	469 mm
Poids net (Avec batterie)	3,5 kg
Tension nominale	18 V CC

- Etant donné l'évolution constante de notre programme de recherche et de développement, les spécifications contenues dans ce manuel sont sujettes à modification sans préavis.
- Note : Les spécifications peuvent varier suivant les pays.

Consignes de sécurité

Pour votre propre sécurité, reportez-vous aux consignes de sécurité qui accompagnent l'outil.

PRECAUTIONS TRES IMPORTANTES POUR LE CHARGEUR ET LA BATTERIE

1. **SUIVEZ CES INSTRUCTIONS** — Ce manuel contient d'importantes instructions relatives à la sécurité et au fonctionnement du chargeur.
2. Avant de vous servir du chargeur, lisez toutes les instructions et précautions relatives (1) au chargeur, (2) à la batterie, et (3) à la perceuse.
3. **ATTENTION** — Il est formellement déconseillé d'utiliser le chargeur pour charger des batteries autres que celles de marque MAKITA. Tout autre type d'accumulateur peut éclater, entraînant des dommages et causant des blessures.
4. N'exposez le chargeur ni à la pluie ni à la neige.
5. D'une manière générale, l'utilisation d'un accessoire électrique qui ne serait ni commercialisé ni recommandé par MAKITA peut être la cause de décharges électriques, d'incendie ou de blessure.
6. Pour débrancher le chargeur, tirez sur la prise et non sur le câble.
7. Veillez à ce que le câble soit placé de telle manière qu'il ne puisse pas causer de chutes pour les personnes qui circulent à proximité. Evitez également qu'il soit piétiné ou maltraité.
8. Surveillez l'état du câble et de la prise : aux premiers signes d'usure, remplacez-les immédiatement.
9. Si le chargeur est tombé, s'il a reçu un choc et qu'il a été endommagé, ne l'utilisez pas. Faites-le examiner au préalable par un technicien qualifié.

10. Ne tentez pas d'ouvrir la batterie ni de démonter le chargeur. Toute intervention est de la compétence d'un réparateur agréé. Un remontage maladroit peut dégénérer en incendie ou provoquer une décharge électrique.
11. Si vous nettoyez le chargeur, débranchez-le au préalable : seule cette mesure vous met réellement à l'abri des chocs électriques.

PRECAUTIONS SUPPLEMENTAIRES POUR LE CHARGEUR ET LA BATTERIE

1. Ne faites fonctionner le chargeur qu'avec une température ambiante supérieure à 10°C et inférieure à 40°C.
2. Le chargeur doit être branché directement sur le réseau alternatif : n'utilisez ni transformateur ni redresseur. Ne le branchez pas non plus sur un groupe électrogène.
3. Veillez à ce que les orifices d'aération du chargeur restent toujours dégagés.
4. Quand la batterie n'est pas en service, masquez les bornes avec le capuchon de vynil.
5. Ne mettez pas la batterie en court-circuit :
 - (1) Ne mettez pas les bornes en liaison avec un objet métallique.
 - (2) Ne rangez pas la batterie parmi des objets métalliques (clous, pièces de monnaie, etc...).
 - (3) La batterie ne doit être exposée ni à la pluie ni à la neige.
 Un court-circuit est susceptible d'entraîner une décharge électrique, une surchauffe, des blessures ou une avarie.
6. A perceuse et sa batterie ne doivent pas être remisés dans un local où la température est susceptible de dépasser 50°C.
7. Même si elle est définitivement avariée, ne jetez pas la batterie au feu, elle risquerait d'exploser.
8. Veillez à maintenir la batterie à l'abri des chocs : ne la laissez pas tomber à terre.
9. Le chargeur ne doit pas être mis en fonctionnement dans un volume confiné : la batterie ne devra être mise en charge que dans un espace bien ventilé.

PROTECTION DE L'ENVIRONNEMENT (POUR LA SUISSE UNIQUEMENT)

Afin de préserver l'environnement, rappez la batterie usagée aux postes de ramassage officiel.



PRECAUTIONS SUPPLEMENTAIRES POUR L'OUTIL

1. Ayez bien conscience que l'outil est constamment en état de marche, car il n'a pas à être raccordé au secteur.
2. Portez une coiffure résistante (casque de sécurité), des lunettes de sûreté et un masque protecteur.
3. Avant de travailler, vérifiez soigneusement que la lame n'esr ni fendue ni endommagée. Si c'est le cas, changez-la immédiatement.
4. Ne tentez pas de scier des éléments plus gros que ceux qui sont mentionnés dans ce manuel (notamment des tubes). La lame pourrait sauter et vous blesser. (Fig. 1)
5. Tenez votre outil fermement.
6. Assurez-vous que personne ne se trouve en-dessous de vous quand vous sciez depuis des endroits élevés.
7. Ne pointez jamais votre scie dans la direction de quelqu'un se trouvant à proximité.
8. Lorsque vous effectuez une coupe 'aveugle' (sans voir ce qui se trouve derrière), assurez-vous qu'il ne se trouve ni câble électrique ni canalisation d'eau sur le trajet de la lame. S'il y a des câbles, ils doivent être mis hors tension par une personne compétente ou maintenus à l'écart de la lame afin d'écartier tout danger de choc électrique ou d'incendie. Tenez toujours votre outil SEULEMENT par ses parties non-conductrices afin de prévenir tout choc électrique si votre lame heurtait accidentellement un câble sous tension. Les canalisations d'eau doivent être purgées et fermées avant le sciage.
9. Faites attention à ne pas heurter l'extrémité de la lame contre un corps étranger durant le sciage ; vous risqueriez d'endommager la scie ou de briser la lame avec danger pour vous-même. (Fig. 2)

Recharge (Fig. 4)

La nouvelle batterie n'est pas chargée. Vous devrez donc la recharger avant de pouvoir l'utiliser. Pour cela, utilisez le chargeur.

Branchez le chargeur dans une prise secteur de la tension voulue. Le témoin de charge clignote en vert. Introduisez la batterie de façon que les bornes positive et négative de la batterie soient du même côté que leurs indications respectives sur le chargeur. Enfoncez la batterie à fond dans l'orifice du chargeur de façon qu'elle repose bien à plat sur le fond de l'orifice. Lorsque la batterie est insérée, le témoin de charge passe du vert au rouge et la recharge commence. Le témoin de charge reste allumé en continu pendant toute la durée de la recharge. Quand le témoin de charge passe du rouge au vert, le cycle de recharge est terminé. Les durées de recharge sont indiquées dans le tableau ci-dessous. Si vous laissez la batterie dans le chargeur lorsque le cycle de recharge est terminé, le chargeur passe en mode de "charge de compensation (charge d'entretien)". Après la recharge, débranchez le chargeur de la prise secteur.

Type de batterie	Capacité (Ah)	Nombre d'accus	Durée de recharge
1822 (Ni-cd)	2,0	15	Environ 45 mn
1833 (Ni-MH)	2,2	15	Environ 50 mn
1834 (Ni-MH)	2,6	15	Environ 60 mn
1835 (Ni-MH)	3,0	15	Environ 70 mn

10. Faites attention aux parties d'élément sectionnées ; leur chute pourrait blesser toute personne se trouvant à proximité ainsi que vous-même.
11. Lorsque vous sciez du métal, veillez à ce que personne ne soit atteint par des particules: elles peuvent vous brûler.
12. Ne touchez pas la lame ou la pièce sciée juste après l'opération ; elles peuvent être très chaudes et vous brûler.
13. Si vous retirez la lame de la pièce à scier en cours de travail, une vive réaction se produit, faisant sauter la lame et pouvant vous faire lâcher votre prise et votre contrôle sur l'outil. Coupez toujours le contact et attendez que la lame se soit complètement arrêtée avant de la retirer.

CONSERVEZ CES INSTRUCTIONS.

MODE D'EMPLOI

Engager et retirer la batterie (Fig. 3)

- L'alimentation doit être coupée (interrupteur à l'arrêt).
- Pour retirer la batterie, sortez-la de l'outil tout en appuyant sur les boutons des deux côtés de la batterie.
- Pour insérer la batterie, alignez la languette de la batterie sur la rainure du logement, et glissez la batterie en place. Insérez-la toujours à fond, jusqu'à ce qu'elle se verrouille dans un léger déclic. Sinon, elle risque de tomber accidentellement de l'outil, ce qui pourrait vous blesser, vous ou d'autres personnes alentour.
- La batterie doit pouvoir être introduite facilement dans son logement ; si tel n'est pas le cas, c'est qu'elle n'est pas présentée dans le bons sens.

ATTENTION :

- Le chargeur est conçu pour la recharge des batteries Makita. Ne l'utilisez jamais à d'autres fins ni pour des batteries d'autres marques.
- Quand vous chargez une batterie neuve ou une batterie qui n'a pas été utilisée pendant longtemps, il se peut qu'elle ne se recharge pas complètement. Ceci est normal. Vous pourrez recharger la batterie complètement après l'avoir déchargée puis rechargée deux ou trois fois de suite.
- Si vous rechargez la batterie d'un outil qui vient juste de fonctionner, ou une batterie qui est restée en plein soleil ou à la chaleur pendant longtemps, il se peut que le témoin de charge clignote en rouge. Dans ce cas, attendez quelques instants. La recharge commencera lorsque la batterie aura refroidi. La batterie refroidira plus vite si vous la sortez du chargeur.
- Si le témoin de charge clignote alternativement en vert puis en rouge, c'est qu'il y a un problème et que la recharge n'est pas possible. Les bornes du chargeur ou de la batterie sont recouvertes de poussière, ou la batterie est usée ou endommagée.

Charge de compensation (charge d'entretien)

Si vous laissez la batterie dans le chargeur pour éviter toute décharge spontanée après une recharge complète, le chargeur passe en mode de "charge de compensation (charge d'entretien)" pour maintenir la batterie fraîche et rechargée à plein.

Conseils pour obtenir la durée de service maximale de la batterie

1. Rechargez la batterie avant qu'elle ne soit complètement déchargée.
Arrêtez toujours l'outil et rechargez la batterie quand vous remarquez que la puissance de l'outil diminue.
2. Ne rechargez jamais une batterie complètement chargée.
Une surcharge réduira la durée de service de la batterie.
3. Rechargez la batterie à une température ambiante comprise entre 10°C et 40°C.
Si la batterie est chaude, laissez-la refroidir avant de la recharger.
4. Rechargez la batterie à hydrure métallique de nickel lorsqu'elle reste inutilisée pour plus de six mois.

Installation ou retrait de la lame

ATTENTION :

- Nettoyez toujours la lame, le collet de serrage et/ou le coulisseau des copeaux ou corps étrangers qui y adhèrent. Sinon, il se peut que la lame ne puisse être suffisamment serrée et cause un accident grave.

Lorsque vous insérez une lame, assurez-vous toujours que le collet de serrage de la lame se trouve en position ouverte avant de l'insérer. Si le collet de serrage de la lame se trouve en position d'immobilisation, faites-le tourner en position ouverte. (Fig. 5)

Insérez la lame à fond dans le collet de serrage. Le collet de serrage tournera alors et la lame y sera immobilisée. Tirez sur la lame pour vous assurer qu'elle ne peut pas être délogée. (Fig. 6)

NOTE :

Si la lame n'est pas insérée assez profondément, elle risque de s'éjecter de manière inattendue pendant que l'outil fonctionne. Cela est extrêmement dangereux.

Pour retirer la lame, faites complètement tourner le collet de serrage de la lame dans le sens indiqué par la flèche. La lame se dégagera et le collet de serrage de la lame sera maintenu en position ouverte. (Fig. 7)

NOTE :

Si vous retirez la lame sans faire complètement tourner le collet de serrage de la lame, il se peut que le collet ne soit pas immobilisé. Dans ce cas, faites complètement tourner le collet de serrage de la lame pour immobiliser le collier en position ouverte.

Réglage du sabot (Fig. 8)

Lorsque la lame perd de son efficacité de coupe sur une portion de sa longueur, repositionnez le sabot de façon à utiliser une autre portion intacte. Cela vous permettra d'allonger la durée d'usage de votre lame. Pour repositionner le sabot, déverrouillez le levier et faites glisser le sabot vers l'avant ou vers l'arrière sur la position voulue. Reverrouillez ensuite le levier pour bloquer le sabot en position.

Interrupteur (Fig. 9)

ATTENTION :

Avant d'insérer la batterie dans l'outil, vérifiez toujours que la gâchette fonctionne correctement et qu'elle revient sur la position "OFF" quand vous la relâchez.

Pour éviter que l'outil ne se mette en marche accidentellement, un bouton de sécurité a été prévu. Pour mettre l'outil en marche, enfoncez le bouton de sécurité et tirez sur la gâchette. Vous pouvez enfoncer le bouton de sécurité soit par le côté gauche, soit par le côté droit de l'outil. La vitesse de l'outil augmente quand vous augmentez la pression sur la gâchette. Pour arrêter l'outil, relâchez la gâchette.

Fonctionnement (Fig. 10)

Appuyez fermement le sabot contre le matériau à scier. Ne laissez pas la scie sauter. Mettez la lame légèrement en contact avec le matériau. Tracez ensuite un sillon pilote en faisant tourner à faible vitesse. Continuez votre sciage à la vitesse normale.

ATTENTION :

- Servez-vous toujours d'un réfrigérant (huile de coupe) adapté, quand vous sciez du métal. Faute de cette précaution, vous userez prématurément votre lame.
- Portez toujours des gants afin de protéger vos mains des particules brûlantes qui peuvent sauter quand vous sciez du métal.
- Appuyez toujours fermement le sabot contre le matériau durant le sciage. Si le sabot s'écarte du matériau durant l'opération, de fortes vibrations et une torsion de la lame se produiront pouvant entraîner la rupture, extrêmement dangereuse, de celle-ci.

ENTRETIEN

ATTENTION :

Assurez-vous toujours que l'outil est hors tension et que la batterie a été enlevée avant d'effectuer toute intervention sur l'outil.

Remplacement des charbons (Fig. 11 et 12)

Remplacez les charbons lorsqu'ils sont usés jusqu'à la marque de limite. Les doux doivent être remplacés simultanément.

Pour maintenir la sécurité et la fiabilité des produits, les réparations, l'entretien ou les réglages doivent être effectués par le Centre d'Entretien Makita.

ACCESSOIRES

ATTENTION :

- Les accessoires ou pièces supplémentaires qui suivent sont recommandés pour l'utilisation avec l'outil Makita spécifié dans ce manuel. L'utilisation de tout autre accessoire ou pièce supplémentaire peut comporter un risque de blessure. Utilisez uniquement l'accessoire ou la pièce supplémentaire dans le but spécifié.

Pour obtenir plus de détails sur ces accessoires, contactez votre Centre d'Entretien local Makita.

- Lame de scie recipro
- Malette de transport
- Les divers types de batteries et chargeurs Makita authentiques
- Couvercle de batterie

Übersicht

1	Blockakku	7	Sägeblatt-Klemmring	13	Hineindrücken
2	Schnellverschluss	8	Sägeblatt	14	Verschleißgrenze
3	Ladekontrollleuchte	9	Arretierhebel	15	Schraubendreher
4	Ladegerät	10	Führungsanschlag	16	Kohlebürstenskappe
5	Entriegelte Stellung	11	Elektronikschalter		
6	Verriegelte Stellung	12	Einschaltsperknopf		

TECHNISCHE DATEN

Modell	JR180D
Hubhöhe	23 mm
Hubzahl	0 – 2700 min ⁻¹
Schnittleistung	
Rohre	90 mm
Holz	90 mm
Gesamtlänge	469 mm
Nettogewicht (mit blockakku)	3,5 kg
Nennspannung	DC 18 V

- Wir behalten uns vor, Änderungen im Zuge der Entwicklung und des technischen Fortschritts ohne vorherige Ankündigung vorzunehmen.
- Hinweis: Die technischen Daten können von Land zu Land abweichen.

Sicherheitshinweise

Lesen und beachten Sie diese Hinweise, bevor Sie das Gerät benutzen.

WICHTIGE SICHERHEITSVORSCHRIFTEN FÜR LADEGERÄT UND AKKU

1. **DIESE ANWEISUNGEN GUT AUFBEWAHREN** — Diese Betriebsanleitung enthält wichtige Sicherheits- und Gebrauchsanweisungen für Ladegeräte.
2. **Lesen Sie vor der Benutzung des Ladegerätes alle Anweisungen und Warnhinweise, die auf (1) dem Ladegerät, (2) Akku und (3) Akku-Gerät angebracht sind.**
3. **VORSICHT** — Um die Verletzungsgefahr zu reduzieren, dürfen nur Makita- Akkus verwendet werden. Andere Akku-Typen können platzen und Verletzungen vom Sachschäden verursachen.
4. **Setzen Sie Ladegerät und Akku weder Regen noch Schnee aus.**
5. **Die Verwendung von Zubehör, das nicht vom Ladegerät-Hersteller empfohlen oder verkauft wird, kann Feuer, elektrische Schläge oder Verletzungen verursachen.**
6. **Um Beschädigung des Netzsteckers und Netzkabels zu vermeiden, ziehen Sie beim Trennen des Ladegerätes vom Stromnetz nicht an der Netzanschlußleitung, sondern nur am Netzstecker.**
7. **Verlegen Sie die Netzanschlußleitung so, daß niemand darauf tritt, darüber stolpert oder sie sonstigen Belastungen ausgesetzt wird.**
8. **Betreiben Sie das Ladegerät nicht mit einer beschädigten Netzanschlußleitung oder Stecker — beschädigte Teile sind unverzüglich auszuwechseln.**

9. **Betreiben Sie das Ladegerät nicht, wenn es starken Erschütterungen ausgesetzt, fallen gelassen oder sonstwie beschädigt wurde. Bringen Sie es in diesem Fall zu einem qualifizierten Kundendiensttechniker.**
10. **Versuchen Sie nicht, das Ladegerät oder den Akku zu zerlegen, sondern bringen Sie es zu einem qualifizierten Kundendiensttechniker, wenn Wartungs- oder Reparaturarbeiten erforderlich sind. Falscher Zusammenbau kann die Ursache für elektrische Schläge oder Feuer sein.**
11. **Um die Gefahr von elektrischen Schlägen auszuschließen, müssen Sie das Ladegerät stets vom Stromnetz trennen, bevor Sie mit Wartungs- oder Reinigungsarbeiten beginnen.**

ZUSÄTZLICHE SICHERHEITSBESTIMMUNGEN FÜR LADEGERÄT UND AKKU

1. **Laden Sie den Akku nicht bei Temperaturen unter 10°C oder über 40°C.**
 2. **Schließen Sie das Ladegerät nicht an einen Spartransformator, Generator oder eine Gleichstrom-Steckdose an.**
 3. **Achten Sie darauf, daß die Lüftungsöffnungen des Ladegerätes durch nichts verdeckt oder verstopft werden.**
 4. **Die Kontakte des Akkus außerhalb des Gerätes oder des Ladegerätes mit der Kontaktschutzhaube abdecken, um einen Kurzschluß durch metallische Überbrückung zu verhindern.**
 5. **Der Akku darf nicht kurzgeschlossen werden:**
 - (1) **Die Kontakte dürfen nicht mit leitfähigem Material berührt werden.**
 - (2) **Lagern Sie den Akku nicht in einem Behälter zusammen mit anderen Metallgegenständen, wie z.B. Nägel, Schrauben, Münzen, usw.**
 - (3) **Setzen Sie den Akku weder Regen noch Wasser aus.**
- Ein Kurzschluß des Akkus verursacht starken Stromfluß und dadurch als Folge Überhitzung, die Verbrennungen sowie ein Verschmelzen des Akkus herbeiführen können.**
6. **Lagern Sie Werkzeug und Akku nicht an Orten, an denen die Temperatur 50°C erreicht oder übersteigt.**
 7. **Versuchen Sie niemals, den Akku zu verbrennen, selbst wenn er stark beschädigt oder vollkommen verbraucht ist. Der Akku kann im Feuer explodieren.**
 8. **Achten Sie darauf, daß der Akku nicht fallen gelassen, Erschütterungen oder Stößen ausgesetzt wird.**

9. **Laden Sie den Akku niemals innerhalb eines Kartons oder eines geschlossenen Behälters. Der Akku darf nur an einem gut belüfteten Ort geladen werden.**

Umweltschutz

Das Gerät ist mit einem Nickel-Cadmium-Akku ausgerüstet. Um eine umweltgerechte Entsorgung zu gewährleisten, bitten wir Sie, folgende Punkte zu beachten:

- Gemäß Europäischer Batterierichtlinie 91/157/EWG und nationaler Gesetzgebung (Batterieverordnung) muß der verbrauchte Akku bei einer öffentlichen Sammelstelle, bei Ihrem Makita Kundendienst oder Ihrem Fachhändler zum Recycling abgegeben werden.
- Werfen Sie den verbrauchten Akku nicht in den Hausmüll, ins Feuer oder ins Wasser.

(Nur für die Schweiz)

- Ihr Beitrag zum Umweltschutz: Bringen Sie bitte die gebrauchte Batterie an eine offizielle Sammelstelle zurück.



ZUSÄTZLICHE SICHERHEITSREGELN FÜR DIE MASCHINE

1. Beachten Sie, daß die Maschine stets betriebsbereit ist, da sie nicht erst an eine Stromquelle angeschlossen werden muß.
2. Tragen Sie einen Schutzhelm sowie einen Augen- oder Gesichtsschutz. Ebenfalls dringend empfohlen ist das Tragen von Staubmaske, Gehörschutz, Schutzhandschuhen und Sicherheitsschuhen.
3. Überprüfen Sie das Sägeblatt vor Gebrauch sorgfältig auf Risse oder Beschädigung. Tauschen Sie gerissene oder beschädigte Sägeblätter sofort aus.
4. Schneiden Sie keine größeren Werkstücke als die in dieser Betriebsanleitung angegebenen (besonders Rohre). Das Sägeblatt kann abbrechen und Personen verletzen (Abb. 1).
5. Halten Sie die Säge gut und sicher fest.
6. Stellen Sie sicher, daß sich bei Einsatz der Säge an hochgelegenen Arbeitsplätzen keine Personen darunter aufhalten.
7. Richten Sie die Säge nicht auf eine in unmittelbarer Nähe stehende Person.

Laden (Abb. 4)

Der neue Akku muß vor der ersten Inbetriebnahme noch geladen werden. Verwenden Sie nur das Ladegerät zum Aufladen des Akkus.

Das Ladegerät an die Stromversorgung anschließen. Die Ladekontrollleuchte blinkt grün. Den Akku so einsetzen, daß die Plus- und Minusmarkierungen den Akkus mit den entsprechenden Markierungen auf dem Ladegerät übereinstimmen. Den Akku bis zum Anschlag in das Ladegerät schieben. Die Farbe der Kontrollleuchte wechselt von grün auf rot, und der Ladevorgang beginnt. Während des Ladevorgangs leuchtet die Ladekontrollleuchte stetig. Wenn die Farbe der Ladekontrollampe von Rot nach Grün wechselt, ist der Ladevorgang beendet. Die Ladezeiten sind in der nachfolgenden Tabelle aufgeführt. Wird der Akku nach Abschluß des Ladevorgangs im Ladegerät gelassen, schaltet das Ladegerät auf den Erhaltungslademodus um.

8. Stellen Sie beim "Blindsägen" (Sie sehen nicht, was hinter der Sägestelle liegt) sicher, daß sich keine verborgenen elektrischen Leitungen oder Wasserrohre im Sägebereich befinden. Falls elektrische Leitungen vorhanden sind, müssen diese durch einen Fachmann von der Stromquelle abgeklemmt oder umgangen werden, um einen tödlichen Stromschlag oder Brand zu vermeiden. Berühren Sie die Säge immer NUR an den isolierten Griffen, um einen elektrischen Schlag zu vermeiden, falls Sie versehentlich eine stromführende Leitung durchsägen. Wasserrohre in "Blindbereichen" müssen vor dem Sägevorgang entleert und verschlossen werden.
9. Achten Sie darauf, daß die Sägeblattspitze während des Betriebs nicht anstößt. Dies könnte zu einer Beschädigung der Säge oder zum gefährlichen Sägeblattbruch führen. (Abb. 2)
10. Achten Sie während des Arbeitsvorganges auf herabfallende Werkstücke. Sie können sich oder im Arbeitsbereich befindliche Personen verletzen.
11. Achten Sie beim Sägen von Metallen auf herunterfallende heiße Späne (Brandgefahr).
12. Unmittelbar nach dem Betrieb der Säge weder das Sägeblatt noch das Werkstück berühren, sie können sehr heiß sein und Verbrennungen verursachen.
13. Wenn Sie das Sägeblatt während des Sägevorganges aus dem Werkstück ziehen, können starke Rückschläge auftreten, die eine unkontrollierte Handhabung zur Folge haben. Schalten Sie die Säge immer ab und warten Sie, bis das Sägeblatt völlig zum Stillstand gekommen ist, bevor Sie das Sägeblatt aus dem Werkstück herausziehen.

BEWAHREN SIE DIESE HINWEISE SORGFÄLTIG AUF.

BEDIENUNGSHINWEISE

Ein- und Ausbau des Akkus (Abb. 3)

- Schalten Sie vor dem Ein- bzw. Ausbau des Akkus immer die Maschine ab.
- Um den Akku herauszunehmen, gleichzeitig beide Entriegelungsknöpfe drücken und den Akku aus der Maschine ziehen.
- Zum Einsetzen des Akkus die Erhebung am Akku-Gehäuse in die Nut im Maschinengehäuse ausrichten und den Akku hineinschieben. Stellen Sie sicher, daß der Akku hörbar einrastet, um zu verhindern, daß er herausfällt.
- Beim Einsetzen des Akkus keine Gewalt anwenden. Der Akku muß leicht in die Maschine einzuführen sein.

Nach dem Laden das Ladegerät vom Akku und vom Netz trennen.

Akku	Kapazität (Ah)	Anzahl der Zellen	Ladezeit
1822 (Ni-cd)	2,0	15	ca. 45 Min.
1833 (Ni-MH)	2,2	15	ca. 50 Min.
1834 (Ni-MH)	2,6	15	ca. 60 Min.
1835 (Ni-MH)	3,0	15	ca. 70 Min.

VORSICHT:

- Das Ladegerät ist ausschließlich zum Laden von Makita-Akkus vorgesehen. Verwenden Sie es auf keinen Fall für einen anderen Zweck oder zum Laden von Akkus anderer Fabrikate.
- Wenn der Akku noch neu ist oder über einen längeren Zeitraum nicht verwendet wurde, kann er seine volle Kapazität nicht entfalten. Durch mehrfaches Entladen und anschließendes Laden wird die volle Kapazität wieder erreicht.
- Wenn Sie versuchen, einen noch warmen Akku zu laden, leuchtet die Ladekontrollleuchte u. U. rot. In diesem Fall lassen Sie den Akku abkühlen. Danach den Akku erneut in das Ladegerät einsetzen.
- Wenn die Ladekontrollleuchte abwechselnd grün und rot blinkt, liegt eine Störung vor; der Akku kann nicht geladen werden. Die Kontakte des Ladegerätes bzw. des Akkus sind möglicherweise verschmutzt, oder der Akku ist beschädigt bzw. verbraucht.

Erhaltungsladung

Wird der Akku im Ladegerät gelassen, um Selbstentladung nach einer vollen Ladung zu vermeiden, schaltet das Ladegerät auf den Erhaltungslademodus um, so daß der Akku frisch und voll geladen bleibt.

Tips zur Erhaltung der maximalen Akkulebensdauer

1. Laden Sie den Akku, bevor er vollkommen entladen ist.
Schalten Sie stets die Maschine aus und laden Sie den Akku, wenn Sie ein Nachlassen der Maschineleistung bemerken.
2. Unterlassen Sie erneutes Laden eines voll geladenen Akkus.
Überladen verkürzt die Lebensdauer des Akkus.
3. Laden Sie den Akku bei Raumtemperatur (10°C bis 40°C).
Lassen Sie einen heißen Akku vor dem Laden abkühlen.
4. Der Nickel-Metallhydrid-Akku muss geladen werden, wenn er länger als sechs Monate nicht benutzt worden ist.

Montage und Demontage des Sägeblatts

VORSICHT:

- Säubern Sie Sägeblatt, Werkzeugaufnahme und/oder Schieber stets von anhaftenden Spänen oder Fremdkörpern. Anderenfalls lässt sich das Sägeblatt möglicherweise nicht fest genug einspannen, was schwere Verletzungen zur Folge haben kann.

Vergewissern Sie sich bei der Montage des Sägeblatts stets, dass sich der Sägeblatt-Klemmring in der entriegelten Stellung befindet, bevor Sie das Sägeblatt einführen. Befindet sich der Sägeblatt-Klemmring in der verriegelten Stellung, drehen Sie den Klemmring auf die entriegelte Stellung. **(Abb. 5)**

Führen Sie das Sägeblatt bis zum Anschlag in die Werkzeugaufnahme ein. Der Sägeblatt-Klemmring dreht sich, und das Sägeblatt wird fixiert. Vergewissern Sie sich durch Zugversuch, dass sich das Sägeblatt nicht herausziehen lässt. **(Abb. 6)**

HINWEIS:

Wird das Sägeblatt nicht tief genug eingeführt, kann es während des Betriebs plötzlich herausgeschleudert werden. Dies kann gefährliche Folgen haben.

Drehen Sie den Sägeblatt-Klemmring zum Abnehmen des Sägeblatts bis zum Anschlag in Pfeilrichtung. Das Sägeblatt wird freigegeben, und der Sägeblatt-Klemmring wird in der entriegelten Stellung fixiert. **(Abb. 7)**

HINWEIS:

Wird das Sägeblatt entfernt, ohne den Sägeblatt-Klemmring vollständig zu drehen, wird der Klemmring möglicherweise nicht fixiert. Drehen Sie in diesem Fall den Sägeblatt-Klemmring vollständig, um ihn in der entriegelten Stellung zu fixieren.

Einstellen des Führungsanschlags (Abb. 8)

Wenn das Sägeblatt an einer Stelle seiner Schneide abgenutzt ist, verändern Sie die Position des Führungsanschlags, um einen scharfen, unbenutzten Teil der Schneide zu verwenden. Dadurch wird die Lebensdauer des Sägeblatts verlängert. Um die Position des Führungsanschlags zu ändern, lösen Sie den Arretierhebel und schieben den Führungsanschlag nach vorn oder hinten in die gewünschte Position. Ziehen Sie dann den Arretierhebel fest, um den Führungsanschlag einwandfrei zu sichern.

Schalterbedienung (Abb. 9)

VORSICHT:

Vergewissern Sie sich vor dem Einsetzen des Akkus in die Maschine stets, daß der Ein-Aus-Schalter ordnungsgemäß funktioniert und beim Loslassen in die AUS-Stellung zurückkehrt.

Der Einschaltsperrknopf verhindert eine versehentliche Betätigung des Ein-Aus-Schalters. Zum Einschalten der Maschine drücken Sie den Einschaltsperrknopf hinein und betätigen den Ein-Aus-Schalter. Der Einschaltsperrknopf kann entweder von der linken oder rechten Seite der Maschine hineingedrückt werden. Die Drehzahl erhöht sich durch verstärkte Druckausübung auf den Ein-Aus-Schalter. Zum Ausschalten lassen Sie den Ein-Aus-Schalter los.

Betrieb (Abb. 10)

Drücken Sie den Führungsanschlag fest gegen das Werkstück, um Rückschläge auf die Säge zu vermeiden. Halten Sie die Säge so, daß das Sägeblatt das Werkstück gerade berührt. Sägen Sie zunächst mit einer niedrigen Hubzahl an. Danach können Sie die Hubzahl auf die optimale Sägegeschwindigkeit einstellen. Um einen vibrationsarmen Sägelauflauf zu erzielen, achten Sie darauf, daß während des Sägevorgangs der Vorschubdruck nicht zu groß ist. Zu starker Druck erhöht nicht die Sägegeschwindigkeit, sondern führt zur Verringerung der Standzeit des Sägeblattes.

VORSICHT:

- Verwenden Sie beim Sägen von Metall immer ein geeignetes Kühlmittel (Schneidöl). Nicht verwenden von Kühlmitteln führt zu vorzeitigem Verschleiß des Sägeblattes.
- Tragen Sie beim Sägen von Metall immer Handschuhe, um Ihre Hände vor umherfliegenden heißen Spänen zu schützen.
- Für einen vibrationsarmen Lauf drücken Sie beim Sägen den Führungsanschlag immer fest gegen das Werkstück. Wenn der Führungsanschlag beim Sägen nicht am Werkstück liegt, kommt es zu heftigen Rückschlägen und/oder zu Verdrehungen der Säge und zu einem gefährlichen Springen des Sägeblattes.

WARTUNG

VORSICHT:

Vor Arbeiten am Gerät vergewissern Sie sich, daß sich der Schalter in der "OFF"-Position befindet und der Akku aus dem Gerät entfernt ist.

Kohlebürsten wechseln (Abb. 11 u. 12)

Kohlebürsten ersetzen, wenn sie bis auf die Verschleißgrenze abgenutzt sind. Beide Kohlebürsten nur paarweise ersetzen.

Um die Sicherheit und Zuverlässigkeit dieses Gerätes zu gewährleisten, sollten Reparatur-, Wartungs-, und Einstellarbeiten nur von durch Makita autorisierten Werkstätten oder Kundendienstzentren unter ausschließlicher Verwendung von Makita-Originalersatzteilen ausgeführt werden.

ZUBEHÖR

VORSICHT:

- Die folgenden Zubehörteile oder Vorrichtungen werden für den Einsatz mit der in dieser Anleitung beschriebenen Makita-Maschine empfohlen. Die Verwendung anderer Zubehörteile oder Vorrichtungen kann eine Verletzungsgefahr darstellen. Verwenden Sie Zubehörteile oder Vorrichtungen nur für ihren vorgesehenen Zweck.

Wenn Sie weitere Einzelheiten bezüglich dieser Zubehörteile benötigen, wenden Sie sich bitte an Ihre Makita-Kundendienststelle.

- Reciprosägeblatt
- Transportkoffer
- Verschiedene Original-Makita-Akkus und -Ladegeräte
- Schutzkappe

Visione Generale

1 Cartuccia batteria	7 Manicotto di fermo lama	13 Spingere dentro
2 Bottone	8 Lama	14 Segno limite
3 Spia di carica	9 Leva	15 Cacciavite
4 Caricabatteria	10 Scarpa	16 Tappo portaspaiole
5 Posizione rilasciata	11 Interruttore	
6 Posizione fissa	12 Bottone di sicurezza	

DATI TECNICI

Modello	JR180D
Lunghezza della corsa	23 mm
No. corse/min.	0 – 2.700
Capacità di taglio	
Tubazione	90 mm
Legno	90 mm
Lunghezza totale	469 mm
Peso netto (Con cartuccia batteria)	3,5 kg
Tensione nominale	C.c. 18 V

- Per il nostro programma di ricerca e sviluppo continui, i dati tecnici sono soggetti a modifiche senza preavviso.
- Nota: I dati tecnici potrebbero differire a seconda del paese di destinazione del modello.

Consigli per la sicurezza

Per la vostra sicurezza, riferitevi alle accluse istruzioni per la sicurezza.

ISTRUZIONI DI SICUREZZA IMPORTANTI PER CARICATORI E BATTERIE A CARTUCCIA

1. **RISPETTARE QUESTE ISTRUZIONI** — Questo manuale contiene importanti regole di sicurezza e di lavorazione per il caricatore delle batterie.
2. Prima di usare il caricatore delle batterie, leggere tutte le istruzioni e precauzioni scritte (1) sul caricatore delle batterie (2) sulle batterie e (3) utensili che usano le batterie.
3. **PRECAUZIONI** — Per ridurre il rischio di ferirsi, caricare solamente batterie ricaricabili della Makita. Altri tipi di batterie possono scoppiare causando danni e ferite alle persone.
4. Non esporre il caricatore alla pioggia oppure alla neve.
5. L'uso di un attacco non raccomandato o non venduto dal costruttore del caricatore di batterie può diventare la causa d'incendio, di scosse elettriche, oppure di ferite alle persone.
6. Per ridurre il rischio di danneggiare il cavo elettrico o la spina, quando si vuole staccare il cavo dalla presa sul muro non tirare per il cavo ma prendere direttamente la spina in mano.
7. Assicurarsi che il cavo è posato in modo da non essere pestato, attorcigliato oppure messo in condizioni di essere danneggiato oppure stirato.
8. Non mettere in operazione il caricatore delle batterie con un cavo o una spina in cattive condizioni. Sostituire immediatamente.
9. Non mettere in operazione un caricatore quando ha ricevuto una botta, quando è stato fatto cadere, oppure è stato danneggiato in una maniera qualsiasi. Portatelo subito ad un negozio di fiducia per le riparazioni del caso.

10. Non smontare il caricatore o le batterie a cartuccia. Portatelo da un negozio di fiducia se è necessario fare qualche riparazione. Un rimontaggio sbagliato può causare scosse elettriche oppure un incendio.
11. Per ridurre il rischio di scosse elettriche, staccare il caricatore dalla presa di corrente prima di tentare qualsiasi lavoro di manutenzione oppure di pulizia. Il rischio non sarebbe ridotto col solo distacco dell'interruttore.

ULTERIORI REGOLE DI SICUREZZA PER CARICATORI E BATTERIE A CARTUCCIA

1. Non caricare le batterie a cartuccia quando la temperatura è sotto i 10°C oppure sopra i 40°C.
2. Non tentare di usare un trasformatore per aumentare la tensione, un generatore oppure qualsiasi sorgente di corrente diretta (DC).
3. Non lasciar coprire oppure intasare le aperture del caricatore.
4. Quando la capsula delle batterie non si usa, coprite sempre i poli della batteria con il copribatteria.
5. Non cortocircuitare la cartuccia batteria:
 - (1) Non toccare i terminali con un materiale conduttivo.
 - (2) Evitare di conservare la cartuccia batteria in un contenitore insieme con altri oggetti metallici, come chiodi, monete, ecc.
 - (3) Non esporre la cartuccia batteria all'acqua o alla pioggia.
 Un cortocircuito della batteria può causare un grande flusso di corrente, surriscaldamento, possibili bruciature ed anche un guasto.
6. Non immagazzinare l'utensile e le batterie a cartuccia in luoghi dove la temperatura può raggiungere oppure superare i 50°C.
7. Non buttare nel fuoco le batterie a cartuccia anche se sono estremamente danneggiate oppure completamente fuori uso. Le batterie potrebbero esplodere nel fuoco.
8. Stare attenti a non far cadere, agitare o sbattere la batteria.
9. Non caricare la batteria dentro una scatola o un qualsiasi altro contenitore. Durante la carica, la batteria deve trovarsi in un luogo ben ventilato.

(Per la Svizzera soltanto) Protezione dell'ambiente

La Vostra contribuzione per la protezione del ambiente: Porta la batteria al collettivo ufficiale.



ULTERIORI REGOLE DI SICUREZZA PER L'UTENSILE

1. Tenere a mente che questo utensile è sempre in condizioni operative, in quanto non è necessario collegarlo ad una presa di corrente.
2. Indossate un cappello duro di sicurezza (un elmetto), occhiali di Sicurezza e/o una protezione per la faccia. Vi raccomandiamo anche fortemente di indossare una maschera per la polvere, una protezione per le orecchie e guanti molto spessi.
3. Prima di cominciare la lavorazione controllate la lama accuratamente che non vi siano crepe o rotture. Rimpiazzate immediatamente lame crepate o rotte.
4. Non tentate di tagliare pezzi più grandi di quelli specificati in questo manuale (specialmente riguardo tubi vuoti). La lama potrebbe saltare causando danni. (Fig. 1)
5. Tenete l'utensile ben fermo con le mani.
6. Assicuratevi che non c'è nessuno sotto quando usate l'utensile in posizioni alte.
7. Non volgete l'utensile verso le persone che stanno intorno.
8. Quando fate un taglio "cieco" (non potete vedere cosa c'è dall'altra parte del pezzo che state tagliando), assicuratevi che sul sentiero del taglio non ci siano cavi elettrici o tubi d'acqua potabile. Nel caso ci siano cavi elettrici, dovete chiedere a persone incaricate di staccare il cavo dalla sua presa di corrente, oppure evitateli per prevenire scosse elettriche che potrebbero essere fatali o incendi. Tenete l'utensile sempre e **SOLAMENTE** sulla parte isolata dei manici per evitare scosse elettriche, nel caso di contatti accidentali con cavi elettrici "vivi". Prima di effettuare il taglio, asciugate e tappate i tubi dell'acqua che si trovano in aree "cieche".

Carica (Fig. 4)

La cartuccia batteria nuova non è carica. Prima di usarla bisogna caricarla. Per caricare la carica batteria, usare il carica batteria.

Collegare la carica batteria ad una presa di corrente alternata. La spia di carica lampeggerà in verde. Inserire completamente la cartuccia batteria nel suo alloggiamento, in modo che si trovi sul piano dell'alloggiamento di carica. Quando si inserisce la cartuccia batteria, la spia di carica cambia da verde a rossa e la carica comincia. Durante la carica, la spia di carica rimane accesa. La carica è completa quando il colore della spia cambia da rosso a verde. Per il tempo di carica, riferirsi alla tabella sotto. Se si lascia la cartuccia batteria nel caricatore dopo il completamento del ciclo di carica, il caricatore si dispone nel modo di "carica centellinare (carica di manutenzione)".

Dopo la carica, staccare il caricatore dalla presa di corrente.

Tipo di batteria	Capacità (Ah)	Numero di celle	Tempo di carica
1822 (Ni-cd)	2,0	15	45 miniticirca
1833 (Ni-MH)	2,2	15	50 miniticirca
1834 (Ni-MH)	2,6	15	60 miniticirca
1835 (Ni-MH)	3,0	15	70 miniticirca

9. Fate attenzione che l'estremità della lama non vada a colpire qualcosa durante la lavorazione. Questo potrebbe essere la causa di danni all'utensile o causa di pericolosa rottura della lama. (Fig. 2)
10. Fate attenzione ai pezzi tagliati del pezzo sotto lavorazione. Cadendo a terra potrebbero causare ferite a voi o a persone vicine.
11. Quando tagliate metalli, fate attenzione alle scintille incandescenti.
12. Immediatamente dopo la lavorazione non toccate la lama o il pezzo lavorato. Sono estremamente caldi e potrebbero causarvi ustioni.
13. Se ritirate la lama dal pezzo da lavorare durante la lavorazione, ne può risultare una grande contraccolpo, che causerà grande vibrazione della lama, allentamento della presa e perdita di controllo dell'utensile. Prima di ritirare la lama dal pezzo sotto lavorazione, lasciate sempre andare il grilletto e aspettate che la lama si fermi completamente.

CONSERVATE QUESTE ISTRUZIONI.

ISTRUZIONI PER L'USO

Inserzione e rimozione della cartuccia (Fig. 3)

- Spegnerne sempre l'utensile prima della inserzione o della rimozione della cartuccia delle batterie.
- Per rimuovere la cartuccia batteria, toglierla dall'utensile premendo i bottoni su entrambi i lati della cartuccia.
- Per inserire la cartuccia batteria, allineare l'appendice della cartuccia batteria con la scanalatura dell'alloggiamento e spingerla in posizione. Inserirla sempre completamente finché non si blocca in posizione con un piccolo scatto, perché altrimenti potrebbe cadere dall'utensile causando ferite all'utente o a chi è vicino.
- Non mettere molta pressione quando si inseriscono le batterie a cartuccia. Quando le batterie non entrano bene vuol dire che non sono inserite bene.

ATTENZIONE:

- La carica batteria serve a caricare le cartucce batteria Makita. Mai usarlo per altri scopi o per caricare le batterie di altri fabbricanti.
- Quando si carica una nuova cartuccia batteria o una cartuccia batteria che non è stata usata per un lungo periodo di tempo, essa potrebbe non accettare una carica completa. Questa è una condizione normale e non indica un problema. La cartuccia batteria può essere ricaricata completamente dopo che è stata scaricata e ricaricata completamente un paio di volte.
- Se si carica la cartuccia batteria subito dopo aver usato l'utensile, oppure una cartuccia batteria che sia rimasta esposta alla luce diretta del sole per un lungo periodo di tempo, la spia di carica potrebbe lampeggiare in rosso. In tal caso, aspettare qualche tempo. La carica comincia dopo che la cartuccia batteria si è raffreddata. La cartuccia batteria si raffredda più velocemente se la si rimuove dalla carica batteria.
- Se la spia di carica lampeggia alternativamente in verde e in rosso, vuol dire che c'è un problema e la carica non è possibile. Probabilmente, i terminali del caricatore o della cartuccia batteria sono intasati di polvere, oppure la cartuccia batteria è usurata o danneggiata.

Carica centellinare (carica di manutenzione)

Se si lasciano le cartucce batteria nel caricatore per evitare che si scarichino da sole dopo una carica completa, il caricatore si dispone nel modo di "carica centellinare (carica di manutenzione)" e mantiene le cartucce batteria completamente cariche.

Suggerimenti per prolungare al massimo la vita della cartuccia batteria

1. Caricare la cartuccia batteria prima che si scarichi completamente.
Smettere sempre di usare l'utensile e caricare la cartuccia batteria quando si nota una diminuzione di potenza dell'utensile.
2. Non si deve mai caricare una cartuccia batteria completamente carica.
La carica eccessiva riduce la vita di servizio della cartuccia batteria.
3. Caricare la cartuccia batteria ad una temperatura ambiente compresa tra i 10°C e i 40°C.
Aspettare che una cartuccia batteria calda si raffreddi prima di caricarla.
4. Caricare la batteria ibrida al nichel-metallo se non la si usa per più di sei mesi.

Installazione o rimozione della lama

ATTENZIONE:

- Togliere sempre tutti i trucioli o le sostanze estranee attaccate alla lama, fermo lama e/o cursore. In caso contrario, la lama potrebbe non venire serrata sufficientemente con pericolo di lesioni gravi.

Per installare la lama, accertarsi sempre che il manicotto di fermo lama sia sulla posizione rilasciata prima di inserire la lama. Se il manicotto è sulla posizione fissa, girarlo sulla posizione rilasciata. (Fig. 5)

Inserire completamente la lama nel fermo lama finché non può andare più oltre. Il manicotto di fermo lama gira e la lama si fissa. Accertarsi che la lama non possa essere estratta, anche se si cerca di tirarla fuori. (Fig. 6)

NOTA:

Se non si inserisce la lama sufficientemente dentro, essa potrebbe essere espulsa improvvisamente durante il lavoro. Ciò è estremamente pericoloso.

Per rimuovere la lama, girare completamente il manicotto di fermo lama nella direzione della freccia. La lama si stacca e il manicotto si fissa nella posizione rilasciata. (Fig. 7)

NOTA:

Se si rimuove la lama senza girare completamente il manicotto di fermo lama, il manicotto potrebbe non fissarsi. In tal caso, ruotare completamente il manicotto per fissarlo poi sulla posizione rilasciata.

Regolazione della scarpa (Fig. 8)

Quando la lama perde la sua efficienza di taglio in un punto lungo il suo bordo di taglio, riposizionare la scarpa per utilizzare una parte affilata inutilizzata del bordo di taglio. Ciò aiuta a prolungare la vita della lama. Per riposizionare la scarpa, allentate la leva e spingete la scarpa avanti o indietro sulla posizione desiderata. Stringete poi saldamente la leva per fissare la scarpa.

Azionamento dell'interruttore (Fig. 9)

ATTENZIONE:

Prima di inserire la cartuccia batteria nella macchina, accertatevi sempre che l'interruttore funzioni correttamente e che torni sulla posizione "OFF" quando viene rilasciato.

Questa macchina è dotata di un bottone di sicurezza per impedire che l'interruttore venga schiacciato accidentalmente. Per avviare la macchina, spingete dentro il bottone di sicurezza e schiacciate l'interruttore. Il bottone di sicurezza può essere spinto dalla parte destra o sinistra della macchina. La velocità della macchina aumenta con l'aumento della pressione sull'interruttore. Rilasciate l'interruttore per fermarla.

Lavorazione (Fig. 10)

Esercitate forte pressione sulla scarpa affinché stia sempre a contatto col pezzo da lavorare. Non permettete che lo utensile abbia movimenti incontrollati. All'inizio portate lo utensile a leggero contatto con il pezzo da tagliare. Fate una leggera intagliatura, usando una velocità limitata. Quindi usate velocità piena per effettuare tutto il taglio.

ATTENZIONE:

- Quando tagliate metalli, usate sempre un refrigerante adatto (olio refrigerante). Non usare il refrigerante causerà il consumo rapido della lama.
- Quando tagliate metalli, indossate sempre guanti per proteggere le mani da scintille.
- Durante la lavorazione esercitate sempre forte pressione sulla scarpa affinché stia sempre a contatto col pezzo da lavorare. Se durante la lavorazione la scarpa viene a trovarsi staccata dal pezzo sotto lavorazione, avrete forti vibrazioni e/o movimenti di torsione che causeranno una rottura pericolosa della lama.

MANUTENZIONE

ATTENZIONE:

Prima di effettuare ogni tipo di lavoro sull'utensile, assicuratevi sempre che essa sia spenta e che la batteria sia rimossa.

Sostituzione delle spazzole di carbone

(Figg. 11 e 12)

Sostituite la spazzole di carbone quando sono usurate fino alla linea di delimitazione. Sostituite entrambe le spazzole con tipi di spazzole identici.

Per mantenere la sicurezza e l'affidabilità del prodotto, le riparazioni, la manutenzione o le regolazioni dovrebbero essere eseguite da un centro di assistenza Makita autorizzato.

ACCESSORI

ATTENZIONE:

- In questo manuale si consiglia di usare questi accessori o ricambi Makita. L'impiego di altri accessori o ricambi potrebbe costituire un pericolo di lesioni. Usare esclusivamente gli accessori o ricambi per il loro scopo specificato.

Per maggiori dettagli riguardo a questi accessori, rivolgersi a un centro di assistenza Makita.

- Seghetto recipto
- Valigetta portautensile in plastica
- Vari tipi di batterie e caricatori genuini Makita
- Coperchio batteria

Verklaring van algemene gegevens

1 Accu	7 Zaagbladklembus	13 Indrukken
2 Drukknop	8 Zaagblad	14 Limietmarkering
3 Laadlampje	9 Hendel	15 Schroevendraaier
4 Acculader	10 Schoen	16 Koolborsteldop
5 Vrije stand	11 Trekkerschakelaar	
6 Vaste stand	12 Ontgrendelknop	

TECHNISCHE GEGEVENS

Model	JR180D
Slaglengte	23 mm
Aantal zaagbewegingen/min.	0 – 2 700
Snijcapaciteit	
Pijp	90 mm
Hout	90 mm
Totale lengte	469 mm
Netto gewicht (Met accu)	3,5 kg
Nominale spanning	D.C. 18 V

- In verband met ononderbroken research en ontwikkeling behouden wij ons het recht voor bovenstaande technische gegevens te wijzigen zonder voorafgaande kennisgeving.
- Opmerking: De technische gegevens kunnen van land tot land verschillen.

Veiligheidswenken

Voor uw veiligheid dient u de bijgevoegde Veiligheidsvoorschriften nauwkeurig op te volgen.

**BELANGRIJKE
VEILIGHEIDSVOORSCHRIFTEN VOOR
GEBRUIK VAN DE BATTERIJLADER EN HET
BATTERIJPAK**

1. **BEWAAR DEZE VOORSCHRIFTEN** — In deze gebruiksaanwijzing staan belangrijke veiligheids- en bedieningsvoorschriften betreffende de batterijlader (snellader).
2. Lees alle voorschriften en waarschuwingen betreffende (1) de batterijlader, (2) het batterijpak en (3) het gereedschap aandachtig door alvorens de batterijlader in gebruik te nemen.
3. **LET OP** — Om het gevaar voor ongelukken te verminderen, dient u met de snellader uitsluitend MAKITA oplaadbare batterijen te laden. Batterijen van andere merken kunnen gaan barsten en hierdoor verwondingen of schade veroorzaken.
4. Stel de batterijlader niet bloot aan regen of sneeuw.
5. Het gebruik van accessoires die niet door de fabrikant van de batterijlader worden verkocht of aanbevolen, kan brandgevaar, elektrische schok of verwondingen veroorzaken.
6. Om de stekker en het netsnoer niet te beschadigen, trekt u het netsnoer uit het stopcontact door de stekker vast te pakken.
7. Let op dat het snoer zodanig op de grond ligt, dat niemand erop kan stappen of erover kan struikelen en dat er niets op het snoer geplaatst wordt.
8. Gebruik in geen geval de batterijlader als het netsnoer of de stekker beschadigd is. Vervang deze onmiddellijk.

9. Gebruik de batterijlader ook niet als deze gevallen is, aan een zware klap heeft blootgestaan, of als u vermoedt dat hij beschadigd is. Laat in deze gevallen de batterijlader eerst nakijken.
10. Haal de batterijlader of het batterijpak niet uit elkaar; laat eventuele servicebeurten of reparaties uitsluitend vakkundig uitvoeren. Het onjuist opnieuw in elkaar zetten kan namelijk een elektrische schok of brandgevaar opleveren.
11. Om gevaar voor een elektrische schok te verminderen, trekt u de stekker uit het stopcontact alvorens de batterijlader te reinigen of een onderhoudsbeurt te geven. Door de batterijlader alleen maar uit te schakelen, vermindert u dit gevaar niet.

**BIJGEVOEGDE
VEILIGHEIDSVOORSCHRIFTEN VOOR
GEBRUIK VAN DE BATTERIJLADER EN HET
BATTERIJPAK**

1. Laad het batterijpak niet op als de temperatuur LAGER is dan 10°C of HOGER dan 40°C.
2. Gebruik voor het laden nooit een step-up transformator, een dynamo of een gelijkstroombron.
3. Zorg dat de ventilatiegaten van de batterijlader niet afgesloten worden of verstopt raken.
4. Bedek altijd de polen van de accu met het kunststof kapje wanneer u de accu niet gebruikt.
5. Voorkom kortsluiting van het batterijpak:
 - (1) Raak de aansluitklemmen nooit aan met geleidend materiaal.
 - (2) Bewaar het batterijpak niet op een plaats waar ook andere metalen voorwerpen zoals spijkers, munten e.d. worden bewaard. S
 - (3) tel het batterijpak niet bloot aan water of regen.

Kortsluiting van het batterijpak kan leiden tot een grote stroomafgifte, oververhitting, brandwonden of zelfs tot defecten.
6. Bewaar de batterijlader en het batterijpak niet in plaatsen waar de temperatuur tot 50°C of hoger kan op lopen.
7. Werp zwaar beschadigde of volledig uitgeputte batterijpakken niet in het vuur, omdat een gevaarlijke explosie er het gevolg van kan zijn.
8. Wees voorzichtig dat u het batterijpak niet laat vallen en het niet aan schokken of stoten blootstelt.
9. Laad het batterijpak niet op in een kist, een container e.d. Om het batterijpak op te laden, dient u dit in een goed geventileerde ruimte te plaatsen.

BIJGEVOEGDE VEILIGHEIDSVORSCHRIFTEN VOOR DE MACHINE

1. Denk eraan dat dit gereedschap altijd gebruiksklaar is, omdat het niet op een stopcontact hoeft te worden aangesloten.
2. Draag een hard hoofddekseel (veiligheidshelm), veiligheidsbril en/of gezichtsbescherming. Het is ook zeer aanbevelenswaardig een stofmasker, oorbescherming en dikke handschoenen te dragen.
3. Controleer het zaagblad zorgvuldig op barsten of beschadiging alvorens het gereedschap te gebruiken. Een gebarsten of beschadigd zaagblad dient onmiddellijk te worden vervangen.
4. Probeer geen werkstukken te zagen die groter zijn dan de in deze gebruiksaanwijzing gespecificeerde (in het bijzonder holle pijpen), aangezien breken van het zaagblad en ongelukken het gevolg kunnen zijn. (Fig. 1)
5. Houd het gereedschap altijd stevig vast.
6. Als u het gereedschap op hoge plaatsen gebruikt, zorg er dan voor dat er onder u niemand aanwezig is.
7. Richt het gereedschap nooit op iemand in uw onmiddellijke nabijheid.
8. Controleer alvorens te zagen of er verborgen elektrische draden, waterpijpen en dergelijke aanwezig zijn die beschadigd zouden kunnen worden. Doet dit er niet toe, stop dan eerst de spannings- of watertoevoer. Vermijd in ieder geval elektrische schok die fataal kan zijn, of kortsluiting die brand kan veroorzaken. Houd uitsluitend de geïsoleerde handgrepen van het gereedschap vast om elektrische schok te vermijden in geval u per ongeluk een geladen draad doorzaagt. Waterpijpen dienen eventueel eerst geleidigd te worden.

9. Zorg er voor dat u tijdens het zagen het uiteinde van het zaagblad nergens tegenaan stoot. Beschadiging van het gereedschap of gevaarlijk breken van het zaagblad kan hiervan het gevolg zijn. (Fig. 2)
10. Pas op vallende afgezaagde delen, die u of anderen in uw nabijheid kunnen treffen.
11. Wees bij zagen van metaal op uw hoede voor wegvliegende hete metaaldeeltjes.
12. Raak onmiddellijk na het zagen het zaagblad of het werkstuk nooit aan, aangezien deze zeer heet kan zijn en brandwonden kan veroorzaken.
13. Wanneer u tijdens het zagen het gereedschap van het werkstuk verwijdert, zal een sterke reactie het gevolg zijn, die het zaagblad kan breken of het gereedschap uit uw hand kan wegslaan. Schakel derhalve het gereedschap altijd eerst uit en wacht tot de zaag volledig tot stilstand is voordat u het gereedschap van het werkstuk afneemt.

BEWAAR DEZE VOORSCHRIFTEN.

BEDIENINGSVOORSCHRIFTEN

Plaatsen en verwijderen van batterij (Fig. 3)

- Schakel de machine altijd uit voordat een batterij geplaatst of verwijderd wordt.
- Om het batterijpak te verwijderen, neemt u het uit het gereedschap terwijl u de knoppen aan beide zijden van het batterijpak indrukt.
- Om het batterijpak te installeren, past u de rug op het batterijpak in de groef in de behuizing van het gereedschap, en dan schuift u het batterijpak naar binnen. Schuif het batterijpak zo ver mogelijk erin, totdat het met een klinkgeluid vergrendelt. Indien u dit niet doet, kan het batterijpak per ongeluk uit het gereedschap vallen en uzelf of anderen verwonden.
- Als het batterijpak moeilijk in de houder komt, probeer het dan niet met geweld in te duwen. Indien het batterijpak er niet gemakkelijk ingaat, dan houdt u het verkeerd om.

Laden (Fig. 4)

Uw nieuwe batterijpak is niet geladen. U moet het vóór gebruik laden. Gebruik de acculader voor het laden van het batterijpak.

Sluit de acculader aan op een stopcontact. Het laadcontrolelampje zal in groen knipperen. Schuif het batterijpak zodanig in de acculader dat de plus en min klemmen van het batterijpak overeenkomen met de plus en min markeringen op de acculader. Schuif het batterijpak zo ver mogelijk in de opening, zodat het op de bodem van de lader rust. Wanneer het batterijpak helemaal erin zit, zal de kleur van het laadcontrolelampje veranderen van groen in rood en zal het laden beginnen. Tijdens het laden zal het laadcontrolelampje blijven branden. Wanneer de kleur van het oplaadlampje verandert van rood in groen, is het opladen voltooid. Zie de onderstaande tabel voor de oplaadtijden. Wanneer u een volledig opgeladen accu in de lader laat zitten, zal de lader overschakelen naar de "bijladen (handhaven van de lading)" stand. Trek de stekker van de lader uit het stopcontact nadat het laden is voltooid.

Model van batterijpak	Capaciteit (Ah)	Aantal cellen	Oplaadtijd
1822 (Ni-cd)	2,0	15	ca. 45 min.
1833 (Ni-MH)	2,2	15	ca. 50 min.
1834 (Ni-MH)	2,6	15	ca. 60 min.
1835 (Ni-MH)	3,0	15	ca. 70 min.

LET OP:

- De batterijlader is uitsluitend bestemd voor het laden van Makita batterijpakken. Gebruik deze nooit voor andere doeleinden of voor het laden van batterijpakken van andere fabrikanten.
- Een nieuw batterijpak of een batterijpak dat gedurende lange tijd niet werd gebruikt, kan eventueel niet volledig worden geladen. Dit is normaal en duidt niet op een defect. Nadat het batterijpak een paar keer volledig is ontladen, kunt u het weer volledig laden.
- Wanneer u het batterijpak van een zojuist gebruikt gereedschap laadt, of een batterijpak dat voor langere tijd aan direct zonlicht of hitte werd blootgesteld, gebeurt het wel eens dat het laadcontrolelampje in rood knippert. Wacht in zo'n geval een tijdje. Het laden zal beginnen nadat het batterijpak is afgekoeld. Het batterijpak zal sneller afkoelen indien u het van de acculader verwijdert.
- Indien het laadcontrolelampje afwisselend in groen en rood knippert, wijst dit op een probleem en is laden niet mogelijk. De klemmen op de snellader of op het batterijpak zijn vuil of het batterijpak is versleten of beschadigd.

Bijladen (Handhaven van de lading)

Wanneer u een volledig opgeladen batterij in de lader laat zitten om spontaan ontladen te voorkomen, zal de lader overschakelen naar de "Bijladen (Handhaven van de lading)" stand waardoor de batterij vers en in volledig opgeladen toestand wordt gehouden.

Wenken om een maximale levensduur van de batterij te handhaven

1. Laad de batterij op alvorens deze volledig is ontladen. Stop het gebruik van het gereedschap en laad de batterij op telkens wanneer u vaststelt dat het vermogen van het gereedschap verminderd is.
2. Laad een volledig opgeladen batterij nooit opnieuw op. Wanneer u de batterij te veel oplaadt, zal deze minder lang meegaan.
3. Laad de batterij op bij een kamertemperatuur tussen 10°C en 40°C. Laat een warme batterij afkoelen alvorens deze op te laden.
4. Laad de nikkel-metaalhydride accu op wanneer u deze langer dan zes maanden niet gebruikt.

Installeren of verwijderen van het zaagblad

LET OP:

- Verwijder altijd alle spaanders en verontreinigingen van het zaagblad, de zaagbladklem en/of de slede. Als u dit niet doet, kan het zaagblad niet goed vastgezet zijn, hetgeen ernstige verwonding kan veroorzaken.

Om het zaagblad te installeren, moet u eerst controleren of de zaagbladklembus in de vrije stand staat alvorens het zaagblad erin te steken. Indien de klembus in de vaste stand staat, draait u de klembus naar de vrije stand. (Fig. 5)

Steek het zaagblad zo ver mogelijk in de zaagbladklem. De zaagbladklembus roteert en het zaagblad wordt vastgezet. Controleer of het zaagblad niet eruit komt wanneer u eraan trekt. (Fig. 6)

OPMERKING:

Als het zaagblad niet diep genoeg erin zit, kan het zaagblad tijdens het zagen onverwachts eruit worden geworpen, hetgeen bijzonder gevaarlijk is.

Om het zaagblad te verwijderen, draait u de zaagbladklembus volledig in de richting van het pijltje. Het zaagblad wordt verwijderd en de zaagbladklembus wordt in de vrije stand vastgezet. (Fig. 7)

OPMERKING:

Als u het zaagblad verwijdert zonder de klembus volledig te draaien, zal de klembus mogelijk niet in de vrije stand worden vastgezet. Draai in dat geval de klembus volledig in de richting van het pijltje om hem vast in de vrije stand te zetten.

Bijstellen van de geleideschoen (Fig. 8)

Wanneer een bepaald gedeelte van het zaagblad niet meer goed snijdt, stel dan de geleideschoen bij om een ongebruikt scherp gedeelte van het zaagblad te gebruiken. Hierdoor zal het zaagblad langer meegaan. Om de geleideschoen bij te stellen, drukt u de hendel los en zet u de geleideschoen in de gewenste positie door deze naar voren of naar achteren te schuiven. Druk daarna de hendel weer goed vast om de geleideschoen vast te zetten.

Werking van de trekkerschakelaar (Fig. 9)

LET OP:

Alvorens de accu in het gereedschap te plaatsen, moet u altijd controleren of de trekkerschakelaar naar behoren werkt en bij loslaten naar de "OFF" positie terugkeert.

Een ontgrendelknop is voorzien om te voorkomen dat de trekkerschakelaar per toeval wordt ingedrukt. Om het gereedschap te starten, drukt u eerst de ontgrendelknop en daarna de trekkerschakelaar in. De ontgrendelknop kan zowel vanaf de linkerkant als vanaf de rechterkant van het gereedschap worden ingedrukt. Hoe groter de druk op de trekkerschakelaar, hoe sneller het gereedschap draait. Laat de trekkerschakelaar los om het gereedschap te stoppen.

Bediening (Fig. 10)

Druk de schoen flink tegen het werkstuk aan. Zorg ervoor dat het gereedschap geen schokken maakt. Breng vervolgens het zaagblad in contact met het werkstuk. Maar eerst met lage zaagsnelheid een geleidegroef. U kunt daarna met grotere snelheid verder zagen.

LET OP:

- Gebruik voor zagen in metaal altijd een geschikt koelmiddel (snijolie). Laat u dit na dan zal de gebruiksduur van het zaagblad voortijdig worden verkort.
- Trek voor zagen in metaal altijd handschoenen aan om uw handen te beschermen tegen wegvliegende hete metaaldeeltjes.
- Druk tijdens het zagen de schoen altijd flink tegen het werkstuk aan. Als u tijdens het zagen de schoen van het werkstuk afneemt, zullen sterke vibraties en/of kromtrekken van het zaagblad het gevolg zijn. Het zaagblad kan dan breken hetgeen zeer gevaarlijk is.

ONDERHOUD

LET OP:

Controleer altijd of de machine is uitgeschakeld en de accu is losgekoppeld vooraleer onderhoud uit te voeren aan de machine.

Vervangen van koolborstels (Fig. 11 en 12)

Vervang de borstels wanneer ze tot aan de aangegeven limiet zijn afgesleten. Beide koolborstels dienen tegelijkertijd te worden vervangen.

Opdat de machine veilig en betrouwbaar blijft, dienen alle reparaties, onderhoud of afstellingen te worden uitgevoerd bij een erkend Makita service centrum.

ACCESSOIRES

LET OP:

- Deze accessoires of hulpstukken worden aanbevolen voor gebruik met het Makita gereedschap dat in deze gebruiksaanwijzing is beschreven. Bij gebruik van andere accessoires of hulpstukken bestaat er gevaar voor persoonlijke verwonding. Gebruik de accessoires of hulpstukken uitsluitend voor hun bestemd doel.

Wenst u meer bijzonderheden over deze accessoires, neem dan contact op met het plaatselijke Makita servicecentrum.

- Reciprozaagblad
- Kunststof koffer
- Diverse types originele Makita accu's en acculaders
- Accudeksel

Explicación de los dibujos

1	Cartucho de batería	7	Manguito de sujeción de la sierra	12	Botón de bloqueo en apagado
2	Pulsador	8	Sierra	13	Empújelo hacia dentro
3	Luz de carga	9	Palanquita	14	Marca de límite
4	Cargador de batería	10	Zapata	15	Destornillador
5	Posición suelta	11	Interruptor de gatillo	16	Tapas del portaescobillas
6	Posición fija				

ESPECIFICACIONES

Modelo	JR180D
Longitud de carrera	23 mm
Carreras por minuto	0 – 2.700
Capacidades de corte	
Tubería	90 mm
Madera	90 mm
Longitud total	469 mm
Peso neto (Con cartucho de batería)	3,5 kg
Tensión nominal	CC 18 V

- Debido a un programa continuo de investigación y desarrollo, las especificaciones aquí dadas están sujetas a cambios sin previo aviso.
- Nota: Las especificaciones pueden ser diferentes de país a país.

Sugerencias de seguridad

Para su propia seguridad, consulte las instrucciones de seguridad incluidas.

INSTRUCCIONES DE SEGURIDAD IMPORTANTES PARA EL CARGADOR Y EL CARTUCHO DE BATERIAS

1. **GUARDE ESTAS INSTRUCCIONES** — Este manual contiene instrucciones de operación y de seguridad importantes para el cargador de baterías.
2. Antes de utilizar el cargador de baterías, lea todas las instrucciones y las indicaciones de precaución (1) del cargador de baterías, (2) de las baterías, y (3) del producto con el que se utilicen baterías.
3. **PRECAUCIÓN** — Para reducir el peligro de que se produzcan heridas personales, cargue solamente las baterías recargables del tipo MAKITA. Otros tipos de baterías pueden quemarse pudiendo provocar heridas personales y daños.
4. No exponga el cargador a la lluvia o al agua.
5. La utilización de un acoplamiento no recomendado o no vendido por un fabricante de cargadores de baterías puede provocar un incendio, una descarga eléctrica o heridas personales.
6. Para reducir el peligro de que el enchufe y el cable reciban daños, tire del enchufe y no del cable cuando desconecte el cargador.
7. Asegúrese de que el cable esté localizado de manera que no se tropiece con él ni se pise, y que no esté sujeto a tirones ni otro tipo de daños.
8. No opere el cargador que tenga el cable o el enchufe dañados; reemplácelos inmediatamente.

9. No opere el cargador en el caso de que haya recibido un golpe, se haya caído o esté defectuoso; llévelo a un lugar donde se le pueda practicar un servicio de mantenimiento cualificado.
10. No desmonte el cargador o el cartucho de baterías; cuando se requiera la reparación llévelo a un lugar donde se le pueda practicar un servicio de mantenimiento cualificado. Un montaje incorrecto podría producir un incendio o una descarga eléctrica.
11. Para reducir el peligro de que se produzca una descarga eléctrica, desenchufe el cargador de la toma de alimentación antes de efectuar el servicio de mantenimiento o la limpieza. El desconectar los controles no reducirá este peligro.

NORMAS DE SEGURIDAD ADICIONALES PARA EL CARGADOR Y EL CARTUCHO DE BATERIAS

1. No cargue el cartucho de baterías cuando la temperatura esté por **DEBAJO** de los 10°C o por **ENCIMA** de los 40°C.
2. No utilice un transformador elevador de tensión, un generador con motor o un receptáculo de alimentación de CC.
3. No cubra ni obstruya las rejillas de ventilación del cargador con ningún objeto.
4. Cubra siempre los bornes de las baterías con la tapa correspondiente cuando no se esté usando el cartucho de baterías.
5. No cortocircuite el cartucho de baterías:
 - (1) No toque los terminales con ningún material conductor.
 - (2) Evite guardar el cartucho de baterías en un recipiente que contenga otros objetos de metal tales como clavos, monedas, etc.
 - (3) No exponga el cartucho de baterías al agua o a la lluvia.
 Un cortocircuito de las baterías puede producir una gran circulación de corriente, un sobrecalentamiento, posibles quemaduras o incluso una rotura.
6. No almacene la herramienta ni el cartucho de baterías en lugares donde la temperatura pueda alcanzar o exceder los 50°C.
7. Nunca queme el cartucho de baterías incluso en el caso de que esté dañado seriamente, ni cuando esté gastado. El cartucho de baterías podrá explotar cuando se tire al fuego.
8. Tenga cuidado para no dejar caer, sacudir o golpear la batería.
9. No la cargue en el interior de una caja o recipiente de cualquier clase. La batería deberá ponerse en un lugar bien ventilado durante la carga.

NORMAS DE SEGURIDAD ADICIONALES PARA LA HERRAMIENTA

1. Tenga presente que esta herramienta está siempre en condición de funcionamiento, porque no es necesario enchufarla en una toma de corriente eléctrica.
2. Lleve sombrero duro (casco protector), gafas protectoras y/o careta de protección. Sería también muy recomendable llevar una máscara contra el polvo, protectores para los oídos y guantes con forro grueso.
3. Revise bien la cuchilla por posibles rajaduras u otros daños antes de poner en marcha la herramienta. Si la cuchilla estuviese rajada o estropeada, cámbiela de inmediato.
4. No intente cortar piezas de tamaño mayor que el especificado en este manual (sobre todo tubos huecos). La cuchilla podría romperse y causar daños. (Fig. 1)
5. Sujete la herramienta bien fuerte.
6. Asegúrese de que no haya nadie debajo cuando usa la herramienta en lugares altos.
7. No apunte la herramienta hacia otros que estén en su cercanía.
8. Cuando corta "a ciegas" (sin poder ver lo que está cortando), asegúrese de que no haya cables de electricidad escondidos o tubos de agua donde va a cortar. De haber cables, habrá que desconectarlos de su enchufe por alguien debidamente calificado para hacerlo o habrá que esquivarlos a fin de prevenir todo riesgo de "sacudidas" fatales o incendios. Siempre sujete la herramienta SOLAMENTE en los lugares de asimiento debidamente aislados con el fin de impedir posibles "sacudidas eléctricas" al cortar, por descuido, un cable "con corriente". Los tubos de agua que haya en las zonas "no visibles" se deberán desaguar y será preciso taparlos antes de cortar.
9. Ponga cuidado a fin de no golpear la punta de la cuchilla contra algún objeto funcionando la herramienta. Podría estropearse la herramienta misma o romperse la cuchilla con riesgo de lastimar a alguien. (Fig. 2)

Carga (Fig. 4)

El cartucho de batería no está cargado cuando se adquiere nuevo. Tendrá que cargarlo antes de usarlo. Emplee el cargador de batería para cargarlo.

Enchufe el cargador de batería en una toma de corriente alterna (CA) de tensión apropiada. La luz de carga parpadeará en color verde. Inserte el cartucho de batería de forma que los bornes positivo y negativo en el cartucho de la batería queden en los mismos lados que las marcas respectivas en el cargador de carga batería. Inserte el cartucho completamente en la abertura de forma que asiente en la base de la abertura del cargador. Cuando el cartucho esté insertado, el color de la luz de carga cambiará de verde a rojo y la carga comenzará. La luz de carga permanecerá encendida durante la carga. Cuando el color de la luz de carga cambie de rojo a verde, se habrá completado el ciclo de carga. Consulte la tabla de abajo para ver los tiempos de carga. Si deja el cartucho de batería en el cargador después de que se haya completado el ciclo de carga, el cargador cambiará a su modo de "carga lenta (carga de mantenimiento)". Después de la carga, desenchufe el cargador de la toma de corriente.

Tipo de batería	Capacidad (Ah)	Número de celdas	Tiempo de carga
1822 (Ni-cd)	2,0	15	45 min. aprox.
1833 (Ni-MH)	2,2	15	50 min. aprox.
1834 (Ni-MH)	2,6	15	60 min. aprox.
1835 (Ni-MH)	3,0	15	70 min. aprox.

10. Tenga cuidado con los pedazos cortados de la pieza que esté trabajando. Podrían caerse y lastimarlo a usted o a alguien que esté cerca suyo.
11. Al cortar metales, tenga cuidado con las rebabas calientes que puedan saltar por el aire.
12. No toque la cuchilla ni la pieza que esté trabajando inmediatamente después de haber usado la herramienta; podrían estar muy calientes y podría quemarse la piel.
13. Si usted saca la cuchilla de la pieza que está trabajando mientras la herramienta funciona, se producirá una reacción fuerte con peligro de que se rompa la cuchilla o que se le escape la empuñadura de asimiento y pierda el control sobre la herramienta. Recuérdese siempre de apagar la herramienta y espere hasta que la cuchilla se haya detenido del todo antes de retirar la cuchilla de la pieza que esté trabajando.

GUARDE ESTAS INSTRUCCIONES.

INTRUCCIONES PARA EL FUNCIONAMIENTO

Insalación o extracción del cartucho de la batería (Fig. 3)

- Antes de insertar o de extraer el cartucho de la batería, asegúrese siempre de desconectar la herramienta.
- Para retirar el cartucho de la batería, sáquelo de la herramienta mientras presiona los botones a cada lado del mismo.
- Para insertar el cartucho de la batería, alinee la lengüeta del cartucho de batería con la acanaladura en el alojamiento y deslícelo hasta alojarlo en su lugar. Insértelo siempre a fondo hasta que quede bloqueado produciendo un ligero chasquido. En caso contrario, podría caerse accidentalmente de la herramienta y causarle heridas a usted o a alguien que se encuentre cerca de usted.
- No fuerce la introducción del cartuchode la batería. Si el cartucho no se desliza hacia adentro fácilmente, quiere decir que no está siendo insertado correctamente.

PRECAUCIÓN:

- El cargador de batería es para cargar el cartucho de batería Makita. No lo utilice nunca con otro propósito o para cargar baterías de otros fabricantes.
- Cuando cargue un cartucho de batería nuevo o uno que no haya sido utilizado durante mucho tiempo, será posible que no pueda cargarse completamente. Esta es una condición normal y no indica ningún tipo de problema. Podrá volver a cargarlo completamente después de descargarlo en su totalidad y volverlo a cargar unas cuantas veces.
- Si carga un cartucho de batería que acabe de retirar de una herramienta que justo entonces acaba de operar o uno que ha estado expuesto a la luz solar directa o calor durante mucho tiempo, la luz de carga podrá parpadear en color rojo. Si se diera el caso, espere algún tiempo. La carga comenzará una vez que el cartucho se enfríe. Este se enfriará antes si lo saca del cargador.
- Si la luz de carga parpadea alternativamente en verde y rojo, existirá algún problema y no se podrá cargar. Los bornes en el cargador o en el cartucho de batería estarán sucios de polvo o el cartucho podrá estar inservible o estropeado.

Carga continua y lenta (carga de mantenimiento)

Si deja el cartucho de batería en el cargador para evitar que se descargue espontáneamente después de haberlo cargado completamente, el cargador se cambiará a su modo de "carga continua y lenta (carga de mantenimiento)" y mantendrá el cartucho de batería fresco y completamente cargado.

Consejos para alargar al máximo la vida de servicio de la batería

1. Cargue el cartucho de batería antes de que se descargue completamente.
Pare la herramienta y cargue el cartucho de batería siempre que note que se debilita la potencia de la herramienta.
2. Nunca cargue un cartucho de batería que esté completamente cargado.
El exceso de carga acorta la vida de servicio de la batería.
3. Cargue el cartucho de batería a una temperatura ambiente de 10°C – 40°C.
Deje que el cartucho de batería se enfríe antes de cargarlo.
4. Cargue el cartucho de batería de hidruro metálico de níquel cuando no lo utilice durante más de seis meses.

Instalación y desmontaje de la hoja de sierra

PRECAUCIÓN:

- Retire siempre todas las virutas o materias extrañas adheridas a la sierra, mordaza de la sierra y/o deslizador. Si no lo hace la sierra podrá quedar insuficientemente apretada y ocasionarle heridas graves.

Para instalar la hoja de sierra, asegúrese siempre de que el manguito de sujeción de la sierra está en la posición suelta antes de insertar la hoja de sierra. Si el manguito de sujeción de la sierra está en la posición fija, gire el manguito hasta la posición suelta. **(Fig. 5)**

Inserte la hoja de sierra en la mordaza de la sierra a tope. El manguito de sujeción de la sierra gira y la hoja de sierra se fija. Asegúrese de que la hoja de sierra no se pueda extraer aunque intente sacarla. **(Fig. 6)**

NOTA:

Si no inserta la hoja de sierra suficientemente a tope, la hoja de sierra podrá salirse inesperadamente durante la operación. Esto puede ser muy peligroso.

Para extraer la hoja de sierra, gire el manguito de sujeción de la sierra completamente en el sentido de la flecha. La hoja de sierra se extrae y el manguito de sujeción de la sierra se fija en la posición suelta. **(Fig. 7)**

NOTA:

Si extrae la hoja de sierra sin girar completamente el manguito de sujeción de la sierra, el manguito podrá no fijarse. En este caso, gire el manguito de sujeción de la sierra completamente para fijar el manguito en la posición suelta.

Regulación de la zapata (Fig. 8)

Cuando la cuchilla deje de cortar eficazmente en alguna parte de su filo, reposicione la zapata para utilizar una porción de su filo afilada y sin usar todavía. Con esto la cuchilla se podrá usar durante más tiempo. Para reposicionar la zapata, afloje la palanca y mueva la zapata hacia delante o hacia atrás hasta la posición deseada. A continuación, apriete la palanca para sujetar firmemente la zapata.

Accionamiento del interruptor (Fig. 9)

PRECAUCIÓN:

Antes de insertar el cartucho de batería en la herramienta, compruebe siempre que el interruptor de gatillo se acciona correctamente y que vuelve a la posición "OFF" cuando lo suelta.

Para evitar que el gatillo pueda ser apretado accidentalmente, se ha provisto un botón de bloqueo en apagado. Para poner en marcha la herramienta, presione el botón de bloqueo en apagado y apriete el gatillo. El botón de bloqueo en apagado se puede presionar desde el lado izquierdo o derecho de la herramienta. La velocidad de la herramienta aumenta incrementando la presión en el gatillo. Suelte el gatillo para pararla.

Funcionamiento (Fig. 10)

Apriete la zapata bien fuerte contra la pieza que piensa trabajar. No permita que la herramienta dé saltos. Coloque la cuchilla de manera que toque suavemente la pieza a trabajar. Primero, haga un corte de prueba, usando la velocidad más lenta. Después, use una velocidad más rápida para seguir cortando.

PRECAUCIÓN:

- Utilice siempre líquido refrigerante apropiado (lubricante para cuchillas) al cortar metales. De no hacerlo, la cuchilla se desgastará más rápido.
- Lleve siempre puestos guantes para proteger las manos de las rebabas calientes que salten al cortar metales.
- Apriete la zapata bien fuerte contra la pieza que trabaja durante la operación. Si, durante la operación, la zapata está colocada lejos de la pieza que se trabaja, se producirán vibraciones fuertes y/o retorcidas con el consecuente riesgo de que la cuchilla acabe por romperse.

MANTENIMIENTO

PRECAUCIÓN:

Asegúrese siempre de que la herramienta está apagada y de que el cartucho de baterías está quitado antes de realizar cualquier trabajo en la herramienta.

Substitución de las escobillas de carbón (Fig. 11 y 12)

Substituya las escobillas de carbón cuando estén desgastadas hasta la marca del límite. Las dos escobillas de carbón idénticas deberían ser substituidas al mismo tiempo.

Para mantener la seguridad y fiabilidad del producto, las reparaciones, el mantenimiento y los ajustes deberán ser realizados por un Centro de Servicio Autorizado de Makita.

ACCESORIOS

PRECAUCIÓN:

- Estos accesorios o acoplamientos están recomendados para utilizar con su herramienta Makita especificada en este manual. El empleo de cualesquiera otros accesorios o acoplamientos conllevará un riesgo de sufrir heridas personales. Utilice los accesorios o acoplamientos solamente para su fin establecido.

Si necesita cualquier ayuda para más detalles en relación con estos accesorios, pregunte a su centro de servicio Makita local.

- Sierra de sable
- Maletín de plástico para el transporte
- Diferentes tipos de baterías y cargadores genuinos de Makita
- Tapa de la batería

Explicação geral

1	Bateria	7	Manga do grampo da lâmina	13	Pressione
2	Botão de pressão	8	Lâmina	14	Marca limite
3	Luz de carregamento	9	Alavanca	15	Chave de fendas
4	Carregador de bateria	10	Sapata	16	Tampas do porta-escovas
5	Posição de libertação	11	Gatilho		
6	Posição fixa	12	Botão de segurança		

ESPECIFICAÇÕES

Modelo	JR180D
Comprimento de corte	23 mm
Movimentos/min	0 – 2.700
Capacidades de corte	
Tubo	90 mm
Madeira	90 mm
Comprimento total	469 mm
Peso (Com bateria)	3,5 Kg
Voltagem	18 V.C.C.

- Devido a um programa contínuo de pesquisa e desenvolvimento, estas especificações podem ser alteradas sem aviso prévio.
- Nota: As especificações podem variar de país para país.

Conselhos de segurança

Para sua segurança, leia as instruções anexas.

INSTRUÇÕES DE SEGURANÇA IMPORTANTES PARA O CARREGADOR E BATERIA

1. **GUARDE ESTAS INSTRUÇÕES** – Este manual contém importantes normas de segurança e de funcionamento do carregador e da bateria.
2. Antes de utilizar o carregador leia todas as instruções e recomendações (1) do carregador da bateria, (2) da bateria e (3) da ferramenta.
3. **PRECAUÇÃO** – Para prevenir o risco de acidentes, carregue só as baterias recarregáveis MAKITA. Outros tipos de baterias poderão explodir e causar danos pessoais e materiais.
4. Não exponha o carregador à chuva ou à neve.
5. Se utilizar um acoplamento que não seja recomendado ou vendido pelo fabricante do carregador da bateria, poderá provocar um incêndio, um choque eléctrico ou danos pessoais.
6. Para não danificar a ficha e o cabo, quando desligar o carregador puxe apenas pela ficha.
7. Verifique se o cabo está colocado em local onde não tropece nele nem o pise, e também onde não fique sujeito a puxões ou outros tipos de danos.
8. Não ligue à corrente um carregador que tenha o cabo ou a ficha danificados. Substitua-os imediatamente.
9. Não utilize um carregador que tenha levado uma pancada, tenha caído ou esteja danificado; leve-o a um serviço de assistência oficial.
10. Não desmonte o carregador ou a bateria; quando for necessária uma reparação leve-os a um serviço de assistência oficial. Uma montagem incorrecta poderá provocar um incêndio ou choque eléctrico.

11. Para evitar apanhar um choque eléctrico desligue o carregador da tomada de corrente antes de efectuar qualquer trabalho de manutenção ou de limpeza. Se apenas desligar o carregador e não retirar a ficha da tomada, não evitará o perigo de choques eléctricos.

REGRAS DE SEGURANÇA ADICIONAIS PARA O CARREGADOR E A BATERIA

1. Não carregue a bateria quando a temperatura for inferior a 10°C ou superior a 40°C.
2. Não use um transformador, gerador ou acumulador de corrente contínua.
3. Não tape nem obstrua a ventilação do carregador.
4. Cubra sempre os terminais da bateria com a respectiva tampa quando não estiver a utilizá-la.
5. Não provoque um curto-circuito na bateria:
 - (1) Não toque nos terminais com materiais condutores.
 - (2) Não guarde a bateria em local onde existam outros objectos de metal tais como pregos, moedas, etc.
 - (3) Não molhe a bateria nem a exponha à chuva. Um curto-circuito da bateria pode provocar uma sobrecarga de corrente, um aquecimento excessivo, possíveis queimaduras ou avarias.
6. Não guarde a ferramenta nem a bateria em locais onde a temperatura possa atingir ou ultrapassar os 50°C.
7. Não queime as baterias mesmo que estejam muito danificadas ou gastas. Podem explodir em contacto com o fogo.
8. Tenha cuidado para não deixar cair, bater ou agitar a bateria.
9. Não carregue a bateria dentro de uma caixa ou qualquer outro recipiente. Enquanto estiver a carregar deverá colocá-la num local bem ventilado.

REGRAS DE SEGURANÇA ADICIONAIS PARA A FERRAMENTA

1. Não se esqueça de que esta ferramenta está sempre operacional pois não necessita de ser ligada a uma tomada de corrente eléctrica.
2. Use um capacete de protecção, óculos de protecção e/ou um protector para a cara. Recomenda-se também a utilização de uma máscara para o pó, protectores contra o ruído e luvas almofadadas.
3. Verifique se a lâmina tem fissuras ou quaisquer outros defeitos antes da sua utilização. Substitua imediatamente qualquer lâmina partida ou danificada.

4. Não tente cortar peças mais largas do que as especificadas neste manual (especialmente tubo ou cano oco). A lâmina pode quebrar e causar-lhe ferimentos. (Fig. 1)
5. Segure a ferramenta firmemente.
6. Certifique-se de que ninguém está por baixo, quando trabalhar em locais altos.
7. Não dirija ferramenta na direcção de terceiros.
8. Quando fizer um corte “cego” (não consegue ver o que está para trás da peça que está a cortar), certifique-se que não existem fios eléctricos interiores ou canos de água na direcção do corte. Se existirem fios, têm que ser desligados por pessoal qualificado e tomada em consideração a sua localização, para impedir riscos de choques eléctricos ou fogo. Segure sempre a ferramenta pelas partes isoladas, para não apanhar nenhum choque se tocar acidentalmente num fio “vivo”. Canos de água em áreas “cegas” devem ser drenados e tapados antes do corte.
9. Tenha cuidado em não bater com a ponta da lâmina contra algo durante a operação. Pode causar danos na ferramenta ou partir a lâmina. (Fig. 2)
10. Tenha cuidado com os fragmentos da superfície cortada. Podem cair e eausar ferimentos.
11. Quando cortar metal, tenha cuidado com as fagulhas.

Carregamento (Fig. 4)

Uma bateria nova não está carregada. Precisa de ser carregada antes da utilização. Utilize o carregador de bateria para carregar.

Ligue o carregador de bateria à tomada de corrente alterna com a voltagem apropriada. A luz de carga pisca em verde. Coloque a bateria de modo que os terminais positivo e negativo coincidam com as respectivas marcas no carregador de bateria. Introduza a bateria até ao fundo do carregador. Quando a bateria está colocada, a luz de carga muda de verde para vermelho e começa a carga. A luz mantém-se acesa durante a carga. Quando a luz de carga muda de vermelho para verde, o ciclo de carregamento está completo. Consulte a tabela abaixo para verificar o tempo de carga. Se deixar a bateria no carregador depois do carregamento acabar, o carregador muda para o modo de “carregamento gota a gota (carregamento de manutenção)”. Em seguida desligue o carregador da tomada de corrente.

Tipo da bateria	Capacidade (Ah)	Número de células	Tempo de carga
1822 (Ni-cd)	2,0	15	Aprox. 45 min.
1833 (Ni-MH)	2,2	15	Aprox. 50 min.
1834 (Ni-MH)	2,6	15	Aprox. 60 min.
1835 (Ni-MH)	3,0	15	Aprox. 70 min.

PRECAUÇÃO:

- O carregador de bateria destina-se a carregar baterias Makita. Nunca o utilize para outros fins ou para baterias de outros fabricantes.
- Quando carregar uma bateria nova ou uma bateria que não foi utilizada durante um longo período de tempo, pode não ser possível carregá-la completamente. Esta situação é normal e não significa qualquer deficiência. Pode carregar a bateria completamente depois de a ter descarregado e carregado algumas vezes.
- Se carregar uma bateria de uma ferramenta que acabou de funcionar ou uma bateria que foi deixada exposta ao sol, a luz de carga pode piscar em vermelho. Se isto acontecer espere um pouco. A carga começa quando a bateria tiver arrefecido. A bateria arrefecerá mais depressa se a retirar do carregador de bateria.
- Se a luz de carga piscar alternadamente em verde e vermelho, existe um problema e a carga não é possível. Os terminais no carregador ou na bateria estão bloqueados com pó ou a bateria está gasta ou danificada.

12. Não toque na lâmina, imediatamente a seguir à sua utilização. Pode estar quente e queimar-se.
13. Se retirar a lâmina de superfície de trabalho durante a operação, produzir-se-á uma reacção brusca, que provocará a quebra da lâmina ou a sua perda de controlo da ferramenta. Desligue sempre a ferramenta e aguarde até a lâmina estar completamente parada antes de a retirar da superfície de trabalho.

GUARDE ESTAS INSTRUÇÕES.

INSTRUÇÕES DE FUNCIONAMENTO

Instalação ou extracção da bateria (Fig. 3)

- Desligue sempre a ferramenta antes de colocar ou extrair a bateria.
- Para tirar a bateria, retire-a da ferramenta enquanto pressiona os botões em ambos os lados da bateria.
- Para colocar a bateria, alinhe a saliência na bateria com a ranhura no suporte e deslize-a para o seu lugar. Coloque-a sempre até ao fim, até que fique preso no lugar com um clique. Se assim não for, pode acidentalmente cair da ferramenta, ferindo-o ou a alguém à sua volta.
- Não force a bateria ao introduzi-la. Se não deslizar com facilidade é porque não está a fazê-lo de modo correcto.

Carregamento gota a gota (carregamento de manutenção)

Se deixar a bateria no carregador para evitar descarga espontânea depois de completamente carregada, o carregador mudará para o modo de "carregamento gota a gota (carregamento de manutenção)" e manterá a bateria fresca e completamente carregada.

Conselhos para manter a máxima vida útil da bateria

1. Carregue a bateria antes de completamente descarregada.
Páre sempre a operação e carregue a bateria quando notar diminuição de potência da ferramenta.
2. Nunca recarregue uma bateria completamente carregada.
Sobrecarregamento diminui a vida útil da bateria.
3. Carregue a bateria à temperatura ambiente de 10°C – 40°C.
Se a bateria estiver quente deixe-a arrefecer antes de a carregar.
4. Carregue a bateria de hidreto de níquel quando não a utilizar durante mais do que seis meses.

Instalar ou retirar a lâmina da serra

PRECAUÇÃO:

- Limpe sempre quaisquer aparas ou matérias estranhas aderentes à lâmina, grampo da lâmina e/ou cursor. Se assim não for pode causar aperto insuficiente da lâmina, resultando em danos sérios.

Para instalar a serra da lâmina, certifique-se sempre de que a manga do grampo da lâmina está na posição de libertada antes de colocar a lâmina da serra. Se a manga do grampo da serra estiver na posição fixa, rode a manga para a posição libertada. (Fig. 5)

Coloque a lâmina da serra no grampo da lâmina o mais fundo possível. A manga do grampo da serra roda e a lâmina fica fixa. Certifique-se de que a lâmina da serra não sai mesmo que a tente puxar. (Fig. 6)

NOTA:

Se não colocar a lâmina da serra suficientemente fundo, a lâmina da serra pode ser expelida inesperadamente durante a operação. Pode ser extremamente perigoso.

Para retirar a lâmina da serra, rode a manga do grampo da serra completamente na direcção da seta. A lâmina é retirada e a manga do grampo da serra fica fixa na posição libertada. (Fig. 7)

NOTA:

Se rodar a lâmina da serra sem rodar completamente a manga do grampo da serra, a manga pode não ficar fixa. Neste caso, rode a manga do grampo da serra completamente para fixar a manga na posição libertada.

Regulação da sapata (Fig. 8)

Quando a lâmina perde a eficiência de corte em qualquer ponto ao longo da extremidade de corte, reposicione a sapata para utilizar uma porção afiada, não utilizada, da extremidade de corte. Isto ajudará a aumentar a duração da lâmina. Para reposicionar a sapata, liberte a alavanca e deslize a sapata para a frente ou para trás na posição desejada. Em seguida aperte a alavanca para prender firmemente a sapata.

Ação do interruptor (Fig. 9)

PRECAUÇÃO:

Antes de colocar a bateria na máquina, verifique sempre se o gatilho funciona correctamente e volta para a posição "OFF" quando libertado.

Para evitar que o gatilho seja acidentalmente accionado, existe um botão de segurança. Para ligar a máquina, pressione o botão de segurança e carregue no gatilho. O botão de segurança pode ser pressionado tanto no lado esquerdo como direito da máquina. A velocidade da máquina aumenta consoante a pressão no gatilho. Liberte o gatilho para parar.

Operação (Fig. 10)

Pressione a sapata firmemente contra superfície de trabalho. Não deixe a ferramenta bater. Exerça uma ligeira pressão na lâmina sobre a superfície de trabalho. Comece por fazer uma ranhura de referência, a baixa velocidade. Seguidamente prossiga o corte numa velocidade mais rápida.

PRECAUÇÃO:

- Utilize sempre um lubrificante adequado (óleo para cortes) quando cortar metal, a fim de evitar o desgaste prematuro da lâmina.
- Quando cortar metal use sempre luvas para proteger as mãos das fagulhas que saltam.
- Pressione sempre a sapata com firmeza contra a superfície de trabalho durante a operação. Caso contrário, produzir-se-ão vibrações e/ou torções que causarão a ruptura perigosa da lâmina.

MANUTENÇÃO

PRECAUÇÃO:

Certifique-se sempre de que a ferramenta se encontra desligada e de que a bateria foi retirada antes de efectuar qualquer inspecção e manutenção.

Substituição das escovas de carvão (Fig. 11 e 12)

As escovas de carvão devem ser substituídas quando o desgaste atingir a marca limite. Ambas as escovas de carvão devem ser substituídas ao mesmo tempo.

Para salvaguardar a segurança e a fiabilidade do produto, as reparações, manutenção e afinações deverão ser sempre efectuadas por um Centro de Assistência Oficial MAKITA.

ACESSÓRIOS

PRECAUÇÃO:

- Estes acessórios ou peças extra são recomendadas para utilização com a sua ferramenta Makita especificada neste manual. A utilização de qualquer outros acessórios ou peças extra podem apresentar o risco de ferimentos. Só utilize os acessórios ou peças extras para o fim a que são destinados.

Se necessitar de informações adicionais relativas a estes acessórios, solicite-as ao seu centro de assistência Makita.

- Lâmina da serra de sabre
- Maleta de plástico
- Vários tipos de baterias Makita e carregadores
- Tampa da bateria

Illustrationsoversigt

1 Akku	7 Klingefastholdermuffe	13 Tryk ind
2 Trykknop	8 Klinge	14 Slidgrænse
3 Batteriladerlys	9 Arreteringsgreb	15 Skruetrækker
4 Batterilader	10 Føringsanslag	16 Kulholderdæksel
5 Frigjort position	11 Afbryder	
6 Låst position	12 Kontaktpærreknop	

SPECIFIKATIONER

Model	JR180D
Slaglængde	23 mm
Slagantal	0 – 2 700 min ⁻¹
Skærekapacitet	
Rør	90 mm
Træ	90 mm
Længde	469 mm
Vægt (Med akku)	3,5 kg
Nominal spænding	D.C. 18 V

- Ret til tekniske ændringer forbeholdes.
- Bemærk: Tekniske data kan variere fra land til land.

Sikkerhedsforskrifter

For Deres egen sikkerheds skyld bør De sætte Dem ind i sikkerhedsforskrifterne.

VIGTIGE SIKKERHEDSFORSKRIFTER FOR OPLADER OG AKKU

1. **GEM DISSE FORSKRIFTER** — Denne brugsanvisning indeholder vigtige sikkerhedsforskrifter og betjeningsvejledninger.
2. Før brug bør De læse alle instruktioner og advarselsskæringer vedrørende (1) oplader, (2) akku og (3) maskine.
3. **ADVARSEL** — Opladeren må kun bruges til opladning af originale genopladelige Makita akku-typer. Andre akku-typer kan sprænges og forårsage personskade eller ødelæggelser.
4. Udsæt ikke opladeren for regn eller sne.
5. Brug af tilbehør, der ikke er anbefalet eller solgt af Makita, kan medføre risiko for elektrisk stød, brand eller personskade.
6. For at minimere risikoen for skade på ledning og netstik, skal De altid trække i netstikket og ikke i ledningen, når opladeren tages ud af stikkontakten.
7. Sørg for at netledningen er placeret således, at man ikke træder på den, falder over den eller på anden måde kan beskadige den.
8. Brug aldrig opladeren hvis ledningen eller stikket er beskadiget — udsift omgående delene.
9. Brug aldrig opladeren hvis den har fået et voldsomt slag, er blevet tabt eller på anden måde er beskadiget.
10. Skil aldrig opladeren eller akkuen ad. Kontakt en kvalificeret reparatør når reparation eller vedligeholdelse er påkrævet. Forkert samling kan medføre risiko for elektrisk stød eller brand.
11. For at undgå risiko for elektrisk stød skal opladeren altid tages ud af stikkontakten, før denne rengøres eller vedligeholdes. Denne risiko fjernes ikke ved blot at slukke for opladeren.

YDERLIGERE SIKKERHEDSFORSKRIFTER FOR OPLADER OG AKKU

1. Oplad ikke akkuen når temperaturen er **UNDER 10°C** eller **OVER 40°C**.
2. Brug aldrig en transformator, generator eller jævnstrømsforsyning til opladning.
3. Sørg for at opladerens ventilationsåbninger ikke tildækkes.
4. Sæt altid beskyttelsesdækslet over akkuens poler, når den ikke er i brug.
5. Kortslut aldrig akkuen:
 - (1) Rør ikke polerne med noget ledende materiale.
 - (2) Opbevar ikke akkuen sammen med genstande af metal, som f.eks. søm og skruer.
 - (3) Udsæt aldrig akkuen eller opladeren for vand eller regn.
 Opbevar ikke akkuen eller maskinen på steder hvor temperaturen kan komme over 50°C.
6. Akkuen indeholder cadmium og er dermed miljøaffald, den må ikke bortskaffes med almindeligt husholdningsaffald. Den må ikke brændes, da den kan eksplodere i åben ild. Akkuen skal, når den er udtjent, deponeres for genbrug. Spørg forhandleren om de gældende regler.
7. Udsæt ikke akkuen for slag eller andre voldsomme fysiske påvirkninger.
8. Oplad ikke akkuen i en kasse eller en anden form for beholder. Akkuen skal oplades på et sted med god ventilation.

YDERLIGERE SIKKERHEDSFORSKRIFTER FOR MASKINEN

1. Vær opmærksom på at maskinen altid er driftsklar, da den ikke behøver at tilsluttes en stikkontakt.
2. Bær beskyttelseshjelm, briller eller ansigtsmaske. Det anbefales ligeledes at bære støvmaske, høreværn, sikkerhedshandsker og -sko.
3. Kontroller savklingen omhyggeligt for brud eller skader før brugen. Skift straks brudte eller beskadigede savklinger.
4. Sav ikke i større emner end angivet i brugsanvisningen (specielt ikke rør). Savklingen kan springe, hvilket kan medføre personskade. (Fig. 1)
5. Hold saven med et fast greb.
6. Ved arbejde i højden bør De sikre Dem, at der ikke opholder sig personer under arbejdspladsen.
7. Ret ikke saven mod personer.

8. Ved "blindsavning" (dvs. hvor De ikke kan se, hvad der ligger bag savestedet) bør De sikre Dem, at der ikke er skjulte elektriske ledninger eller vandrør indenfor savsporet. Såfremt der findes elledninger skal disse afmonteres af en fagmand eller man skal save rundt om dem, så man undgår livstruende stød eller brand. Hold altid KUN saven i det isolerede greb for at undgå stød, såfremt De skulle komme til at save i en elledning. Vandrør i "blinde vinkler" skal tømmes og lukkes, før der saves.
9. Sørg for at spidsen af savklingen løber frit under savning. I modsat fald kan saven beskadiges eller der kan ske brud på savklingen. (Fig. 2)
10. Pas på faldende, afsavede emner. De kan forårsage personskade.
11. Ved savning af metaller bør De være opmærksom på nedfaldende varme spåner (brandfare).
12. Rør ikke ved savklingen eller emnet umiddelbart efter savning, idet de kan være særdeles varme og berøring kan medføre forbrændinger.
13. Hvis De under arbejdet trækker savklingen ud af emnet, kan der forekomme stærke tilbageslag, der bevirker, at savklingen springer og De mister kontrollen over saven. Sluk altid saven og vent til savklingen er helt i ro, før De trækker savklingen ud af emnet.

GEM DISSE FORSKRIFTER.

ANVENDELSE

Montering og afmontering af akku (Fig. 3)

- Kontrollér altid, at maskinen er slået fra, før installering eller fjernelse af akkuen.
- For at fjerne akkuen trykkes samtidigt på knapperne på begge sider af akkuen og den trækkes ud af maskinen.
- For at sætte en ny akku i, placeres denne så fjeren på akkuen passer med noten i åbningen på maskinen. Akkuen skubbes helt i bund indtil den klikker på plads i begge sider. Kontrollér altid at akkuen er helt fastlåst ved at trække i den.
- Brug aldrig magt når akkuen sættes i. Hvis ikke akkuen glider i uden besvær, er det fordi den vender forkert.

Opladning (Fig. 4)

En ny akku er ikke opladet ved leveringen. Den skal oplades før brug. Brug akku-ladeaggregat til opladning af akkuen. Tilslut opladeren til stikkontakten. Ladelampen blinker grønt. Sæt akkuen i opladeren således at dens plus- og minuspoler passer med de tilsvarende markeringer på opladeren. Skub akkuen så langt ind at den står på bunden af opladeren. Når akkuen er isat, skifter ladelampen fra grønt til rødt og opladningen begynder. Ladelampen forbliver tændt under hele opladningen. Når ladelampens farve skifter fra rødt til grøn, er opladningen afsluttet. Se nedenstående tabel vedrørende ladetiden. Hvis De efterlader akkuen i opladeren, efter at opladningen er afsluttet, skifter opladeren over til kompensationsladning (vedligeholdelsesladning) funktion. Tag akkuen ud og træk stikket til laderen ud af stikkontakten.

Akku-type	Kapacitet (Ah)	Antal celler	Ladetid ved anvendelse
1822 (Ni-cd)	2,0	15	Ca. 45 min.
1833 (Ni-MH)	2,2	15	Ca. 50 min.
1834 (Ni-MH)	2,6	15	Ca. 60 min.
1835 (Ni-MH)	3,0	15	Ca. 70 min.

FORSIGTIG:

- Akku-ladeaggregat er beregnet til opladning af Makita akkuer. Brug den aldrig til andre formål eller til opladning af akkuer af andre fabrikater.
- Ved opladning af en ny akku eller en akku, der ikke har været brugt længe, kan det ske at akkuen ikke oplades helt. Dette er normalt, og akkuen vil atter kunne oplades helt, når den har været opladet og afladet nogle gange.
- Hvis man forsøger at oplade en akku, der lige har været i brug eller udsat for stærk varme, vil ladelampen evt. blinke rødt. Sker dette, kan opladningen først startes, når akkuen er afkølet. Akkuen afkøles hurtigere hvis den tages ud af laderen.
- Hvis ladelampen blinker skiftevis grønt og rødt, er opladning ikke mulig. Polerne på opladeren eller akkuen er ikke rene, akkuen er beskadiget eller akkuen er slidt op.

Kompensationsladning (vedligeholdelsesladning)

Hvis De efterlade akkuen i opladeren for at forebygge spontan afladning efter en fuld opladning, skifter opladeren til dens "kompensationsladning (vedligeholdelsesladning)" funktion, og holder derved akkuen frisk og fuldt opladet.

Tips til sikring af maksimal akku-levetid

1. Oplad akkuen, før den er fuldt afladet.
Stop altid med at bruge maskinen, og oplad akkuen, når De bemærker reduceret maskinkraft.
2. Oplad aldrig en fuldt opladet akku.
Over-opladning forkorter akkuens levetid.
3. Oplad akkuen ved en rumtemperatur på 10°C – 40°C.
Lad en varm akku køle, før den oplades.
4. Oplad nikkel metalhydrid akkuen, når De ikke har anvendt den indenfor et halvt år.

Montering og afmontering af savklinge

FORSIGTIG:

- Fjern altid alle spåner og urenheder, der klæber til klingens, klingefastholder og/eller skyder. Forsømmes dette kan det medføre, at klingens ikke bliver fastgjort korrekt, hvilket kan lede til alvorlig tilskadekomst.

Ved montering af savklingen skal det altid kontrolleres, at klingefastholdermuffen er i frigjort position, før klingens sættes i. Hvis klingefastholdermuffen er i låst position, roteres den til frigjort position. (Fig. 5)

Sæt savklingen så langt som muligt ind i klingefastholderen. Klingefastholdermuffen drejer og savklingen låses fast. Kontrollér, at savklingen ikke kan trækkes ud, selv om dette sørges. (Fig. 6)

BEMÆRK:

Hvis man ikke sætter savklingen tilstrækkeligt langt ind, kan savklingen pludselig blive skudt ud under brugen. Dette kan være ekstremt farligt.

Afmonter savklingen ved at dreje klingefastholdermuffen hele vejen i pilens retning. Savklingen kommer fri, og klingefastholdermuffen fastholdes i den frigjorte position. (Fig. 7)

BEMÆRK:

Hvis man fjerner savklingen uden at dreje klingefastholdermuffen hele vejen, vil muffen muligvis ikke blive fastgjort. I så tilfælde drejes klingefastholdermuffen hele vejen, for at gøre muffen fast i den frigjorte position.

Indstilling af føringsanslag (Fig. 8)

Når savklingsens skærekant er nedslidt et sted, kan De ændre føringsanslagets indstilling, så De efterfølgende kan anvende et skarpt, ubrugt sted på savklingen. Der ved øges savklingsens levetid. For at ændre føringsanslagets indstilling, løsnes arreteringsgrebet og føringsanslaget skubbes frem eller bagud til den ønskede position. Stram dernæst arreteringsgrebet for at fastgøre føringsanslaget.

Afbryderfunktion (Fig. 9)

FORSIGTIG:

Før akkuen sættes i maskinen, skal det altid kontrolleres, at afbryderen fungerer korrekt og at den springer tilbage i "OFF" position, når den slippes.

For at forhindre at afbryderen trykkes ind ved et uheld, er maskinen forsynet med en kontaktpærreknapp. Start maskinen ved at trykke kontaktpærreknappen ind og derefter trykke på afbryderen. Kontaktpærreknappen kan trykkes ind fra både venstre og højre side af maskinen. Maskinens hastighed øges ved øget tryk på afbryderen. Slip afbryderen for at stoppe, hvorefter den slippes igen.

Drift (Fig. 10)

Tryk føringsanslaget fast mod emnet for at undgå tilbageslag på saven. Benyt kun skarpe og fuldt funktionsdygtige savklinger. Hold saven således, at savklingen netop berører emnet. Start savningen med lav hastighed. Derefter kan De indstille omdrejningstallet på den optimale savehastighed. For at minimere vibrationer under savningen bør De undgå at forcere trykket på savklingen. For kraftigt tryk øger ikke savehastigheden, men fører til kortere levetid for savklingen.

FORSIGTIG:

- Ved savning af metal bør De altid anvende et egnet kølemiddel (skæreeolie). Anvender De ikke kølemiddel medfører det unødvendigt slid på savklingen.
- Ved savning af metal bør De altid bære handsker for at beskytte hænderne mod flyvende, varme spåner.
- For at minimere vibrationerne under brug skal De altid trykke føringsanslaget fast mod emnet. Såfremt føringsanslaget ikke ligger an mod emnet under savningen, forekommer kraftige tilbageslag og/eller drejninger af saven og man risikerer, at savklingen springer.

VEDLIGEHOVELSE

ADVARSEL:

Sørg altid for at maskinen er slukket, og at akkuen er taget ud før der gennemføres noget arbejde på selve maskinen.

Udskiftning af kulborster (Fig. 11 og 12)

Udskift kulborsterne, når de er slidt ned til slidmarkeringslinjen. De to identiske kulborster bør udskiftes samtidigt.

For at opretholde produktets sikkerhed og pålidelighed, må istandsættelse, vedligeholdelse eller justering kun udføres af et autoriseret Makita service center.

TILBEHØR

FORSIGTIG:

- Dette udstyr og tilbehør bør anvendes sammen med Deres Makita maskine, sådan som det er beskrevet i denne brugsanvisning. Anvendelse af andet udstyr eller tilbehør kan udgøre en risiko for personskade. Tilbehøret bør kun anvendes til det, det er beregnet til.

Hvis De behøver hjælp ved valg af tilbehør eller ønsker yderligere informationer, bedes De kontakte Deres lokale Makita service center.

- Bajonetsavklinge
- Transportkuffert
- Forskellige typer af originale Makita-akkuer og opladere
- Batteridæksel

Förklaring av allmän översikt

1	Batterikassett	8	Sågblad	14	Slitmarkering
2	Tryckknapp	9	Låsspak för anslag	15	Spårmejsel
3	Laddningslampa	10	Anslag	16	Kolhållarlock
4	Batteriladdare	11	Strömställare		
5	Frigjort läge	12	Strömställarspär (Säkerhetsknapp)		
6	Låst läge	13	Tryck in		
7	Bladklämmans hylsa				

TEKNISKA DATA

Modell	JR180D
Slaglängd	23 mm
Slagtal	0 – 2 700/min
Sågkapacitet	
Rör	90 mm
Trä	90 mm
Längd	469 mm
Vikt (Med batterikassett)	3,5 kg
Märkspänning	18 V likström

- På grund av det kontinuerliga programmet för forskning och utveckling, kan här angivna tekniska data ändras utan föregående meddelande.
- Observera: Tekniska data kan variera i olika länder.

Säkerhetstips

För din egen säkerhets skull, bör du läsa igenom de medföljande säkerhetsföreskrifterna.

VIKTIGA SÄKERHETSINSTRUKTIONER FÖR LADDARE OCH KRAFTKASSETT

1. **SPARA DESSA INSTRUKTIONER** — Denna instruktionsbok innehåller viktiga säkerhets- och användarinstruktioner för batteriets laddare.
2. Innan du använder laddaren, läs alla instruktioner och varnings etiketter på (1) laddaren, (2) kraftkassett / batteri, och (3) produkten som batteriet används för.
3. **WARNING** — För att reducera risken för skada, ladda endast MAKITA's kraftkassetter i denna laddare. Andra typer av batterier kan explodera och orsaka skada på person och egendom.
4. Utsätt inte laddaren för regn eller snö.
5. Användning av tillbehör som ej är rekommenderade eller sålda av laddarens tillverkare, kan resultera i risk för eldsvåda, elektrisk stöt, eller personskada.
6. För att undvika risk för skada på stickpropp eller sladd, fatta tag om stickproppen istället för att dra i sladden vid bortkoppling från eluttaget.
7. Se till att nätsladden placeras så att den ej blir trampad på, snubblas över, eller på annat sätt utsätts för skada eller onödig belastning.
8. Använd aldrig laddaren med skadad stickpropp eller sladd, utan byt dem omgående.
9. Använd ej laddaren om den har utsatts för ett kraftigt slag, blivit tappad, eller på annat sätt blivit skadad, utan ta den till en auktoriserad serviceverkstad för kontroll och reparation.
10. Ta ej isär laddaren eller kraftkassetten, utan ta den till en auktoriserad serviceverkstad när service eller reparation behövs. Felaktig reparation eller montering kan orsaka i elektrisk stöt eller eldsvåda.

11. För att reducera risken för elektrisk stöt, koppla bort laddaren från eluttaget innan du utför något underhåll eller rengöring. Laddarens egna bryt-funktioner kommer ej att reducera denna risk.

SÄRSKILDA ANVISNINGAR FÖR LADDARE OCH KRAFTKASSETT

1. Ladda inte kraftkassetten vid en omgivningstemperatur under 10°C eller över 40°C.
2. Laddaren får ej anslutas till ett besinmotordrivet elverk eller spänningsomvandlare — även om dessa anges lämna 230 V växelström. Vid ogynnsamma förhållanden kan både kraftkassett och laddare förstöras p.g.a. att laddningen ej bryts.
3. Ventilationsöppningarna i laddarens hölje får ej blockeras. Observera att även bottenstycket har öppningar.
4. Sätt alltid på det medföljande kontaktskyddet när kraftkassetten förvaras löst.
5. Kortslut ej kraftkassetten:
 - (1) Rör ej kontaktblecken med något ledande material.
 - (2) Förvara ej kraftkassetten i en verktygslåda tillsammans med metallföremål som spikar, skruvar, mynt, etc.
 - (3) Utsätt ej kraftkassetten för vatten eller regn. Vid en eventuell kortslutning kan mycket höga strömmar uppträda och förstöra kraftkassetten och i värsta fall även förorsaka brand.
6. Förvara ej maskinen eller kraftkassetten i ett utrymme där temperaturen är, eller kan bli uppe mot 50°C.
7. Försök aldrig att förbränna kraftkassetten, även om den är kraftigt skadad eller helt förbrukad. Kraftkassetten kan explodera i eld.
8. Var försiktig och utsätt ej kraftkassetten för fall, slag eller stötar.
9. Ladda ej kraftkassetten i en låda eller slutet utrymme av något slag. Laddaren skall placeras i ett väl ventilerat utrymme under laddningen.
10. Kraftkassetten kan lagras i åratals utan att förstöras. Beroende på lagringstidens längd kommer en uppladdad kraftkassett att förlora mer eller mindre av energimängden på grund av självurladdning. Detta är dock helt normalt och full kapacitet återfås efter "cykling" vilket är lika med 3 – 4 upp- och urladdningar. Helt nya kraftkassetter bör också laddas upp och ur ("cyklas") några gånger för att uppnå full kapacitet. Skall en kraftkassett långtidslagras bör den vara urladdad.

11. Bästa prestanda hos kraftkassetten erhålls när den normalt används tills den är helt urladdad och därefter laddas upp fullt igen. Undvik upprejade extremt korta ur- och uppladdningar. Om det skulle visa sig att användningstiden blir allt kortare efter laddningarna kan dock ursprunglig kapacitet mestadels återställas med några fullständiga ur- och uppladdningar. Urladdning sker enklast genom att spärra maskinen i tillslaget läge och låta motorn gå tills den stannar. Iakttag dock största försiktighet vid denna operation och håll maskinen oätkomlig för obehöriga. Ovanstående gäller givetvis ej om kraftkassetten är utsliten och förbrukad.

VIKTIGT FÖR VÅR MILJÖ !

Battericellerna i kraftkassetten innehåller som aktiv komponent den miljöfarliga tungmetallen kadmium och skall enligt lag omhändertaras för återvinning, när de är förbrukade. Lämnas in kraftkassetten till inköpsstället eller till vilken annan butik som helst med försäljning av uppladdningsbara batterier eller apparater. I landets kommuner finns dessutom återvinnings- eller miljöstationer som bland annat tar emot Nickel-kadmium batterier.

TILLÄGGSANVISNINGAR FÖR MASKINEN

1. **VARNING !** Tänk på att den här maskinen, till skillnad från en nätansluten, alltid är startklar.
2. Använd **ALLTID** skyddsglasögon eller ansiktssvisir. Dessutom rekommenderas hörselskydd och vadderade handskar.
3. Använd **ALDRIG** blad, som har bitar bortbrutna, är krökta eller på annat sätt skadade.
4. Välj blad med rätt längd för sågningen. Fig. 1 illustrerar felaktig bladlängd. Bladet är för kort och kommer att slå mot rörväggen och sannolikt brytas av.

Laddning (Fig. 4)

Vid leverans är kraftkassetten oladdad. Den måste laddas före användning. Använd batteriladdaren för att ladda upp kraftkassetten.

Sätt i batteriladdaren i ett lämpligt växelströmsuttag. Laddningslampan tänds med ett grönt ljus. Sätt i kraftkassetten så att plus- och minuspolerna på kraftkassetten är på samma sida som respektive markeringar på batteriladdaren. För in kassetten helt och fullt i laddningsurtaget så att den vilar mot laddningsurtagets botten. När kraftkassetten satts i ändras laddningslampans färg från grönt till rött och laddningen påbörjas. Laddningslampan lyser med stadigt sken under hela laddningen. När laddningslampan ändrar färg från rött till grönt är laddningen avslutad. Se i tabellen nedan för laddningstid. Om du lämnar kraftkassetten i laddaren efter avslutad laddning övergår laddaren till läget "strömladdning (underhållsladdning)" vilket varar i ungefär 24 timmar. Dra ur laddarens nätkabel från strömkällan efter laddningen.

Batterityp	Kapacitet (mAh)	Antal celler	Laddningstid
1822 (Ni-cd)	2,0	15	Ungefär 45 min.
1833 (Ni-MH)	2,2	15	Ungefär 50 min.
1834 (Ni-MH)	2,6	15	Ungefär 60 min.
1835 (Ni-MH)	3,0	15	Ungefär 70 min.

FÖRSIKTIGHET:

- Batteriladdaren är avsedd för laddning av Makita kraftkassett. Använd den aldrig för andra ändamål eller för att ladda batterier av andra märken.
- Vid laddning av en ny kraftkassett, eller en kraftkassett som inte använts under lång tid kan det hända att kraftkassetten inte kan laddas fullt. Detta är normalt och indikerar inte någon felaktighet hos laddare eller kassett. Kraftkassetten kan laddas fullt efter att den laddats upp och laddats ur några gånger.

5. Håll maskinen i ett stadigt grepp med båda händerna.
6. Kontrollera innan genomsågning av väggar, golv, tak etc.. att inga bakomliggande elkablar, vattenledningar, gasrör eller liknande löper risk att kapas. Säg aldrig upp slutna behållare, som kan misstänkas ha innehållit bensin, olja, gas eller andra brandfarliga ämnen.
7. Varning för 'bakslag'! Var speciellt försiktig vid genomsågning, så att bladet ej träffar stumt material. Rekylen kan bli häftigt och skada såväl blad som maskin.
8. Slå av motorn och låt bladet HELT stanna, innan det dras bort från arbetsstycket.
9. Undvik beröring av sågbladet och arbetsstycken av metall direkt efter avslutad sågning. Såväl blad som arbetsstycke kan bli mycket heta.

SPARA DESSA ANVISNINGAR.

BRUKSANVISNING

Montering och demontering av kraftkassetten (Fig. 3)

- Stäng alltid av maskinen innan kraftkassetten monteras eller demonteras.
- Ta bort kraftkassetten genom att dra av den från maskinen samtidigt som du trycker på knapparna på båda sidorna av kassetten.
- Sätt på kraftkassetten genom att passa in tungan på kraftkassetten mot skåran i maskinhuset och skjuta den i läge. Skjut alltid in kraftkassetten ända in tills den låses i läge med ett litet klickljud. Om kraftkassetten inte låses i läge kan den av misstag falla ur sitt läge och därmed orsaka skador på dig själv eller personer i närheten.
- Tvinga inte kraftkassetten i läge vid montering. Om kassetten inte lätt glider i läge utförs inte monteringen korrekt.

- Vid laddning av en kraftkasset från en maskin som just använts, eller en kraftkasset som har legat på en plats utsatt för direkt solljus eller värme under en längre tid kan det hända att laddningslampan blinkar med rött sken. Vänta en stund om detta inträffar. Laddningen påbörjas efter att kraftkassetten svalnat. Kraftkassetten svalnar snabbare om du avlägsnar den från batteriladdaren.
- Om laddningslampan blinkar med omväxlande grönt och rött sken har ett problem uppstått, och laddning kan inte genomföras. Kontaktorna på laddaren eller kraftkassetten är igensatta med damm eller skräp, eller så är kraftkassetten utsliten eller skadad.

Strömladdning (underhållsladdning)

Laddaren övergår till läget för "strömladdning (underhållsladdning)" om du lämnar kvar batteripaketet i laddaren, för att förhindra att batteriet laddas ur spontant efter en fulladdning, och batteripaketet kan därmed hållas fräscht och fulladdat.

Tips för att upprätthålla maximal livslängd för batteriet

1. Ladda upp batteripaketet innan det är fullständigt urladdat. Avbryt alltid arbetet som du utför med maskinen, och ladda upp batteripaketet, när du märker att kraften i maskinen minskar.
2. Ladda aldrig ett fulladdat batteripaket. Överladdning minskar batteriets livslängd.
3. Ladda batteripaketet i rumstemperatur vid 10°C – 40°C. Låt ett batteripaket, som har blivit varmt, svalna innan det laddas.
4. Ladda upp kraftkassetten, av typ nickel metallhydrid, om du inte använder den på mer än sex månader.

Montering och borttagning av sågblad

FÖRSIKTIGHET:

- Ta bort alla spån och andra material som sitter fast på sågbladet, bladklämman och/eller skjuthållaren. I annat fall finns det risk för att sågbladet inte kan fästas tillräckligt vilket kan leda till allvariga olyckor.

Se vid monteringen av sågbladet till att bladklämmans hylsa är i det frigjorda läget innan sågbladet sätts i. Om bladklämmans hylsa är i det låsta läget måste hylsan roteras så den kommer i det frigjorda läget. **(Fig. 5)**

Sätt i sågbladet i bladklämman så långt det går. Bladklämmans hylsa roteras, och sågbladet är sedan låst. Kontrollera att bladet inte lossnar om du drar i det. **(Fig. 6)**

OBSERVERA:

Om du inte för in sågbladet tillräckligt långt kan det oväntat lossna under sågarbetet. Detta är oerhört riskfyllt.

Rotera bladklämmans hylsa helt i pilens riktning för att ta bort sågbladet. Sågbladet lossnar och bladklämmans hylsa låses i det frigjorda läget. **(Fig. 7)**

OBSERVERA:

Om du tar bort sågbladet utan att ha roterat bladklämmans hylsa helt, kan det leda till att hylsan inte låses i det frigjorda läget. Rotera i så fall bladklämmans hylsa helt för att låsa den i det frigjorda läget.

Justering av anslaget (Fig. 8)

När bladet förlorar sågkapaciteten på en viss del av dess egg, kan anslagets läge justeras för att göra bruk av en skarp, oanvänd del av bladet. Detta hjälper till att förlänga bladets livslängd. Lossa spaken för att justera anslagets läge, och skjut anslaget framåt eller bakåt till önskat läge. Dra sedan åt spaken för att säkert fästa anslaget.

Strömställarens funktion (Fig. 9)

FÖRSIKTIGHET!

Kontrollera alltid att strömställaren fungerar normalt, och att den återgår till det avstängda läget ("OFF") när den släpps, innan du sätter i batterikassetten.

För att förhindra att strömbrytaren trycks in av misstag har maskinen försetts med en strömställarspär (säkerhetsknapp). Starta maskinen genom att trycka in strömställarspärren, och tryck därefter på strömställaren. Strömställarspärren (säkerhetsknappen) kan tryckas in från antingen vänster eller höger sida av maskinen. Maskinens varvtal ökar ju mer strömställaren trycks in. Släpp strömställaren för att stanna.

Användning (Fig. 10)

Starta med låg hastighet och öka så snart ett styrspår tagits upp. Tryck anslaget tillräckligt hårt mot arbetsstycket för att hindra maskinen från att studsas.

FÖRSIKTIGHET!

- Använd en lämplig kylvätska (skårolja) vid metallsågning. Utan kylning förlorar tänderna på bladet snabbt skärpan.
- Använd alltid handskar som skydd mot metallspån.
- Anslaget skall hela tiden hållas tryckt mot arbetsstycket. Maskinen kommer i annat fall att studsas kraftigt, varvid risken för bladbrott är stor.

UNDERHÅLL

FÖRSIKTIGHET!

Tillse alltid att maskinen är fränkopplad och att batteriet tagits ur maskinen innan Du utför arbete på denna.

Utbyte av kolborstar (Fig. 11 och 12)

Ut byt kolborstarna när de slitits ner till slitagränsmarkeringen. Byt alltid ut båda kolborstarna samtidigt.

För att bibehålla produktens säkerhet och tillförlitlighet, bör alltid reparationer, underhållsservice och justeringar utföras av auktoriserad Makita serviceverkstad.

TILLBEHÖR

FÖRSIKTIGHET:

- Dessa tillbehör och tillsatser rekommenderas för användning tillsammans med den maskin från Makita som anges i den här bruksanvisningen. Att använda några andra tillbehör eller tillsatser kan medföra en risk för personskador. Använd endast tillbehören och tillsatserna för de ändamål som de är avsedda för.

Kontakta ditt lokala Makita servicecenter om du behöver hjälp med eller mer detaljerad information om dessa tillbehör.

- Tigersågblad
- Förvaringsväska av plast
- Olika typer av Makita originalbatterier och -laddare
- Batteridæksel

Forklaring til generell oversikt

1	Batteri	7	Bladklemmemansjett	13	Trykk inn
2	Trykknapp	8	Blad	14	Grensemerke
3	Ladelampe	9	Hendel	15	Skrutrekker
4	Batterilader	10	Anleggsfot	16	Kullbørste
5	Frigjort posisjon	11	Bryter		
6	Fast posisjon	12	Sperreknapp		

TEKNISKE DATA

Modell	JR180D
Slaglengde	23 mm
Slag pr minutt	0 – 2 700
Skagekapasitet	
Rør	90 mm
Tre	90 mm
Lengde	469 mm
Nettvekt (Med batteri)	3,5 kg
Klassifisert spenning	D.C. 18 V

- Grunnet det kontinuerlige forsknings- og utviklingsprogrammet, forbeholder vi oss retten til å foreta endringer i tekniske data uten forvarsel.
- Merk: Tekniske data kan variere fra land til land.

Sikkerhetstips

For din egen sikkerhets skyld ber vi deg lese de medfølgende sikkerhetsreglene.

VIKTIGE SIKKERHETSREGLER FOR LADER OG BATTERI

1. **TA VARE PÅ BRUKSANVISNINGEN** — den inneholder viktige sikkerhetsregler og bruksveiledning for batteri laderen.
2. Les alle sikkerhetsregler og advarsler på (1) laderen, (2) batteriet og (3) produktet som batteriet skal brukes til før laderen tas i bruk.
3. **VIKTIG** — Reduser faren for skader — bruk kun batterier av Makita type. Andre typer batterier kan eksplodere og forårsake skader, både på personer og omgivelsene.
4. Utsett ikke laderen for regn eller snø.
5. Bruk av utstyr som ikke er anbefalt av eller selges av produsenten av laderen kan medføre fare for brann, elektrisk støt eller personskader.
6. Rykk ikke i ledningen for å løsrive støpselet fra kontakten.
7. Sørg for at ledningen ligger slik at ingen trår på eller snubler i den. Hold ledningen unna varme og skarpe kanter.
8. Bruk ikke laderen hvis ledningen eller støpselet er skadet — skift ut straks.
9. Har hurtigladeren falt i gulvet eller vært utsatt for slag eller på annen måte vært utsatt for skade, bør den repareres på autorisert verksted.
10. Demonter ikke lader eller batteri på egen hånd. Feil montering kan medføre fare for elektriske støt. La et autorisert verksted utføre reparasjoner hvis nødvendig.
11. Faren for elektriske støt ved rengjøring og vedlikehold reduseres ved å fjerne støpselet fra kontakten. Nullstilling av kontrollbrytere reduserer ikke denne faren.

EKSTRA SIKKERHETSREGLER FOR LADER OG BATTERI

1. Ikke lad batteriet ved temperaturer UNDER +10°C eller OVER +40°C.
2. Kan ikke brukes med opp transformator, aggregat eller likestrømskontakt.
3. Sørg for at luftehullene ikke tildekkes eller tettes igjen.
4. Batteriterminalene må alltid være dekket til med batteridekslet når batteriet ikke er i bruk.
5. Dette kan medføre kortslutning av batteriet:
 - (1) Terminalen må ikke komme i kontakt med strømførende materialer.
 - (2) Unngå å oppbevare batteriet sammen med andre metallgjenstander som f. eks. spikre, mynter etc.
 - (3) Batteriet må ikke utsettes for vann eller regn. Et batteri som kortslettes kan forårsake stor elektrisk strømavgang, overoppheting, brannskader og driftsstans.
6. Hverken verktøy eller batteri må oppbevares på steder hvor temperaturen kan nå eller overskride +50°C.
7. Kast ikke batteriet på åpen ild, selv om det er ødelagt eller totalt utslitt. Batteriet kan da eksplodere.
8. Batteriet må ikke falle på gulvet, ristes eller utsettes for slag.
9. Batteriet må ikke lades opp inni en beholder av noe slag. Opplading av batteriet må foregå på et sted hvor ventilasjonen er god.

EKSTRA SIKKERHETSREGLER FOR MASKINEN

1. Vær oppmerksom på at maskinen alltid vil være i startposisjon siden den ikke skal koples til strømmettet.
2. Bruk alltid hjelm og vernebriller. Det anbefales også å bruke støvmaske, hørselsvern samt tykke arbeidshansker.
3. Kontroller at sagbladet er uten skader. Skadet sagblad må byttes umiddelbart.
4. Forsøk ikke å kutte emner som er større enn kapasiteten som er beskrevet i denne bruksanvisning (spesielt ikke rør). Sagbladet vil butte i emnet og forårsake skade. (Fig.1)
5. Hold verktøyet stødig med begge hender.
6. Forsikre deg om at ingen personer befinner seg under arbeidsstedet om man arbeider på stillas, etc.
7. Ikke rett verktøyet mot person i den umiddelbare nærhet.

8. Ved saging gjennom vegger, gulv eller andre steder hvor det kan befinne seg elektriske ledninger, **IKKE FØR NOEN AV VERKTØYETS METALLDELER!** Hold verktøyet i de isolerte gripeflatene for å forhindre et eventuelt elektrisk støt.
9. Unngå at sagbladets ende treffer noe under arbeidet da dette kan forårsake skade på verktøyet eller arbeidsemnet. (Fig. 2)
10. Se opp for fallende deler fra arbeidsemnet etter hvert som man sager.
11. Se opp for varmt metallspion når man skjærer i metall.
12. Ikke berør sagbladet eller arbeidsemnet umiddelbart etter sagingen, da dette kan være meget varmt og forårsake brannskader.
13. Hvis man ønsker å ta ut sagen fra arbeidsemnet før fullendt saging må man alltid vente til sagen har stoppet før denne tas ut fra skjærestedet.

BRUKSANVISNINGER

Montering og demontering av batteriet (Fig. 3)

- Maskinen må alltid slås av før batteriet settes i eller tas ut.
- Batteriet fjernes fra maskinen ved å trekke det ut samtidig som knappene på begge sider av batteriet trykkes inn.
- Batteriet settes i ved å passe tungen på batteriet inn etter sporet i kammeret og så skyve det på plass. Batteriet må føres helt inn til det låses på plass med et lite klikk. Hvis dette ikke gjøres kan det falle ut mens maskinen er i bruk, og påføre brukeren eller eventuelle tilstedeværende legemsskader.
- Batteriet må ikke settes i med makt. Hvis det ikke med letthet glir på plass er det fordi det settes i på feil måte.

TA VARE PÅ DISSE INSTRUKSENE.

Lading (Fig. 4)

Det nye batteriet er ikke ladet. Det må derfor lades opp før bruk. Bruk batterilader til dette.

Kople batteriladeren til strømmettet (AC). Ladelampen blinker grønt. Sett i batteriet slik at pluss (+) og minus (-) er på samme side som respektive markeringer på batteriladeren. Sett batteriet helt inn i i åpningen så det hviler i bunnen på laderen. Når batteriet settes i vil ladelampen skifte farge fra grønn til rød, og ladingen vil begynne. Ladelampen vil lyse så lenge ladingen pågår. Når ladelampens farge skifter fra rød til grønn, betyr det at ladesyklusen er fullført. Se tabellen under om ladetid. Hvis batteriet blir stående i laderen etter at ladingen er ferdig, vil laderen gå over i "dryppladingsmodus" (vedlikeholdsladning). Etter ladingen koples laderen fra strømmettet.

Batteritype	Kapasitet (Ah)	Antall celler	Ladetid
1822 (Ni-cd)	2,0	15	Ca. 45 min.
1833 (Ni-MH)	2,2	15	Ca. 50 min.
1834 (Ni-MH)	2,6	15	Ca. 60 min.
1835 (Ni-MH)	3,0	15	Ca. 70 min.

NB!

- Batterilader er til lading av Makita batteri. Den må ikke brukes til andre formål eller til batterier av annet fabrikat.
- Ved lading av et nytt batteri eller et som ikke har vært i bruk på en stund, kan det være vanskelig å lade det helt opp. Dette er normalt og ikke tegn på noe galt. Batteriet lar seg lade fullt opp etter at det har vært helt utladet og oppladet igjen et par ganger.
- Hvis du lader opp et batteri fra en maskin som nettopp har vært i bruk, eller et batteri som har vært utsatt for direkte sol eller annen varme, vil ladelampen blinke rødt. Hvis dette skjer, venter du en stund. Ladingen starter når batteriet er avkjølt. Batteriet avkjøles raskere hvis det fjernes fra batteriladeren.
- Hvis ladelampen blinker vekselvis i grønt og rødt, tyder det på at noe er galt og lading er derfor ikke mulig. Terminalene på laderen eller batteriet er enten tilstoppet med støv eller batteriet er dødt eller ødelagt.

Drypplading (vedlikeholdsladning)

Hvis du lar batteriet stå i laderen for å forhindre utlading etter full opplading, vil laderen gå over i "dryppladingsmodus" (vedlikeholdsladning) og holde batteriet i oppladet stand.

Noen tips for å vedlikeholde batteriets maksimale levetid

1. Lad batteriet opp før det blir helt utladet.
Stans maskinen og lad opp batteriet så snart du merker at maskineffekten begynner å synke.
2. Lad aldri opp et helt oppladet batteri.
Overopplading vil redusere verktøyets levetid.
3. Lad batteriet opp under romtemperatur på 10°C – 40°C.
Et varmt batteri bør avkjøles før det lades opp.
4. Nikkelmetallhydrid -batteriet må lades opp når det ikke skal brukes på mer enn 6 måneder.

Montere eller demontere sagbladet

NB!

- Rens alltid ut eventuelt spon eller fremmedlegemer fra bladet, bladklemmen og/eller vognen. Hvis dette ikke gjøres kan det resultere i utilstrekkelig stramming av bladet og dette kan forårsake en ulykke.

Bladet monteres ved å sikre at bladklemmemansjettene er i frigjort posisjon før bladet settes inn. Hvis bladklemmemansjettene er i fast posisjon, roteres mansjettene slik at bladklemmen frigjøres. (Fig. 5)

Sett bladet inn i bladklemmen så langt det kan komme. Roter bladklemmemansjettene slik at sagbladet festes. Kontroller at sagbladet ikke lar seg trekke av selv om en drar i det. (Fig. 6)

MERKNAD:

Hvis bladet ikke føres langt nok inn, kan det komme til å sprette av under bruk. Dette kan være meget farlig.

Sagbladet demonteres ved å rotere bladklemmemansjettene helt i pilens retning. Sagbladet kan nå fjernes og bladklemmemansjettene festes i frigjort posisjon. (Fig. 7)

MERKNAD:

Hvis sagbladet demonteres uten at bladklemmemansjettene roteres fullstendig, vil bladklemmemansjettene feste seg. I dette tilfellet roteres bladklemmemansjettene helt slik at og mansjettene festes i frigjort posisjon.

Justere skoen (Fig. 8)

Når blader begynner å bli sløvt et enkelt sted langs skjæreeggen, rejusteres skoen så et skarpt, ubrukt sted på bladet kan brukes. Dette vil også forlenge bladets levetid. Skoen rejusteres ved å løsne hendelen og skyve skoen forover eller bakover til ønsket posisjon. Stram deretter hendelen forsvarlig så skoen sitter fast.

Bryter (Fig. 9)

NB!

Før batteriet settes inn i maskinen, må du alltid sjekke at startbryteren fungerer som den skal og går tilbake til "OFF" når den slipes.

For å forhindre at startbryteren aktiveres ved et uhell, er den utstyrt med en sperreknapp. Maskinen startes ved å trykke inn sperreknappen og deretter startknappen. Sperreknappen kan trykkes inn både fra maskinens venstre og høyre side. Hastigheten øker med trykket på bryteren. Slipp bryteren for å stoppe.

Saging (Fig. 10)

Press anleggsfoten mot arbeidsområdet for å unngå tilbakeslag. Hold sagen slik at den så vidt har kontakt med området og start sagen med lav hastighet. Etter å ha laget et lite spor kan man øke til ønsket hastighet.

NB!

- Ved saging i metall bør man bruke egnet skjæreolje for ikke å slite unødvendig på sagbladet.
- Ved saging i metall bør man alltid bruke arbeidshansker for å beskytte mot varmt metallspen.
- For å minske vibrasjoner under saging må man alltid sørge for at anleggsfoten er godt presset mot arbeidsområdet. Hvis ikke, kan det forekomme kraftige tilbakeslag med påfølgende skade.

SERVICE

NB!

Før det utføres arbeidet på maskinen må du alltid forvise deg om at maskinen er slått av og akkumulatoren er tatt ut.

Skifte av kullbørster (Fig. 11 og 12)

Skifte av kullbørstene når de er slitt ned til grensemerkingen. Begge kullbørstene må skiftes ut samtidig.

For å garantere at maskinen arbeider sikkert og pålitelig bør reparasjoner, servicearbeider eller innstillinger utføres av et autorisert Makita-serviceverksted.

TILBEHØR

NB!

- Følgende ekstrautstyr og tilbehør er anbefalt for din Makita-maskin som spesifisert i denne bruksanvisningen. Bruk av ekstrautstyr og tilbehør fra andre produsenter kan medføre fare for personskade. Ekstrautstyr og tilbehør må bare brukes til formål de er beregnet for.

Ta kontakt med ditt lokale Makita-servicesenter hvis du vil vite mer om dette ekstrautstyret.

- Bajonett-sagblad
- Bæreetui av plast
- Ulike typer originale batterier og ladere fra Makita
- Batterilock

Yleisselostus

1 Akku	7 Terän kiristysholkki	13 Paina sisään
2 Painonappi	8 Terä	14 Hillen max kulutus
3 Latausvalo	9 Vipu	15 Ruuviavain
4 Akkulaturi	10 Kosketuskenkä	16 Hiilikansi
5 Vapautettu asento	11 Liipaisinkytkin	
6 Kiinnitetty asento	12 Lukituksen vapautuspainike	

TEKNISET TIEDOT

Malli	JR180D
Iskun pituus	23 mm
Pistonopeus min	0 – 2 700
Leikkauskapasiteetti	
Putki	90 mm
Puu	90 mm
Pituus	469 mm
Paino (ilman puristussarjaa)	3,5 kg
Nimellisjännite tasavirta	18 V tasavirta

- Jatkuvan tutkimus- ja kehitysohjelman vuoksi pidämme oikeuden muuttaa tässä mainittuja teknisiä ominaisuuksia ilman ennakkoilmoitusta.
- Huomaa: Tekniset ominaisuudet saattavat vaihdella eri maissa.

Turvaohjeita

Oman turvallisuutesi vuoksi lue mukana seuraavat turvaohjeet.

TÄRKEITÄ TURVAOHJEITA
AKKULATURIA JA AKKUPARISTOA VARTEN

1. **SÄÄSTÄ KÄYTTÖOHJEET** — Tämä käsikirja sisältää tärkeitä turvaohjeita ja akkulaturin käyttöohjeet.
2. Ennen akkulaturin käyttöä lue kaikki (1) akkulaturin, (2) akun ja (3) koneen käyttöohjeet sekä varoituserkinnät niihin kiinnitetyistä kilvistä.
3. **VAROITUS** — Onnettomuuksien välttämiseksi lataa vain MAKITA - merkittyjä, uudelleenladattavia akkuja. Toisenmerkkiset akut voivat laadattaessa räjähtää aiheuttaen mahdollisesti myös henkilöön kohdistuvia onnettomuuksia tai muita vahinkoja.
4. Älä jätä akkulaturia vesisateeseen tai lumeen.
5. Laitteen tai koneen käyttö, jota akkulaturin valmistaja ei ole suositellut tai toimittanut, voi johtaa tulipalon syttymiseen, sähköiskuun tai onnettomuuksiin sitä käyttäville henkilöille.
6. Pistoke- ja kaapelivaurioiden estämiseksi, vedä mieluummin pistokkeesta kuin kaapelista, akkulaturia pistorasiasta irrottaessasi.
7. Varmista kaapelin sijoitus siten ettei sen päälle voida astua, siihen kompastua tai ettei sitä voida venyttää vetämällä vaurioittaen.
8. Älä käytä akkulaturia kaapelin tai pistokkeen vaurioituttua — uusi ne välittömästi.
9. Älä käytä akkulaturia jos siihen on kohdistunut kova isku tai se on muuten mahdollisesti vahingoittunut. Toimita akkulaturi ensin sähkölaittehuoltoon tarkistettavaksi.

10. Älä yritä itse korjata akkulaturia. Älä pura itse akkulaturia tai akkupatruunaa, toimita ne sähkölaittehuoltoon tarkistettavaksi ja tarvittaessa huollettavaksi ja korjattavaksi. Virheellinen kokoonpano voi aiheuttaa sähköiskun tai tulipalon syttymisen.
11. Sähköiskuvaaran estämiseksi, irrota akkulaturin pistoke sähköverkon pistorasiasta aina ennen kunnossapitohuollon tai puhdistamisen aloittamista. Virtakatkaisijoiden kääntäminen pois päältä ei poista tätä vaaraa.

LISÄ-TURVAOHJEITA AKKULATURIA JA
AKKUPARISTOA VARTEN

1. Älä lataa akkuparistoa jos lämpötila on alle +10°C tai yli +40°C.
2. Älä yritä lataamista säätömuuntajalla, moottorilaturilla tai tasavirtapistorasialla.
3. Älä peitä akkulaturia. Estä tuuletusaukkojen tukkeutuminen.
4. Peitä akkuliittimet aina akkukannella, kun akku ei käytetä.
5. Älä kytke akku oikosulkuun:
 - (1) Älä kosketa napoja sähköä johtavilla esineillä.
 - (2) Älä säilytä akku muiden metalliesineiden joukossa, kuten naulat, kolikot, työkalut, jne.
 - (3) Älä jätä akku veteen tai sateeseen. Oikosulku akussa voi aiheuttaa suuren virtahäviön, ylikuumentumisen, mahdollisia palovammoja sekä rikkoutumisen.
6. Älä säilytä konetta ja akkuparistoa kohteissa, joissa lämpötila voi nousta tai ylittää +50°C.
7. Älä hävitä akkuparistoa polttamalla vaikka se olisikin pahoin vaurioitunut tai täydellisesti loppuunkulunut. Akkuparisto voi räjähtää tulesa.
8. Varo pudottamasta, ravistamasta tai iskemästä akku.
9. Älä säilytä akku laatikossa tai muussa suljetussa tilassa. Akun on oltava latauksen aikana tilassa, jossa on hyvä ilmanvaihto.

YLEISIÄ TURVAOHJEITA

1. Muista, että tämä laite on aina toimintavalmiina, koska sita ei tarvitse liittää sähköpistorasiaan.
2. Käytä turvakypärää, suojalaseja ja/tai kasvosuojusta. On myös erittäin suositeltavaa käyttää pölysuojusta, korvasuojaimia ja paksuja hansikkaita.
3. Tarkista huolellisesti ennen käyttöä onko terässä halkeamia tai muita vaurioita.
4. Älä leikkaa tässä käyttöohjeessa mainittua suurempia työstökappaleita (varsinkin onntoja putkia). Terä saattaa luisua ja aiheuttaa vaurioita. (Kuva 1)

- Pidä koneesta kiinni lujasti.
- Varmista, että alapuolella ei ole ketään, kun käytät konetta korkeassa paikassa.
- Älä suuntaa konetta lähellä oleviin ihmisiin.
- Kun suoritat "sokeaa" leikkausta (et näe leikkattavan materiaalin taakse), varmista, että sähköjohdot tai vesiputkia ei ole leikkaustiellä. Jos johtoja on olemassa, tekniikon on irrotettava ne virtalähteestä ja on estettävä kuolettavan sähköiskun ja tulipalon vaara. Pidä koneesta kiinni aina VAIN eristetystä pinnasta estääksesi sähköiskun, jos satut vahingossa leikkaamaan jännitteistä johtoa. Vesiputket ja muut näkymättömät alueet on tyhjennettävä vedestä ja suojattava ennen leikkausta.
- Varo iskemästä terää käytön aikana. Isku vaurioittaa konetta ja terää. (Kuva 2)
- Varo, että leikatut osta eivät putoa lähitöllä olevien ihmisten päälle.
- Kun leikkaat metallia, varo kuumia, lentäviä sirpaleita.
- Älä kosketa terää tai työstökappaletta heti käytön jälkeen; ne saattavat olla erittäin kuumia ja saattavat aiheuttaa palovammoja.

- Jos otat terän pois työstökappaleesta käytön aikana, syntyy voimakas vastareaktio, joka aiheuttaa terän heilahtamisen ja mahdollisesti otteen hölytymisen ja koneen hallinnan menettämisen. Katkaise koneesta virta ja odota kunnes terä on pysähtynyt ennen kuin otat sen pois työstökappaleesta.

SÄILYTTÄ NÄMÄ OHJEET.

KÄYTTÖOHJEET

Akun asentaminen tai poistaminen (Kuva 3)

- Kytke kone aina POIS päältä ennen akun asentamista tai poistamista.
- Akku irrotetaan vetämällä se koneesta samalla kun puristat akun molemmilla puolilla olevia painikkeita.
- Akku kiinnitetään asettamalla akussa oleva kieleke koteloon uraan. Työnnä akku aina kokonaan sisään siten, että se napsahtaa kevyesti paikalleen. Jos et toimi näin, akku saattaa pudota vahingossa irti koneesta aiheuttaen itsesi tai jonkun sivullisen loukkaantumisen.
- Älä käytä voimaa asentaessasi akkua. Jos akku ei mene sisään herkästi, se ei ole oikeassa asennossa.

Lataaminen (Kuva 4)

Uusi akku ei ole ladattu. Se täytyy ladata ennen käyttöä. Lataa akku akkulataajaa.

Liitä akkulataaja sopivaan vaihtovirtalähteeseen. Latausvalo vilkkuu vihreänä. Työnnä akku paikalleen siten, että akun plus- ja miinusnavat osuvat samalle puolelle kuin niitä vastaavat akkulataaja merkinnät. Työnnä akku kokonaan aukoon siten, että se lepää laturin aukon pohjalla. Kun akku on työnnetty paikalleen, latausvalon väri vaihtuu vihreästä punaiseksi ja lataaminen alkaa. Latausvalo palaa tasaisesti lataamisen aikana. Kun latausvalon väri vaihtuu punaisesta vihreäksi, lataaminen on päättynyt. Katso latausaika alla olevasta taulukosta. Jos akku jätetään laturiin lataamisen päätyttyä, laturi siirtyy "kestolatausmuodolle" (jatkuvalle lataukselle). Kun olet ladannut akun, irrota laturin virtajohto virtalähteestä.

Akkutyyppi	Kapasiteetti (Ah)	Kennojen lukumäärä	Latausaika
1822 (Ni-cd)	2,0	15	Noin 45 min.
1833 (Ni-MH)	2,2	15	Noin 50 min.
1834 (Ni-MH)	2,6	15	Noin 60 min.
1835 (Ni-MH)	3,0	15	Noin 70 min.

VARO:

- Akkulataaja tarkoitettu Makita-akun lataamiseen. Älä koskaan käytä sitä muihin tarkoituksiin tai muiden valmistajien akkujen lataamiseen.
- Kun lataat uuden akun tai akun, jota ei ole käytetty pitkään aikaan, se ei ehkä lataudu täyteen. Tämä on normaalia eikä se ole osoitus viasta. Akku voidaan ladata täyteen, kun se on purettu kokonaan ja ladattu muutaman kerran.
- Jos lataat akun, jota on juuri käytetty koneessa tai pitkään auringonvalolle tai kuumuudelle alttiina olleen akun, latausvalo saattaa vilkkua punaisena. Jos näin käy, odota hetken aikaa. Lataaminen alkaa, kun akku on jäähtynyt. Akku jäähtyy nopeammin, jos irrotat sen akkulataajaa.
- Jos latausvalo vilkkuu vuorotellen vihreänä ja punaisena, on kyseessä häiriö eikä lataus ole mahdollista. Laturin tai akun liittimet ovat likaiset tai akku on loppuunkulunut tai vioittunut.

Heikkovirtalataus

Jos jätät akun laturiin estääksesi akun tyhjenemisen itsestään täyteen lataamisen jälkeen, laturi kytkeytyy heikkovirtalatausmuodolle, joka pitää akun jatkuvasti täydessä latauksessa.

Vinkkejä akun käyttöön maksimoimiseksi

- Lataa akku, ennen kuin se on kokonaan tyhjenyt. Lopeta aina laitteella työskentely ja lataa akku, jos huomaat voiman vähenevän laitteesta.
- Älä koskaan lataa täyteen ladattua akkua. Liiallinen lataaminen lyhentää akun käyttöikää.
- Lataa akku huoneenlämmössä 10°C – 40°C. Anna kuuman akun viilentyä ennen sen lataamista.
- Lataa nikkelimetalli-hybridiaakku, jos et käytä sitä yli kuuteen kuukauteen.

Sahanterän kiinnittäminen ja irrottaminen

VARO:

- Poista aina terälle, terän kiristimeen ja/tai liukukapalleeseen tarttuneet lastut ja vieraat esineet. Jos et toimi näin, terä ei ehkä kiristy riittävästi, mikä voi aiheuttaa vakavan loukkaantumisen.

Kun kiinnität sahanterää, varmista aina ennen kiinnittämistä, että terän kiristinholkki on vapautetussa asennossa. Jos terän kiristinholkki on kiinnitetyssä asennossa, kierrä holkki vapautettuun asentoon.

(Kuva 5)

Työnnä sahanterä terän kiristimeen niin syvälle kuin se menee. Terän kiristinholkki pyörii ja sahanterä on kiinnitetty. Varmista sahanterää vetämällä, että se ei irtoa paikaltaan. **(Kuva 6)**

HUOMAUTUS:

Jos et työnnä sahanterää riittävän syvälle, se voi yllättäen irrota käytön aikana. Tämä on erittäin vaarallista.

Sahanterä irrotetaan kiertämällä terän kiristinholkki kokonaan nuolen suuntaan. Sahanterä irtoaa ja terän kiristinholkki jää vapautettuun asentoon. **(Kuva 7)**

HUOMAUTUS:

Jos irrotat sahanterän kiertämättä terän kiristinholkkia kokonaan, holkki ei ehkä jää paikalleen. Jos näin käy, kierrä terän kiristinholkki kokonaan ja kiinnittäaksesi holkin vapautettuun asentoon.

Kengän säätö (Kuva 8)

Kun terä menettää leikkaustehonsa leikkausreunan jostakin kohdasta, asenna kenkä toiseen asentoon käyttäaksesi hyväksesi leikkausreunan käyttämätöntä, terävää osaa. Tämä pidentää terän käyttöikää. Kun haluat asentaa kengän toiseen asentoon, löysennä vipu ja siirrä kenkää eteen tai taakse haluamaasi asentoon. Kiinnitä kenkä sitten tiukasti kiristämällä vipu.

Kytkimen toiminta (Kuva 9)

VARO:

Ennen kuin kiinnität akun koneeseen, varmista aina, että liipaisinkytkin toimii oikein ja palaa vapautettaessa "OFF"-asentoon.

Liipaisimen tahattoman painamisen estämiseksi kone on varustettu lukituksen vapautuspainikkeella. Kone käynnistetään painamalla lukituksen vapautuspainike pohjaan ja painamalla liipaisinta. Lukituksen vapautuspainike voidaan painaa joko koneen vasemmalle tai oikealle puolelle. Koneen käyntinopeus kasvaa painettaessa liipaisinta voimakkaammin. Kone pysäytetään vapauttamalla liipaisin.

Käyttö (Kuva 10)

Paina kenkää lujasti työstökappaletta vasten. Älä anna koneen hyppiä. Aseta terä kevyeen kosketukseen työstökappaleen kanssa. Tee ensin ohjausvako hitaalla nopeudella. Jatka leikkausta sitten suuremmalla nopeudella.

VARO:

- Käytä aina metallia leikatessasi sopivaa jäähdtyintä (leikkausöljyä). Jos näin ei tehdä, terä kuluu ennen aikojaan.
- Kun leikkaat metallia, suojaa aina kätesi lentäviltä sirpaleilta käyttämällä käsineitä.
- Paina kenkää aina lujasti työstökappaletta vasten leikkauksen aikana. Jos kenkää pidetään poissa työstökappaleesta käytön aikana, syntyy voimakasta värinää/ tai kiertoa, mikä aiheuttaa terän vaarallisen nykimisen.

HUOLTO

VARO:

Varmistaudu aina ennen kaikkia koneelle suoritettavia töitä, että kone on pysäytetty ja akku irrotettu.

Hiilien vaihto (Kuvat 11 ja 12)

Hiilet on vaihdettava kun ne ovat kuluneet kulumisrajaan. Hiilet on vaihdettava aina parittain.

Laitteen käyttövarmuuden ja turvallisuuden vuoksi korjaukset ja muut huolto- ja säätötöt saa suorittaa ainoastaan Makitan hyväksymä huoltopiste.

LISÄVARUSTEET

VARO:

- Näitä lisävarusteita ja -laitteita suositellaan käytettäväksi tässä ohjekirjassa mainitun Makitan koneen kanssa. Minkä tahansa muun lisävarusteen tai -laitteen käyttäminen voi aiheuttaa loukkaantumisvaaran. Käytä lisävarusteita ja -laitteita vain niiden käyttötarkoituksen mukaisesti.

Jos tarvitset apua tai yksityiskohtaisempia tietoja seuraavista lisävarusteista, ota yhteys paikalliseen Makitan huoltopisteeseen.

- Puukkosahan terä
- Muovinen kantolaatikko
- Eri tyyppisiä Makitan alkuperäisiä akkuja ja lataajia
- Akkusuojaus

Περιγραφή γενικής άποψης

1	Κασέτα μπαταρίας	7	Μανίκι σφιγκτήρα λάμας	13	Πιέστε
2	Κομβίο	8	Λάμα	14	Οριακό σημάδι
3	Φωτάκι φόρτισης	9	Μοχλός	15	Κατσαβίδι
4	Φορτιστής μπαταρίας	10	Πέλαμα	16	Καπάκι θήκης καρβονάκι
5	Αποδεσμευμένη θέση	11	Σκανδάλη διακόπτης		
6	Σταθερή θέση	12	Κουμπί απασφάλισης		

ΤΕΧΝΙΚΑ ΧΑΡΑΚΤΗΡΙΣΤΙΚΑ

Μοντέλο	JR180D
Μήκος διαδρομής	23 χιλ
Διαδρομές ανά λεπτό	0 – 2.700
Ικανότητες κοπής:	
Σωλήνας	90 χιλ
Ξύλο	90 χιλ
Ολικό μήκος	469 χιλ
Βάρος καθαρό (Με κασέτα μπαταρίας)	3,5 Χγρ
Καθορισμένο βολτάζ	Συνεχές ρεύμα 18s

- Λόγω του συνεχιζόμενου προγράμματος έρευνας και ανάπτυξης, οι παρούσες προδιαγραφές υπόκεινται σε αλλαγή χωρίς προειδοποίηση.
- Παρατήρηση: Τα τεχνικά χαρακτηριστικά μπορεί να διαφέρουν από χώρα σε χώρα.

Υποδείξεις ασφάλειας

Για την προσωπική σας ασφάλεια, ανατρέξτε στις εσώκλειστες Οδηγίες ασφάλειας.

ΣΗΜΑΝΤΙΚΕΣ ΟΔΗΓΙΕΣ ΑΣΦΑΛΕΙΑΣ ΓΙΑ ΣΥΣΚΕΥΗ ΦΟΡΤΙΣΗΣ ΚΑΙ ΜΠΑΤΑΡΙΑ

1. **ΦΥΛΑΞΤΕ ΑΥΤΕΣ ΤΙΣ ΟΔΗΓΙΕΣ** — Αυτό το εγχειρίδιο περιέχει σημαντικές οδηγίες ασφαλείας και χρήσης της συσκευής φόρτισης.
2. Πριν χρησιμοποιήσετε τη συσκευή φόρτισης, διαβάστε όλες τις οδηγίες και προειδοποιητικά σημεία (1) στην συσκευή φόρτισης, (2) στη μπαταρία, και (3) στη συσκευή που χρησιμοποιεί την μπαταρία.
3. **ΠΡΟΣΟΧΗ** — Για να μειωθεί ο κίνδυνος τραυματισμού, φορτίζετε μόνο μπαταρίες ΜΑΚΙΤΑ επαναφορτιζόμενου τύπου. Μπαταρίες άλλου τύπου μπορεί να εκραγούν, πληγώνοντας σας και προκαλώντας ζημιές.
4. Μην εκθέσετε τη συσκευή φόρτισης σε βροχή ή χιόνι.
5. Χρήση εξαρτήματος που δεν συστήνεται ή δεν πωλείται από τον κατασκευαστή της συσκευής φόρτισης μπορεί να προκαλέσει φωτιά, ηλεκτρικό σοκ, ή να σας τραυματίσει.
6. Για να μειωθεί ο κίνδυνος ζημιάς στην πρίζα και στο καλώδιο, όταν αποσυνδέετε τη συσκευή φόρτισης από την παροχή ρεύματος, πιάνετε και τραβάτε από την πρίζα και όχι από το καλώδιο.
7. Βεβαιωθείτε ότι το καλώδιο βρίσκεται σε θέση που ούτε θα το πατήσουν ούτε θα σκοντάψουν πάνω του ούτε μπορεί να πάθει ζημιά με οποιοδήποτε τρόπο.
8. Μην χρησιμοποιείτε τη συσκευή φόρτισης αν το καλώδιο ή η πρίζα της έχουν πάθει ζημιά — αντικαταστήστε τα αμέσως.

9. Μην χρησιμοποιείτε την συσκευή σε περίπτωση που έχει υποστεί δυνατό κτύπημα, έχει πέσει κάτω, ή έχει πάθει οποιαδήποτε ζημιά. Αναθέστε την επισκευή σε εξουσιοδοτημένο τεχνίτη.
10. Μην αποσυρμολογείτε τη συσκευή φόρτισης ή τη μπαταρία. Πάρτε την σε εξουσιοδοτημένο τεχνίτη όταν χρειάζεται επισκευή ή σέρβις. Λανθασμένη επανασυρμολόγηση μπορεί να οδηγήσει σε κίνδυνο ηλεκτρικού σοκ ή φωτιάς.
11. Για να μειωθεί ο κίνδυνος ηλεκτρικού σοκ, αποσυνδέστε τη συσκευή φόρτισης από την παροχή ρεύματος πριν κάνετε οποιαδήποτε συντήρηση ή καθαρισμό της. Μόνο με το να σβήσετε τη συσκευή αυτός ο κίνδυνος δε μειώνεται.

ΕΠΙΠΡΟΣΘΕΤΟΙ ΚΑΝΟΝΕΣ ΑΣΦΑΛΕΙΑΣ ΓΙΑ ΣΥΣΚΕΥΗ ΦΟΡΤΙΣΗΣ ΚΑΙ ΜΠΑΤΑΡΙΑ

1. Μην φορτίζετε τη μπαταρία όταν η θερμοκρασία είναι ΚΑΤΩ από 10°C ή ΠΑΝΩ από 40°C.
2. Μην χρησιμοποιείτε ποτέ μετασχηματιστή ανύψωσης τάσης, γεννήτρια, ή υποδοχή συνεχούς ρεύματος.
3. Μην αφήσετε οτιδήποτε να καλύψει ή να μπλοκάρει της οπές εξαερισμού του φορτιστή.
4. Πάντοτε να έχετε τους πόλους της μπαταρίας καλυμμένους με το κάλυμμα της όταν δεν την χρησιμοποιείτε.
5. Μην βραχυκυκλώσετε την κασέτα μπαταρίας:
 - (1) Μην αγγίζετε τους πόλους με κανένα αγώγιμο υλικό.
 - (2) Αποφύγετε την αποθήκευση της κασέτας μπαταρίας σε δοχείο με άλλα μεταλλικά αντικείμενα όπως καρφιά, νομίσματα, κλπ.
 - (3) Μην εκθέτετε την κασέτα μπαταρίας σε νερό ή σε βροχή.
 Ένα βραχυκύκλωμα μπαταρίας μπορεί να προκαλέσει μεγάλη ροή ρεύματος, υπεθέρμανση, πιθανά εγκαύματα και ακόμη μηχανική βλάβη.
6. Μην φυλάσσετε τη μηχανή και τη μπαταρία σε μέρη που η θερμοκρασία μπορεί να φθάσει ή να ξεπεράσει τους 50°C.
7. Μην κάψετε την μπαταρία ακόμα και αν έχει πάθει σοβαρές ζημιές ή έχει εντελώς φθαρεί. Η μπαταρία μπορεί να εκραγεί στην φωτιά.
8. Προσέχετε να μη ρίξετε κάτω, ταρακουνήσετε ή χτυπήσετε τη μπαταρία.
9. Μην φορτίσετε τη μπαταρία μέσα σε ένα κουτί ή δοχείο οποιουδήποτε είδους. Η μπαταρία πρέπει να τοποθετηθεί σε ένα καλά εξαεριζόμενο χώρο κατά τη διάρκεια της φόρτισης.

ΕΠΙΠΡΟΣΘΕΤΕΣ ΟΔΗΓΙΕΣ ΑΣΦΑΛΕΙΑΣ ΓΙΑ ΤΟ ΜΗΧΑΝΗΜΑ

1. Έχετε υπόψη σας ότι το μηχάνημα αυτό βρίσκεται πάντα σε κατάσταση λειτουργίας γιατί δεν χρειάζεται να συνδεθεί στο ρεύμα.
2. Φοράτε σκληρό κάλυμμα κεφαλής (κράνος ασφάλειας), διόπτρες ασφάλειας και/ή προστατευτικό προσώπου. Συνιστάται ιδιαίτερα επίσης να φοράτε μάσκα σκόνης, ωτασπίδες και γάντια με πυκνή επένδυση.
3. Ελέγξτε τη λάμα προσεκτικά για ρωγμές ή βλάβες πριν από τη λειτουργία. Αντικαταστήστε μια λάμα με ρωγμές ή ζημιές αμέσως.
4. Μη προσπαθείτε να κόψετε αντικείμενα εργασίας μεγαλύτερα από τα υποδεικνυόμενα στο εγχειρίδιο αυτό. (ειδικά κοίλο σωλήνα). Η λάμα μπορεί να εκτοξευθεί και να προκαλέσει τραυματισμό. (Εικ. 1)
5. Κρατάτε το μηχάνημα σταθερά.
6. Βεβαιώστε ότι κανείς δεν είναι από κάτω όταν χρησιμοποιείτε το μηχάνημα σε υψηλά μέρη.
7. Μη διευθύνετε το μηχάνημα προς άλλα άτομα κοντά σας.
8. Όταν κάνετε ένα “τυφλό” κόψιμο (δε μπορείτε να δείτε πίσω από το αντικείμενο που κόβετε) βεβαιώστε ότι κρυμμένα ηλεκτροφόρα καλώδια ή σωλήνες νερού δεν βρίσκονται στη διαδρομή κοπής. Εάν υπάρχουν ηλεκτροφόρα καλώδια πρέπει να αποσυνδεθούν στη πηγή ρεύματος από έναν ειδικό τεχνίτη ή να αποφευχθούν για να προληφθεί η πιθανότητα θανατηφόρας ηλεκτροπληξίας ή φωτιάς. Πάντοτε κρατάτε το μηχάνημα ΜΟΝΟ από τις μονωμένες επιφάνειες χειρολαβών για να αποφύγετε ηλεκτροπληξία αν τρυpanίσετε σε ηλεκτροφόρα σύρματα. Σωλήνες νερού σε “τυφλές” περιοχές πρέπει να αποστραγγίζονται και απομονώνονται με καπάκια πριν κοπούν.
9. Προσέχετε να μη κτυπήσετε την άκρη της λάμας σε κάποιο αντικείμενο κατά την κοπή. Ζημιά στο μηχάνημα η επικίνδυνη θραύση της λάμας μπορεί να προκληθεί. (Εικ. 2)

Φόρτιση (Εικ. 4)

Η καινούργια μπαταρία σας δεν είναι φορτισμένη. Θα χρειαστεί να την φορτίσετε πριν τη χρησιμοποιήσετε. Χρησιμοποιήστε το φορτιστής μπαταρίας για να φορτίσετε τη κασέτα μπαταρίας.

Βάλτε το φορτιστής μπαταρίας σας στην κατάλληλη παροχή εναλλασσόμενου ρεύματος. Το φωτάκι φόρτισης θα αναβοσβήνει σε πράσινο χρώμα. Βάλτε τη κασέτα μπαταρίας έτσι ώστε ο θετικός και αρνητικός πόλος στη κασέτα μπαταρίας να βρίσκονται στις ίδιες πλευρές όπως τα αντίστοιχα σημάδια στον φορτιστής μπαταρίας. Βάλτε την κασέτα πλήρως μέσα στην υποδοχή έτσι ώστε να καθίσει στο πάτωμα της υποδοχής του φορτιστή. Όταν η κασέτα μπαταρίας εισαχθεί το φωτάκι φόρτισης θα αλλάξει από πράσινο σε κόκκινο και η φόρτιση θα αρχίσει. Το φωτάκι φόρτισης θα παραμείνει σταθερά αναμμένο κατά τη διάρκεια της φόρτισης. Όταν το χρώμα στο φωτάκι φόρτισης αλλάξει από κόκκινο σε πράσινο, ο κύκλος φόρτισης έχει συμπληρωθεί και ο φορτιστής θα αλλάξει στη διαμόρφωση της “στιγμιαίας φόρτισης” (φόρτιση συντήρησης). Μετά τη φόρτιση αποσυνδέστε το φορτιστή από τη παροχή ρεύματος.

Ανατρέξτε στον παρακάτω πίνακα για το χρόνο φόρτισης.

Τύπος μπαταρίας	Χωρητικότητα	Αριθμός κυψελών	Χρόνος φόρτισης
1822 (Ni-cd)	2,0	15	Περίπου 45 λ.
1833 (Ni-MH)	2,2	15	Περίπου 50 λ.
1834 (Ni-MH)	2,6	15	Περίπου 60 λ.
1835 (Ni-MH)	3,0	15	Περίπου 70 λ.

10. Προσέχετε τα κομμένα τμήματα του υπό κοπή αντικείμενου. Μπορεί να πέσουν και να τραυματίσουν εσάς ή κάποιον άλλον κοντά σας.
11. Όταν κόβετε μέταλλα, προσέχετε για καυτά ιπτάμενα ρινίσματα.
12. Μην αγγίζετε την αιχμή ή το αντικείμενο εργασίας αμέσως μετά τη λειτουργία, γιατί μπορεί να είναι εξαιρετικά θερμά και να σας προκαλέσουν εγκαύματα.
13. Εάν τραβήξετε τη λάμα από το αντικείμενο εργασίας κατά τη λειτουργία, ισχυρή αντίδραση θα παραχθεί κάνοντας τη λάμα να εκτοξευθεί ή κάνοντας σας να χάσετε τη λαβή σας και κατά συνέπεια τον έλεγχο του μηχανήματος. Πάντοτε σβήνετε το μηχάνημα και περιμένετε μέχρι να σταματήσει τελείως η λάμα πριν τη τραβήξετε από το αντικείμενο εργασίας.

ΦΥΛΑΞΕΤΕ ΑΥΤΕΣ ΤΙΣ ΟΔΗΓΙΕΣ.

ΟΔΗΓΙΕΣ ΧΡΗΣΗΣ

Τοποθέτηση ή αφαίρεση της κασέτας μπαταρίας (Εικ. 3)

- Πάντοτε σβήνετε το μηχάνημα πριν τοποθετήσετε ή αφαιρέσετε την κασέτα μπαταρίας.
- Για να αφαιρέσετε τη κασέτα μπαταρίας, τραβήχτε τη έξω από το μηχάνημα ενώ πιέζετε τα πλήκτρα και στις δύο πλευρές της κασέτας.
- Για να τοποθετήσετε τη κασέτα μπαταρίας, ευθυγραμμίστε τη γλώσσα στη κασέτα μπαταρίας με την εγκοπή στο περίβλημα και σύρετε τη στη θέση της. Πάντα βάζετε τη βαθείά μέσα μέχρι να κλειδώσει στη θέση της με ένα μικρό κλικ. Διαφορετικά, μπορεί να πέσει έξω από το μηχάνημα, και να τραυματίσει εσάς ή κάποιον άλλο.
- Μη βάζετε δύναμη όταν τοποθετείτε την κασέτα μπαταρίας. Εάν η κασέτα δεν εισέρχεται με ευκολία, δεν είναι τοποθετημένη σωστά.

ΠΡΟΣΟΧΗ:

- Το μοντέλο φορτιστή είναι για φόρτιση κασέτας μπαταρίας Μάκιτα. Ποτέ μη το χρησιμοποιήσετε για άλλους σκοπούς ή για φόρτιση μπαταριών άλλων κατασκευαστών.
- Όταν φορτίζετε μία καινούργια κασέτα μπαταρίας, ή μία κασέτα μπαταρίας που δεν έχει χρησιμοποιηθεί για πολύ καιρό, μπορεί να μη δέχεται πλήρη φόρτιση. Αυτή είναι μία κανονική κατάσταση και δεν σημαίνει ότι υπάρχει πρόβλημα. Μπορείτε να επαναφορτίσετε τη κασέτα μπαταρίας πλήρως αφού την εκφορτίσετε τελείως και την επαναφορτίσετε δύο φορές.
- Εάν φορτίζετε μία κασέτα μπαταρίας από ένα μηχάνημα που μόλις χρησιμοποιήθηκε ή μία κασέτα μπαταρίας που έχει εκτεθεί στο άμεσο ηλιακό φως ή σε ζέση για μεγάλο χρονικό διάστημα, το φωτάκι φόρτισης μπορεί να αναβοσβήνει σε κόκκινο χρώμα. Εάν αυτό συμβεί, περιμένετε για λίγο. Η φόρτιση θα αρχίσει αφού η κασέτα μπαταρίας κρυώσει. Η κασέτα μπαταρίας θα κρυώσει γρηγορότερα αν αφουρέδε τη την κασέτα μπαταρίας από τον φορτιστή μπαταρίας.
- Εάν το φωτάκι φόρτισης αναβοσβήνει εναλλακτικά με πράσινο και κόκκινο χρώμα, ένα πρόβλημα υπάρχει και η φόρτιση δεν είναι δυνατή. Οι πόλοι του φορτιστή ή της κασέτας μπαταρίας είναι βουλωμένοι από τη σκόνη ή κασέτα μπαταρίας είναι φθαρμένη ή έχει βλάβη.

Στιγμιαία φόρτιση (Φόρτιση συντήρησης)

Εάν έχετε αφήσει την κασέτα μπαταρίας στον φορτιστή για να προλάβετε αυθόρμητη αποφόρτιση μετά από πλήρη φόρτιση, ο φορτιστής θα αλλάξει στη διαμόρφωση της “στιγμιαίας φόρτισης” (φόρτιση συντήρησης) και θα κρατήσει την κασέτα μπαταρίας φρέσκια και πλήρως φορτισμένη.

Συμβουλές για την διατήρηση της μέγιστης ζωής της μπαταρίας

1. Αλλάξτε την κασέτα μπαταρίας πριν αποφορτιστεί τελείως.
Πάντα σταματάτε την λειτουργία του μηχανήματος και φορτίστε την κασέτα μπαταρίας όταν παρατηρήσετε μειωμένη δύναμη του μηχανήματος.
2. Ποτέ μην επαναφορτίζετε μια πλήρως φορτισμένη κασέτα μπαταρίας.
Η υπερφόρτιση μικραίνει την ωφέλιμη ζωή της μπαταρίας.
3. Φορτίστε την κασέτα μπαταρίας σε θερμοκρασία δωματίου στους 10°C – 40°C.
Αφήστε μια ζεστή κασέτα μπαταρίας να κρυώσει προτού την φορτίσετε.
4. Φορτίστε την κασέτα μπαταρίας Νικελίου Μεταλλικού Υδριδίου όταν δεν την έχετε χρησιμοποιήσει για έξι μήνες.

Τοποθέτηση ή αφαίρεση της προιονόλαμας

ΠΡΟΣΟΧΗ:

- Πάντοτε καθαρίζετε όλα τα τεμαχίδια ή ξένα σώματα που υπάρχουν στη λάμα, στο σφικκτήρα λάμας και/ή στον σύρτη. Αμέλεια να το πράξετε μπορεί να προκαλέσει ανεπαρκές σφίξιμο της λάμας με αποτέλεσμα σοβαρό τραυματισμό.

Για να τοποθετήσετε την προιονόλαμα, πάντοτε βεβαιώνετε ότι το μανίκι του σφικκτήρα της λάμας είναι στην αποδεσμευμένη θέση πριν τοποθετήσετε την προιονόλαμα. Εάν το μανίκι του σφικκτήρα της λάμας είναι στη σταθερή θέση, περιστρέψτε το μανίκι στην αποδεσμευμένη θέση **(Εικ. 5)**

Βάλτε την προιονόλαμα μέσα στον σφικκτήρα λάμας όσο μπορεί να πάει. Το μανίκι του σφικκτήρα της λάμας περιστρέφεται και η προιονόλαμα σταθεροποιείται. Βεβαιώνετε ότι η προιονόλαμα δεν μπορεί να εξαχθεί ακόμη και αν προσπαθείτε να την τραβήξετε έξω. **(Εικ. 6)**

ΣΗΜΕΙΩΣΗ:

Εάν δεν βάλετε την προιονόλαμα αρκετά βαθιά μπορεί να εκτιναχθεί ξαφνικά κατά την διάρκεια της λειτουργίας. Κάτι τέτοιο είναι εξαιρετικά επικίνδυνο.

Για να αφαιρέσετε την προιονόλαμα, περιστρέψτε το μανίκι του σφικκτήρα της λάμας πλήρως προς την διεύθυνση του βέλους. Η προιονόλαμα αφαιρείται και το μανίκι του σφικκτήρα της λάμας σταθεροποιείται στην αποδεσμευμένη θέση. **(Εικ. 7)**

ΣΗΜΕΙΩΣΗ:

Εάν αφαιρέσετε την προιονόλαμα χωρίς να περιστρέψετε πλήρως το μανίκι του σφικκτήρα της λάμας, το μανίκι δεν θα σταθεροποιηθεί. Στην περίπτωση αυτή, περιστρέψτε πλήρως το μανίκι του σφικκτήρα της λάμας και κατόπιν σταθεροποιήστε το μανίκι στην αποδεσμευμένη θέση.

Ρύθμιση του πέλματος (Εικ. 8)

Όταν η λάμα χάσει την επάρκεια κοψίματος, σε κάποια σημεία της κόψης της, επανατοποθετείτε το πέλμα για να χρησιμοποιήσετε ένα κοφτερό αχρησιμοποίητο κομμάτι μέρος της κόψης. Αυτό θα βοηθήσει να επιμηκυνθεί η διάρκεια ζωής της λεπίδας. Για επανατοποθέτηση του πέλματος, χαλαρώστε το μοχλό και σύρτε το πέλμα προς τα εμπρός ή προς τα πίσω στην επιθυμητή θέση. Μετά σφίξτε το μοχλό για να σιγουρέψετε σταθερά το πέλμα.

Διαδικασία ανάμματος (Εικ. 9)

ΠΡΟΣΟΧΗ:

Προτού βάλετε την κασέτα μπαταρίας στο μηχάνημα, πάντα να ελέγχετε ότι η σκανδάλη διακόπτης λειτουργεί κανονικά και επιστρέφει στη θέση “OFF” όταν απελευθερώνεται.

Για να αποφύγετε κατά λάθος τράβηγμα της σκανδάλης διακόπτης, ένα κουμπί απασφάλισης παρέχεται. Για να ξεκινήσει το μηχάνημα, πιάστε το κουμπί απασφάλισης και τραβήξτε τη σκανδάλη. Η ταχύτητα του μηχανήματος αυξάνεται ανάλογα με την πίεση που εφαρμόζεται στην σκανδάλη. Απελευθερώστε τη σκανδάλη διακόπτη για να σταματήσετε.

Λειτουργία (Εικ. 10)

Πρώτα, πιέστε το πέλμα σταθερά επάνω στο αντικείμενο εργασίας. Μην αφήσετε το μηχάνημα να αναπηδήσει. Φέρτε τη λάμα σε ελαφρά επαφή με το αντικείμενο εργασίας. Πρώτα, κάνετε μια καθοδηγητική χαραγή χρησιμοποιώντας μικρότερη ταχύτητα. Μετά χρησιμοποιήστε μεγαλύτερη ταχύτητα για να συνεχίσετε τη κοπή.

ΠΡΟΣΟΧΗ:

- Πάντοτε χρησιμοποιείτε ένα κατάλληλο ψυκτικό (έλαιο κοπής) όταν κόβετε μέταλλα. Εάν δε το κάνετε αυτό θα προκληθεί πρόωρη φθορά στη λάμα.
- Πάντοτε φοράτε γάντια για να προστατεύετε τα χέρια σας από καυτά ιπτάμενα ρινίσματα όταν κόβετε μέταλλα.
- Πάντοτε πιέζετε το πέλμα σταθερά στο αντικείμενο εργασίας κατά τη λειτουργία. Εάν το πέλμα δεν βρίσκεται σε επαφή με το αντικείμενο εργασίας κατά τη διάρκεια της λειτουργία, θα προκληθούν δυνατές δονήσεις και/ή στρίψιμο με αποτέλεσμα την επικίνδυνη εκτόξευση της λεπίδας.

ΣΥΝΤΗΡΗΣΗ

ΠΡΟΣΟΧΗ:

Πριν την εκτέλεση εργασιών με τη συσκευή διαβεβαιώνετε πάντοτε, για το ότι η συσκευή σβήστηκε με απομακρυσμένο το συσσωρευτή.

Αντικατάσταση καρβουνάκια (Εικ. 11 και 12)

Οι ψήκτρες κάρβουνου πρέπει να αντικαθίστανται, όταν έχουν φθαρεί μέχρι το σημείο μαρκαρίσματος. Οι δύο ταυτόσημες ψήκτρες κάρβουνου πρέπει να αντικαθίστανται ταυτόχρονα.

Για τη διασφάλιση της σιγουριάς και αξιοπιστίας των προϊόντων μας πρέπει οι επισκευές, εργασίες συντήρησης ή ρυθμίσεις να εκτελούνται από εξουσιοδοτημένα εργαστήρια σέρβις πελατών Μάκιτα.

ΕΞΑΡΤΗΜΑΤΑ

ΠΡΟΣΟΧΗ:

- Αυτά τα εξαρτήματα ή προσαρτήματα συνιστώνται για χρήση με το εργαλείο Μάκιτα που περιγράφηκε στις οδηγίες αυτές. Η χρήση οτιδήποτε άλλων εξαρτημάτων ή προσαρτημάτων μπορεί να προκαλέσει κίνδυνο τραυματισμού σε άτομα. Χρησιμοποιείτε τα εξαρτήματα ή προσαρτήματα μόνο για την χρήση που προορίζονται.

Εάν χρειάζεστε οποιαδήποτε βοήθεια για περισσότερες πληροφορίες σε σχέση με αυτά τα εξαρτήματα, αποτανθείτε στο τοπικό σας κέντρο εξυπηρέτησης Μάκιτα.

- Λάμα παλινδρομικού πριονιού
- Πλαστική θήκη μεταφοράς
- Διάφοροι τύποι αυθεντικών μπαταριών και φορτιστών Μάκιτα.
- Κάλυμμα μπαταρίας

ENGLISH**EC-DECLARATION OF CONFORMITY**

We declare under our sole responsibility that this product is in compliance with the following standards or standardized documents, EN50260, EN55014 in accordance with Council Directives, 89/336/EEC and 98/37/EC.

FRANÇAISE**DÉCLARATION DE CONFORMITÉ CE**

Nous déclarons sous notre entière responsabilité que ce produit est conforme aux normes ou aux documents standardisés suivants, EN50260, EN55014 conformément aux Directives du Conseil, 89/336/CEE et 98/37/EG.

DEUTSCH**CE-KONFORMITÄTSERKLÄRUNG**

Hiermit erklärt wir unter unserer alleinigen Verantwortung, daß dieses Produkt gemäß den Ratsdirektiven 89/336/EWG und 98/37/EG mit den folgenden Normen bzw. Normendokumenten übereinstimmen:

EN50260, EN55014.

ITALIANO**DICHIARAZIONE DI CONFORMITÀ
CON LE NORME DELLA COMUNITÀ EUROPEA**

Dichiariamo sotto la nostra sola responsabilità che questo prodotto è conforme agli standard o documenti standardizzati seguenti: EN50260, EN55014 secondo le direttive del Consiglio 89/336/CEE e 98/37/CE.

NEDERLANDS**EG-VERKLARING VAN CONFORMITEIT**

Wij verklaren hierbij uitsluitend op eigen verantwoordelijkheid dat dit produkt voldoet aan de volgende normen of genormaliseerde documenten,

EN50260, EN55014 in overeenstemming met de richtlijnen van de Raad 89/336/EEC en 98/37/EC.

ESPAÑOL**DECLARACIÓN DE CONFORMIDAD DE LA CE**

Declaramos bajo nuestra sola responsabilidad que este producto cumple con las siguientes normas o documentos normalizados, EN50260, EN55014 de acuerdo con las directivas comunitarias, 89/336/EEC y 98/37/CE.

PORTUGUÊS**DECLARAÇÃO DE CONFORMIDADE DA CE**

Declaramos sob inteira responsabilidade que este produto obedece às seguintes normas ou documentos normalizados, EN50260, EN55014 de acordo com as directivas 89/336/CEE e 98/37/CE do Conselho.

DANSK**EU-DEKLARATION OM KONFORMITET**

Vi erklærer hermed på eget ansvar, at dette produkt er i overensstemmelse med de følgende standarder eller normsættende dokumenter, EN50260, EN55014 i overensstemmelse med Rådets Direktiver 89/336/EEC og 98/37/EC.

SVENSKA**EG-DEKLARATION OM ÖVERENSSTÄMMELSE**

Under eget ansvar deklarerar vi härmed att denna produkt överensstämmer med följande standardiseringar och standardiserade dokument, EN50260, EN55014 i enlighet med EG-direktiven 89/336/EEC och 98/37/EC.

NORSK**EU's SAMSVARS-ERKLÆRING**

Vi erklærer på eget ansvar at dette produktet er i overensstemmelse med følgende standard eller standardiserte dokumenter: EN50260, EN55014, i samsvar med Råds-direktivene, 89/336/EEC og 98/37/EC.

SUOMI**VAKUUTUS EC-VASTAAVUUDESTA**

Yksinomaisesti vastuullisina ilmoitamme, että tämä tuote on seuraavien standardien ja standardoitujen dokumenttien mukainen, EN50260, EN55014 neuvoston direktiivien 89/336/EEC ja 98/37/EC mukaisesti.

ΕΛΛΗΝΙΚΑ**ΔΗΛΩΣΗ ΣΥΜΜΟΡΦΩΣΗΣ ΕΚ**

Δηλώνουμε υπό την μοναδική μας ευθύνη ότι αυτός ο προϊόν βρίσκεται σε συμφωνία με τα ακόλουθα πρότυπα ή τυποποιημένα έγγραφα, EN50260, EN55014 σύμφωνα με τις Οδηγίες του Συμβουλίου, 89/336/EEC και 98/37/ΚΕ.

Yasuhiko Kanzaki CE 2003



Director	Director
Directeur	Direktør
Direktor	Direktör
Amministratore	Direktor
Directeur	Johdaja
Director	Διευθυντής

MAKITA INTERNATIONAL EUROPE LTD.

Michigan Drive, Tongwell, Milton Keynes,
Bucks MK15 8JD, ENGLAND

ENGLISH**EC-DECLARATION OF CONFORMITY**

We declare under our sole responsibility that this product is in compliance with the following standards or standardized documents, EN60335, EN55014, EN61000 in accordance with Council Directives, 73/23/EEC and 89/336/EC.

FRANÇAISE**DÉCLARATION DE CONFORMITÉ CE**

Nous déclarons sous notre entière responsabilité que ce produit est conforme aux normes ou aux documents standardisés suivants,

EN60335, EN55014, EN61000 conformément aux Directives du Conseil, 73/23/CEE et 89/336/EG.

DEUTSCH**CE-KONFORMITÄTSERKLÄRUNG**

Hiermit erklärt wir unter unserer alleinigen Verantwortung, daß dieses Produkt gemäß den Ratsdirektiven 73/23/EWG und 89/336/EG mit den folgenden Normen bzw. Normendokumenten übereinstimmen:

EN60335, EN55014, EN61000.

ITALIANO**DICHIARAZIONE DI CONFORMITÀ CON LE NORME DELLA COMUNITÀ EUROPEA**

Dichiariamo sotto la nostra sola responsabilità che questo prodotto è conforme agli standard o documenti standardizzati seguenti:

EN60335, EN55014, EN61000

secondo le direttive del Consiglio 73/23/CEE e 89/336/CE.

NEDERLANDS**EG-VERKLARING VAN CONFORMITEIT**

Wij verklaren hierbij uitsluitend op eigen verantwoordelijkheid dat dit produkt voldoet aan de volgende normen of genormaliseerde documenten,

EN60335, EN55014, EN61000

in overeenstemming met de richtlijnen van de Raad 73/23/EEC en 89/336/EC.

ESPAÑOL**DECLARACIÓN DE CONFORMIDAD DE LA CE**

Declaramos bajo nuestra sola responsabilidad que este producto cumple con las siguientes normas o documentos normalizados, EN60335, EN55014, EN61000

de acuerdo con las directivas comunitarias, 73/23/EEC y 89/336/CE.

PORTUGUÊS**DECLARAÇÃO DE CONFORMIDADE DA CE**

Declaramos sob inteira responsabilidade que este produto obedece às seguintes normas ou documentos normalizados, EN60335, EN55014, EN61000 de acordo com as directivas 73/23/CEE e 89/336/CE do Conselho.

DANSK**EU-DEKLARATION OM KONFORMITET**

Vi erklærer hermed på eget ansvar, at dette produkt er i overensstemmelse med de følgende standarder eller normsættende dokumenter,

EN60335, EN55014, EN61000 i overensstemmelse med Rådets Direktiver 73/23/EEC og 89/336/EC.

SVENSKA**EG-DEKLARATION OM ÖVERENSSTÄMMELSE**

Under eget ansvar deklarerar vi härmed att denna produkt överensstämmer med följande standardiseringar och standardiserade dokument,

EN60335, EN55014, EN61000 i enlighet med EG-direktiven 73/23/EEC och 89/336/EC.

NORSK**EU's SAMSVARS-ERKLÆRING**

Vi erklærer på eget ansvar at dette produktet er i overensstemmelse med følgende standard eller standardiserte dokumenter:

EN60335, EN55014, EN61000,

i samsvar med Råds-direktivene, 73/23/EEC og 89/336/EC.

SUOMI**VAKUUTUS EC-VASTAAVUDESTA**

Yksinomaisesti vastuullisina ilmoitamme, että tämä tuote on seuraavien standardien ja standardoitujen dokumenttien mukainen,

EN60335, EN55014, EN61000 neuvoston direktiivien 73/23/EEC ja 89/336/EC mukaisesti.

ΕΛΛΗΝΙΚΑ**ΔΗΛΩΣΗ ΣΥΜΜΟΡΦΩΣΗΣ ΕΚ**

Δηλώνουμε υπό την μοναδική μας ευθύνη ότι αυτός ο προϊόν βρίσκεται σε συμφωνία με τα ακόλουθα πρότυπα ή τυποποιημένα έγγραφα,

EN60335, EN55014, EN61000 σύμφωνα με τις Οδηγίες του Συμβουλίου, 73/23/EEC και 89/336/ΚΕ.

Yasuhiko Kanzaki CE 2003



Director	Director
Directeur	Direktør
Direktor	Direktör
Amministratore	Direktor
Directeur	Johdaja
Director	Διευθυντής

MAKITA INTERNATIONAL EUROPE LTD.

Michigan Drive, Tongwell, Milton Keynes,
Bucks MK15 8JD, ENGLAND

ENGLISH**Noise and Vibration**

The typical A-weighted sound pressure level is 81 dB (A).
The noise level under working may exceed 85 dB (A).

– Wear ear protection. –

The typical weighted root mean square acceleration value is 14 m/s².

FRANÇAISE**Bruit et vibrations**

Le niveau de pression sonore pondéré A type est de 81 dB (A).

Le niveau de bruit en fonctionnement peut dépasser 85 dB (A).

– Porter des protecteurs anti-bruit. –

L'accélération pondérée est de 14 m/s².

DEUTSCH**Geräusch- und Vibrationsentwicklung**

Der typische A-bewertete Schalldruckpegel beträgt 81 dB (A).

Der Lärmpegel kann während des Betriebs 85 dB (A) überschreiten.

– Gehörschutz tragen. –

Der gewichtete Effektivwert der Beschleunigung beträgt 14 m/s².

ITALIANO**Rumore e vibrazione**

Il livello di pressione sonora pesata secondo la curva A è di 81 dB (A).

Il livello di rumore durante il lavoro potrebbe superare gli 85 dB (A).

– Indossare i paraorecchi. –

Il valore quadratico medio di accelerazione è di 14 m/s².

NEDERLANDS**Geluidsniveau en trilling**

Het typische A-gewogen geluidsdrukniveau is 81 dB (A).

Tijdens het werken kan het geluidsniveau 85 dB (A) overschrijden.

– Draag oorbeschermers. –

De typische gewogen effectieve versnellingswaarde is 14 m/s².

ESPAÑOL**Ruido y vibración**

El nivel de presión sonora ponderada A es de 81 dB (A).

El nivel de ruido en condiciones de trabajo puede que sobrepase los 85 dB (A).

– Póngase protectores en los oídos. –

El valor ponderado de la aceleración es de 14 m/s².

PORTUGUÊS**Ruído e vibração**

O nível normal de pressão sonora A é 81 dB (A).

O nível de ruído durante o trabalho pode exceder 85 dB (A).

– Utilize protectores para os ouvidos –

O valor médio da aceleração é 14 m/s².

DANSK**Lyd og vibration**

Det typiske A-vægtede lydtryksniveau er 81 dB (A).

Støjniveauet under arbejde kan overstige 85 dB (A).

– Bær høreværn. –

Den vægtede effektive accelerationsværdi er 14 m/s².

SVENSKA**Buller och vibration**

Den typiska A-vägdga ljudtrycksnivån är 81 dB (A).

Bullernivån under pågående arbete kan överstiga 85 dB (A).

– Använd hörselskydd –

Det typiskt vägdga effektivvärdet för acceleration är 14 m/s².

NORSK**Støy og vibrasjon**

Det vanlige A-belastede lydtrykknivå er 81 dB (A).

Under bruk kan støynivået overskride 85 dB (A).

– Benytt hørselvern. –

Den vanlig belastede effektiv-verdi for akselerasjon er 14 m/s².

SUOMI**Melutaso ja värinä**

Tyypillinen A-painotettu äänenpainetaso on 81 dB (A).

Melutaso työpaikalla saattaa ylittää 85 dB (A).

– Käytä kuulosuojaimia. –

Tyypillinen kiihtyvyyden painotettu tehollisarvo on 14 m/s².

ΕΛΛΗΝΙΚΑ**Θόρυβος και κραδασμός**

Η τυπική Α-μετρούμενη ηχητική πίεση είναι 81 dB (A).

Η ένταση ήχου υπο συνθήκες εργασίας μπορεί να υπερβεί τα 85 dB (A).

– Φοράτε ωτοασπίδες. –

Η τυπική αξία της μετρούμενης ρίζας του μέσου τετραγώνου της επιτάχυνσης είναι 14 m/s².

Makita Corporation

884245E993