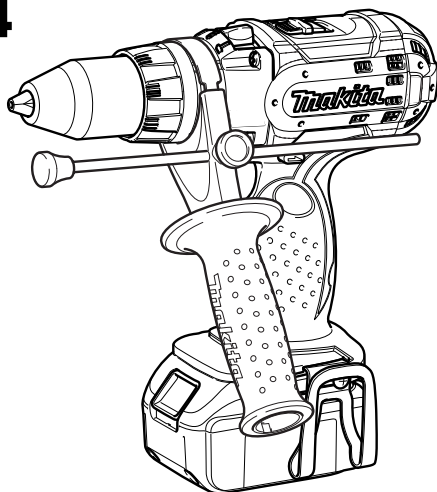
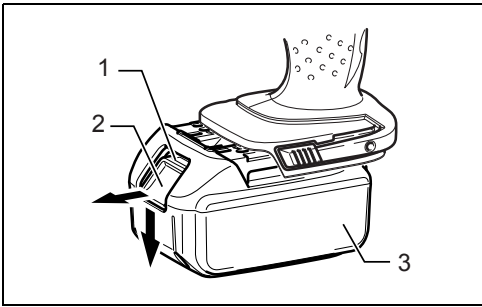




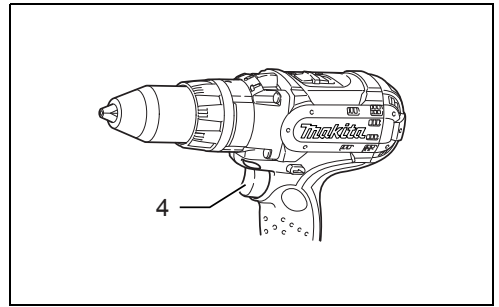
<b>GB</b>	<b>Cordless Hammer Driver Drill</b>	<b>Instruction manual</b>
<b>F</b>	<b>Perceuse à percussion sans fil</b>	<b>Manuel d'instructions</b>
<b>D</b>	<b>Akku-Schlagbohrschrauber</b>	<b>Betriebsanleitung</b>
<b>I</b>	<b>Trapano avvitatore a batterie con percussione</b>	<b>Istruzioni per l'uso</b>
<b>NL</b>	<b>Accu slagboor/schroevendraaier</b>	<b>Gebruiksaanwijzing</b>
<b>E</b>	<b>Taladro atornillador con percusión a batería</b>	<b>Manual de instrucciones</b>
<b>P</b>	<b>Martelo perfurador sem fios</b>	<b>Manual de instruções</b>
<b>DK</b>	<b>Ledningsfri slagboremaskine</b>	<b>Brugsanvisning</b>
<b>GR</b>	<b>Κρουστικό δραπενοκατσάβιδο μπαταρίας</b>	<b>Οδηγίες χρήσης</b>

**BHP444**  
**BHP454**

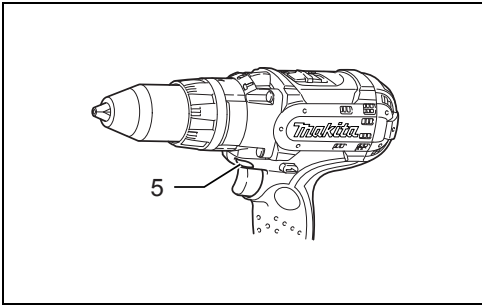




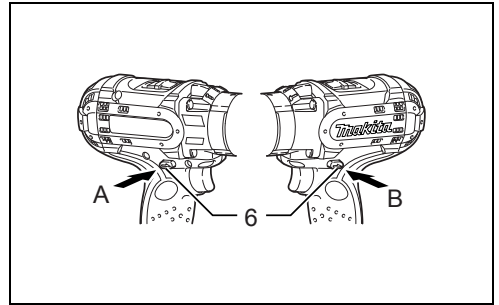
1



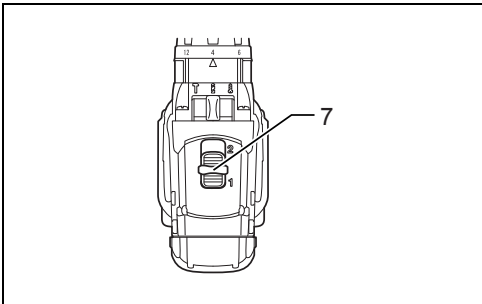
2



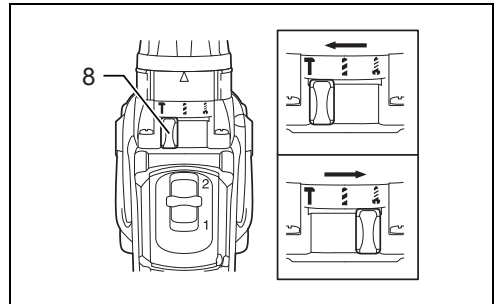
3



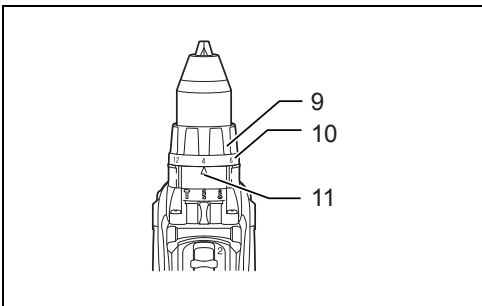
4



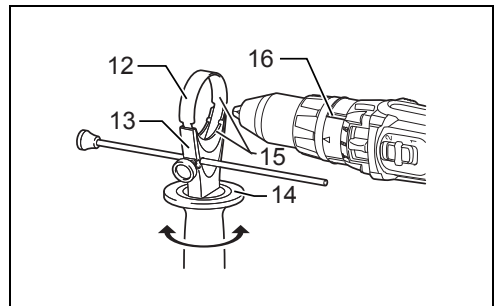
5



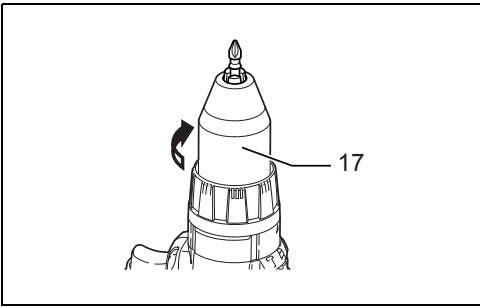
6



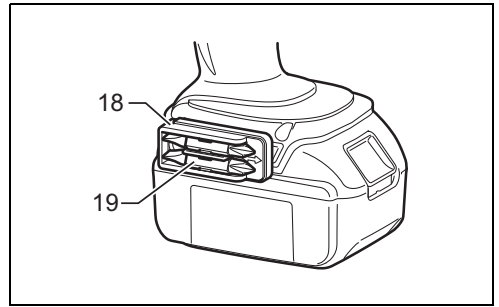
7



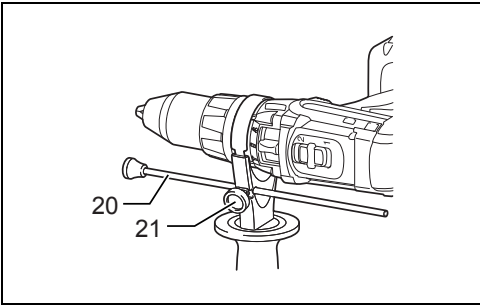
8



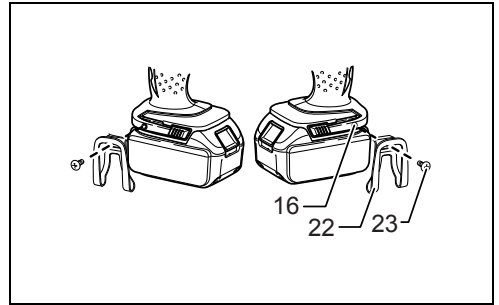
9



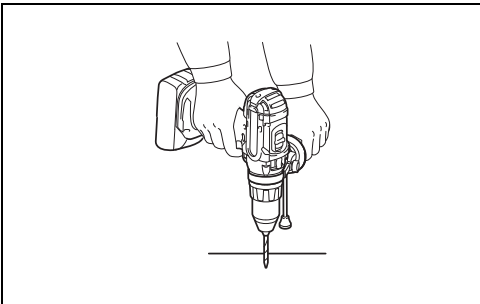
10



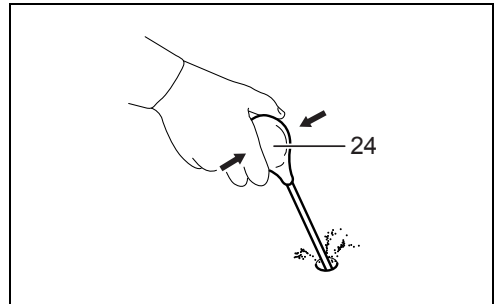
11



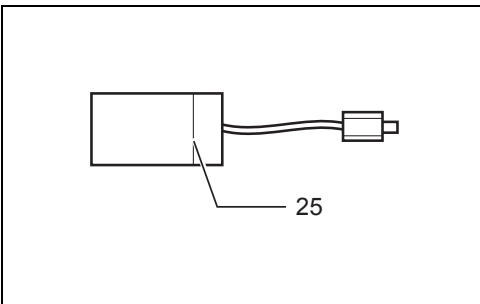
12



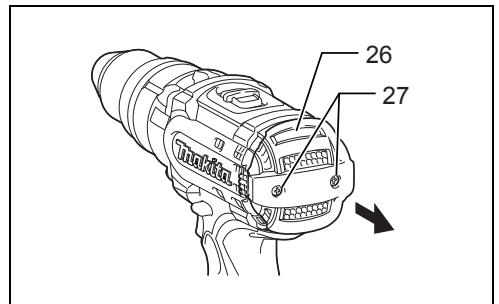
13



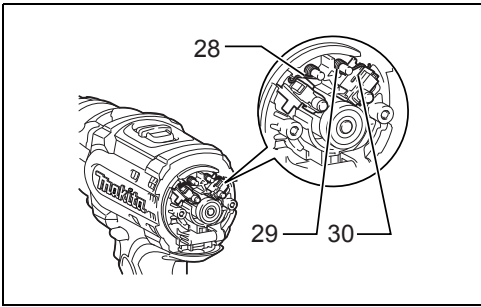
14



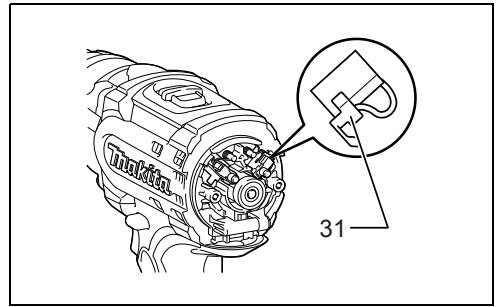
15



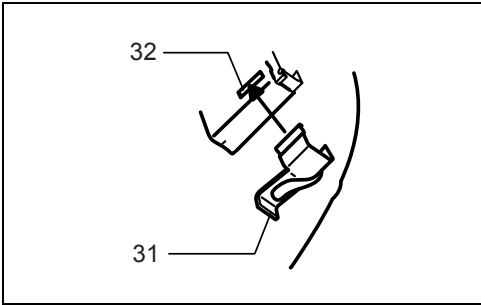
16



17



18



19

## ENGLISH

### Explanation of general view

- |                             |                 |                      |
|-----------------------------|-----------------|----------------------|
| 1. Red part                 | 12. Steel band  | 23. Screw            |
| 2. Button                   | 13. Grip base   | 24. Blow-out bulb    |
| 3. Battery cartridge        | 14. Side grip   | 25. Limit mark       |
| 4. Switch trigger           | 15. Protrusion  | 26. Rear cover       |
| 5. Lamp                     | 16. Groove      | 27. Screws           |
| 6. Reversing switch lever   | 17. Sleeve      | 28. Arm              |
| 7. Speed change lever       | 18. Bit holder  | 29. Spring           |
| 8. Action mode change lever | 19. Bit         | 30. Recessed part    |
| 9. Adjusting ring           | 20. Depth rod   | 31. Carbon brush cap |
| 10. Graduation              | 21. Clamp screw | 32. Hole             |
| 11. Arrow                   | 22. Hook        |                      |

## SPECIFICATIONS

Model		BHP444	BHP454
Capacities	Concrete	14 mm	16 mm
	Steel	13 mm	13 mm
	Wood	50 mm	65 mm
	Wood screw	6 mm x 75 mm	10 mm x 89 mm
	Machine screw	6 mm	
No load speed (min <sup>-1</sup> )	High (2)	0 - 1,700	
	Low (1)	0 - 400	
Blows per minute (min <sup>-1</sup> )	High (2)	0 - 25,500	
	Low (1)	0 - 6,000	
Overall length		243 mm	
Net weight		2.3 kg	2.4 kg
Rated voltage		D.C. 14.4 V	D.C. 18 V

- Due to our continuing program of research and development, the specifications herein are subject to change without notice.
- Specifications may differ from country to country.
- Weight, with battery cartridge, according to EPTA-Procedure 01/2003

### Intended use

ENE039-1

The tool is intended for impact drilling in brick, concrete and stone as well as for drilling without impact in wood, metal, ceramic and plastic.

## SPECIFIC SAFETY RULES

GEB003-4

**DO NOT let comfort or familiarity with product (gained from repeated use) replace strict adherence to hammer drill safety rules. If you use this power tool unsafely or incorrectly, you can suffer serious personal injury.**

1. **Wear ear protectors when impact drilling.**  
Exposure to noise can cause hearing loss.
2. **Use auxiliary handle(s), if supplied with the tool.**  
Loss of control can cause personal injury.
3. **Hold power tool by insulated gripping surfaces, when performing an operation where the cutting accessory may contact hidden wiring or its own cord.** Cutting accessory contacting a "live" wire may make exposed metal parts of the power tool "live" and could give the operator an electric shock.
4. **Always be sure you have a firm footing.**  
**Be sure no one is below when using the tool in high locations.**

5. **Hold the tool firmly with both hands.**
6. **Keep hands away from rotating parts.**
7. **Do not leave the tool running. Operate the tool only when hand-held.**
8. **Do not touch the bit or the workpiece immediately after operation; they may be extremely hot and could burn your skin.**
9. **Some material contains chemicals which may be toxic. Take caution to prevent dust inhalation and skin contact. Follow material supplier safety data.**

## SAVE THESE INSTRUCTIONS.

### WARNING:

**MISUSE** or failure to follow the safety rules stated in this instruction manual may cause serious personal injury.

# IMPORTANT SAFETY INSTRUCTIONS

ENC007-4

## FOR BATTERY CARTRIDGE

1. Before using battery cartridge, read all instructions and cautionary markings on (1) battery charger, (2) battery, and (3) product using battery.
2. Do not disassemble battery cartridge.
3. If operating time has become excessively shorter, stop operating immediately. It may result in a risk of overheating, possible burns and even an explosion.
4. If electrolyte gets into your eyes, rinse them out with clear water and seek medical attention right away. It may result in loss of your eyesight.
5. Do not short the battery cartridge:
  - (1) Do not touch the terminals with any conductive material.
  - (2) Avoid storing battery cartridge in a container with other metal objects such as nails, coins, etc.
  - (3) Do not expose battery cartridge to water or rain. A battery short can cause a large current flow, overheating, possible burns and even a breakdown.
6. Do not store the tool and battery cartridge in locations where the temperature may reach or exceed 50°C (122°F).
7. Do not incinerate the battery cartridge even if it is severely damaged or is completely worn out. The battery cartridge can explode in a fire.
8. Be careful not to drop or strike battery.
9. Do not use dropped or struck battery.

## SAVE THESE INSTRUCTIONS.

### Tips for maintaining maximum battery life

1. Charge the battery cartridge before completely discharged. Always stop tool operation and charge the battery cartridge when you notice less tool power.
2. Never recharge a fully charged battery cartridge. Overcharging shortens the battery service life.
3. Charge the battery cartridge with room temperature at 10°C - 40°C (50°F - 104°F). Let a hot battery cartridge cool down before charging it.

## FUNCTIONAL DESCRIPTION

### CAUTION:

- Always be sure that the tool is switched off and the battery cartridge is removed before adjusting or checking function on the tool.

### Installing or removing battery cartridge (Fig. 1)

- Always switch off the tool before insertion or removal of the battery cartridge.
- To remove the battery cartridge, withdraw it from the tool while sliding the button on the front of the cartridge.

- To insert the battery cartridge, align the tongue on the battery cartridge with the groove in the housing and slip it into place. Always insert it all the way until it locks in place with a little click. If you can see the red part on the upper side of the button, it is not locked completely. Insert it fully until the red part cannot be seen. If not, it may accidentally fall out of the tool, causing injury to you or someone around you.
- Do not use force when inserting the battery cartridge. If the cartridge does not slide in easily, it is not being inserted correctly.

### Switch action (Fig. 2)

#### CAUTION:

- Before inserting the battery cartridge into the tool, always check to see that the switch trigger actuates properly and returns to the "OFF" position when released.

To start the tool, simply pull the switch trigger. Tool speed is increased by increasing pressure on the switch trigger. Release the switch trigger to stop.

### Lighting up the front lamp (Fig. 3)

#### CAUTION:

- Do not look in the light or see the source of the light directly.

Pull the switch trigger to light up the lamp. The lamp keeps on lighting while the switch trigger is being pulled. The lamp goes out 10 -15 seconds after releasing the trigger.

#### NOTE:

- Use a dry cloth to wipe the dirt off the lens of lamp. Be careful not to scratch the lens of lamp, or it may lower the illumination.

### Reversing switch action (Fig. 4)

This tool has a reversing switch to change the direction of rotation. Depress the reversing switch lever from the "A" side for clockwise rotation or from the "B" side for counterclockwise rotation.

When the reversing switch lever is in the neutral position, the switch trigger cannot be pulled.

#### CAUTION:

- Always check the direction of rotation before operation.
- Use the reversing switch only after the tool comes to a complete stop. Changing the direction of rotation before the tool stops may damage the tool.
- When not operating the tool, always set the reversing switch lever to the neutral position.

### Speed change (Fig. 5)

To change the speed, first switch off the tool and then slide the speed change lever to the "2" side for high speed or, "1" side for low speed. Be sure that the speed change lever is set to the correct position before operation. Use the right speed for your job.



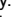
#### CAUTION:

- Always set the speed change lever fully to the correct position. If you operate the tool with the speed change lever positioned halfway between the "1" side and, "2" side, the tool may be damaged.




- Do not use the speed change lever while the tool is running. The tool may be damaged.

## Selecting the action mode (Fig. 6)

This tool employs an action mode change lever. Select one of the three modes suitable for your work needs by using this lever.

For rotation only, slide the lever so that it points toward the  mark on the tool body. For rotation with hammering, slide the lever so that it points toward the  mark on the tool body. For rotation with clutch, slide the lever so that the it points toward the  mark on the tool body.

### NOTE:

- When changing the position from “” to “”, it may be a little difficult to slide the mode change lever. At this time, switch on and run the tool for a second at the “” position, then stop the tool and slide to your desired position.

### CAUTION:

- Always set the lever correctly to your desired mode mark. If you operate the tool with the lever positioned halfway between the mode marks, the tool may be damaged.

## Adjusting the fastening torque (Fig. 7)

The fastening torque can be adjusted in 16 steps by turning the adjusting ring so that its graduations are aligned with the arrow on the tool body. The fastening torque is minimum when the number 1 is aligned with the arrow, and maximum when the number 16 is aligned with the arrow.

Before actual operation, drive a trial screw into your material or a piece of duplicate material to determine which torque level is required for a particular application.

## ASSEMBLY

### CAUTION:

- Always be sure that the tool is switched off and the battery cartridge is removed before carrying out any work on the tool.

## Installing side grip (auxiliary handle) (Fig. 8)

Always use the side grip to ensure operating safety. Insert the side grip so that the protrusions on the grip base and steel band fit in between the grooves on the tool barrel. Then tighten the grip by turning clockwise.

## Installing or removing driver bit or drill bit (Fig. 9)

Turn the sleeve counterclockwise to open the chuck jaws. Place the bit in the chuck as far as it will go. Turn the sleeve clockwise to tighten the chuck.

To remove the bit, turn the sleeve counterclockwise.

## Installing bit holder (Fig. 10)

Fit the bit holder into the protrusion at the tool foot on either right or left side and secure it with a screw. When not using the driver bit, keep it in the bit holders. Bits 45 mm long can be kept there.

## Adjustable depth rod (Fig. 11)

The adjustable depth rod is used to drill holes of uniform depth. Loosen the clamp screw, set to desired position, then tighten the clamp screw.

## Hook (Fig. 12)

The hook is convenient for temporarily hanging the tool. This can be installed on either side of the tool.


To install the hook, insert it into a groove in the tool housing on either side and then secure it with a screw. To remove, loosen the screw and then take it out.

## OPERATION

### Hammer drilling operation (Fig. 13)

#### CAUTION:


- There is a tremendous and sudden twisting force exerted on the tool/bit at the time of hole breakthrough, when the hole becomes clogged with chips and particles, or when striking reinforcing rods embedded in the concrete. Always use the side grip (auxiliary handle) and firmly hold the tool by both side grip and switch handle during operations. Failure to do so may result in the loss of control of the tool and potentially severe injury.

First, slide the action mode change lever so that it points to the  marking. The adjusting ring can be aligned in any torque levels for this operation. Be sure to use a tungsten-carbide tipped bit. Position the bit at the desired location for the hole, then pull the switch trigger. Do not force the tool. Light pressure gives best results. Keep the tool in position and prevent it from slipping away from the hole. Do not apply more pressure when the hole becomes clogged with chips or particles. Instead, run the tool at an idle, then remove the bit partially from the hole. By repeating this several times, the hole will be cleaned out and normal drilling may be resumed.

### Blow-out bulb (optional accessory) (Fig. 14)

After drilling the hole, use the blow-out bulb to clean the dust out of the hole.

### Screwdriving operation

First, slide the action mode change lever so that it points to the  marking. Adjust the adjusting ring to the proper torque level for your work. Then proceed as follows. Place the point of the driver bit in the screw head and apply pressure to the tool. Start the tool slowly and then increase the speed gradually. Release the switch trigger as soon as the clutch cuts in.

#### NOTE:

- Make sure that the driver bit is inserted straight in the screw head, or the screw and/or bit may be damaged.
- When driving wood screws, predrill pilot holes to make driving easier and to prevent splitting of the workpiece. See the chart.

Nominal diameter of wood screw (mm)	Recommended size of pilot hole (mm)
3.1	2.0 - 2.2
3.5	2.2 - 2.5
3.8	2.5 - 2.8
4.5	2.9 - 3.2
4.8	3.1 - 3.4
5.1	3.3 - 3.6
5.5	3.6 - 3.9
5.8	4.0 - 4.2
6.1	4.2 - 4.4


**NOTE:**

- If the tool is operated continuously until the battery cartridge has discharged, allow the tool to rest for 15 minutes before proceeding with a fresh battery.

**Drilling operation**

**CAUTION:**

- Pressing excessively on the tool will not speed up the drilling. In fact, this excessive pressure will only serve to damage the tip of your bit, decrease the tool performance and shorten the service life of the tool.
- There is a tremendous force exerted on the tool/bit at the time of hole break through. Hold the tool firmly and exert care when the bit begins to break through the workpiece.
- A stuck bit can be removed simply by setting the reversing switch to reverse rotation in order to back out. However, the tool may back out abruptly if you do not hold it firmly.
- Always secure small workpieces in a vise or similar hold-down device.
- If the tool is operated continuously until the battery cartridge has discharged, allow the tool to rest for 15 minutes before proceeding with a fresh battery.

First, slide the action mode change lever so that it points to the  marking. The adjusting ring can be aligned in any torque levels for this operation. Then proceed as follows.

**Drilling in wood**

When drilling in wood, the best results are obtained with wood drills equipped with a guide screw. The guide screw makes drilling easier by pulling the bit into the workpiece.

**Drilling in metal**

To prevent the bit from slipping when starting a hole, make an indentation with a center-punch and hammer at the point to be drilled. Place the point of the bit in the indentation and start drilling. Use a cutting lubricant when drilling metals. The exceptions are iron and brass which should be drilled dry.

**MAINTENANCE**

**CAUTION:**

- Always be sure that the tool is switched off and the battery cartridge is removed before attempting to perform inspection or maintenance.

**Replacing carbon brushes (Fig. 15)**

Replace when they wear down to the limit mark. Keep the carbon brushes clean and free to slip in the holders.

Both carbon brushes should be replaced at the same time. Use only identical carbon brushes.

Use a screwdriver to remove two screws then remove the rear cover. **(Fig. 16)**

Raise the arm part of the spring and then place it in the recessed part of the housing with a slotted bit screwdriver of slender shaft or the like. **(Fig. 17)**

Use pliers to remove the carbon brush caps of the carbon brushes. Take out the worn carbon brushes, insert the new ones and replace the carbon brush caps in reverse. **(Fig. 18)**

Make sure that the carbon brush caps have fit into the holes in brush holders securely. **(Fig. 19)**

Reinstall the rear cover and tighten two screws securely. To maintain product SAFETY and RELIABILITY, repairs, any other maintenance or adjustment should be performed by Makita Authorized Service Centers, always using Makita replacement parts.

**ACCESSORIES**

**CAUTION:**

- These accessories or attachments are recommended for use with your Makita tool specified in this manual. The use of any other accessories or attachments might present a risk of injury to persons. Only use accessory or attachment for its stated purpose.

If you need any assistance for more details regarding these accessories, ask your local Makita Service Center.

- Drill bits
- Hammer drill bits
- Screw bits
- Blow-out bulb
- Safety goggles
- Various type of Makita genuine batteries and chargers
- Grip assembly
- Depth rod
- Hook
- Rubber pad assembly
- Wool bonnet
- Foam polishing pad

**For Model BHP444**

ENG102-2

**For European countries only**

**Noise**

The typical A-weighted noise level determined according to EN60745:

- Sound pressure level ( $L_{pA}$ ): 85 dB (A)
- Sound power level ( $L_{WA}$ ): 96 dB (A)
- Uncertainty (K): 3 dB (A)

**Wear ear protection.**

**Vibration**

ENG203-1

The vibration total value (tri-axial vector sum) determined according to EN60745-2-1:

- Work mode: impact drilling into concrete
- Vibration emission ( $a_{h,D}$ ): 9 m/s<sup>2</sup>
- Uncertainty (K): 2 m/s<sup>2</sup>

ENG302-2

- Work mode: drilling into metal
- Vibration emission ( $a_{h,D}$ ): 2.5 m/s<sup>2</sup> or less
- Uncertainty (K): 1.5 m/s<sup>2</sup>



**For Model BHP454**

**For European countries only**

**Noise** ENG102-2

The typical A-weighted noise level determined according to EN60745:

Sound pressure level ( $L_{pA}$ ): 86 dB (A)

Sound power level ( $L_{WA}$ ): 97 dB (A)

Uncertainty (K): 3 dB (A)

**Wear ear protection.**

**Vibration** ENG203-1

The vibration total value (tri-axial vector sum) determined according to EN60745-2-1:

Work mode: impact drilling into concrete

Vibration emission ( $a_{h,D}$ ): 7.5 m/s<sup>2</sup>

Uncertainty (K): 1.5 m/s<sup>2</sup>

ENG302-2

Work mode: drilling into metal

Vibration emission ( $a_{h,D}$ ): 2.5 m/s<sup>2</sup> or less

Uncertainty (K): 1.5 m/s<sup>2</sup>

**EC Declaration of Conformity** ENH101-12

**We Makita Corporation as the responsible manufacturer declare that the following Makita machine(s):**

Designation of Machine: Cordless Hammer Driver Drill  
Model No./ Type: BHP444, BHP454  
are of series production and

**Conforms to the following European Directives:**

98/37/EC until 28th December 2009 and then with  
2006/42/EC from 29th December 2009

And are manufactured in accordance with the following standards or standardised documents:

EN60745

The technical documentation is kept by our authorised representative in Europe who is:

Makita International Europe Ltd,

Michigan, Drive, Tongwell,

Milton Keynes, MK15 8JD, England

30th January 2009



Tomoyasu Kato

Director

Makita Corporation

3-11-8, Sumiyoshi-cho,

Anjo, Aichi, JAPAN

1. Partie rouge	12. Bande d'acier	23. Vis
2. Bouton	13. Base de la poignée	24. Poire soufflante
3. Batterie	14. Poignée latérale	25. Repère d'usage
4. Gâchette	15. Partie saillante	26. Couvercle arrière
5. Lampe	16. Rainure	27. Vis
6. Levier de l'inverseur	17. Manchon	28. Bras
7. Levier de changement de vitesse	18. Porte-embout	29. Ressort
8. Levier de changement de mode	19. Embout	30. Partie encastrée
9. Bague de réglage	20. Tige de profondeur	31. Bouchon de charbon
10. Graduation	21. Vis de serrage	32. Orifice
11. Flèche	22. Crochet	

## SPÉCIFICATIONS

Modèle		BHP444	BHP454
Capacités	Béton	14 mm	16 mm
	Acier	13 mm	13 mm
	Bois	50 mm	65 mm
	Vis à bois	6 mm x 75 mm	10 mm x 89 mm
	Vis de mécanique	6 mm	
Vitesse à vide (min <sup>-1</sup> )	Élevée (2)	0 - 1 700	
	Basse (1)	0 - 400	
Coups par minute (min <sup>-1</sup> )	Elevé (2)	0 - 25 500	
	Bas (1)	0 - 6 000	
Longueur totale		243 mm	
Poids net		2,3 kg	2,4 kg
Tension nominale		14,4 V C.C.	18 V C.C.

- Étant donné l'évolution constante de notre programme de recherche et de développement, les spécifications contenues dans ce manuel sont sujettes à modification sans préavis.
- Les spécifications peuvent varier suivant les pays.
- Poids, batterie incluse, selon la procédure EPTA 01/2003

### Utilisation prévue

ENE039-1

L'outil est conçu pour le perçage avec chocs dans la brique, le béton et la pierre, ainsi que pour le perçage sans chocs dans le bois, le métal, la céramique et le plastique

## CONSIGNES DE SÉCURITÉ SPÉCIFIQUES

GEB003-4

**NE vous laissez PAS tromper (au fil d'une utilisation répétée) par un sentiment d'aisance et de familiarité avec le produit, en négligeant le respect rigoureux des consignes de sécurité qui accompagnent la perceuse à percussion. Si vous n'utilisez pas cet outil électrique de façon sûre ou adéquate, vous courez un risque de blessure grave.**

1. **Portez des protections d'oreilles lorsque vous utilisez le perçage à percussion.** L'exposition au bruit peut entraîner la surdité.
2. **Utilisez la/les poignée(s) auxiliaire(s) de l'outil.** La perte de maîtrise comporte un risque de blessures.
3. **Tenez l'outil à l'aide des surfaces de prise isolées lorsque vous exécutez une opération susceptible de mettre en contact l'accessoire de coupe et les**

**fils cachés ou le propre cordon de l'outil.** Il est possible que le contact avec un fil sous tension mette les parties métalliques exposées de l'outil sous tension, risquant ainsi de provoquer un choc électrique chez l'utilisateur.

4. **Veillez à toujours avoir une bonne position d'équilibre.**  
**Assurez-vous que personne ne se trouve dessous lorsque vous utilisez l'outil en position élevée.**
5. **Tenez l'outil fermement à deux mains.**
6. **Gardez les mains éloignées des pièces en rotation.**
7. **N'abandonnez pas l'outil alors qu'il tourne. Ne faites fonctionner l'outil qu'une fois que vous l'avez bien en main.**
8. **Ne touchez ni l'embout ni la pièce immédiatement après le fonctionnement ; ils risquent d'être extrêmement chauds et de vous brûler la peau.**
9. **Certains matériaux contiennent des produits chimiques qui peuvent être toxiques. Veillez à éviter toute inhalation de poussière et tout contact avec la peau. Respectez les instructions de sécurité du fournisseur du matériel.**

## CONSERVEZ CES INSTRUCTIONS.

### AVERTISSEMENT :

LA MAUVAISE UTILISATION de l'outil ou l'ignorance des consignes de sécurité du présent manuel d'instructions peuvent entraîner une grave blessure.

## CONSIGNES DE SÉCURITÉ IMPORTANTES

ENC007-4

### POUR LA BATTERIE

1. Avant d'utiliser la batterie, veuillez lire toutes les instructions et tous les avertissements inscrits sur (1) le chargeur, (2) la batterie et (3) l'appareil alimenté par la batterie.
2. Ne pas démonter la batterie.
3. Cessez immédiatement l'utilisation si le temps de fonctionnement devient excessivement court. Il y a risque de surchauffe, de brûlures, voire d'explosion.
4. Si l'électrolyte pénètre dans vos yeux, rincez-les à l'eau claire et consultez immédiatement un médecin. Il y a risque de perte de la vue.
5. Ne pas court-circuiter la batterie :
  - (1) Ne toucher les bornes avec aucun matériau conducteur.
  - (2) Éviter de ranger la batterie dans un contenant où se trouvent d'autres objets métalliques tels que clous, pièces de monnaie, etc.
  - (3) N'exposez pas la batterie à l'eau ou à la pluie. Un court-circuit de la batterie pourrait provoquer un fort courant, une surchauffe, parfois des brûlures et même une panne.
6. Ne rangez pas l'outil et la batterie dans des endroits où la température risque d'atteindre ou de dépasser 50 °C (122 °F).
7. Ne jetez pas la batterie au feu même si elle est sérieusement endommagée ou complètement épuisée. La batterie peut exploser au contact du feu.
8. Prenez garde d'échapper ou de heurter la batterie.
9. N'utilisez pas une batterie tombée ou heurtée.

## CONSERVEZ CES INSTRUCTIONS.

### Conseils pour assurer la durée de vie optimale de la batterie

1. Rechargez la batterie avant quelle ne soit complètement épuisée. Arrêtez toujours l'outil et rechargez la batterie quand vous constatez que la puissance de l'outil diminue.
2. Ne rechargez jamais une batterie complètement chargée. La surcharge réduit la durée de service de la batterie.
3. Chargez la batterie alors que la température de la pièce se trouve entre 10 °C et 40 °C (50 °F et 104 °F). Avant de charger une batterie chaude, laissez-la refroidir.

## DESCRIPTION DU FONCTIONNEMENT

### ATTENTION :

- Assurez-vous toujours que l'outil est hors tension et que sa batterie est retirée avant d'ajuster l'outil ou de vérifier son fonctionnement.

### Installation ou retrait de la batterie (Fig. 1)

- Mettez toujours l'outil hors tension avant d'insérer ou de retirer la batterie.
- Pour retirer la batterie, sortez-la de l'outil tout en faisant glisser le bouton à l'avant de la batterie.
- Pour insérer la batterie, alignez sa languette sur l'entaille qui se trouve à l'intérieur du carter, puis glissez la batterie pour la mettre en place. Insérez-la toujours bien à fond, jusqu'à ce qu'elle se verrouille en émettant un léger clic. Si vous pouvez voir la partie rouge sur la face supérieure du bouton, la batterie n'est pas parfaitement verrouillée. Insérez-la à fond, jusqu'à ce que la partie rouge ne soit plus visible. Sinon, la batterie risque de tomber accidentellement de l'outil, en vous blessant ou en blessant une personne se trouvant près de vous.
- N'appliquez pas une force excessive lors de l'insertion de la batterie. Si la batterie ne glisse pas aisément, c'est qu'elle n'est pas insérée correctement.

### Interrupteur (Fig. 2)

#### ATTENTION :

- Avant d'insérer la batterie dans l'outil, vérifiez toujours que la gâchette fonctionne bien et revient en position d'arrêt lorsque libérée.

Pour mettre l'outil en marche, appuyez simplement sur la gâchette. La vitesse de l'outil augmente à mesure que l'on accroît la pression exercée sur la gâchette. Pour l'arrêter, libérez la gâchette.

### Allumage de la lampe avant (Fig. 3)

#### ATTENTION :

- Ne regardez pas directement la lumière ou la source de lumière.

Appuyez sur la gâchette pour allumer la lampe. La lampe demeure allumée tant que la pression sur la gâchette est maintenue. La lampe s'éteint 10 à 15 secondes après la libération de la gâchette.

#### NOTE :

- Utilisez un chiffon sec pour essuyer les saletés qui recouvrent la lentille de la lampe. Prenez garde de rayer la lentille de la lampe, sinon sa capacité d'éclairage sera affectée.

### Marche arrière (Fig. 4)

L'outil possède un inverseur qui permet de changer le sens de rotation. Appuyez sur le levier de l'inverseur par le côté « A » pour une rotation dans le sens des aiguilles d'une montre, ou par le côté « B » pour une rotation en sens inverse.

La pression sur la gâchette n'est pas possible lorsque le levier de l'inverseur se trouve en position neutre.

#### **ATTENTION :**

- Vérifiez toujours le sens de rotation avant de mettre l'outil en marche.
- N'actionnez l'inverseur qu'une fois l'outil complètement arrêté. Si vous changez le sens de rotation de l'outil avant l'arrêt de l'outil, vous risquez de l'endommager.
- Lorsque vous n'utilisez pas l'outil, placez toujours le levier de l'inverseur en position neutre.

#### **Changement de vitesse (Fig. 5)**




Pour changer de vitesse, commencez par éteindre l'outil, puis déplacez le levier de changement de vitesse sur le côté "2" pour faire marcher l'outil à grande vitesse, ou sur le côté "1" pour le faire marcher à vitesse réduite. Vérifiez que le levier de changement de vitesse est réglé sur la bonne position avant le travail. Utilisez la vitesse qui convient pour le travail à effectuer.

#### **ATTENTION :**




- Placez toujours parfaitement le levier de changement de vitesse sur la position correcte. Si vous faites fonctionner l'outil avec le levier de changement de vitesse situé à mi-course entre le côté "1" et le côté "2", il risque d'être endommagé.
- N'actionnez pas le levier de changement de vitesse pendant que l'outil fonctionne. Vous pourriez endommager l'outil.

#### **Sélection du mode de fonctionnement (Fig. 6)**

Cet outil fonctionne avec un levier de changement de mode. Utilisez ce levier pour sélectionner, parmi les trois modes disponibles, celui qui convient au travail à exécuter.

Pour le mode de rotation seulement, glissez le levier de sorte qu'il pointe vers l'indication  sur le corps de l'outil. Pour le mode de rotation avec percussion, glissez le levier de sorte qu'il pointe vers l'indication  sur le corps de l'outil. Pour le mode de rotation avec engrenage, glissez le levier de sorte qu'il pointe vers l'indication  sur le corps de l'outil.

#### **REMARQUE :**

- Il se peut qu'il soit un peu difficile de faire glisser le levier de changement de mode pour le déplacer de la position "  " à la position "  ". Il faut alors mettre l'outil en marche et le faire fonctionner pendant une seconde sur la position "  ", arrêter l'outil puis glisser le levier sur la position désirée.

#### **ATTENTION :**

- Réglez toujours le levier correctement sur l'indication du mode désiré. Si vous utilisez l'outil alors que le levier se trouve à mi-course entre deux indications de mode, l'outil risque d'être endommagé.

#### **Réglage du couple de serrage (Fig. 7)**

Le couple de serrage peut être ajusté sur l'une ou l'autre de 16 positions en tournant la bague de réglage de sorte que ses graduations s'alignent sur la flèche du corps de l'outil. Le couple de serrage est minimal lorsque le numéro 1 est aligné sur la flèche, et maximal lorsque le numéro 16 est aligné sur la flèche.

Avant de commencer véritablement votre travail, enfoncez une vis d'essai dans le matériau ou dans une

pièce similaire afin d'identifier le couple de serrage requis pour une utilisation donnée.

## **ASSEMBLAGE**

#### **ATTENTION :**

- Assurez-vous toujours que l'outil est hors tension et que la batterie est retirée avant d'effectuer toute intervention sur l'outil.

#### **Installation de la poignée latérale (poignée auxiliaire) (Fig. 8)**

Pour une utilisation sûre, utilisez toujours la poignée latérale.

Insérez la poignée latérale de sorte que les parties saillantes de la base de la poignée pénètrent dans les rainures du barillet de l'outil. Serrez ensuite la poignée en la tournant dans le sens des aiguilles d'une montre.

#### **Pour installer ou retirer l'embout ou le foret (Fig. 9)**

Tournez le manchon dans le sens inverse des aiguilles d'une montre pour ouvrir les mâchoires du mandrin. Insérez l'embout/le foret à fond dans le mandrin. Tournez le manchon dans le sens des aiguilles d'une montre pour serrer le mandrin.

Pour retirer l'embout/le foret, tournez le manchon dans le sens inverse des aiguilles d'une montre.

#### **Installation du porte-embout (Fig. 10)**

Insérez le porte-embout dans la partie saillante à la base de l'outil, du côté gauche ou droit, puis serrez-le avec une vis.

Lorsque vous n'utilisez pas l'embout, rangez-le dans le porte-embout.

Il peut contenir des embouts d'une longueur de 45 mm.

#### **Tige de profondeur réglable (Fig. 11)**

L'utilisation de la tige de profondeur réglable permet de percer des trous de même profondeur. Desserrez la vis de serrage, réglez sur la position désirée, puis resserrez la vis.

#### **Crochet (Fig. 12)**

L'outil est équipé d'un crochet pratique qui permet de le suspendre temporairement.

Il s'installe d'un côté comme de l'autre de l'outil.

Pour installer le crochet, insérez-le dans une rainure du carter de l'outil d'un côté ou de l'autre puis serrez-le avec une vis.

Pour le retirer, desserrez la vis et enlevez-le.


## **UTILISATION**

#### **Perçage avec impacts (Fig. 13)**

#### **ATTENTION :**

- Une force de torsion énorme et soudaine s'exerce sur l'outil et le foret lors du perçage du trou, lorsque ce dernier est bouché par des copeaux et particules ou lorsque le foret frappe contre les armatures d'une structure en béton armé. Utilisez toujours la poignée latérale (poignée auxiliaire) et tenez fermement l'outil par la poignée latérale et la poignée de la gâchette


pendant l'utilisation. Autrement vous risquez de perdre la maîtrise de l'outil et vous courez un risque de blessure grave.

Glissez d'abord le levier de mode de fonctionnement de sorte qu'il pointe vers l'indication . Pour cette opération, la bague de réglage peut être alignée sur n'importe quel niveau de couple. Vous devez utiliser un foret à pointe de carbure de tungstène. Placez le foret au point où vous désirez percer le trou, puis appuyez sur la gâchette. Ne forcez pas l'outil. Vous obtiendrez de meilleurs résultats avec une légère pression. Gardez l'outil dans cette position et évitez qu'il ne glisse à l'extérieur du trou. N'appliquez pas plus de pression lorsque le trou se bouche de copeaux ou particules. Faites plutôt tourner l'outil au ralenti, puis retirez partiellement le foret du trou. Vous pourrez poursuivre le perçage de façon normale après avoir répété quelques fois cette opération.

## Poire soufflante (accessoire en option) (Fig. 14)

Une fois le trou percé, utilisez la poire soufflante pour retirer la poussière du trou.

## Vissage

Glissez d'abord le levier de mode de fonctionnement de sorte qu'il pointe vers l'indication . Ajustez la bague de réglage sur le niveau de couple qui convient au travail à effectuer. Procédez ensuite comme suit.

Placez la pointe de l'embout dans la tête de vis et appliquez une pression sur l'outil. Faites démarrer l'outil à vitesse réduite puis augmentez graduellement la vitesse. Relâchez la gâchette dès que l'embrayage s'active.

### REMARQUE :

- Assurez-vous que l'embout se trouve inséré bien droit dans la tête de vis, faute de quoi la vis et/ou l'embout risquent d'être endommagés.
- Quand vous vissez des vis à bois, le perçage de trous-pilotes rendra votre tâche plus aisée et empêchera que le matériau ne se fende. Consultez le tableau.

Diamètre nominal des vis à bois (mm)	Taille recommandée pour les trous-pilotes (mm)
3,1	2,0 - 2,2
3,5	2,2 - 2,5
3,8	2,5 - 2,8
4,5	2,9 - 3,2
4,8	3,1 - 3,4
5,1	3,3 - 3,6
5,5	3,6 - 3,9
5,8	4,0 - 4,2
6,1	4,2 - 4,4

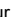
### REMARQUE :

- Si l'outil a fonctionné de façon continue jusqu'à ce que la batterie s'épuise, laissez-le reposer pendant 15 minutes avant de poursuivre avec une batterie fraîche.

## Perçage

### ATTENTION :

- Une pression excessive sur l'outil n'accélère pas le perçage. En fait, la pression excessive endommagera le bout du foret, causera une baisse des performances de l'outil et réduira sa durée de service.
- Une force énorme s'exerce sur l'outil et le foret lorsque ce dernier émerge sur la face opposée. Tenez l'outil fermement et faites bien attention lorsque le foret commence à sortir de la face opposée de la pièce.
- Un foret coincé peut être retiré en réglant simplement l'inverseur sur la rotation inverse pour faire marche arrière. L'outil peut toutefois faire brusquement marche arrière si vous ne le tenez pas fermement.
- Immobilisez toujours les petites pièces à travailler dans un étau ou un dispositif de retenue similaire.
- Si l'outil a fonctionné de façon continue jusqu'à ce que la batterie soit épuisée, laissez-le reposer pendant 15 minutes avant de poursuivre avec une batterie neuve.

Glissez d'abord le levier de mode de fonctionnement de sorte qu'il pointe vers l'indication . Pour cette opération, la bague de réglage peut être alignée sur n'importe quel niveau de couple. Procédez ensuite comme suit.

### Perçage du bois

Pour percer dans du bois, vous obtiendrez les meilleurs résultats avec un foret à bois doté d'une vis de guidage. La vis de guidage facilite le perçage en entraînant le foret dans la pièce.

### Perçage du métal

Pour que le foret ne glisse pas quand vous commencez à percer le trou, faites une entaille à l'aide d'un pointeau et d'un marteau. Placez la pointe du foret dans l'entaille et commencez à percer. Lorsque vous percez du métal, utilisez un lubrifiant de coupe. Seuls le fer et le laiton font exception et doivent être percés à sec.

## ENTRETIEN

### ATTENTION :

- Assurez-vous toujours que l'outil est hors tension et que la batterie est retirée avant d'y effectuer tout travail d'inspection ou d'entretien.

## Remplacement des charbons (Fig. 15)

Remplacez-les lorsqu'ils atteignent le repère d'usure. Gardez les charbons propres et assurez-vous qu'ils glissent librement dans les porte-charbons.

Les deux charbons doivent être remplacés simultanément. Utilisez uniquement des charbons identiques.

Retirez les deux vis à l'aide d'un tournevis puis enlevez le couvercle arrière. (Fig. 16)

Soulevez le bras du ressort puis placez-le dans la partie encastrée du carter avec un tournevis à tête fendue et tige mince ou un outil similaire. (Fig. 17)

Utilisez une paire de tenailles pour retirer les bouchons des charbons. Enlevez les charbons usés, insérez les neufs et remettez en place les bouchons sur les charbons. (Fig. 18)

Assurez-vous que les bouchons des charbons sont solidement en place dans les orifices des porte-charbons. (Fig. 19)

Remettez en place le couvercle arrière et serrez les deux vis fermement. Pour assurer la SÉCURITÉ et la FIABILITÉ du produit, toute réparation et tout travail d'entretien ou de réglage doivent être effectués par un Centre de service après-vente agréé Makita, avec des pièces de rechange Makita.

## ACCESSOIRES

### ATTENTION :

- Ces accessoires ou pièces complémentaires sont recommandés pour l'utilisation avec l'outil Makita spécifié dans ce manuel. L'utilisation de tout autre accessoire ou pièce complémentaire peut comporter un risque de blessure. Utilisez uniquement l'accessoire ou la pièce complémentaire dans le but spécifié.

Pour obtenir plus de détails sur ces accessoires, contactez un Centre de service après-vente local Makita.

- Forets
- Embouts pour percussion
- Embouts
- Poire soufflante
- Lunettes de sécurité
- Les divers types de batteries et chargeurs Makita authentiques.
- Ensemble pour poignée
- Tige de profondeur
- Crochet
- Ensemble de coussinet en caoutchouc
- Capuchon de laine
- Tampon à polir en mousse

### Pour le modèle BHP444

ENG102-2

### Pour l'Europe uniquement Bruit

Les niveaux de bruit pondéré A typiques ont été mesurés selon la norme EN60745 :

Niveau de pression sonore ( $L_{pA}$ ) : 85 dB (A)

Niveau de puissance sonore ( $L_{WA}$ ) : 96 dB (A)

Incertitude (K) : 3 dB (A)

**Portez des protections auditives.**

### Vibration

ENG203-1

La valeur totale de vibration (somme du vecteur triaxial) déterminée selon EN60745-2-1 :

Mode de fonctionnement : perçage à percussion dans le béton

Émission de vibrations ( $a_{h,1D}$ ) : 9 m/s<sup>2</sup>

Incertitude (K) : 2 m/s<sup>2</sup>

ENG302-2

Mode de fonctionnement : perçage du métal

Émission de vibrations ( $a_{h,1D}$ ) : 2,5 m/s<sup>2</sup> ou moins

Incertitude (K) : 1,5 m/s<sup>2</sup>

### Pour le modèle BHP454

### Pour l'Europe uniquement

### Bruit

ENG102-2

Les niveaux de bruit pondéré A typiques ont été mesurés selon la norme EN60745 :

Niveau de pression sonore ( $L_{pA}$ ) : 86 dB (A)

Niveau de puissance sonore ( $L_{WA}$ ) : 97 dB (A)

Incertitude (K) : 3 dB (A)

**Portez des protections auditives.**

### Vibration

ENG203-1

La valeur totale de vibration (somme du vecteur triaxial) déterminée selon EN60745-2-1 :

Mode de fonctionnement : perçage à percussion dans le béton

Émission de vibrations ( $a_{h,1D}$ ) : 7,5 m/s<sup>2</sup>

Incertitude (K) : 1,5 m/s<sup>2</sup>

ENG302-2

Mode de fonctionnement : perçage du métal

Émission de vibrations ( $a_{h,1D}$ ) : 2,5 m/s<sup>2</sup> ou moins

Incertitude (K) : 1,5 m/s<sup>2</sup>

### Déclaration de conformité CE

ENH101-12

**Nous, Makita Corporation, en tant que fabricant responsable, déclarons que les machines Makita suivantes :**

Nom de la machine : Perceuse à percussion sans fil

N° de modèle/Type : BHP444, BHP454

sont fabriquées en série et

**sont conformes aux directives européennes**

**suivantes :**

98/37/CE jusqu'au 28 décembre 2009 puis, à partir du 29 décembre 2009, à la 2006/42/CE

et sont produites conformément aux normes ou documents de normalisation suivants :

EN60745

La documentation technique est disponible auprès de notre représentant en Europe qui est :

Makita International Europe Ltd,

Michigan, Drive, Tongwell,

Milton Keynes, MK15 8JD, Angleterre

30 janvier 2009



Tomoyasu Kato

Directeur

Makita Corporation

3-11-8, Sumiyoshi-cho,

Anjo, Aichi, JAPAN

# DEUTSCH

## Erklärung der Gesamtdarstellung

- |   |                    |                         |
|---|--------------------|-------------------------|
| 1. Roter Bereich                          | 11. Pfeil          | 23. Schraube            |
| 2. Taste                                  | 12. Stahlband      | 24. Ausblasvorrichtung  |
| 3. Akkublock                              | 13. Grifffläche    | 25. Grenzmarkierung     |
| 4. Auslöseschaltung                       | 14. Seitengriff    | 26. Hintere Abdeckung   |
| 5. Lampe                                  | 15. Vorsprung      | 27. Schrauben           |
| 6. Umschalthebel                          | 16. Rille          | 28. Arm                 |
| 7. Hebel zur Änderung der Geschwindigkeit | 17. Kranz          | 29. Feder               |
| 8. Hebel zum Wechseln der Betriebsart     | 18. Werkzeughalter | 30. Abgestufter Bereich |
| 9. Justierungsring                        | 19. Einsatz        | 31. Kohlebürstenkappe   |
| 10. Einteilung                            | 20. Tiefenanschlag | 32. Loch                |
|   | 21. Klemmschraube  |                         |
|   | 22. Haken          |                         |

## TECHNISCHE ANGABEN

Modell		BHP444	BHP454
Kapazität	Beton	14 mm	16 mm
	Stahl	13 mm	13 mm
	Holz	50 mm	65 mm
	Holzschraube	6 mm x 75 mm	10 mm x 89 mm
	Maschinenschraube	6 mm	
Leerlaufgeschwindigkeit (min <sup>-1</sup> )	Hoch (2)	0 - 1.700	
	Niedrig (1)	0 - 400	
Schläge pro Minute (min <sup>-1</sup> )	Hoch (2)	0 - 25.500	
	Niedrig (1)	0 - 6.000	
Gesamtlänge		243 mm	
Nettogewicht		2,3 kg	2,4 kg
Nennspannung		Gleichspannung 14,4 V	Gleichspannung 18 V

- Aufgrund unserer fortschreitenden Forschungen und Entwicklungen sind Änderungen an den hier wiedergegebenen Angaben ohne Vorankündigung vorbehalten.
- Die Angaben können sich je nach Land unterscheiden.
- Gewicht, mit Akkublock, ermittelt gemäß EPTA-Verfahren 01/2003

### Verwendungszweck ENE039-1

Das Werkzeug wurde für das Schlagbohren in Ziegel, Beton und Stein sowie für schlagloses Bohren in Holz, Metall, Keramik und Plastik entwickelt.

## BESONDERE SICHERHEITSGESETZGEBUNG GEB003-4

Lassen Sie sich **NIE** durch Bequemlichkeit oder (aus fortwährendem Gebrauch gewonnener) Vertrautheit mit dem Gerät dazu verleiten, die Sicherheitsregeln für die Schlagbohrmaschine zu missachten. Ein fahrlässiger oder nicht ordnungsgemäßer Umgang mit diesem Elektrowerkzeug kann zu schweren Verletzungen führen.

1. **Tragen Sie beim Gebrauch von Schlagbohrern einen Gehörschutz.** Lärm ausgesetzt zu sein, kann zu Hörverlust führen.
2. **Verwenden Sie die mit dem Werkzeug gelieferten Zusatzgriffe.** Ein Verlust der Kontrolle über das Werkzeug kann zu Verletzungen führen.
3. **Halten Sie das Elektrowerkzeug an den isolierten Griffflächen, wenn Sie unter Bedingungen**

**arbeiten, bei denen das Schneidwerkzeug verborgene Verkabelung oder das eigene Kabel berühren kann.** Bei Kontakt des Trennwerkzeugs mit einem Strom führenden Kabel wird der Strom an die Metallteile des Elektrowerkzeugs und dadurch an den Bediener weitergeleitet, und der Bediener erleidet einen Stromschlag.

4. **Achten Sie jederzeit auf sicheren und festen Stand.**  
**Achten Sie bei Verwendung des Werkzeugs an erhöhten Standorten darauf, dass sich keine Personen unter dem Standort aufhalten.**
5. **Halten Sie das Werkzeug mit beiden Händen fest.**
6. **Halten Sie Ihre Hände von beweglichen Teilen fern.**
7. **Lassen Sie das Werkzeug nicht unbeaufsichtigt eingeschaltet. Das Werkzeug darf nur dann eingeschaltet werden, wenn es festgehalten wird.**
8. **Berühren Sie kurz nach dem Betrieb nicht den Bit-Einsatz oder das Werkstück. Diese können extrem heiß sein und zu Verbrennungen führen.**
9. **In einigen Materialien sind möglicherweise giftige Chemikalien enthalten. Vermeiden Sie das**

Einatmen von Staub und den Hautkontakt mit diesen Materialien. Befolgen Sie die Sicherheitshinweise des Materialherstellers.

## BEWAHREN SIE DIESE ANWEISUNGEN SORGFÄLTIG AUF.

### WARNUNG:

MISSBRAUCH oder Missachtung der in diesem Handbuch enthaltenen Sicherheitshinweise können zu schweren Personenschäden führen.

## WICHTIGE SICHERHEITSREGELN

ENC007-4

## FÜR AKKUBLOCK

1. Lesen Sie vor der Verwendung des Akkublocks alle Anweisungen und Sicherheitshinweise für (1) das Akkuladegerät, (2) den Akku und (3) das Produkt, für das der Akku verwendet wird.
2. Der Akkublock darf nicht zerlegt werden.
3. Falls die Betriebsdauer erheblich kürzer wird, beenden Sie den Betrieb umgehend. Andernfalls besteht die Gefahr einer Überhitzung sowie das Risiko möglicher Verbrennungen und sogar einer Explosion.
4. Wenn Elektrolyt in Ihre Augen gerät, waschen Sie diese mit klarem Wasser aus, und suchen Sie sofort einen Arzt auf. Andernfalls können Sie Ihre Sehfähigkeit verlieren.
5. Vermeiden Sie einen Kurzschluss des Akkublocks:
  - (1) Die Kontakte dürfen nicht mit leitendem Material in Berührung kommen.
  - (2) Der Akkublock darf nicht in einem Behälter aufbewahrt werden, in dem sich andere metallische Gegenstände wie beispielsweise Nägel, Münzen usw. befinden.
  - (3) Der Akkublock darf weder Feuchtigkeit noch Regen ausgesetzt werden. Ein Kurzschluss des Akkus kann zu hohem Kriechstrom, Überhitzung, möglichen Verbrennungen und sogar zu einer Zerstörung des Geräts führen.
6. Werkzeug und Akkublock dürfen nicht an Orten aufbewahrt werden, an denen Temperatur von 50°C oder höher erreicht werden.
7. Selbst wenn der Akkublock schwer beschädigt oder völlig verbraucht ist, darf er nicht angezündet werden. Der Akkublock kann in den Flammen explodieren.
8. Lassen Sie den Akku nicht fallen, und vermeiden Sie Schläge gegen den Akku.
9. Verwenden Sie heruntergefallene Akkus oder Akkus, die Stößen ausgesetzt waren, nicht mehr.

## BEWAHREN SIE DIESE ANWEISUNGEN SORGFÄLTIG AUF.

### Tipps für den Erhalt der maximalen Akkublocknutzungsdauer

1. Laden Sie den Akkublock auf, bevor er ganz entladen ist. Beenden Sie stets den Betrieb des Werkzeugs, und laden Sie den Akkublock auf, sobald Sie eine verringerte Werkzeugleistung bemerken.
2. Ein voll aufgeladener Akkublock darf niemals erneut geladen werden. Durch Überladungen wird die Lebensdauer des Akkus verkürzt.
3. Laden Sie den Akkublock bei einer Zimmertemperatur von 10°C - 40°C auf. Lassen Sie einen heißen Akkublock vor dem Aufladen abkühlen.

## FUNKTIONSBESCHREIBUNG

### ACHTUNG:

- Schalten Sie das Werkzeug stets aus und entfernen Sie den Akkublock, bevor Sie Einstellungen oder eine Funktionsprüfung des Werkzeugs vornehmen.

### Montage und Demontage des Akkublocks (Abb. 1)

- Schalten Sie das Werkzeug stets aus, bevor Sie den Akkublock einsetzen oder entfernen.
- Zum Entfernen des Akkublocks müssen Sie diesen aus dem Gerät herausziehen, während Sie die Taste auf der Vorderseite des Blocks schieben.
- Zum Einsetzen des Akkublocks müssen Sie die Zunge des Akkublocks an der Rille im Gehäuse ausrichten und in die gewünschte Position schieben. Setzen Sie den Block immer ganz ein, bis er mit einem Klick einrastet. Wenn Sie den roten Bereich oben auf der Taste sehen können, ist der Block nicht ganz eingerastet. Setzen Sie ihn ganz ein, bis der rote Bereich nicht mehr zu sehen ist. Andernfalls kann der Block versehentlich aus dem Werkzeug fallen und Sie oder Personen in Ihrem Umfeld verletzen.
- Wenden Sie beim Einsetzen des Akkublocks keine Gewalt an. Wenn der Block nicht leicht hineingleitet, wird er nicht richtig eingesetzt.

### Bedienung des Schalters (Abb. 2)

#### ACHTUNG:

- Achten Sie vor dem Einsetzen des Akkublocks in das Werkzeug darauf, dass sich der Auslöseschalter korrekt bedienen lässt und beim Loslassen auf die Position „OFF“ zurückkehrt.

Betätigen Sie zum Starten des Werkzeugs einfach den Auslöseschalter. Die Geschwindigkeit des Werkzeugs wird durch erhöhten Druck auf den Auslöseschalter gesteigert. Lassen Sie die Auslöseschaltung los, um das Werkzeug auszuschalten.



## Einschalten der Frontlampe (Abb. 3)

### ACHTUNG:

- Schauen Sie nicht direkt in das Licht oder in die Lichtquelle.

Ziehen Sie zum Einschalten der Lampe die Auslöseschaltung. Die Lampe leuchtet so lange, wie die Auslöseschaltung gezogen ist. Nach dem Loslassen des Auslösers erlischt die Lampe nach 10 bis 15 Sekunden.

### HINWEIS:

- Wischen Sie Schmutz auf der Lampenlinse mit einem trockenen Tuch ab.  
Achten Sie darauf, die Lampenlinse nicht zu zerkratzen, da dies die Beleuchtungsstärke mindern kann.

## Bedienung des Umschalters (Abb. 4)

Dieses Werkzeug verfügt über einen Umschalter, mit dem die Drehrichtung geändert werden kann. Für eine Drehbewegung im Uhrzeigersinn muss der Umschalthebel von der Seite „A“ nach unten gedrückt werden, und für eine Drehbewegung gegen den Uhrzeigersinn von der Seite „B“.

Wenn sich der Umschalthebel in der neutralen Position befindet, kann der Auslöser nicht gezogen werden.

### ACHTUNG:

- Überprüfen Sie vor jedem Betrieb immer die Drehrichtung.
- Der Umschalter darf nur betätigt werden, wenn das Werkzeug ganz angehalten wurde. Wenn Sie die Drehrichtung ändern, solange das Werkzeug noch läuft, kann es beschädigt werden.
- Ist das Werkzeug nicht in Gebrauch, muss der Umschalthebel immer auf die neutrale Position gestellt werden.

## Änderung der Drehzahl (Abb. 5)

Schalten Sie zum Ändern der Drehzahl zunächst das Werkzeug aus, und schieben Sie dann den Hebel zur Änderung der Drehzahl auf „2“ (hohe Drehzahl) oder „1“ (niedrige Drehzahl). Überprüfen Sie vor dem Betrieb des Werkzeugs, ob sich der Hebel zur Änderung der Geschwindigkeit in der richtigen Position befindet. Verwenden Sie die für Ihre Arbeit geeignete Geschwindigkeit.




### ACHTUNG:

- Stellen Sie den Hebel zur Änderung der Geschwindigkeit immer ganz in die richtige Position. Wenn Sie das Werkzeug betreiben und sich dieser Hebel zwischen der Einstellung „1“ und „2“ befindet, kann das Werkzeug beschädigt werden.
- Der Hebel zur Änderung der Geschwindigkeit darf nicht betätigt werden, solange das Werkzeug läuft. Andernfalls kann das Werkzeug beschädigt werden.




## Auswahl der Betriebsart (Abb. 6)

Dieses Werkzeug verfügt über einen Hebel zum Wechseln der Betriebsart. Mit Hilfe dieses Hebels können Sie die Betriebsart auswählen, die sich für Ihre Arbeitsanforderungen am besten eignet. Es stehen drei Betriebsarten zur Auswahl.

Für eine reine Drehbewegung müssen Sie den Hebel so schieben, dass der Pfeil auf dem Werkzeugkörper auf die

Markierung  zeigt. Für eine Schlag-Drehbewegung müssen Sie den Hebel so schieben, dass der Pfeil auf dem Werkzeugkörper auf die Markierung  zeigt. Für eine Drehbewegung mit Drehmomentkupplung müssen Sie den Hebel so schieben, dass der Pfeil auf dem Werkzeugkörper auf die Markierung  zeigt.

### HINWEIS:

- Wenn Sie die Position von „ auf „“ ändern, kann unter Umständen das Schieben des Hebels etwas erschwert sein. Schalten Sie in diesem Fall das Werkzeug für eine Sekunde in Position „“ ein, schalten Sie es anschließend aus und schieben Sie dann den Hebel in die gewünschte Position.

### ACHTUNG:

- Stellen Sie den Hebel immer richtig auf die gewünschte Betriebsartmarkierung. Wenn Sie das Werkzeug betreiben und sich der Hebel zwischen den einzelnen Betriebsartmarkierungen befindet, kann das Werkzeug beschädigt werden.

## Einstellen des Anzugsdrehmoments (Abb. 7)

Das Anzugsdrehmoment kann in 16 Stufen eingestellt werden, indem der Justierungsring so gedreht wird, dass seine Einteilungsschritte am Pfeil auf dem Werkzeugkörper ausgerichtet sind. Das Anzugsdrehmoment ist minimal eingestellt, wenn die Zahl 1 am Pfeil ausgerichtet ist, und maximal, wenn die Zahl 16 am Pfeil ausgerichtet ist.

Schrauben Sie vor dem eigentlichen Betrieb eine Probeschraube in Ihr Material bzw. in ein Materialduplikat, um zu ermitteln, welche Drehmomentstufe für eine bestimmte Anwendung erforderlich ist.

## MONTAGE

### ACHTUNG:

- Schalten Sie das Werkzeug stets aus und entfernen Sie den Akkublock, bevor Sie Arbeiten am Werkzeug ausführen.

## Einsetzen des Seitengriffs (Zusatzgriff) (Abb. 8)

Verwenden Sie stets den Seitengriff, um die Betriebssicherheit zu gewährleisten.

Legen Sie den Seitengriff so ein, dass die Vorsprünge an der Grifffläche und dem Stahlband zwischen die Rillen an der Werkzeughülse passen. Ziehen Sie anschließend den Griff fest, indem Sie ihn im Uhrzeigersinn drehen.

## Einsetzen oder Entfernen des Dreh- oder Bohreinsatzes (Abb. 9)

Drehen Sie den Kranz gegen den Uhrzeigersinn, um die Spannfutterbacken zu öffnen. Schieben Sie den Einsatz so weit wie möglich in das Spannfutter. Drehen Sie den Kranz im Uhrzeigersinn, um das Spannfutter anzuziehen. Wenn Sie den Einsatz entfernen möchten, müssen Sie den Kranz gegen den Uhrzeigersinn drehen.

## Einsetzen des Werkzeughalters (Abb. 10)

Setzen Sie den Werkzeughalter in den Vorsprung an der linken oder rechten Seite des Werkzeugaufbaus ein, und befestigen Sie ihn mit einer Schraube.

Wenn Sie den Dreheinsatz nicht verwenden, bewahren Sie ihn in den Werkzeughaltern auf.

Einsätze bis zu einer Länge von 45 mm können dort aufbewahrt werden.

### Verstellbarer Tiefenanschlag (Abb. 11)

Der verstellbare Tiefenanschlag wird verwendet, um Löcher mit einheitlicher Tiefe zu bohren. Lösen Sie die Klemmschraube, stellen Sie sie in die gewünschte Position und ziehen Sie die Klemmschraube wieder fest.

### Haken (Abb. 12)


Der Haken ist nützlich, wenn Sie das Werkzeug vorübergehend aufhängen möchten. Er kann an jeder Seite des Werkzeugs befestigt werden. Setzen Sie den Haken zur Montage in eine Rille am Werkzeuggehäuse (die Seite ist beliebig), und befestigen Sie diesen mit einer Schraube. Zur Entfernung müssen Sie nur die Schraube lockern und den Haken herausnehmen.

## BETRIEB

### Schlagbohrbetrieb (Abb. 13)

#### ACHTUNG:


- Beim Lochdurchschlag, wenn das Loch durch Holzspäne und -partikel verstopft ist oder wenn das Werkzeug auf Verstärkungsstangen im Beton trifft, wirken enorme und abrupte Drehkräfte auf das Werkzeug bzw. den Einsatz. Verwenden Sie stets den Seitengriff (Zusatzgriff) und halten Sie während der Arbeit das Werkzeug am Seitengriff und am Schaltergriff fest. Andernfalls können Sie die Kontrolle über das Werkzeug verlieren und sich schwer verletzen.

Schieben Sie den Hebel zum Wechsel der Betriebsart zunächst so, dass er auf die Markierung  zeigt. Für diesen Vorgang kann der Justierungsring an jeder beliebigen Drehmomentstufe ausgerichtet sein. Achten Sie darauf, dass Sie einen Einsatz mit einer Hartmetallspitze verwenden. Setzen Sie den Einsatz auf die gewünschte Position des Lochs, und ziehen Sie dann den Auslöseschalter. Verwenden Sie das Werkzeug nicht mit Gewalt. Wenn Sie nur leichten Druck ausüben, erzielen Sie die besten Ergebnisse. Halten Sie das Werkzeug in Position und achten Sie darauf, dass es nicht vom Loch abrutscht. Verstärken Sie den Druck nicht, wenn das Loch durch Holzspäne oder -partikel verstopft ist. Führen Sie stattdessen das Werkzeug im Leerlauf aus, und entfernen Sie dann den Einsatz teilweise aus dem Loch. Wenn Sie diesen Vorgang mehrmals wiederholen, wird das Loch gesäubert, und Sie können die normale Bohrung fortsetzen.

### Ausblasvorrichtung (optionales Zubehör) (Abb. 14)

Wenn Sie das Loch gebohrt haben, entfernen Sie mit Hilfe der Ausblasvorrichtung den Staub aus dem Loch.

### Schraubendreherbetrieb

Schieben Sie den Hebel zum Wechsel der Betriebsart zunächst so, dass er auf die Markierung  zeigt. Stellen

Sie den Justierungsring auf die für Ihre Arbeit geeignete Drehmomentstufe. Gehen Sie anschließend wie folgt vor. Setzen Sie die Spitze des Dreheinsatzes in den Schraubenkopf, und üben Sie Druck auf das Werkzeug aus. Starten Sie das Werkzeug langsam, und erhöhen Sie sie nach und nach die Geschwindigkeit. Lassen Sie die Auslöseschaltung los, sobald die Kupplung greift.

#### HINWEIS:

- Vergewissern Sie sich, dass der Dreheinsatz gerade im Schraubenkopf sitzt. Andernfalls kann die Schraube und/oder der Einsatz beschädigt werden.
- Bohren Sie beim Drehen von Holzschrauben Löcher für die Schrauben vor, damit das Drehen vereinfacht wird und das Werkstück nicht splittet. Siehe Tabelle.


Nennendurchmesser der Holzschraube (mm)	Empfohlene Größe des vorgebohrten Lochs (mm)
3,1	2,0 - 2,2
3,5	2,2 - 2,5
3,8	2,5 - 2,8
4,5	2,9 - 3,2
4,8	3,1 - 3,4
5,1	3,3 - 3,6
5,5	3,6 - 3,9
5,8	4,0 - 4,2
6,1	4,2 - 4,4

#### HINWEIS:

- Wenn das Werkzeug bis zur vollständigen Entladung des Akkus betrieben wurde, lassen Sie es 15 Minuten liegen, bevor Sie mit einem neuen Akku fortfahren.

## Bohrbetrieb

#### ACHTUNG:

- Der Bohrvorgang kann durch übermäßigen Druck auf das Werkzeug nicht beschleunigt werden. Dieser übermäßige Druck beschädigt im Gegenteil die Spitze Ihres Einsatzes, vermindert die Leistung des Werkzeugs und verkürzt die Lebensdauer des Werkzeugs.
  - Beim Lochdurchschlag wirken enorme Kräfte auf das Werkzeug/den Einsatz. Halten Sie das Werkzeug fest, und seien Sie vorsichtig, wenn der Einsatz das Werkstück durchbricht.
  - Ein feststehender Einsatz kann einfach wieder herausgezogen werden, indem die Drehrichtung mit dem Umschalter geändert wird. Es kann jedoch zu einem abrupten Rückschlag des Werkzeugs kommen, wenn Sie es nicht ganz fest halten.
  - Befestigen Sie kleine Werkstücke immer in einem Schraubstock oder einer ähnlichen Haltevorrichtung.
  - Wenn das Werkzeug bis zur vollständigen Entladung des Akkus betrieben wurde, lassen Sie es 15 Minuten liegen, bevor Sie mit einem neuen Akku fortfahren.
- Schieben Sie den Hebel zum Wechsel der Betriebsart zunächst so, dass er auf die Markierung  zeigt. Für diesen Vorgang kann der Justierungsring an jeder beliebigen Drehmomentstufe ausgerichtet sein. Gehen Sie anschließend wie folgt vor.

## Bohren in Holz

Beim Bohren in Holz werden die besten Ergebnisse mit Holzbohrern erzielt, die mit einer Leitspindel ausgestattet sind. Die Leitspindel vereinfacht den Bohrprozess, indem sie den Einsatz in das Werkstück zieht.

## Bohren in Metall

Damit der Bohrer beim Beginn einer Lochbohrung nicht abrutscht, machen Sie mit einem Körner eine Einkerbung, und hämmern Sie auf den Punkt, an dem gebohrt werden soll. Setzen Sie die Spitze des Einsatzes in die Einkerbung, und starten Sie den Bohrvorgang. Verwenden Sie beim Bohren in Metall einen Schneideschmierstoff. Ausgenommen hiervon sind Eisen und Messing; diese Metalle sollten trocken gebohrt werden.

## WARTUNG

### ACHTUNG:

- Schalten Sie das Werkzeug stets aus und entfernen Sie den Akkublock, bevor Sie Inspektionen oder Wartungsarbeiten am Werkzeug vornehmen.

## Ersetzen der Kohlebürsten (Abb. 15)

Ersetzen Sie diese, wenn sie bis zur Grenzmarkierung abgenutzt sind. Halten Sie die Kohlebürsten sauber und sorgen Sie dafür, dass sie locker in den Halterungen liegen.

Beide Kohlebürsten sollten gleichzeitig ersetzt werden. Verwenden Sie nur identische Kohlebürsten.

Entfernen Sie die beiden Schrauben mit einem Schraubendreher, und entfernen Sie dann die hintere Abdeckung. (Abb. 16)

Heben Sie den Federarm, und setzen Sie diesen dann mit der schlanken Spitze eines Schlitzschraubendrehers oder einem ähnlichen Gegenstand in den abgestuften Bereich des Gehäuses. (Abb. 17)

Entfernen Sie die Kohlebürstenkappen der Kohlebürsten mit einer Zange. Entnehmen Sie die verbrauchten Kohlebürsten, legen Sie die neuen ein und bringen Sie die Kohlebürstenkappen in umgekehrter Reihenfolge wieder an. (Abb. 18)

Vergewissern Sie sich, dass die Kohlebürstenkappen fest in den Öffnungen der Bürstenhalter sitzen. (Abb. 19)

Setzen Sie die hintere Abdeckung wieder ein, und ziehen Sie die beiden Schrauben fest an. Um die SICHERHEIT und ZUVERLÄSSIGKEIT des Produkts zu gewährleisten, sollten Reparaturen, Wartungsarbeiten und Einstellungen nur durch von Makita autorisierte Service Center durchgeführt und immer Makita-Ersatzteile verwendet werden.

## ZUBEHÖR

### ACHTUNG:

- Die folgenden Zubehör- und Zusatzteile werden für das in diesem Handbuch beschriebene Makita-Werkzeug empfohlen. Die Verwendung anderer Zubehör- und Zusatzteile kann zu Personenschäden führen. Verwenden Sie Zubehör- und Zusatzteile nur für den vorgesehenen Zweck.

Informationen zu diesem Zubehör erhalten Sie bei einem Makita-Servicecenter in Ihrer Nähe.

- Bohreinsätze

- Schlagbohreinsätze
- Schraubendrehereinsätze
- Ausblasvorrichtung
- Sicherheitsgläser
- Verschiedene Arten von Makita-Originalakkus und Ladegeräten
- Griff-Set
- Tiefenanschlag
- Haken
- Gummipolster-Set
- Wollhaube
- Polierschwamm

## Für Modell BHP444

ENG102-2

### Nur für europäische Länder

#### Geräuschpegel

Typischer A-bewerteter Schallpegel nach EN60745:

Schalldruckpegel ( $L_{pA}$ ): 85 dB (A)

Schalleistungspegel ( $L_{WA}$ ): 96 dB (A)

Abweichung (K): 3 dB (A)

#### Tragen Sie Gehörschutz.

#### Schwingung

ENG203-1

Schwingungsgesamtwerte (Vektorsumme dreier Achsen) nach EN60745-2-1:

Arbeitsmodus: Schlagbohren in Beton

Schwingungsbelastung ( $a_{h,D}$ ): 9 m/s<sup>2</sup>

Abweichung (K): 2 m/s<sup>2</sup>

ENG302-2

Arbeitsmodus: Bohren in Metall

Schwingungsbelastung ( $a_{h,D}$ ): 2,5 m/s<sup>2</sup> oder weniger

Abweichung (K): 1,5 m/s<sup>2</sup>

## Für Modell BHP454

### Nur für europäische Länder

#### Schallpegel

ENG102-2

Typischer A-bewerteter Schallpegel nach EN60745:

Schalldruckpegel ( $L_{pA}$ ): 86 dB (A)

Schalleistungspegel ( $L_{WA}$ ): 97 dB (A)

Abweichung (K): 3 dB (A)

#### Tragen Sie Gehörschutz.

#### Schwingung

ENG203-1

Schwingungsgesamtwerte (Vektorsumme dreier Achsen) nach EN60745-2-1:

Arbeitsmodus: Schlagbohren in Beton

Schwingungsbelastung ( $a_{h,D}$ ): 7,5 m/s<sup>2</sup>

Abweichung (K): 1,5 m/s<sup>2</sup>

ENG302-2

Arbeitsmodus: Bohren in Metall

Schwingungsbelastung ( $a_{h,D}$ ): 2,5 m/s<sup>2</sup> oder weniger

Abweichung (K): 1,5 m/s<sup>2</sup>

## EU-Konformitätserklärung

ENH101-12

### Wir, Makita Corporation als verantwortlicher

### Hersteller, erklären, dass die folgenden Geräte der

### Marke Makita:

Bezeichnung des Geräts: Akku-Schlagbohrschrauber  
Nummer / Typ des Modells: BHP444, BHP454

in Serienfertigung hergestellt werden und  
den folgenden Richtlinien der Europäischen Union  
genügen:

98/37/EC bis 28. Dezember 2009 und 2006/42/EC ab  
dem 29. Dezember 2009

Außerdem werden die Geräte gemäß den folgenden Standards oder Normen gefertigt:

EN60745

Die technische Dokumentation erfolgt durch unseren Bevollmächtigten in Europa:

Makita International Europe Ltd.  
Michigan, Drive, Tongwell,  
Milton Keynes, MK15 8JD, England

30. Januar 2009



Tomoyasu Kato  
Direktor  
Makita Corporation  
3-11-8, Sumiyoshi-cho,  
Anjo, Aichi, JAPAN

**Spiegazione della vista generale**

1. Area rossa	12. Fascia metallica	23. Vite
2. Pulsante	13. Base dell'impugnatura	24. Soffietto a peretta
3. Batteria	14. Impugnatura laterale	25. Indicatore di limite
4. Interruttore	15. Sporgenza	26. Coperchio posteriore
5. Lampada	16. Scanalatura	27. Viti
6. Leva di inversione della rotazione	17. Manicotto	28. Braccio
7. Leva di regolazione della velocità	18. Portapunte	29. Molla
8. Leva per la modifica della modalità di azione	19. Punta	30. Parte incavata
9. Anello di regolazione	20. Asta di regolazione della profondità	31. Protezione della spazzola di carbone
10. Regolazione	21. Vite di serraggio	32. Foro
11. Freccia	22. Gancio	

**CARATTERISTICHE TECNICHE**

Modello		BHP444	BHP454
Capacità	Cemento	14 mm	16 mm
	Metallo	13 mm	13 mm
	Legno	50 mm	65 mm
	Vite per legno	6 mm x 75 mm	10 mm x 89 mm
	Vite per metallo	6 mm	
Velocità senza carico (min <sup>-1</sup> )	Elevata (2)	0 - 1.700	
	Bassa (1)	0 - 400	
Colpi al minuto (min <sup>-1</sup> )	Elevata (2)	0 - 25.500	
	Bassa (1)	0 - 6.000	
Lunghezza totale		243 mm	
Peso netto		2,3 kg	2,4 kg
Tensione nominale		14,4 V CC	18 V CC

- Le caratteristiche tecniche riportate di seguito sono soggette a modifiche senza preavviso a causa del nostro programma continuo di ricerca e sviluppo.
- Le caratteristiche tecniche possono differire da paese a paese.
- Peso, comprensivo di batterie, calcolato in base alla Procedura EPTA 01/2003

**Uso previsto**

ENE039-1

Questo utensile è progettato per la foratura a percussione di mattoni, cemento e pietra, nonché per la foratura di legno, metallo, ceramica e plastica.

**REGOLE SPECIFICHE DI SICUREZZA**

GEB003-4

**NON lasciare che la familiarità acquisita con il prodotto in seguito all'uso ripetuto provochi l'inosservanza delle regole di sicurezza dell'utensile. Se questo utensile viene utilizzato in modo improprio o errato, è possibile subire lesioni personali gravi.**

1. Durante la foratura a percussione è necessario indossare una protezione acustica. L'esposizione al rumore può causare la perdita della capacità uditiva.
2. Utilizzare le maniglie ausiliarie, se fornite con l'attrezzo. La perdita di controllo può provocare lesioni personali.
3. Se vengono eseguite operazioni in cui l'accessorio di taglio può toccare fili nascosti o il cavo di alimentazione dell'utensile, impugnare l'utensile utilizzando i punti di presa isolati. Se

l'accessorio da taglio entra a contatto con un filo percorso da corrente, le parti metalliche esposte dell'utensile si troveranno anch'esse sotto tensione e potrebbero provocare scosse elettriche all'operatore.

4. **Accertarsi sempre di avere un equilibrio stabile. Controllare che nessuno si trovi sotto all'utensile quando lo si utilizza in posizioni elevate.**
5. **Tenere saldamente l'utensile con entrambe le mani.**
6. **Tenere le mani lontano dalle parti rotanti.**
7. **Non lasciare l'utensile acceso. Azionare l'utensile solo dopo averlo impugnato.**
8. **Non toccare la punta o il pezzo in lavorazione subito dopo aver utilizzato l'utensile in quanto possono raggiungere temperature elevate e provocare ustioni.**
9. **Alcuni materiali contengono prodotti chimici che possono essere tossici. Evitare l'inalazione della polvere e il contatto con la pelle. Attenersi alle istruzioni per la sicurezza del fornitore dei materiali.**

## CONSERVARE QUESTE ISTRUZIONI.

### AVVERTENZA:

L'USO IMPROPRIO o la mancata osservanza delle norme di sicurezza contenute in questo manuale può provocare lesioni personali gravi.

## ISTRUZIONI IMPORTANTI PER LA SICUREZZA

ENC007-4

### RELATIVE ALLA BATTERIA

1. Prima di utilizzare la batteria, leggere tutte le istruzioni e gli avvisi di sicurezza relativi a (1) caricabatteria, (2) batteria e (3) prodotto utilizzato con la batteria.
2. Non disassemblare la batteria.
3. Se il tempo di funzionamento è diventato eccessivamente breve, non utilizzare l'utensile. Potrebbero verificarsi surriscaldamenti, ustioni o esplosioni.
4. In caso di contatto dell'elettrolita della batteria con gli occhi, sciacquare con acqua fresca e rivolgersi immediatamente a un medico. Potrebbero verificarsi danni permanenti alla funzionalità visiva.
5. Non cortocircuitare la batteria.
  - (1) Non toccare i terminali della batteria con materiale in grado di condurre elettricità.
  - (2) Evitare di conservare le batterie a contatto con oggetti metallici quali chiodi, monete e così via.
  - (3) Non esporre le batterie all'acqua o alla pioggia. Un cortocircuito può provocare un elevato flusso di corrente, surriscaldamento, ustioni o rotture.
6. Non conservare l'utensile e la batteria a una temperatura superiore a 50 °C (122 °F).
7. Evitare di smaltire le batterie danneggiate o esaurite bruciandole. Se esposte al fuoco, le batterie possono esplodere.
8. Evitare di far cadere o di colpire la batteria.
9. Non utilizzare la batteria se è caduta o ha urtato contro altri oggetti.

## CONSERVARE QUESTE ISTRUZIONI.

### Suggerimenti il prolungamento della durata della batteria

1. Caricare le batterie prima di scaricarle completamente. Se si nota una diminuzione di potenza dell'utensile, interrompere il lavoro e caricare la batteria.
2. Non ricaricare una batteria già completamente carica. In caso contrario, la durata operativa della batteria potrebbe ridursi.
3. Caricare la batteria in ambienti con temperatura compresa tra 10°C e 40°C (50°F - 104°F). Prima di caricare una batteria surriscaldata, lasciarla raffreddare.

## DESCRIZIONE FUNZIONALE

### ATTENZIONE:

- Prima di regolare o controllare le funzioni dell'utensile, verificare sempre di averlo spento e di aver rimosso la batteria.

### Installazione o rimozione della batteria (Fig. 1)

- Prima di inserire o rimuovere la batteria, spegnere sempre l'utensile.
- Per rimuovere la batteria, estrarla dall'utensile facendo scorrere il pulsante sulla parte frontale della batteria.
- Per inserire la batteria, allineare la linguetta sulla batteria con la scanalatura dell'alloggiamento e farla scorrere fino a raggiungere la posizione corretta. Inserire sempre la batteria fino a quando si blocca in posizione con uno scatto. Se l'area rossa del lato superiore del pulsante è ancora visibile, la batteria non è completamente inserita. Inserirla fino a quando l'area rossa non è più visibile. In caso contrario la batteria può fuoriuscire accidentalmente dalla macchina e provocare lesioni all'operatore o a eventuali osservatori.
- Non applicare una forza eccessiva per inserire la batteria. Se la batteria non scorre agevolmente, la manovra di inserimento non è corretta.

### Azionamento dell'interruttore (Fig. 2)

#### ATTENZIONE:

- Prima di inserire la batteria nell'utensile, controllare se l'interruttore funziona correttamente e ritorna alla posizione "SPENTO" una volta rilasciato. Per avviare l'utensile è sufficiente premere l'interruttore. Per aumentare la velocità dell'utensile, aumentare la pressione sull'interruttore. Per spegnerlo rilasciare l'interruttore di accensione.

### Accensione delle lampada frontale (Fig. 3)

#### ATTENZIONE:

- Non osservare direttamente la luce o la fonte luminosa. Per accendere la lampada, azionare l'interruttore. La lampada rimane accesa fino a quando si tiene premuto l'interruttore. La lampada si spegne automaticamente 10-15 secondi dopo aver rilasciato l'interruttore.

#### NOTA:

- Utilizzare un panno asciutto per pulire la lente della lampada.  
Fare attenzione a non graffiare la lente della lampadina per evitare riduzioni dell'intensità luminosa.

### Azionamento della leva di inversione della rotazione (Fig. 4)

Questo utensile è dotato di una leva di inversione che consente di modificare la direzione di rotazione. Premere la leva di inversione dal lato "A" se si desidera una rotazione in senso orario, dal lato "B" se si desidera una rotazione in senso antiorario. Quando la leva di inversione si trova nella posizione centrale è impossibile azionare l'interruttore.

#### **ATTENZIONE:**

- Prima di azionare l'utensile, controllare sempre la direzione di rotazione impostata.
- Utilizzare la leva di inversione solo quando l'utensile è completamente fermo. Modificare la direzione di rotazione prima dell'arresto può danneggiare l'utensile.
- Se non si utilizza l'utensile, posizionare sempre la leva di inversione nella posizione centrale.

#### **Modifica della velocità (Fig. 5)**



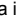
Per modificare la velocità, spegnere l'utensile e far scorrere la leva di regolazione sulla posizione "2" se si desidera una velocità elevata o sulla posizione "1" se si desidera una velocità minore. Prima di azionare l'utensile, accertarsi di aver selezionato la velocità corretta. Utilizzare la velocità più adatta al lavoro da eseguire.

#### **ATTENZIONE:**




- Posizionare accuratamente la leva di regolazione della velocità sulla posizione corretta. Se si aziona l'utensile mentre la leva di regolazione si trova in una posizione intermedia tra "1" e "2", l'utensile potrebbe essere danneggiato.
- Non utilizzare la leva di commutazione della velocità mentre si utilizza l'utensile. L'uso in tali condizioni può danneggiare l'utensile.

#### **Selezione della modalità operativa (Fig. 6)**

Questo utensile dispone di una leva che consente di modificare la modalità operativa. Selezionare con la leva la modalità operativa più appropriata per il lavoro da eseguire.

Per selezionare la foratura semplice, far scorrere la leva fino a quando indica il simbolo  sul corpo dell'utensile. Per selezionare la foratura con percussione, far scorrere la leva fino a quando indica il simbolo  sul corpo dell'utensile. Per selezionare la foratura con frizione, far scorrere la leva fino a quando indica il simbolo  sul corpo dell'utensile.

#### **NOTA:**

- Quando si passa dalla posizione "  " alla posizione "  ", lo scorrimento della leva di modifica della modalità operativa potrebbe essere difficoltoso. In questo caso, impostare la leva sulla posizione "  ", accendere e azionare l'utensile per un secondo, quindi spegnere l'utensile e impostare la posizione desiderata.

#### **ATTENZIONE:**

- Impostare sempre l'anello in corrispondenza della posizione desiderata. Se si aziona l'utensile mentre la leva si trova in una posizione intermedia tra due modalità, l'utensile potrebbe essere danneggiato.

#### **Regolazione della coppia di serraggio (Fig. 7)**

È possibile regolare la coppia di serraggio su 16 posizioni ruotando l'anello di regolazione fino ad allineare la posizione desiderata con la freccia presente sul corpo dell'utensile. La coppia di serraggio è minima quando la freccia si trova in corrispondenza del numero 1 e massima quando si trova in corrispondenza del numero 16.

Prima di iniziare il lavoro, avvitare una vite nel materiale da utilizzare o in un pezzo di materiale identico per

individuare il livello di coppia più appropriato per la specifica esigenza.

## **MONTAGGIO**

#### **ATTENZIONE:**

- Prima di eseguire qualsiasi operazione sull'utensile, verificare sempre di averlo spento e di aver rimosso la batteria.

#### **Installazione dell'impugnatura laterale ausiliaria (Fig. 8)**

Utilizzare sempre l'impugnatura laterale per operare in sicurezza.

Inserire l'impugnatura laterale in modo che le sporgenze sulla base dell'impugnatura e sulla fascia metallica si inseriscano tra le scanalature sul portautensili. Serrare l'impugnatura ruotandola in senso orario.

#### **Installazione o rimozione della punta da trapano o da avvitatura (Fig. 9)**

Ruotare il manicotto in senso antiorario per aprire le griffe del mandrino. Inserire completamente la punta nel mandrino. Ruotare il manicotto in senso orario per serrare il mandrino.

Per rimuovere la punta, ruotare il manicotto in senso antiorario.

#### **Installazione del portapunte (Fig. 10)**

Inserire il portapunte nella sporgenza presente sulla base dell'utensile, a destra o a sinistra, e fissarlo con una vite. Quando non si utilizza la punta è possibile riporla nel portapunte.

Il portapunte consente di alloggiare punte lunghe 45 mm.

#### **Asta di regolazione della profondità (Fig. 11)**

L'asta consente di eseguire fori di profondità uniforme. Allentare la vite di serraggio, impostare la posizione desiderata, quindi stringere la vite di serraggio.

#### **Gancio (Fig. 12)**

Il gancio è utile per appendere temporaneamente l'utensile.

Può essere installato su entrambi i lati dell'utensile. Per installare il gancio, inserirlo in una delle scanalature presenti su ambo i lati dell'alloggiamento dell'utensile e fissarlo con una vite.

Per rimuovere il gancio, allentare la vite ed estrarlo.


## **FUNZIONAMENTO**

#### **Foratura con percussione (Fig. 13)**

#### **ATTENZIONE:**

- Quando la foratura è al termine, quando il foro è ostruito da frammenti e schegge o quando la punta colpisce i tondini di metallo incorporati nel cemento, la punta e lo strumento sono soggetti a una forza di torsione di notevole intensità. Durante il funzionamento, tenere sempre l'utensile utilizzando sia l'impugnatura con l'interruttore sia la maniglia ausiliaria laterale. In caso contrario è possibile perdere il


controllo dell'utensile e incorrere nel rischio di gravi lesioni personali.

Far scorrere innanzitutto la leva di modifica della modalità operativa sulla posizione contrassegnata dal simbolo . Per questa modalità operativa l'anello può essere allineato su uno qualsiasi dei livelli di coppia. Utilizzare sempre punte con estremità in carburo di tungsteno. Collocare la punta nella posizione desiderata per il foro, quindi premere l'interruttore. Non forzare l'utensile. Una pressione lieve produce i risultati migliori. Mantenere l'utensile in posizione e impedire che la punta fuoriesca dal foro. Non aumentare la pressione quando il foro è ostruito da frammenti o schegge. Al contrario, azionare l'utensile alla velocità minima, quindi rimuovere parzialmente la punta dal foro. Ripetere l'operazione più volte fino a quando il foro risulta sgombro ed è possibile riprendere la foratura.

### Soffietto a peretta (accessorio opzionale) (Fig. 14)

Al termine della foratura, utilizzare il soffietto a peretta per ripulire il foro dalla polvere.

### Avvitatura

Far scorrere innanzitutto la leva di modifica della modalità operativa sulla posizione contrassegnata dal simbolo . Impostare con l'anello di regolazione il livello di coppia appropriato per la specifica esigenza. Procedere come indicato di seguito.

Inserire l'estremità della punta nella testa della vite e applicare una pressione all'utensile. Avviare lentamente l'utensile e aumentare gradualmente la velocità. Appena la frizione entra in azione, rilasciare l'interruttore.

#### NOTA:

- Accertarsi di aver inserito la punta correttamente nella testa della vite. In caso contrario la punta o la vite potrebbero danneggiarsi.
- Quando si avvitano viti per legno, eseguire preforature per rendere più agevole il lavoro ed evitare fenditure nel pezzo in lavorazione. Vedere la tabella riportata di seguito.

Diametro nominale della vite per legno (mm)	Dimensione consigliata per la preforatura (mm)
3,1	2,0 - 2,2
3,5	2,2 - 2,5
3,8	2,5 - 2,8
4,5	2,9 - 3,2
4,8	3,1 - 3,4
5,1	3,3 - 3,6
5,5	3,6 - 3,9
5,8	4,0 - 4,2
6,1	4,2 - 4,4


#### NOTA:

- Se si utilizza continuativamente l'utensile fino al completo scaricamento della batteria, attendere 15 minuti prima di continuare a utilizzarlo con una nuova batteria.

## Foratura

#### ATTENZIONE:

- Se si applica una pressione eccessiva sull'utensile non si accelera la foratura. Al contrario, una pressione eccessiva può danneggiare l'estremità della punta, diminuire l'efficacia dell'utensile e abbreviare la durata operativa.
- Quando la foratura è al termine, l'utensile e la punta sono soggetti a una forza molto intensa. Impugnare saldamente l'utensile e prestare particolare attenzione quando il foro è quasi completato.
- Per rimuovere una punta inceppata è sufficiente invertire il senso di rotazione dell'utensile ed azionarlo brevemente. Tuttavia, se non si impugna saldamente l'utensile, questo potrebbe arretrare improvvisamente.
- Fissare sempre i pezzi in lavorazione di piccole dimensioni utilizzando una morsa o un dispositivo simile.
- Se si utilizza continuativamente l'utensile fino al completo scaricamento della batteria, attendere 15 minuti prima di continuare a utilizzarlo con una nuova batteria.

Far scorrere innanzitutto la leva di modifica della modalità operativa sulla posizione contrassegnata dal simbolo . Per questa modalità operativa l'anello può essere allineato su uno qualsiasi dei livelli di coppia. Procedere come indicato di seguito.

#### Foratura di legno

In questo caso, per ottenere i risultati migliori è consigliabile utilizzare punte da legno dotate di una vite di guida. Quest'ultima agevola la foratura perché guida la punta nel pezzo in lavorazione.

#### Foratura di metallo

Per impedire lo slittamento della punta all'inizio della foratura, utilizzare un punzone per centri e un martello per creare una cavità nella posizione in cui eseguire il foro. Collocare l'estremità della punta nella cavità e iniziare la foratura. Se si forano metalli, utilizzare un lubrificante per taglio. Ferro e ottone devono invece essere forati a secco.

## MANUTENZIONE

#### ATTENZIONE:

- Prima di effettuare controlli o operazioni di manutenzione, verificare sempre di aver spento l'utensile e di aver rimosso la batteria.

### Sostituzione delle spazzole di carbone (Fig. 15)

Sostituire le spazzole quando sono consumate fino al limite indicato. Mantenere le spazzole di carbone pulite e libere per farle slittare nei supporti.

Entrambe le spazzole di carbone devono essere sostituite contemporaneamente. Utilizzare solo spazzole di carbone identiche.

Rimuovere le viti che fissano il coperchio posteriore con un cacciavite e asportare il coperchio. (Fig. 16)

Sollevarlo il braccio della molla e collocarlo nella parte incavata dell'alloggiamento utilizzando un cacciavite ad asta sottile con punta a taglio o uno strumento analogo. (Fig. 17)



Utilizzare le pinze per estrarre i coperchi delle spazzole di carbone. Estrarre le spazzole di carbone consumate, inserire le nuove spazzole e collocare nuovamente in posizione i coperchi. **(Fig. 18)**  
Accertarsi di aver inserito correttamente i coperchi nei fori dei portaspazzole. **(Fig. 19)**  
Reinstallare il coperchio posteriore e fissare saldamente le due viti. Per mantenere la SICUREZZA e l’AFFIDABILITÀ del prodotto, le riparazioni e qualsiasi altra operazione di manutenzione o regolazione devono essere eseguiti dai centri di assistenza autorizzati Makita utilizzando sempre parti di ricambio Makita.

## ACCESSORI

### ATTENZIONE:

- Questi accessori sono suggeriti per l’uso con l’utensile Makita descritto in questo manuale. L’uso di qualsiasi altro accessorio può causare rischi di lesioni personali. Utilizzare gli accessori esclusivamente per l’uso dichiarato.

Per l’assistenza e ulteriori informazioni su tali accessori, rivolgersi al centro di assistenza Makita più vicino.

- Punte per foratura
- Punte per trapano a percussione
- Punte per viti
- Soffietto a peretta
- Occhiali di sicurezza
- Numerosi modelli di batterie e caricabatteria originali Makita
- Gruppo impugnatura
- Asta di regolazione della profondità
- Gancio
- Platorello in gomma
- Cuffia in lana
- Tampone per lucidatura

### Per il modello BHP444 Solo per i paesi europei

ENG102-2

#### Rumorosità

Il tipico livello di rumore ponderato “A” è determinato in conformità con la norma EN60745:

Livello di pressione sonora ( $L_{pA}$ ): 85 dB (A)

Livello di potenza sonora ( $L_{WA}$ ): 96 dB (A)

Variazione (K): 3 dB (A)

#### Indossare una protezione acustica.

### Vibrazione

ENG203-1

Il valore totale della vibrazione (somma vettoriale triassiale) è determinato in conformità con la norma EN60745-2-1:

Modalità di lavoro: foratura a percussione del cemento

Emissione di vibrazioni ( $a_{h,1D}$ ): 9 m/s<sup>2</sup>

Variazione (K): 2 m/s<sup>2</sup>

ENG302-2

Modalità di lavoro: foratura metallo

Emissione di vibrazioni ( $a_{h,D}$ ): 2,5 m/s<sup>2</sup> o inferiore

Variazione (K): 1,5 m/s<sup>2</sup>

### Per il modello BHP454

#### Solo per i paesi europei

#### Rumore

ENG102-2

Il tipico livello di rumore ponderato “A” è determinato in conformità con la norma EN60745:

Livello di pressione sonora ( $L_{pA}$ ): 86 dB (A)

Livello di potenza sonora ( $L_{WA}$ ): 97 dB (A)

Variazione (K): 3 dB (A)

#### Indossare una protezione acustica.

### Vibrazione

ENG203-1

Il valore totale della vibrazione (somma vettoriale triassiale) è determinato in conformità con la norma EN60745-2-1:

Modalità di lavoro: foratura a percussione del cemento

Emissione di vibrazioni ( $a_{h,1D}$ ): 7,5 m/s<sup>2</sup>

Variazione (K): 1,5 m/s<sup>2</sup>

ENG302-2

Modalità di lavoro: foratura metallo

Emissione di vibrazioni ( $a_{h,D}$ ): 2,5 m/s<sup>2</sup> o inferiore

Variazione (K): 1,5 m/s<sup>2</sup>

### Dichiarazione di conformità CE

ENH101-12

#### Makita Corporation, in qualità di produttore responsabile, dichiara che gli utensili Makita indicati di seguito:

Denominazione dell’utensile: Trapano avvitatore a batterie con percussione

N. modello /Tipo: BHP444, BHP454

appartengono a una produzione in serie e

#### sono conformi alle seguenti direttive europee:

98/37/CE fino al 28 dicembre 2009 e 2006/42/CE a partire dal 29 dicembre 2009

Sono inoltre prodotti in conformità con gli standard o i documenti standardizzati riportati di seguito:

EN60745

La documentazione tecnica viene conservata dal rappresentante autorizzato Makita in Europa, ovvero:

Makita International Europe Ltd,

Michigan, Drive, Tongwell,

Milton Keynes, MK15 8JD, Inghilterra

30 gennaio 2009



Tomoyasu Kato  
Direttore

Makita Corporation  
3-11-8, Sumiyoshi-cho,  
Anjo, Aichi, JAPAN

**Verklaring van het onderdelenoverzicht**

- |                               |                               |                         |
|-------------------------------|-------------------------------|-------------------------|
| 1. Rode deel                  | 12. Metalen klemband          | 23. Schroef             |
| 2. Knop                       | 13. Basis van de zijhandgreep | 24. Luchtblazer         |
| 3. Accu                       | 14. Zijhandgreep              | 25. Slijtgrensmarkering |
| 4. Aan/uit-schakelaar         | 15. Uitsteeksel               | 26. Achterkap           |
| 5. Lamp                       | 16. Groef                     | 27. Schroeven           |
| 6. Omkeerschakelaar           | 17. Mof                       | 28. Arm                 |
| 7. Snelheidsinstelknop        | 18. Bithouder                 | 29. Veer                |
| 8. Werkingsfunctie-instelknop | 19. Bit                       | 30. Verdiept gedeelte   |
| 9. Instelring                 | 20. Dieptegeleider            | 31. Koelborstelkap      |
| 10. Schaalverdeling           | 21. Klenschroef               | 32. Opening             |
| 11. Pijlpunt                  | 22. Haak                      |                         |

**TECHNISCHE GEGEVENS**

Model		BHP444	BHP454
Capaciteiten	Beton	14 mm	16 mm
	Metaal	13 mm	13 mm
	Hout	50 mm	65 mm
	Houtschroef	6 mm x 75 mm	10 mm x 89 mm
	Machineschroef	6 mm	
Onbelaste snelheid (min <sup>-1</sup> )	Hoog (2)	0 - 1.700	
	Laag (1)	0 - 400	
Aantal slagen (min <sup>-1</sup> )	Hoog (2)	0 - 25.500	
	Laag (1)	0 - 6.000	
Totale lengte		243 mm	
Netto gewicht		2,3 kg	2,4 kg
Nominale spanning		14,4 V gelijkstroom	18 V gelijkstroom

- Als gevolg van ons doorlopende onderzoeks- en ontwikkelingsprogramma, zijn de technische gegevens van dit gereedschap onderhevig aan veranderingen zonder voorafgaande kennisgeving.
- De technische gegevens kunnen van land tot land verschillen.
- Gewicht, inclusief de accu, volgens de EPTA-procedure 01/2003

**Gebruiksdoelinden** ENE039-1

Het gereedschap is bedoeld voor hamerboren in baksteen, beton en steen, en tevens voor boren zonder slagwerking in hout, metaal, keramiek en kunststof.

**SPECIFIEKE VEILIGHEIDSVORSCHRIFTEN**

GEB003-4

Laat u NIET misleiden door een vals gevoel van comfort en bekendheid met het gereedschap (na veelvuldig gebruik) en neem alle veiligheidsvoorschriften van de boorhamer altijd strikt in acht. Bij onveilig of verkeerd gebruik van het elektrisch gereedschap, bestaat de kans op ernstig persoonlijk letsel.

1. **Draag gehoorbescherming tijdens het hamerboren.** Blootstelling aan harde geluiden kan leiden tot gehoorbeschadiging.
2. **Gebruik de hulphandgrepen, als deze bij het gereedschap werden geleverd.** Als u de controle over het gereedschap verliest, kan dit leiden tot persoonlijk letsel.
3. **Houd elektrisch gereedschap vast aan het geïsoleerde oppervlak van de handgrepen**

**wanneer u werkt op plaatsen waar het bitaccessoire met verborgen bedrading of zijn eigen snoer in aanraking kan komen.** Wanneer het booraccessoire in aanraking komen met onder spanning staande draden, zullen de niet-geïsoleerde metalen delen van het gereedschap onder spanning komen te staan zodat de gebruiker een elektrische schok kan krijgen.

4. **Zorg er altijd voor dat u stevig staat.** Zorg ervoor dat er niemand zich onder u bevindt wanneer u het gereedschap op een hoge plaats gebruikt.
5. **Houd het gereedschap met beide handen stevig vast.**
6. **Houd uw handen uit de buurt van draaiende delen.**
7. **Laat het gereedschap niet ingeschakeld liggen.** Bedien het gereedschap alleen wanneer u het vasthoudt.
8. **Raak de bit en het werkstuk niet onmiddellijk na gebruik aan.** Zij kunnen bijzonder heet zijn en brandwonden op uw huid veroorzaken.
9. **Sommige materialen bevatten chemische stoffen die giftig kunnen zijn.** Neem voorzorgsmaatregelen tegen het inademen van

stof en contact met de huid. Volg de veiligheidsinstructies van de leverancier van het materiaal op.

## BEWAAR DEZE INSTRUCTIES.

### WAARSCHUWING:

**VERKEERD GEBRUIK** of het niet volgen van de veiligheidsinstructies in deze gebruiksaanwijzing kan leiden tot ernstig persoonlijk letsel.

## BELANGRIJKE VEILIGHEIDSinSTRUCTIES ENC007-4

### VOOR ACCU'S

1. Alvorens de accu in gebruik te nemen, leest u eerst alle instructies en waarschuwingsopdrachten op (1) de acculader, (2) de accu en (3) het apparaat waarin de accu wordt aangebracht.
2. Haal de accu niet uit elkaar.
3. Als de gebruikstijd aanzienlijk korter is geworden, stopt u onmiddellijk met het gebruik. Anders kan dit leiden tot kans op oververhitting, mogelijke brandwonden en zelfs een explosie.
4. Als de elektrolyt in uw ogen komt, wast u deze uit met schoon water en raadpleegt u onmiddellijk een arts. Dit kan leiden tot verlies van gezichtsvermogen.
5. Sluit de accu niet kort:
  - (1) Raak de accupolen niet aan met enig geleidend materiaal.
  - (2) Bewaar de accu niet op een plaats waar deze in aanraking kan komen met andere metalen voorwerpen, zoals spijkers, munten, enz.
  - (3) Stel de accu niet bloot aan water of regen. Kortsluiting van de accu kan leiden tot een hoge stroomsterkte, oververhitting, mogelijke brandwonden en zelfs een defect.
6. Bewaar het gereedschap en de accu niet op plaatsen waar de temperatuur kan oplopen tot 50 °C of hoger.
7. Werp de accu niet in een vuur, zelfs niet als deze al ernstig beschadigd of helemaal versleten is. De accu kan in een vuur exploderen.
8. Wees voorzichtig dat u de accu niet laat vallen of ergens tegenaan stoot.
9. Gebruik een accu die is gevallen of gestoten niet meer.

## BEWAAR DEZE INSTRUCTIES

### Tips voor een lange levensduur van de accu

1. Laad de accu op voordat deze volledig leeg is. Wanneer u merkt dat het gereedschap minder vermogen heeft, stopt u met het gebruik ervan en laadt u eerst de accu op.
2. Laad nooit een volledig opgeladen accu op. Te lang opladen verkort de levensduur van de accu.

3. Laad de accu op bij een omgevingstemperatuur van 10 °C t/m 40 °C. Laat een warme accu eerst afkoelen voordat u deze oplaadt.

## BESCHRIJVING VAN DE FUNCTIES

### LET OP:

- Controleer altijd of het gereedschap is uitgeschakeld en de accu is verwijderd alvorens de functies van het gereedschap te controleren of af te stellen.

### De accu aanbrengen en verwijderen (zie afb. 1)

- Schakel het gereedschap altijd uit voordat u de accu aanbrengt of verwijdert.
- Om de accu te verwijderen verschuift u de knop aan de voorkant van de accu en trekt u tegelijkertijd de accu uit het gereedschap.
- Om de accu aan te brengen lijnt u de lip op de accu uit met de groef in de behuizing en duwt u de accu op zijn plaats. Steek de accu zo ver mogelijk in het gereedschap tot u een klinkgeluid hoort. Als u het rode deel aan de bovenkant van de knop kunt zien, is de accu niet goed aangebracht. Steek de accu zo ver mogelijk erin tot het rode deel niet meer zichtbaar is. Als u dit niet doet, kan de accu per ongeluk uit het gereedschap vallen en u of anderen in uw omgeving verwonden.
- Oefen geen grote kracht uit bij het aanbrengen van de accu. Als de accu niet gemakkelijk in het gereedschap kan worden gestoken, wordt deze niet goed aangebracht.

### Aan/uit-schakelaar (zie afb. 2)

### LET OP:

- Controleer altijd, voordat u de accu in het gereedschap steekt, of de aan/uit-schakelaar op de juiste manier schakelt en weer terugkeert naar de uit-stand nadat deze is losgelaten.

Om het gereedschap in te schakelen, knijpt u gewoon de aan/uit-schakelaar in. De draaisnelheid van het gereedschap neemt toe naarmate u meer druk uitoefent op de aan/uit-schakelaar. Laat de aan/uit-schakelaar los om het gereedschap te stoppen

### De lamp op de voorkant inschakelen (zie afb. 3)

### LET OP:

- Kijk niet rechtstreeks in het licht of naar de bron van de lamp.

Knijp de aan/uit-schakelaar in om de lamp op de voorkant in te schakelen. De lamp blijft branden zolang u de aan/uit-schakelaar ingeknepen houdt. De lamp gaat 10 tot 15 seconden nadat u de aan/uit-schakelaar hebt losgelaten uit.

### OPMERKING:

- Gebruik een doek om het vuil van de lens van de lamp te vegen. Wees voorzichtig de lens van de lamp niet te bekrassen om de lichtopbrengst niet te verlagen.

## Werking van de omkeerschakelaar (zie afb. 4)

Dit gereedschap is uitgerust met een omkeerschakelaar waarmee u de draairichting kunt omkeren. Druk op de omkeerschakelaar vanaf kant "A" voor de draairichting rechtsom, of vanaf kant "B" voor de draairichting linksom. Wanneer de omkeerschakelaar in de middenstand staat, kunt u de aan/uit-schakelaar niet inknippen.

### LET OP:

- Controleer altijd de draairichting alvorens het gereedschap te gebruiken.
- Gebruik de omkeerschakelaar alleen nadat het gereedschap volledig tot stilstand is gekomen. Als u de draairichting verandert voordat het gereedschap volledig stilstaat, kan het gereedschap worden beschadigd.
- Als u het gereedschap niet gebruikt, zet u de omkeerschakelaar altijd in de middenstand.

## De draaisnelheid veranderen (zie afb. 5)

Om de draaisnelheid van het gereedschap te veranderen, schakelt u eerst het gereedschap uit en verschuift u daarna de snelheidsinstelknop naar stand "2" voor een hoge draaisnelheid, of naar stand "1" voor een lage draaisnelheid. Zorg ervoor dat de snelheidsinstelknop in de juiste stand staat alvorens het gereedschap te bedienen. Gebruik de juiste draaisnelheid voor uw klus.

### LET OP:


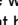

- Zet de snelheidsinstelknop altijd volledig in de gewenste stand. Als u het gereedschap bedient terwijl de snelheidsinstelknop halverwege de standen "1" en "2" staat, kan het gereedschap worden beschadigd.
- Bedien de snelheidsinstelknop niet terwijl het gereedschap draait. Het gereedschap kan hierdoor worden beschadigd.

## De werkingsfunctie kiezen (zie afb. 6)

Dit gereedschap is uitgerust met een werkingsfunctie-instelknop. Kies met deze instelknop uit de drie beschikbare werkingsfuncties degene die het meest geschikt is voor uw klus.

Voor alleen ronddraaien, verschuift u de instelknop zodat deze uitgelijnd is met het symbool  op het gereedschap. Voor ronddraaien met slagwerking, verschuift u de instelknop zodat deze uitgelijnd is met het symbool  op het gereedschap. Voor ronddraaien met slipkoppeling, verschuift u de instelknop zodat deze uitgelijnd is met het symbool  op het gereedschap.

### OPMERKING:

- Wanneer u de stand verandert van "" naar "", kan het een enigszins moeilijk zijn de werkingsfunctie-instelknop te verschuiven. Als dat het geval is, verschuift u de werkingsfunctie-instelknop naar de stand "" en schakelt u het gereedschap eventjes in. Schakel vervolgens het gereedschap uit en verschuift de werkingsfunctie-instelknop naar de gewenste stand.

### LET OP:

- Stel de instelknop altijd in op het symbool van de juiste stand voor uw klus. Als u het gereedschap bedient met de instelknop ingesteld tussen twee werkingsfunctiesymbolen in, kan het gereedschap worden beschadigd.

## Het draaikoppel instellen (zie afb. 7)

Het draaikoppel kan in 16 stappen worden ingesteld door de instelring te draaien zodat de gewenste stand op de schaalverdeling is uitgelijnd met de pijlpunt op de behuizing van het gereedschap. Het draaikoppel is minimaal wanneer stand 1 is uitgelijnd met de pijlpunt, en maximaal wanneer het symbool is uitgelijnd met de pijlpunt.

Bepaal het juiste draaikoppelniveau door bij wijze van proef een schroef in het materiaal of een stuk gelijkwaardig materiaal te draaien, alvorens het gereedschap voor de daadwerkelijke klus te gebruiken.

## ONDERDELEN AANBRENGEN/ VERWIJDEREN

### LET OP:

- Controleer altijd of het gereedschap is uitgeschakeld en de accu is verwijderd alvorens enige werkzaamheden aan het gereedschap te verrichten.

## De zijhandgreep monteren (extra handgreep) (zie afb. 8)

Gebruik altijd de zijhandgreep zodat u veilig kunt werken. Plaats de zijhandgreep zodanig over de kop van het gereedschap dat de uitsteeksels op de basis van de zijhandgreep en metalen klemband in de groeven van het gereedschap passen. Draai daarna de zijhandgreep vast door deze rechtsom te draaien.

## Het schroefbit of boorbit aanbrengen en verwijderen (zie afb. 9)

Draai de mof linksom om de klauwen in de spankop te openen. Steek het bit zo ver mogelijk in de spankop. Draai de mof rechtsom om de spankop te sluiten. Om het bit te verwijderen, draait u de mof linksom.

## De bithouder aanbrengen (zie afb. 10)

Pas de bithouder in de uitsparingen op de linker- of rechterzijkant van de voet van het gereedschap en zet deze vast met een schroef.

Wanneer u een bit niet gebruikt, klemt u deze in de bithouder.

U kunt hierin bits van 45 mm lengte bewaren.

## Instelbare dieptegeleider (zie afb. 11)

De instelbare dieptegeleider wordt gebruikt om gaten te boren van dezelfde diepte. Draai de klemschroef los, stel de dieptegeleider in op de gewenste boordiepte en draai de klemschroef weer vast.

## Haak (zie afb. 12)

De haak is handig om het gereedschap tijdelijk aan op te hangen.

De haak kan aan beide kanten van het gereedschap worden bevestigd.

U bevestigt de haak door deze in een groef in de behuizing van het gereedschap te steken en vast te zetten met een schroef.


Om de haak te verwijderen, draait u de schroef los en haalt u de haak van het gereedschap af.

# BEDIENING

## Gebruik als boorhamer (zie afb. 13)

### LET OP:


- Op het moment dat het boorgat doorbreekt, het boorgat verstopt raakt met steentjes of gruis, of de boorkamer de bewapening in het beton raakt wordt een enorme kracht uitgeoefend op het gereedschap/bit. Gebruik altijd de zijhandgreep (hulphandgreep) en houd het gereedschap tijdens gebruik stevig vast aan zowel de zijhandgreep als de hoofdhandgreep. Als u dit niet doet, kan u de controle over het gereedschap verliezen en mogelijk ernstig letsel veroorzaken.

Verschuif eerst de werkingsfunctie-instelknop naar de stand met het symbool . De instelring kan bij deze werkingsfunctie worden ingesteld op ieder draaikoppelniveau. Zorg ervoor dat u een bit met een hardmetalen punt gebruikt. Plaats het bit op het punt waar u wilt boren en knijp de aan/uit-schakelaar in. Duw niet te hard tegen het gereedschap. U verkrijgt het beste resultaat door licht te duwen. Houd het gereedschap op zijn plaats en voorkom dat het tijdens het boren wegglijdt. Duw niet harder tegen het gereedschap wanneer het boorgat verstopt raakt met steentjes of gruis. Laat daarentegen het gereedschap langzaam draaien en haal het bit gedeeltelijk uit het boorgat. Door deze handeling meerder malen te herhalen, wordt het boorgat leeggehaald en kan het normaal boren worden hervat.

## Luchtblazer (los verkrijgbaar) (zie afb. 14)

Gebruik na het boren de luchtblazer om het stof uit het boorgat te blazen.

## Gebruik als schroevendraaier

Verschuif eerst de werkingsfunctie-instelknop naar de stand met het symbool . Stel de instelring in op het juiste draaikoppelniveau voor uw klus. Ga daarna als volgt te werk.

Plaats de punt van het schroefbit in de schroefkop en oefen druk uit op het gereedschap. Start het gereedschap op lage snelheid en voer vervolgens de snelheid geleidelijk op. Laat de aan/uit-schakelaar los zodra de koppeling begint te slippen.

### OPMERKING:

- Zorg ervoor dat het schroefbit recht op de schroefkop staat omdat anders de schroef en/of het bit kunnen worden beschadigd.
- Bij het schroeven van houtschroeven moet u de boorgaten voorboren om het schroeven te vergemakkelijken en te voorkomen dat het werkstuk splijt. Zie de tabel.

Nominale diameter van houtschroef (mm)	Aanbevolen diameter vorgeboord gat (mm)
3,1	2,0 - 2,2
3,5	2,2 - 2,5
3,8	2,5 - 2,8
4,5	2,9 - 3,2
4,8	3,1 - 3,4
5,1	3,3 - 3,6
5,5	3,6 - 3,9
5,8	4,0 - 4,2
6,1	4,2 - 4,4


### OPMERKING:

- Als het gereedschap continu wordt bediend totdat de accu leeg is, laat u het gereedschap gedurende 15 minuten liggen alvorens verder te werken met een volle accu.

## Gebruik als boor

### LET OP:

- Het boren zal niet sneller verlopen als u hard op het gereedschap drukt. In feite zal dergelijk duwen alleen maar leiden tot beschadiging van het bit, verlagen van de prestaties van het gereedschap, en verkorten van de levensduur van het gereedschap.
- Op het moment dat het boorgat doorbreekt wordt een enorme kracht uitgeoefend op het gereedschap/bit. Houd het gereedschap stevig vast en let goed op wanneer het bit door het werkstuk breekt.
- Een vastgelopen bit kan eenvoudigweg worden verwijderd door de omkeerschakelaar in de stand voor achteruitdraaien te zetten om het bit te verwijderen. Het gereedschap kan echter plotseling achteruit komen als u het niet stevig vasthoudt.
- Zet kleine werkstukken altijd vast in een bankschroef of soortgelijk bevestigingsmiddel.
- Als het gereedschap continu wordt bediend totdat de accu leeg is, laat u het gereedschap gedurende 15 minuten liggen alvorens verder te werken met een volle accu.

Verschuif eerst de werkingsfunctie-instelknop naar de stand met het symbool . De instelring kan bij deze werkingsfunctie worden ingesteld op ieder draaikoppelniveau. Ga daarna als volgt te werk.

### Boren in hout

Bij het boren in hout verkrijgt u de beste resultaten met houtboren voorzien van een geleideschroef. De geleideschroef zorgt ervoor dat het boren gemakkelijker verloopt door het bit in het werkstuk te trekken.

### Boren in metaal

Om te voorkomen dat bij het beginnen van het boren het bit wegglijdt, maakt u een putje met een centerpons en hamer op het punt waar u wilt boren. Plaats de punt van het bit in het putje en begin te boren. Gebruik bij het boren in metaal een snijolie als smeermiddel. De uitzonderingen hierop zijn ijzer en messing, die droog moeten worden geboord.

# ONDERHOUD

## LET OP:

- Zorg er altijd voor dat de machine is uitgeschakeld en de accu is verwijderd, voordat u een inspectie of onderhoud uitvoert.

## De koolborstels vervangen (zie afb. 15)

Vervang deze wanneer ze tot aan de slijtgrensmarkering zijn afgesleten. Houd de koolborstels schoon en zorg ervoor dat ze vrij kunnen bewegen in de houders.

Beide koolborstels dienen tegelijkertijd te worden vervangen. Gebruik alleen identieke koolborstels.

Verwijder met behulp van een schroevendraaier de twee schroeven en vervolgens de achterkap. (Zie afb. 16)

Til de arm van de veer op en plaats deze vervolgens in het verdiepte deel van de behuizing met behulp van een platkopschroevendraaier, een dunne steel, of iets dergelijks. (zie afb. 17)

Verwijder de koolborstelkap van de koolborstels met behulp van een tang. Haal de versleten koolborstels eruit, plaats de nieuwe erin, en plaats de koolborstelkappen in omgekeerde volgorde terug. (zie afb. 18)

Zorg ervoor dat iedere koolborstelkap goed in de opening in de borstelhouder valt. (zie afb. 19)

Plaats de achterkap terug en draai de twee schroeven stevig aan. Om de VEILIGHEID en

BETROUWBAARHEID van het gereedschap te handhaven, dienen alle reparaties, onderhoud en afstellingen te worden uitgevoerd door een erkend Makita-servicecentrum, en altijd met gebruikmaking van originele Makita-vervangingsonderdelen.

# ACCESSOIRES

## LET OP:

- Deze accessoires of hulpstukken worden aanbevolen voor gebruik met het Makita-gereedschap dat in deze gebruiksaanwijzing wordt beschreven. Het gebruik van andere accessoires of hulpstukken kan gevaar voor persoonlijk letsel opleveren. Gebruik de accessoires of hulpstukken uitsluitend voor de aangegeven gebruiksdoeleinden.

Mocht u meer informatie willen hebben over deze accessoires, dan kunt u contact opnemen met uw plaatselijke Makita-servicecentrum.

- Boorbits
- Boorhamerbits
- Schroefbits
- Luchtblazer
- Veiligheidsbril
- Diverse types originele Makita-accu's en laders
- Zijhandgreep, compleet
- Dieptegeleider
- Haak
- Rubberen accessoire
- Wollen accessoire
- Schuimrubberen polijstaccessoire

## Voor model BHP444

ENG102-2

### Alleen voor Europese landen

#### Geluid

De typische, A-gewogen geluidsniveaus zijn gemeten volgens EN60745:

Geluidsdrukniveau ( $L_{pA}$ ): 85 dB (A)

Geluidsvermogeniveau ( $L_{wA}$ ): 96 dB (A)

Onzekerheid (K): 3 dB (A)

#### Draag gehoorbescherming.

#### Trilling

ENG203-1

De totale trillingswaarde (triaxiale vectorsom) zoals vastgesteld volgens EN60745-2-1:

Gebruikstoepassing: hamerboren in beton

Trillingsemissie ( $a_{h, D}$ ): 9 m/s<sup>2</sup>

Onzekerheid (K): 2 m/s<sup>2</sup>

ENG302-2

Gebruikstoepassing: boren in metaal

Trillingsemissie ( $a_{h, D}$ ): 2,5 m/s<sup>2</sup> of minder

Onzekerheid (K): 1,5 m/s<sup>2</sup>

#### Voor model BHP454

#### Alleen voor Europese landen

#### Geluid

ENG102-2

De typische, A-gewogen geluidsniveaus zijn gemeten volgens EN60745:

Geluidsdrukniveau ( $L_{pA}$ ): 86 dB (A)

Geluidsvermogeniveau ( $L_{wA}$ ): 97 dB (A)

Onzekerheid (K): 3 dB (A)

#### Draag gehoorbescherming.

#### Trilling

ENG203-1

De totale trillingswaarde (triaxiale vectorsom) zoals vastgesteld volgens EN60745-2-1:

Gebruikstoepassing: hamerboren in beton

Trillingsemissie ( $a_{h, D}$ ): 7,5 m/s<sup>2</sup>

Onzekerheid (K): 1,5 m/s<sup>2</sup>

ENG302-2

Gebruikstoepassing: boren in metaal

Trillingsemissie ( $a_{h, D}$ ): 2,5 m/s<sup>2</sup> of minder

Onzekerheid (K): 1,5 m/s<sup>2</sup>

#### EU-verklaring van conformiteit

ENH101-12

#### Wij, Makita Corporation, als de verantwoordelijke fabrikant, verklaren dat de volgende Makita-machine(s):

Aanduiding van de machine: Accu slagboor/schroevendraaier

Modelnr./Type: BHP444 en BHP454

in serie zijn geproduceerd en

#### Voldoen aan de volgende Europese richtlijnen:

98/37/EC tot en met 28 december 2009 en daarna aan 2006/42/EC vanaf 29 december 2009

En zijn gefabriceerd in overeenstemming met de volgende normen of genormaliseerde documenten:

EN60745

De technische documentatie wordt bewaard door onze erkende vertegenwoordiger in Europa, te weten:

Makita International Europe Ltd.,

Michigan Drive, Tongwell,

Milton Keynes, MK15 8JD, Engeland

30 januari 2009



Tomoyasu Kato

Directeur

Makita Corporation

3-11-8, Sumiyoshi-cho,

Anjo, Aichi, JAPAN

**Explicación de los dibujos**

- |  |                            |                              |
|--|----------------------------|------------------------------|
| 1. Parte roja                                | 11. Flecha                 | 23. Tornillo                 |
| 2. Botón                                     | 12. Banda de acero         | 24. Bulbo de extracción      |
| 3. Cartucho de la batería                    | 13. Base de la empuñadura  | 25. Marca de límite          |
| 4. Interruptor disparador                    | 14. Mango lateral          | 26. Cubierta trasera         |
| 5. Lámpara                                   | 15. Saliente               | 27. Tornillos                |
| 6. Palanca del interruptor de inversión      | 16. Canal de guía          | 28. Brazo                    |
| 7. Palanca de cambio de velocidad            | 17. Camisa                 | 29. Muelle                   |
| 8. Palanca para el cambio del modo de acción | 18. Portabarrenas          | 30. Parte cóncava            |
| 9. Anilla de ajuste                          | 19. Punta                  | 31. Tapa del portaescobillas |
| 10. Graduación                               | 20. Varilla de profundidad | 32. Orificio                 |
|  | 21. Tornillo de apriete    |                              |
|  | 22. Gancho                 |                              |

**ESPECIFICACIONES**

Modelo		BHP444	BHP454
Capacidades	Hormigón	14 mm	16 mm
	Acero	13 mm	13 mm
	Madera	50 mm	65 mm
	Tornillo para madera	6 mm x 75 mm	10 mm x 89 mm
	Tornillo para máquinas	6 mm	
Velocidad en vacío (min <sup>-1</sup> )	Alta (2)	0 - 1.700	
	Baja (1)	0 - 400	
Golpes por minuto (min <sup>-1</sup> )	Alta (2)	0 - 25.500	
	Baja (1)	0 - 6.000	
Longitud total		243 mm	
Peso neto		2,3 kg	2,4 kg
Tensión nominal		CC de 14,4 V	CC de 18 V

- Debido a nuestro programa continuo de investigación y desarrollo, las especificaciones aquí descritas están sujetas a cambios sin previo aviso.
- Las especificaciones pueden ser diferentes de un país a otro.
- Peso, con el cartucho de la batería, de acuerdo con el procedimiento EPTA 01/2003

**Uso previsto** ENE039-1

Esta herramienta está diseñada para la perforación mediante percusión en ladrillos, hormigón y piedras, así como para la perforación sin percusión en madera, metal, cerámica y plástico.

**NORMAS DE SEGURIDAD ESPECÍFICAS**

GEB003-4

**NO deje que la comodidad o la familiaridad con el producto (a base de utilizarlo repetidamente) sustituya la estricta observancia de las normas de seguridad para el martillo de perforación. Si utiliza esta herramienta de forma no segura o incorrecta, puede sufrir graves daños corporales.**

1. Durante la perforación con percusión, utilice protectores para los oídos. La exposición al ruido puede producir pérdida auditiva.
2. Utilice las empuñaduras auxiliares proporcionadas con la herramienta. La pérdida de control puede ocasionar daños corporales.
3. Sujete la herramienta eléctrica por las superficies de agarre aisladas al realizar una operación en que el accesorio de corte pueda entrar en

**contacto con cables ocultos o con su propio cable.**

Si entra en contacto con un cable con corriente, puede que las piezas metálicas expuestas de la herramienta eléctrica se carguen también de corriente y que el operario reciba una descarga.

4. Colóquese siempre en una posición bien equilibrada.  
Si utiliza la herramienta en una ubicación elevada, asegúrese de que nadie se encuentre debajo.
5. Sujete firmemente la herramienta con ambas manos.
6. Mantenga las manos alejadas de las partes giratorias.
7. No deje la herramienta encendida. Póngala en marcha solamente cuando la tenga en las manos.
8. No toque la punta ni la pieza de trabajo inmediatamente después de la tarea, ya que pueden estar extremadamente calientes y producir quemaduras en la piel.
9. Algunos materiales contienen sustancias químicas que pueden ser tóxicas. Procure evitar la inhalación de polvo y el contacto con la piel. Siga los datos de seguridad del proveedor del material.

# GUARDE ESTAS INSTRUCCIONES.

## ADVERTENCIA:

El MAL USO o la no observancia de las normas de seguridad expuestas en este manual de instrucciones puede ocasionar graves daños corporales.

## INSTRUCCIONES DE SEGURIDAD IMPORTANTES

ENC007-4

### PARA EL CARTUCHO DE LA BATERÍA

1. Antes de utilizar el cartucho de la batería, lea todas las instrucciones y referencias de precaución que se encuentran en (1) el cargador de baterías, (2) la batería y (3) el producto que utiliza la batería.
2. No desmonte el cartucho de la batería.
3. Si el tiempo de funcionamiento es excesivamente corto, deje de utilizar la herramienta de inmediato. De lo contrario, existe el riesgo de sobrecalentamiento, quemaduras e incluso explosión.
4. Si se produce contacto ocular con electrolito, enjuáguese los ojos con agua limpia y acuda de urgencia al médico. Corre el riesgo de perder la visión.
5. No cortocircuite el cartucho de la batería:
  - (1) No toque los terminales con material conductor.
  - (2) Evite guardar el cartucho de la batería en un recipiente con otros objetos metálicos, como clavos, monedas, etc.
  - (3) No exponga el cartucho de la batería al agua o a la lluvia. Un cortocircuito puede provocar un elevado flujo de corriente, sobrecalentamiento, quemaduras o incluso una avería.
6. No almacene la herramienta ni el cartucho de la batería en lugares donde la temperatura supere los 50 °C (122 °F).
7. No queme el cartucho de la batería aunque esté gravemente dañado o completamente gastado. El cartucho de la batería puede explotar si entra en contacto con fuego.
8. Procure que la batería no sufra golpes ni caídas.
9. Durante el uso, procure que la batería no sufra golpes ni caídas.

# GUARDE ESTAS INSTRUCCIONES.

## Consejos para conseguir una mayor duración de la batería

1. Cargue la batería antes de que se descargue por completo. Deje de utilizar siempre la herramienta y cargue el cartucho de la batería cuando observe que tiene menos potencia.
2. No recargue nunca un cartucho de batería completamente cargado. La sobrecarga acorta la vida útil de la batería.

3. Cargue el cartucho de la batería a una temperatura ambiente que oscile entre 10 °C y 40 °C (50°F - 104°F). Antes de cargar un cartucho de batería caliente, deje que se enfríe.

## DESCRIPCIÓN DEL FUNCIONAMIENTO

### PRECAUCIÓN:

- Asegúrese siempre de apagar la herramienta y extraer el cartucho de la batería antes de intentar realizar cualquier tipo de ajuste o comprobación en ella.

### Instalación o extracción del cartucho de la batería (Fig. 1)

- Apague siempre la herramienta antes de insertar o extraer el cartucho de la batería.
- Para extraer el cartucho de la batería, quítelo de la herramienta al mismo tiempo que desliza el botón situado en la parte frontal del cartucho.
- Para insertar el cartucho de la batería, alinee la lengüeta situada en el cartucho de la batería con la ranura del alojamiento e insértela. Insértela completamente hasta que quede firmemente sujeta y se bloquee con un clic. Si puede ver la parte roja de la zona superior del botón, significa que el cartucho no está completamente bloqueado. Insértelo completamente hasta que la parte roja quede oculta. De lo contrario, el cartucho puede desprenderse accidentalmente de la herramienta y causar lesiones al operario o a alguna persona que se encuentre cerca.
- No haga fuerza al insertar el cartucho de la batería. Si no se inserta suavemente, significa que no lo está instalando correctamente.

### Funcionamiento del interruptor (Fig. 2)

#### PRECAUCIÓN:

- Antes de insertar el cartucho de la batería en la herramienta, asegúrese siempre de que el interruptor disparador funcione como es debido y que vuelva a la posición "OFF" (apagado) al soltarlo.

Para poner en marcha la herramienta, simplemente accione el interruptor disparador. La velocidad de la herramienta aumenta al incrementar la presión sobre el interruptor disparador. Suelte el interruptor disparador para detener la herramienta.

### Encendido de la luz frontal (Fig. 3)

#### PRECAUCIÓN:

- No mire hacia la luz ni mire directamente hacia la fuente de luz.

Tire del interruptor del disparador para encender la luz. La luz permanece encendida mientras se acciona el interruptor disparador. La luz se apaga entre 10 y 15 segundos después de soltar el disparador.

#### NOTA:

- Utilice un paño seco para limpiar la suciedad del cristal de la lámpara. Procure no rayar el cristal de la lámpara, puesto que puede disminuir el grado de iluminación.



## Funcionamiento del interruptor de inversión (Fig. 4)

Esta herramienta está provista de un interruptor de inversión para cambiar la dirección de giro. Presione la palanca del interruptor de inversión del lado "A" para obtener un giro a la derecha o del lado "B" para girar a la izquierda.

Cuando la palanca del interruptor de inversión está en la posición neutral, el interruptor disparador no se puede accionar.

### PRECAUCIÓN:

- Antes de trabajar, compruebe siempre la dirección del giro.
- Utilice el interruptor de inversión sólo cuando la herramienta se haya detenido por completo, ya que, de lo contrario, la herramienta podría averiarse.
- Cuando no utilice la herramienta, coloque siempre la palanca del interruptor de inversión en la posición neutral.

## Cambio de velocidad (Fig. 5)

Para cambiar la velocidad, apague primero la herramienta y después deslice la palanca de cambio de velocidad hacia el lado "2" para seleccionar la velocidad rápida o hacia el lado "1" para seleccionar la velocidad lenta.

Antes de trabajar, compruebe que la palanca de cambio de velocidad se encuentre en la posición pertinente.




Seleccione la velocidad adecuada en función de la tarea que deba realizar.

### PRECAUCIÓN:


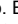

- Coloque siempre la palanca de cambio de velocidad completamente en la posición pertinente. Si utiliza la herramienta cuando la palanca de cambio de velocidad se encuentra a medio camino entre el lado "1" y el lado "2", la herramienta puede averiarse.
- No utilice la palanca de cambio de velocidad mientras la herramienta está en funcionamiento, ya que, de lo contrario, podría averiarse.

## Selección del modo de acción (Fig. 6)

Esta herramienta utiliza una palanca para cambiar el modo de acción. Con la ayuda de esta palanca, seleccione uno de los tres modos disponibles según sus necesidades.

Para giro sólo, deslice la palanca para que apunte hacia la marca  del cuerpo de la herramienta. Para giro con percusión, deslice la palanca para que apunte hacia la marca  del cuerpo de la herramienta. Para giro con embrague, deslice la palanca para que apunte hacia la marca  del cuerpo de la herramienta.

### NOTA:

- Cuando cambie la posición de "  " a "  ", puede tener alguna dificultad para deslizar la palanca de cambio de modo. En ese caso, encienda y utilice la herramienta durante un segundo en la posición "  ", detenga la herramienta y deslice la palanca hasta la posición deseada.

### PRECAUCIÓN:

- Ajuste siempre la palanca correctamente en la marca del modo que desee. Si utiliza la herramienta con la palanca en una posición entre alguno de las marcas de modo, la herramienta podría averiarse.

## Ajuste del par de apriete (Fig. 7)

El par de apriete puede ajustarse en 16 pasos girando la anilla de ajuste de modo que sus graduaciones queden alineadas con la flecha del cuerpo de la herramienta. El par de apriete es mínimo cuando el número 1 está alineado con la flecha y máximo cuando el número 16 está alineado con la flecha.

Antes de realizar el trabajo propiamente dicho, realice un atornillamiento de prueba en el material o en una pieza que no deba utilizar del mismo material para determinar el nivel de apriete necesario para la tarea.

## MONTAJE

### PRECAUCIÓN:

- Asegúrese siempre de apagar la herramienta y extraer el cartucho de la batería antes de intentar realizar cualquier tipo de operación en la herramienta.

## Instalación de la empuñadura lateral (mango auxiliar) (Fig. 8)

Utilice siempre la empuñadura lateral para garantizar un uso seguro.

Inserte la empuñadura lateral de forma que los salientes de la base de la empuñadura y la banda de acero encajen entre los canales de guía del portaherramientas. A continuación, apriete la empuñadura girándola en el sentido de las agujas del reloj.

## Instalación o extracción de la punta del destornillador o de la broca de perforación (Fig. 9)

Gire la camisa a la izquierda para abrir las mordazas del mandril. Inserte completamente la broca o la punta del destornillador en el mandril. Gire la camisa a la derecha para apretar el mandril.

Para extraer la broca o la punta del destornillador, gire la camisa a la izquierda.

## Instalación del portabarrenas (Fig. 10)

Encaje el portabarrenas en el saliente del pie de la herramienta en el lado izquierdo o derecho y fíjelo con un tornillo.

Cuando no utilice la punta del destornillador, guárdela en el portabarrenas.

Se pueden guardar puntas de hasta 45 mm.

## Varilla de profundidad ajustable (Fig. 11)

La varilla de profundidad ajustable se utiliza para realizar agujeros de profundidad uniforme. Afloje el tornillo de apriete, fíjelo en la posición deseada y, a continuación, apriételo.

## Gancho (Fig. 12)

El gancho es útil para colgar la herramienta.

Puede instalarse en cualquier lado de la herramienta. Para instalar el gancho, insértelo en una de las ranuras situadas a ambos lados de la herramienta y, a continuación, fíjelo con un tornillo.


Para extraerlo, afloje el tornillo y quítelo.

# MANEJO

## Función de perforación con percusión (Fig. 13)

### PRECAUCIÓN:


- En determinadas situaciones, como, por ejemplo, al practicar un agujero, cuando el orificio se taponan con restos y partículas de materiales o cuando se golpean las varas de refuerzo dentro del hormigón, se ejerce una enorme y súbita fuerza de torsión sobre la herramienta y la broca. Utilice siempre la empuñadura lateral (mango auxiliar) y sujete firmemente la herramienta por la empuñadura lateral y por el mango del interruptor durante el funcionamiento. De lo contrario, puede perder el control de la herramienta y sufrir heridas graves.

En primer lugar, deslice la palanca de cambio del modo de acción para que apunte a la marca . Para esta operación, la anilla de ajuste puede alinearse con cualquier nivel de apriete. Asegúrese de utilizar una broca con punta de carburo de tungsteno. Coloque la broca en la posición donde desee practicar el orificio y, a continuación, presione el interruptor disparador. No fuerce la herramienta. Los mejores resultados se obtienen cuando se ejerce una presión suave. Mantenga la herramienta en la posición y evite que se desplace fuera del orificio. No ejerza más presión cuando el orificio se obstruya con restos o partículas de materiales. Pare la herramienta y, a continuación, extraiga la broca parcialmente del orificio. Repita esta operación varias veces hasta que el orificio se limpie y pueda reanudar la perforación.

## Bulbo de extracción (accesorio opcional) (Fig. 14)

Tras perforar el orificio, utilice el bulbo de extracción para quitar el polvo y los restos de materiales del orificio.

## Función de atornillamiento

En primer lugar, deslice la palanca de cambio del modo de acción para que apunte a la marca . Fije la anilla de ajuste en el par de apriete adecuado para la tarea que deba realizar. A continuación, siga estas indicaciones. Coloque la punta del destornillador en la cabeza del tornillo y ejerza presión sobre la herramienta. Ponga en funcionamiento la herramienta lentamente y, a continuación, aumente la velocidad progresivamente. Suelte el interruptor disparador en cuanto el se active el acoplamiento.

### NOTA:

- Asegúrese de insertar la punta del destornillador en la cabeza del tornillo de forma recta, ya que, de lo contrario, el tornillo y/o la punta podrían sufrir daños.
- Cuando utilice tornillos para madera, perforo primero unos orificios a modo de guía para facilitar el atornillamiento y evitar la fragmentación del material. Consulte la figura.

Diámetro nominal de los tornillos para madera (mm)	Tamaño recomendado del orificio guía (mm)
3,1	2,0 - 2,2
3,5	2,2 - 2,5
3,8	2,5 - 2,8
4,5	2,9 - 3,2
4,8	3,1 - 3,4
5,1	3,3 - 3,6
5,5	3,6 - 3,9
5,8	4,0 - 4,2
6,1	4,2 - 4,4


### NOTA:

- Si la herramienta se utiliza continuamente hasta que el cartucho de la batería se descarga, deje reposar la herramienta durante 15 minutos antes de continuar con una batería cargada.

## Función de perforación

### PRECAUCIÓN:

- La perforación no será más rápida si presiona excesivamente la herramienta. De hecho, esta presión excesiva sólo servirá para dañar la punta de la broca, reducir el rendimiento de la herramienta y acortar la vida útil de la herramienta.
- En el momento de realizar el orificio, se ejerce una presión enorme sobre la herramienta y la broca. Sujete firmemente la herramienta y tenga mucho cuidado cuando la broca empieza a perforar el material.
- Para sacar una broca atascada, sólo tiene que ajustar el interruptor de inversión en el giro inverso. Sin embargo, la herramienta puede retroceder bruscamente si no la sujeta con fuerza.
- Afiance siempre las piezas de trabajo pequeñas en una prensa de tornillo o un dispositivo de sujeción similar.
- Si la herramienta se utiliza continuamente hasta que el cartucho de la batería se descarga, deje reposar la herramienta durante 15 minutos antes de continuar con una batería cargada.

En primer lugar, deslice la palanca de cambio del modo de acción para que apunte a la marca . Para esta operación, la anilla de ajuste puede alinearse con cualquier nivel de apriete. A continuación, siga estas indicaciones.

### Perforación en madera

Los mejores resultados al realizar una perforación en madera se obtienen con las brocas para madera equipadas con un tornillo guía, ya que facilita la perforación puesto que inserta la broca en la pieza de trabajo.

### Perforación en metal

Para evitar que la broca resbale al empezar la perforación, realice una mella con un punzón para marcas y un martillo en el punto exacto de la perforación. Sitúe la broca en la mella y empiece a perforar. Utilice un lubricante para cortes cuando perforo metales, salvo para el hierro y el bronce, ya que deben perforarse en seco.

# MANTENIMIENTO

## PRECAUCIÓN:

- Asegúrese de apagar siempre la herramienta y extraer el cartucho de la batería antes de intentar realizar cualquier trabajo de inspección o mantenimiento en ella.

## Reemplazo de las escobillas de carbón (Fig. 15)

Reemplácelas cuando se gasten hasta la marca de límite. Mantenga las escobillas de carbón limpias y de forma que entren libremente en los portaescobillas.

Ambas escobillas de carbón deberán ser reemplazadas al mismo tiempo. Utilice únicamente escobillas de carbón idénticas.

Utilice un destornillador para extraer los dos tornillos y, a continuación, quite la cubierta trasera. (Fig. 16)

Levante el brazo del muelle y colóquelo en la parte cóncava del alojamiento con la ayuda de un destornillador fino para tornillos de cabeza ranurada o una herramienta similar. (Fig. 17)

Utilice unos alicates para extraer las tapas de las escobillas de carbón. Saque las escobillas de carbón desgastadas, inserte las nuevas y vuelva a colocar las tapas de los portaescobillas al revés. (Fig. 18)

Asegúrese de que las tapas de los portaescobillas queden perfectamente ajustadas en los orificios de los portaescobillas. (Fig. 19)

Vuelva a instalar la cubierta trasera y apriete los dos tornillos. Para conservar la SEGURIDAD y la FIABILIDAD del producto, los trabajos de reparación y otros trabajos de mantenimiento y ajuste deberán ser realizados en centros de servicio autorizados de Makita, utilizando siempre repuestos Makita.

# ACCESORIOS

## PRECAUCIÓN:

- Se recomienda el uso de estos accesorios o complementos con la herramienta Makita especificada en este manual. El uso de otros accesorios o complementos puede conllevar el riesgo de ocasionar daños corporales. Utilice los accesorios o complementos solamente para su fin establecido.

Si necesita cualquier ayuda para obtener más información relativa a estos accesorios, pregunte al centro de servicio Makita local.

- Brocas de perforación
- Brocas de perforación con percusión
- Puntas de destornillador
- Bulbo de extracción
- Gafas de seguridad
- Diversos tipos de baterías y cargadores originales de Makita
- Conjunto de la empuñadura
- Varilla de profundidad
- Gancho
- Conjunto de almohadillas de goma
- Gorra de lana
- Almohadilla para pulido de espuma

## Para el modelo BHP444 Sólo para los países europeos

ENG102-2

### Ruido

Nivel típico de ruido ponderado A determinado conforme a EN60745:

Nivel de presión de sonido ( $L_{pA}$ ): 85 dB (A)

Nivel de potencia de sonido ( $L_{WA}$ ): 96 dB (A)

Incertidumbre (K): 3 dB (A)

**Utilice protección para los oídos.**

### Vibración

ENG203-1

Valor total de la vibración (suma de vectores triaxiales) determinada según el estándar EN60745-2-1:

Modo de trabajo: taladrado de impacto en hormigón

Emisión de vibraciones ( $a_{h,1D}$ ): 9 m/s<sup>2</sup>

Incertidumbre (K): 2 m/s<sup>2</sup>

ENG302-2

Modo de trabajo: taladrado en metal

Emisión de vibraciones ( $a_{h,1D}$ ): 2,5 m/s<sup>2</sup> o menos

Incertidumbre (K): 1,5 m/s<sup>2</sup>

## Para el modelo BHP454

### Sólo para los países europeos

#### Ruido

ENG102-2

Nivel típico de ruido ponderado A determinado conforme a EN60745:

Nivel de presión de sonido ( $L_{pA}$ ): 86 dB (A)

Nivel de potencia de sonido ( $L_{WA}$ ): 97 dB (A)

Incertidumbre (K): 3 dB (A)

**Utilice protección para los oídos.**

### Vibración

ENG203-1

Valor total de la vibración (suma de vectores triaxiales) determinada según el estándar EN60745-2-1:

Modo de trabajo: taladrado de impacto en hormigón

Emisión de vibraciones ( $a_{h,1D}$ ): 7,5 m/s<sup>2</sup>

Incertidumbre (K): 1,5 m/s<sup>2</sup>

ENG302-2

Modo de trabajo: taladrado en metal

Emisión de vibraciones ( $a_{h,1D}$ ): 2,5 m/s<sup>2</sup> o menos

Incertidumbre (K): 1,5 m/s<sup>2</sup>

## Declaración de conformidad de la CE

ENH101-12

### Nosotros, Makita Corporation, en calidad de fabricante responsable, declaramos que las siguientes máquinas Makita:

Designación de la máquina: Taladro atomillador con percusión a batería

Nº de modelo/ Tipo: BHP444, BHP454

son de producción serie y

### Cumplen con las siguientes Directivas europeas:

98/37/EC hasta el 28 de diciembre de 2009 y después con 2006/42/EC desde el 29 de diciembre de 2009

Y se han fabricado de acuerdo con los siguientes estándares o documentos estandarizados:

EN60745

La documentación técnica la conserva nuestro representante autorizado en Europa, que es:

Makita International Europe Ltd,  
Michigan, Drive, Tongwell,  
Milton Keynes, MK15 8JD, Inglaterra

30 de enero de 2009



Tomoyasu Kato  
Director  
Makita Corporation  
3-11-8, Sumiyoshi-cho,  
Anjo, Aichi, JAPAN

# PORTUGUÊS

## Descrição geral

- |   |                           |                               |
|---|---------------------------|-------------------------------|
| 1. Peça vermelha                                | 11. Seta                  | 23. Parafuso                  |
| 2. Botão  | 12. Banda metálica        | 24. Fole                      |
| 3. Bateria                                      | 13. Base do apoio         | 25. Marca limite              |
| 4. Gatilho                                      | 14. Apoio lateral         | 26. Tampa posterior           |
| 5. Lâmpada                                      | 15. Saliência             | 27. Parafusos                 |
| 6. Manípulo de mudança de rotação               | 16. Encaixe               | 28. Braço                     |
| 7. Manípulo de mudança de velocidade            | 17. Manga                 | 29. Mola                      |
| 8. Alavanca de mudança de modo de funcionamento | 18. Porta-brocas          | 30. Interior                  |
| 9. Anel de ajuste                               | 19. Ponta                 | 31. Tampa da escova de carvão |
| 10. Graduação                                   | 20. Haste de profundidade | 32. Orifício                  |
|   | 21. Parafuso de fixação   |                               |
|   | 22. Gancho                |                               |

## ESPECIFICAÇÕES

Modelo	BHP444	BHP454	
Capacidades	Betão	14 mm	16 mm
	Aço	13 mm	13 mm
	Madeira	50 mm	65 mm
	Parafuso de madeira	6 mm x 75 mm	10 mm x 89 mm
	Parafuso da máquina	6 mm	
Sem velocidade de rotação em carga (mín. <sup>-1</sup> )	Alto (2)	0 - 1.700	
	Baixo (1)	0 - 400	
Sopros por minuto (mín. <sup>-1</sup> )	Alto (2)	0 - 25.500	
	Baixo (1)	0 - 6.000	
Comprimento total	243 mm		
Peso líquido	2,3 kg	2,4 kg	
Voltagem nominal	D.C. 14,4 V	D.C. 18 V	

- Devido à pesquisa e desenvolvimento constantes, estas especificações estão sujeitas a alteração sem aviso prévio.
- Estas especificações podem diferir de país para país.
- Peso, com a bateria, de acordo com o procedimento EPTA de 01/2003

### Utilização prevista ENE039-1

Esta ferramenta foi concebida para perfuração por precursão em tijolo, betão e pedra, e perfuração sem precursão, em madeira, metal, cerâmica e plástico.

## REGRAS DE SEGURANÇA ESPECÍFICAS GEB003-4

**NÃO** deixe que o progressivo à-vontade com o produto (resultante de uma utilização frequente) o faça esquecer o estrito cumprimento das regras de segurança para a funcionalidade de perfuração. Se utilizar a ferramenta incorrectamente ou não respeitar as regras de segurança, poderá ferir-se gravemente.

1. Use protecções para os ouvidos quando efectuar perfurações por precursão. A exposição ao ruído pode provocar a perda de audição.
2. Utilize a(s) pega(s) auxiliar(es) fornecida(s) com a ferramenta. A perda de controlo pode provocar ferimentos pessoais.
3. Quando executar operações em que acessórios de corte possam entrar em contacto com fios eléctricos ocultos ou com próprio cabo eléctrico da ferramenta, tenha o cuidado de tocar apenas

nas superfícies isoladas desses acessórios. O acessório de corte em contacto com um fio eléctrico ligado à corrente pode electrificar as peças de metal da ferramenta e provocar um choque.

4. Procure uma posição em pé estável e firme. Se utilizar a ferramenta em locais altos, verifique se não há ninguém por baixo.
5. Segure a ferramenta com firmeza, com as duas mãos.
6. Afaste as mãos das peças em movimento.
7. Não abandone a ferramenta a funcionar. Ponha-a a funcionar apenas quando estiver a segurá-la.
8. Não toque numa broca ou no material em que tiver estado a trabalhar logo após a operação porque podem estar demasiado quentes.
9. Alguns materiais contêm químicos que podem ser tóxicos. Tenha cuidado para evitar a inalação e o contacto da pele com o pó produzido. Obedeça às instruções de segurança do fornecedor do material.

## GUARDE ESTAS INSTRUÇÕES.

## AVISO:

A UTILIZAÇÃO INCORRECTA ou o não cumprimento das regras de segurança fornecidas neste manual de instruções podem provocar ferimentos graves.

# INSTRUÇÕES DE SEGURANÇA IMPORTANTES

ENC007-4

## RELATIVAS À BATERIA

1. Antes de utilizar a bateria leia as instruções e chamadas de atenção de: (1) o carregador da bateria, (2) a bateria e, (3) o produto que utiliza a bateria.
2. Não desmonte a bateria.
3. Se o tempo de utilização com bateria se tornar demasiado curto, deve parar imediatamente. Se continuar, pode causar sobreaquecimento, fogo e mesmo explosão.
4. Se o electrólito entrar em contacto com os olhos, enxágue-os com água limpa e consulte imediatamente um médico. Os riscos incluem perda de visão.
5. Não provoque um curto-circuito na bateria:
  - (1) Não deixe que quaisquer materiais condutores entrem em contacto com os terminais da bateria.
  - (2) Evite guardar a bateria juntamente com outros objectos de metal como moedas, por exemplo.
  - (3) Não exponha a bateria a água ou chuva. Um curto-circuito na bateria pode criar uma grande carga eléctrica, sobreaquecimento, fogo e uma quebra da corrente.
6. Não guarde a ferramenta e a bateria em locais onde a temperatura possa atingir ou exceder 50°C (122°F).
7. Não incinere a bateria, nem mesmo que esta se tenha avariado irremediavelmente ou se tenha gasto completamente com o uso. Pode explodir e causar fogo.
8. Não a deixe cair e evite o choque com outros objectos.
9. Não utilize baterias que tenham caído ou sofrido choques.

## GUARDE ESTAS INSTRUÇÕES.

### Dicas para o máximo de tempo de vida da bateria

1. Não espere que a bateria se gaste completamente para voltar a carregá-la. Pare a ferramenta e carregue a bateria sempre que detectar um baixo nível de energia.
2. Nunca volte a carregar uma bateria já completamente carregada. O carregamento excessivo diminui o tempo de vida das baterias.
3. Carregue a bateria em locais onde a temperatura se situe entre 10 °C e 40 °C. Se a bateria estiver quente, deixe-a arrefecer antes de iniciar o carregamento.

# DESCRIÇÃO DO FUNCIONAMENTO

## PRECAUÇÃO:

- Certifique-se sempre de que a ferramenta está desligada e a bateria foi removida antes de proceder a ajustamentos ou testar acessórios.

## Inserir ou retirar a bateria (Fig. 1)

- Sempre que for inserir ou remover a bateria, desligue a ferramenta.
- Para retirar a bateria, puxe-a para fora ao mesmo tempo que desliza o botão localizado na parte frontal.
- Para inserir a bateria alinhe-a com a calha recolhida e encaixe-a suavemente. Insira-a completamente até sentir um clique de encaixe. Se ainda estiver visível a peça vermelha na parte superior do botão, não estará bem encaixada. Insira-a completamente, até deixar de ver a peça vermelha. Caso contrário, pode cair da ferramenta e causar ferimentos em si, ou em alguém que esteja perto de si.
- Não exerça força ao inserir a bateria. Se não encaixar facilmente é porque não está correctamente posicionada.

## O gatilho/interruptor (Fig. 2)

### PRECAUÇÃO:

- Antes de inserir a pilha na ferramenta, verifique se o gatilho está a funcionar correctamente e se volta à posição "OFF" quando o solta.

Para pôr a ferramenta a funcionar, prima o gatilho. A velocidade da ferramenta aumenta com a pressão exercida no gatilho. Para parar a ferramenta, solte o gatilho.

## A luz incorporada na ferramenta (Fig. 3)

### PRECAUÇÃO:

- Não olhe directamente para a luz da ferramenta. Para a acender prima o gatilho. A lâmpada manter-se-á acesa enquanto o gatilho for premido. 10 a 15 segundos depois de o gatilho ser solto, a luz apaga-se.

### NOTA:

- Para limpar a lâmpada, utilize um tecido seco. Tenha cuidado para não riscar a lente da lâmpada, pois poderia diminuir a intensidade da iluminação.

## Inverter a direcção da rotação (Fig. 4)

Esta ferramenta tem um interruptor que permite inverter a direcção da rotação. Rode o interruptor a partir da posição "A" no sentido dos ponteiros do relógio, ou a partir da posição "B" no sentido contrário ao dos ponteiros do relógio.

Se o interruptor estiver na posição neutra, o gatilho não poderá ser premido.

### PRECAUÇÃO:

- Verifique sempre a direcção da rotação antes da operação.
- Este interruptor deve ser utilizado apenas quando a ferramenta estiver completamente parada. Se alterar a direcção da rotação antes da ferramenta ter parado pode avariá-la.

- Quando a ferramenta não estiver a funcionar coloque o interruptor na posição neutra.

### Alteração da velocidade (Fig. 5)

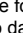
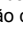

Para alterar a velocidade, primeiro desligue a ferramenta e, em seguida, coloque o manípulo de mudança de velocidade na posição “2” para uma velocidade alta, e na posição “1” para uma velocidade baixa. Certifique-se de que o manípulo de mudança de velocidade está na posição desejada antes de pôr a ferramenta a funcionar. Selecione a velocidade adequada ao trabalho que vai executar.

#### PRECAUÇÃO:

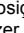
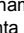
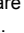
- Certifique-se de que o manípulo de mudança de velocidade fica colocado na posição correcta. Se colocar a ferramenta a funcionar com o manípulo de mudança de velocidade numa posição indefinida entre as posições “1” e “2”, a ferramenta pode avariar-se.
- Não utilize o manípulo de mudança de velocidade com a ferramenta em funcionamento. Pode avariá-la.

### Seleção do modo de funcionamento (Fig. 6)

A ferramenta possui um manípulo de selecção do modo de funcionamento. Selecione, dos três modos disponíveis, o mais apropriado a cada trabalho que for efectuar, utilizando este manípulo.

Apenas para a rotação, deslize o manípulo de forma a que aponte na direcção da marca  no corpo da ferramenta. Para rotação com martelo, deslize o manípulo de forma a que aponte na direcção da marca  no corpo da ferramenta. Para rotação com embraiagem, deslize o manípulo de forma a que aponte na direcção da marca  no corpo da ferramenta.

#### NOTA:

- Quando mudar a posição de “” para “”, poderá ser um pouco difícil fazer deslizar o manípulo de selecção do modo de funcionamento. Nesta altura, ligue e coloque a ferramenta a funcionar durante um segundo na posição “”, pare a ferramenta e selecione a posição pretendida.

#### PRECAUÇÃO:

- O manípulo deve ficar sempre bem posicionado, numa das marcas. Se puser a ferramenta a funcionar com o manípulo numa posição indefinida, entre duas marcas por exemplo, a ferramenta pode avariar-se.

### Ajuste da torção (Fig. 7)

A torção tem 16 posições que podem ser reguladas com o anel de ajuste, alinhando as graduações relativamente à seta existente no corpo da ferramenta. A posição mínima corresponde ao alinhamento da seta com o indicador 1, e a posição máxima ao alinhamento da seta com o indicador 16.

Antes da operação propriamente dita, execute um teste; pode utilizar um pedaço desnecessário do mesmo material para determinar o nível adequado para o caso em particular.

## MONTAGEM

#### PRECAUÇÃO:

- Certifique-se sempre de que a ferramenta está desligada e a bateria removida, antes de efectuar qualquer operação com acessórios.

### Instalar a pega lateral (manípulo auxiliar) (Fig. 8)

Utilize sempre o apoio lateral para garantir um manuseamento seguro da ferramenta.

Introduza o apoio lateral de forma a que as saliências no apoio da base e a banda metálica entrem nos encaixes no cano da ferramenta. De seguida, aperte o apoio rodando no sentido dos ponteiros do relógio.

### Instalar ou retirar brocas (Fig. 9)

Rode o anel no sentido contrário ao dos ponteiros do relógio para abrir o mandril. Introduza a broca no mandril, até ao fundo. Rode o anel no sentido dos ponteiros do relógio para apertar o mandril.

Para remover a broca, rode o anel no sentido contrário ao dos ponteiros do relógio.

### Instalar o porta-brocas (Fig. 10)

Instale o porta-brocas na saliência na base da ferramenta, no lado direito ou esquerdo, e fixe-o com um parafuso.

Quando não utilizar a broca, guarde-a no porta-brocas. O porta-brocas permite guardar brocas com 45 mm de comprimento.

### Haste de profundidade regulável (Fig. 11)

A haste de profundidade regulável é utilizada para perfurar com uma profundidade uniforme. Desaperte o parafuso de fixação, coloque na posição pretendida e aperte o parafuso de fixação.

### Gancho (Fig. 12)

O gancho é muito útil para pendurar a ferramenta quando necessário.

Pode ser instalado de qualquer dos lados.

Para instalar o gancho, insira-o numa das ranhuras do corpo da ferramenta, em qualquer dos lados e, em seguida, fixe-o com um parafuso.

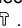
Para o remover, basta desapertar o parafuso.

## FUNCCIONAMENTO

### Perfuração com percussão (Fig. 13)

#### PRECAUÇÃO:

- No início da perfuração, quando o orifício começa a ficar entupido com partículas do material que está a ser perfurado ou quando a perfuração encontra reforços no interior do betão, é exercida uma força enorme que pode causar movimentos inesperados na broca. Utilize sempre o apoio lateral (pega auxiliar) e segure a ferramenta com firmeza pelo apoio lateral e pela pega do interruptor enquanto trabalha. Se não o fizer, poderá perder o controlo da ferramenta e sofrer potenciais ferimentos graves.

Em primeiro lugar, deslize o manípulo de selecção de modo de forma a que aponte para a marca . O anel de

ajuste pode ser regulado para quaisquer níveis de aperto para esta operação. Certifique-se de que está a usar uma broca com revestimento de carboneto de tungsténio. Posicione a broca no ponto onde deseja efectuar a perfuração e prima o gatilho. Não force a ferramenta. Se aplicar uma leve pressão obterá melhores resultados. Concentre-se em manter a ferramenta na posição correcta e não deixar que a broca saia do orifício. Não aplique mais pressão quando o orifício começar a ficar entupido com partículas do material perfurado. Em vez disso, coloque a ferramenta em compasso de espera e retire parcialmente a broca do orifício. Repetindo este processo várias vezes, manterá o orifício limpo e uma perfuração normal.

## Fole (acessório opcional) (Fig. 14)

Depois de perfurado o orifício, utilize o fole para retirar o entulho e partículas.

## Aparafusar

Em primeiro lugar, deslize o manípulo de selecção de modo de forma a que aponte para a marca . Ajuste o anel para um nível adequado ao trabalho. Depois faça o seguinte. Coloque o acessório de chave de fendas e aperte. Ponha a ferramenta a funcionar a uma velocidade baixa e vá aumentando gradualmente. Liberte o gatilho assim que o tambor parar de rodar.

### NOTA:

- Certifique-se de que o acessório está bem colocado, para que não se danifique.
- Em madeira, faça um orifício piloto no ponto pretendido para tornar a perfuração mais fácil e evitar que a madeira estale. Ver gráfico

Diâmetro nominal da perfuração em madeira (mm)	Tamanho recomendado para o orifício piloto (mm)
3,1	2,0 - 2,2
3,5	2,2 - 2,5
3,8	2,5 - 2,8
4,5	2,9 - 3,2
4,8	3,1 - 3,4
5,1	3,3 - 3,6
5,5	3,6 - 3,9
5,8	4,0 - 4,2
6,1	4,2 - 4,4

### NOTA:

- Se mantiver a ferramenta a funcionar ininterruptamente até a bateria se gastar completamente, deixe-a em repouso durante 15 minutos antes de substituir a bateria.

## Função de perfuração

### PRECAUÇÃO:

- Se exercer demasiada força sobre a ferramenta, a velocidade de perfuração não aumentará. Na verdade, o excesso de força acabará apenas por danificar a ponta da broca, diminuir o desempenho da ferramenta e diminuir o seu tempo de vida funcional.

- No início da perfuração já é exercida uma enorme força na broca e na própria ferramenta. Mantenha a ferramenta firme e concentre-se no posicionamento da broca no início da perfuração.
- Uma broca encravada pode ser removida com facilidade invertendo o sentido da rotação na ferramenta. No entanto, deve ter cuidado porque a ferramenta pode exercer uma força súbita para trás, se não estiver bem segura.
- Quando trabalhar em peças pequenas fixe-as num torno ou num dispositivo similar.
- Se mantiver a ferramenta a funcionar ininterruptamente até a bateria se gastar completamente, deixe-a em repouso durante 15 minutos antes de substituir a bateria.

Em primeiro lugar, deslize o manípulo de selecção de modo de forma a que aponte para a marca . O anel de ajuste pode ser regulado para quaisquer níveis de aperto para esta operação. Depois faça o seguinte.

### Perfuração em madeira

Se perfurar madeira, para obter os melhores resultados utilize brocas de madeira com uma ponta de parafuso. A ponta de parafuso torna a perfuração mais fácil, fazendo a broca penetrar o material.

### Perfuração em metal

Para evitar que a broca salte ao iniciar a perfuração, crie também um orifício piloto com um cinzel e um martelo, no ponto que deseja perfurar. Coloque a ponta da broca o orifício piloto e inicie a perfuração. Utilize um lubrificante de corte para perfurar metais. Excepto em ferro e latão, que devem ser perfurados a seco.

## MANUTENÇÃO

### PRECAUÇÃO:

- Certifique-se sempre de que a ferramenta está desligada e a bateria removida antes de efectuar operações de inspecção ou de manutenção.

## Substituir as escovas de carvão (Fig. 15)

Substitua-as quando o desgaste chegar à marca limite. Mantenha-as limpas e soltas para poderem deslizar nos suportes.

Substitua as duas ao mesmo tempo. As escovas de um mesmo par utilizado devem ser idênticas.

Utilize uma chave de parafusos para remover os dois parafusos e retire a tampa posterior. (Fig. 16)

Levante o braço da mola e coloque-o na parte interior do corpo da ferramenta com a ajuda de um objecto comprido e delgado. (Fig. 17)

Utilize pinças para retirar as capas de carvão. Retire as escovas usadas, coloque umas novas e volte a colocar as tampas dos suportes seguindo o procedimento inverso. (Fig. 18)

Certifique-se de que as capas se adaptaram perfeita e firmemente nos orifícios dos suportes. (Fig. 19)

Volte a colocar a tampa traseira e aperte bem os parafusos. Para manter os níveis de SEGURANÇA e FIABILIDADE definidos para este produto, reparações, operações de manutenção ou ajustes devem ser executados por centros de assistência Makita autorizados e, no caso de substituição de peças, estas devem ser igualmente Makita.



# ACESSÓRIOS

ENG302-2

## PRECAUÇÃO:

- Os seguintes acessórios ou extensões são os recomendados para utilizar com a ferramenta Makita especificada neste manual. A utilização de outros acessórios ou extensões podem provocar ferimentos. Utilize cada acessório ou extensão apenas para o fim indicado.

Se precisar de informações adicionais relativas aos acessórios, contacte o centro local de assistência Makita.

- Brocas de perfuração
- Brocas de perfuração de martelo
- Brocas de aparafusamento
- Fole
- Óculos protectores
- Vários tipos de baterias e carregadores Makita genuínos.
- Conjunto do apoio
- Haste de profundidade
- Gancho
- Almofada de borracha
- Protector de lâ
- Polidor de espuma

## Para o Modelo BHP444

ENG102-2

### Apenas para os países europeus

#### Ruído

Os níveis acústicos ponderados A típicos foram determinados segundo a EN60745:

Nível de pressão sonora ( $L_{pA}$ ): 85 dB (A)

Nível de potência sonora ( $L_{WA}$ ): 96 dB (A)

Imprecisão (K): 3 dB (A)

**Use protecção para os ouvidos.**

#### Vibração

ENG203-1

O valor total da vibração (soma triaxial de vectores) foi determinado segundo a EN60745-2-1:

Modo de trabalho: perfuração de percussão em cimento

Emissão de vibrações ( $a_{h,D}$ ): 9 m/s<sup>2</sup>

Imprecisão (K): 2 m/s<sup>2</sup>

ENG302-2

Modo de trabalho: perfuração em metal

Emissão de vibração ( $a_{h,D}$ ): 2,5 m/s<sup>2</sup> ou menos

Imprecisão (K): 1,5 m/s<sup>2</sup>

## Para o Modelo BHP454

### Apenas para os países europeus

#### Ruído

ENG102-2

Os níveis acústicos ponderados A típicos foram determinados segundo a EN60745:

Nível de pressão sonora ( $L_{pA}$ ): 86 dB (A)

Nível de potência sonora ( $L_{WA}$ ): 97 dB (A)

Imprecisão (K): 3 dB (A)

**Use protecção para os ouvidos.**

#### Vibração

ENG203-1

O valor total da vibração (soma triaxial de vectores) foi determinado segundo a EN60745-2-1:

Modo de trabalho: perfuração de percussão em cimento

Emissão de vibrações ( $a_{h,D}$ ): 7,5 m/s<sup>2</sup>

Imprecisão (K): 1,5 m/s<sup>2</sup>

Modo de trabalho: perfuração em metal

Emissão de vibração ( $a_{h,D}$ ): 2,5 m/s<sup>2</sup> ou menos

Imprecisão (K): 1,5 m/s<sup>2</sup>

## Declaração de conformidade EC

ENH101-12

**A Makita Corporation, na qualidade do fabricante responsável, declara que a(s) máquina(s) Makita seguinte(s):**

Designação da máquina: Martelo perfurador sem fios

N.º de modelo/Tipo: BHP444, BHP454

são produzidas em série e

**estão em conformidade com as Directivas Europeias seguintes:**

98/37/EC até 28 de Dezembro de 2009 e, de seguida, com a 2006/42/EC a partir de 29 de Dezembro de 2009

E são fabricadas de acordo com as normas ou os documentos padronizados seguintes:

EN60745

A documentação técnica é mantida pelo nosso representante autorizado na Europa, que é:

Makita International Europe Ltd,  
Michigan, Drive, Tongwell,  
Milton Keynes, MK15 8JD, Inglaterra

30 de Janeiro de 2009



Tomoyasu Kato

Director

Makita Corporation

3-11-8, Sumiyoshi-cho,  
Anjo, Aichi, JAPAN

**Forklaring til generel oversigt**

1. Rød del	11. Pil	22. Krog
2. Knap	12. Stålbånd	23. Skrue
3. Batteripakke	13. Håndtagsbase	24. Udblæsningskolbe
4. Kontaktgreb	14. Sidehåndtag	25. Slidgrænse
5. Lampe	15. Fremspring	26. Bagdæksel
6. Skiftkontakthåndtag	16. Rille	27. Skruer
7. Hastighedshåndtag	17. Muffe	28. Arm
8. Håndtag til skift af funktionstilstand	18. Spidsholder	29. Fjeder
9. Justeringsring	19. Spids	30. Forsænket del
10. Gradinddeling	20. Dybdemåler	31. Kulbørstedæksel
	21. Tilspændingsskrue	32. Hul

**SPECIFIKATIONER**

Model		BHP444	BHP454
Kapaciteter	Beton	14 mm	16 mm
	Stål	13 mm	13 mm
	Træ	50 mm	65 mm
	Træskrue	6 mm x 75 mm	10 mm x 89 mm
	Maskinskrue	6 mm	
Hastighed uden belastning (min <sup>-1</sup> )	Høj (2)	0 – 1.700	
	Lav (1)	0 – 400	
Slag pr. minut (min <sup>-1</sup> )	Høj (2)	0 – 25.500	
	Lav (1)	0 – 6.000	
Længde i alt		243 mm	
Nettovægt		2,3 kg	2,4 kg
Nominel spænding		14,4 V DC	18 V DC

- På grund af vores løbende forsknings- og udviklingsprogram kan specifikationerne heri ændres uden forudgående varsel.
- Specifikationerne kan variere fra land til land.
- Vægt, inklusive batteripakken, i henhold til EPTA-Procedure 01/2003

**Tilsigtet brug**

ENE039-1

Værktøjet er beregnet til slagboring i mursten, beton og sten samt til boring uden slag i træ, metal, keramik og plastik.

**SPECIFIKKE SIKKERHEDSREGLER**

GEB003-4

**LAD IKKE tryghed eller kendskab til produktet (fra gentagen brug) føre til, at du ikke strengt overholder sikkerhedsreglerne for slagboret. Hvis maskinen anvendes på usikker eller forkert vis, kan du komme alvorligt til skade.**

1. **Brug høreværn når du udfører slagboring.** Udsættelse for støj kan medføre høreskader.
2. **Benyt de ekstra håndtag, der eventuelt leveres med værktøjet.** Hvis du mister kontrollen, kan du komme til skade.
3. **Hold maskinen på de isolerede grebflader, når du udfører arbejde, hvor det skærende tilbehør kan komme i kontakt med skjulte ledninger eller maskinens egen ledning.** Hvis det skærende tilbehør kommer i kontakt med en strømførende ledning, kan udsatte metaldele på maskinen blive

strømførende, hvorved operatøren kan få elektrisk stød.

4. **Sørg altid for at have et solidt fodfæste. Sørg for, at der ikke er nogen under dig, når du benytter værktøjet på højtliggende steder.**
5. **Hold godt fast i værktøjet med begge hænder.**
6. **Hold hænderne på afstand af roterende dele.**
7. **Gå ikke fra værktøjet, mens det kører. Lad kun værktøjet køre, mens du holder det i hænderne.**
8. **Berør ikke bitten eller arbejdsmenet umiddelbart efter brugen. De kan være meget varme og kan forårsage forbrændinger af huden.**
9. **Nogle materialer indeholder kemikalier, som kan være giftige. Sørg for, at forhindre indånding af støv og kontakt med huden. Følg materialeforhandlerens sikkerhedsdata.**

**GEM DISSE INSTRUKTIONER.****ADVARSEL:**

**MISBRUG** eller manglende overholdelse af sikkerhedsreglerne i denne brugsanvisning kan medføre alvorlig personskade.

# VIGTIGE SIKKERHEDSINSTRUKTIONER

ENC007-4

## FOR BATTERIPAKKEN

1. Før brugen af batteripakken skal De læse alle instruktioner og advarsler på (1) batteriopladeren, (2) batteriet og (3) det produkt, som batteriet anvendes i.
2. Skil ikke batteripakken ad.
3. Hvis driftstiden bliver betydeligt kortere, skal De straks ophøre med brugen. Brug kan medføre risiko for overophedning, mulige forbrændinger eller endog eksplosion.
4. Hvis De får elektrolyt i øjnene, skal De med det samme rense øjnene med rent vand og søge læge. Dette kan medføre tab af synet.
5. Kortslut ikke batteripakken:
  - (1) Undgå at røre ved terminalerne med ledende materiale.
  - (2) Undgå at opbevare batteripakken i en beholder med andre metalgenstande som f.eks. søm, mønter osv.
  - (3) Udsæt ikke batteripakken for vand eller regn. Hvis batteriet kortsluttes, kan det medføre voldsom strøm, overophedning, mulige forbrændinger og endog nedbrud.
6. Undgå at opbevare værktøjet og batteripakken på steder, hvor temperaturen kan komme op på eller overstige 50 °C.
7. Sæt ikke ild til batteripakken, selvom den er alvorligt beskadiget eller helt udtjent. Batteripakken kan eksplodere ved brand.
8. Undgå at tabe eller slå på batteriet.
9. Brug ikke et batteri, der har været tabt eller slået på.

## GEM DISSE INSTRUKTIONER.

### Tip til, hvordan De forlænger batteriets levetid

1. Udskift batteripakken, før den bliver helt afladet. Ophør med at bruge værktøjet, og udskift batteripakken, hvis strømmen til værktøjet aftager.
2. Oplad aldrig en fuldt opladet batteripakke. Overopladning forkorter batteriets levetid.
3. Oplad batteripakken ved stuetemperatur på 10-40 °C. Lad batteripakken køle ned, før den oplades, hvis den er varm.

## FUNKTIONSBESKRIVELSE

### FORSIGTIG:

- Sørg altid for, at værktøjet er slukket, og at batteripakken er taget ud, før De justerer værktøjet eller kontrollerer dets funktion.

### Montering eller afmontering af batteripakken (Fig. 1)

- Sluk altid for værktøjet, før De monterer eller afmonterer batteripakken.

- Ved afmontering af batteripakken trækkes den ud af værktøjet, mens der trykkes på knappen foran på pakken.
- Ved montering af batteripakken justeres tungen på batteripakken med rillen i huset, hvorefter pakken skubbes på plads. Sæt den altid hele vejen ind, indtil den låses på plads med et lille klik. Hvis den røde del øverst på knappen er synlig, er batteripakken ikke låst helt fast. Sæt den helt ind, indtil den røde del ikke er synlig. Ellers kan den falde ud af værktøjet og skade Dem eller andre personer i nærheden.
- Brug ikke magt ved montering af batteripakken. Hvis den ikke glider let ind, er den ikke indsat korrekt.

### Betjening af kontakt (Fig. 2)

#### FORSIGTIG:

- Før batteripakken sættes i værktøjet, skal De altid kontrollere, at kontaktgrebet reagerer korrekt og vender tilbage i "OFF"-stillingen, når De slipper det. For at starte værktøjet skal De blot trykke på kontakten. Værktøjets hastighed føreges ved at trykke hårdere på kontaktgrebet. Slip kontaktgrebet for at stoppe.

### Tænding af lampen (Fig. 3)

#### FORSIGTIG:

- Se ikke direkte ind i lyset eller lyskilden. Træk i kontaktgrebet for at tænde lampen. Lampen forbliver tændt, så længe der trækkes i kontaktgrebet. Lampen slukkes 10-15 sekunder efter, at grebet slippes.

#### BEMÆRK:

- Benyt en tør klud til at tørre snavs af lampens linse. Pas på ikke at ridse lampens linse, da det kan mindske lysstyrken.

### Betjening af skiftekontakten (Fig. 4)

Værktøjet har en skiftekontakt til at ændre rotationsretningen. Tryk skiftekontakten mod "A"-siden for rotation med uret eller mod "B"-siden for rotation mod uret. Når skiftekontakthåndtaget er i neutral stilling, kan kontaktgrebet ikke trækkes ind.

#### FORSIGTIG:

- Kontroller altid rotationsretningen før anvendelsen.
- Betjen ikke skiftekontakten, før værktøjet er helt stoppet. Hvis rotationsretningen ændres, når værktøjet ikke er helt stoppet, kan det beskadige værktøjet.
- Sæt altid skiftekontakthåndtaget i neutral stilling, når værktøjet ikke betjenes.

### Ændring af hastigheden (Fig. 5)

Hvis De vil ændre hastigheden, skal De først slukke for værktøjet og derefter trække hastighedshåndtaget mod siden "2" for høj hastighed eller mod siden "1" for lav hastighed. Kontroller før anvendelsen, at hastighedshåndtaget er i den korrekte stilling. Brug den rette hastighed til jobbet.

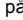
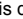
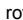
#### FORSIGTIG:

- Sæt altid hastighedshåndtaget helt ud i den rette stilling. Hvis værktøjet betjenes med hastighedshåndtaget indstillet halvvejs mellem "1" og "2", kan det beskadige værktøjet.


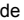

- Betjen ikke hastighedshåndtaget, mens værktøjet kører. Dette kan beskadige værktøjet.

## Valg af funktionstilstand (Fig. 6)

Værktøjet har et håndtag til skift af funktionstilstand. Brug håndtaget til at vælge den af de tre tilstande, der passer til Deres arbejde.

Skub håndtaget, så det peger mod mærket  på værktøjet, hvis der kun ønskes rotation. Skub håndtaget, så det peger mod mærket  på værktøjet, hvis der ønskes rotation med slag. Skub håndtaget, så det peger mod mærket  på værktøjet, hvis der ønskes rotation med udkobling.

### BEMÆRK:

- Når håndtaget til funktionsskift flyttes fra " " til " ", kan det være vanskeligt at flytte håndtaget. I så fald kan De tænde for værktøjet og lade det køre et øjeblik i stillingen " " og derefter stoppe værktøjet og flytte håndtaget til den ønskede stilling.

### FORSIGTIG:

- Indstil altid håndtaget korrekt til mærket for den ønskede tilstand. Hvis værktøjet betjenes med håndtaget placeret midt mellem tilstandsmærkerne, kan værktøjet blive beskadiget.

## Justeringsmomentet (Fig. 7)

Strammingsmomentet kan indstilles til 16 trin ved at dreje på justeringsringen, så dens gradinddelinger er justeret med pilen på værktøjet. Strammingsmomentet er mindst, når tallet 1 er justeret med pilen, og højst, når tallet 16 er justeret med pilen.

Før den faktiske anvendelse skal De sætte en prøveskrue i arbejdsemnet eller i et stykke lignende materiale for at bestemme, hvilket moment der kræves til en bestemt anvendelse.

## MONTERING

### FORSIGTIG:

- Sørg altid for, at værktøjet er slukket, og at batteripakken er taget ud, før De udfører nogen form for arbejde på værktøjet.

### Montering af sidegreb (ekstra håndtag) (Fig. 8)

Anvend altid sidehåndtaget af hensyn til betjeningsikkerheden.

Indsæt sidehåndtaget, så fremspringene på håndtagsbasen og stålbandet passer ind mellem rillerne på værktøjscyklinderen. Stram derefter håndtaget ved at dreje det med uret.

### Montering eller afmontering af drevspidsen eller borespidsen (Fig. 9)

Drej muffen mod uret for at åbne patronkæberne. Sæt spidsen i patronen, til den ikke kan komme længere ind. Drej muffen med uret for at stramme patronen. Drej muffen mod uret for at tage spidsen ud.

### Montering af spidsholderen (Fig. 10)

Indsæt spidsholderen i fremspringet på værktøjets fod i højre eller venstre side, og fastgør den med en skrue.

Opbevar drevspidserne i spidsholderne, når de ikke anvendes.

Der kan opbevares spidser på 45 mm.

### Justerbar dybdemåler (Fig. 11)

Den justerbare dybdemåler gør det muligt at bore huller med samme dybde. Løs tilspændingsskruen, indstil måleren til den ønskede position, og stram derefter tilspændingsskruen.

### Krog (Fig. 12)

Krogen er nyttig til midlertidig ophængning af værktøjet. Den kan monteres i begge sider af værktøjet.

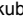
For at montere krogen indsættes den i en rille i værktøjet på en af siderne, hvorefter den fastgøres med en skrue. Den afmonteres ved at løsne skruen og tage den ud.

## BETJENING

### Betjening ved slagboring (Fig. 13)

#### FORSIGTIG:

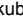
- Værktøjet og spidsen udsættes for en voldsom og pludselig kraft på det tidspunkt, hvor spidsen bryder igennem, når hullet tilstoppes med spåner og partikler, eller når værktøjet rammer armeringsjern i beton. Anvend altid sidehåndtaget (ekstra håndtag), og hold godt fast i værktøjet i både sidehåndtaget og kontakthåndtaget under betjening. Hvis De ikke gør dette, kan De miste kontrollen med maskinen, hvilket kan forårsage alvorlig personskade.

Skub først håndtaget til skift af funktionstilstand, så det vender mod  -mærket. Justeringsringen kan indstilles til alle strammingsmomenter til denne funktion. Sørg for at bruge en wolframkarbid-forstærket spids. Placer spidsen på det sted, hvor hullet skal bores, og træk i kontaktagrebet. Brug ikke magt på værktøjet. Et let tryk giver det bedste resultat. Hold værktøjet på positionen, og undgå, at det glider væk fra hullet. Anvend ikke mere tryk, når hullet bliver tilstoppet med spåner eller partikler. Lad i stedet værktøjet køre i tomgang, og tag spidsen delvist ud af hullet. Når De gentager denne fremgangsmåde flere gange, tømmes hullet, og De kan fortsætte med at bore.

### Udblæsningskolbe (fås som tilbehør) (Fig. 14)

Når hullet er boret, kan De bruge udblæsningskolben til at fjerne støv fra hullet.

### Anvendelse som skruetrækker

Skub først håndtaget til skift af funktionstilstand, så det vender mod  -mærket. Indstil justeringsringen til det rigtige strammingsmoment til formålet. Benyt derefter følgende fremgangsmåde.

Placer drevspidsen i skruehovedet, og tryk med værktøjet. Start værktøjet langsomt, og forøg gradvist hastigheden. Slip kontaktagrebet, så snart koblingen slår fra.

#### BEMÆRK:

- Sørg for, at drevspidsen sættes lige ned i skruehovedet. I modsat fald kan skruen og/eller spidsen blive beskadiget.

- Ved skruning af træskrue skal De forbore styrehuller for at gøre det lettere at sætte skrueene i og for at forhindre, at arbejdsemnet flækker. Se diagrammet.

Nominal diameter af træskruer (mm)	Anbefalet størrelse af styrehul (mm)
3,1	2,0 – 2,2
3,5	2,2 – 2,5
3,8	2,5 – 2,8
4,5	2,9 – 3,2
4,8	3,1 – 3,4
5,1	3,3 – 3,6
5,5	3,6 – 3,9
5,8	4,0 – 4,2
6,1	4,2 – 4,4


#### BEMÆRK:

- Hvis værktøjet betjenes konstant, indtil batteripakken er afladet, skal De lade værktøjet hvile i 15 minutter, før De fortsætter med et nyt batteri.

## Betjening ved boring

#### FORSIGTIG:

- Boringen går ikke hurtigere, hvis De trykker hårdt på værktøjet. Det ekstra tryk vil blot beskadige spidsen, så værktøjets ydelse forringes, og dets levetid forkortes.
- Værktøjet og spidsen er under påvirkning af stærke kræfter på det tidspunkt, hvor spidsen bryder igennem. Hold godt fast i værktøjet, og vær forsigtig, når spidsen begynder at bryde igennem arbejdsemnet.
- Hvis spidsen sidder fast, kan den tages ud ved blot at indstille skiftekontakten til baglæns rotation for at bakke den ud. Vær imidlertid opmærksom på, at værktøjet kan bakke ud pludseligt, hvis De ikke holder godt fast i det.
- Fastgør altid små arbejdsemner i en skruestik eller lignende udstyr til fastgørelse.
- Hvis værktøjet betjenes konstant, indtil batteripakken er afladet, skal De lade værktøjet hvile i 15 minutter, før De fortsætter med et nyt batteri.

Skub først håndtaget til skift af funktionstilstand, så det vender mod  -mærket. Justeringsringen kan indstilles til alle strammingsmomenter til denne funktion. Benyt derefter følgende fremgangsmåde.

#### Boring i træ

Ved boring i træ opnås de bedste resultater med træbor, som er udstyret med en styreskrue. Styreskruen gør det lettere at bore ved at trække spidsen ind i arbejdsemnet.

#### Boring i metal

Lav en fordybning med en kørner og en hammer på det sted, hvor der skal bores, for at forhindre, at spidsen glider, når De starter på et hul. Placer spidsen i fordybningen, og begynd at bore. Anvend en skæreolie ved boring i metaller. Undtagelser fra denne regel er jern og messing, der skal bores tørre.

## VEDLIGEHOLDELSE

#### FORSIGTIG:

- Sørg altid for, at værktøjet er slukket, og at batteripakken er taget ud, før De forsøger at udføre inspektion eller vedligeholdelse.

### Udskiftning af kulbørsterne (Fig. 15)

Udskift dem, når de er nedslidt til slidgrænsen. Hold kulbørsterne rene og frie til at glide i holderne.

Begge kulbørsterne skal udskiftes samtidig. Brug altid identiske kulbørster.

Brug en skruetrækker til at fjerne de to skrueer og derefter fjerne bagdækslet. (Fig. 16)

Løft armen på fjederen, og placer den i den forsænkede del af huset med en kærvskruetrækker med et tyndt skaft eller lignende. (Fig. 17)

Brug en pincet til at fjerne kulbørstedækslerne fra kulbørsterne. Tag de udslidte kulbørster ud, monter de nye, og monter kulbørstedækslerne i omvendt rækkefølge af ovenstående. (Fig. 18)

Sørg for, at kulbørstedækslerne sidder godt fast i hullerne på børsteholderne. (Fig. 19)

Monter bagdækslet igen, og stram de to skrueer godt. For at holde produktet SIKKERT og PÅLIDELIGT skal reparationer samt al anden vedligeholdelse eller justering udføres af autoriserede Makita-servicecentre, og der skal altid benyttes Makita-reservedele.

## TILBEHØR

#### FORSIGTIG:

- Dette tilbehør eller ekstraudstyr anbefales til brug med det Makita-værktøj, som er beskrevet i denne brugsanvisning. Brug af andet tilbehør eller ekstraudstyr kan forårsage personskade. Brug kun tilbehør eller ekstraudstyr til det formål, det er beregnet til.

Henvend Dem til Deres lokale Makita-servicecenter, hvis De har brug for hjælp eller yderligere oplysninger vedrørende tilbehøret.

- Borespidser
- Slagborespidser
- Skruebits
- Udblæsningskolbe
- Sikkerhedsbriller
- Forskellige typer af originale batterier og opladere fra Makita
- Samling til håndtag
- Dybdemåler
- Krog
- Gummimåttemontering
- Uldhætte
- Skumpoleringsmåtte

**For model BHP444**  
**Kun for lande i Europa**

ENG102-2

**Støj**

Det typiske A-vægtede støjniveau bestemt i overensstemmelse med EN60745:

Lydtryksniveau ( $L_{pA}$ ): 85 dB (A)  
Lydeffektniveau ( $L_{WA}$ ): 96 dB (A)  
Usikkerhed (K): 3 dB (A)

**Bær høreværn.**

**Vibration**

ENG203-1

Den samlede vibrationsværdi (treaksel vektorsum) bestemt i overensstemmelse med EN60745-2-1:

Arbejdstilstand: slagboring i beton  
Vibrationsemission ( $a_{h,D}$ ): 9 m/s<sup>2</sup>  
Usikkerhed (K): 2 m/s<sup>2</sup>

ENG302-2

Arbejdstilstand: boring i metal  
Vibrationsemission ( $a_{h,D}$ ): 2,5 m/s<sup>2</sup> eller mindre  
Usikkerhed (K): 1,5 m/s<sup>2</sup>

**For model BHP454**  
**Kun for lande i Europa**

ENG102-2

**Støj**

Det typiske A-vægtede støjniveau bestemt i overensstemmelse med EN60745:

Lydtryksniveau ( $L_{pA}$ ): 86 dB (A)  
Lydeffektniveau ( $L_{WA}$ ): 97 dB (A)  
Usikkerhed (K): 3 dB (A)

**Bær høreværn.**

**Vibration**

ENG203-1

Den samlede vibrationsværdi (treaksel vektorsum) bestemt i overensstemmelse med EN60745-2-1:

Arbejdstilstand: slagboring i beton  
Vibrationsemission ( $a_{h,D}$ ): 7,5 m/s<sup>2</sup>  
Usikkerhed (K): 1,5 m/s<sup>2</sup>

ENG302-2

Arbejdstilstand: boring i metal  
Vibrationsemission ( $a_{h,D}$ ): 2,5 m/s<sup>2</sup> eller mindre  
Usikkerhed (K): 1,5 m/s<sup>2</sup>

**EC-erklæring vedrørende overholdelse af standarder**

ENH101-12

**Vi, Makita Corporation, erklærer som ansvarlig producent at følgende Makita-maskine(r):**

Maskinens betegnelse: Ledningsfri slagboremaskine  
Modelnummer/ type: BHP444, BHP454  
er en produktionsserie og

**Overholder følgende europæiske direktiver:**

98/37/EC indtil den 28. december 2009 og derefter  
2006/42/EC fra den 29. december 2009

Og er produceret i overensstemmelse med følgende standarder eller standardiserede dokumenter:  
EN60745

Den tekniske dokumentation findes hos vores autoriserede repræsentant i Europa:

Makita International Europe Ltd,  
Michigan, Drive, Tongwell,  
Milton Keynes, MK15 8JD, England

30. januar 2009



Tomoyasu Kato  
Direktør

Makita Corporation  
3-11-8, Sumiyoshi-cho,  
Anjo, Aichi, JAPAN

Περιγραφή γενικής όψης

- |                                 |                         |                           |
|---------------------------------|-------------------------|---------------------------|
| 1. Κόκκινο τμήμα                | 11. Βέλος               | 22. Γάντζος               |
| 2. Κουμπί                       | 12. Ατσάλινος δακτύλιος | 23. Βίδα                  |
| 3. Μπαταρία                     | 13. Βάση λαβής          | 24. Φυσητήρι              |
| 4. Σκανδάλη-διακόπτης           | 14. Πλαϊνή λαβή         | 25. Ένδειξη ορίου         |
| 5. Λάμπα                        | 15. Προεσοχή            | 26. Πίσω κάλυμμα          |
| 6. Αναστροφικό                  | 16. Αυλάκι              | 27. Βίδες                 |
| 7. Μοχλός αλλαγής ταχύτητας     | 17. Περιβλήμα           | 28. Βραχίονας             |
| 8. Μοχλός αλλαγής τρόπου δράσης | 18. Στήριγμα μύτης      | 29. Ελατήριο              |
| 9. Δακτύλιος ρύθμισης           | 19. Μύτη                | 30. Τμήμα με εγκοπή       |
| 10. Διαβάθμιση                  | 20. Ράβδος βάθους       | 31. Καπάκι για καρβουνάκι |
|                                 | 21. Βίδα σύσφιξης       | 32. Οπή                   |

**ΤΕΧΝΙΚΑ ΧΑΡΑΚΤΗΡΙΣΤΙΚΑ**

Μοντέλο		BHP444	BHP454
Δυνατότητες	Τσιμέντο	14 mm	16 mm
	Ατσάλι	13 mm	13 mm
	Ξύλο	50 mm	65 mm
	Ξυλόβιδα	6 mm x 75 mm	10 mm x 89 mm
	Μηχανική βίδα	6 mm	
Ταχύτητα χωρίς φόρτο (min <sup>-1</sup> )	Υψηλή (2)	0 - 1.700	
	Χαμηλή (1)	0 - 400	
Κρούσεις το λεπτό (min <sup>-1</sup> )	Υψηλή (2)	0 - 25.500	
	Χαμηλή (1)	0 - 6.000	
Ολικό μήκος		243 mm	
Καθαρό βάρος		2,3 kg	2,4 kg
Ονομαστική τάση		D.C. 14,4 V	D.C. 18 V

- Λόγω του συνεχόμενου προγράμματος που εφαρμόζουμε για έρευνα και ανάπτυξη, τα τεχνικά χαρακτηριστικά στο παρόν έντυπο υπόκεινται σε αλλαγή χωρίς προειδοποίηση.
- Τα τεχνικά χαρακτηριστικά μπορεί να διαφέρουν από χώρα σε χώρα.
- Βάρος μαζί με την μπαταρία σύμφωνα με τη διαδικασία της EPTA 01/2003

**Προοριζόμενη χρήση**

ENE039-1

Το εργαλείο προορίζεται για κρουστικό τρυπάνισμα σε τούβλα, τσιμέντο και πέτρα, καθώς και για τρυπάνισμα, όχι κρουστικό, σε ξύλο, μέταλλο, κεραμικό και πλαστικό.

**ΕΙΔΙΚΟΙ ΚΑΝΟΝΕΣ ΑΣΦΑΛΕΙΑΣ**

GEB003-4

**ΜΗΝ επιτρέψετε στη βολικότητα ή στην εξοικειωσή σας με το προϊόν (που αποκτήθηκε από επανειλημμένη χρήση) να αντικαταστήσει την αυστηρή προσήλωση στους κανόνες ασφάλειας του κρουστικού τρυπανιού. Αν χρησιμοποιήσετε το ηλεκτρικό εργαλείο αυτό με ανασφαλές ή λανθασμένο τρόπο, μπορεί να υποστείτε σοβαρό προσωπικό τραυματισμό.**

1. **Να φοράτε γυαλιά προστασίας κατά την κρουστική διάτρηση.** Η έκθεση σε θόρυβο μπορεί να προκαλέσει απώλεια ακοής.
2. **Να χρησιμοποιείτε τη βοηθητική λαβή(ες), εάν παρέχονται με το εργαλείο.** Η απώλεια του ελέγχου μπορεί να προκαλέσει προσωπικό τραυματισμό.
3. **Να κρατάτε το ηλεκτρικό εργαλείο από τις μονωμένες λαβές όταν εκτελείτε εργασίες κατά τις οποίες το κοπτικό εξάρτημα μπορεί να έρθει σε**

**επαφή με μη ορατά καλώδια ή με το δικό του**

**καλώδιο τροφοδοσίας.** Αν το κοπτικό εξάρτημα έρθει σε επαφή με κάποιο ηλεκτροφόρο καλώδιο, τα εκτεθειμένα μεταλλικά μέρη του ηλεκτρικού εργαλείου θα γίνουν κι αυτά ηλεκτροφόρα και μπορεί να προκληθεί ηλεκτροπληξία στο χειριστή.

4. **Να βεβαιώνετε πάντοτε ότι στέκεστε σταθερά. Όταν χρησιμοποιείτε το εργαλείο σε υψηλές τοποθεσίες, να βεβαιώνετε ότι δεν βρίσκεται κανένας από κάτω.**
5. **Να κρατάτε το εργαλείο γερά και με τα δύο χέρια.**
6. **Μην πλησιάζετε τα χέρια σας σε περιστρεφόμενα μέρη.**
7. **Μην αφήνετε το εργαλείο σε λειτουργία. Το εργαλείο πρέπει να βρίσκεται σε λειτουργία μόνο όταν το κρατάτε.**
8. **Μην αγγίζετε τη μύτη ή το τεμάχιο εργασίας αμέσως μετά τη λειτουργία του εργαλείου. Μπορεί να είναι εξαιρετικά θερμά και να προκληθεί έγκαυμα στο δέρμα σας.**
9. **Μερικά υλικά περιέχουν χημικές ουσίες που μπορεί να είναι τοξικές. Να προσέχετε ώστε να αποφεύγετε την εισπνοή της σκόνης και την επαφή με το δέρμα. Ακολουθείτε τα δεδομένα**

ασφάλειας υλικού που παρέχονται από τον προμηθευτή.

## ΦΥΛΑΞΤΕ ΑΥΤΕΣ ΤΙΣ ΟΔΗΓΙΕΣ.

### ΠΡΟΕΙΔΟΠΟΙΗΣΗ:

Η ΛΑΝΘΑΣΜΕΝΗ ΧΡΗΣΗ ή η αμέλεια να ακολουθήσετε τους κανόνες ασφάλειας που διατυπώνονται στο παρόν εγχειρίδιο οδηγιών μπορεί να προκαλέσει σοβαρό προσωπικό τραυματισμό.

## ΣΗΜΑΝΤΙΚΕΣ ΟΔΗΓΙΕΣ ΑΣΦΑΛΕΙΑΣ

ENC007-4

## ΓΙΑ ΤΗΝ ΜΠΑΤΑΡΙΑ

1. Πριν χρησιμοποιήσετε την μπαταρία, διαβάστε όλες τις οδηγίες και τις ενδείξεις προφύλαξης στο (1) φορτιστή μπαταρίας, (2) την μπαταρία και (3) το προϊόν στο οποίο χρησιμοποιείται η μπαταρία.
2. Μην αποσυναρμολογείτε την μπαταρία.
3. Εάν ο χρόνος λειτουργίας της μπαταρίας είναι υπερβολικά σύντομος, διακόψτε αμέσως τη λειτουργία. Εάν συνεχίσετε, μπορεί να έχει ως αποτέλεσμα κίνδυνο υπερθέρμανσης, πιθανών εγκαυμάτων κι ακόμη έκρηξης.
4. Αν μπει στα μάτια σας ηλεκτρολύτης, ξεπλύνετε με καθαρό νερό και αναζητήστε αμέσως ιατρική βοήθεια. Μπορεί να χάσετε την όρασή σας.
5. Μην βραχυκυκλώνετε την μπαταρία:
  - (1) Μην αγγίζετε τους ακροδέκτες με αγώγιμο υλικό.
  - (2) Μην αποθηκεύετε την μπαταρία σε δοχείο με άλλα μεταλλικά αντικείμενα, όπως καρφιά, νομίσματα, κτλ.
  - (3) Μην εκθέτετε την μπαταρία σε νερό ή βροχή. Αν βραχυκυκλωθεί η μπαταρία, μπορεί να προκληθεί μεγάλη ροή ηλεκτρικού ρεύματος, υπερθέρμανση, πιθανά εγκαύματα και ακόμη καταστροφή της μπαταρίας.
6. Μην αποθηκεύετε το εργαλείο και τη μπαταρία σε μέρη όπου η θερμοκρασία μπορεί να φτάσει ή να ξεπεράσει τους 50°C (122°F).
7. Μην αποτεφρώνετε την μπαταρία ακόμη κι αν παρουσιάζει σοβαρή ζημιά ή είναι εντελώς φθαρμένη. Η μπαταρία μπορεί να εκραγεί σε φωτιά.
8. Να προσέχετε να μη σας πέσει η μπαταρία και να μη συγκρουστεί με κάποιο αντικείμενο.
9. Μην χρησιμοποιήσετε μια μπαταρία που έχει πέσει κάτω ή είναι χτυπημένη.

## ΦΥΛΑΞΤΕ ΑΥΤΕΣ ΤΙΣ ΟΔΗΓΙΕΣ.

### Συμβουλές για τη διατήρηση της μέγιστης ζωής της μπαταρίας

1. Να φορτίζετε την μπαταρία πριν αποφορτιστεί εντελώς. Πάντοτε να διακόπτετε τη λειτουργία του εργαλείου και να φορτίζετε την μπαταρία όταν παρατηρείται μειωμένη ισχύς του εργαλείου.
2. Ποτέ μην επαναφορτίζετε μια πλήρως φορτισμένη μπαταρία. Εάν υπερφορτίσετε την μπαταρία, μειώνεται η ωφέλιμη διάρκεια ζωής της.

3. Να φορτίζετε την μπαταρία σε θερμοκρασία δωματίου, δηλαδή στους 10°C έως 40°C (50°F έως 104°F). Αν η μπαταρία είναι θερμή, αφήστε την να ψυχθεί πριν τη φορτίσετε.

## ΠΕΡΙΓΡΑΦΗ ΛΕΙΤΟΥΡΓΙΑΣ

### ΠΡΟΣΟΧΗ:

- Να βεβαιώσετε πάντοτε ότι είναι σβηστό το εργαλείο και αφαιρέσατε την μπαταρία πριν ρυθμίσετε ή ελέγξετε κάποια λειτουργία του εργαλείου.

### Τοποθέτηση ή αφαίρεση της μπαταρίας (Εικ. 1)

- Πάντοτε να σβήνετε το εργαλείο πριν βγάλετε ή βγάλετε τη μπαταρία.
- Για να βγάλετε την μπαταρία, τραβήξτε την από το εργαλείο καθώς σύρετε το κουμπί στο μπροστινό τμήμα της μπαταρίας.
- Για να τοποθετήσετε την μπαταρία, ευθυγραμμίστε τη γλωττίδα στην μπαταρία με την εγκοπή στο περιβλήμα και ολισθήστε τη στη θέση της. Πάντοτε να την τοποθετείτε έως το τέρμα, δηλαδή έως ότου ασφαλίσει στη θέση και ακουστεί ένας χαρακτηριστικός ήχος («κλικ»). Εάν φαίνεται το κόκκινο τμήμα στην άνω πλευρά του κουμπιού, δεν είναι πλήρως ασφαλισμένη. Εισάγετε την πλήρως για να μη φαίνεται το κόκκινο τμήμα. Σε αντίθετη περίπτωση, μπορεί να πέσει κατά λάθος από το εργαλείο και να τραυματίσει εσάς ή κάποιον παρευρισκόμενο.
- Μην χρησιμοποιείτε δύναμη όταν τοποθετείτε την μπαταρία. Αν η μπαταρία δεν ολισθαίνει με ευκολία, δεν την εισάγετε σωστά.

### Δράση διακόπτη (Εικ. 2)

#### ΠΡΟΣΟΧΗ:

- Πριν βγάλετε την μπαταρία στο εργαλείο, πάντοτε να ελέγχετε ότι η σκανδάλη-διακόπτης ενεργοποιείται κανονικά και επιστρέφει στη θέση OFF όταν την αφήνετε.

Για να ξεκινήσετε το εργαλείο, απλώς πατήστε τη σκανδάλη-διακόπτη. Αν αυξήσετε την πίεση στη σκανδάλη-διακόπτη, αυξάνεται η ταχύτητα του εργαλείου. Για να σταματήσετε, αφήστε τη σκανδάλη-διακόπτη.

### Άναμμα της μπροστινής λάμπας (Εικ. 3)

#### ΠΡΟΣΟΧΗ:

- Μην κοιτάτε κατευθείαν μέσα στο φως ή στην πηγή φωτός.

Τραβήξτε τη σκανδάλη-διακόπτη για να ανάψετε τη λάμπα. Η λάμπα εξακολουθεί να είναι αναμμένη όσο τραβάτε τη σκανδάλη-διακόπτη. Η λάμπα σβήνει σε 10 έως 15 δευτερόλεπτα αφού αφήσετε τη σκανδάλη.

#### ΠΑΡΑΤΗΡΗΣΗ:

- Χρησιμοποιήστε ένα στεγνό πανί για να σκουπίσετε τη σκόνη από το φακό της λάμπας. Προσέχετε να μη γρατσούνισετε το φακό της λάμπας, διότι έτσι ενδέχεται να μειωθεί η ένταση του φωτισμού.

### Δράση αναστροφικού (Εικ. 4)

Το εργαλείο αυτό διαθέτει αναστροφικό για να αλλάζει η κατεύθυνση περιστροφής. Πατήστε το αναστροφικό από



την πλευρά «Α» για δεξιόστροφη περιστροφή ή από την πλευρά «Β» για αριστερόστροφη περιστροφή. Όταν το αναστροφικό βρίσκεται στην ουδέτερη θέση, δεν μπορείτε να πατήσετε τη σκανδάλη-διακόπτη.

#### **ΠΡΟΣΟΧΗ:**

- Πριν από τη λειτουργία, να ελέγχετε πάντοτε την κατεύθυνση περιστροφής.
- Χρησιμοποιήστε το αναστροφικό μόνο όταν το εργαλείο είναι εντελώς ακινητοποιημένο. Αν αλλάξετε την κατεύθυνση περιστροφής πριν ακινητοποιηθεί το εργαλείο, μπορεί να προκληθεί βλάβη στο εργαλείο.
- Όταν δεν χειρίζεστε το εργαλείο, να βάζετε πάντοτε το αναστροφικό στην ουδέτερη θέση.




### **Αλλαγή ταχύτητας (Εικ. 5)**

Για να αλλάξετε την ταχύτητα, σβήστε πρώτα το εργαλείο και κατόπιν στρώστε το μοχλό αλλαγής ταχύτητας στην πλευρά «2» για υψηλή ταχύτητα ή στην πλευρά «1» για χαμηλή ταχύτητα. Πριν από τη λειτουργία, βεβαιωθείτε ότι ο μοχλός αλλαγής ταχύτητας είναι ρυθμισμένος στη σωστή θέση. Να χρησιμοποιείτε τη σωστή ταχύτητα, ανάλογα με την εργασία σας.




#### **ΠΡΟΣΟΧΗ:**

- Να ρυθμίζετε πάντοτε το μοχλό αλλαγής ταχύτητας πλήρως στη σωστή θέση. Αν χειρίζεστε το εργαλείο με το μοχλό αλλαγής ταχύτητας να βρίσκεται μεταξύ της πλευράς «1» και «2», μπορεί να προκληθεί βλάβη στο εργαλείο.
- Μη χρησιμοποιείτε το μοχλό αλλαγής ταχύτητας όταν λειτουργεί το εργαλείο. Μπορεί να προκληθεί βλάβη στο εργαλείο.

### **Επιλογή του τρόπου δράσης (Εικ. 6)**

Το εργαλείο αυτό διαθέτει μοχλό αλλαγής τρόπου δράσης. Επιλέξτε με το μοχλό αυτό έναν από τους τρεις τρόπους, ο οποίος είναι κατάλληλος για την εργασία σας. Για περιστροφή μόνο, ολισθήστε το μοχλό ώστε να δείχνει προς την ένδειξη  στο σώμα του εργαλείου. Για περιστροφή με κρουστική δύναμη, ολισθήστε το μοχλό ώστε να δείχνει προς την ένδειξη  στο σώμα του εργαλείου. Για περιστροφή με σύσφιξη, ολισθήστε το μοχλό ώστε να δείχνει προς την ένδειξη  στο σώμα του εργαλείου.

#### **ΣΗΜΕΙΩΣΗ:**

- Όταν αλλάζετε τη θέση από «» σε «», ίσως δυσκολευτείτε να ολισθήσετε το μοχλό αλλαγής τρόπου δράσης. Σε αυτήν την περίπτωση, ενεργοποιήστε το εργαλείο και θέστε το σε λειτουργία για ένα δευτερόλεπτο στη θέση «». Κατόπιν σταματήστε το εργαλείο και ολισθήστε το μοχλό στη θέση που επιθυμείτε.

#### **ΠΡΟΣΟΧΗ:**

- Να ρυθμίζετε πάντοτε το μοχλό σωστά στην ένδειξη για τον τρόπο δράσης που θέλετε. Εάν θέσετε το εργαλείο σε λειτουργία με το μοχλό τοποθετημένο μεταξύ των ενδείξεων τρόπου δράσης, μπορεί να προκληθεί βλάβη στο εργαλείο.

### **Ρύθμιση της ροπής στερέωσης (Εικ. 7)**

Μπορείτε να ρυθμίσετε τη ροπή στερέωσης σε 16 βήματα αν περιστρέψετε το δακτύλιο ρύθμισης με τρόπο ώστε οι διαβαθμίσεις του να ευθυγραμμίζονται με το βέλος στο

κύριο σώμα του εργαλείου. Η ροπή στερέωσης είναι η ελάχιστη όταν ο αριθμός 1 είναι ευθυγραμμισμένος με το βέλος, ενώ είναι η μέγιστη όταν ο αριθμός 16 είναι ευθυγραμμισμένος με το βέλος.

Πριν από τη λειτουργία, βιδώστε μια δοκιμαστική βίδα στο υλικό σας ή σε ένα κομμάτι πανοιχθημένου υλικού για να καθορίσετε το επίπεδο ροπής που απαιτείται για τη συγκεκριμένη εφαρμογή.

## **ΣΥΝΑΡΜΟΛΟΓΗΣΗ**

#### **ΠΡΟΣΟΧΗ:**

- Να βεβαιώνετε πάντοτε ότι το εργαλείο είναι σβηστό και αποσυνδεδεμένο από το ηλεκτρικό ρεύμα πριν εκτελέσετε οποιαδήποτε εργασία σε αυτό.

### **Τοποθέτηση πλευρικής λαβής (βοηθητική λαβή) (Εικ. 8)**

Να χρησιμοποιείτε πάντα την πλαινιά λαβή για να εξασφαλίζετε την ασφάλεια κατά τη λειτουργία. Τοποθετήστε την πλευρική λαβή έτσι ώστε οι προεξοχές στη βάση της λαβής και στον ασάλινο δακτύλιο να προσαρμόζονται ανάμεσα στα αυλάκια στο κύριο τμήμα του εργαλείου. Κατόπιν περιστρέψτε τη λαβή δεξιόστροφα για να τη σφίξετε.

### **Τοποθέτηση ή αφαίρεση της μύτης βιδώματος ή της μύτης τρυπανιού (Εικ. 9)**

Στρέψτε το περίβλημα αριστερόστροφα για να ανοίξετε τις σιαγόνες κεφαλής. Τοποθετήστε τη μύτη στην κεφαλή έως το τέρμα. Στρέψτε το περίβλημα δεξιόστροφα για να σφίξετε την κεφαλή.

Για να βγάλετε τη μύτη, στρέψτε το περίβλημα αριστερόστροφα.

### **Τοποθέτηση του στηρίγματος μύτης (Εικ. 10)**

Προσαρμόστε το στηρίγμα μύτης μέσα στην προεξοχή στο κάτω μέρος του εργαλείου, στη δεξιά ή την αριστερή πλευρά και ασφαλίστε το με μια βίδα.

Όταν δεν χρησιμοποιείτε τη μύτη βιδώματος, φυλάσσετε τη στα στηρίγματα μύτης.

Μπορείτε να φυλάσσετε εκεί μύτες με μήκος 45 mm.

### **Ρύθμιση βάθους κοπής (Εικ. 11)**

Η ρυθμιζόμενη ράβδος βάθους χρησιμοποιείται για το τρυπάνισμα οπών με ίδιο βάθος. Χαλαρώστε τη βίδα σύσφιξης, ρυθμίστε τη στη θέση που επιθυμείτε και κατόπιν σφίξτε τη βίδα σύσφιξης.

### **Γάντζος (Εικ. 12)**

Ο γάντζος χρησιμεύει για το προσωρινό κρέμασμα του εργαλείου.

Μπορείτε να τον τοποθετήσετε σε οποιαδήποτε πλευρά του εργαλείου.

Για να τοποθετήσετε το γάντζο, βάλτε τον σε μια εγκοπή στο περίβλημα του εργαλείου σε οποιαδήποτε πλευρά του και κατόπιν ασφαλίστε τον με μια βίδα.


Για να τον βγάλετε, χαλαρώστε τη βίδα και κατόπιν αφαιρέστε τον.

# ΛΕΙΤΟΥΡΓΙΑ

## Λειτουργία τρυπανίσματος με κρούση (Εικ. 13)

### ΠΡΟΣΟΧΗ:


- Ασκείται μια τεράστια και ξαφνική δύναμη στρέψης στο εργαλείο/μύτη τη στιγμή που διαπερνάει η τρύπα, όταν η τρύπα φράσσει με θραύσματα και σωματίδια ή όταν το εργαλείο/μύτη χτυπάει ράβδους ενίσχυσης που είναι ενσωματωμένες στο τσιμέντο. Να χρησιμοποιείτε πάντα την πλαινή λαβή (βοηθητική λαβή) και, κατά τη λειτουργία, να κρατάτε το εργαλείο καλά και από την πλαινή λαβή και από τη λαβή του διακόπτη. Αν δεν το κάνετε αυτό, μπορεί να έχει ως αποτέλεσμα την απώλεια ελέγχου του εργαλείου και πιθανώς το σοβαρό τραυματισμό.

Αρχικά, ολισθήστε το μοχλό αλλαγής του τρόπου δράσης ώστε να δείχνει προς την ένδειξη . Για τη λειτουργία αυτή, μπορείτε να ευθυγραμμίσετε το δακτύλιο ρύθμισης σε οποιοδήποτε επίπεδο ροπής. Βεβαιωθείτε ότι χρησιμοποιείτε μύτη με άκρο βολφραμίου-καρβιδίου. Τοποθετήστε τη μύτη στη θέση που επιθυμείτε να τρυπανίσετε και κατόπιν τραβήξτε τη σκανδάλη-διακόπτη. Μην ασκείτε πίεση στο εργαλείο. Θα έχετε καλύτερα αποτελέσματα με ελαφριά πίεση. Να διατηρείτε το εργαλείο στη θέση του και να αποφεύγετε την ολισθησή του από την τρύπα. Μην ασκείτε περισσότερη πίεση σε περίπτωση που η οπή φράξει με θραύσματα ή σωματίδια. Αντ' αυτού, σταματήστε αργά τη λειτουργία του εργαλείου και κατόπιν βγάλτε τη μύτη μερικώς από την οπή. Αν επαναλάβετε τη διαδικασία αυτή μερικές φορές, η οπή θα καθαρίσει και θα μπορείτε να συνεχίσετε κανονικά το τρυπάνισμα.

## Φυσητήρι (προαιρετικό αξεσουάρ) (Εικ. 14)

Μετά από το τρυπάνισμα της τρύπας, χρησιμοποιήστε το φυσητήρι για να καθαρίσετε τη σκόνη από την τρύπα.

## Λειτουργία βιδώματος

Αρχικά, ολισθήστε το μοχλό αλλαγής του τρόπου δράσης ώστε να δείχνει προς την ένδειξη . Θέστε το δακτύλιο ρύθμισης στο σωστό επίπεδο ροπής για την εργασία σας. Κατόπιν, συνεχίστε όπως περιγράφεται στη συνέχεια. Τοποθετήστε το άκρο της μύτης βιδώματος στην κεφαλή της βίδας και ασκήστε πίεση στο εργαλείο. Ξεκινήστε αργά το εργαλείο και κατόπιν αυξήστε σταδιακά την ταχύτητα. Αφήστε τη σκανδάλη-διακόπτη μόλις ολισθήσει ο σφιγκτήρας.

### ΣΗΜΕΙΩΣΗ:

- Βεβαιωθείτε ότι τοποθετήσατε τη μύτη βιδώματος απευθείας στην κεφαλή της βίδας. Διαφορετικά, μπορεί να προκληθεί βλάβη στη βίδα ή/και στη μύτη.
- Όταν βιδώνετε ξυλόβιδες, τρυπανίστε από πριν καθοδηγητικές οπές για να διευκολύνετε το βιδωμα και να αποφυγείτε τη διάσπαση του ξύλου. Ανατρέξτε στον πίνακα.

Ονομαστική διάμετρος της ξυλόβιδας (mm)	Συνιστώμενο μέγεθος καθοδηγητικής οπής (mm)
3,1	2,0 - 2,2
3,5	2,2 - 2,5
3,8	2,5 - 2,8
4,5	2,9 - 3,2
4,8	3,1 - 3,4
5,1	3,3 - 3,6
5,5	3,6 - 3,9
5,8	4,0 - 4,2
6,1	4,2 - 4,4


### ΣΗΜΕΙΩΣΗ:

- Αν το εργαλείο λειτουργεί συνεχόμενα έως ότου αποφορτιστεί η μπαταρία, αφήστε το εργαλείο σβηστό για 15 λεπτά πριν συνεχίσετε την εργασία με καινούργια μπαταρία.

## Λειτουργία τρυπανίσματος

### ΠΡΟΣΟΧΗ:

- Δεν θα επιταχυνθεί το τρυπάνισμα αν πιέζετε υπερβολικά το εργαλείο. Στην πραγματικότητα, αυτή η υπερβολική πίεση απλώς θα προκαλέσει βλάβη στη μύτη τρυπανιού, θα μειώσει την απόδοση του τρυπανιού και θα συντομεύσει την ωφέλιμη διάρκεια ζωής του εργαλείου.
- Ασκείται τεράστια δύναμη στο εργαλείο/μύτη τη στιγμή που διαπερνάει η οπή. Κρατήστε το εργαλείο σταθερά και προσέχετε όταν η μύτη ξεκινήσει να διαπερνάει το τεμάχιο εργασίας.
- Μπορείτε να βγάλετε μια μύτη που έχει εμπλακεί ρυθμίζοντας απλώς το αναστροφικό σε αντίστροφη κατεύθυνση περιστροφής ώστε να αποσυρθεί το απότομα αν δεν το κρατάτε σταθερά.
- Να στερεώνετε πάντοτε τα μικρά τεμάχια εργασίας σε μέγκενη ή παρόμοια συσκευή.
- Αν το εργαλείο λειτουργεί συνεχόμενα έως ότου αποφορτιστεί η μπαταρία, αφήστε το εργαλείο σβηστό για 15 λεπτά πριν συνεχίσετε την εργασία με καινούργια μπαταρία.

Αρχικά, ολισθήστε το μοχλό αλλαγής του τρόπου δράσης ώστε να δείχνει προς την ένδειξη . Για τη λειτουργία αυτή, μπορείτε να ευθυγραμμίσετε το δακτύλιο ρύθμισης σε οποιοδήποτε επίπεδο ροπής. Κατόπιν, συνεχίστε όπως περιγράφεται στη συνέχεια.

### Τρυπάνισμα ξύλου

Όταν τρυπανίζετε σε ξύλο, έχετε καλύτερα αποτελέσματα με μύτες για ξύλο εξοπλισμένες με βίδα οδήγησης. Η βίδα οδήγησης κάνει το τρυπάνισμα ευκολότερο επειδή τραβάει τη μύτη μέσα στο τεμάχιο εργασίας.

### Τρυπάνισμα σε μέταλλο

Για να μην ολισθήσει μια μύτη όταν ξεκινάτε τη δημιουργία μιας τρύπας, κάντε ένα κοίλωμα με πόντα και σφυρί στο σημείο όπου θα τρυπανίσετε. Τοποθετήστε τη μύτη στο κοίλωμα και ξεκινήστε το τρυπάνισμα. Όταν τρυπανίζετε μέταλλα, χρησιμοποιήστε λιπαντικό κοπής. Εξάιρεση αποτελούν το σίδερο και ο χάλυβας τα οποία θα πρέπει να τρυπανίζετε στεγνά.

# ΣΥΝΤΗΡΗΣΗ

## ΠΡΟΣΟΧΗ:

- Να βεβαιώσετε πάντοτε ότι το εργαλείο είναι σβηστό και έχετε αφαιρέσει την μπαταρία πριν εκτελέσετε οποιαδήποτε εργασία ελέγχου ή συντήρησης σε αυτό.

## Αλλαγή των ψηκτρών των καρβουνακίων (Εικ. 15)

Αντικαταστήστε τα όταν έχουν φθαρεί έως την ένδειξη ορίου. Να διατηρείτε τα καρβουνάκια καθαρά και ελεύθερα για να γλιστρούν στις υποδοχές. Πρέπει να αλλάξετε ταυτόχρονα και τα δύο καρβουνάκια. Να χρησιμοποιείτε μόνο καρβουνάκια ίδιου τύπου.

Με ένα καταβίδι, βγάλτε τις δύο βίδες και μετά βγάλτε το πίσω κάλυμμα. (Εικ. 16)

Σηκώστε το τμήμα βραχίονα του ελατηρίου και κατόπιν τοποθετήστε το στο τμήμα εγχοπής του περιβλήματος με ένα λοξό, λεπτό καταβίδι ή παρόμοιο εργαλείο. (Εικ. 17) Χρησιμοποιήστε τανάλια για να αφαιρέσετε τα καπάκια για τα καρβουνάκια. Βγάλτε τα φθαρμένα καρβουνάκια, τοποθετήστε τα καινούργια και τοποθετήστε ξανά τα καπάκια για τα καρβουνάκια με αντίστροφη σειρά. (Εικ. 18)

Βεβαιωθείτε ότι τα καπάκια για τα καρβουνάκια εφαρμόζονται καλά στις οπές στις θήκες καρβουνακίων.

## (Εικ. 19)

Τοποθετήστε ξανά το πίσω κάλυμμα και σφίξτε καλά τις δύο βίδες. Για να διατηρείται η ΑΣΦΑΛΕΙΑ και η ΑΞΙΟΠΙΣΤΙΑ του προϊόντος, οι εργασίες επισκευής, καθώς και οποιαδήποτε άλλη εργασία συντήρησης ή ρύθμισης, θα πρέπει να εκτελούνται σε εξουσιοδοτημένα κέντρα εξυπηρέτησης της Makita, και πάντοτε με τη χρήση ανταλλακτικών της Makita.

# ΕΞΑΡΤΗΜΑΤΑ

## ΠΡΟΣΟΧΗ:

- Συνιστάται η χρήση των παρακάτω αξεσουάρ και εξαρτημάτων με το εργαλείο της Makita μόνο όπως καθορίζεται στο παρόν εγχειρίδιο. Αν χρησιμοποιήσετε άλλα αξεσουάρ ή εξαρτήματα μπορεί να παρουσιαστεί κίνδυνος για πρόκληση ατομικού τραυματισμού. Να χρησιμοποιείτε τα αξεσουάρ και τα εξαρτήματα μόνο για το σκοπό για τον οποίο προορίζονται.

Αν χρειάζεστε κάποια βοήθεια ή περισσότερες πληροφορίες σχετικά με τα αξεσουάρ αυτά, απευθυνθείτε στο πλησιέστερο κέντρο εξυπηρέτησης της Makita.

- Μύτες τρυπανίσματος
- Μύτες τρυπανίσματος του κρουστικού τρυπανιού
- Μύτες βιδώματος
- Φυσητήρι
- Γυαλιά ασφαλείας
- Διάφορα είδη γνήσιων μπαταριών και φορτιστών Makita
- Συναρμολόγηση λαβής
- Ράβδος βάθους
- Γάντζος
- Διάταξη λαστιχένιου βύσματος
- Μάλλινο κάλυμμα
- Αφρώδες βύσμα λείανσης

## Για το Μοντέλο BHP444

ENG102-2

### Για τις Ευρωπαϊκές χώρες μόνο

#### Θόρυβος

Το σύνθηες σταθμισμένο επίπεδο θορύβου που έχει καθοριστεί σύμφωνα με την EN60745:

Επίπεδο ηχητικής πίεσης ( $L_{pA}$ ): 85 dB (A)

Επίπεδο ηχητικής ισχύος ( $L_{WA}$ ): 96 dB (A)

Αβεβαιότητα (K): 3 dB (A)

#### Να φοράτε ωτοασπίδες.

#### Δόνηση

ENG203-1

Η συνολική τιμή δόνησης (διανυσματικό άθροισμα τριών αξόνων) που έχει καθοριστεί σύμφωνα με την EN60745-2-1:

Κατάσταση λειτουργίας: κρουστική διάτρηση σε τσιμέντο

Εκπομπή δόνησης ( $a_{h,1D}$ ): 9 μέτρα/δευτ.<sup>2</sup>

Αβεβαιότητα (K): 2 μέτρα/δευτ.<sup>2</sup>

ENG302-2

Κατάσταση λειτουργίας: διάτρηση σε μέταλλο

Εκπομπή δόνησης ( $a_{h,D}$ ): 2,5 μέτρα/δευτ.<sup>2</sup> ή λιγότερο

Αβεβαιότητα (K): 1,5 μέτρα/δευτ.<sup>2</sup>

## Για το μοντέλο BHP454

### Για τις Ευρωπαϊκές χώρες μόνο

ENG102-2

#### Θόρυβος

Το σύνθηες σταθμισμένο επίπεδο θορύβου που έχει καθοριστεί σύμφωνα με την EN60745:

Επίπεδο ηχητικής πίεσης ( $L_{pA}$ ): 86 dB (A)

Επίπεδο ηχητικής ισχύος ( $L_{WA}$ ): 97 dB (A)

Αβεβαιότητα (K): 3 dB (A)

#### Να φοράτε ωτοασπίδες.

#### Δόνηση

ENG203-1

Η συνολική τιμή δόνησης (διανυσματικό άθροισμα τριών αξόνων) που έχει καθοριστεί σύμφωνα με την EN60745-2-1:

Κατάσταση λειτουργίας: κρουστική διάτρηση σε τσιμέντο

Εκπομπή δόνησης ( $a_{h,1D}$ ): 7,5 μέτρα/δευτ.<sup>2</sup>

Αβεβαιότητα (K): 1,5 μέτρα/δευτ.<sup>2</sup>

ENG302-2

Κατάσταση λειτουργίας: διάτρηση σε μέταλλο

Εκπομπή δόνησης ( $a_{h,D}$ ): 2,5 μέτρα/δευτ.<sup>2</sup> ή λιγότερο

Αβεβαιότητα (K): 1,5 μέτρα/δευτ.<sup>2</sup>

## EC Δήλωση Συμμόρφωσης

ENH101-12

### Η Εταιρία Makita ως υπεύθυνος κατασκευαστής,

### δηλώνει ότι το παρακάτω μηχάνημα ή μηχανήματα

#### της Makita:

Ονομασία Μηχανήματος: Κρουστικό δραπενοκαταβίδιο μπαταρίας

Αρ. Μοντέλου/ Τύπου: BHP444, BHP454

αποτελούν παραγωγή σε σειρά και

### Συμμορφώνονται με τις ακόλουθες Ευρωπαϊκές

### Οδηγίες:

98/37/EK έως την 28η Δεκεμβρίου 2009 και επακόλουθα με την 2006/42/EK από την 29η Δεκεμβρίου 2009

Και κατασκευάζονται σύμφωνα με τα παρακάτω πρότυπα ή τυποποιημένα έγγραφα:

EN60745

Ο εξουσιοδοτημένος μας αντιπρόσωπος στην Ευρώπη  
διατηρεί τα τεχνικά έγγραφα, ο οποίος είναι:

Makita International Europe Ltd,  
Michigan, Drive, Tongwell,  
Milton Keynes, MK15 8JD, England

30η Ιανουαρίου 2009



Tomoyasu Kato  
Διευθυντής  
Makita Corporation  
3-11-8, Sumiyoshi-cho,  
Anjo, Aichi, JAPAN

Makita Corporation  
Anjo, Aichi, Japan

884812A994