



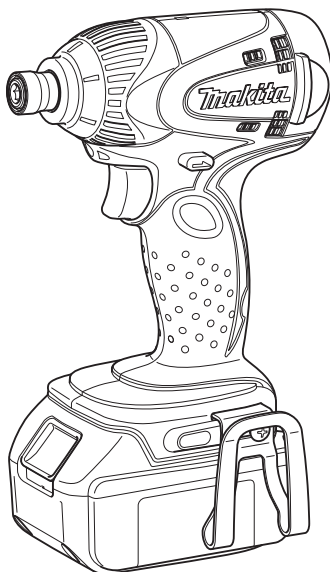
<b>GB</b>	<b>Cordless Impact Driver</b>	<b>Instruction Manual</b>
<b>F</b>	<b>Visseuse à chocs sans fil</b>	<b>Manuel d'instructions</b>
<b>D</b>	<b>Akku-Schlagschrauber</b>	<b>Betriebsanleitung</b>
<b>I</b>	<b>Avvitatore ad impulso a batteria</b>	<b>Istruzioni per l'uso</b>
<b>NL</b>	<b>Accu-slagschroevendraaier</b>	<b>Gebruiksaanwijzing</b>
<b>E</b>	<b>Atornillador de impacto a batería</b>	<b>Manual de instrucciones</b>
<b>P</b>	<b>Berbequim de impacto a bateria</b>	<b>Manual de instruções</b>
<b>DK</b>	<b>Akku slagskruetrækker</b>	<b>Brugsanvisning</b>
<b>GR</b>	<b>Ασύρματό κρουστικό βιδοτρύπανο</b>	<b>Οδηγίες χρήσεως</b>

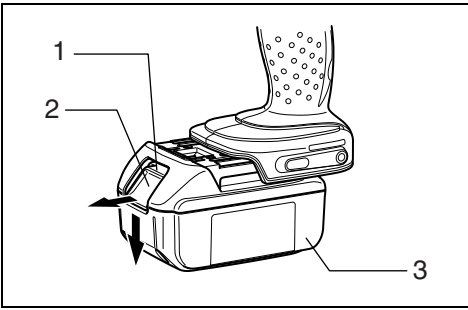
**BTD130F**

**BTD140**

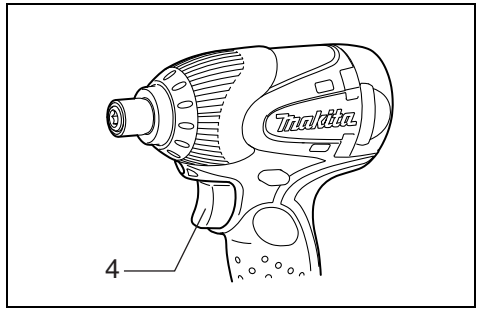
**BTD141**

**BTD142**

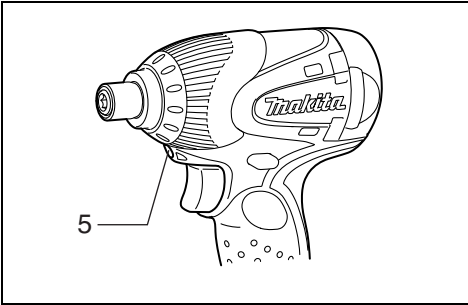




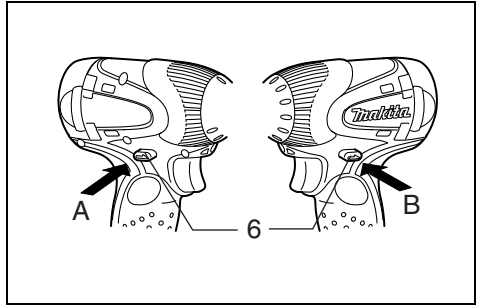
1



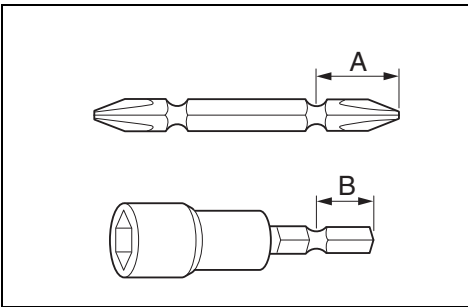
2



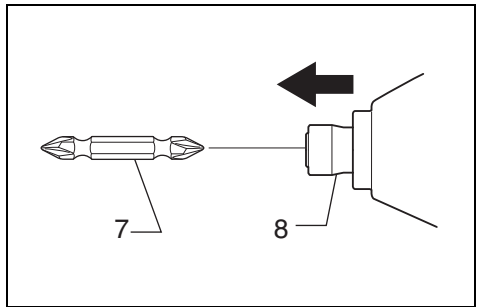
3



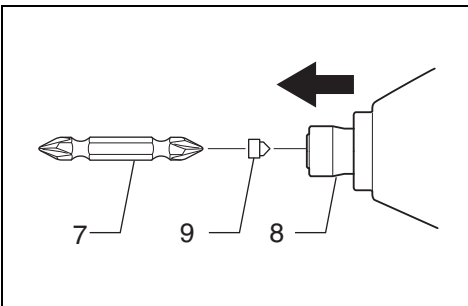
4



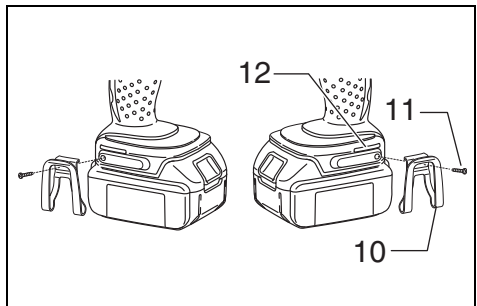
5



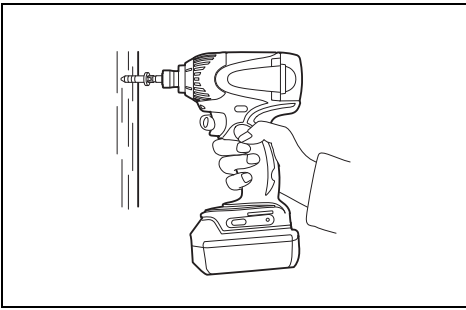
6



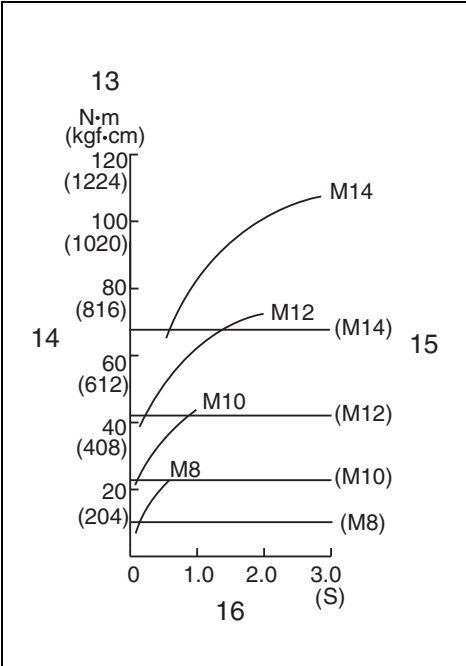
7



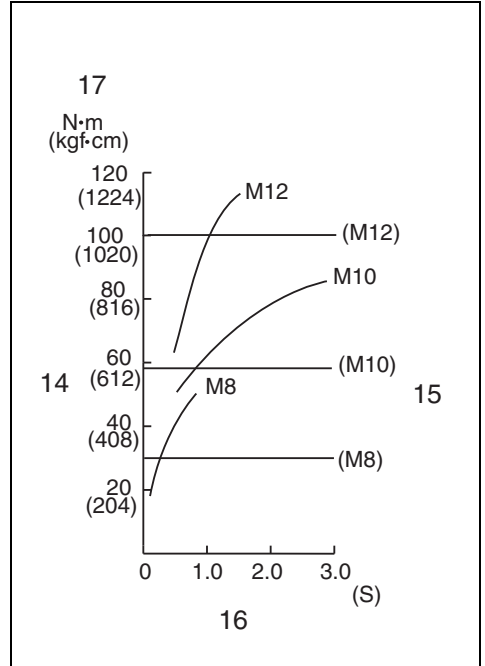
8



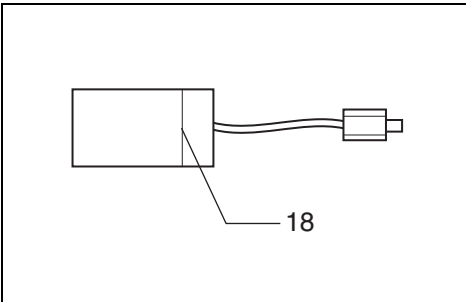
9



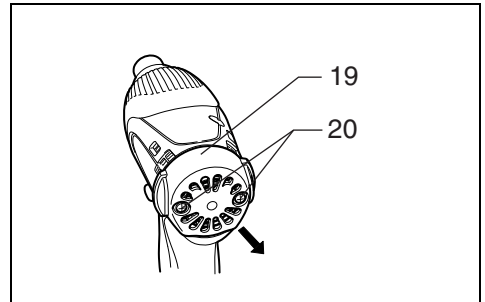
10



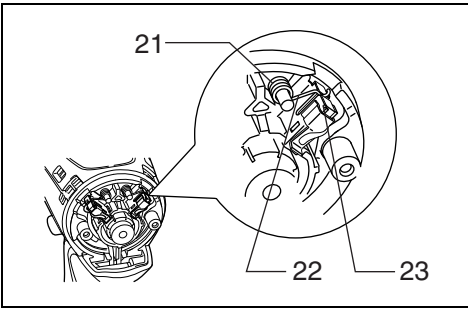
11



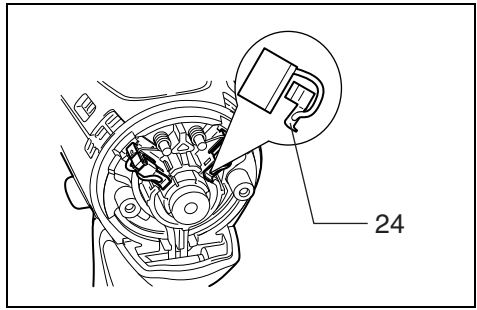
12



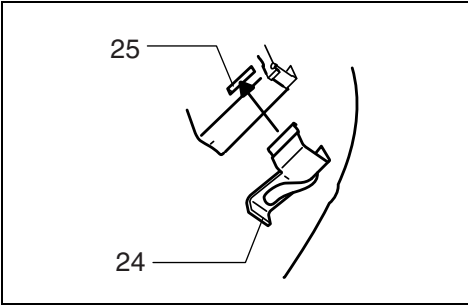
13



**14**



**15**



**16**

**Explanation of general view**

- |                          |                            |                     |
|--------------------------|----------------------------|---------------------|
| 1 Red part               | 10 Hook                    | 19 Rear cover       |
| 2 Button                 | 11 Screw                   | 20 Screws           |
| 3 Battery cartridge      | 12 Groove                  | 21 Spring           |
| 4 Switch trigger         | 13 Standard bolt           | 22 Arm              |
| 5 Lamp                   | 14 Fastening torque        | 23 Recessed part    |
| 6 Reversing switch lever | 15 Proper fastening torque | 24 Carbon brush cap |
| 7 Bit                    | 16 Fastening time          | 25 Hole             |
| 8 Sleeve                 | 17 High tensile bolt       |                     |
| 9 Bit-piece              | 18 Limit mark              |                     |

**SPECIFICATIONS**

Model		BTD130F	BTD140	BTD141	BTD142
Capacities	Machine screw	4 mm – 8 mm			
	Standard bolt	5 mm – 14 mm			
	High tensile bolt	5 mm – 12 mm			
No load speed (min <sup>-1</sup> )		0 – 2,400	0 – 2,300		
Impacts per minute		0 – 3,200			
Overall length		146 mm		145 mm	146 mm
Net weight		1.4 kg	1.3 kg		
Rated voltage		D.C. 14.4 V	D.C. 18 V		

- Due to our continuing program of research and development, the specifications herein are subject to change without notice.
- Specifications and battery cartridge may differ from country to country.
- Weight, with battery cartridge, according to EPTA-Procedure 01/2003

ENE033-1

**Intended use**

The tool is intended for screw driving in wood, metal and plastic.

GEA010-1

ENC007-5

**General Power Tool Safety Warnings**

**⚠ WARNING** Read all safety warnings and all instructions. Failure to follow the warnings and instructions may result in electric shock, fire and/or serious injury.

**Save all warnings and instructions for future reference.**

GEB054-1

**CORDLESS IMPACT DRIVER SAFETY WARNINGS**

1. **Hold power tool by insulated gripping surfaces, when performing an operation where the fastener may contact hidden wiring.** Fasteners contacting a “live” wire may make exposed metal parts of the power tool “live” and could give the operator an electric shock.
2. **Always be sure you have a firm footing. Be sure no one is below when using the tool in high locations.**

3. **Hold the tool firmly.**
4. **Wear ear protectors.**

**SAVE THESE INSTRUCTIONS.**

**WARNING:**

**DO NOT let comfort or familiarity with product (gained from repeated use) replace strict adherence to safety rules for the subject product. MISUSE or failure to follow the safety rules stated in this instruction manual may cause serious personal injury.**

**IMPORTANT SAFETY INSTRUCTIONS**

**FOR BATTERY CARTRIDGE**

1. **Before using battery cartridge, read all instructions and cautionary markings on (1) battery charger, (2) battery, and (3) product using battery.**
2. **Do not disassemble battery cartridge.**
3. **If operating time has become excessively shorter, stop operating immediately. It may result in a risk of overheating, possible burns and even an explosion.**
4. **If electrolyte gets into your eyes, rinse them out with clear water and seek medical attention right away. It may result in loss of your eyesight.**
5. **Do not short the battery cartridge:**
  - (1) **Do not touch the terminals with any conductive material.**
  - (2) **Avoid storing battery cartridge in a container with other metal objects such as nails, coins, etc.**

(3) Do not expose battery cartridge to water or rain.

A battery short can cause a large current flow, overheating, possible burns and even a breakdown.

6. Do not store the tool and battery cartridge in locations where the temperature may reach or exceed 50°C (122°F).
7. Do not incinerate the battery cartridge even if it is severely damaged or is completely worn out. The battery cartridge can explode in a fire.
8. Be careful not to drop or strike battery.
9. Do not use a damaged battery.

**SAVE THESE INSTRUCTIONS.**

**Tips for maintaining maximum battery life**

1. Charge the battery cartridge before completely discharged.  
Always stop tool operation and charge the battery cartridge when you notice less tool power.
2. Never recharge a fully charged battery cartridge. Overcharging shortens the battery service life.
3. Charge the battery cartridge with room temperature at 10°C – 40°C (50°F – 104°F). Let a hot battery cartridge cool down before charging it.

**FUNCTIONAL DESCRIPTION**

**CAUTION:**

- Always be sure that the tool is switched off and the battery cartridge is removed before adjusting or checking function on the tool.

**Installing or removing battery cartridge (Fig. 1)**

- Always switch off the tool before insertion or removal of the battery cartridge.
- To remove the battery cartridge, withdraw it from the tool while sliding the button on the front of the cartridge.
- To insert the battery cartridge, align the tongue on the battery cartridge with the groove in the housing and slip it into place. Always insert it all the way until it locks in place with a little click. If you can see the red part on the upper side of the button, it is not locked completely. Insert it fully until the red part cannot be seen. If not, it may accidentally fall out of the tool, causing injury to you or someone around you.
- Do not use force when inserting the battery cartridge. If the cartridge does not slide in easily, it is not being inserted correctly.

**Switch action (Fig. 2)**

**CAUTION:**

- Before inserting the battery cartridge into the tool, always check to see that the switch trigger actuates properly and returns to the “OFF” position when released.

To start the tool, simply pull the switch trigger. Tool speed is increased by increasing pressure on the switch trigger. Release the switch trigger to stop.

**Lighting up the front lamp (Fig. 3)**

**CAUTION:**

- Do not look in the light or see the source of light directly.

Pull the switch trigger to light up the lamp. The lamp keeps on lighting while the switch trigger is being pulled. The light automatically goes out 10 – 15 seconds after the switch trigger is released.

**NOTE:**

- Use a dry cloth to wipe the dirt off the lens of lamp. Be careful not to scratch the lens of lamp, or it may lower the illumination.

**Reversing switch action (Fig. 4)**

This tool has a reversing switch to change the direction of rotation. Depress the reversing switch lever from the A side for clockwise rotation or from the B side for counter-clockwise rotation.

When the reversing switch lever is in the neutral position, the switch trigger cannot be pulled.

**CAUTION:**

- Always check the direction of rotation before operation.
- Use the reversing switch only after the tool comes to a complete stop. Changing the direction of rotation before the tool stops may damage the tool.
- When not operating the tool, always set the reversing switch lever to the neutral position.

**ASSEMBLY**

**CAUTION:**

- Always be sure that the tool is switched off and the battery cartridge is removed before carrying out any work on the tool.

**Installing or removing driver bit or socket bit**

Use only bits that have inserting portion shown in the figure. (Fig. 5)

**For tool with shallow bit hole**

A = 12 mm B = 9 mm	Use only these type of bit. Follow the procedure (1). (Note) Bit-piece is not necessary.
-----------------------	---

**For tool with deep bit hole**

A = 17 mm B = 14 mm	To install these types of bits, follow the procedure (1).
A = 12 mm B = 9 mm	To install these types of bits, follow the procedure (2). (Note) Bit-piece is necessary for installing the bit.

1. For Models BTD130F, BTD140, BTD142  
To install the bit, pull the sleeve in the direction of the arrow and insert the bit into the sleeve as far as it will go. Then release the sleeve to secure the bit.

For Model BTD141

To install the bit, insert the bit into the sleeve as far as it will go. (Fig. 6)

- To install the bit, pull the sleeve in the direction of the arrow and insert the bit-piece and bit into the sleeve as far as it will go. The bit-piece should be inserted into the sleeve with its pointed end facing in. Then release the sleeve to secure the bit. **(Fig. 7)**

To remove the bit, pull the sleeve in the direction of the arrow and pull the bit out firmly.

**NOTE:**

- If the bit is not inserted deep enough into the sleeve, the sleeve will not return to its original position and the bit will not be secured. In this case, try re-inserting the bit according to the instructions above.
- When it is difficult to insert the bit, pull the sleeve and insert it into the sleeve as far as it will go.
- After inserting the bit, make sure that it is firmly secured. If it comes out, do not use it.

**Hook (Fig. 8)**

The hook is convenient for temporarily hanging the tool. This can be installed on either side of the tool.

To install the hook, insert it into a groove in the tool housing on either side and then secure it with a screw. To remove, loosen the screw and then take it out.

**OPERATION**

The proper fastening torque may differ depending upon the kind or size of the screw/bolt, the material of the workpiece to be fastened, etc. The relation between fastening torque and fastening time is shown in the figures. **(Fig. 9, 10 & 11)**

Hold the tool firmly and place the point of the driver bit in the screw head. Apply forward pressure to the tool to the extent that the bit will not slip off the screw and turn the tool on to start operation.

**NOTE:**

- Use the proper bit for the head of the screw/bolt that you wish to use.
- When fastening screw M8 or smaller, carefully adjust pressure on the switch trigger so that the screw is not damaged.
- Hold the tool pointed straight at the screw.
- If you tighten the screw for a time longer than shown in the figures, the screw or the point of the driver bit may be overstressed, stripped, damaged, etc. Before starting your job, always perform a test operation to determine the proper fastening time for your screw.

The fastening torque is affected by a wide variety of factors including the following. After fastening, always check the torque with a torque wrench.

- When the battery cartridge is discharged almost completely, voltage will drop and the fastening torque will be reduced.
- Driver bit or socket bit  
Failure to use the correct size driver bit or socket bit will cause a reduction in the fastening torque.
- Bolt
  - Even though the torque coefficient and the class of bolt are the same, the proper fastening torque will differ according to the diameter of bolt.
  - Even though the diameters of bolts are the same, the proper fastening torque will differ according to the torque coefficient, the class of bolt and the bolt length.
- The manner of holding the tool or the material of driving position to be fastened will affect the torque.

- Operating the tool at low speed will cause a reduction in the fastening torque.

**MAINTENANCE**

**CAUTION:**

- Always be sure that the tool is switched off and the battery cartridge is removed before attempting to perform inspection or maintenance.
- Never use gasoline, benzine, thinner, alcohol or the like. Discoloration, deformation or cracks may result.

**Replacing carbon brushes**

Replace when they wear down to the limit mark. Keep the carbon brushes clean and free to slip in the holders. Both carbon brushes should be replaced at the same time. Use only identical carbon brushes. **(Fig. 12)**

Use a screwdriver to remove two screws then remove the rear cover. **(Fig. 13)**

Raise the arm part of the spring and then place it in the recessed part of the housing with a slotted bit screwdriver of slender shaft or the like. **(Fig. 14)**

Use pliers to remove the carbon brush cap of the carbon brushes. Take out the worn carbon brushes, insert the new ones and replace the carbon brush cap in reverse. **(Fig. 15)**

Make sure that the carbon brush cap have fit into the holes in brush holders securely. **(Fig. 16)**

Reinstall the rear cover and tighten two screws securely.

To maintain product SAFETY and RELIABILITY, repairs, any other maintenance or adjustment should be performed by Makita Authorized Service Centers, always using Makita replacement parts.

**ACCESSORIES**

**CAUTION:**

- These accessories or attachments are recommended for use with your Makita tool specified in this manual. The use of any other accessories or attachments might present a risk of injury to persons. Only use accessory or attachment for its stated purpose.

If you need any assistance for more details regarding these accessories, ask your local Makita Service Center.

- Screw bits
- Hook
- Plastic carrying case
- Various type of Makita genuine batteries and chargers
- Bit piece

**Noise**

The typical A-weighted noise level determined according to EN60745:

**Model BTD130F, BTD140, BTD141**

Sound pressure level ( $L_{pA}$ ): 90 dB (A)

Sound power level ( $L_{WA}$ ): 100 dB (A)

Uncertainty (K): 3 dB (A)

**Model BTD142**

Sound pressure level ( $L_{pA}$ ): 89 dB (A)

Sound power level ( $L_{WA}$ ): 100 dB (A)

Uncertainty (K): 3 dB (A)

**Wear ear protection**

ENG905-1

**Vibration**

The vibration total value (tri-axial vector sum) determined according to EN60745:

**Model BTD130F**

Work mode: impact tightening of fasteners of the

maximum capacity of the tool

Vibration emission ( $a_h$ ): 14.0 m/s<sup>2</sup>

Uncertainty (K): 1.5 m/s<sup>2</sup>

**Model BTD140, BTD141**

Work mode: impact tightening of fasteners of the maximum capacity of the tool

Vibration emission ( $a_h$ ): 17.0 m/s<sup>2</sup>

Uncertainty (K): 1.5 m/s<sup>2</sup>

**Model BTD142**

Work mode: impact tightening of fasteners of the maximum capacity of the tool

Vibration emission ( $a_h$ ): 15.5 m/s<sup>2</sup>

Uncertainty (K): 1.5 m/s<sup>2</sup>

- The declared vibration emission value has been measured in accordance with the standard test method and may be used for comparing one tool with another.
- The declared vibration emission value may also be used in a preliminary assessment of exposure.

**WARNING:**

- The vibration emission during actual use of the power tool can differ from the declared emission value depending on the ways in which the tool is used.
- Be sure to identify safety measures to protect the operator that are based on an estimation of exposure in the actual conditions of use (taking account of all parts of the operating cycle such as the times when the tool is switched off and when it is running idle in addition to the trigger time).

ENH101-14

**For European countries only****EC Declaration of Conformity**

**We Makita Corporation as the responsible manufacturer declare that the following Makita machine(s):**

Designation of Machine: Cordless Impact Driver  
Model No./ Type: BTD130F, BTD140, BTD141, BTD142  
are of series production and

**Conforms to the following European Directives:**  
2006/42/EC

And are manufactured in accordance with the following standards or standardised documents:

EN60745

The technical documentation is kept by our authorized representative in Europe who is:

Makita International Europe Ltd.  
Michigan Drive, Tongwell,  
Milton Keynes, MK15 8JD, England

30. 1. 2009



Tomoyasu Kato  
Director

Makita Corporation  
3-11-8, Sumiyoshi-cho,  
Anjo, Aichi, JAPAN



**Descriptif**

1	Partie rouge	10	Crochet	19	Couvercle arrière
2	Bouton	11	Vis	20	Vis
3	Batterie	12	Rainure	21	Ressort
4	Gâchette	13	Boulon standard	22	Bras
5	Lampe	14	Couple de serrage	23	Partie renforcée
6	Inverseur	15	Couple de serrage correct	24	Bouchon de charbon
7	Embout	16	Temps de serrage	25	Orifice
8	Manchon	17	Boulon à haute résistance		
9	Porte-embout	18	Trait de limite d'usure		

**SPÉCIFICATIONS**

Modèle		BTD130F	BTD140	BTD141	BTD142
Capacités	Vis à machine	4 mm – 8 mm			
	Boulon standard	5 mm – 14 mm			
	Boulon à haute résistance	5 mm – 12 mm			
Vitesse à vide (min <sup>-1</sup> )		0 – 2 400	0 – 2 300		
Coups par minute		0 – 3 200			
Longueur totale		146 mm		145 mm	146 mm
Poids net		1,4 kg	1,3 kg		
Tension nominale		14,4 V CC	18 V CC		

- Étant donné l'évolution constante de notre programme de recherche et de développement, les spécifications contenues dans ce manuel sont sujettes à modification sans préavis.
- Les spécifications et la batterie peuvent être différentes suivant les pays.
- Poids, avec la batterie, conformément à la procédure EPTA-01/2003

ENE033-1

**Utilisations**

L'outil est conçu pour le vissage dans le bois, le métal et le plastique.

GEA010-1

**Consignes de sécurité générales pour outils électriques**

**⚠ MISE EN GARDE** Veuillez lire toutes les mises en garde et toutes les instructions. Il y a risque de choc électrique, d'incendie et/ou de blessure grave si les mises en garde et les instructions ne sont pas respectées.

**Conservez toutes les mises en garde et instructions pour référence ultérieure.**

GEB054-1

**CONSIGNES DE SÉCURITÉ POUR VISSÉUSE À CHOCS SANS FIL**

1. Saisissez l'outil électrique par ses surfaces de poigne isolées lorsque vous effectuez une opération au cours de laquelle la visseuse peut entrer en contact avec des fils cachés. Le contact avec un fil sous tension mettra les parties métalliques exposées de la visseuse sous tension, causant ainsi un choc électrique chez l'utilisateur.
2. Ayez toujours une assise ferme sous vos pieds. Veillez à ce que personne ne se trouve en-dessous de vous quand vous utilisez l'outil en hauteur.

3. Tenez votre outil fermement.
4. Portez un casque anti-bruit.

**CONSERVEZ CES INSTRUCTIONS.**

**AVERTISSEMENT :**

**NE vous laissez PAS tromper (au fil d'une utilisation répétée) par un sentiment d'aisance et de familiarité avec le produit, en négligeant le respect rigoureux des consignes de sécurité qui accompagnent le produit en question.**

**La MAUVAISE UTILISATION de l'outil ou l'ignorance des consignes de sécurité indiquées dans ce manuel d'instructions peut entraîner une blessure grave.**

ENC007-5

**CONSIGNES DE SÉCURITÉ IMPORTANTES**

**POUR LA BATTERIE**

1. Avant d'utiliser la batterie, lisez toutes les instructions et précautions relatives (1) au chargeur de batterie, (2) à la batterie, et (3) à l'outil utilisant la batterie.
2. Ne démontez pas la batterie.
3. Cessez immédiatement l'utilisation si le temps de fonctionnement devient excessivement court. Il y a risque de surchauffe, de brûlures, voire d'explosion.
4. Si l'électrolyte pénètre dans vos yeux, rincez-les à l'eau claire et consultez immédiatement un médecin. Il y a risque de perte de la vue.
5. Ne court-circuitez pas la batterie :
  - (1) Ne touchez les bornes avec aucun matériau conducteur.
  - (2) Évitez de ranger la batterie dans un conteneur avec d'autres objets métalliques, par exemple des clous, des pièces de monnaie, etc.

(3) N'exposez pas la batterie à l'eau ou à la pluie.

Un court-circuit de la batterie pourrait provoquer un fort courant, une surchauffe, parfois des brûlures et même une panne.

6. Ne rangez pas l'outil ou la batterie dans des endroits où la température risque d'atteindre ou de dépasser 50°C.
7. Ne jetez pas la batterie au feu même si elle est sérieusement endommagée ou complètement épuisée. La batterie peut exploser au contact du feu.
8. Prenez garde d'échapper ou de heurter la batterie.
9. N'utilisez pas la batterie si elle est abîmée.

## CONSERVEZ CES INSTRUCTIONS.

### Conseils pour assurer la durée de vie optimale de la batterie

1. Rechargez la batterie avant qu'elle ne soit complètement déchargée. Arrêtez toujours l'outil et rechargez la batterie quand vous remarquez que la puissance de l'outil diminue.
2. Ne rechargez jamais une batterie complètement chargée. La surcharge réduit la durée de service de la batterie.
3. Chargez la batterie alors que la température de la pièce se trouve entre 10°C et 40°C. Avant de charger une batterie chaude, laissez-la refroidir.

## DESCRIPTION DU FONCTIONNEMENT

### ATTENTION :

- Assurez-vous toujours que l'outil est hors tension et que sa batterie est retirée avant de l'ajuster ou de vérifier son fonctionnement.

### Installation ou retrait de la batterie (Fig. 1)

- Mettez toujours l'outil hors tension avant d'insérer ou de retirer la batterie.
- Pour retirer la batterie, sortez-la de l'outil tout en faisant glisser le bouton à l'avant de la batterie.
- Pour insérer la batterie, alignez la languette de la batterie avec la rainure située dans le carter, puis faites-la glisser en place. Insérez-la toujours à fond, jusqu'à ce qu'un léger déclic se fasse entendre. Si vous pouvez voir la partie rouge du côté supérieur du bouton, la batterie n'est pas complètement verrouillée. Insérez-la entièrement, jusqu'à ce que la partie rouge ne soit plus visible. Sinon, elle pourrait tomber accidentellement de l'outil, au risque de vous blesser ou de blesser quelqu'un se trouvant près de vous.
- N'appliquez pas une force excessive lors de l'insertion de la batterie. Si la batterie ne glisse pas aisément, c'est qu'elle n'est pas insérée correctement.

### Interrupteur (Fig. 2)

#### ATTENTION :

- Avant d'insérer la batterie dans l'outil, vérifiez toujours que la gâchette fonctionne bien et revient en position d'arrêt lorsque relâchée.

Pour mettre l'outil en marche, appuyez simplement sur la gâchette. La vitesse de l'outil augmente à mesure que l'on accroît la pression exercée sur la gâchette. Pour l'arrêter, relâchez la gâchette.

## Allumage de la lampe avant (Fig. 3)

### ATTENTION :

- Évitez de regarder directement le faisceau lumineux ou sa source.

Appuyez sur la gâchette pour allumer la lampe. La lampe demeure allumée tant que la pression sur la gâchette est maintenue.

Lorsque vous relâchez la gâchette, la lumière s'éteint d'elle-même au bout de 10 à 15 secondes.

### NOTE :

- Utilisez un chiffon sec pour essuyer la saleté qui recouvre la lentille de la lampe. Prenez garde de rayer la lentille de la lampe, pour éviter une diminution de l'éclairage.

## Inverseur (Fig. 4)

L'outil possède un inverseur qui permet de changer le sens de rotation. Enfoncez le levier inverseur du côté A pour une rotation dans le sens des aiguilles d'une montre, ou du côté B pour une rotation dans le sens inverse des aiguilles d'une montre.

La pression sur la gâchette n'est pas possible lorsque le levier inverseur se trouve en position neutre.

### ATTENTION :

- Vérifiez toujours le sens de rotation avant de mettre l'outil en marche.
- N'actionnez l'inverseur qu'une fois que l'outil est complètement arrêté. Si vous changez le sens de rotation avant l'arrêt de l'outil, vous risquez de l'endommager.
- Lorsque vous n'utilisez pas l'outil, placez toujours le levier inverseur en position neutre.

## ASSEMBLAGE

### ATTENTION :

- Assurez-vous toujours que l'outil est hors tension et que sa batterie est retirée avant d'effectuer tout travail dessus.

### Installation ou retrait de l'embout ou l'embout à douille

Utilisez uniquement des embouts dotés d'une partie à insérer, tel qu'illustré. (Fig. 5)

#### Pour outil à orifice d'embout peu profond

A = 12 mm B = 9 mm	Utilisez uniquement ces types d'embout. Suivez la procédure (1). (Note) Le porte-embout n'est pas nécessaire.
-----------------------	---

#### Pour outil à orifice d'embout profond

A = 17 mm B = 14 mm	Pour installer ces types d'embouts, suivez la procédure (1).
A = 12 mm B = 9 mm	Pour installer ces types d'embouts, suivez la procédure (2). (Note) Le porte-embout est nécessaire pour l'installation.

1. Pour les modèles BTD130F, BTD140, BTD142  
Pour installer l'embout, tirez le manchon dans le sens de la flèche et introduisez l'embout dans le manchon jusqu'au fond. Lâchez alors le manchon pour immobiliser l'embout.

Pour le modèle BTD141

Pour installer l'embout, insérez-le à fond dans le manchon. (Fig. 6)

2. Pour installer l'embout, tirez le manchon dans le sens de la flèche puis insérez à fond le porte-embout et l'embout dans le manchon. Le porte-embout doit être inséré dans le manchon avec l'extrémité pointue vers l'intérieur. Relâchez ensuite le manchon pour fixer l'embout. (Fig. 7)

Pour enlever l'embout, tirez le manchon dans la direction de la flèche et tirez fermement l'embout.

#### NOTE :

- Si l'embout n'est pas inséré assez profondément dans le manchon, celui-ci ne revient pas à sa position d'origine et l'embout ne se trouve pas bien assuré. En ce cas, insérez à nouveau l'embout comme il est dit ci-dessus.
- S'il est difficile d'insérer l'embout, tirez le manchon et insérez-y l'embout à fond.
- Après avoir inséré l'embout, assurez-vous qu'il est fermement fixé. Ne l'utilisez pas s'il sort du manchon.

#### Crochet (Fig. 8)

L'outil est équipé d'un crochet pratique qui permet de l'accrocher temporairement.

Ce crochet s'installe d'un côté comme de l'autre de l'outil.

Pour installer le crochet, insérez-le dans une des rainures situées de chaque côté du carter de l'outil, puis serrez-le avec une vis. Pour l'enlever, desserrez la vis et retirez-le.

#### UTILISATION

Le couple de serrage peut varier en fonction du type ou de la dimension de la vis/du boulon, du matériau de la pièce à fixer, etc. Le rapport entre le couple de serrage et le temps de serrage est donné à la figure. (Fig. 9, 10 et 11)

Tenez votre outil fermement et placez la panne de l'embout dans la tête de la vis. Appliquez à l'outil une pression vers l'avant suffisante pour que la panne ne glisse pas hors de la vis et mettez le contact.

#### NOTE:

- Utilisez l'embout qui convient à la tête de la vis/du boulon utilisé(e).
- Quand vous fixez des vis M8 ou plus petites, réglez délicatement la pression sur la gâchette de façon à ne pas endommager la vis.
- Tenez votre outil bien droit sur la vis.
- Si vous serrez la vis plus longtemps que le temps indiqué dans les figures, la vis ou la pointe de l'embout risque d'être soumise à une force trop grande et de foirer ou être endommagée, etc. Avant de commencer votre travail, effectuez toujours un essai pour connaître le temps de serrage qui convient à la vis.

Le couple de serrage dépend d'un certain nombre de facteurs, comme suit. Une fois le serrage terminé, vérifiez toujours le couple avec une clé dynamométrique.

1. Lorsque la batterie est presque complètement déchargée, la tension tombe et le couple de serrage diminue.
2. Embout ou embout à douille  
L'utilisation d'un embout ou un embout à douille de mauvaise dimension entraînera une réduction du couple de serrage.

3. Boulon
  - Même si le coefficient du couple et la catégorie du boulon sont les mêmes, le couple de serrage variera en fonction du diamètre de boulon.
  - Même si les diamètres des boulons sont les mêmes, le couple de serrage variera en fonction du coefficient de couple, de la catégorie du boulon et de la longueur du boulon.
4. Le couple de serrage est affecté par la façon dont vous tenez l'outil ou la pièce, ou par la position de vissage.
5. Le fonctionnement de l'outil à vitesse réduite entraîne une diminution du couple de serrage.

#### ENTRETIEN

##### ATTENTION :

- Assurez-vous toujours que l'outil est hors tension et que la batterie est retirée avant d'y effectuer tout travail d'inspection ou d'entretien.
- N'utilisez jamais d'essence, benzine, diluant, alcool ou autre produit similaire. Cela risquerait de provoquer la décoloration, la déformation ou la fissuration de l'outil.

#### Remplacement des charbons

Remplacez-les lorsqu'ils sont usés jusqu'au trait de limite d'usure. Maintenez les charbons propres et en état de glisser aisément dans les porte-charbon. Les deux charbons doivent être remplacés en même temps. N'utilisez que des charbons identiques. (Fig. 12)

Utilisez un tournevis pour retirer les deux vis, puis retirez le couvercle arrière. (Fig. 13)

Soulevez le bras du ressort et placez-le dans la partie encastrée du carter avec un tournevis à lame plate, une tige mince ou un objet similaire. (Fig. 14)

Utilisez une paire de pinces pour retirer les bouchons des charbons. Enlevez les charbons usés, insérez les neufs et remettez les bouchons des charbons en place. (Fig. 15)

Assurez-vous que les bouchons des charbons se sont correctement insérés dans les orifices des portes-charbons. (Fig. 16)

Remettez en place le couvercle arrière et serrez fermement les deux vis.

Pour maintenir la SÉCURITÉ et la FIABILITÉ du produit, les réparations, travaux d'entretien et autres réglages doivent être effectués dans un centre de service Makita agréé ou un centre de service de l'usine Makita, exclusivement avec des pièces de rechange Makita.

## ACCESSOIRES

ENG901-1

### ATTENTION :

- Ces accessoires ou pièces complémentaires sont recommandés pour l'utilisation avec l'outil Makita spécifié dans ce mode d'emploi. L'utilisation de tout autre accessoire ou pièce complémentaire peut comporter un risque de blessure. N'utilisez les accessoires ou pièces qu'aux fins auxquelles ils ont été conçus.

Si vous désirez obtenir plus de détails concernant ces accessoires, veuillez contacter le centre de service après-vente Makita le plus près.

- Embouts de vis
- Crochet
- Étui de transport en plastique
- Les divers types de batteries et chargeurs Makita authentiques
- Porte-embout

ENG905-1

### Bruit

Niveau de bruit pondéré A typique, déterminé selon EN60745 :

#### Modèle BTD130F, BTD140, BTD141

Niveau de pression sonore ( $L_{pA}$ ) : 90 dB (A)  
Niveau de puissance sonore ( $L_{WA}$ ) : 101 dB (A)  
Incertitude (K) : 3 dB (A)

#### Modèle BTD142

Niveau de pression sonore ( $L_{pA}$ ) : 89 dB (A)  
Niveau de puissance sonore ( $L_{WA}$ ) : 100 dB (A)  
Incertitude (K) : 3 dB (A)

#### Porter des protecteurs anti-bruit

ENG900-1

### Vibrations

Valeur totale de vibrations (somme de vecteur triaxial) déterminée selon EN60745 :

#### Modèle BTD130F

Mode de travail : Serrage avec chocs des vis correspondant à la capacité maximale de l'outil  
Émission de vibrations ( $a_{rh}$ ) : 14,0 m/s<sup>2</sup>  
Incertitude (K) : 1,5 m/s<sup>2</sup>

#### Modèle BTD140, BTD141

Mode de travail : Serrage avec chocs des vis correspondant à la capacité maximale de l'outil  
Émission de vibrations ( $a_{rh}$ ) : 17,0 m/s<sup>2</sup>  
Incertitude (K) : 1,5 m/s<sup>2</sup>

#### Modèle BTD142

Mode de travail : Serrage avec chocs des vis correspondant à la capacité maximale de l'outil  
Émission de vibrations ( $a_{rh}$ ) : 15,5 m/s<sup>2</sup>  
Incertitude (K) : 1,5 m/s<sup>2</sup>

- La valeur d'émission de vibrations déclarée a été mesurée conformément à la méthode de test standard et peut être utilisée pour comparer les outils entre eux.
- La valeur d'émission de vibrations déclarée peut aussi être utilisée pour l'évaluation préliminaire de l'exposition.

### AVERTISSEMENT :

- L'émission de vibrations lors de l'usage réel de l'outil électrique peut être différente de la valeur d'émission déclarée, suivant la façon dont l'outil est utilisé.
- Les mesures de sécurité à prendre pour protéger l'utilisateur doivent être basées sur une estimation de l'exposition dans des conditions réelles d'utilisation (en tenant compte de toutes les composantes du cycle d'utilisation, comme par exemple le moment de sa mise hors tension, lorsqu'il tourne à vide et le moment de son déclenchement).

ENH100-14

### Pour les pays d'Europe uniquement

### Déclaration de conformité CE

**Makita Corporation, en tant que fabricant responsable, déclare que la ou les machines suivantes :**

Désignation de la machine : Visseuse à chocs sans fil  
N° de modèle / Type : BTD130F, BTD140, BTD141, BTD142

sont produites en série et

**sont conformes aux Directives européennes suivantes :**

2006/42/CE

et qu'elles sont fabriquées conformément aux normes ou documents normalisés suivants :

EN60745

La documentation technique est conservée par notre représentant agréé en Europe, à savoir :

Makita International Europe Ltd.  
Michigan Drive, Tongwell,  
Milton Keynes, MK15 8JD, Angleterre

30. 1. 2009



Tomoyasu Kato  
Directeur

Makita Corporation  
3-11-8, Sumiyoshi-cho,  
Anjo, Aichi, JAPAN

**Übersicht**

- |                           |                          |                           |
|---------------------------|--------------------------|---------------------------|
| 1 Roter Teil              | 10 Haken                 | 19 Rückabdeckung          |
| 2 Knopf                   | 11 Schraube              | 20 Schrauben              |
| 3 Blockakku               | 12 Führungsnut           | 21 Feder                  |
| 4 Ein-Aus-Schalter        | 13 Standardschraube      | 22 Arm                    |
| 5 Lampe                   | 14 Anzugsmoment          | 23 Aussparung             |
| 6 Drehrichtungsumschalter | 15 Korrekte Anzugsmoment | 24 Kappe der Kohlebürsten |
| 7 Einsatz                 | 16 Anzugszeit            | 25 Loch                   |
| 8 Werkzeugaufnahme        | 17 HV-Schraube           |                           |
| 9 Einsatzhalter           | 18 Verschleißgrenze      |                           |

**TECHNISCHE DATEN**

Modell		BTD130F	BTD140	BTD141	BTD142
Bohrleistung	Maschinenschraube	4 mm – 8 mm			
	Standardschraube	5 mm – 14 mm			
	HV-Schraube	5 mm – 12 mm			
Leerlaufdrehzahl (min <sup>-1</sup> )		0 – 2 400	0 – 2 300		
Schlagzahl pro Minute		0 – 3 200			
Gesamtlänge		146 mm		145 mm	146 mm
Nettogewicht		1,4 kg		1,3 kg	
Nennspannung		DC 14,4 V		DC 18 V	

- Wir behalten uns vor, Änderungen im Zuge der Entwicklung und des technischen Fortschritts ohne vorherige Ankündigung vorzunehmen.
- Die technischen Daten und der Blockakku können von Land zu Land unterschiedlich sein.
- Gewicht mit Akku nach EPTA-Verfahren 01/2003

ENE033-1

**Vorgesehene Verwendung**

Die Maschine ist für das Eindrehen von Schrauben in Holz, Metall und Kunststoff vorgesehen.

GEA010-1

**Allgemeine Sicherheitswarnungen für Elektrowerkzeuge**

**⚠️ WARNUNG** Lesen Sie alle Sicherheitswarnungen und Anweisungen durch. Eine Missachtung der unten aufgeführten Warnungen und Anweisungen kann zu einem elektrischen Schlag, Brand und/oder schweren Verletzungen führen.

Bewahren Sie alle Warnungen und Anweisungen für spätere Bezugnahme auf.

GEB054-1

**SICHERHEITSWARNUNGEN FÜR AKKU-SCHLAGSCHRAUBER**

- Halten Sie das Elektrowerkzeug nur an den isolierten Griffflächen, wenn Sie Arbeiten ausführen, bei denen die Gefahr besteht, dass das Befestigungselement verborgene Kabel. Bei Kontakt mit einem Strom führenden Kabel können die freiliegenden Metallteile des Elektrowerkzeugs ebenfalls Strom führend werden, so dass der Benutzer einen elektrischen Schlag erleiden kann.
- Sorgen Sie für sicheren Stand und halten Sie jederzeit Gleichgewicht.

**Stellen Sie sicher, dass sich bei Einsatz der Maschine an hochgelegenen Arbeitsplätzen keine Personen darunter aufhalten.**

- Halten Sie die Maschine fest.
- Tragen Sie stets einen Gehörschutz.

**BEWAHREN SIE DIESE HINWEISE SORGFÄLTIG AUF.**

**WARNUNG:**

Lassen Sie sich NICHT durch Bequemlichkeit oder Vertrautheit mit dem Produkt (durch wiederholten Gebrauch erworben) von der strikten Einhaltung der Sicherheitsregeln für das vorliegende Produkt abhalten.

**MISSBRAUCH** oder Missachtung der Sicherheitsvorschriften in dieser Anleitung können schwere Verletzungen verursachen.

ENC007-5

**WICHTIGE SICHERHEITSVORSCHRIFTEN**

**FÜR AKKU**

- Lesen Sie vor der Benutzung des Akkus alle Anweisungen und Warnhinweise, die an (1) Ladegerät, (2) Akku und (3) Akkuwerkzeug angebracht sind.
- Unterlassen Sie ein Zerlegen des Akkus.
- Falls die Betriebszeit beträchtlich kürzer geworden ist, stellen Sie den Betrieb sofort ein. Anderenfalls besteht die Gefahr von Überhitzung, möglichen Verbrennungen und sogar einer Explosion.
- Falls Elektrolyt in Ihre Augen gelangt, waschen Sie sie mit sauberem Wasser aus, und begeben Sie sich unverzüglich in ärztliche Behandlung. Anderenfalls können Sie Ihre Sehkraft verlieren.

5. Der Akku darf nicht kurzgeschlossen werden:
  - (1) Die Kontakte dürfen nicht mit leitfähigem Material berührt werden.
  - (2) Lagern Sie den Akku nicht in einem Behälter zusammen mit anderen Metallgegenständen, wie z.B. Nägel, Münzen usw.
  - (3) Setzen Sie den Akku weder Wasser noch Regen aus.  
Ein Kurzschluss des Akkus verursacht starken Stromfluss, der Überhitzung, Verbrennungen und einen Defekt zur Folge haben kann.
6. Lagern Sie Maschine und Akku nicht an Orten, an denen die Temperatur 50°C erreichen oder überschreiten kann.
7. Versuchen Sie niemals, den Akku zu verbrennen, selbst wenn er stark beschädigt oder vollkommen verbraucht ist. Der Akku kann im Feuer explodieren.
8. Achten Sie darauf, dass der Akku nicht fallen gelassen oder Stößen ausgesetzt wird.
9. Keinen beschädigten Akku benutzen.

**BEWAHREN SIE DIESE HINWEISE SORGFÄLTIG AUF.**

**Hinweise zur Aufrechterhaltung der maximalen Akku-Nutzungsdauer**

1. Laden Sie den Akku, bevor er vollkommen erschöpft ist.  
Schalten Sie die Maschine stets aus, und laden Sie den Akku, wenn Sie ein Nachlassen der Maschinenleistung feststellen.
2. Unterlassen Sie das erneute Laden eines voll aufgeladenen Akkus. Überladen führt zu einer Verkürzung der Nutzungsdauer des Akkus.
3. Laden Sie den Akku bei Raumtemperatur zwischen 10°C – 40°C. Lassen Sie einen heißen Akku abkühlen, bevor Sie ihn laden.

**FUNKTIONSBESCHREIBUNG**

**VORSICHT:**

- Vergewissern Sie sich vor der Durchführung von Einstellungen oder Funktionsprüfungen der Maschine stets, dass die Maschine ausgeschaltet und der Akku abgenommen ist.

**Anbringen und Abnehmen des Akkus (Abb. 1)**

- Schalten Sie die Maschine stets aus, bevor Sie den Akku anbringen oder abnehmen.
- Ziehen Sie den Akku zum Abnehmen vom Werkzeug ab, während Sie den Knopf an der Vorderseite des Akkus drücken.
- Zum Einsetzen des Akkus richten Sie die Führungsfeder des Akkus auf die Nut im Werkzeuggehäuse aus und schieben den Akku hinein. Schieben Sie den Akku stets vollständig ein, bis er mit einem hörbaren Klicken einrastet. Wenn der rote Teil an der Oberseite des Knopfes sichtbar ist, ist der Akku nicht richtig eingerastet. Schieben Sie den Akku vollständig ein, bis der rote Teil verschwindet. Anderenfalls kann er aus dem Werkzeug herausfallen und Sie oder umstehende Personen verletzen.
- Wenden Sie beim Einsetzen des Akkus keine Gewalt an. Falls der Akku nicht reibungslos hineingleitet, ist er nicht richtig ausgerichtet.

**Schalterfunktion (Abb. 2)**

**VORSICHT:**

- Vergewissern Sie sich vor dem Einsetzen des Akkus in die Maschine stets, dass der Ein-Aus-Schalter ordnungsgemäß funktioniert und beim Loslassen in die AUS-Stellung zurückkehrt.

Zum Einschalten der Maschine einfach den Ein-Aus-Schalter drücken. Die Drehzahl erhöht sich durch verstärkte Druckausübung auf den Ein-Aus-Schalter. Zum Ausschalten lassen Sie den Ein-Aus-Schalter los.

**Einschalten der Frontlampe (Abb. 3)**

**VORSICHT:**

- Blicken Sie nicht direkt in die Lampe oder die Lichtquelle.

Betätigen Sie den Ein-Aus-Schalter, um die Lampe einzuschalten. Die Lampe bleibt erleuchtet, solange der Ein-Aus-Schalter gedrückt gehalten wird.

Die Lampe erlischt automatisch 10 – 15 Sekunden nach dem Loslassen des Ein-Aus-Schalters.

**HINWEIS:**

- Wischen Sie Schmutz auf der Lampenlinse mit einem trockenen Tuch ab. Achten Sie sorgfältig darauf, dass Sie die Lampenlinse nicht verkratzen, weil sich sonst die Lichtstärke verringert.

**Drehrichtungsumschalterbedienung (Abb. 4)**

Diese Maschine besitzt einen Drehrichtungsumschalter. Drücken Sie auf die Seite A des Drehrichtungsumschalters für Rechtsdrehung, und auf die Seite B für Linksdrehung.

In der Neutralstellung des Drehrichtungsumschalters ist der Ein-Aus-Schalter verriegelt.

**VORSICHT:**

- Prüfen Sie stets die Drehrichtung, bevor Sie mit der Arbeit beginnen.
- Betätigen Sie den Drehrichtungsumschalter erst, nachdem die Maschine völlig zum Stillstand gekommen ist. Durch Umschalten der Drehrichtung bei noch laufender Maschine kann die Maschine beschädigt werden.
- Stellen Sie den Drehrichtungsumschalter stets auf die Neutralstellung, wenn Sie die Maschine nicht benutzen.

**MONTAGE**

**VORSICHT:**

- Vergewissern Sie sich vor der Ausführung von Arbeiten an der Maschine stets, dass die Maschine ausgeschaltet und der Akku abgenommen ist.

**Montage und Demontage von Einsatzwerkzeugen**

Verwenden Sie nur Einsätze, deren Einschubteil die in der Abbildung gezeigte Form hat. (Abb. 5)

**Für Maschine mit flacher Werkzeugaufnahme**

A = 12 mm B = 9 mm	Nur diese Einsatztypen verwenden. Wenden Sie Verfahren (1) an. (Hinweis) Einsatzhalter wird nicht benötigt.
-----------------------	---

**Für Maschine mit tiefer Werkzeugaufnahme**

A = 17 mm B = 14 mm	Zur Montage dieser Einsatztypen wenden Sie Verfahren (1) an.
------------------------	--

A = 12 mm B = 9 mm	Zur Montage dieser Einsatztypen wenden Sie Verfahren (2) an. (Hinweis) Für die Montage des Einsatzes wird ein Einsatzhalter benötigt.
-----------------------	--

1. Für Modelle BTD130F, BTD140, BTD142  
Ziehen Sie die Werkzeugaufnahme zum Anbringen des Einsatzes in Pfeilrichtung, und führen Sie den Einsatz bis zum Anschlag in die Werkzeugaufnahme ein. Lassen Sie dann die Werkzeugaufnahme los, um den Einsatz zu sichern.

Für Modelle BTD141

Führen Sie den Einsatz zum Montieren bis zum Anschlag in die Werkzeugaufnahme ein. **(Abb. 6)**

2. Ziehen Sie die Werkzeugaufnahme zum Anbringen des Einsatzes in Pfeilrichtung, und führen Sie Einsatzhalter und Einsatz bis zum Anschlag in die Werkzeugaufnahme ein. Der Einsatzhalter muss mit der spitzen Seite nach innen in die Werkzeugaufnahme eingeführt werden. Lassen Sie dann die Werkzeugaufnahme los, um den Einsatz zu sichern. **(Abb. 7)**

Ziehen Sie die Werkzeugaufnahme zum Abnehmen des Einsatzes in Pfeilrichtung, und ziehen Sie dann den Einsatz kräftig heraus.

#### HINWEIS:

- Wird der Einsatz nicht tief genug in die Werkzeugaufnahme eingeführt, kehrt die Werkzeugaufnahme nicht zur Ausgangsstellung zurück, so dass der Einsatz nicht eingespannt wird. Versuchen Sie in diesem Fall, den Einsatz wie oben beschrieben neu einzuführen.
- Wenn das Einführen des Einsatzes schwierig ist, ziehen Sie die Werkzeugaufnahme zurück, und führen Sie dann den Einsatz bis zum Anschlag in die Werkzeugaufnahme ein.
- Vergewissern Sie sich nach dem Einführen des Einsatzes, dass er einwandfrei gesichert ist. Verwenden Sie ihn nicht, falls er herausrutscht.

#### Haken (Abb. 8)

Der Haken ist praktisch, um das Werkzeug vorübergehend aufzuhängen. Der Haken kann auf beiden Seiten des Werkzeugs angebracht werden.

Um den Haken anzubringen, führen Sie ihn in die Nut entweder auf der linken oder rechten Seite des Werkzeuggehäuses ein, und sichern Sie ihn dann mit einer Schraube. Um den Haken zu entfernen, lösen Sie die Schraube, und nehmen Sie dann den Haken heraus.

#### BETRIEB

Das korrekte Anzugsmoment hängt u.a. von der Art oder Größe der Schrauben oder der Art der zu verschraubenden Materialien ab. Der Zusammenhang zwischen Anzugsmoment und Anzugszeit ist aus den Diagrammen ersichtlich. **(Abb. 9, 10 u. 11)**

Halten Sie die Maschine mit festem Griff, und setzen Sie die Spitze des Schraubendrehereinsatzes in den Schraubenkopf ein. Üben Sie Vorwärtsdruck auf die Maschine aus, so dass der Einsatz nicht von der Schraube abrutscht, und schalten Sie die Maschine ein, um mit der Schraubarbeit zu beginnen.

#### HINWEIS:

- Verwenden Sie einen für den Kopf der zu verwendenden Schraube passenden Einsatz.

- Üben Sie beim Anziehen von Schrauben der Größe M8 oder kleiner vorsichtigen Druck auf den Ein-Aus-Schalter aus, damit die Schraube nicht beschädigt wird.
- Halten Sie die Maschine gerade auf die Schraube gerichtet.
- Wird die in den Diagrammen angegebene Anzugszeit überschritten, können die Schraube oder die Spitze des Schraubendrehereinsatzes überlastet, ausgerissen oder beschädigt werden. Führen Sie vor Arbeitsbeginn stets eine Probeverschraubung durch, um die geeignete Anzugszeit für die jeweilige Schraube zu ermitteln.

Das Anzugsmoment unterliegt einer Reihe von Einflüssen, einschließlich der folgenden. Überprüfen Sie das Anzugsmoment nach dem Anziehen stets mit einem Drehmomentschlüssel.

1. Wenn der Akku nahezu erschöpft ist, fällt die Spannung ab, und das Anzugsmoment verringert sich.
2. Schraubendreher- oder Steckschlüsseleinsatz  
Die Verwendung eines Schraubendreher- oder Steckschlüsseleinsatzes der falschen Größe bewirkt eine Verringerung des Anzugsmoments.
3. Schraube
  - Selbst wenn der Drehmoment-Koeffizient und der Typ der Schraube gleich sind, ändert sich das Anzugsmoment je nach dem Durchmesser der Schraube.
  - Selbst wenn Schrauben den gleichen Durchmesser haben, ist das korrekte Anzugsmoment je nach Drehmoment-Koeffizient, Typ und Länge der Schraube unterschiedlich.
4. Die Art und Weise, wie die Maschine oder das Material der Verschraubungsposition gehalten wird, beeinflusst das Anzugsmoment.
5. Der Betrieb der Maschine mit einer niedrigen Drehzahl hat eine Reduzierung des Anzugsmoments zur Folge.

#### WARTUNG

##### VORSICHT:

- Vergewissern Sie sich vor der Durchführung von Inspektions- oder Wartungsarbeiten stets, dass die Maschine ausgeschaltet und der Akku abgenommen ist.
- Verwenden Sie auf keinen Fall Benzin, Benzol, Verdünnern, Alkohol oder dergleichen. Solche Mittel können Verfärbung, Verformung oder Rissbildung verursachen.

#### Auswechseln der Kohlebürsten

Wenn sie bis zur Verschleißgrenze abgenutzt sind, müssen sie erneuert werden. Halten Sie die Kohlebürsten stets sauber, damit sie ungehindert in den Haltern gleiten können. Beide Kohlebürsten sollten gleichzeitig erneuert werden. Verwenden Sie nur identische Kohlebürsten. **(Abb. 12)**

Drehen Sie zwei Schrauben mit einem Schraubendreher heraus, und nehmen Sie dann die Rückabdeckung ab. **(Abb. 13)**

Heben Sie den Arm der Feder an, und setzen Sie ihn dann mithilfe eines Schlitzschraubendrehers mit schlankem Schaft oder dergleichen in die Aussparung des Gehäuses ein. **(Abb. 14)**

Entfernen Sie die Kappe der Kohlebürsten mit einer Zange. Nehmen Sie die abgenutzten Kohlebürsten heraus, setzen Sie die neuen ein, und bringen Sie die Kappe umgekehrt wieder an. **(Abb. 15)**

Vergewissern Sie sich, dass die Kappe einwandfrei in den Löchern der Bürstenhalter sitzt. (**Abb. 16**)  
Bringen Sie die Rückabdeckung wieder an, und ziehen Sie die zwei Schrauben fest an.

Um die SICHERHEIT und ZUVERLÄSSIGKEIT dieses Produkts zu gewährleisten, sollten Reparaturen und andere Wartungs- oder Einstellarbeiten nur von Makita-Vertragswerkstätten oder Makita-Kundendienstzentren unter ausschließlicher Verwendung von Makita-Originalersatzteilen ausgeführt werden.

## ZUBEHÖR

### VORSICHT:

- Die folgenden Zubehörteile oder Vorrichtungen werden für den Einsatz mit der in dieser Anleitung beschriebenen Makita-Maschine empfohlen. Die Verwendung anderer Zubehörteile oder Vorrichtungen kann eine Verletzungsgefahr darstellen. Verwenden Sie Zubehörteile oder Vorrichtungen nur für ihren vorgesehenen Zweck.

Wenn Sie weitere Einzelheiten bezüglich dieser Zubehörteile benötigen, wenden Sie sich bitte an Ihre Makita-Kundendienststelle.

- Schraubendrehereinsätze
- Haken
- Plastikkoffer
- Verschiedene Original-Makita-Akkus und -Ladegeräte
- Einsatzhalter

ENG905-1

### Geräusch

Typischer A-bewerteter Geräuschpegel ermittelt gemäß EN60745:

#### Modell BTD130F, BTD140, BTD141

Schalldruckpegel ( $L_{pA}$ ): 90 dB (A)  
Schalleistungspegel ( $L_{WA}$ ): 101 dB (A)  
Ungewissheit (K): 3 dB (A)

#### Modell BTD142

Schalldruckpegel ( $L_{pA}$ ): 89 dB (A)  
Schalleistungspegel ( $L_{WA}$ ): 100 dB (A)  
Ungewissheit (K): 3 dB (A)

### Gehörschutz tragen

ENG900-1

### Vibration

Vibrationsgesamt看wert (Drei-Achsen-Vektorsumme) ermittelt gemäß EN60745:

#### Modell BTD130F

Arbeitsmodus: Schlagschrauben von Befestigungsteilen der maximalen Kapazität der Maschine  
Vibrationsemission ( $a_{hv}$ ): 14,0 m/s<sup>2</sup>  
Ungewissheit (K): 1,5 m/s<sup>2</sup>

#### Modell BTD140, BTD141

Arbeitsmodus: Schlagschrauben von Befestigungsteilen der maximalen Kapazität der Maschine  
Vibrationsemission ( $a_{hv}$ ): 17,0 m/s<sup>2</sup>  
Ungewissheit (K): 1,5 m/s<sup>2</sup>

#### Modell BTD142

Arbeitsmodus: Schlagschrauben von Befestigungsteilen der maximalen Kapazität der Maschine  
Vibrationsemission ( $a_{hv}$ ): 15,5 m/s<sup>2</sup>  
Ungewissheit (K): 1,5 m/s<sup>2</sup>

- Der angegebene Vibrationsemissionswert wurde im Einklang mit der Standardprüfmethode gemessen und kann für den Vergleich zwischen Maschinen herangezogen werden.
- Der angegebene Vibrationsemissionswert kann auch für eine Bewertung des Gefährdungsgrads verwendet werden.

### WARNUNG:

- Die Vibrationsemission während der tatsächlichen Benutzung des Elektrowerkzeugs kann je nach der Benutzungsweise der Maschine vom angegebenen Emissionswert abweichen.
- Identifizieren Sie Sicherheitsmaßnahmen zum Schutz des Benutzers anhand einer Schätzung des Gefährdungsgrads unter den tatsächlichen Benutzungsbedingungen (unter Berücksichtigung aller Phasen des Arbeitszyklus, wie z. B. Ausschalt- und Leerlaufzeiten der Maschine zusätzlich zur Betriebszeit).

ENH101-14

### Nur für europäische Länder

### EG-Übereinstimmungserklärung

**Wir, die Firma Makita als verantwortlicher Hersteller, erklären, dass die folgende(n) Makita-Maschine(n):**  
Bezeichnung der Maschine: Akku-Schlagschrauber  
Modell-Nr./ Typ: BTD130F, BTD140, BTD141, BTD142  
der Serienproduktion entstammen und  
**den folgenden europäischen Richtlinien entsprechen:**  
2006/42/EG

und gemäß den folgenden Standards oder standardisierten Dokumenten hergestellt werden:  
EN60745

Die technische Dokumentation befindet sich im Bestand unserer autorisierten Vertretung in Europa, nämlich:  
Makita International Europe Ltd.  
Michigan Drive, Tongwell,  
Milton Keynes, MK15 8JD, England

30. 1. 2009



Tomoyasu Kato  
Direktor

Makita Corporation  
3-11-8, Sumiyoshi-cho,  
Anjo, Aichi, JAPAN



**Visione generale**

1	Parte rossa	10	Gancio	19	Coperchio posteriore
2	Bottone	11	Vite	20	Viti
3	Batteria	12	Scanalatura	21	Molla
4	Interruttore	13	Bullone standard	22	Braccio
5	Lampadina	14	Coppia di serraggio	23	Parte incassata
6	Leva interruttore inversione	15	Coppia di serraggio corretta	24	Tappo dei portaspazzole
7	Punta	16	Tempo di serraggio	25	Foro
8	Manicotto	17	Bullone altamente tensile		
9	Attacco punta	18	Segno di limite		

**DATI TECNICI**

Modello		BTD130F	BTD140	BTD141	BTD142
Capacità	Vite comune	4 mm – 8 mm			
	Bullone standard	5 mm – 14 mm			
	Bullone altamente tensile	5 mm – 12 mm			
Velocità senza carico (min <sup>-1</sup> )		0 – 2.400	0 – 2.300		
Impulsi al minuto		0 – 3.200			
Lunghezza totale		146 mm		145 mm	146 mm
Peso netto		1,4 kg		1,3 kg	
Tensione nominale		C.c. 14,4 V		C.c. 18 V	

- Per il nostro programma di ricerca e sviluppo continui, i dati tecnici sono soggetti a modifiche senza preavviso.
- I dati tecnici e la cartuccia batteria potrebbero differire da paese a paese.
- Peso, con batteria, secondo la Procedura EPTA 01/2003

ENE033-1

**Utilizzo previsto**

Questo utensile serve ad avvitare le viti nel legno, metallo e plastica.

GEA010-1

**Avvertimenti generali per la sicurezza dell'utensile elettrico**

**⚠ AVVERTIMENTO** Leggere tutti gli avvertimenti per la sicurezza e le istruzioni. La mancata osservanza degli avvertimenti e delle istruzioni può causare scosse elettriche, incendio e/o gravi incidenti.

**Conservare tutti gli avvertimenti e le istruzioni per riferimenti futuri.**

GEB054-1

**AVVERTIMENTI PER LA SICUREZZA PER LA AVVITATORE AD IMPULSO A BATTERIA**

1. Tenere l'utensile per le superfici isolate quando si esegue una operazione in cui i dispositivi di chiusura potrebbero fare contatto con fili elettrici nascosti. I dispositivi di chiusura che fanno contatto con un filo elettrico "sotto tensione" potrebbero mettere "sotto tensione" le parti metalliche esposte dell'utensile dando una scossa elettrica all'operatore.
2. Assicurarsi sempre di avere i piedi sul sicuro. Assicurarsi che non c'è nessuno al di sotto, quando si usa l'utensile in posizioni alte.
3. Tenere l'utensile ben fermo in mano.

**4. Indossare protettori delle orecchie.**

**CONSERVARE QUESTE ISTRUZIONI.**

**AVVERTIMENTO:**

**NON lasciare che comodità o la familiarità d'utilizzo con il prodotto (acquisita con l'uso ripetuto) sostituisca la stretta osservanza delle norme di sicurezza.**

**L'utilizzo SBAGLIATO o la mancata osservanza delle norme di sicurezza di questo manuale di istruzioni potrebbero causare lesioni serie.**

ENC007-5

**ISTRUZIONI IMPORTANTI DI SICUREZZA**

**PER LA CARTUCCIA DELLA BATTERIA**

1. Prima di usare la cartuccia della batteria, leggere tutte le istruzioni e le avvertenze sul (1) carica-batteria, sulla (2) batteria e sul (3) prodotto che utilizza la batteria.
2. Non smontare la cartuccia della batteria.
3. Se il tempo di utilizzo è diventato molto corto, smettere immediatamente di usare l'utensile. Può risultare un rischio di surriscaldamento, possibili ustioni e addirittura un'esplosione.
4. Se l'elettrolita va negli occhi, risciacquarli con acqua pulita e rivolgersi immediatamente ad un medico. Può risultare la perdita della vista.
5. Non cortocircuitare la cartuccia della batteria:
  - (1) Non toccare i terminali con qualche metallo conduttivo.
  - (2) Evitare di conservare la cartuccia della batteria in un contenitore con altri oggetti metallici come i chiodi, le monete, ecc.

(3) Non esporre la cartuccia della batteria all'acqua o alla pioggia.

Un cortocircuito della batteria può causare un grande flusso di corrente, il surriscaldamento, possibili ustioni e addirittura un guasto.

6. Non conservare l'utensile e la cartuccia della batteria in luoghi in cui la temperatura può raggiungere o superare i 50°C.
7. Non incenerire la cartuccia della batteria anche se è gravemente danneggiata o è completamente esaurita. La cartuccia della batteria può esplodere e provocare un incendio.
8. Fare attenzione a non lasciar cadere o a colpire la batteria.
9. Non usare una batteria danneggiata.

## CONSERVARE QUESTE ISTRUZIONI.

### Suggerimenti per mantenere la durata massima della batteria

1. Caricare la cartuccia della batteria prima che si scarichi completamente. Smettere sempre di usare l'utensile e caricare la cartuccia della batteria quando si nota che la potenza dell'utensile è diminuita.
2. Non ricaricare mai una cartuccia della batteria completamente carica. La sovraccarica riduce la durata della batteria.
3. Caricare la cartuccia della batteria con la temperatura ambiente da 10°C a 40°C. Lasciar raffreddare una cartuccia della batteria calda prima di caricarla.

## DESCRIZIONE FUNZIONALE

### ATTENZIONE:

- Accertarsi sempre che l'utensile sia spento e che la batteria sia stata rimossa prima di regolare o di controllare il funzionamento dell'utensile.

### Installazione o rimozione della batteria (Fig. 1)

- Spegnere sempre l'utensile prima di inserire o di rimuovere la batteria.
- Per rimuovere la batteria, ritrarla dall'utensile spingendo il bottone sulla parte anteriore della batteria.
- Per inserire la cartuccia batteria, allineare l'appendice sulla cartuccia batteria con la scanalatura dell'alloggiamento e inserirla in posizione. Inserirla sempre completamente finché non si blocca con un piccolo scatto. Se si vede la parte rossa del lato superiore del bottone, vuol dire che esso non è bloccato completamente. Inserirlo completamente finché la parte rossa non è più visibile. In caso contrario, potrebbe cadere dall'utensile con pericolo di ferite per l'operatore o per chi gli è vicino.
- Per inserire la batteria non bisogna usare forza. Se la batteria non entra facilmente, vuol dire che non viene inserita correttamente.

### Funzionamento dell'interruttore (Fig. 2)

#### ATTENZIONE:

- Prima di inserire la batteria nell'utensile, controllare sempre che l'interruttore funzioni correttamente e torni sulla posizione "OFF" quando viene rilasciato.

Per avviare l'utensile, schiacciare semplicemente l'interruttore. La velocità dell'utensile si aumenta aumentando la pressione sull'interruttore. Rilasciare l'interruttore per fermarlo.

### Accensione della lampadina anteriore (Fig. 3)

#### ATTENZIONE:

- Non guardare direttamente la luce della lampadina.

Schiacciare l'interruttore per accendere la lampadina. La lampadina rimane accesa per tutto il tempo che l'interruttore è schiacciato.

La lampadina si spegne automaticamente 10 – 15 secondi dopo che si è rilasciato l'interruttore.

#### NOTA:

- Usare un panno asciutto per pulire la lente della lampadina. Fare attenzione a non graffiare la lente della lampadina, perché si potrebbe ridurre l'illuminazione.

### Funzionamento dell'interruttore di inversione (Fig. 4)

Questo utensile è dotato di un interruttore di inversione, che cambia la direzione di rotazione. Schiacciare la leva interruttore inversione dal lato A per la rotazione in senso orario, o dal lato B per la rotazione in senso antiorario. Quando la leva interruttore inversione si trova sulla posizione neutra, non si può schiacciare l'interruttore.

#### ATTENZIONE:

- Controllare sempre la direzione di rotazione prima avviare l'utensile.
- Usare l'interruttore di inversione soltanto dopo che l'utensile si è fermato completamente. Se si cambia la direzione di rotazione prima dell'arresto dell'utensile, lo si potrebbe danneggiare.
- Quando non si usa l'utensile, regolare sempre la leva interruttore inversione sulla posizione neutra.

## MONTAGGIO

### ATTENZIONE:

- Accertarsi sempre che l'utensile sia spento e che la batteria sia stata rimossa prima di qualsiasi intervento sull'utensile.

### Installazione o rimozione della punta o bussola

Usare soltanto punte che hanno la parte di inserimento mostrata nella figura. (Fig. 5)

#### Utensile con foro punta basso

A = 12 mm B = 9 mm	Usare soltanto questi tipi di punte. Seguire la procedura (1). (Nota) L'attacco punta non è necessario.
-----------------------	---

#### Utensile con foro punta profondo

A = 17 mm B = 14 mm	Per installare questi tipi di punte, seguire la procedura (1).
A = 12 mm B = 9 mm	Per installare questi tipi di punte, seguire la procedura (2). (Nota) Per l'installazione della punta è necessario l'attacco punta.

1. Modelli BTD130F, BTD140, BTD142  
Per installare la punta, tirare il manico nel direzione della freccia e inserire la punta nel manico finché non può andare più oltre. Rilasciare poi il manico per fissare la punta.

Modello BTD141

Per installare la punta, inserirla nel manicotto finché non può andare più oltre. (Fig. 6)

2. Per installare la punta, tirare il manicotto nella direzione della freccia e inserire l'attacco punta e la punta nel manicotto finché non può andare più oltre. L'attacco punta deve essere inserito con la sua estremità appuntita rivolta dentro. Rilasciare poi il manicotto per fissare la punta. (Fig. 7)

Per rimuovere la punta, tirare il manicotto nella direzione della freccia e tirar fuori decisamente la punta.

#### NOTA:

- Se la punta non è inserita completamente nel manicotto, questo non torna sulla sua posizione originale e la punta non rimane fissata. In tal caso, provare a inserire di nuovo la punta secondo le istruzioni sopra.
- Se è difficile inserire la punta, tirare il manicotto e inserirla nel manicotto finché non può andare più oltre.
- Dopo aver inserito la punta, accertarsi che sia fissata saldamente. Se essa fuoriesce, non usarla.

#### Gancio (Fig. 8)

Il gancio è comodo per appendere temporaneamente l'utensile. Esso può essere installato ad entrambi i lati dell'utensile.

Per installare il gancio, inserirlo nella scanalatura di uno dei lati della cassa dell'utensile e fissarlo poi con una vite. Per rimuoverlo, togliere la vite ed estrarlo.

#### FUNZIONAMENTO

La coppia di serraggio corretta potrebbe differire secondo il tipo o le dimensioni della vite/bullone, il materiale del pezzo da fissare, ecc. Il rapporto tra la coppia e il tempo di serraggio è mostrato nelle figure. (Fig. 9, 10 e 11)

Tenere saldamente l'utensile e mettere la punta dell'avvitatore sulla testa della vite. Esercitare una pressione in avanti sull'utensile in modo che la punta non scivoli via dalla vite, e accendere l'utensile per cominciare il lavoro.

#### NOTE:

- Usare la punta adatta alla testa della vite/bullone che si desidera usare.
- Per fissare le viti M8 o più piccole, regolare con cura la pressione sull'interruttore in modo da non danneggiare la vite.
- Tenere l'utensile puntato dritto sulla vite.
- Se si stringe la vite per un tempo più lungo di quello mostrato nelle figure, la vite o la punta dell'avvitatore potrebbero subire una sollecitazione eccessiva, essere danneggiate, ecc. Prima di cominciare il lavoro, fare sempre una prova per determinare il tempo di serraggio corretto per la vite.

La coppia di serraggio è influenzata da vari fattori, compresi quelli seguenti. Dopo il serraggio, controllare sempre la coppia con una chiave torsionometrica.

1. Quando la batteria è quasi completamente scarica, la tensione scende e la coppia di serraggio si riduce.
2. Punta o bussola  
Se non si usa la punta o la bussola di dimensioni corrette, si causa una riduzione della coppia di serraggio.
3. Bullone
  - Anche se il coefficiente di coppia e la classe del bullone sono gli stessi, la coppia di serraggio corretta differisce secondo il diametro del bullone.

- Anche se i diametri dei bulloni sono gli stessi, la coppia di serraggio corretta differisce secondo il coefficiente di coppia e la classe e la lunghezza del bullone.
4. La coppia è influenzata da come si tiene l'utensile e dal materiale da fissare.
  5. Facendo funzionare l'utensile a bassa velocità si causa una riduzione della coppia di serraggio.

#### MANUTENZIONE

##### ATTENZIONE:

- Accertarsi sempre che l'utensile sia spento e che la batteria sia stata rimossa prima dell'intervento di ispezione o manutenzione.
- Mai usare benzina, benzene, solventi, alcol e altre sostanze simili. Potrebbero causare scolorimenti, deformazioni o crepe.

##### Sostituzione delle spazzole di carbone

Sostituirele quando sono usurate fino al segno del limite. Mantenere le spazzole di carbone pulite e libere di slittare nei portaspazzole. Entrambe le spazzole di carbone devono essere sostituite allo stesso tempo. Usare soltanto spazzole di carbone identiche. (Fig. 12)

Usare un cacciavite per togliere le due viti, e rimuovere poi il coperchio posteriore. (Fig. 13)

Sollevarne la parte del braccio della molla e metterla nella parte incassata della cassa dell'utensile con un cacciavite con punta scanalata sottile od altro attrezzo similare. (Fig. 14)

Usare una pinza per rimuovere il tappo dei portaspazzole delle spazzole di carbone. Estrarre le spazzole di carbone usurate, inserire quelle nuove e rimettere a posto il tappo dei portaspazzole con il procedimento opposto. (Fig. 15)

Accertarsi che il tappo dei portaspazzole sia entrato saldamente nei fori dei portaspazzole. (Fig. 16)

Reinstallare il coperchio posteriore e stringere saldamente le due viti.

Per preservare la sicurezza e l'affidabilità del prodotto, le riparazioni, la manutenzione o la regolazione devono essere eseguite da un Centro Assistenza Makita autorizzato usando sempre ricambi Makita.

#### ACCESSORI

##### ATTENZIONE:

- Questi accessori o attrezzi sono consigliati per l'uso con l'utensile Makita specificato in questo manuale. L'impiego di altri accessori o attrezzi può costituire un rischio di lesioni alle persone. Usare gli accessori soltanto per il loro scopo prefissato.

Per ottenere maggiori dettagli su questi accessori, rivolgersi a un Centro Assistenza Makita autorizzato.

- Punta avvitatore
- Gancio
- Valigetta di plastica
- Vari tipi di batterie e caricatori genuini Makita
- Attacco punta

**Rumore**

Il tipico livello di rumore pesato A determinato secondo EN60745:

**Modello BTD130F, BTD140, BTD141**

Livello pressione sonora ( $L_{pA}$ ): 90 dB (A)

Livello potenza sonora ( $L_{WA}$ ): 101 dB (A)

Incertezza (K): 3 dB (A)

**Modello BTD142**

Livello pressione sonora ( $L_{pA}$ ): 89 dB (A)

Livello potenza sonora ( $L_{WA}$ ): 100 dB (A)

Incertezza (K): 3 dB (A)

**Indossare i paraorecchi**

ENG900-1

**Vibrazione**

Il valore totale di vibrazione (somma vettore triassiale) determinato secondo EN60745:

**Modello BTD130F**

Modalità operativa: serraggio a impulsi dei dispositivi di fissaggio della capacità massima dell'utensile

Emissione di vibrazione ( $a_h$ ): 14,0 m/s<sup>2</sup>

Incertezza (K): 1,5 m/s<sup>2</sup>

**Modello BTD140, BTD141**

Modalità operativa: serraggio a impulsi dei dispositivi di fissaggio della capacità massima dell'utensile

Emissione di vibrazione ( $a_h$ ): 17,0 m/s<sup>2</sup>

Incertezza (K): 1,5 m/s<sup>2</sup>

**Modello BTD142**

Modalità operativa: serraggio a impulsi dei dispositivi di fissaggio della capacità massima dell'utensile

Emissione di vibrazione ( $a_h$ ): 15,5 m/s<sup>2</sup>

Incertezza (K): 1,5 m/s<sup>2</sup>

ENG901-1

- Il valore di emissione delle vibrazioni dichiarato è stato misurato conformemente al metodo di test standard, e può essere usato per paragonare un utensile con un altro.
- Il valore di emissione delle vibrazioni dichiarato può anche essere usato per una valutazione preliminare dell'esposizione.

**AVVERTIMENTO:**

- L'emissione delle vibrazioni durante l'uso reale dell'utensile elettrico può differire dal valore di emissione dichiarato a seconda dei modi in cui viene usato l'utensile.
- Identificare le misure di sicurezza per la protezione dell'operatore basate sulla stima dell'esposizione nelle condizioni reali d'utilizzo (tenendo presente tutte le parti del ciclo operativo, come le volte in cui l'utensile viene spento e quando gira a vuoto, oltre al tempo di funzionamento).

**Modello per l'Europa soltanto****Dichiarazione CE di conformità**

**Noi della Makita Corporation, come produttori responsabili, dichiariamo che le macchine Makita seguenti:**

Designazione della macchina: Avvitatore ad impulso a batteria

Modello No./Tipo: BTD130F, BTD140, BTD141, BTD142 sono una produzione di serie e

**conformi alle direttive europee seguenti:**

2006/42/CE

E sono fabbricate conformemente ai seguenti standard o documenti standardizzati:

EN60745

La documentazione tecnica è tenuta dal nostro rappresentante autorizzato in Europa, che è:

Makita International Europe Ltd.

Michigan Drive, Tongwell,

Milton Keynes, MK15 8JD, England

30. 1. 2009



Tomoyasu Kato  
Amministratore

Makita Corporation  
3-11-8, Sumiyoshi-cho,  
Anjo, Aichi, JAPAN

**Verklaring van algemene gegevens**

1 Rood gedeelte	10 Haak	19 Achterdeksel
2 Knop	11 Schroef	20 Schroeven
3 Accu	12 Gleuf	21 Veer
4 Trekschakelaar	13 Standaardbout	22 Arm
5 Lamp	14 Aandraaimoment	23 Opengewerkte deel
6 Omkeerschakelaar	15 Juiste aandraaimoment	24 Koolborstelkap
7 Bit	16 Aandraaitijd	25 Gat
8 Bus	17 Bout met hoge trekvastheid	
9 Inzetstuk	18 Limietmarkering	

**TECHNISCHE GEGEVENS**

Model		BTD130F	BTD140	BTD141	BTD142
Capaciteiten	Kolomschroef	4 mm – 8 mm			
	Standaardbout	5 mm – 14 mm			
	Bout met hoge trekvastheid	5 mm – 12 mm			
Toerental onbelast (min <sup>-1</sup> )		0 – 2 400		0 – 2 300	
Slagen per minuut		0 – 3 200			
Totale lengte		146 mm		145 mm	146 mm
Netto gewicht		1,4 kg		1,3 kg	
Nominale spanning		DC 14,4 V		DC 18 V	

- In verband met ononderbroken research en ontwikkeling behouden wij ons het recht voor bovenstaande technische gegevens te wijzigen zonder voorafgaande kennisgeving.
- De technische gegevens de accu kunnen van land tot land verschillen.
- Gewicht, inclusief accu, volgens de EPTA-procedure 01/2003

2. **Zorg ervoor dat u stevig staat op een vast ondergrond.**  
Bij gebruik van het gereedschap op een hoge plaats dient u ervoor te zorgen dat niemand beneden u aanwezig is.
3. **Houd het gereedschap stevig vast.**
4. **Draag oorbeschermers.**

**Doeleinden van gebruik**

Dit gereedschap is bedoeld voor het indraaien van schroeven in hout, metaal en kunststof.

ENE033-1

**Algemene veiligheidswaarschuwingen voor elektrisch gereedschap**

GEA010-1

**⚠ WAARSCHUWING! Lees alle veiligheidsaanschuwingen en alle instructies.** Het niet volgen van de waarschuwingen en instructies kan leiden tot elektrische schokken, brand en/of ernstig letsel.

**Bewaar alle waarschuwingen en instructies om in de toekomst te kunnen raadplegen.**

GEB054-1

**VEILIGHEIDSWAARSCHUWINGEN**

**SPECIFIEK VOOR EEN**

**ACCU-SLAGSCHROEVENDRAAIER**

1. **Houd elektrisch gereedschap vast bij het geïsoleerde oppervlak van de handgrepen wanneer u werkt op plaatsen waar het bevestigingsmateriaal in aanraking kan komen met verborgen bedrading.** Wanneer bevestigingsmaterialen in aanraking komen met onder spanning staande draden, zullen de niet-geïsoleerde metalen delen van het gereedschap onder spanning komen te staan zodat de gebruiker een elektrische schok kan krijgen.

**BEWAAR DEZE VOORSCHRIFTEN.**

**WAARSCHUWING:**

**Laat u NIET misleiden door een vals gevoel van comfort en bekendheid met het gereedschap (na veelvuldig gebruik) en neem alle veiligheidsvoorschriften van het betreffende gereedschap altijd strikt in acht. VERKEERD GEBRUIK of het niet naleven van de veiligheidsvoorschriften in deze gebruiksaanwijzing kan leiden tot ernstige verwondingen.**

ENC007-5

**BELANGRIJKE**

**VEILIGHEIDSVORSCHRIFTEN**

**VOOR ACCU**

1. Lees alle voorschriften en waarschuwingen op (1) de acculader, (2) de accu, en (3) het product waarvoor de accu wordt gebruikt, aandachtig door alvorens de acculader in gebruik te nemen.
2. **Neem de accu niet uit elkaar.**
3. **Als de gebruikstijd van een opgeladen accu aanzienlijk korter is geworden, moet u het gebruik ervan onmiddellijk stopzetten. Voortgezet gebruik kan oververhitting, brandwonden en zelfs een ontploffing veroorzaken.**

4. Als er elektrolyt in uw ogen is terechtgekomen, spoel dan uw ogen met schoon water en roep onmiddellijk de hulp van een dokter in. Elektrolyt in de ogen kan blindheid veroorzaken.
5. Voorkom kortsluiting van de accu:
  - (1) Raak de accuklemmen nooit aan met een geleidend materiaal.
  - (2) Bewaar de accu niet in een bak waarin andere metalen voorwerpen zoals spijkers, munten e.d. worden bewaard.
  - (3) Stel de accu niet bloot aan water of regen. Kortsluiting van de accu kan oorzaak zijn van een grote stroomafgifte, oververhitting, brandwonden, en zelfs defecten.
6. Bewaar het gereedschap en de accu niet op plaatsen waar de temperatuur kan oplopen tot 50°C of hoger.
7. Werp de accu nooit in het vuur, ook niet wanneer hij zwaar beschadigd of volledig versleten is. De accu kan namelijk ontploffen in het vuur.
8. Wees voorzichtig dat u de accu niet laat vallen en hem niet blootstelt aan schokken of stoten.
9. Gebruik nooit een beschadigde accu.

## BEWAAR DEZE VOORSCHRIFTEN.

### Tips voor een maximale levensduur van de accu

1. Laad de accu op voordat hij volledig ontladen is. Stop het gebruik van het gereedschap en laad de accu op telkens wanneer u vaststelt dat het vermogen van het gereedschap is afgenomen.
2. Laad een volledig opgeladen accu nooit opnieuw op. Als u de accu te veel oplaadt, zal hij minder lang meegaan.
3. Laad de accu op bij een kamertemperatuur tussen 10°C en 40°C. Laat een warme accu afkoelen alvorens hem op te laden.

## BESCHRIJVING VAN DE FUNCTIES

### LET OP:

- Zorg altijd dat het gereedschap is uitgeschakeld en de accu ervan is verwijderd alvorens de functies op het gereedschap af te stellen of te controleren.

### Installeren of verwijderen van de accu (Fig. 1)

- Schakel het gereedschap altijd uit alvorens de accu te installeren of te verwijderen.
- Om de accu uit het gereedschap te halen, verschuift u de knop op de voorkant van de accu en trekt u de accu eraf.
- Om de accu te installeren, doet u de tong op de accu overeenkomen met de groef in de behuizing en dan schuift u de accu erin. Schuif de accu zo ver mogelijk erin totdat deze op zijn plaats vastklikt. Wanneer het rode gedeelte op de bovenkant van de knop nog zichtbaar is, zit de accu niet volledig erin. Schuif hem volledig erin totdat het rode gedeelte niet meer zichtbaar is. Als u dit niet doet, kan de accu per ongeluk eruit vallen en uzelf of andere personen in uw omgeving verwonden.
- Probeer nooit om de accu met geweld erin te duwen. Als de accu er niet gemakkelijk ingaat, betekent dit dat u hem niet op de juiste wijze erin steekt.

### Werking van de trekschakelaar (Fig. 2)

#### LET OP:

- Alvorens de accu in het gereedschap te plaatsen, moet u altijd controleren of de trekschakelaar goed werkt en bij het loslaten naar de "OFF" positie terugkeert.

Om het gereedschap te starten, drukt u gewoon de trekschakelaar in. Hoe harder u de trekschakelaar indrukt, hoe sneller het gereedschap draait. Laat de trekschakelaar los om het gereedschap te stoppen.

### De lampjes aanzetten (Fig. 3)

#### LET OP:

- Kijk niet direct in het lamplicht of in de lichtbron.

Druk de trekschakelaar in om de lamp aan te zetten. De lamp blijft branden zolang als de trekschakelaar wordt ingedrukt. Het lampje gaat automatisch uit 10 – 15 seconden nadat u de trekschakelaar hebt losgelaten.

#### OPMERKING:

- Gebruik een droge doek om vuil op de lamp eraf te vegen. Pas op dat u geen krassen maakt op de lens, omdat de verlichtingssterkte daardoor kan verminderen.

### Werking van de omkeerschakelaar (Fig. 4)

Dit gereedschap heeft een omkeerschakelaar voor het veranderen van de draairichting. Druk de omkeerschakelaar in vanaf zijde A voor rechtse draairichting, of vanaf zijde B voor linkse draairichting.

Wanneer deze schakelaar in de neutrale stand staat, kan de trekschakelaar niet worden ingedrukt.

#### LET OP:

- Controleer altijd de draairichting alvorens het gereedschap te starten.
- Verander de stand van de omkeerschakelaar alleen nadat het gereedschap volledig tot stilstand is gekomen. Als u de draairichting verandert terwijl het gereedschap nog draait, kan het gereedschap beschadigd raken.
- Zet de omkeerschakelaar altijd in de neutrale stand wanneer u het gereedschap niet gebruikt.

## INEENZETTEN

### LET OP:

- Controleer altijd of het gereedschap is uitgeschakeld en de accu ervan is verwijderd alvorens enig werk aan het gereedschap uit te voeren.

### Aanbrengen of verwijderen van de schroefbit of schroefdoop

Gebruik uitsluitend bits met een insteekgedeelte zoals aangegeven in de afbeelding. (Fig. 5)

### Voor gereedschappen met een ondiepe bitinsteekopening

A = 12 mm B = 9 mm	Gebruik alleen dit type bits. Volg procedure (1). (Opmerking) Een inzetstuk is niet nodig.
-----------------------	---

### Voor gereedschappen met een diepe bitinsteekopening

A = 17 mm B = 14 mm	Volg procedure (1) om dit type bits aan te brengen.
------------------------	---

A = 12 mm B = 9 mm	Volg procedure (2) om dit type bits aan te brengen. (Opmerking) Voor het aanbrengen van de bit is een inzetstuk nodig.
-----------------------	---

1. Voor modellen BTD130F, BTD140, BTD142  
Om de bit aan te brengen, trekt u de bus in de richting van de pijl en dan steekt u de bit zo ver mogelijk in de bus. Laat daarna de bus los om de bit vast te zetten.  
Voor model BTD141  
Om de bit aan te brengen, steekt u de bit zo ver mogelijk in de bus. (Fig. 6)
2. Om de bit aan te brengen, trekt u de bus in de richting van de pijl en dan steekt u het inzetstuk en de bit zo ver mogelijk in de bus. Het inzetstuk dient met zijn gepunte uiteinde naar binnen gekeerd in de bus te worden gestoken. Laat daarna de bus los om de bit vast te zetten. (Fig. 7)

Om de bit te verwijderen, trekt u de bus in de richting van de pijl en dan trekt u de bit krachtig eruit.

#### OPMERKING:

- Als de bit niet diep genoeg in de bus wordt gestoken, zal de bus niet naar haar oorspronkelijke positie terugkeren en zal de bit niet goed vastzitten. In dat geval dient u de bit opnieuw erin te steken volgens de bovenstaande procedure.
- Als het moeilijk is de bit in de bus te steken, trekt u aan de bus en steekt u de bit zo ver mogelijk in de bus.
- Nadat u de bit in de bus hebt gestoken, controleert u dat de bit stevig vast zit. Als de bit uit de bus komt, mag u de bit niet gebruiken.

#### Haak (Fig. 8)

De haak is handig om het gereedschap tijdelijk op te hangen. De haak kan aan iedere zijkant van het gereedschap worden bevestigd.

Om de haak te bevestigen, steekt u deze in een gleuf op een zijkant en zet u hem vast met de schroef. Om de haak eraf te halen, draait u de schroef los en haalt u de haak eraf.

#### BEDIENING

Het juiste aandraaimoment kan verschillen afhankelijk van het soort en de maat van de schroef/bout, het materiaal van het te bevestigen werkstuk, enz. De verhouding tussen het aandraaimoment en de draaitijd is aangegeven in de figuren. (Fig. 9, 10 en 11)

Houd het gereedschap stevig vast en plaats de punt van de schroefbit in de schroefkop. Oefen zoveel kracht op het gereedschap uit als nodig is om de schroefbit op zijn plaats te houden. Schakel vervolgens het gereedschap in om de bediening te starten.

#### OPMERKING:

- Gebruik altijd de bit die geschikt is voor de kop van de aan te draaien schroef/bout.
- Voor het vastdraaien van M8 of kleinere schroeven, dient u met zorg de druk op de trekschakelaar te regelen zodat de schroef niet beschadigd wordt.
- Houd het gereedschap altijd recht op de schroef.
- Als u de in de figuren aangegeven draaitijden overschrijdt, kan de schroef of de punt van de schroefbit overbelast worden, doldaaien, beschadigd raken, enz.

Neem daarom eerst een proefje om de juiste draaitijd voor de schroef te bepalen.

Het aandraaimoment wordt beïnvloed door een groot aantal verschillende factoren, waaronder de volgende. Controleer na het vastdraaien altijd het aandraaimoment met een momentsleutel.

1. Wanneer de accu bijna leeg is, neemt de spanning af en vermindert het aandraaimoment.
2. Schroefbit of schroefkop  
Het aandraaimoment vermindert als u niet een schroefbit of schroefkop van de juiste maat gebruikt.
3. Bout
  - Zelfs wanneer het koppelcoëfficiënt overeenkomt met de boutklasse, hangt het juiste aandraaimoment af van de boutdiameter.
  - Zelfs wanneer de boutdiameters gelijk zijn, hangt het juiste aandraaimoment af van het koppelcoëfficiënt, de boutklasse en de boutlengte.
4. De manier van vasthouden van het gereedschap en de positie waar de schroef in het materiaal wordt gedraaid, hebben een invloed op het aandraaimoment.
5. Bij lagere toerentallen wordt ook het aandraaimoment kleiner.

#### ONDERHOUD

##### LET OP:

- Zorg altijd dat het gereedschap is uitgeschakeld en de accu ervan is verwijderd alvorens te beginnen met onderhoud of inspectie.
- Gebruik nooit benzine, wasbenzine, thinner, alcohol en dergelijke. Hierdoor het verkleuring, vervormingen en barsten worden veroorzaakt.

#### Vervangen van de koolborstels

Vervang de koolborstels wanneer ze tot aan de limiet-markering versleten zijn. Houd de koolborstels schoon zodat ze goed in de houders glijden. Beide koolborstels dienen tegelijkertijd te worden vervangen. Gebruik uitsluitend identieke koolborstels. (Fig. 12)

Verwijder de twee schroeven met een schroevendraaier en verwijder daarna het achterdekseel. (Fig. 13)

Til de arm van de veer op en plaats deze in het opengewerkte deel van de behuizing met behulp van een platkopschroevendraaier of een dunne as of iets dergelijks. (Fig. 14)

Verwijder de koolborstelkap van de koolborstels met behulp van een tang. Haal de versleten koolborstels eruit, plaats de nieuwe erin, en plaats de koolborstelkap omgekeerd terug. (Fig. 15)

Zorg ervoor dat de koolborstelkap goed in de gaten in de borstelhouders valt. (Fig. 16)

Plaats de achterkap terug en draai de twee schroeven stevig aan.

Om de VEILIGHEID en BETROUWBAARHEID van het product te handhaven, dienen alle reparaties en alle andere onderhoudswerkzaamheden of afstellingen te worden uitgevoerd door een erkend Makita Servicecentrum, en dat uitsluitend met gebruik van Makita vervangingsonderdelen.

## ACCESSOIRES

ENG901-1

### LET OP:

- Deze accessoires of hulpstukken worden aanbevolen voor gebruik met het Makita gereedschap dat in deze gebruiksaanwijzing is beschreven. Bij gebruik van andere accessoires of hulpstukken bestaat er gevaar voor persoonlijke verwonding. Gebruik de accessoires of hulpstukken uitsluitend voor hun bestemde doel.

Raadpleeg het dichtstbijzijnde Makita Servicecentrum voor verder advies of bijzonderheden omtrent deze accessoires.

- Schroefbits
- Haak
- Plastic draagkist
- Diverse types originele Makita accu's en acculaders
- Inzetstuk

ENG905-1

### Geluidsniveau

De typisch, A-gewogen geluidsniveaus vastgesteld volgens EN60745:

#### Model BTD130F, BTD140, BTD141

Geluidsdrukniveau ( $L_{pA}$ ): 90 dB (A)  
Geluidsenergie-niveau ( $L_{WA}$ ): 101 dB (A)  
Onnauwkeurigheid (K): 3 dB (A)

#### Model BTD142

Geluidsdrukniveau ( $L_{pA}$ ): 89 dB (A)  
Geluidsenergie-niveau ( $L_{WA}$ ): 100 dB (A)  
Onnauwkeurigheid (K): 3 dB (A)

#### Draag oorbeschermers

ENG900-1

### Trilling

De totaalwaarde van de trillingen (triaxiale vectorsom) vastgesteld volgens EN60745:

#### Model BTD130F

Toepassing: bevestigen met behulp van slagwerking van bevestigingsmiddelen tot de maximale capaciteit van het gereedschap  
Trillingsemisatie ( $a_n$ ): 14,0 m/s<sup>2</sup>  
Onnauwkeurigheid (K): 1,5 m/s<sup>2</sup>

#### Model BTD140, BTD141

Toepassing: bevestigen met behulp van slagwerking van bevestigingsmiddelen tot de maximale capaciteit van het gereedschap  
Trillingsemisatie ( $a_n$ ): 17,0 m/s<sup>2</sup>  
Onnauwkeurigheid (K): 1,5 m/s<sup>2</sup>

#### Model BTD142

Toepassing: bevestigen met behulp van slagwerking van bevestigingsmiddelen tot de maximale capaciteit van het gereedschap  
Trillingsemisatie ( $a_n$ ): 15,5 m/s<sup>2</sup>  
Onnauwkeurigheid (K): 1,5 m/s<sup>2</sup>

- De opgegeven trillingsemisatie waarde is gemeten volgens de standaardtestmethode en kan worden gebruikt om dit gereedschap te vergelijken met andere gereedschappen.
- De opgegeven trillingsemisatie waarde kan ook worden gebruikt voor een beoordeling vooraf van de blootstelling.

### WAARSCHUWING:

- De trillingsemisatie tijdens het gebruik van het elektrisch gereedschap in de praktijk kan verschillen van de opgegeven trillingsemisatie waarde afhankelijk van de manier waarop het gereedschap wordt gebruikt.
- Zorg ervoor dat veiligheidsmaatregelen worden getroffen ter bescherming van de operator die zijn gebaseerd op een schatting van de blootstelling onder praktijkomstandigheden (rekening houdend met alle fasen van de bedrijfscyclus, zoals de tijdsduur gedurende welke het gereedschap is uitgeschakeld en stationair draait, naast de ingeschakelde tijdsduur).

ENH101-14

### Alleen voor Europese landen

### EU-Verklaring van Conformiteit

**Wij, Makita Corporation, als de verantwoordelijke fabrikant, verklaren dat de volgende Makita-machine(s):**

Aanduiding van de machine: Accu-slagschroevendraaier  
Modelnr./Type: BTD130F, BTD140, BTD141, BTD142  
in serie zijn geproduceerd en

**Voldoen aan de volgende Europese richtlijnen:**  
2006/42/EC

En zijn gefabriceerd in overeenstemming met de volgende normen of genormaliseerde documenten:  
EN60745

De technische documentatie wordt bewaard door onze erkende vertegenwoordiger in Europa, te weten:

Makita International Europe Ltd.  
Michigan Drive, Tongwell,  
Milton Keynes, MK15 8JD, Engeland

30. 1. 2009



Tomoyasu Kato  
Directeur

Makita Corporation  
3-11-8, Sumiyoshi-cho,  
Anjo, Aichi, JAPAN



**Explicación de los dibujos**

- |   |                                      |    |   |    |                                  |
|---|--------------------------------------|----|---|----|----------------------------------|
| 1 | Parte roja                           | 10 | Gancho                                  | 19 | Cubierta posterior               |
| 2 | Botón                                | 11 | Tornillo                                | 20 | Tornillos                        |
| 3 | Cartucho de batería                  | 12 | Ranura                                  | 21 | Resorte                          |
| 4 | Gatillo interruptor                  | 13 | Perno estándar                          | 22 | Brazo                            |
| 5 | Lámpara                              | 14 | Torsión de apriete                      | 23 | Parte rebajada                   |
| 6 | Palanca del interruptor de inversión | 15 | Torsión de apriete apropiada            | 24 | Tapa de las escobillas de carbón |
| 7 | Punta                                | 16 | Tiempo de apriete                       | 25 | Agujero                          |
| 8 | Manguito                             | 17 | Perno de gran resistencia a la tracción |    |                                  |
| 9 | Acoplador de punta                   | 18 | Marca límite                            |    |                                  |

**ESPECIFICACIONES**

Modelo		BTD130F	BTD140	BTD141	BTD142
Capacidades	Tornillo para metales	4 mm – 8 mm			
	Perno estándar	5 mm – 14 mm			
	Perno de gran resistencia a la tracción	5 mm – 12 mm			
Velocidad sin carga (min <sup>-1</sup> )		0 – 2.400	0 – 2.300		
Impactos per minute		0 – 3.200			
Longitud total		146 mm		145 mm	146 mm
Peso neto		1,4 kg	1,3 kg		
Tensión nominal		CC 14,4 V		CC 18 V	

- Debido a un programa continuo de investigación y desarrollo, las especificaciones aquí dadas están sujetas a cambios sin previo aviso.
- Las especificaciones y el cartucho de batería pueden diferir de país a país.
- Peso, con el cartucho de batería, de acuerdo con el procedimiento EPTA 01/2003

ENE033-1

**Uso previsto**

La herramienta ha sido diseñada para atornillar en madera, metal y plástico.

GEA010-1

**Advertencias de seguridad generales para herramientas eléctricas**

**⚠ ¡ADVERTENCIA!** Lea todas las advertencias de seguridad y todas las instrucciones. Si no sigue todas las advertencias e instrucciones podrá ocasionar una descarga eléctrica, un incendio y/o heridas graves.

ENC007-5

**Guarde todas las advertencias e instrucciones para futuras referencias.**

GEB054-1

**ADVERTENCIAS DE SEGURIDAD PARA LA ATORNILLADOR DE IMPACTO A BATERÍA**

1. Cuando realice una operación en la que el atornillador de impacto pueda entrar en contacto con cableado oculto, sujete la herramienta eléctrica por las superficies de asimiento aisladas. El contacto del atornillador de impacto con un cable con corriente hará que la corriente circule por las partes metálicas expuestas de la herramienta eléctrica y podrá soltar una descarga eléctrica al operario.

2. **Asegúrese siempre de que el punto de apoyo de sus pies sea firme.**  
Por otro lado, asegúrese de que no haya nadie debajo cuando esté utilizando la herramienta en lugares situados a una cierta altura del suelo.
3. **Sostenga la herramienta firmemente.**
4. **Utilice protectores para los oídos.**

**GUARDE ESTAS INSTRUCCIONES.**

**ADVERTENCIA:**

**NO** deje que la comodidad o familiaridad con el producto (a base de utilizarlo repetidamente) sustituya la estricta observancia de las normas de seguridad para el producto en cuestión.

**El MAL USO** o el no seguir las normas de seguridad establecidas en este manual de instrucciones podrá ocasionar graves heridas personales.

**INSTRUCCIONES DE SEGURIDAD IMPORTANTES**

**PARA EL CARTUCHO DE BATERÍA**

1. Antes de utilizar el cartucho de batería, lea todas las instrucciones e indicaciones de precaución sobre (1) el cargador de baterías, (2) la batería, y (3) el producto con el que se utiliza la batería.
2. **No desarme el cartucho de batería.**
3. Si el tiempo de uso del cartucho de batería se acorta demasiado, deje de usarlo inmediatamente. Podría resultar en un riesgo de recalentamiento, posibles quemaduras e incluso una explosión.

4. Si entra electrólito en sus ojos, aclárelos con agua limpia y vea a un médico inmediatamente. Existe el riesgo de poder perder la vista.
5. No cortocircuite el cartucho de batería:
  - (1) No toque los terminales con ningún material conductor.
  - (2) Evite guardar el cartucho de batería en un cajón junto con otros objetos metálicos, tales como clavos, monedas, etc.
  - (3) No exponga el cartucho de batería al agua ni a la lluvia.  
Un cortocircuito en la batería puede producir una gran circulación de corriente, un recalentamiento, posibles quemaduras e incluso una rotura de la misma.
6. No guarde la herramienta ni el cartucho de batería en lugares donde la temperatura pueda alcanzar o exceder los 50°C.
7. Nunca incinere el cartucho de batería incluso en el caso de que esté dañado seriamente o ya no sirva en absoluto.  
El cartucho de batería puede explotar si se tira al fuego.
8. Tenga cuidado de no dejar caer ni golpear el cartucho de batería.
9. No utilice una batería dañada.

## GUARDE ESTAS INSTRUCCIONES.

### Consejos para alargar al máximo la vida de servicio de la batería

1. Cargue el cartucho de batería antes de que se descargue completamente.  
Pare siempre la operación y cargue el cartucho de batería cuando note menos potencia en la herramienta.
2. No cargue nunca un cartucho de batería que esté completamente cargado.  
La sobrecarga acortará la vida de servicio de la batería.
3. Cargue el cartucho de batería a temperatura ambiente de 10°C – 40°C. Si un cartucho de batería está caliente, déjelo enfriar antes de cargarlo.

## DESCRIPCIÓN DEL FUNCIONAMIENTO

### PRECAUCIÓN:

- Asegúrese siempre de que la herramienta esté apagada y el cartucho de batería extraído antes de realizar cualquier ajuste o comprobación en la herramienta.

### Instalación o desmontaje del cartucho de batería (Fig. 1)

- Apague siempre la herramienta antes de insertar o extraer el cartucho de batería.
- Para extraer el cartucho de batería, sáquelo de la herramienta a la vez que desliza el botón de la parte frontal del cartucho.

- Para insertar el cartucho de batería, alinee la lengüeta del cartucho de batería con la acanaladura del alojamiento y deslícelo hasta encajarlo en su sitio. Insértelo siempre a tope hasta que quede bloqueado en su sitio produciendo un chasquido. Si puede ver la parte roja del lado superior del botón, no estará bloqueado completamente. Insértelo completamente hasta que no pueda verse la parte roja. De lo contrario, podrá caerse de la herramienta accidentalmente, pudiendo ocasionarle heridas a usted o a alguien cerca de usted.
- No emplee fuerza cuando inserte el cartucho de batería. Si el cartucho no se desliza al interior fácilmente, será porque no está siendo insertado correctamente.

### Accionamiento del interruptor (Fig. 2)

#### PRECAUCIÓN:

- Antes de insertar el cartucho de batería en la herramienta, compruebe siempre para cerciorarse de que el gatillo interruptor se acciona debidamente y que vuelve a la posición "OFF" cuando lo suelta.

Para poner en marcha la herramienta, simplemente apriete el gatillo interruptor. La velocidad de la herramienta aumenta incrementando la presión en el gatillo. Suelte el gatillo interruptor para parar.

### Iluminación de la lámpara delantera (Fig. 3)

#### PRECAUCIÓN:

- No mire a la luz ni vea la fuente de luz directamente.

Apriete el gatillo interruptor para encender la lámpara. La lámpara seguirá encendida mientras el gatillo interruptor esté siendo apretado.

La luz se apagará automáticamente 10 – 15 segundos después de soltar el gatillo interruptor.

#### NOTA:

- Utilice un paño seco para quitar la suciedad de la lente de la lámpara. Tenga cuidado de no rayar la lente de la lámpara, porque podrá disminuir la iluminación.

### Accionamiento del interruptor de inversión (Fig. 4)

Esta herramienta tiene un interruptor de inversión para cambiar la dirección de giro. Presione hacia dentro la palanca del interruptor de inversión del lado A para giro hacia la derecha o del lado B para giro hacia la izquierda. Cuando la palanca del interruptor de inversión esté en la posición neutral, no se podrá apretar el gatillo interruptor.

#### PRECAUCIÓN:

- Confirme siempre la dirección de giro antes de la operación.
- Utilice el interruptor de inversión solamente después de que la herramienta se haya parado completamente. Si cambia la dirección de giro antes de que la herramienta se haya parado podrá dañarla.
- Cuando no esté utilizando la herramienta, ponga siempre la palanca del interruptor de inversión en la posición neutral.

## MONTAJE

### PRECAUCIÓN:

- Asegúrese siempre de que la herramienta esté apagada y el cartucho de batería extraído antes de realizar cualquier trabajo en la herramienta.

## Instalación o desmontaje de la punta de atornillar o punta de tubo

Utilice solamente puntas que tengan la porción de inserción mostrada en la figura. (Fig. 5)

### Para herramienta con agujero de punta corto

A = 12 mm B = 9 mm	Utilice solamente estos tipos de puntas. Siga el procedimiento (1). (Nota) No es necesario el acoplador de punta.
-----------------------	---

### Para herramienta con agujero de punta profundo

A = 17 mm B = 14 mm	Para instalar estos tipos de puntas, siga el procedimiento (1).
A = 12 mm B = 9 mm	Para instalar estos tipos de puntas, siga el procedimiento (2). (Nota) Para instalar la punta es necesario el acoplador de punta.

1. Para los modelos BTD130F, BTD140, BTD142  
Para instalar la punta, tire del manguito en el sentido de la flecha e inserte la punta en el manguito a tope. Después suelte el manguito para sujetar la punta.

Para el modelo BTD141

Para instalar la punta de atornillar, insértela en el manguito a tope. (Fig. 6)

2. Para instalar la punta, tire del manguito en el sentido de la flecha e inserte el acoplador de punta en el manguito a tope. El acoplador de punta deberá ser insertada en el manguito con su extremo puntiagudo hacia el interior. Después suelte el manguito para sujetar la punta. (Fig. 7)

Para extraer la punta de atornillar, tire del manguito en el sentido de la flecha y tire de la punta de atornillar firmemente.

#### NOTA:

- Si la punta de atornillar no está suficientemente insertada en el manguito, el manguito no retornará a su posición original y la punta no quedará bien sujeta. En este caso, intente reinsertando la punta de atornillar de acuerdo con las instrucciones indicadas arriba.
- Cuando resulte difícil insertar la punta de atornillar, tire del manguito e insértela en el manguito a tope.
- Después de insertar la punta, asegúrese de que está firmemente sujeta. Si se sale, no la utilice.

### Gancho (Fig. 8)

El gancho resulta útil para colgar temporalmente la herramienta. Se puede instalar en cualquiera de los lados de la herramienta.

Para instalar el gancho, insértelo en una ranura de cualquiera de los costados del alojamiento de la herramienta y después sujételo con un tornillo. Para quitarlo, afloje el tornillo y después sáquelo.

## OPERACIÓN

La torsión de apriete apropiada podrá variar dependiendo del tipo o tamaño del tornillo/perno, el material de la pieza de trabajo a apretar, etc. La relación entre la torsión de apriete y el tiempo de apriete se muestra en las figuras. (Fig. 9, 10 y 11)

Sujete la herramienta firmemente y coloque la punta de la punta de atornillar en la cabeza del tornillo. Aplique presión frontal a la herramienta suficiente como para que la punta no se deslice del tornillo y encienda la herramienta para comenzar la operación.

#### NOTA:

- Utilice la punta apropiada para la cabeza del tornillo/perno que desee utilizar.
- Cuando esté apretando un tornillo M8 o más pequeño, ajuste cuidadosamente la presión en el gatillo interruptor para no dañar el tornillo.
- Sujete la herramienta dirigida en línea recta al tornillo.
- Si aprieta el tornillo durante más tiempo que el mostrado en las figuras, el tornillo o la punta de la punta de atornillar podrá sobrefatigarse, estropearse, dañarse, etc. Antes de comenzar su tarea, realice siempre una operación de prueba para determinar la torsión de apriete apropiada para su tornillo.

La torsión de apriete se verá afectada por una amplia variedad de factores, incluidos los siguientes. Después de apretar, compruebe siempre la torsión con una llave dinamo métrica.

1. Cuando el cartucho de batería esté casi completamente descargado, caerá la tensión y se reducirá la torsión de apriete.
2. Punta de atornillar o punta de tubo.  
El no utilizar el tamaño correcto de punta de atornillar o punta de tubo ocasionará una reducción de la torsión de apriete.
3. Perno
  - Aunque el coeficiente de torsión y la clase de perno sean iguales, la torsión de apriete variará de acuerdo con el diámetro del perno.
  - Aunque los diámetros de los pernos sean iguales, la torsión de apriete apropiada variará de acuerdo con el coeficiente de torsión, la clase de perno y la longitud del perno.
4. La manera de sujetar la herramienta o el material o la posición del material a atornillar afectarán a la torsión.
5. La operación de la herramienta a baja velocidad ocasionará una reducción de la torsión de apriete.

## MANTENIMIENTO

#### PRECAUCIÓN:

- Asegúrese siempre de que la herramienta esté apagada y el cartucho de batería extraído antes de intentar realizar una inspección o mantenimiento.
- No utilice nunca gasolina, bencina, disolvente, alcohol o similares. Podría producir descoloración, deformación o grietas.

### Reemplazo de las escobillas de carbón

Reemplácelas cuando se hayan desgastado hasta la marca límite. Mantenga las escobillas de carbón limpias de forma que entren libremente en los portaescobillas. Deberán reemplazarse ambas escobillas de carbón al mismo tiempo. Utilice únicamente escobillas de carbón idénticas. (Fig. 12)

Utilice un destornillador para quitar los dos tornillos y después quite la cubierta posterior. (Fig. 13)

Levante la parte del brazo del resorte y después póngalo en la parte rebajada del alojamiento con un destornillador de punta plana de eje largo y fino o similar. (Fig. 14)

Utilice unos alicates para quitar la tapa de las escobillas de carbón. Extraiga las escobillas de carbón desgastadas, inserte las nuevas y vuelva a colocar la tapa de las escobillas de carbón en sentido inverso. (Fig. 15)

Asegúrese de que la tapa de las escobillas de carbón haya encajado en los agujeros de los portaescobillas firmemente. (Fig. 16)

Vuelva a instalar la cubierta posterior y apriete los dos tornillos firmemente.

Para mantener la SEGURIDAD y la FIABILIDAD del producto, las reparaciones y cualquier otro mantenimiento o ajuste deberán ser realizados por los centros de servicio autorizado de Makita, siempre con piezas de repuesto de Makita.

## ACCESORIOS

### PRECAUCIÓN:

• Estos accesorios o aditamentos están recomendados para su uso con la herramienta Makita especificada en este manual. El uso de cualquier otro accesorio o aditamento puede suponer un riesgo de lesiones personales. Utilice el accesorio o aditamento exclusivamente para su uso declarado.

Si necesita información más detallada sobre estos accesorios, consulte con su centro local de servicio de Makita.

- Puntas de atornillar
- Gancho
- Maletín de transporte de plástico
- Diferentes tipos de baterías y cargadores genuinos de Makita
- Acoplador de punta

ENG905-1

## Ruido

El nivel de ruido A-ponderado típico determinado de acuerdo con la norma EN60745:

### Modelo BTD130F, BTD140, BTD141

Nivel de presión sonora ( $L_{pA}$ ): 90 dB (A)  
Nivel de potencia sonora ( $L_{WA}$ ): 101 dB (A)  
Error (K): 3 dB (A)

### Modelo BTD142

Nivel de presión sonora ( $L_{pA}$ ): 89 dB (A)  
Nivel de potencia sonora ( $L_{WA}$ ): 100 dB (A)  
Error (K): 3 dB (A)

### Póngase protectores en los oídos

ENG900-1

## Vibración

El valor total de la vibración (suma de vectores triaxiales) determinado de acuerdo con la norma EN60745:

### Modelo BTD130F

Modo tarea: apretado por impacto de tornillos de la máxima capacidad de la herramienta  
Emisión de vibración ( $a_{h1}$ ): 14,0 m/s<sup>2</sup>  
Error (K): 1,5 m/s<sup>2</sup>

### Modelo BTD140, BTD141

Modo tarea: apretado por impacto de tornillos de la máxima capacidad de la herramienta  
Emisión de vibración ( $a_{h1}$ ): 17,0 m/s<sup>2</sup>  
Error (K): 1,5 m/s<sup>2</sup>

## Modelo BTD142

Modo tarea: apretado por impacto de tornillos de la máxima capacidad de la herramienta

Emisión de vibración ( $a_{h1}$ ): 15,5 m/s<sup>2</sup>

Error (K): 1,5 m/s<sup>2</sup>

ENG901-1

- El valor de emisión de vibración declarado ha sido medido de acuerdo con el método de prueba estándar y se puede utilizar para comparar una herramienta con otra.
- El valor de emisión de vibración declarado también se puede utilizar en una valoración preliminar de exposición.

## ADVERTENCIA:

- La emisión de vibración durante la utilización real de la herramienta eléctrica puede variar del valor de emisión declarado dependiendo de las formas en las que la herramienta sea utilizada.
- Asegúrese de identificar medidas de seguridad para proteger al operario que estén basadas en una estimación de la exposición en las condiciones reales de utilización (teniendo en cuenta todas las partes del ciclo operativo tal como las veces cuando la herramienta está apagada y cuando está funcionando en vacío además del tiempo de gatillo).

ENH101-14

## Para países europeos solamente

### Declaración de conformidad CE

**Makita Corporation como fabricante responsable declara que la(s) siguiente(s) máquina(s) de Makita:**  
Designación de máquina: Atornillador de impacto a batería

Modelo N°/Tipo: BTD130F, BTD140, BTD141, BTD142 son producidas en serie y

**Cumplen con las directivas europeas siguientes:**  
2006/42/EC

Y que están fabricadas de acuerdo con las normas o documentos normalizados siguientes:

EN60745

Los documentos técnicos los guarda nuestro representante autorizado en Europa cuya persona es:

Makita International Europe Ltd.  
Michigan Drive, Tongwell,  
Milton Keynes, MK15 8JD, Inglaterra

30. 1. 2009



Tomoyasu Kato  
Director

Makita Corporation  
3-11-8, Sumiyoshi-cho,  
Anjo, Aichi, JAPAN

**Explicação geral**

1	Parte vermelha	9	Extensão de broca	18	Marca limite
2	Botão	10	Gancho	19	Cobertura traseira
3	Bateria	11	Parafuso	20	Parafusos
4	Gatilho	12	Ranhura	21	Mola
5	Lâmpada	13	Perno normal	22	Braço
6	Alavanca interruptora de inversão	14	Binário de aperto	23	Parte retraída
7	Broca	15	Binário de aperto adequado	24	Tampa da escova de carvão
8	Manga	16	Tempo de aperto	25	Orifício
		17	Parafuso de grande elasticidade		

**ESPECIFICAÇÕES**

Modelo		BTD130F	BTD140	BTD141	BTD142
Capacidades	Parafuso de precisão	4 mm – 8 mm			
	Perno normal	5 mm – 14 mm			
	Parafuso de grande elasticidade	5 mm – 12 mm			
Velocidade em vazio (min <sup>-1</sup> )		0 – 2.400	0 – 2.300		
Impactos por minuto		0 – 3.200			
Comprimento total		146 mm		145 mm	146 mm
Peso líquido		1,4 kg	1,3 kg		
Voltagem nominal		14,4 V CC	18 V CC		

- Devido ao nosso programa contínuo de pesquisa e desenvolvimento, as características indicadas neste documento estão sujeitas a alterações sem aviso prévio.
- As especificações e a bateria podem diferir de país para país.
- Peso, com a bateria, de acordo com o Procedimento 01/2003 da EPTA (European Power Tool Association)

ENE033-1

**Utilização a que se destina**

A ferramenta foi concebida para aparafusamento em madeira, metal e plástico.

GEA010-1

**Avisos gerais de segurança para ferramentas eléctricas**

**⚠ AVISO! Leia todos os avisos de segurança e todas as instruções.** O não cumprimento de todos os avisos e instruções pode originar choque eléctrico, incêndio e/ou ferimentos graves.

**Guarde todos os avisos e instruções para futuras referências.**

GEB054-1

**AVISOS DE SEGURANÇA PARA A BERBEQUIM DE IMPACTO A BATERIA**

1. **Agarre na ferramenta eléctrica pelas partes isoladas quando executa uma operação em que o parafuso possa entrar em contacto com fios ocultos.** O contacto do parafuso com um fio “ligado” poderá carregar as partes metálicas da ferramenta e causar choque eléctrico no operador.

2. **Certifique-se sempre de que tem os pés bem assentes.**  
**Certifique-se de que não está ninguém por baixo quando utilizar a ferramenta em locais altos.**
3. **Segure a ferramenta firmemente.**
4. **Use protectores nos ouvidos.**

**GUARDE ESTAS INSTRUÇÕES.****AVISO:**

**NÃO permita que conforto ou familiaridade com o produto (adquirido com o uso repetido) substitua a aderência estrita às regras de segurança da ferramenta.**

**MÁ INTERPRETAÇÃO ou não seguimento das regras de segurança estabelecidas neste manual de instruções pode causar danos pessoais sérios.**

ENC007-5

**IMPORTANTES INSTRUÇÕES DE SEGURANÇA****PARA A BATERIA**

1. **Antes de utilizar a bateria, leia todas as instruções e etiquetas de precaução no (1) carregador de bateria (2) bateria e (3) produto que utiliza a bateria.**
2. **Não abra a bateria.**
3. **Se o tempo de funcionamento se tornar excessivamente curto, pare o funcionamento imediatamente. Pode resultar em sobreaquecimento, possíveis queimaduras e mesmo explosão.**
4. **Se entrar electrolito nos seus olhos, lave-os com água e consulte imediatamente um médico. Pode resultar em perda de visão.**

5. Não curta-circuite a bateria:
  - (1) Não toque nos terminais com qualquer material condutor.
  - (2) Evite guardar a bateria juntamente com outros objectos metálicos tais como pregos, moedas, etc.
  - (3) Não exponha a bateria à água ou chuva. Um curto-circuito pode ocasionar um enorme fluxo de corrente, sobreaquecimento, possíveis queimaduras e mesmo estragar-se.
6. Não guarde a ferramenta e a bateria em locais onde a temperatura pode atingir ou exceder 50°C.
7. Não queime a bateria mesmo que esteja estragada ou completamente gasta. A bateria pode explodir no fogo.
8. Tenha cuidado para não deixar cair ou dar pancadas na bateria.
9. Não utilize uma bateria danificada.

## GUARDE ESTAS INSTRUÇÕES.

### Conselhos para manter a máxima vida útil da bateria

1. Carregue a bateria antes que esteja completamente descarregada. Pare sempre o funcionamento da ferramenta e carregue a bateria quando notar menos poder na ferramenta.
2. Nunca carregue uma bateria completamente carregada. Carregamento excessivo diminui a vida útil da bateria.
3. Carregue a bateria à temperatura ambiente de 10°C – 40°C. Deixe que uma bateria quente arrefeça antes de a carregar.

## DESCRIÇÃO FUNCIONAL

### PRECAUÇÃO:

- Certifique-se sempre de que a ferramenta está desligada e a bateria retirada antes de regular ou verificar qualquer função na ferramenta.

### Instalar ou retirar a bateria (Fig. 1)

- Desligue sempre a ferramenta antes de colocar ou retirar a bateria.
- Para retirar a bateria, tire-a da ferramenta deslizando o botão na parte da frente da bateria.
- Para colocar a bateria, alinhe a lingueta na bateria com a ranhura na caixa e deslize-a para o seu lugar. Coloque-a sempre completamente até que faça um clique no seu lugar. Se conseguir ver a parte vermelha no lado superior do botão, não está completamente colocada. Coloque-a completamente até que não possa ver a parte vermelha. Se assim não for, pode acidentalmente cair da ferramenta ferindo-o a si ou alguém próximo.
- Não utilize força quando coloca a bateria. Se a bateria não deslizar facilmente é porque não foi colocada correctamente.

### Acção do interruptor (Fig. 2)

#### PRECAUÇÃO:

- Antes de colocar a bateria na ferramenta, verifique que o gatilho funciona correctamente e volta para a posição “OFF” quando libertado.

Para iniciar a ferramenta, carregue simplesmente no gatilho. A velocidade da ferramenta aumenta quando aumenta a pressão no gatilho. Liberte o gatilho para parar.

### Acender a lâmpada da frente (Fig. 3)

#### PRECAUÇÃO:

- Não olhe para a luz ou para a fonte de iluminação directamente.

Carregue no gatilho para acender a lâmpada. A lâmpada mantém-se acesa enquanto carrega no gatilho.

A luz desliga-se automaticamente 10 – 15 segundos depois de ter soltado o gatilho.

#### NOTA:

- Utilize um pano seco para limpar a sujidade das lentes da lâmpada. Tenha cuidado para não riscar as lentes da lâmpada ou pode diminuir a iluminação.

### Acção do interruptor de inversão (Fig. 4)

Esta ferramenta tem um interruptor de inversão para mudar a direcção de rotação. Pressione a alavanca do interruptor de inversão no lado A para rotação para a direita e no lado B para rotação para a esquerda.

Quando a alavanca do interruptor de inversão está na posição neutra, não pode carregar no gatilho.

#### PRECAUÇÃO:

- Verifique sempre a direcção de rotação antes da operação.
- Só utilize o interruptor de inversão depois da ferramenta estar completamente parada. Mudar a direcção de rotação antes da ferramenta parar pode estragar a ferramenta.
- Quando não funciona com a ferramenta, coloque sempre a alavanca do interruptor de inversão na posição neutra.

## ASSEMBLAGEM

### PRECAUÇÃO:

- Certifique-se sempre de que a ferramenta está desligada e a bateria retirada antes de executar qualquer manutenção na ferramenta.

### Instalar ou retirar a broca de aparafusar ou a broca de contacto

Utilize somente brocas que tenham a parte de inserção como mostrado na figura. (Fig. 5)

#### Para ferramenta com furo de broca raso

A = 12 mm B = 9 mm	Utilize só estes tipos de brocas. Execute o procedimento (1). (Nota) Não necessita de extensão de broca.
-----------------------	---

#### Para ferramenta com furo de broca profundo

A = 17 mm B = 14 mm	Para instalar estes tipos de brocas, execute o procedimento (1).
------------------------	--

A = 12 mm B = 9 mm	Para instalar estes tipos de brocas, execute o procedimento (2). (Nota) Necessita de extensão da broca para a instalar a broca.
-----------------------	--

1. Para os modelos BTD130F, BTD140, BTD142  
Para instalar a broca, puxe a manga na direcção da seta e coloque a broca na manga o mais fundo possível. Em seguida solte a manga para prender a broca.  
Para o modelo BTD141  
Para instalar a broca, coloque-a na manga o mais fundo possível. (Fig. 6)
2. Para instalar a broca, puxe a manga na direcção da seta e coloque a extensão da broca e a broca na manga o mais fundo possível. A extensão da broca deve ser colocada na manga com a extremidade pontiaguda virada para a manga. Em seguida liberte a manga para prender a broca. (Fig. 7)

Para retirar a broca, puxe a manga na direcção da seta e puxe a broca para fora firmemente.

#### NOTA:

- Se a broca não estiver colocada suficientemente funda na manga, a manga não voltará para a sua posição original e a broca não ficará presa. Neste caso, volte a colocar a broca de acordo com as instruções acima.
- Se for difícil colocar a broca, puxe a manga e coloque a broca na manga o mais fundo possível.
- Depois de colocar a broca, certifique-se de que esteja presa firmemente. Se sair, não a utilize.

#### Gancho (Fig. 8)

O gancho é conveniente para pendurar temporariamente a ferramenta. Pode ser instalado em qualquer dos lados da ferramenta.

Para instalar o gancho, coloque-o na ranhura no corpo da ferramenta em qualquer um dos lados e prenda-o com um parafuso. Para o retirar, solte os parafusos e retire-o.

## OPERAÇÃO

O binário de aperto adequado pode diferir dependendo do tipo e tamanho do parafuso/perno, o material da peça de trabalho a ser apertado, etc. A relação entre o binário de aperto e o tempo de aperto é indicado nas figuras. (Fig. 9, 10 e 11)

Agarre na ferramenta firmemente e coloque a ponta da broca de aparafusar na cabeça do parafuso. Aplique pressão para a frente na ferramenta de modo a que a broca não deslize para fora do parafuso e ligue a ferramenta para começar a operação.

#### NOTA:

- Utilize a broca correcta para a cabeça do parafuso/perno que deseja utilizar.
- Quando aparafusa um parafuso M8 ou mais pequeno, regule cuidadosamente a pressão no gatilho de modo a que não estrague o parafuso.
- Agarre na ferramenta apontada direita para o parafuso.
- Se apertar o parafuso durante um tempo superior ao indicado nas figuras, o parafuso ou a ponta da broca de aparafusar pode sofrer pressão excessiva, estilhaçar, estragar-se, etc. Antes de iniciar o seu trabalho, execute sempre primeiro um teste para determinar o tempo de aperto adequado para o seu parafuso.

O binário de aperto é afectado por uma enorme variedade de factores incluindo o seguinte. Depois do aperto, verifique sempre o binário com uma chave de binário.

1. Quando a bateria está quase completamente descarregada, a voltagem cairá e o binário de aperto será reduzido.
2. Broca de aparafusar ou broca de contacto  
A não utilização do tamanho correcto da broca de aparafusar ou broca de contacto causará redução no binário de aperto.
3. Perno
  - Mesmo que o coeficiente do binário e o tipo do perno sejam o mesmo, o binário de aperto adequado será diferente de acordo com o diâmetro do perno.
  - Mesmo que os diâmetros dos pernos sejam os mesmos, o binário de aperto adequado será diferente de acordo com o coeficiente do binário, o tipo e comprimento do perno.
4. O modo de pegar na ferramenta ou o material na posição a ser aparafusada afectará o binário.
5. Funcionar com a ferramenta a baixa velocidade causará redução do binário de aperto.

## MANUTENÇÃO

### PRECAUÇÃO:

- Certifique-se sempre de que a ferramenta está desligada e a bateria retirada antes de tentar executar qualquer inspecção ou manutenção.
- Nunca utilize gasolina, benzina, diluente, álcool ou produtos semelhantes. Pode ocorrer a descoloração, deformação ou rachaduras.

### Substituição das escovas de carvão

Substitua-as quando estiverem gastas até à marca limite. Mantenha as escovas de carvão limpas e a deslizarem livremente nos suportes. As duas escovas de carvão devem ser substituídas ao mesmo tempo. Utilize só escovas de carvão idênticas. (Fig. 12)

Utilize uma chave de parafusos para retirar os dois parafusos e em seguida retire a cobertura traseira. (Fig. 13)  
Levante o braço da mola e em seguida coloque-o na parte retraída do corpo com uma chave entalhada de veio fino ou semelhante. (Fig. 14)

Utilize um alicate para retirar a tampa da escova de carvão, das escovas de carvão. Retire as escovas de carvão usadas, coloque as novas e volte a colocar a tampa da escova de carvão no sentido inverso. (Fig. 15)

Certifique-se que a tampa da escova de carvão encaixou seguramente nos orifícios nos suportes das escovas de carvão. (Fig. 16)

Volte a instalar a cobertura traseira e aperte firmemente os dois parafusos.

Para manter a SEGURANÇA e FIABILIDADE, as reparações e outras acções de manutenção ou ajustes devem ser executados pelos Centros de assistência autorizados da Makita, utilizando sempre peças de substituição Makita.

## ACESSÓRIOS

ENG901-1

### PRECAUÇÃO:

- Estes acessórios ou peças são recomendados para utilização com a ferramenta Makita especificada neste manual. A utilização de outros acessórios ou peças pode ser perigosa para as pessoas. Utilize apenas acessórios ou peças para os fins indicados.

Se precisar de ajuda para obter mais informações relativos a estes acessórios, entre em contacto com o centro de assistência Makita local.

- Brocas espirais
- Gancho
- Caixa de plástico para transporte
- Vários tipos de baterias Makita e carregadores
- Extensão de broca

ENG905-1

### Ruído

A característica do nível de ruído A determinado de acordo com EN60745:

#### Modelo BTD130F, BTD140, BTD141

Nível de pressão de som ( $L_{pA}$ ): 90 dB (A)

Nível do som ( $L_{WA}$ ): 101 dB (A)

Variabilidade (K): 3 dB (A)

#### Modelo BTD142

Nível de pressão de som ( $L_{pA}$ ): 89 dB (A)

Nível do som ( $L_{WA}$ ): 100 dB (A)

Variabilidade (K): 3 dB (A)

**Utilize protectores para os ouvidos**

ENG900-1

### Vibração

Valor total da vibração (soma vectorial tri-axial) determinado conforme EN60745:

#### Modelo BTD130F

Modo de funcionamento: aperto com impacto de

parafusos de capacidade máxima da ferramenta

Emissão de vibração ( $a_{hv}$ ): 14,0 m/s<sup>2</sup>

Variabilidade (K): 1,5 m/s<sup>2</sup>

#### Modelo BTD140, BTD141

Modo de funcionamento: aperto com impacto de

parafusos de capacidade máxima da ferramenta

Emissão de vibração ( $a_{hv}$ ): 17,0 m/s<sup>2</sup>

Variabilidade (K): 1,5 m/s<sup>2</sup>

#### Modelo BTD142

Modo de funcionamento: aperto com impacto de

parafusos de capacidade máxima da ferramenta

Emissão de vibração ( $a_{hv}$ ): 15,5 m/s<sup>2</sup>

Variabilidade (K): 1,5 m/s<sup>2</sup>

- O valor da emissão de vibração indicado foi medido de acordo com o método de teste padrão e pode ser utilizado para comparar duas ferramentas.
- O valor da emissão de vibração indicado pode também ser utilizado na avaliação preliminar da exposição.

### AVISO:

- A emissão de vibração durante a utilização real da ferramenta eléctrica pode diferir do valor de emissão indicado, dependendo das formas como a ferramenta é utilizada.
- Certifique-se de identificar as medidas de segurança para protecção do operador que sejam baseadas em uma estimativa de exposição em condições reais de utilização (considerando todas as partes do ciclo de operação, tal como quando a ferramenta está desligada e quando está a funcionar em marcha lenta além do tempo de accionamento).

ENH101-14

### Só para países Europeus

### Declaração de conformidade CE

**Nós, a Makita Corporation, fabricante responsável, declaramos que a(s) seguinte(s) ferramenta(s) Makita:**

Designação da ferramenta:

Berbequim de impacto a bateria

Modelos n°/Tipo: BTD130F, BTD140, BTD141, BTD142

são de produção de série e

**Em conformidade com as seguintes directivas europeias:**

2006/42/EC

E estão fabricados de acordo com as seguintes normas ou documentos normativos:

EN60745

A documentação técnica é mantida pelo nosso representante autorizado na Europa:

Makita International Europe Ltd.

Michigan Drive, Tongwell,

Milton Keynes, MK15 8JD, Inglaterra

30. 1. 2009



Tomoyasu Kato  
Director

Makita Corporation  
3-11-8, Sumiyoshi-cho,  
Anjo, Aichi, JAPAN



**Illustrationsoversigt**

1 Rød del	10 Krog	19 Bagdæksel
2 Knap	11 Skrue	20 Skruer
3 Akku	12 Rille	21 Fjeder
4 Afbryderknap	13 Standardbolt	22 Arm
5 Lampe	14 Drejningsmoment	23 Udsparing
6 Omløbsvælger	15 Korrekte drejningsmoment	24 Kulbørstehætte
7 Bit	16 Fastspændingstid	25 Hul
8 Muffe	17 Højstyrkebolt	
9 Bitsykke	18 Slidmarkeringen	

**SPECIFIKATIONER**

Model	BTD130F	BTD140	BTD141	BTD142
Kapacitet	Maskinskrue	4 mm – 8 mm		
	Standardbolt	5 mm – 14 mm		
	Højstyrkebolt	5 mm – 12 mm		
Omdrejninger ubelastet (min <sup>-1</sup> )	0 – 2 400	0 – 2 300		
Slag per minut	0 – 3 200			
Længde	146 mm		145 mm	146 mm
Vægt	1,4 kg	1,3 kg		
Spænding	DC 14,4 V	DC 18 V		

- Ret til tekniske ændringer forbeholdes.
- Specifikationer og akku kan variere fra land til land.
- Vægt inklusive akku, i henhold til EPTA-Procedure 01/2003

ENE033-1

**Tilsigtet anvendelse**

Denne maskine er beregnet til skruring i træ, metal og plastmaterialer.

GEA010-1

**Almindelige sikkerhedsregler for el-værktøj**

**⚠ ADVARSEL! Læs alle sikkerhedsadvarsler og alle sikkerhedsinstruktioner.** Hvis nedenstående advarsler og instruktioner ikke overholdes, kan resultatet blive elektrisk stød, brand og/eller alvorlig personskade.

**Gem alle advarsler og instruktioner til fremtidig reference.**

GEB054-1

**SIKKERHEDSADVARSLER FOR AKKU SLAGSKRUETRÆKKER**

1. Hold kun maskinen i de isolerede grebflader, når De udfører arbejde, hvor fastgøringsanordningen kan komme i kontakt med skjulte ledninger. Fastgørelsesanordninger, som kommer i kontakt med en strømførende ledning kan gøre uafdækkede metaldele på maskinen strømførende og give operatøren stød.
2. Sørg for at stå på et fast underlag. Sørg for at der ikke opholder sig personer under arbejdsområdet, når De arbejder i højden.
3. Hold maskinen med begge hænder.
4. Brug høreværn, handsker, sikkerhedsbriller, etc.

**GEM DISSE FORSKRIFTER.**

**ADVARSEL:**

LAD IKKE bevemmelighed eller kendskab til produktet (opnået gennem gentagen brug) forhindre, at sikkerhedsforskrifterne for produktet nøje overholdes.

MISBRUG eller forsømmelse af at følge de i denne brugsvejledning givne sikkerhedsforskrifter kan føre til, at De kommer alvorligt til skade.

ENC007-5

**VIGTIGE SIKKERHEDSFORSKRIFTER**

**FOR BATTERIPATRON**

1. Læs alle instruktioner og advarselmærkater på (1) batteriopladeren, (2) batteriet og (3) produktet, som anvender batterier.
2. Lad være med at skille akkuen ad.
3. Hold straks op med at anvende opladeren, hvis brugstiden er blevet stærkt afkortet. Fortsat anvendelse kan resultere i risiko for overophedning, forbrændinger og endog eksplosion.
4. Hvis du har fået batterielektrolyt i øjnene, skal du straks skylle den ud med rent vand og derefter øjeblikkeligt søge lægehjælp. I modsat fald kan resultatet blive, at du mister synet.
5. Vær påpasselig med ikke at komme til at kortslutte akkuen:
  - (1) Rør ikke ved terminalerne med noget ledende materiale.
  - (2) Undgå at opbevare akkuen i en beholder sammen med andre genstande af metal, som for eksempel søm, mønter og lignende.
  - (3) Udsæt ikke akkuen for vand eller regn. Kortslutning af batteriet kan være årsag til en kraftig øgning af strømmen, overophedning, mulige forbrændinger og endog maskinstop.

- Opbevar ikke maskinen og akkuen på et sted, hvor temperaturen kan nå eller overstige 50°C.
- Lad være med at brænde batteriet, selv ikke i tilfælde, hvor det har lidt alvorlig skade eller er fuldstændig udtjent. Akkuen kan eksplodere, hvis man forsøger at brænde den.
- Lad være med at brænde batteriet eller udsætte det for stød.
- Anvend ikke en beskadiget akku.

## GEM DENNE BRUGSANVISNING.

### Tips til opnåelse af maksimal batterilevetid

- Oplad altid akkuen, inden den er helt afladet. Stop altid maskinen og oplad akkuen, hvis det bemærkes, at maskineffekten er dalende.
- Genoplad aldrig en fuldt opladet akku. Overopladning vil afkorte batteriets levetid.
- Oplad akkuen ved stuetemperatur ved 10°C – 40°C. Lad altid en varm akkuen få tid til at køle af, inden den oplades.

## FUNKTIONSBESKRIVELSE

### ADVARSEL:

- Sørg altid for at maskinen er slukket, og at akkuen er taget ud, før der udføres justering eller kontrol af funktioner på maskinen.

### Isætning og udtagning af akku (Fig. 1)

- Sluk altid for maskinen, før akkuen sættes i eller tages ud.
- Akkuen fjernes ved at man trækker den ud af maskinen, mens man skyder knappen foran på akkuen i stilling.
- Isæt akkuen ved at rette dens tunge ind efter rillen i huset. Skyd derefter akkuen helt ind, til den låser på plads med et lille klik. Hvis den røde del på oversiden af knappen er synlig, er akkuen ikke låst korrekt. Skyd akkuen helt ind, indtil den røde del ikke er synlig. Hvis akkuen ikke sættes i på denne måde, kan den ved et uheld falde ud af maskinen, og eventuelt forvolde personskade på Dem selv eller andre.
- Brug aldrig magt, når akkuen sættes i. Hvis ikke akkuen glider i uden besvær, er det fordi, at den vender forkert.

### Afbryderbetjening (Fig. 2)

#### ADVARSEL:

- Inden akkuen sættes i maskinen, bør De altid kontrollere, at afbryderknappen fungerer korrekt og returnerer til "OFF" positionen, når den slippes.

For at starte maskinen trykkes der blot på afbryderen. Maskinens hastighed øges ved at øge trykket på afbryderknappen. Slip afbryderen for at stoppe.

### Tænd af forlamperne (Fig. 3)

#### ADVARSEL:

- Kig aldrig direkte på lyskilden. Lad ikke lyset falde i Deres øjne.

Tryk afbryderknappen ind for at tænde lampen. Lampen bliver ved med at lyse, så længe afbryderknappen holdes inde.

Lampen slukker automatisk 10 – 15 sekunder efter at afbryderknappen er sluppet.

### BEMÆRK:

- Anvend en tør klud til at tørre snavs af lampens linse. Undgå at ridse lampens linse, da det kan nedsætte lysstyrken.

### Omløbsvælgerbetjening (Fig. 4)

Denne maskinen har en omløbsvælger til at skifte omløbsretning. Skub omløbsvælgeren ind fra A-siden for omdrejning med uret, og fra B-siden for omdrejning mod uret.

Når omløbsvælgeren er i neutral stilling, kan afbryderknappen ikke trykkes ind.

#### ADVARSEL:

- Kontrollér altid omløbsretningen, inden arbejdet påbegyndes.
- Flyt kun omløbsvælgeren, når maskinen er helt standset. Hvis omløbsretningen ændres, inden maskinen er helt stoppet, kan det beskadige maskinen.
- Sæt altid omløbsvælgeren i neutral stilling, når maskinen ikke anvendes.

## SAMLING

### ADVARSEL:

- Sørg altid for at maskinen er slukket, og at akkuen er taget ud, før der udføres noget arbejde på maskinen.

### Montering og afmontering af skruebit eller top

Anvend kun bits, som har en isætningsdel som den, der vises på illustrationen. (Fig. 5)

#### For maskine med lavt bithul

A = 12 mm B = 9 mm	Anvend kun denne type bit. Følg fremgangsmåden (1). (Bemærk) Bitstykke er ikke nødvendig.
-----------------------	--

#### For maskine med dybt bithul

A = 17 mm B = 14 mm	For at montere disse typer af bits, følges fremgangsmåde (1).
A = 12 mm B = 9 mm	For at montere disse typer af bits, følges fremgangsmåde (2). (Bemærk) Bitstykke er ikke nødvendigt for at montere bitten.

- Til modellerne BTD130F, BTD140, BTD142  
For at montere bitten trækkes muffen i pilens retning, og bitten sættes helt ind i muffen. Slip derefter muffen for at låse bitten.

Til model BTD141

For at montere bitten, sættes bitten så langt ind i muffen som den kan komme. (Fig. 6)

- For at montere bitten trækkes muffen i pilens retning, og bitstykket og bitten sættes helt ind i muffen. Bitstykket skal sættes i muffen med dets spidse ende indad. Slip derefter muffen for at låse bitten. (Fig. 7)

For at afmontere bitten trækkes muffen i pilens retning, og bitten trækkes ud med fast hånd.

## BEMÆRK:

- Hvis bitten ikke sættes langt nok ind i muffen, vil muffen ikke vende tilbage til dens oprindelige position, og bitten vil ikke blive holdt ordentlig fast. I så tilfælde kan De prøve at isætte bitten igen som beskrevet i instruktionerne ovenfor.
- Hvis det er svært at sætte bitten ind, skal man trække i muffen og sætte den så langt ind i muffen som den kan komme.
- Kontroller, at bitten sidder godt fast, når den er sat ind. Den må ikke bruges, hvis den kommer ud.

## Krog (Fig. 8)

Krogen er beregnet til midlertidig ophængning af maskinen. Den kan monteres på begge sider af maskinen.

Krogen monteres ved at man sætter den ind i rillen på maskinen på en af siderne og derefter fastgør den med en skrue. Krogen tages af ved at man løsner skruen og derefter tager den af.

## BETJENING

Det korrekte drejningsmoment kan svinge afhængigt af skruens eller boltens type eller størrelse, materialet på emnet, der skal fastgøres, osv. Forholdet mellem drejningsmoment og fastspændingstid er vist i figurerne. (Fig. 9, 10 og 11)

Hold godt fast på maskinen, og anbring spidsen af skrue-trækkerbitten i skruens hoved. Læg fremadrettet tryk på maskinen, men kun så meget at bitten ikke smutter ud af skruen, og tænd for maskinen for at starte operationen.

## BEMÆRK:

- Anvend den korrekte bit passende til hovedet på den skrue eller bolt, som De ønsker at anvende.
- Ved fastspænding af M8 eller mindre skrue skal trykket på afbryderknappen reguleres omhyggeligt, således at skruen ikke bliver beskadiget.
- Hold maskinen vinkelret på skruen.
- Hvis skruen spændes i længere tid end vist i ovenstående figurer, kan skruen eller spidsen på skruebitten blive overbelastet, skrues over gevind, ødelagt, osv. Før arbejdet påbegyndes, bør De foretage en prøvetilspænding for at bestemme den korrekte fastspændingstid for Deres skruetype.

Drejningsmomentet påvirkes af en lang række faktorer, herunder de nedenfor nævnte. Kontroller altid momentet med en momentnøgle efter fastspænding.

1. Når akkuen er næsten helt afladet, falder spændingen og derved reduceres drejningsmomentet.
2. Skrue-trækkerbit eller top  
Hvis der ikke bruges den korrekte størrelse skrue-trækkerbit eller top, vil drejningsmomentet blive reduceret.
3. Bolt
  - Selvom momentkoefficienten og bolttypen er den samme, vil det korrekte drejningsmoment variere afhængigt af diameteren på bolt.
  - Selv ved samme bolt diameter kan det korrekte drejningsmoment variere afhængigt af momentkoefficienten, bolttypen og længde.
4. Den måde maskinen holdes på, og materialet på det sted, hvor der fastgøres, vil påvirke drejningsmomentet.
5. Når maskinen anvendes med lav hastighed, reduceres drejningsmomentet.

## VEDLIGEHOLDELSE

### ADVARSEL:

- Sørg altid for at maskinen er slukket, og at akkuen er taget ud, før der udføres eftersyn eller vedligeholdelse på maskinen.
- Anvend aldrig benzin, rensebenzin, fortynder, alkohol og lignende. Resultatet kan blive misfarvning, deformation eller revner.

### Udskiftning af kul

Udskift kullene, når de er slidt ned til slidmarkeringen. Hold kullene rene og i stand til frit at glide ind i holderne. Begge kul skal udskiftes parvist samtidigt. Anvend kun identiske kulbørster. (Fig. 12)

Fjern to skrue med skrue-trækkeren, og tag derefter bagdækslet af. (Fig. 13)

Løft arm-delen på fjederen og anbring den i den udsparede del af maskinen med en borskruetrækker med kærvt og smalt skaft eller lignende. (Fig. 14)

Anvend en tang til at fjerne kulbørsternes kulbørstehætte. Tag de slidte kulbørster ud, sæt de nye i, og sæt kulbørstehætten tilbage på plads. (Fig. 15)

Sørg for, at kulbørstehætten er sat i hullerne i kulbørsteholderne på korrekt vis. (Fig. 16)

Sæt bagdækslet på plads igen, og stram de to skrue godt til.

For at opretholde produktets SIKKERHED og PÅLIDELIGHED bør reparation, vedligeholdelse og justering kun udføres af et Makita Service Center med anvendelse af originale Makita udskiftningsdele.

## TILBEHØR

### ADVARSEL:

Det følgende tilbehør og ekstraudstyr er anbefalet til brug med Deres Makita maskine, der er beskrevet i denne brugsanvisning. Anvendelse af andet tilbehør eller ekstraudstyr kan udgøre en risiko for personskade. Anvend kun tilbehør og ekstraudstyr til det beskrevne formål.

Hvis De har behov for yderligere detaljer om dette tilbehør, bedes De kontakte Deres lokale Makita Service Center.

- Skruebits
- Krog
- Plastbæretasken
- Forskellige typer af originale Makita-akkuer og opladere
- Bitstyrke

**Lyd**

Det typiske A-vægtede støjniveau bestemt i overensstemmelse med EN60745:

**Model BTD130F, BTD140, BTD141**

Lydtryksniveau ( $L_{pA}$ ): 90 dB (A)  
Lydeffektniveau ( $L_{WA}$ ): 101 dB (A)  
Usikkerhed (K): 3 dB (A)

**Model BTD142**

Lydtryksniveau ( $L_{pA}$ ): 89 dB (A)  
Lydeffektniveau ( $L_{WA}$ ): 100 dB (A)  
Usikkerhed (K): 3 dB (A)

**Bær høreværn**

ENG900-1

**Vibration**

Vibrations totalværdi (tre-aksial vektorsum) bestemt i overensstemmelse med EN60745:

**Model BTD130F**

Arbejdsindstilling: Slag-stramning af fastgøringsanordninger af maskinens maks. kapacitet  
Vibrationsafgivelse ( $a_H$ ): 14,0 m/s<sup>2</sup>  
Usikkerhed (K): 1,5 m/s<sup>2</sup>

**Model BTD140, BTD141**

Arbejdsindstilling: Slag-stramning af fastgøringsanordninger af maskinens maks. kapacitet  
Vibrationsafgivelse ( $a_H$ ): 17,0 m/s<sup>2</sup>  
Usikkerhed (K): 1,5 m/s<sup>2</sup>

**Model BTD142**

Arbejdsindstilling: Slag-stramning af fastgøringsanordninger af maskinens maks. kapacitet  
Vibrationsafgivelse ( $a_H$ ): 15,5 m/s<sup>2</sup>  
Usikkerhed (K): 1,5 m/s<sup>2</sup>

ENG901-1

- Den angivne vibrationsemissionsværdi er blevet målt i overensstemmelse med standardtestmetoden og kan anvendes til at sammenligne en maskine med en anden.
- Den angivne vibrationsemissionsværdi kan også anvendes i en preliminær eksponeringsvurdering.

**ADVARSEL:**

- Vibrationsemissionen under den faktiske anvendelse af maskinen kan være forskellig fra den erklærede emissionsværdi, afhængigt af den måde, hvorpå maskinen anvendes.
- Sørg for at identificere de sikkerhedsforskrifter til beskyttelse af operatøren, som er baseret på en vurdering af eksponering under de faktiske brugsforhold (med hensyntagen til alle dele i brugscyklen, som f.eks. de gange, hvor maskinen er slukket og når den kører i tomgang i tilgift til afbrydertiden).

**Kun for lande i Europa****EU-konformitetserklæring**

**Vi, Makita Corporation, erklærer, som den ansvarlige fabrikant, at den (de) følgende Makita maskine(r):**

Maskinens betegnelse: Akku slagskrueetrækker  
Model nr./Type: BTD130F, BTD140, BTD141, BTD142  
er af serieproduktion og

**opfylder betingelserne i de følgende EU-direktiver:**  
2006/42/EC

og er fremstillet i overensstemmelse med de følgende standarder eller standardiserede dokumenter:  
EN60745

Den tekniske dokumentation opbevares af vores autoriserede repræsentant i Europa, som er:

Makita International Europe Ltd.  
Michigan Drive, Tongwell,  
Milton Keynes, MK15 8JD, England

30. 1. 2009



Tomoyasu Kato  
Direktør

Makita Corporation  
3-11-8, Sumiyoshi-cho,  
Anjo, Aichi, JAPAN

**Περιγραφή γενικής άποψης**

1 Κόκκινο κομμάτι	10 Γάντζος	19 Οπίσθιο κάλυμμα
2 Κουμπί	11 Βίδα	20 Βίδες
3 Κασέτα μπαταρίας	12 Αυλάκωση	21 Ελατήριο
4 Σκανδάλη διακόπτης	13 Κανονικό μπουλόνι	22 Βραχίονας
5 Λαμπάκι	14 Ροπή στερέωσης	23 Κόιλο τμήμα
6 Μοχλός διακόπτη αντιστροφής	15 Σωστή ροπή στερέωσης	24 Καπάκι των ψηκτρών άνθρακα
7 Μύτη	16 Χρόνος στερέωσης	25 Τρύπα
8 Τσόκ	17 Μπουλόνι υψηλού εφελκυσμού	
9 Τεμάχιο-μύτης	18 Σημάδι ορίου	

**ΤΕΧΝΙΚΑ ΧΑΡΑΚΤΗΡΙΣΤΙΚΑ**

Μοντέλο		BTD130F	BTD140	BTD141	BTD142
Ικανότητες	Μηχανική βίδα	4 χιλ – 8 χιλ			
	Κανονικό μπουλόνι	5 χιλ – 14 χιλ			
	Μπουλόνι υψηλού εφελκυσμού	5 χιλ – 12 χιλ			
Ταχύτητα χωρίς φορτίο (min <sup>-1</sup> )		0 – 2 400	0 – 2 300		
Κτύποι ανά λεπτό		0 – 3 200			
Ολικό μήκος		146 χιλ		145 χιλ	146 χιλ
Βάρος καθαρό		1,4 Χγρ	1,3 Χγρ		
Καθορισμένο βολτάζ		D.C. 14,4 V		D.C. 18 V	

- Λόγω του συνεχιζόμενου προγράμματος έρευνας και ανάπτυξης, οι παρούσες προδιαγραφές υπόκεινται σε αλλαγή χωρίς προειδοποίηση.
- Τα τεχνικά χαρακτηριστικά και η κασέτα μπαταρίας μπορεί να διαφέρουν από χώρα σε χώρα.
- Βάρος, με κασέτα μπαταρίας, σύμφωνα με τη διαδικασία EPTA 01/2003

ENE033-1

**Προοριζόμενη χρήση**

Το μηχάνημα προορίζεται για βιδώματα σε ξύλα, μέταλλα και πλαστικά.

GEA010-1

**Γενικές προειδοποιήσεις ασφαλείας για το ηλεκτρικό εργαλείο**

**⚠ ΠΡΟΕΙΔΟΠΟΙΗΣΗ** Διαβάστε όλες τις προειδοποιήσεις ασφαλείας και όλες τις οδηγίες. Η μη τήρηση των προειδοποιήσεων και οδηγιών ενδέχεται να καταλήξει σε ηλεκτροπληξία, πυρκαγιά ή/και σοβαρό τραυματισμό.

Φυλάξτε όλες τις προειδοποιήσεις και τις οδηγίες για μελλοντική παραπομπή.

GEB054-1

**ΠΡΟΕΙΔΟΠΟΙΗΣΕΙΣ ΑΣΦΑΛΕΙΑΣ ΓΙΑ ΑΣΥΡΜΑΤΟ ΚΡΟΥΣΤΙΚΟ ΒΙΔΟΤΡΥΠΑΝΟ**

1. Να κρατάτε το ηλεκτρικό εργαλείο από τις λαβές με μόνωση όταν εκτελείτε εργασίες κατά τις οποίες ο σύνδεσμος μπορεί να έρθει σε επαφή με κρυμμένα καλώδια. Αν ο σύνδεσμος έρθει σε επαφή με κάποιο ηλεκτροφόρο καλώδιο, μπορεί τα εκτεθειμένα μεταλλικά μέρη του ηλεκτρικού εργαλείου να γίνουν κι αυτά ηλεκτροφόρα και να προκληθεί ηλεκτροπληξία στο χειριστή.

2. Πάντοτε βεβαιώνεστε ότι έχετε σταθερή βάση. Βεβαιώνεστε ότι κανείς δεν είναι από κάτω όταν χρησιμοποιείτε το μηχάνημα σε υψηλά μέρη.
3. Κρατάτε το μηχάνημα σταθερά.
4. Φοράτε ωτασπίδες.

**ΦΥΛΑΞΕΤΕ ΑΥΤΕΣ ΤΙΣ ΟΔΗΓΙΕΣ.**

**ΠΡΟΕΙΔΟΠΟΙΗΣΗ:**

ΜΗΝ επιτρέψετε το βαθμό άνεσης ή εξοικείωσης με το προϊόν (λόγω επανειλημμένης χρήσης) να αντικαταστήσει την αυστηρή τήρηση των κανόνων ασφαλείας του παρόντος εργαλείου.

**ΚΑΚΗ ΧΡΗΣΗ** ή αμέλεια να ακολουθήσετε τους κανόνες ασφαλείας που διατυπώνονται σ'αυτό το εγχειρίδιο οδηγιών μπορεί να προκαλέσει σοβαρό προσωπικό τραυματισμό.

ENC007-5

**ΣΗΜΑΝΤΙΚΕΣ ΟΔΗΓΙΕΣ ΑΣΦΑΛΕΙΑΣ**

**ΓΙΑ ΚΑΣΕΤΑ ΜΠΑΤΑΡΙΑΣ**

1. Πριν χρησιμοποιήσετε την κασέτα μπαταρίας, διαβάστε όλες τις οδηγίες και σημειώσεις προφύλαξης (1) στον φορτιστή μπαταρίας, (2) στην μπαταρία και (3) στο προϊόν που χρησιμοποιεί την μπαταρία.
2. Μην αποσυναρμολογήσετε την κασέτα μπαταρίας.
3. Εάν ο χρόνος λειτουργίας έχει γίνει υπερβολικά βραχύς, σταματήστε την λειτουργία αμέσως. Αλλιώς, μπορεί να έχει ως αποτέλεσμα κίνδυνο υπερθέρμανσης, πιθανά εγκαύματα ή ακόμη και έκρηξη.

4. Εάν ηλεκτρολύτης μπει στα μάτια σας, ξεπλύνετε τα με καθαρό νερό και ζητήστε ιατρική φροντίδα αμέσως. Αλλοιώς, μπορεί να έχει ως αποτέλεσμα απώλεια της όρασης σας.
5. Μη βραχυκυκλώνετε την κασέτα μπαταρίας:
  - (1) Μην αγγίζετε τους πόλους με κάποιο αγώγιμο υλικό.
  - (2) Αποφεύγετε να αποθηκεύετε την κασέτα μπαταρίας μέσα σε ένα δοχείο μαζί με άλλα μεταλλικά αντικείμενα όπως καρφιά, νομίσματα, κλπ.
  - (3) Μην εκθέτε την κασέτα μπαταρίας στο νερό ή στη βροχή.  
Ενα βραχυκύκλωμα μπαταρίας μπορεί να προκαλέσει μεγάλη ροή ρεύματος, υπερθέρμανση, πιθανά εγκαύματα ακόμη και σοβαρή βλάβη.
6. Μην αποθηκεύετε το εργαλείο και την κασέτα μπαταρίας σε τοποθεσίες όπου η θερμοκρασία μπορεί να φτάσει ή να ξεπεράσει τους 50°C.
7. Μη πετάξετε στη φωτιά την κασέτα μπαταρίας ακόμη και εάν έχει σοβαρή ζημιά ή είναι εντελώς φθαρμένη.  
Η κασέτα μπαταρίας μπορεί να εκραγεί στην φωτιά.
8. Προσέχετε να μη ρίξετε κάτω ή χτυπήσετε την μπαταρία.
9. Μην χρησιμοποιείτε μπαταρία που έχει υποστεί ζημιά

## ΦΥΛΑΞΤΕ ΤΙΣ ΟΔΗΓΙΕΣ ΑΥΤΕΣ.

### Συμβουλές για διατήρηση μέγιστης ζωής μπαταρίας

1. Φορτίζετε την κασέτα μπαταρίας πριν από την πλήρη αποφόρτιση της.  
Πάντοτε σταματάτε την λειτουργία του εργαλείου και φορτίζετε την κασέτα μπαταρίας όταν παρατηρείτε μειωμένη ισχύ του εργαλείου.
2. Ποτέ μην επαναφορτίζετε μία πλήρως φορτισμένη κασέτα μπαταρίας. Υπερφόρτιση μειώνει την ωφέλιμη ζωή της μπαταρίας.
3. Φορτίζετε την κασέτα μπαταρίας σε θερμοκρασία δωματίου 10°C – 40°C. Αφήστε μία θερμή κασέτα μπαταρίας να κρυώσει πριν την φορτίσετε.

## ΠΕΡΙΓΡΑΦΗ ΛΕΙΤΟΥΡΓΙΑΣ

### ΠΡΟΣΟΧΗ:

- Πάντοτε βεβαιώνετε ότι το εργαλείο είναι σβηστό και η κασέτα μπαταρίας έχει αφαιρεθεί πριν ρυθμίσετε ή ελέγξετε κάποια λειτουργία στο εργαλείο.

### Τοποθέτηση ή αφαίρεση της κασέτας μπαταρίας (Εικ. 1)

- Πάντοτε σβήνετε το εργαλείο πριν βάλετε ή βγάλετε την κασέτα μπαταρίας.
- Για να αφαιρέσετε την κασέτα μπαταρίας, βγάλτε την από το εργαλείο ενώ σύρετε το κουμπί στο εμπρόσθιο μέρος της κασέτας.

- Για να τοποθετήσετε την κασέτα μπαταρίας, ευθυγραμμίστε την γλώσσα στην κασέτα μπαταρίας με την αυλακία στην υποδοχή και τοποθετήστε την. Πάντοτε να την βάζετε πλήρως μέχρι να κλειδώσει, γεγονός που υποδηλώνεται με ένα χαρακτηριστικό ήχο. Εάν μπορείτε να δείτε το κόκκινο κομμάτι στην επάνω πλευρά του πλήκτρου, δεν έχει κλειδώσει ολοκληρωτικά. Βάλτε την πλήρως έτσι ώστε να μην φαίνεται. Σε αντίθετη περίπτωση, ίσως πέσει κατά λάθος από το μηχανήμα, τραυματίζοντας εσάς ή κάποιον τριγύρω σας.
- Μη χρησιμοποιείτε δύναμη όταν εισάγετε την κασέτα μπαταρίας. Εάν η κασέτα δεν γλιστράει μέσα εύκολα, δεν εισάγεται με τον σωστό τρόπο.

### Δράση διακόπτη (Εικ. 2)

#### ΠΡΟΣΟΧΗ:

- Πριν βάλετε την κασέτα μπαταρίας μέσα στο εργαλείο, πάντοτε ελέγχετε να δείτε ότι η σκανδάλη διακόπτης ενεργοποιείται κανονικά και επιστρέφει στην θέση "OFF" όταν ελευθερώνεται.

Για να ξεκινήσετε το εργαλείο, απλώς τραβήχτε την σκανδάλη διακόπτη. Η ταχύτητα του εργαλείου αυξάνει αυξάνοντας την πίεση στην σκανδάλη διακόπτη. Ελευθερώστε την σκανδάλη διακόπτη για να σταματήσει.

### Για να ανάψετε το εμπρόσθιο λαμπάκι (Εικ. 3)

#### ΠΡΟΣΟΧΗ:

- Μη κυττάξετε το φως ή βλέπετε την πηγή φωτός απευθείας.

Τραβήχτε την σκανδάλη διακόπτη για να ανάψετε το λαμπάκι. Το λαμπάκι συνεχίζει να είναι αναμμένο όσο η σκανδάλη διακόπτης είναι τραβηγμένη. Το φως σβήνει αυτόματα 10–15 δευτερόλεπτα αφού η σκανδάλη διακόπτης ελευθερωθεί.

#### ΣΗΜΕΙΩΣΗ:

- Χρησιμοποιήστε ένα στεγνό ύφασμα για να σφουγγίσετε τους ρύπους από τους φακούς του λαμπακιού. Προσέχετε να μη γρατσούνισετε τους φακούς του, διαφορετικά θα μειωθεί ο φωτισμός.

### Δράση διακόπτη αντιστροφής (Εικ. 4)

Αυτό το εργαλείο έχει έναν διακόπτη αντιστροφής για να αλλάξει την διεύθυνση περιστροφής. Πιέστε τον μοχλό διακόπτη αντιστροφής από την πλευρά Α για δεξιόστροφη περιστροφή ή από την πλευρά Β για αριστερόστροφη περιστροφή.

Όταν ο μοχλός διακόπτη αντιστροφής είναι στην ουδέτερη θέση, η σκανδάλη διακόπτης δεν μπορεί να τραβηχθεί.

#### ΠΡΟΣΟΧΗ:

- Πάντοτε ελέγχετε την διεύθυνση περιστροφής πριν από την λειτουργία.
- Χρησιμοποιείτε τον διακόπτη αντιστροφής μόνο αφού το εργαλείο σταματήσει εντελώς. Αλλαγή της διεύθυνσης περιστροφής πριν το εργαλείο σταματήσει μπορεί να κάνει ζημιά στο εργαλείο.
- Όταν δεν λειτουργείτε το εργαλείο, πάντοτε βάζετε τον μοχλό διακόπτη αντιστροφής στην ουδέτερη θέση.

## ΣΥΝΑΡΜΟΛΟΓΗΣΗ

### ΠΡΟΣΟΧΗ:

- Πάντοτε βεβαιώνετε ότι το εργαλείο είναι σβηστό και η κασέτα μπαταρίας έχει αφαιρεθεί πριν εκτελέσετε κάποια εργασία στο εργαλείο.

### Τοποθέτηση ή αφαίρεση της μύτης βιδώματος ή της προέκτασης μύτης

Να χρησιμοποιείτε μόνον αιχμές που έχουν το τμήμα εισαγωγής που υποδεικνύεται στην εικόνα. (Εικ. 5)

#### Για εργαλείο με ρηχή οπή μύτης

A = 12 χιλ B = 9 χιλ	Χρησιμοποιείτε μόνο αυτόν τον τύπο μύτης. Ακολουθείστε την διαδικασία (1) . (Σημείωση) Τεμάχιο-αιχμής δεν είναι απαραίτητο.
-------------------------	---

#### Για εργαλείο με βαθιά οπή μύτης

A = 17 χιλ B = 14 χιλ	Για να τοποθετήσετε αυτούς τους τύπους των μητών, ακολουθήστε την διαδικασία (1).
A = 12 χιλ B = 9 χιλ	Για να τοποθετήσετε αυτούς τους τύπους των μητών, ακολουθήστε την διαδικασία (2). (Σημείωση) Τεμάχιο-μύτης είναι απαραίτητο για τοποθέτηση της μύτης.

1. Για τα μοντέλα BTD130F, BTD140, BTD142  
Για να τοποθετήσετε την μύτη, τραβήξτε το τσόκ προς την διεύθυνση του βέλους και βάλτε την μύτη μέσα στο τσόκ όσο βαθειά μπορεί να πάει. Μετά ελευθερώστε το τσόκ για να ασφαλίσετε την μύτη.  
Για το μοντέλο BTD141  
Για να τοποθετήσετε την μύτη, βάλτε την μέσα στο μανίκι όσο βαθειά μπορεί να πάει. (Εικ. 6)
2. Για να τοποθετήσετε την μύτη, τραβήχτε το μανίκι προς την διεύθυνση του βέλους και βάλτε το τεμάχιο μύτης και την αιχμή μέσα στο μανίκι όσο βαθειά μπορούν να πάνε. Το τεμάχιο-μύτης πρέπει να εισαχθεί μέσα στο μανίκι με το μυτερό άκρο προς τα μέσα. Μετά ελευθερώστε το μανίκι για να ασφαλίσετε την μύτη. (Εικ. 7)

Για να αφαιρέσετε την μύτη, τραβήξτε το τσόκ προς την διεύθυνση του βέλους και τραβήξτε το τσόκ σταθερά προς τα έξω.

### ΣΗΜΕΙΩΣΗ:

- Εάν η μύτη δεν έχει εισαχθεί αρκετά βαθειά μέσα στο τσόκ, το μανίκι δεν θα επιστρέψει στην αρχική του θέση και η μύτη δεν θα ασφαλιστεί. Στην περίπτωση αυτή, προσπαθήστε να επανεισάγετε την αιχμή σύμφωνα με τις παραπάνω οδηγίες.
- Όταν είναι δύσκολο να βάλετε την μύτη, τραβήξτε το τσόκ και βάλτε την μύτη στο τσόκ όσο βαθειά μπορεί να πάει.
- Αφού βάλετε την μύτη, βεβαιωθείτε ότι είναι σταθερά ασφαλισμένη. Αν όμως βγει έξω, μη την χρησιμοποιήσετε.

### Γάντζος (Εικ. 8)

Ο γάντζος είναι βολικός για προσωρινό κρέμασμα του εργαλείου. Μπορεί να τοποθετηθεί σε οποιαδήποτε πλευρά του εργαλείου.

Για να τοποθετήσετε τον γάντζο, βάλτε τον σε μία αυλάκωση στο περίβλημα του εργαλείου σε οποιαδήποτε πλευρά και μετά ασφαλίστε τον με μία βίδα. Για να τον αφαιρέσετε, χαλαρώστε την βίδα και μετά αφαιρέστε τον.

### ΛΕΙΤΟΥΡΓΙΑ

Η κατάλληλη ροπή στερέωσης μπορεί να διαφέρει εξαρτημένη από το είδος ή μέγεθος της βίδας/μπουλουνιού, το υλικό του αντικειμένου εργασίας προς στερέωση, κλπ. Η σχέση μεταξύ ροπής στερέωσης και χρόνου στερέωσης φαίνεται στις εικόνες. (Εικ. 9, 10 και 11)

Κρατήστε το εργαλείο σταθερά και βάλτε την άκρη της μύτης βιδώματος στην κεφαλή της βίδας. Εφαρμόστε πίεση προς τα εμπρός στο εργαλείο έτσι ώστε η μύτη να μη ξεφύγει από την βίδα και ανάψτε το εργαλείο για να αρχίσει η εργασία.

### ΣΗΜΕΙΩΣΗ:

- Χρησιμοποιείτε την κατάλληλη μύτη για την κεφαλή βίδας/μπουλουνιού που επιθυμείτε να χρησιμοποιήσετε.
- Όταν στερεώνετε μία M8 βίδα ή μικρότερη, προσεκτικά ρυθμίστε την πίεση στην σκανδάλη διακόπτη έτσι ώστε η σκανδάλη να μη πάθει ζημιά.
- Κρατάτε το εργαλείο διευθυνόμενο ίσια προς την βίδα.
- Εάν σφίξετε την βίδα για μακρότερο χρονικό διάστημα από αυτό στις εικόνες, η βίδα ή το σημείο μύτης βιδώματος μπορεί να υποστεί υπέρταση, αποφλοώση, ζημιά, κλπ. Πριν αρχίσετε την εργασία σας, πάντοτε εκτελείτε μία δοκιμαστική λειτουργία για να καθορίσετε τον κατάλληλο χρόνο στερέωσης για την βίδα σας.

Η ροπή στερέωσης επηρεάζεται από μία μεγάλη ποικιλία παραγόντων που περιλαμβάνουν και τα ακόλουθα. Μετά την στερέωση, πάντοτε ελέγχετε την ροπή με ένα ροπόκλειδο.

1. Όταν η κασέτα μπαταρίας έχει εκφορτιστεί σχεδόν εντελώς, η τάση θα πέσει και η ροπή στερέωσης θα μειωθεί.
2. Μύτη βιδώματος ή προέκταση μύτης  
Εάν αμελήσετε να χρησιμοποιήσετε το σωστό μέγεθος μύτης βιδώματος ή προέκτασης μύτης θα προκαλέσει μία μείωση στην ροπή στερέωσης.
3. Μπουλόνι
  - Ακόμη και αν ο συντελεστής ροπής και η κατηγορία μπουλονιού είναι τα ίδια, η κατάλληλη ροπή στερέωσης θα διαφέρει σύμφωνα με την διάμετρο του μπουλονιού.
  - Ακόμη και αν οι διάμετροι των μπουλονιών είναι οι ίδιες, η κατάλληλη ροπή στερέωσης θα διαφέρει σύμφωνα με τον συντελεστή ροπής, την κατηγορία του μπουλονιού και το μήκος του μπουλονιού.
4. Ο τρόπος κρατήματος του εργαλείου ή το υλικό της προς στερέωση θέσης βιδώματος θα επηρεάσει την ροπή.
5. Η λειτουργία του εργαλείου σε χαμηλή ταχύτητα θα προκαλέσει μείωση της ροπής στερέωσης.

**ΠΡΟΣΟΧΗ:**

- Πάντοτε βεβαιώνετε ότι το εργαλείο είναι σβηστό και η κασέτα μπαταρίας έχει αφαιρεθεί πριν επιχειρήσετε να κάνετε έλεγχο ή συντήρηση.
- Μην χρησιμοποιείτε ποτέ βενζίνη, πετρελαϊκό αιθέρα, διαλυτικό, αλκοόλη ή παρόμοιες ουσίες. Ενδέχεται να προκληθεί αποχρωματισμός παραμόρφωση ή ρωγμές.

**Αντικατάσταση ψηκτρών άνθρακα**

Αντικαθιστάτε τις όταν φθαρούν μέχρι το σημάδι ορίου. Κρατάτε τις ψήκτρες άνθρακα καθαρές και ελεύθερες να γλιστρούν στις θήκες. Και οι δύο ψήκτρες άνθρακα πρέπει να αντικαθίστανται ταυτόχρονα. Χρησιμοποιείτε μόνο ταυτόσημες ψήκτρες άνθρακα. **(Εικ. 12)**

Χρησιμοποιείτε ένα κατσαβίδι για να αφαιρέσετε δύο βίδες και μετά αφαιρέστε το πίσω κάλυμμα. **(Εικ. 13)**

Σηκώστε το τμήμα βραχίονα του ελατηρίου και μετά τοποθετήστε το στο κοίλο τμήμα του περιβλήματος με ένα κατσαβίδι κανονικής μύτης με λεπτό άξονα ή κάτι παρόμοιο. **(Εικ. 14)**

Χρησιμοποιήστε τανάλια για να αφαιρέσετε το καπάκι των ψηκτρών άνθρακα. Βγάλτε τις φθαρμένες ψήκτρες άνθρακα, τοποθετήστε τις καινούργιες και τοποθετήστε ξανά το καπάκι των ψηκτρών άνθρακα. **(Εικ. 15)**

Βεβαιωθείτε ότι το καπάκι ψηκτρών άνθρακα εφαρμόζει στις οπές στις θήκες ψηκτρών άνθρακα με ασφάλεια. **(Εικ. 16)**

Ξαναβάλτε το πίσω κάλυμμα και στερεώστε τις δύο βίδες με ασφάλεια.

Για την διατήρηση της ΑΣΦΑΛΕΙΑΣ και ΑΞΙΟΠΙΣΤΙΑΣ του προϊόντος, επισκευές, οποιαδήποτε άλλη συντήρηση ή ρύθμιση πρέπει να εκτελούνται από τα Εξουσιοδοτημένα Κέντρα Εξυπηρέτησης της Μάκιτα, με χρήση πάντοτε ανταλλακτικών Μάκιτα.

**ΑΝΤΑΛΛΑΚΤΙΚΑ****ΠΡΟΣΟΧΗ:**

Αυτά τα ανταλλακτικά ή προσαρτήματα συνιστώνται για χρήση με το εργαλείο σας της Μάκιτα που περιγράφεται στο εγχειρίδιο αυτό. Η χρήση στιδήσων άλλων ανταλλακτικών ή προσαρτημάτων μπορεί να παρουσιάσουν κίνδυνο τραυματισμού σε άτομα.

Εάν χρειάζεστε βοήθεια ή περισσότερες λεπτομέρειες σε σχέση με αυτά τα ανταλλακτικά, ρωτήστε το τοπικό σας κέντρο εξυπηρέτησης της Μάκιτα.

- Αιχμές βιδώματος
- Γάντζος
- Πλαστική θήκη μεταφράς
- Διάφοροι τύποι αυθεντικών μπαταριών και φορτιστών Μάκιτα.
- Τεμάχιο-αιχμής

**Θόρυβος**

Το τυπικό Α επίπεδο μετρημένου θορύβου καθορίζεται σύμφωνα με το EN60745:

**Μοντέλο BTD130F, BTD140, BTD141**

Στάθμη πίεσης ήχου ( $L_{pA}$ ): 90 dB (A)  
Στάθμη δύναμης ήχου ( $L_{WA}$ ): 101 dB (A)  
Αβεβαιότητα (K): 3 dB (A)

**Μοντέλο BTD142**

Στάθμη πίεσης ήχου ( $L_{pA}$ ): 89 dB (A)  
Στάθμη δύναμης ήχου ( $L_{WA}$ ): 100 dB (A)  
Αβεβαιότητα (K): 3 dB (A)

**Φοράτε ωτοασπίδες**

ENG900-1

**Κραδασμός**

Η ολική τιμή δόνησης (άθροισμα τρι-αξονικού διανύσματος) καθορίζεται σύμφωνα με το EN60745:

**Μοντέλο BTD130F**

Είδος εργασίας: Κρουστικό σφίξιμο  
μπουλονιών με μέγιστη ικανότητα εργαλείου  
Εκπομπή δόνησης ( $a_h$ ): 14,0 m/s<sup>2</sup>  
Αβεβαιότητα (K): 1,5 m/s<sup>2</sup>

**Μοντέλο BTD140, BTD141**

Είδος εργασίας: Κρουστικό σφίξιμο  
μπουλονιών με μέγιστη ικανότητα εργαλείου  
Εκπομπή δόνησης ( $a_h$ ): 17,0 m/s<sup>2</sup>  
Αβεβαιότητα (K): 1,5 m/s<sup>2</sup>

**Μοντέλο BTD142**

Είδος εργασίας: Κρουστικό σφίξιμο  
μπουλονιών με μέγιστη ικανότητα εργαλείου  
Εκπομπή δόνησης ( $a_h$ ): 15,5 m/s<sup>2</sup>  
Αβεβαιότητα (K): 1,5 m/s<sup>2</sup>

ENG901-1

- Η δηλωμένη τιμή εκπομπής κραδασμών έχει μετρηθεί σύμφωνα με την πρότυπη μέθοδο δοκιμής και μπορεί να χρησιμοποιηθεί για τη σύγκριση ενός εργαλείου με άλλο.
- Η δηλωμένη τιμή εκπομπής κραδασμών μπορεί να χρησιμοποιηθεί και στην προκαταρκτική αξιολόγηση έκθεσης.

**ΠΡΟΕΙΔΟΠΟΙΗΣΗ:**

- Η εκπομπή κραδασμών κατά τη χρήση του ηλεκτρικού εργαλείου σε πραγματικές συνθήκες μπορεί να διαφέρει από τη δηλωμένη τιμή εκπομπής ανάλογα με τον τρόπο χρήσης του εργαλείου.
- Φροντίστε να λάβετε τα κατάλληλα μέτρα προστασίας του χειριστή βάσει υπολογισμού της έκθεσης σε πραγματικές συνθήκες χρήσης (λαμβάνοντας υπόψη όλες τις συνιστώσες του κύκλου λειτουργίας όπως τους χρόνους που το εργαλείο είναι εκτός λειτουργίας και όταν βρίσκεται σε αδρανή λειτουργία πέραν του χρόνου ενεργοποίησης).



**Μόνο για χώρες της Ευρώπης**

**Δήλωση Συμμόρφωσης ΕΚ**

**Η Makita Corporation, ως ο υπεύθυνος κατασκευαστής, δηλώνει ότι το/τα ακόλουθο(α) μηχάνημα(τα) της Makita:**

Χαρακτηρισμός μηχανήματος: Ασύρματό κρουστικό βιδοτρύπανο

Αρ. μοντέλου/ Τύπος: BTD130F, BTD140, BTD141, BTD142

είναι εν σειρά παραγωγή και

**συμμορφώνονται με τις ακόλουθες Ευρωπαϊκές Οδηγίες:**

2006/42/ΕΚ

και κατασκευάζονται σύμφωνα με τα ακόλουθα πρότυπα ή έγγραφα τυποποίησης:

EN60745

Η τεχνική τεκμηρίωση φυλάσσεται από τον εξουσιοδοτημένο εκπρόσωπό μας στην Ευρώπη, δηλαδή τη

Makita International Europe Ltd.

Michigan Drive, Tongwell,

Milton Keynes, MK15 8JD, England (Αγγλία)

30. 1. 2009



Tomoyasu Kato  
Διευθυντής

Makita Corporation  
3-11-8, Sumiyoshi-cho,  
Anjo, Aichi, JAPAN





**Makita Corporation**  
Anjo, Aichi, Japan

884617G992

[www.makita.com](http://www.makita.com)

IDE