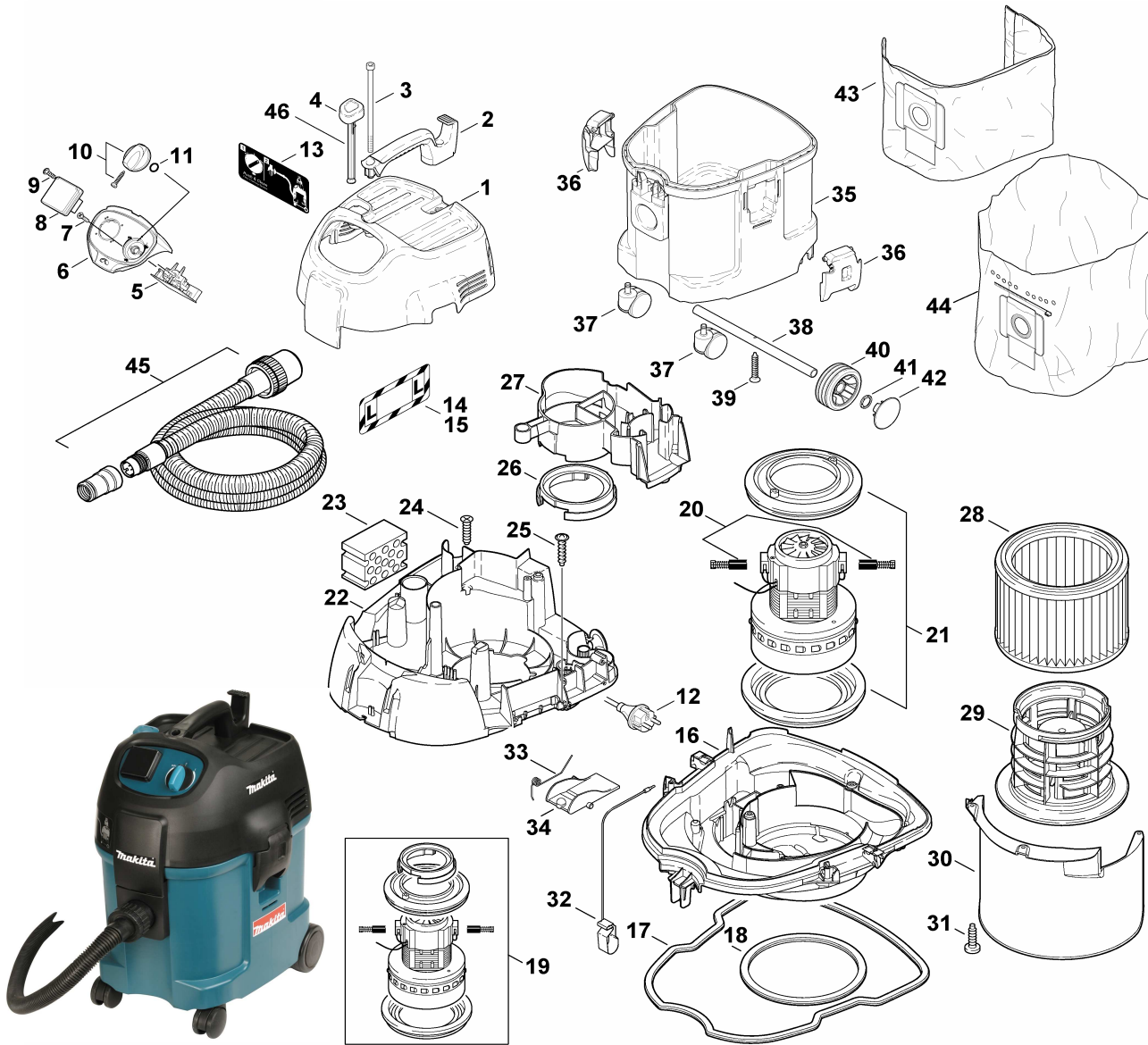


Modell 446L "EU"
Vacuum Cleaner Dustclass 'L'



Pos.	*PG	Order nr.	Description
001	37	W302001397	Shroud MAKITA 446L subassembly
002	21	W302000471	Handle
003	11	W909100084	Screw M6 x140 ISO 4762
004	12	W302001372	Button dedusting of filters
005	60	W302000628	Electronic w speed
006	61	W302001329	Switch case
007	3	W18274	Screw countersunk M4x 12 H ISO 7046 zn
008	32	W302000151	Socket 2-p.+PE 16A/250V -DE
009	3	W11256	Screw KA35x18 WN1411
010	12	W909100222	Turning knob No 1 ø6x5
011	8	W9868	O-Ring 10,0 x 2,5 DIN 3770 NBR70
012	40	W302000559	Power cord H07RN-F 3G1,5x8,2 CEE -EU
013	18	W302001325	Label dedusting of filters
014	18	W302000230	Label "Warnung 'L' "130x60 *DE"
015	27	W302000231	Label "Sprachensatz L" 194x260 18-Spr
016	39	W302000346	Supporting plat ATTIX 3 PP GF15
017	20	W302000459	Gasket for container
018	18	W302000460	Gasket for filter
019	75	W49594	Motor 220v was 30756(SQ 450,55
020	37	W49625	Carbon brushes "C"
021	40	W42538	Motor bearing
022	28	W302000350	Clamping plate PP
023	14	W302000600	Diffusor 82.4x63.5x45
024	3	W11253	Screw KA50x20 WN1413
025	3	W11256	Screw KA35x18 WN1411
026	24	W47036	Rubber ring
027	19	W302000348	Air conduction PP
028	41	W302000490	Filter element PETø185x140 L+M
029	22	W302000472	Filter support cage ATTIX PP
030	21	W302000341	Deflector 260x150x212
031	7	W11565	Screw KB50x18 WN1411
032	22	W61174	Earthing cable
033	5	W909100083	Torsion spring ø0,9x18x45 INOX
034	13	W302000344	Flap 79x53x25 ATTIX 3
035	52	W302001308	Container MAKITA 446L subassembly
036	15	W302000349	Locking clamp
037	23	W46298	Caster ø60
038	20	W302000464	Wheel/axle ø20x1,5x345
039	2	W909100085	Screw KA50x35 WN1413
040	14	W302000465	Wheel ø100x20
041	9	W47302	Clamping ring
042	11	W25710	hub cap ø75 neutral jet black PP
043	Z	W302000565	Filter bag "Makita 446L" Set 5
044	Z	W302001310	Removal sack Makita 446L set-5
045	Z	W15325	Suction hose ø27x3500 kpl. antistatic
046	13	W302000343	Rod 194x23x23