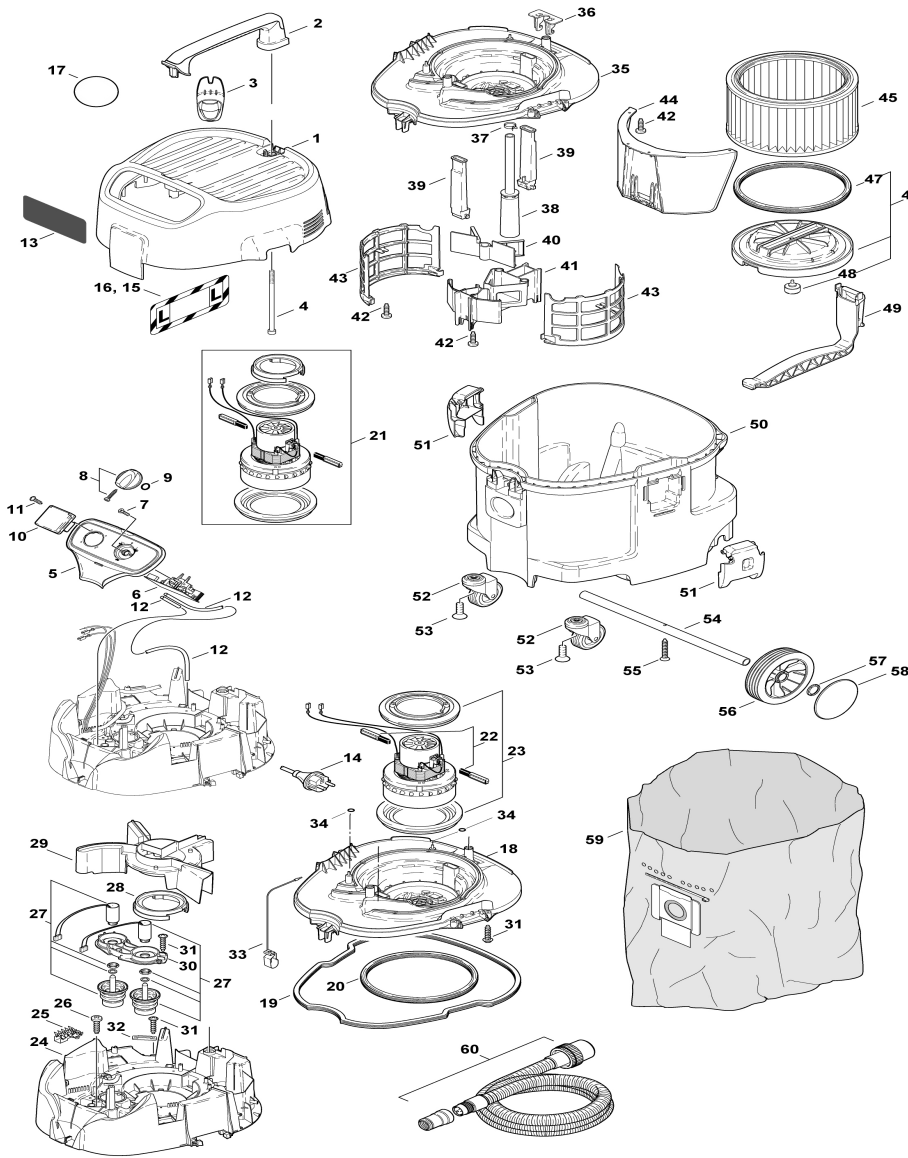


# Modell 447L "EU" Vacuum Cleaner Dustclass 'L'



Pos.	*PG	Order nr.	Description	Pos.	*PG	Order nr.	Description
001	47	W302001398	Shroud MAKITA 447L	051	15	W302000349	Locking clamp
002	24	W302000638		052	20	W302000682	Caster ø75x100
003	16	W302000380	Cable clip	053	3	W909100164	Countersunk screw
004	11	W909100084	Screw M6 x140 ISO 4762	054	20	W302000636	Axis ø20x1,5x440
005	33	W302001330	Switch case	055	2	W909100085	Screw KA50x35 WN1413
006	66	W302000853	electronics 230V set	056	19	W302000639	Wheel ø150x20 black
007	3	W18274	Screw countersunk M4x 12 H IS	057	9	W47302	Clamping ring
008	12	W909100222	Turning knob No 1 ø6x5	058	6	W302001322	Hub cap ø115
009	8	W9868	O-Ring 10,0 x 2,5 DIN 3770 NE	059	2	W302001311	Removal sack set-5
010	32	W302000151	Socket 2-p.+PE 16A/250V -DE	060	2	W15325	Suction hose ø27x3500 kpl. antistatic
011	3	W11256	Screw KA35x18 WN1411				
012	14	W11379	Hose				
013	12	W302000955	Label				
014	40	W302000559	Power cord H07RN-F 3G1,5x8,2 CEE -EU				
015	18	W302000230	Label "Warnung L" "130x60 *DE"				
016	27	W302000231	Label "Sprachensatz L" 194x260 18-Spr				
017	2	W60995	Label				
018	45	W302000511	Supporting plate PP				
019	20	W302000637	Gasket for container				
020	19	W302000697	Seal				
021	75	W49594	Motor 220v was 30756(SQ 450,55				
022	37	W49625	Carbon brushes "C"				
023	40	W42538	Motor bearing				
024	36	W302000381	Plate chuck PP				
025	3	W302000755	Terminal strip (6) FH6,3x0,8 16A				
026	2	W909100138	Screw 5,0x20 H MP 1912				
027	59	W302000010	Electromagnet 24V				
028	24	W47036	Rubber ring				
029	20	W302000373	Air conduction PP				
030	20	W302000388	Frame 190x90x18 PP				
031	3	W11256	Screw KA35x18 WN1411				
032	7	W5697	PULL RELIEF STRAP				
033	22	W61174	Earthing cable				
034	3	W62359	Gasket ø 9xø 4x1 SQ8 NBR				
035	45	W302000511	Supporting plate PP				
036	14	W302000512	Fixation 72x32x52				
037	3	W909100137	Band clamp fitting				
038	29	W303000516	Hose ø40x335				
039	21	W302000514	Gasket				
040	17	W302000387	Flap 158x64x68 ABS				
041	25	W302000386	Cover 211x151x118				
042	2	W909100138	Screw 5,0x20 H MP 1912				
043	16	W302000385	Filter support cage 216x93x177				
044	24	W302000383	Deflector 318x180x212				
045	41	W302000751	Filter cartridge ø275x185 Kit-1				
046	35	W302000844	Filter tension disc				
047	19	W302000697	Seal				
048	13	W302000515	Plug ø33x37				
049	31	W302000702	Tension jack				
050	59	W302001309	Container MAKITA 447 subassembl				

