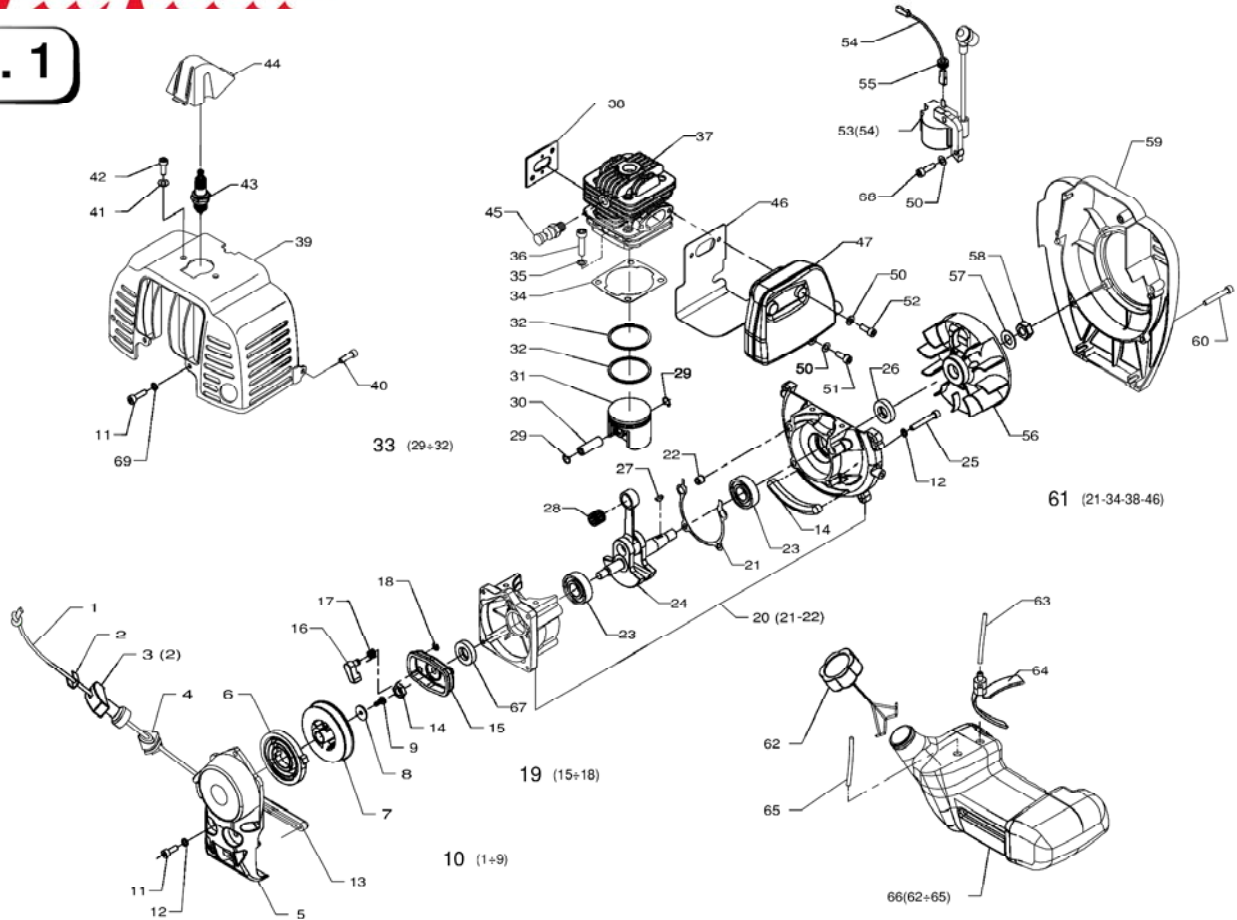


Fig. 1

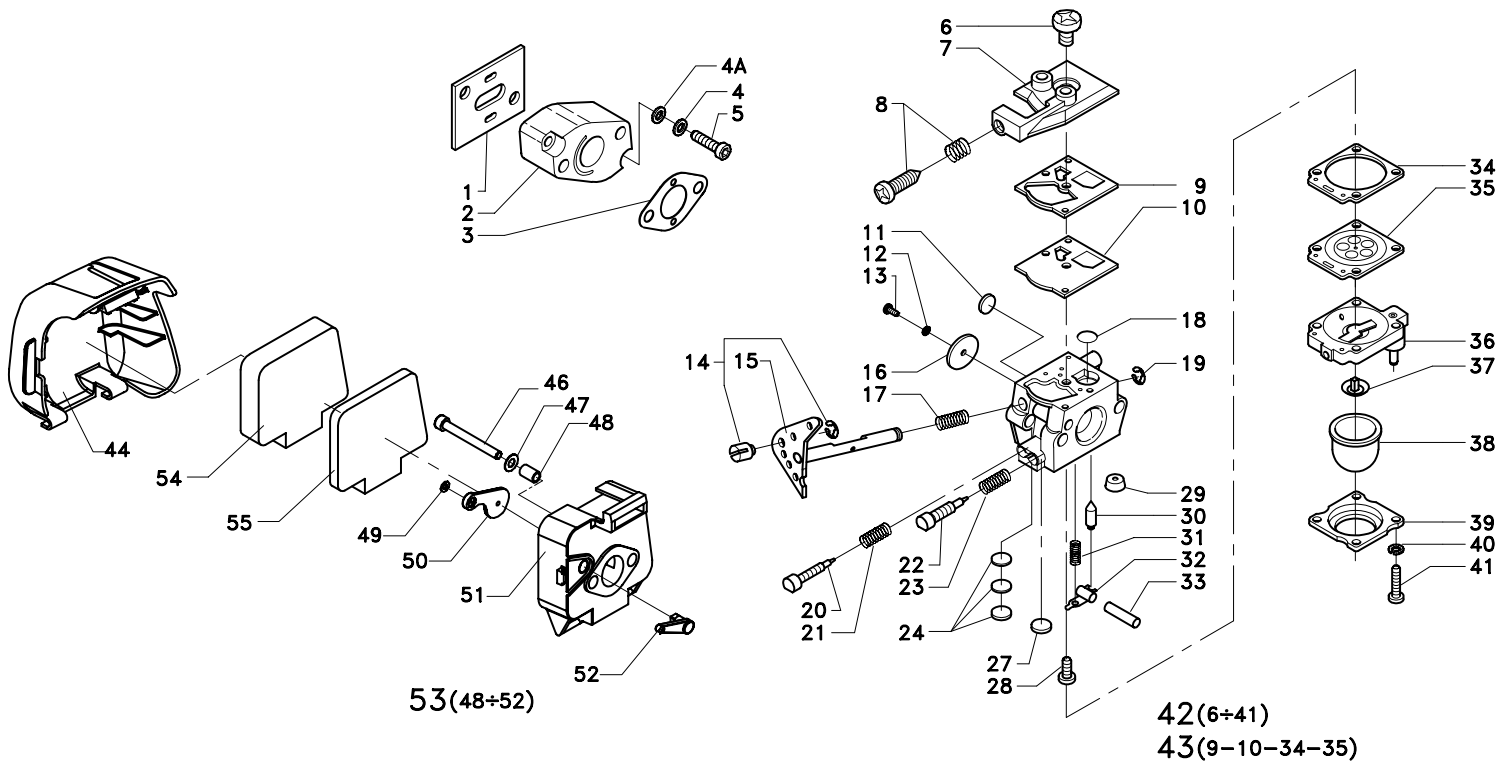


| REF. NO. | PART. NO. | QUANTITY | NOTE |
|----------|-----------|----------|------|
| | | BBA 520 | |
| 1 | 630070 | 1 | |
| 2 | 510190 | 1 | |
| 3 | 724740 | 1 | |
| 4 | 541310 | 1 | |
| 5 | 480650 | 1 | |
| 6 | 180240 | 1 | |
| 7 | 541320 | 1 | |
| 8 | 090720 | 1 | |
| 9 | 030800 | 1 | |
| 10 | 721420 | 1 | |
| 11 | 030210 | 5 | |
| 12 | 090150 | 7 | |
| 13 | 541340 | 2 | |
| 14 | 060370 | 1 | |
| 15 | 480900 | 1 | |
| 16 | 541330 | 2 | |
| 17 | 180200 | 2 | |
| 18 | 120160 | 2 | |
| 19 | 722460 | 1 | |
| 20 | 721430 | 1 | |
| 21 | 240260 | 1 | |
| 22 | 420200 | 2 | |
| 23 | 270070 | 2 | |
| 24 | 751600 | 1 | |
| 25 | 030620 | 4 | |
| 26 | 240030/A | 1 | |
| 27 | 420030 | 1 | |
| 28 | 270050 | 1 | |
| 29 | 150040 | 2 | |
| 30 | 420040 | 1 | |
| *31 | 480750 | | |
| * | 480710 | | |
| * | 480720 | 1 | |
| * | 480970 | | |
| 32 | 150270 | | |
| | 150240 | | |
| | 150250 | 2 | |
| | 150350 | | |
| *33 | 721580 | | |
| * | 721350 | | |
| * | 721360 | 1 | |
| * | 723100 | | |

| REF. NO. | PART. NO. | QUANTITY | NOTE |
|----------|-----------|----------|------|
| | | BBA 520 | |
| 34 | 240270 | 1 | |
| 35 | 090620 | 4 | |
| 36 | 030630 | 4 | |
| *37 | 480740 | | |
| * | 480630 | | |
| * | 400640 | 1 | |
| * | 480960 | | |
| 38 | 240290 | 1 | |
| 39 | 480670 | 1 | |
| 40 | 030800 | 1 | |
| 41 | 090840 | 2 | |
| 42 | 030610 | 2 | |
| 43 | 450180 | 1 | |
| 44 | 542030 | 1 | |
| 45 | 752340 | 1 | |
| 46 | 240430 | 1 | |
| 47 | 750860 | 1 | |
| 50 | 090830 | 5 | |
| 51 | 030680 | 1 | |
| 52 | 030120 | 2 | |
| 53 | 450930 | 1 | |
| 54 | 450340 | 1 | |
| 55 | 541510 | 1 | |
| 56 | 450280 | 1 | |
| 57 | 091000 | 1 | |
| 58 | 060300 | 1 | |
| 59 | 480680 | 1 | |
| 60 | 030350 | 4 | |
| 61 | 240380 | 1 | |
| 62 | 723730 | 1 | |
| 63 | 542460 | 1 | |
| 64 | 330820 | 1 | |
| 65 | 542500 | 1 | |
| 66 | 723360 | 1 | |
| 67 | 240370/A | 1 | |
| 68 | 031150 | 2 | |
| 69 | 090830 | 2 | |

Per ordinazioni di particolari con * precisare sempre la sigla di selezione A-B-C-D.
When ordering parts indicated with * always specify code letter A-B-C-D.

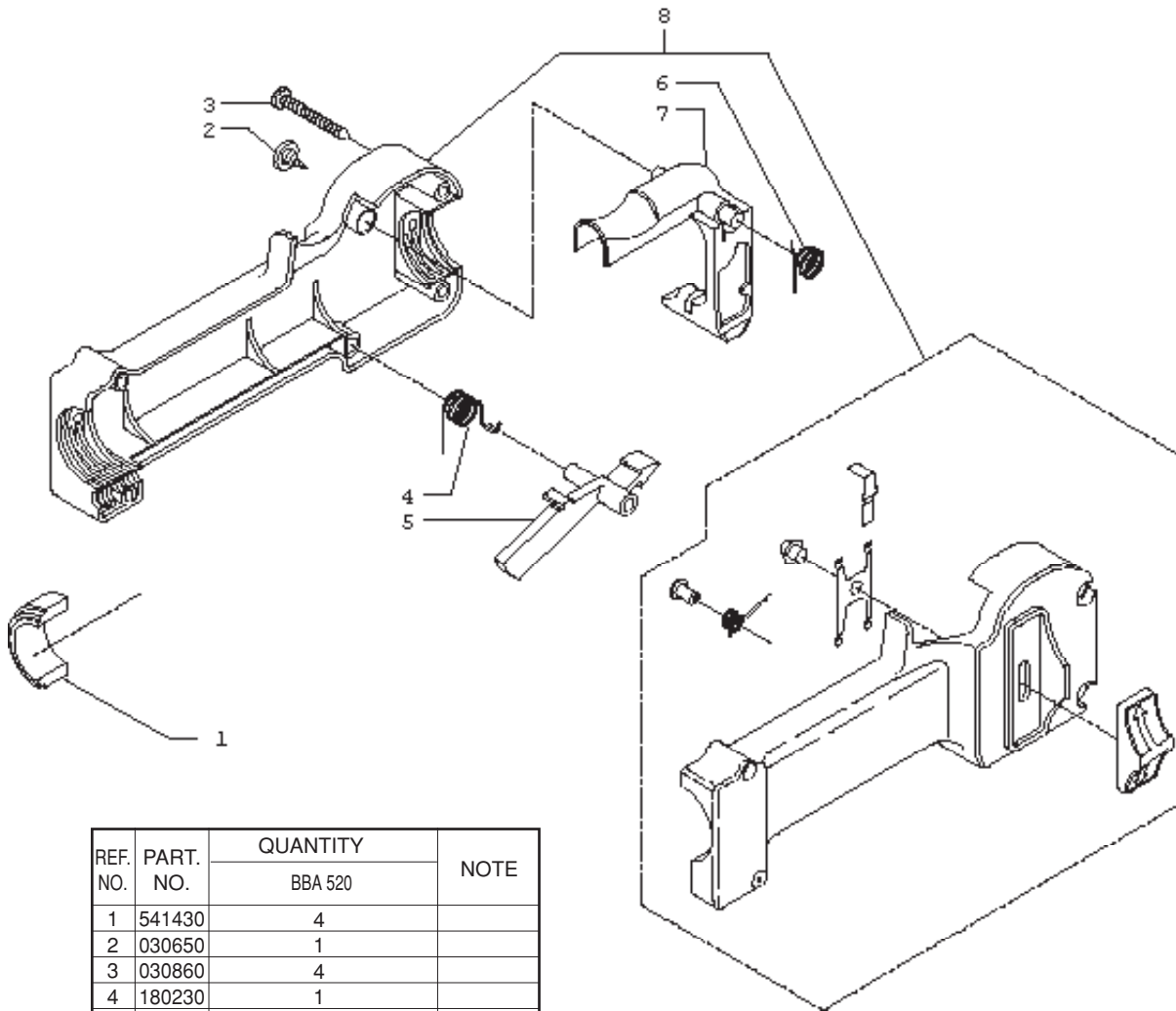
Fig. 2



| REF. NO. | PART. NO. | QUANTITY | |
|----------|-----------|----------|------|
| | | BBA 520 | Note |
| 1 | 240290 | 1 | |
| 2 | 541270 | 1 | |
| 3 | 240130 | 1 | |
| 4 | 090800 | 2 | |
| 4A | 090780 | 2 | |
| 5 | 030070 | 2 | |
| 6 | 96-166 | 1 | |
| 7 | 21-353 | 1 | |
| 8 | 96-369 | 1 | |
| 9 | 92-225 | 1 | |
| 10 | 95-118 | 1 | |
| 11 | 88-131 | 1 | |
| 12 | ----- | - | |
| 13 | 96-475 | 1 | |
| 14 | 52-548 | 1 | |
| 15 | 30-1445 | 1 | |
| 16 | 34-158 | 1 | |
| 17 | 98-234 | 1 | |
| 18 | 140-70 | 1 | |
| 19 | 16-73 | 1 | |
| 20 | 102-3753 | 1 | |
| 21 | 98-356 | 1 | |
| 22 | 102-3753 | 1 | |
| 23 | 98-356 | 1 | |
| 24 | 86-3090 | 1 | |
| 27 | 88-171 | 1 | |
| 28 | 96-156 | 1 | |

| REF. NO. | PART. NO. | QUANTITY | |
|----------|-----------|----------|------|
| | | BBA 520 | Note |
| 29 | 84-613 | 1 | |
| 30 | 82-75 | 1 | |
| 31 | 98-3249 | 1 | |
| 32 | 166-48 | 1 | |
| 33 | 144-77 | 1 | |
| 34 | 92-251 | 1 | |
| 35 | 95-526 | 1 | |
| 36 | 5-2782 | 1 | |
| 37 | ----- | - | |
| 38 | 188-12 | 1 | |
| 39 | 21-404 | 1 | |
| 40 | 090190 | 4 | |
| 41 | 96-578 | 4 | |
| 42 | 331650A | 1 | |
| 43 | D10-WAT | 1 | |
| 44 | 543910 | 1 | |
| 46 | 031350 | 2 | |
| 47 | 090830 | 2 | |
| 48 | 091630 | 2 | |
| 49 | 120270 | 1 | |
| 50 | 543940 | 1 | |
| 51 | 544200 | 1 | |
| 52 | 543930 | 1 | |
| 53 | 725350 | 1 | |
| 54 | 332270 | 1 | |
| 55 | 332260 | 1 | |

Fig. 3



| REF. NO. | PART. NO. | QUANTITY | | NOTE |
|----------|-----------|----------|--|------|
| | | BBA 520 | | |
| 1 | 541430 | 4 | | |
| 2 | 030650 | 1 | | |
| 3 | 030860 | 4 | | |
| 4 | 180230 | 1 | | |
| 5 | 541410 | 1 | | |
| 6 | 180220 | 1 | | |
| 7 | 541400 | 1 | | |
| 8 | 750890 | 1 | | |

| REF. NO. | PART. NO. | QUANTITY | |
|----------|-----------|----------|--|
| | | BBA 520 | |
| 1 | 752040 | 1 | |
| 2 | 721450 | 1 | |
| 3 | 723090 | 1 | |

